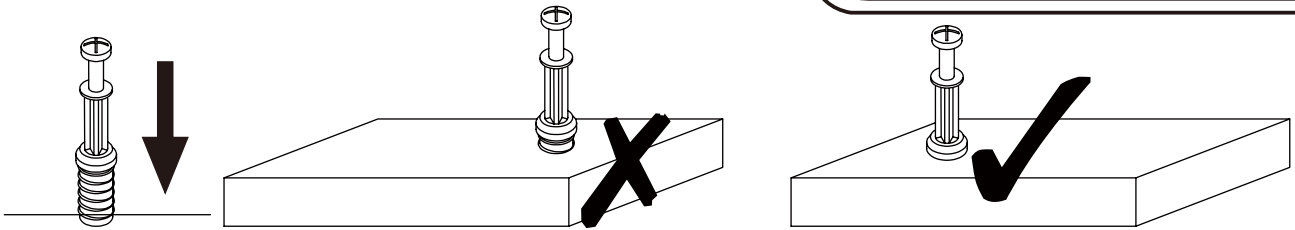
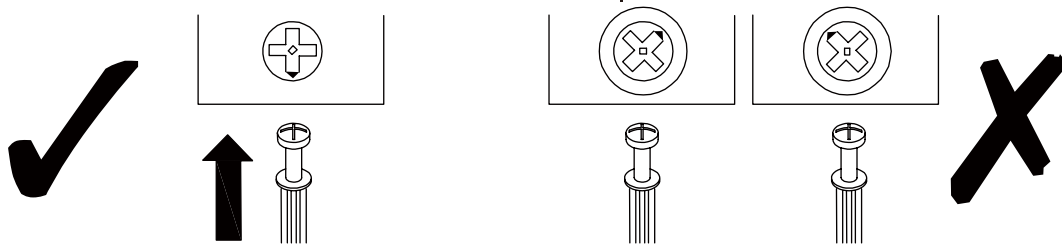


EN_IMPORTANT, RETAIN FOR FUTURE REFERENCE: READ CAREFULLY.

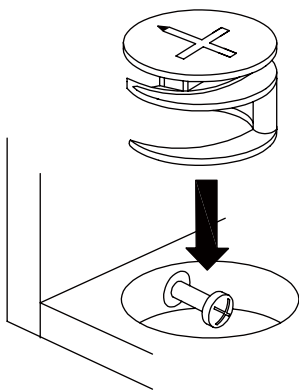
USING CAM LOCK AND QUICKFIT



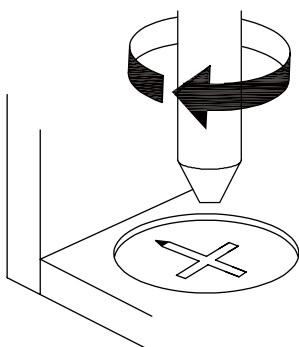
EN_QUICKFIT: Tighten quickfit until shoulder is flush with panel. Do not overtighten or undertighten.



EN_CAM LOCK: When fitting cam lock, ensure starting position is correct before you insert connecting quickfit.

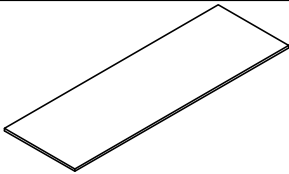
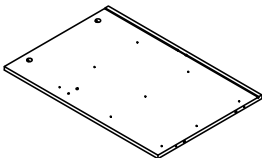
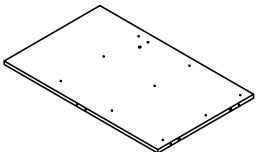
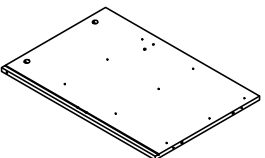
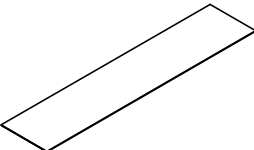
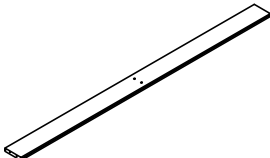
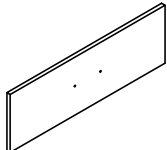
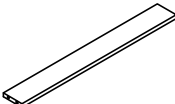
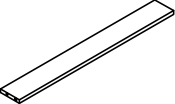
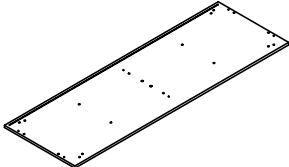



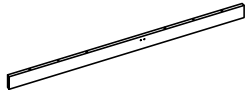
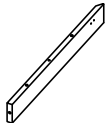
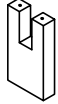
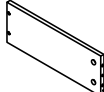
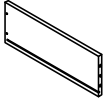
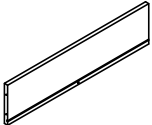
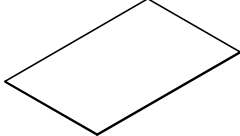

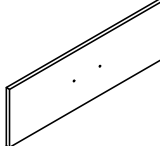
EN_Quickfit head should be in the centre of the cam lock when the two panels are joined.
Cam lock should be inserted before quickfit.



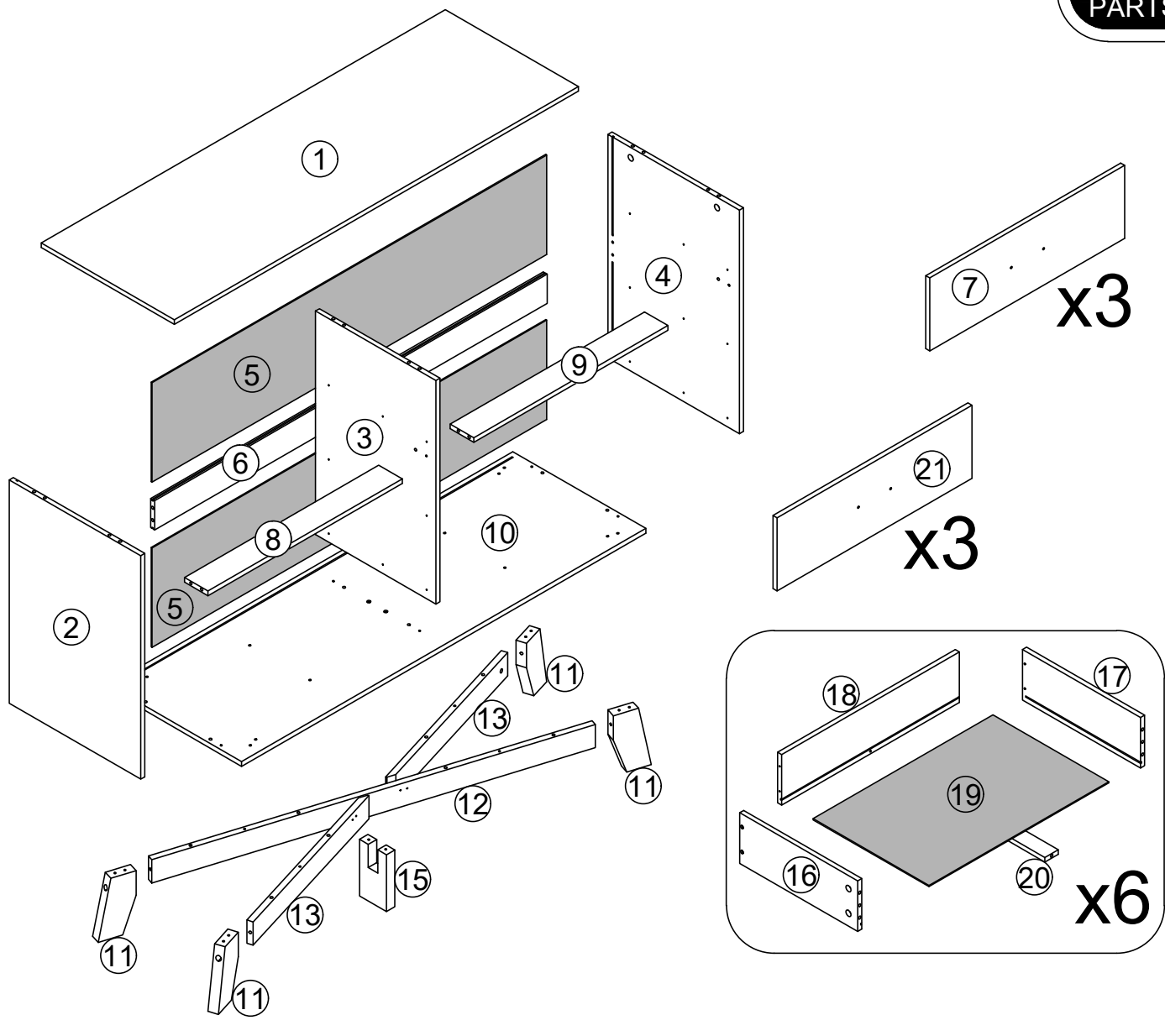
EN_Turn cam lock clockwise to tighten.

PACKING DELALS

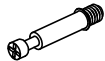






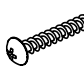







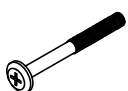
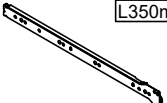

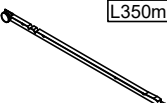
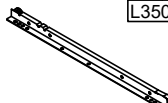
NO.	PARTS	QTY	SPARE
①		x1	
②		x1	
③		x1	
④		x1	
⑤		x2	
⑥		x1	
⑦		x3	
⑧		x1	
⑨		x1	
⑩		x1	

NO.	PARTS	QTY	SPARE
⑪		x4	
⑫		x1	
⑬		x2	
⑮		x1	
⑯		x6	
⑰		x6	
⑱		x6	
⑲		x6	
⑳		x6	
㉑		x3	

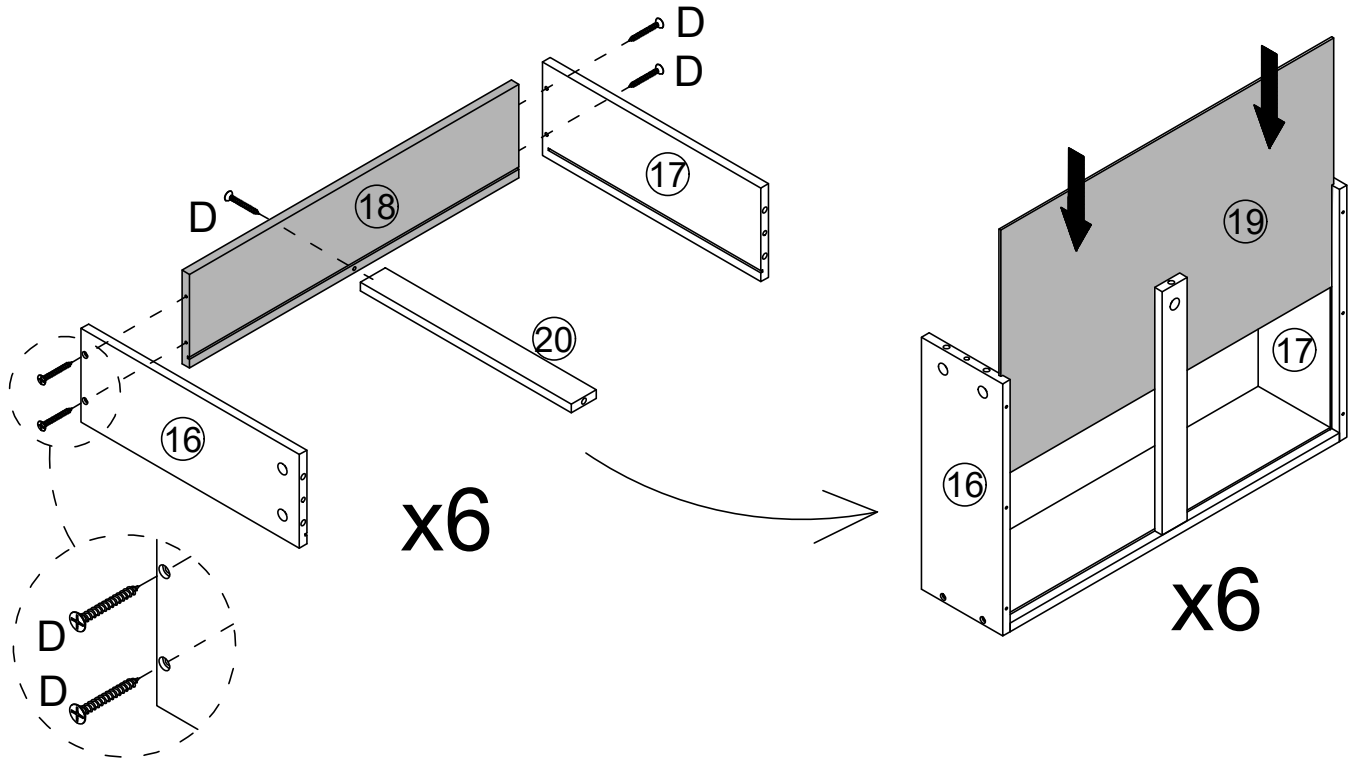
PARTS



HARDWARE

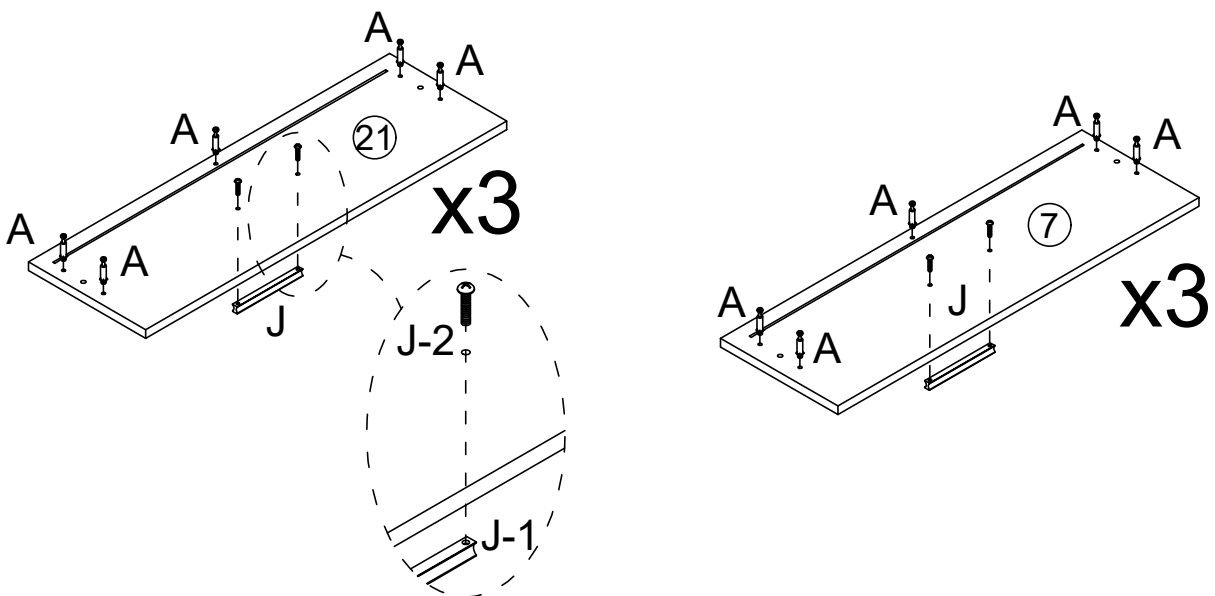
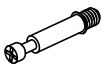
 <p>A x39 Ø6x35mm +3(spare)</p>	 <p>B x39 Ø15x10mm +3(spare)</p>	 <p>C x36 Ø6x30mm +3(spare)</p>	 <p>D x45 Ø4x35mm +3(spare)</p>	 <p>E x72 Ø3.5x12mm +3(spare)</p>	 <p>F x4</p>
 <p>G x16 Ø3.5x12mm +2(spare)</p>	 <p>H x14 Ø5x35mm +1(spare)</p>	 <p>I x1</p>	 <p>J x6 J-1 J-2</p>	 <p>K x2 Ø4x14mm K-1 K-2</p>	 <p>L x10 Ø3x16mm +1(spare) L-1 L-2</p>
 <p>M x2 Ø6x30mm</p>	 <p>N x8 +1(spare)</p>	 <p>O x4 Ø10x10mm</p>	 <p>P x4 Ø6x80mm</p>		
 <p>CL x6 L350mm</p>	 <p>CR x6 L350mm</p>	 <p>DL x6 L350mm</p>	 <p>DR x6 L350mm</p>		

D x30



A x30

J x6



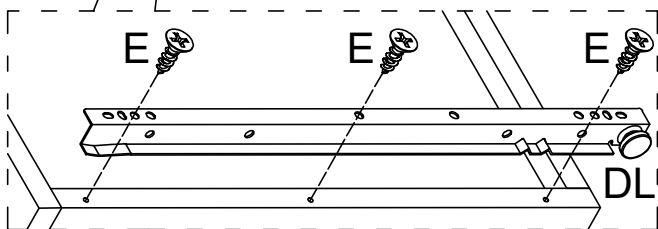
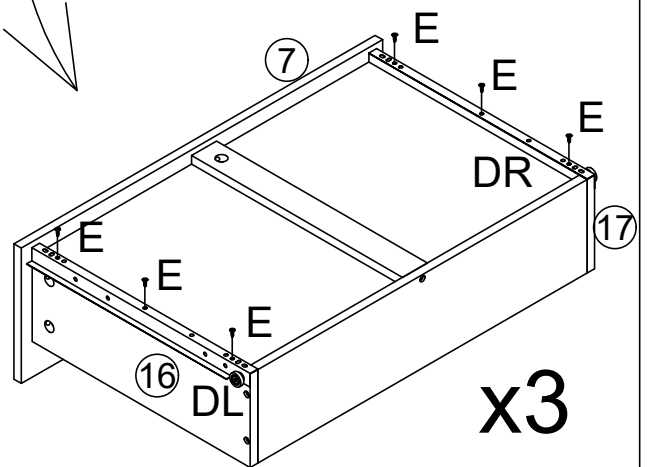
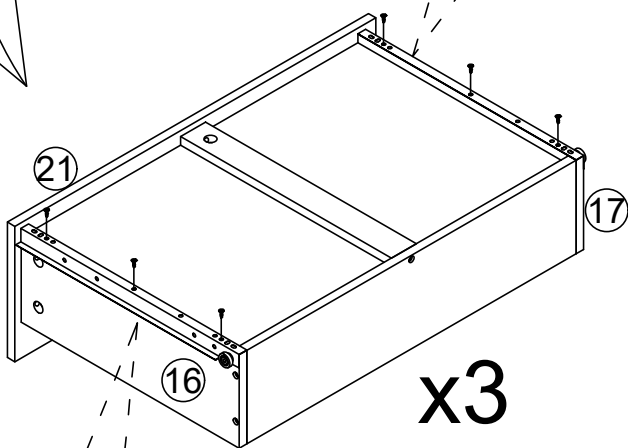
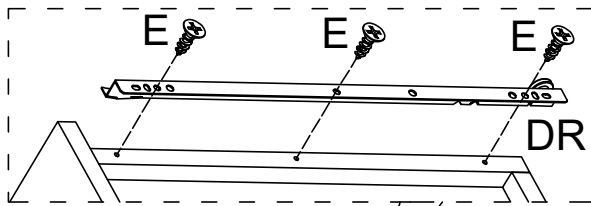
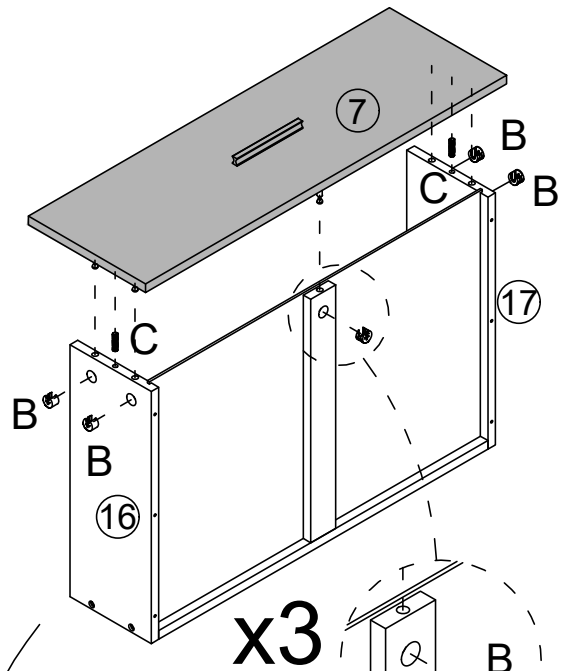
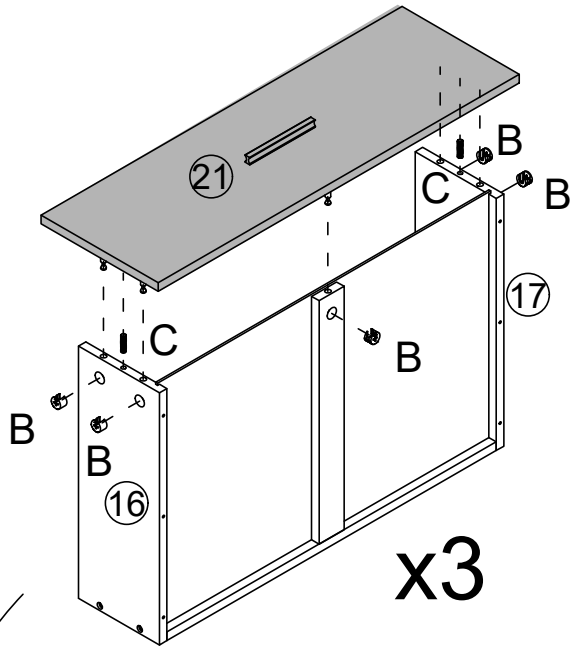
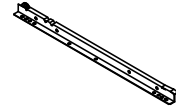
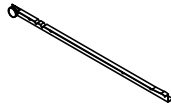
B x30

C x12

E x36

DL x6

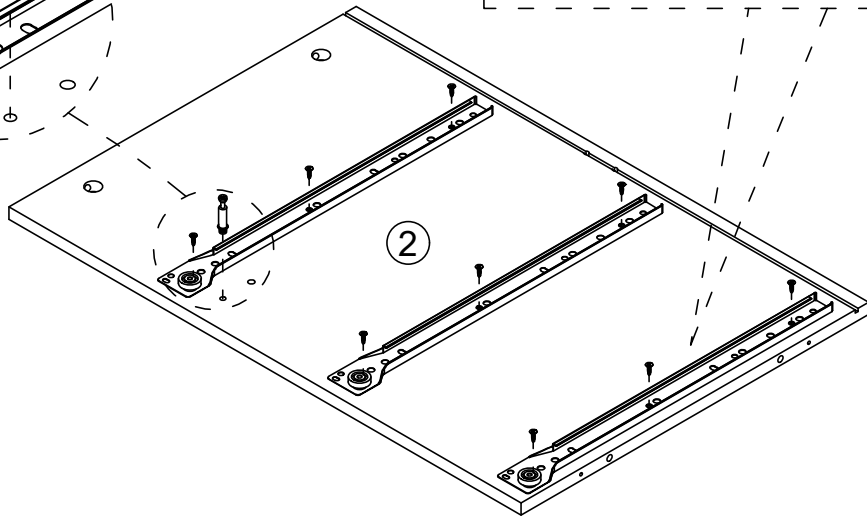
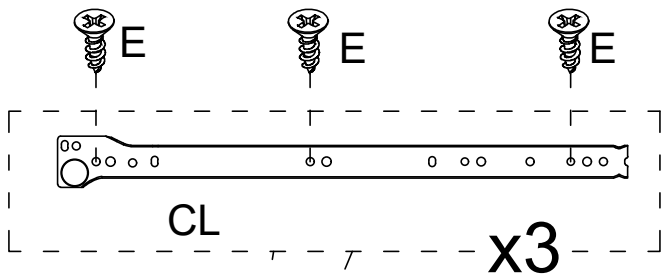
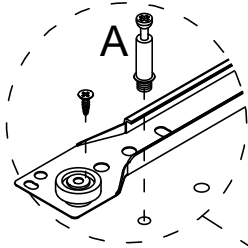
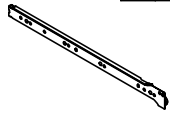
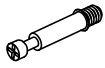
DR x6



A x1

E x9

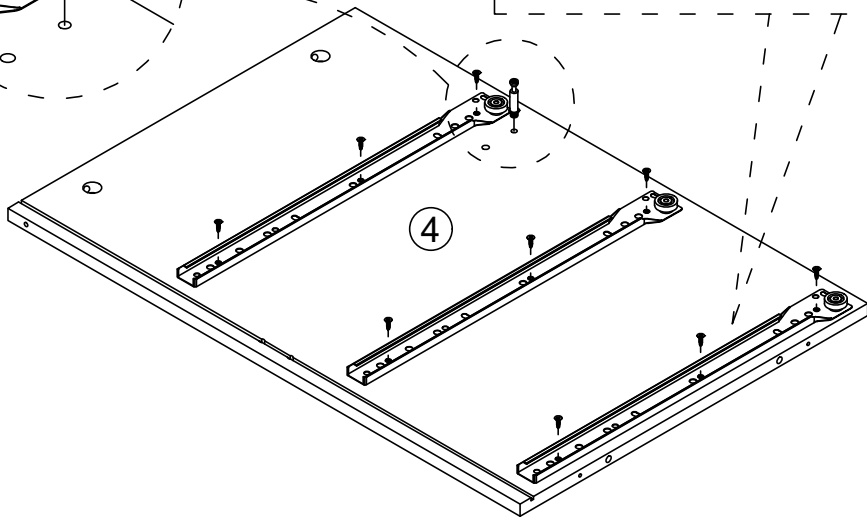
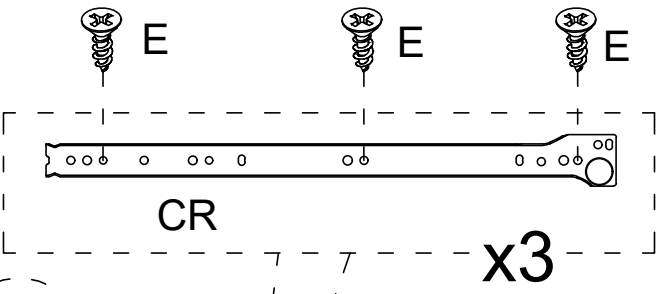
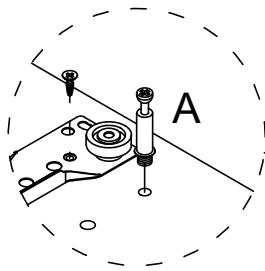
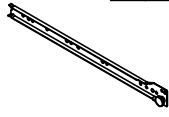
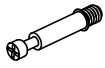
CL x3



A x1

E x9

CR x3

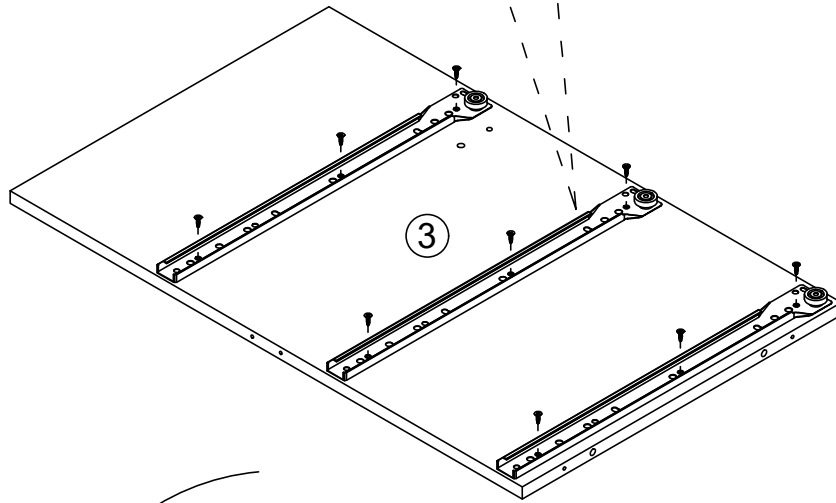
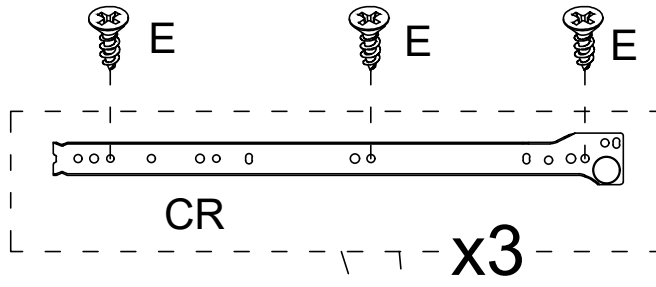
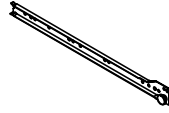
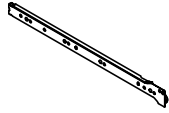
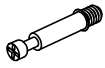


A x1

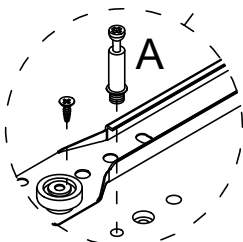
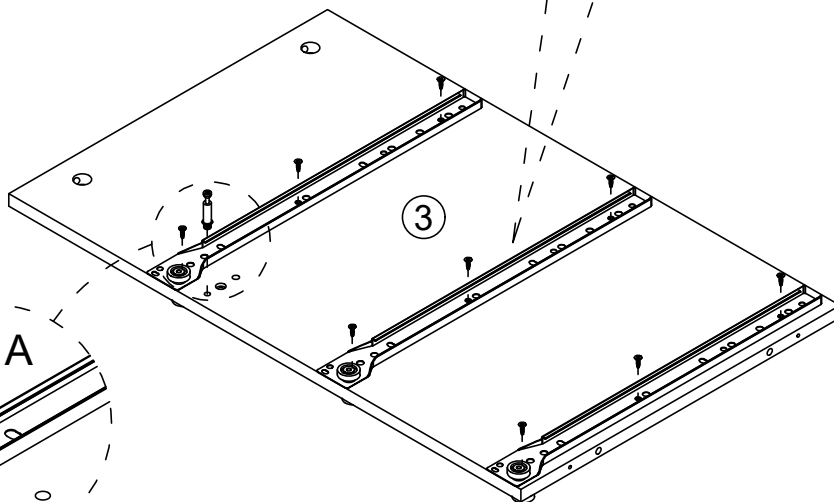
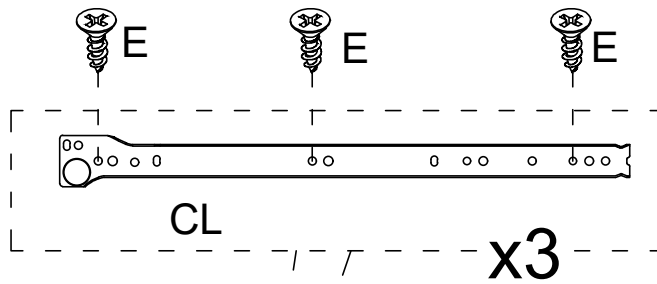
E x18

CL x3

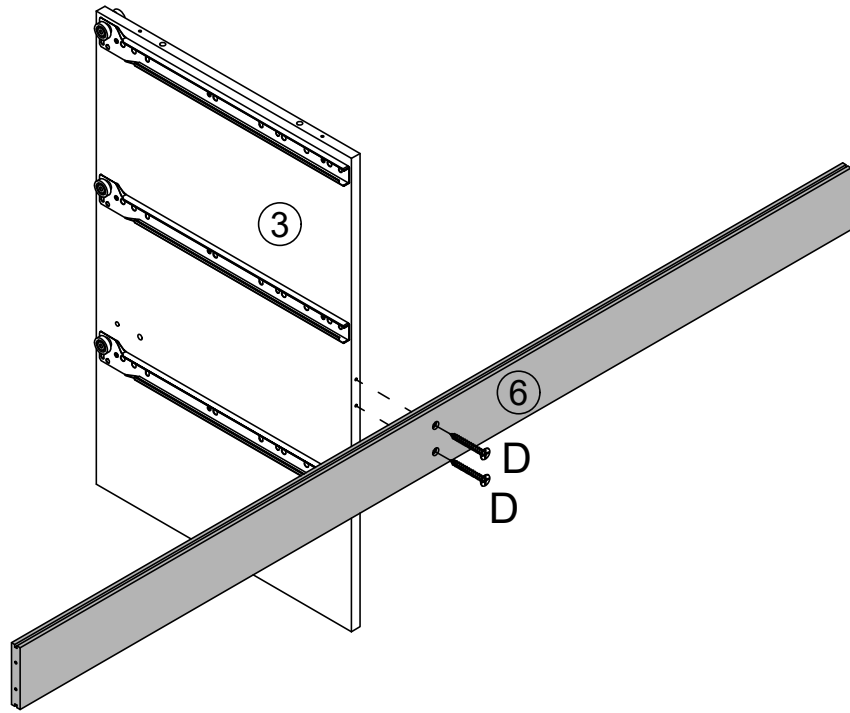
CR x3



180°



D x2



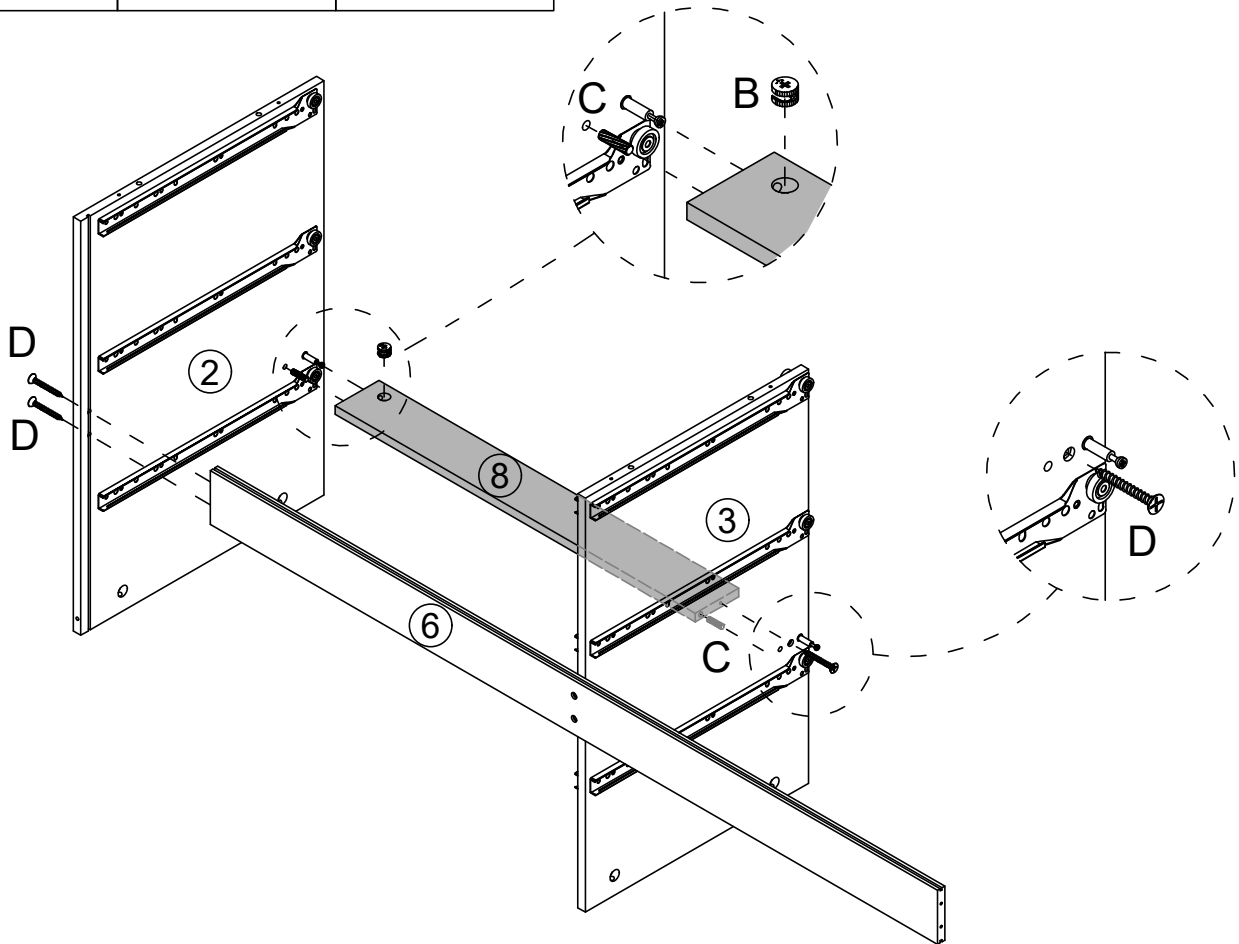
B x1



C x2



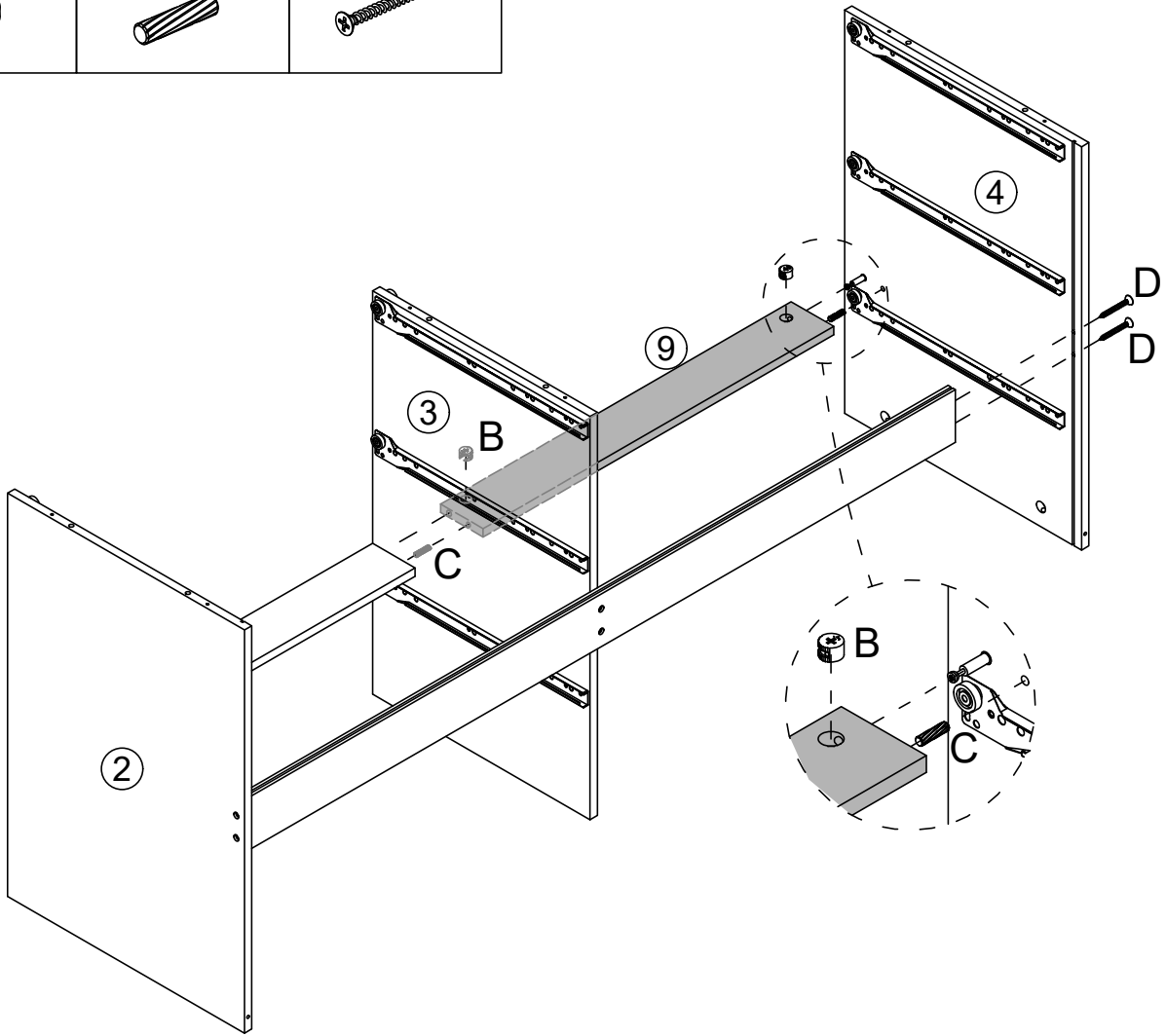
D x3



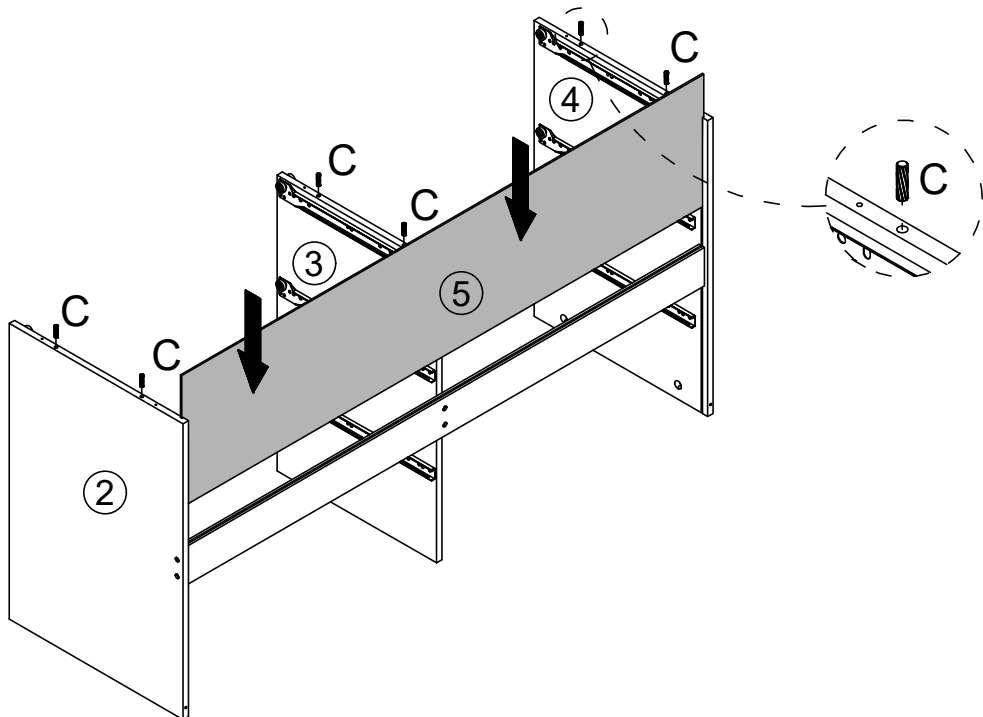
B x2

C x2

D x2



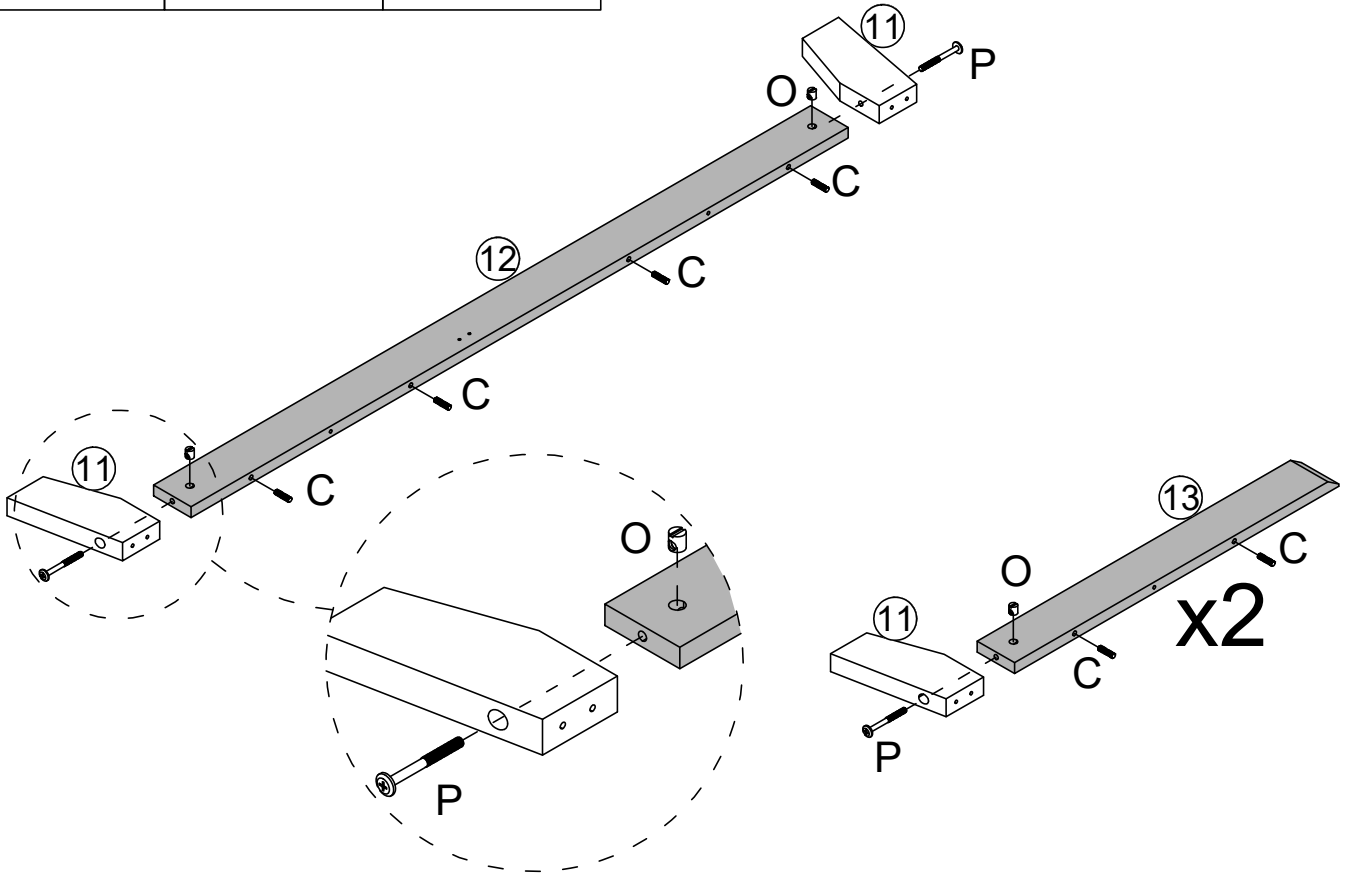
C x6



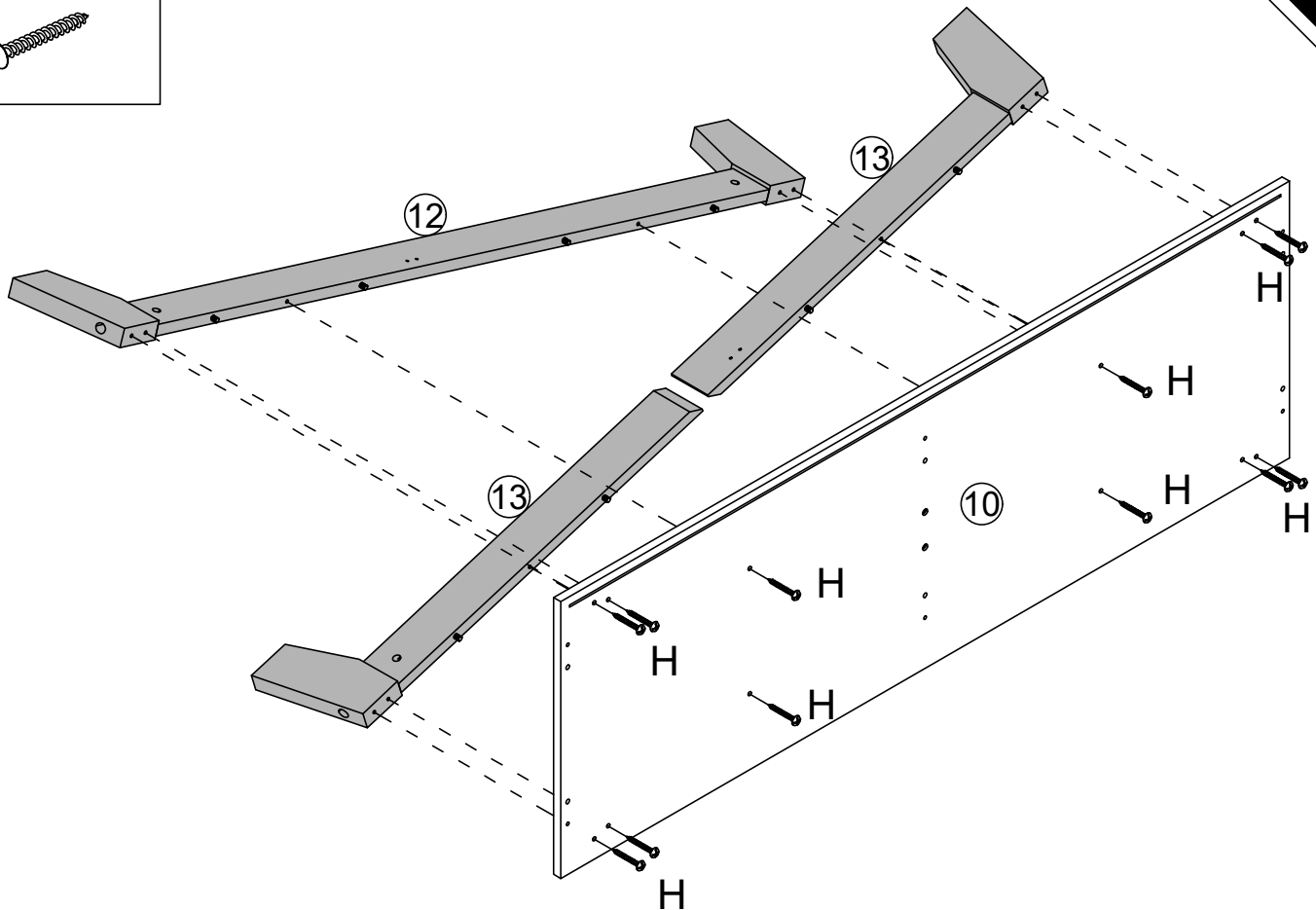
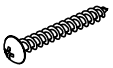
C x8

O x4

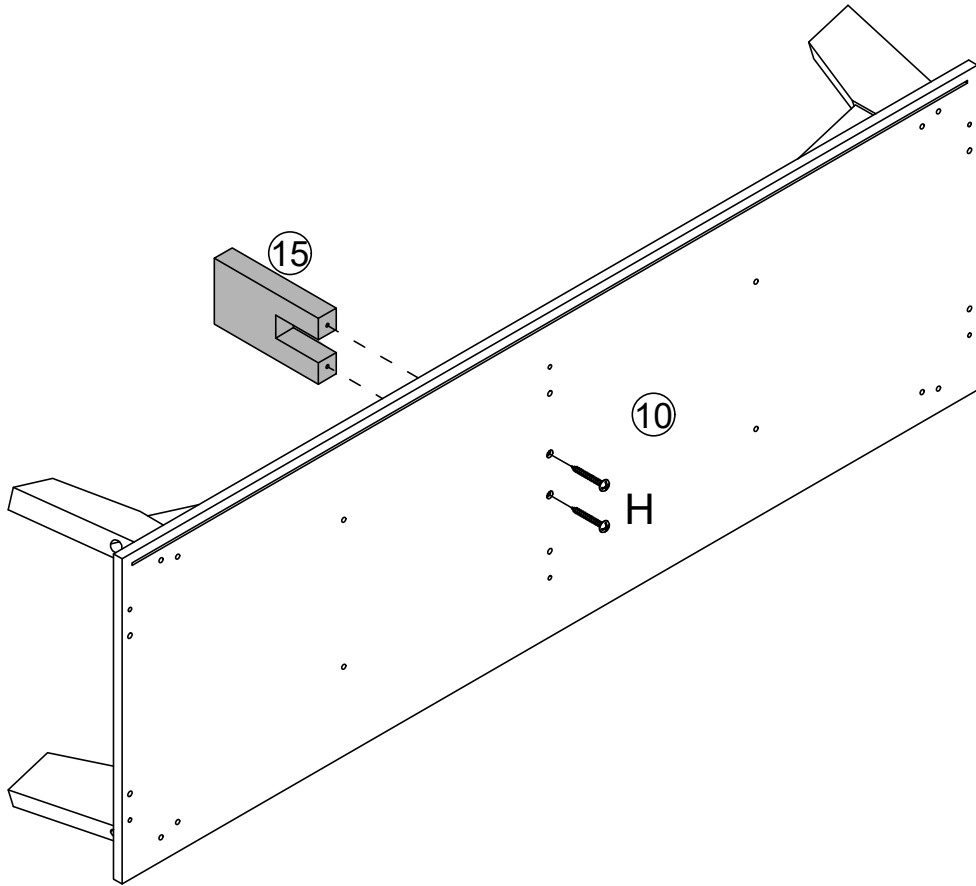
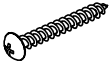
P x4



H x12



H x2



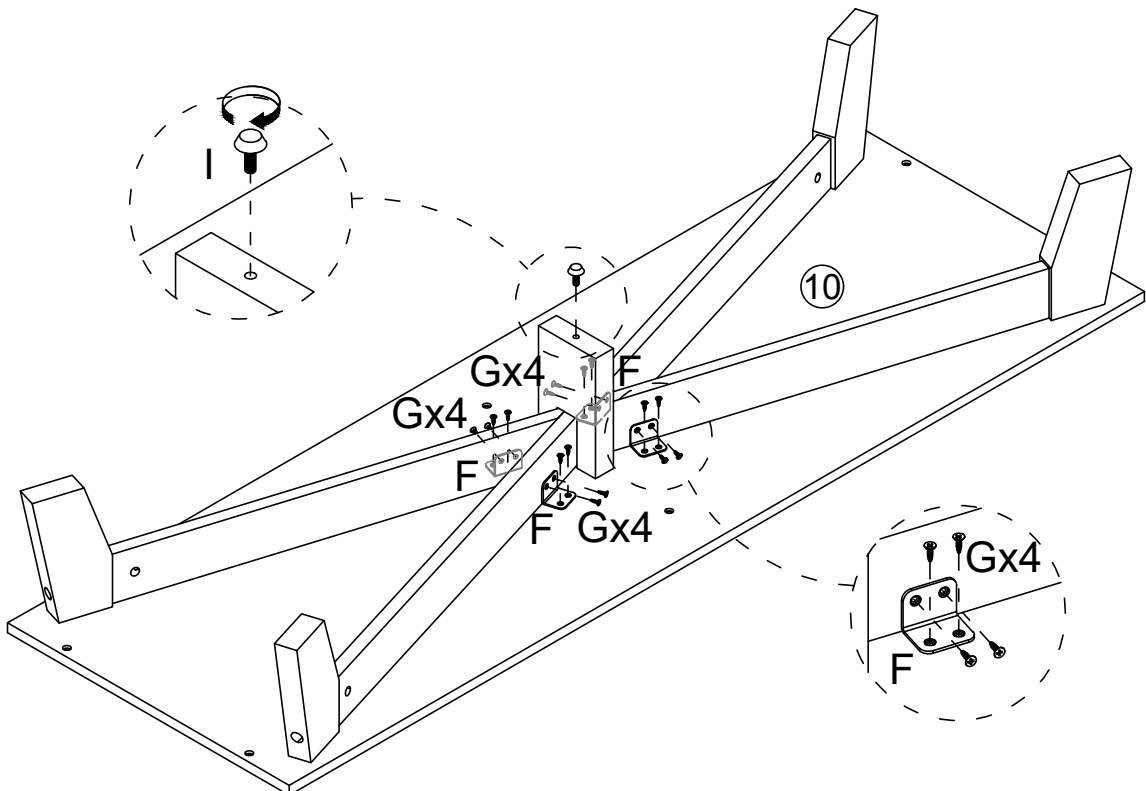
F x4

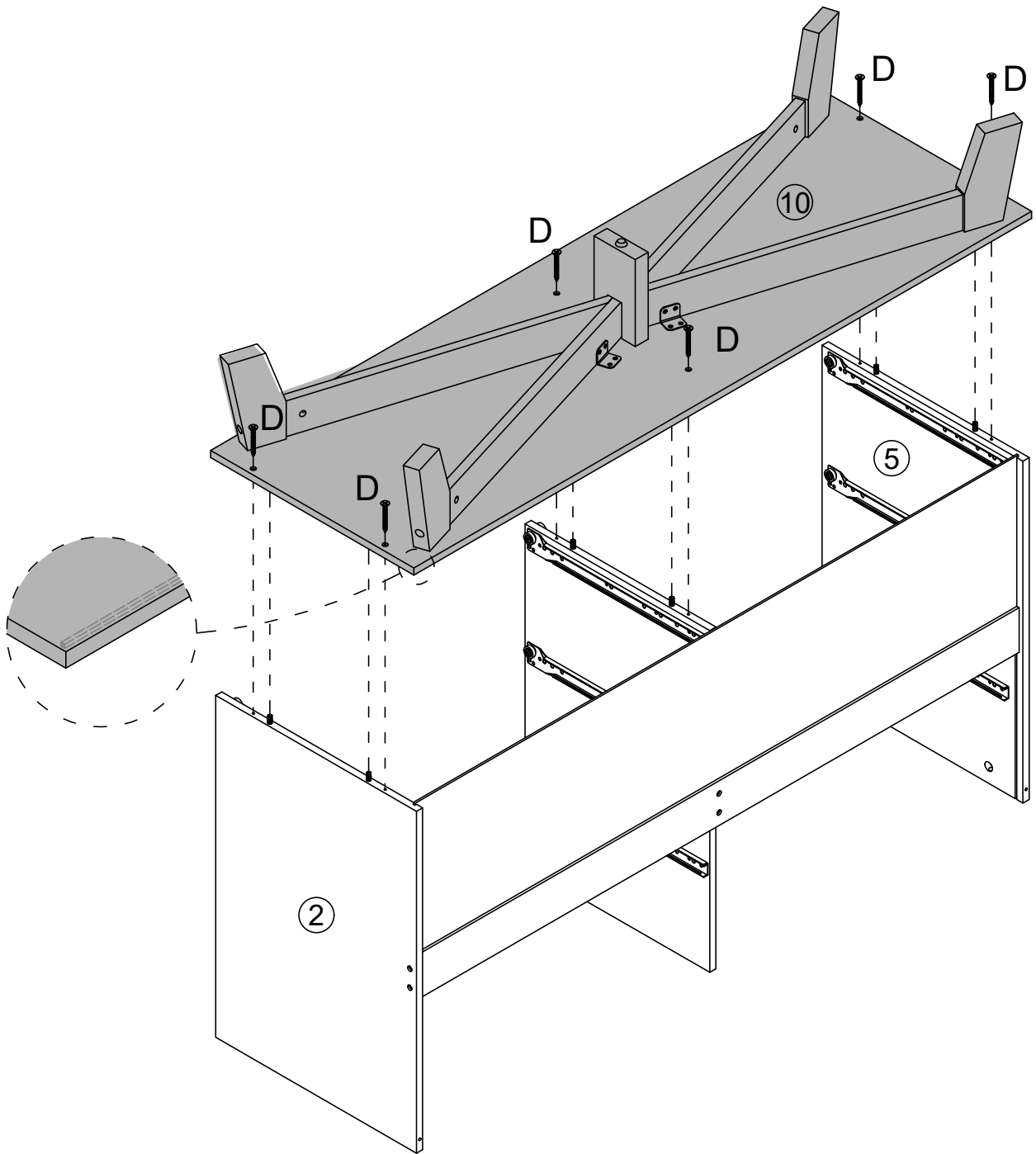


G x16



I x1

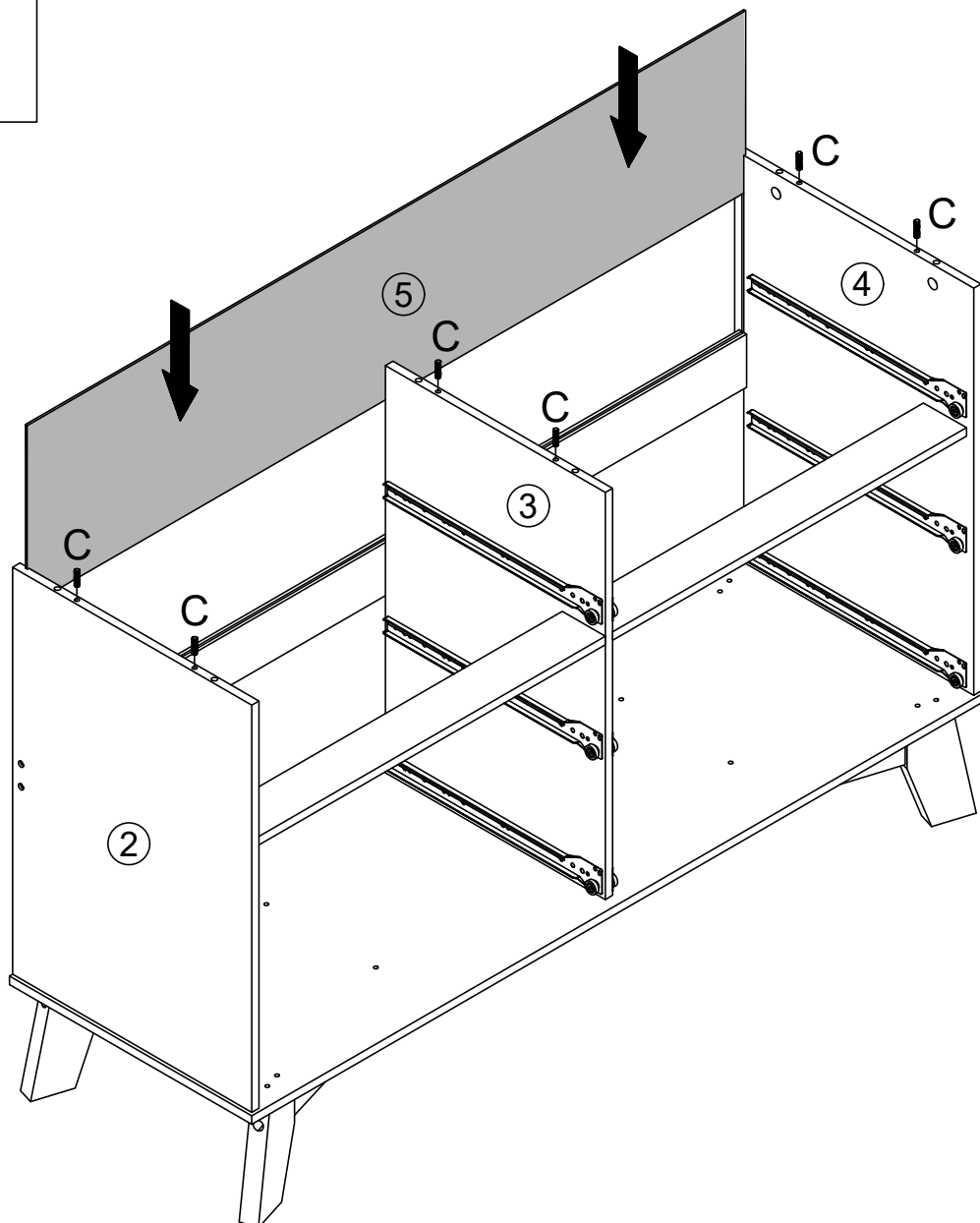




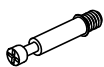
C x6



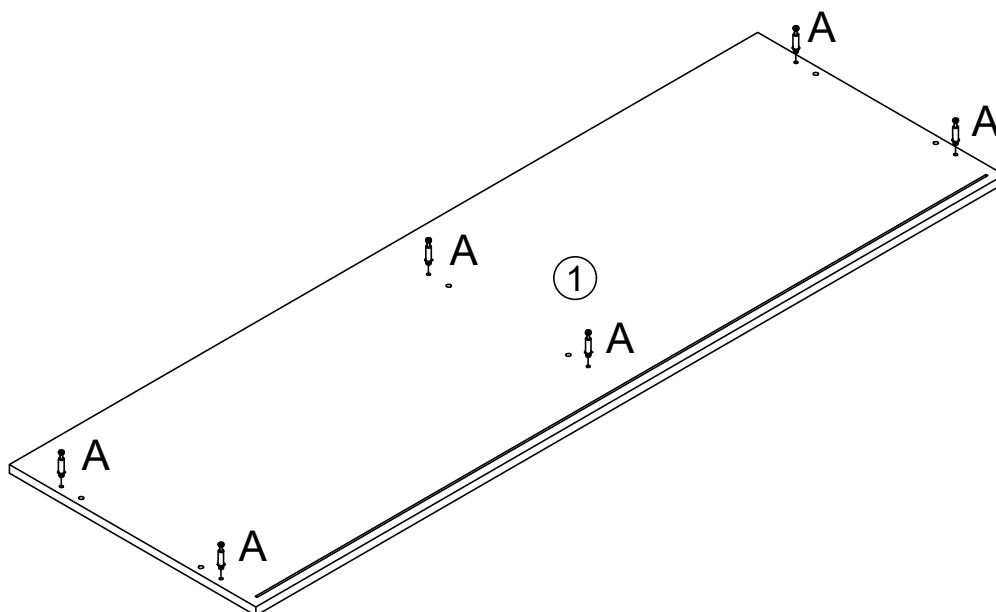
16

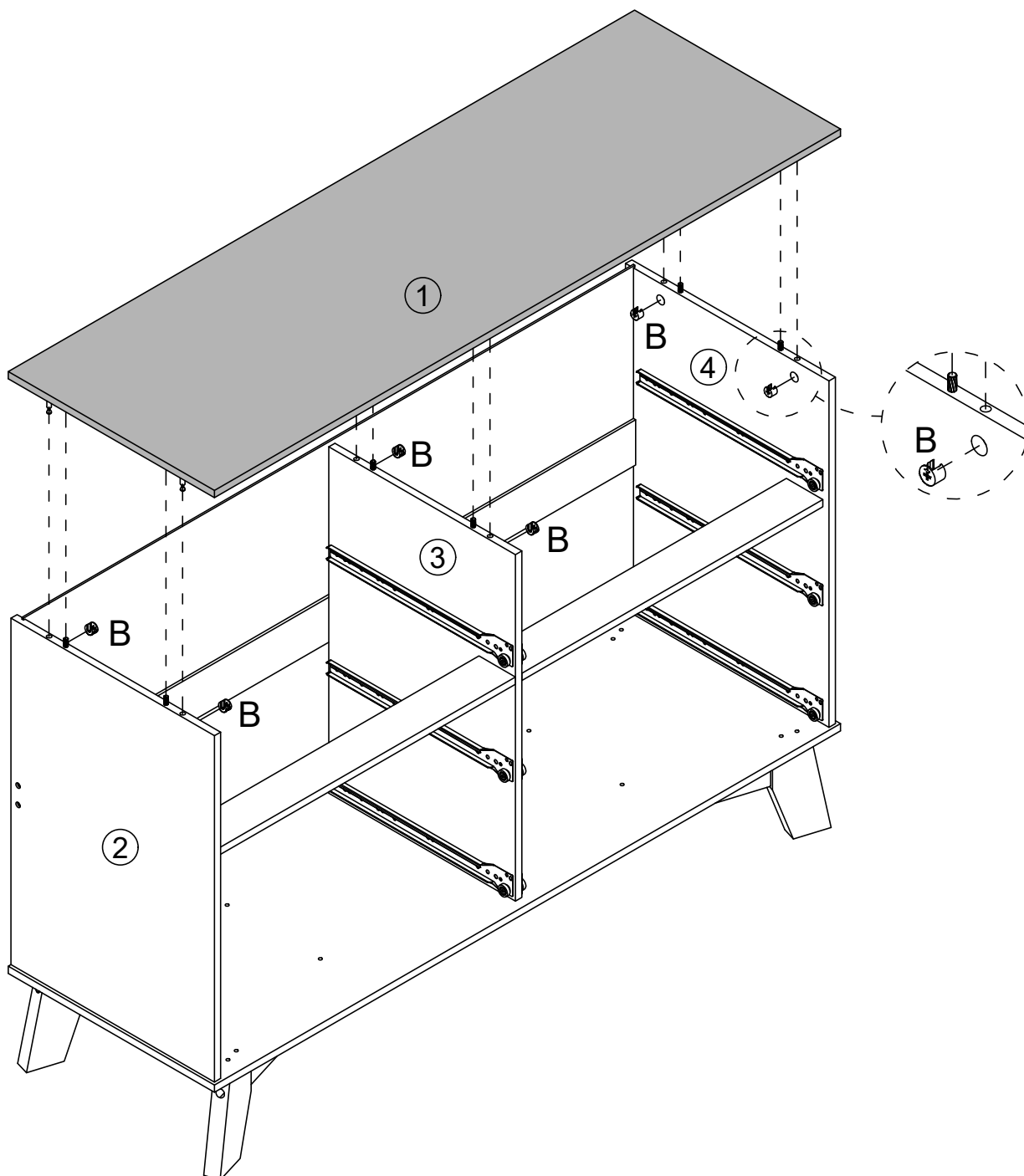


A x6



17





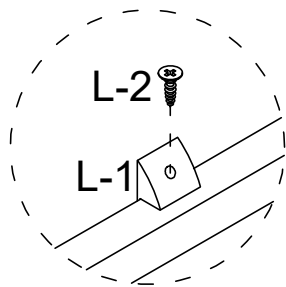
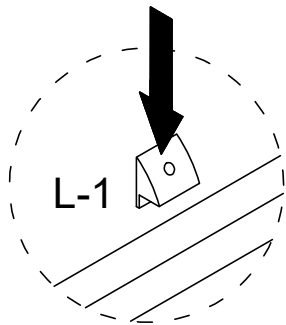
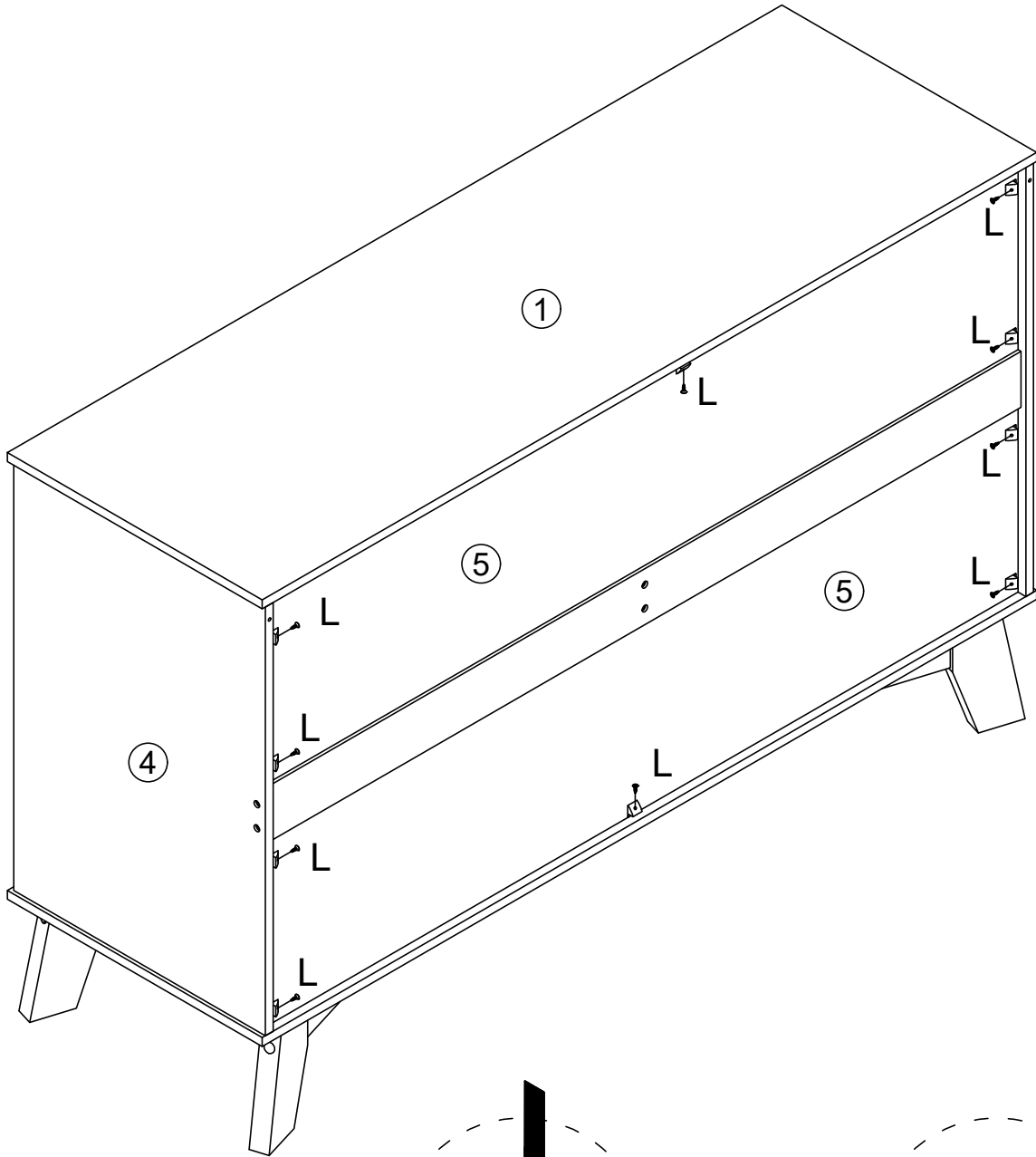
L x10

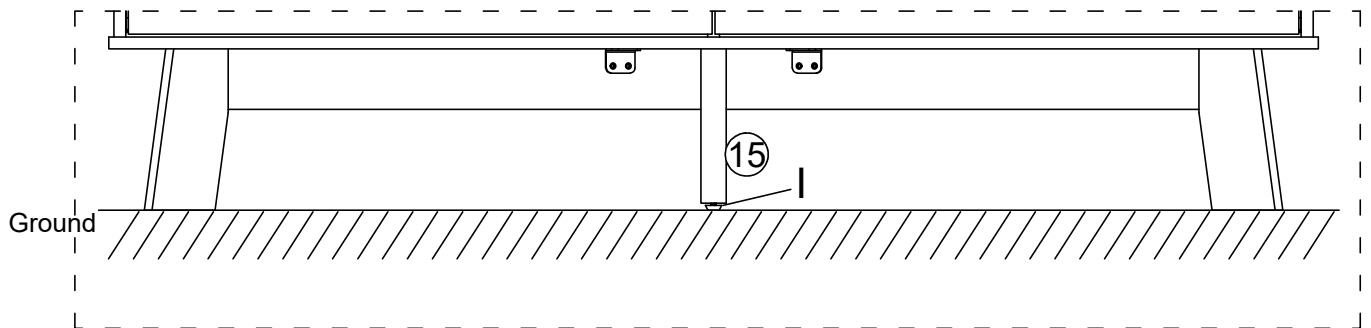
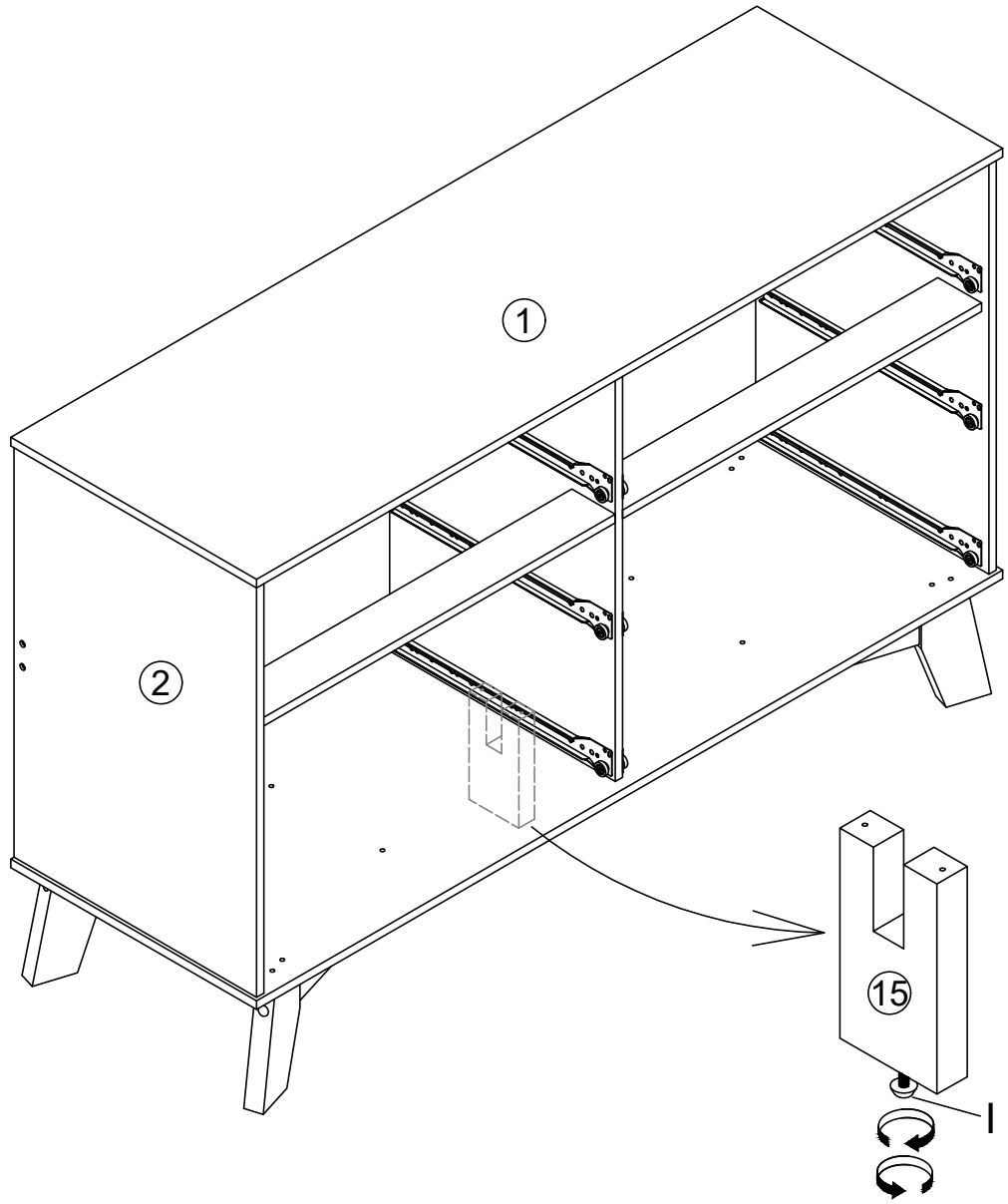


L-1

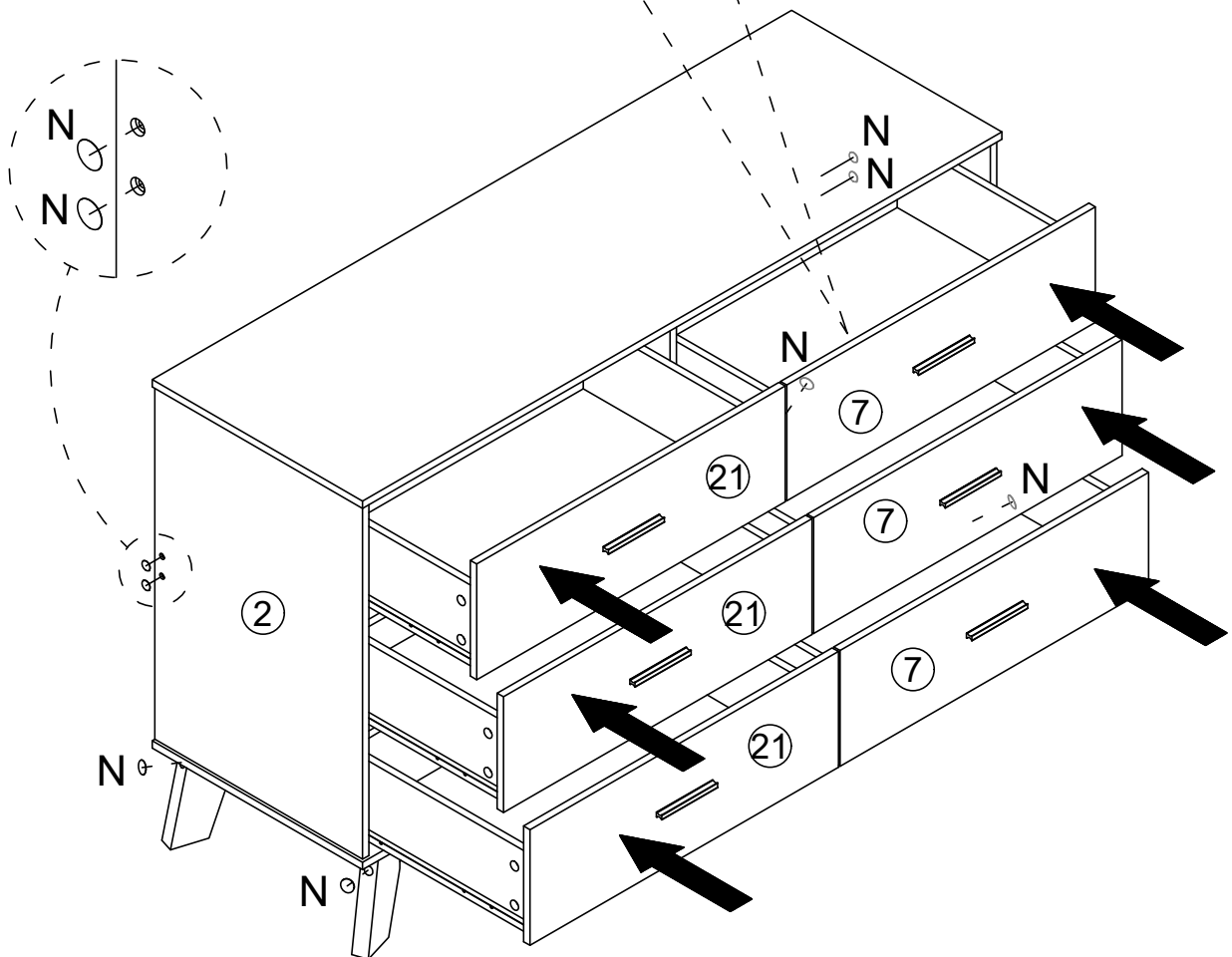
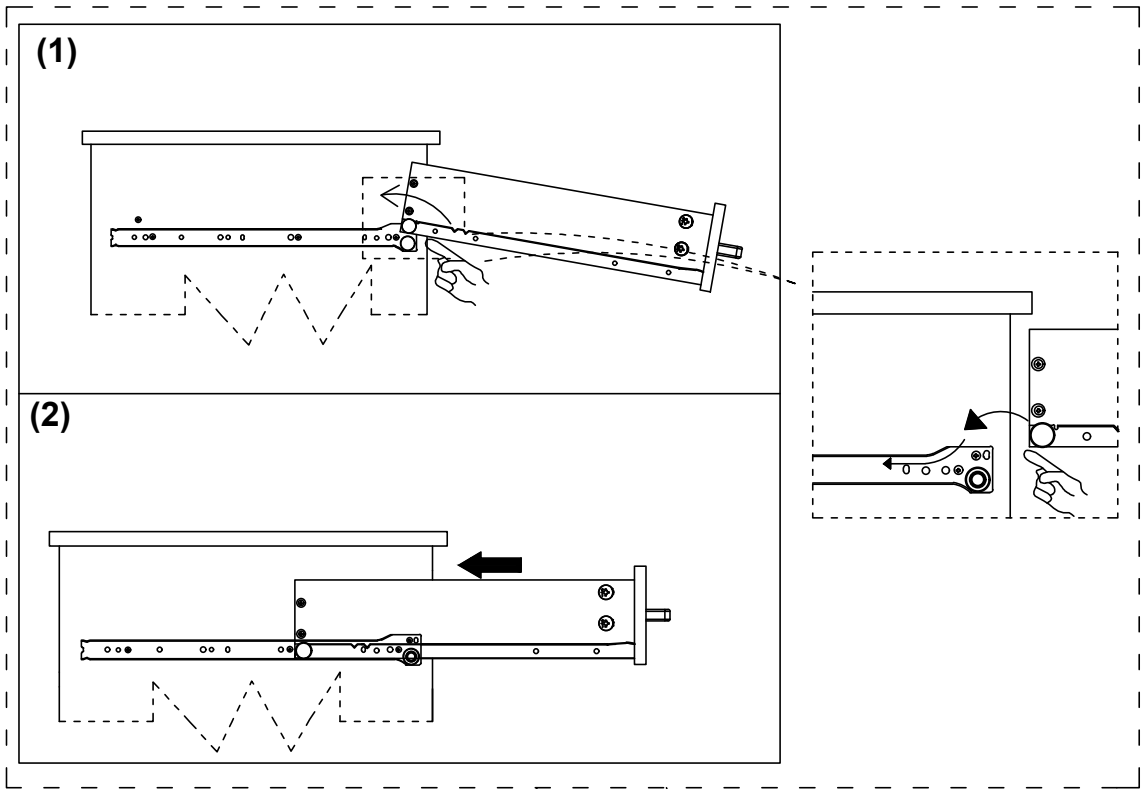


L-2





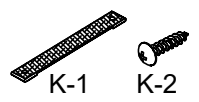
If the cabinet is unstable with the ground, please rotation control the foot fitting (I)



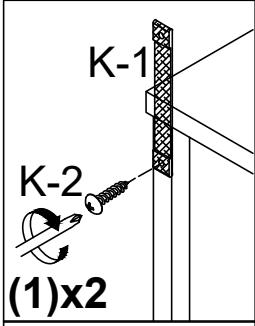
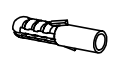
D x2



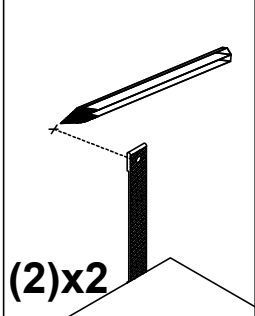
K x2



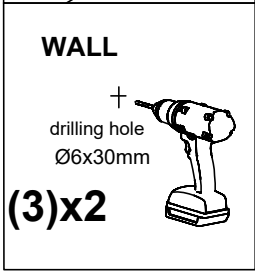
M x2



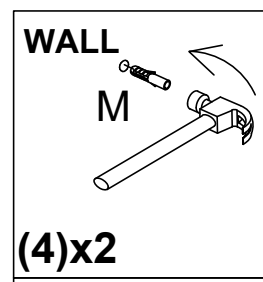
First fix the anti-rewind screw in the reserved hole of the product.



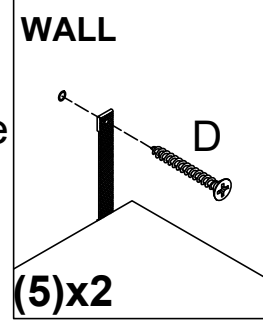
then, use a ruler to measure the approximate height of the product on the wall, and then mark it with a pen.



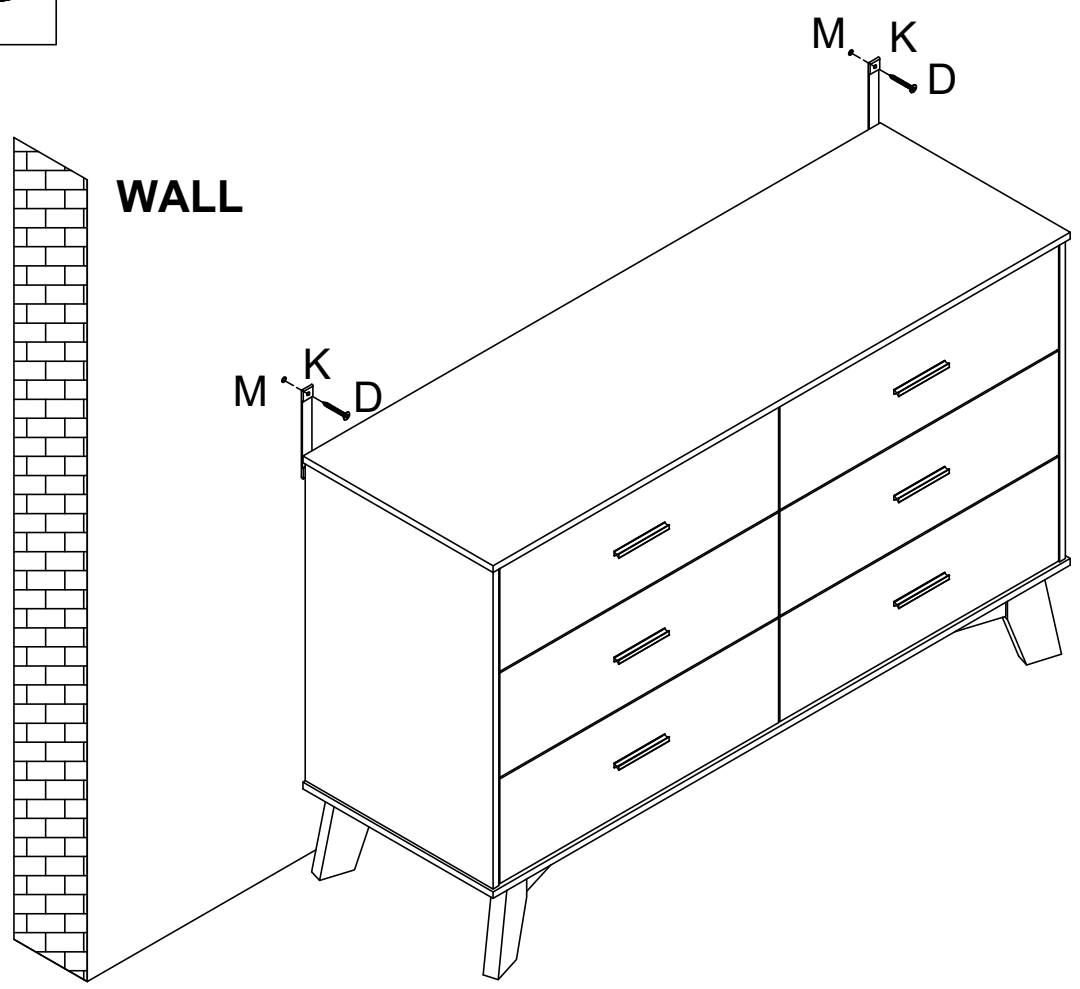
Then use a tape drill to make holes in the wall that are suitable for the product screws.

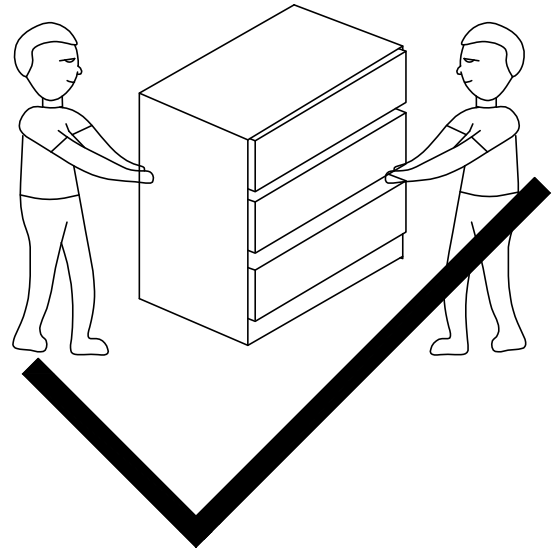


Then, put the expansion bolt into the hole



Finally, pass the matching screws through the "anti-rewind" and tighten them to fix them on the wall.





WARNING

Do not push the furniture violently during the moving process, otherwise there will be a risk of tipping and damage, which is unsafe behavior. Moving furniture after assembly requires two or more people to lift it.