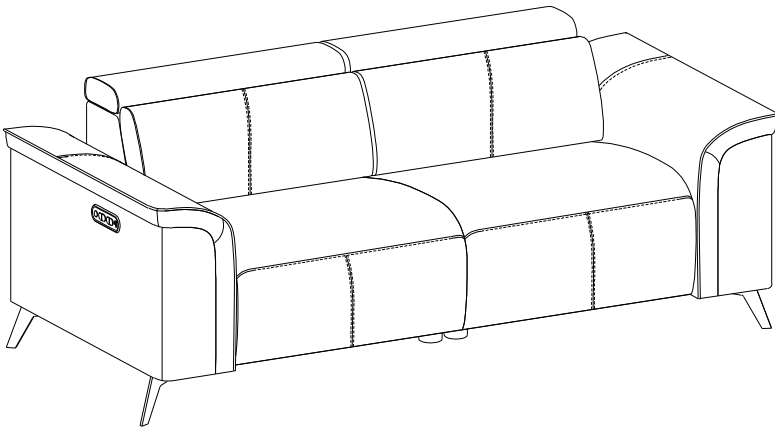


HULALA

H O M E



ITEM NO.SFJL1251D

NOTE: This brochure contains **IMPORTANT** safty info.
Please read and keep for future reference.

MAINTAINANCE AND WARNING

1. We suggest you spend a short time reading through this leaflet and then follow the simple step-by-step instructions.
2. Carefully check that you have all the parts before beginning assembly.
3. Keep fittings out of children's reach and keep children well away from construction area
4. We suggest you retain these instructions for future reference.
5. Keep furniture away from heat sources.
6. Do not clean furniture with harsh cleaner or polishes.
7. Do not use detergents, solvents, abrasives, spray packs or leather cleaner.
8. Use non-color mild soap with warm water to clean spills (Mix 1:10 soap to water).
9. Do not place furniture under direct sunlight, material will possibly fade over time.
10. Do not use on site dry cleaning machine.
Children should not climb or jump on the furniture.
11. Do not write on furniture that is not protected by a padded barrier.
12. Not for commercial use, only for residential use.

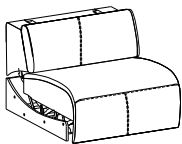


Weight Limitation

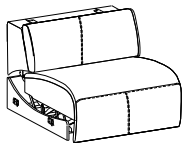
900 LBS

PARTS LIST

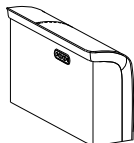
Box-A

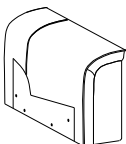
A	x1
	
Seat cushion	

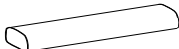
Box-B


B	x1
	
Seat cushion	

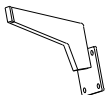
Box-C

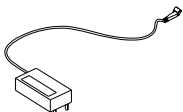
C	x1
	
Right armrest	


D	x1
	
Left armrest	

E	x2
	
Headrest	

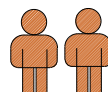
F	x8
	
Legs	

G	x4
	
Metal legs	

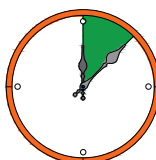
H	x1
	
Power adapter	

I	x1
	

Tools needed








Two persons



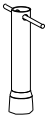


Around 45min






HARDWARE LIST

#1	x8	#2	x16	#3	x8	#4	x8	#5	x8
									
Ø8x100mm		Ø6x15mm		Ø6x30mm		Ø8x15mm		Ø8	
Bolt		Bolt		Bolt		Flst wrasher		Nut	

TOOL LIST

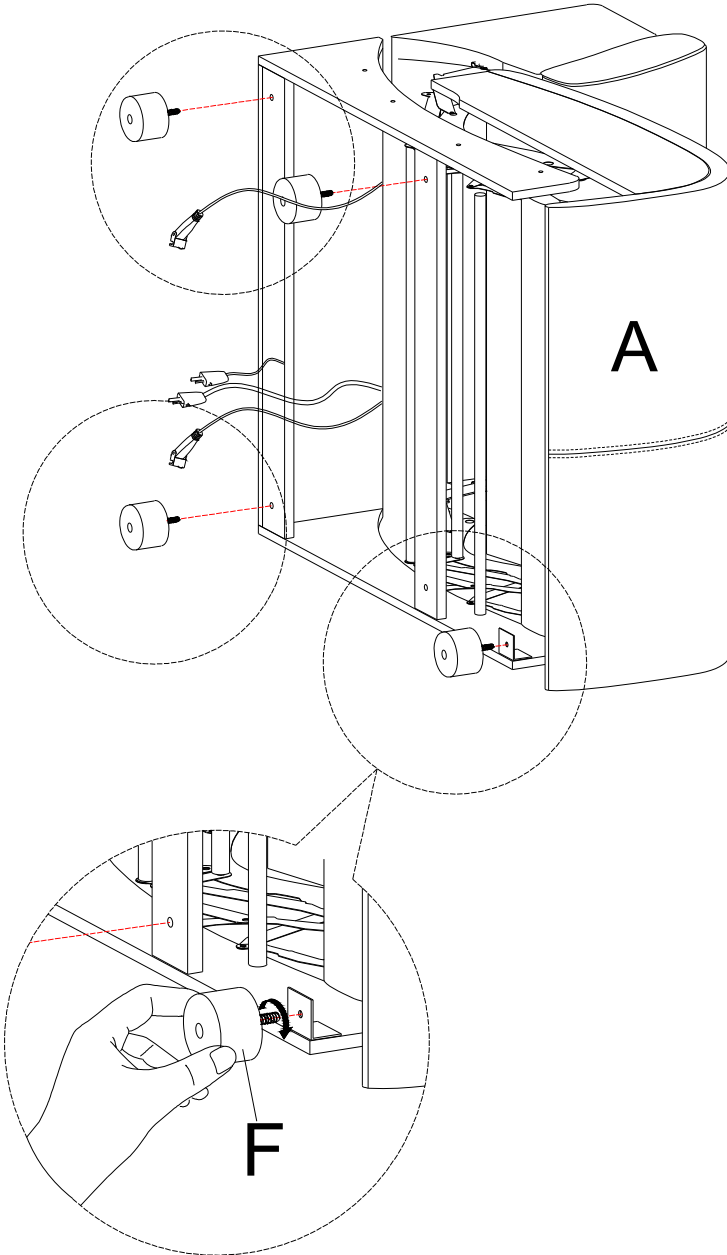
#6	x1	#7	x1	#8	x1
					
M6		M4			

HARDWARE SPARE LIST

#1	x1	#2	x1	#3	x1	#4	x1	#5	x1
									
Ø8x100mm		Ø6x15mm		Ø6x30mm		Ø8x15mm		Ø8	
Bolt		Bolt		Bolt		Flst wrasher		Nut	

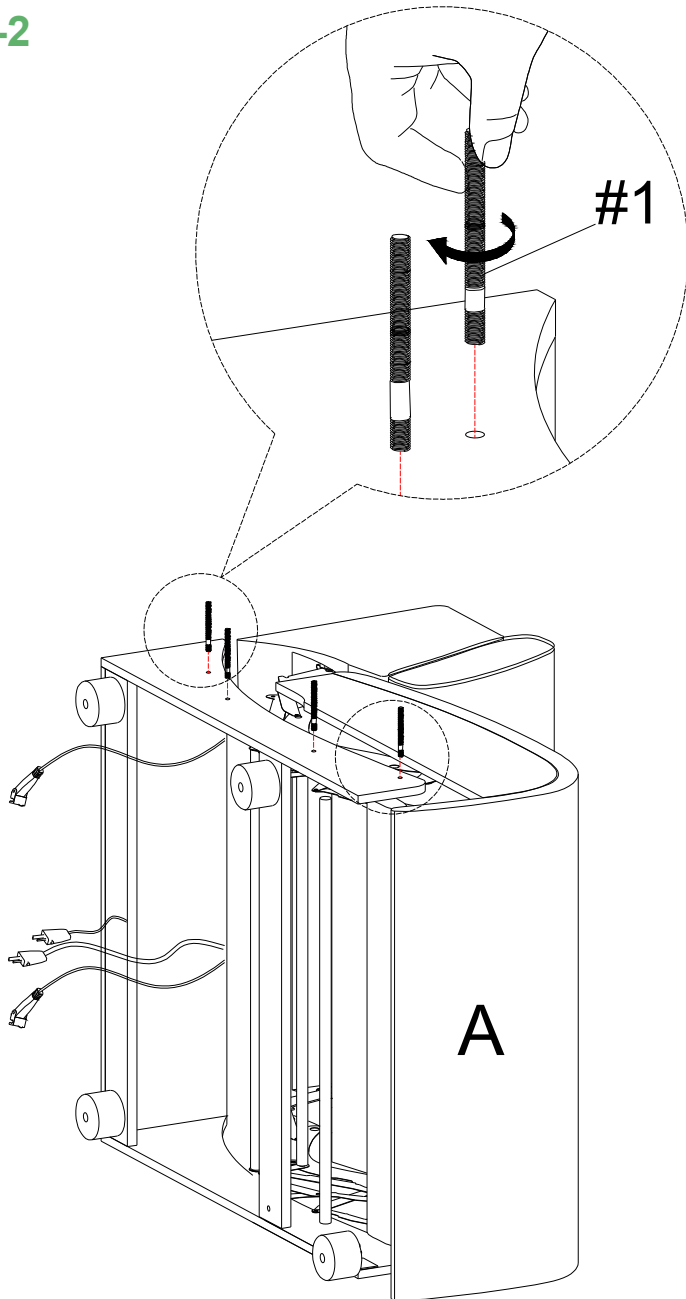
ASSEMBLY INSTRUCTIONS


STEP-1



ASSEMBLY INSTRUCTIONS


STEP-2




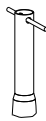
#1	x4
	
Ø8x100mm	
Bolt	

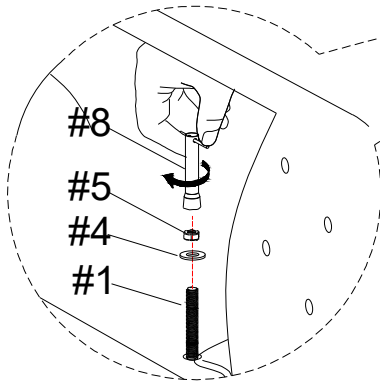
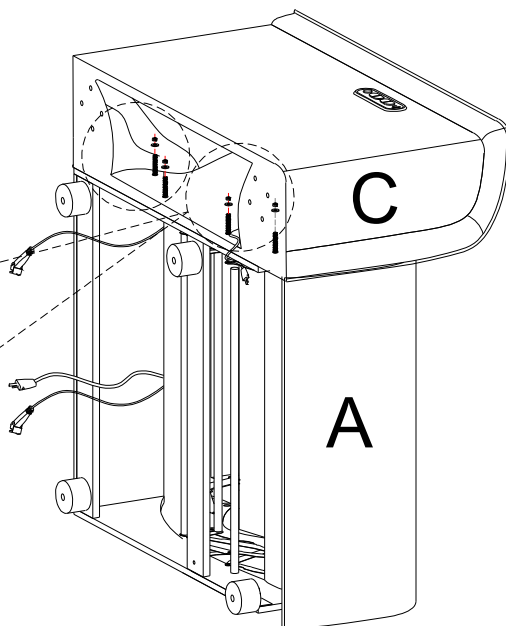
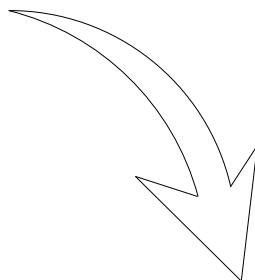
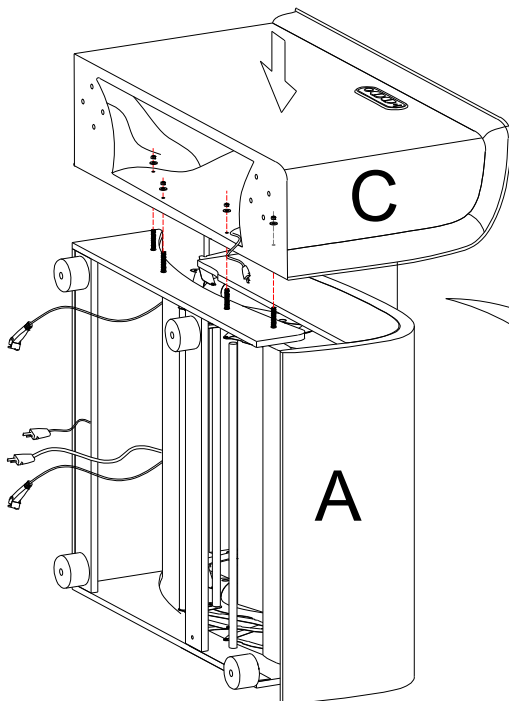
ASSEMBLY INSTRUCTIONS

STEP-3

#4	x4
	
Ø8x15mm	
Flst washer	

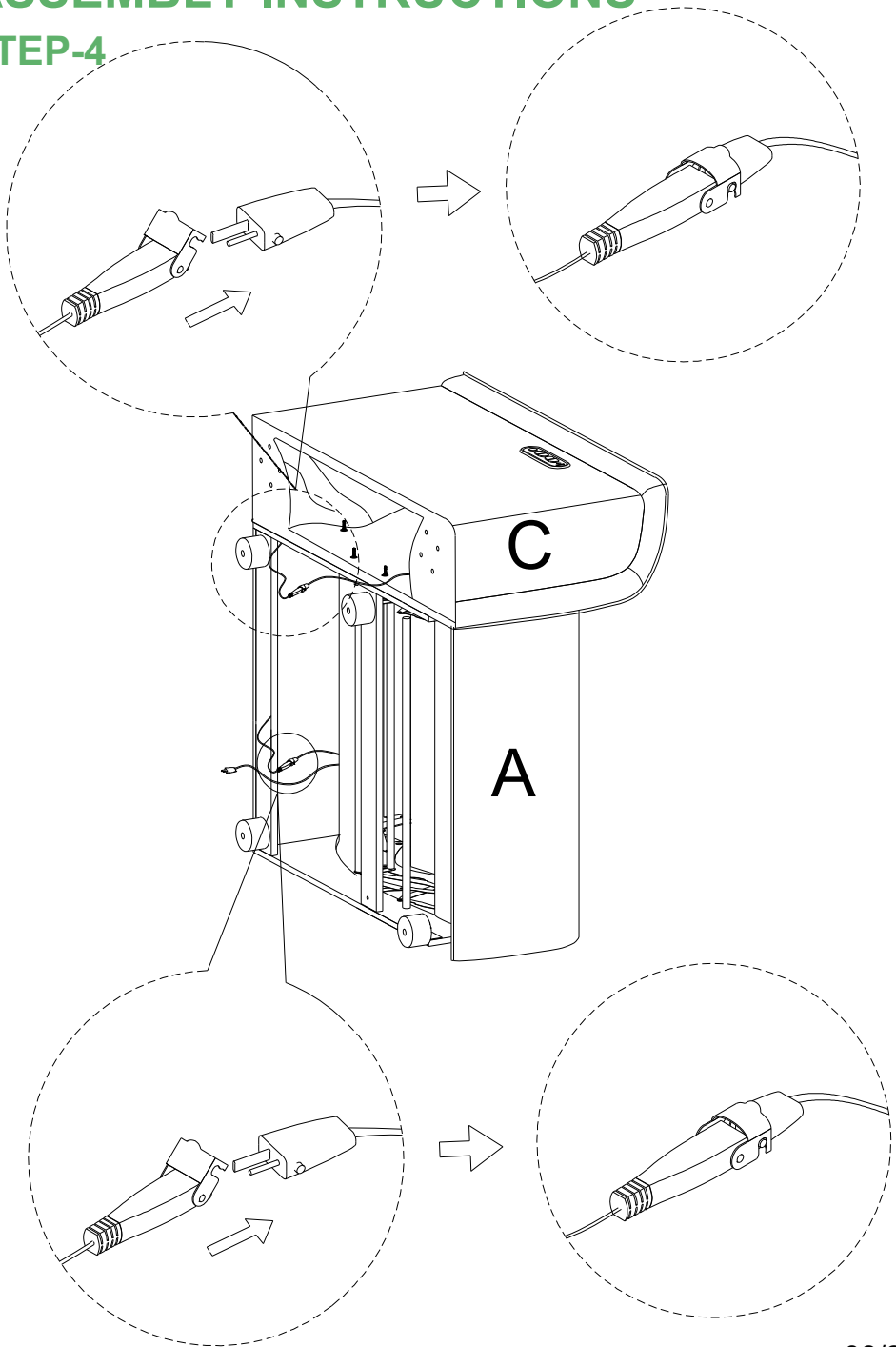
#5	x4
	
Ø8	
Nut	

#8	x1
	



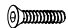
ASSEMBLY INSTRUCTIONS


STEP-4

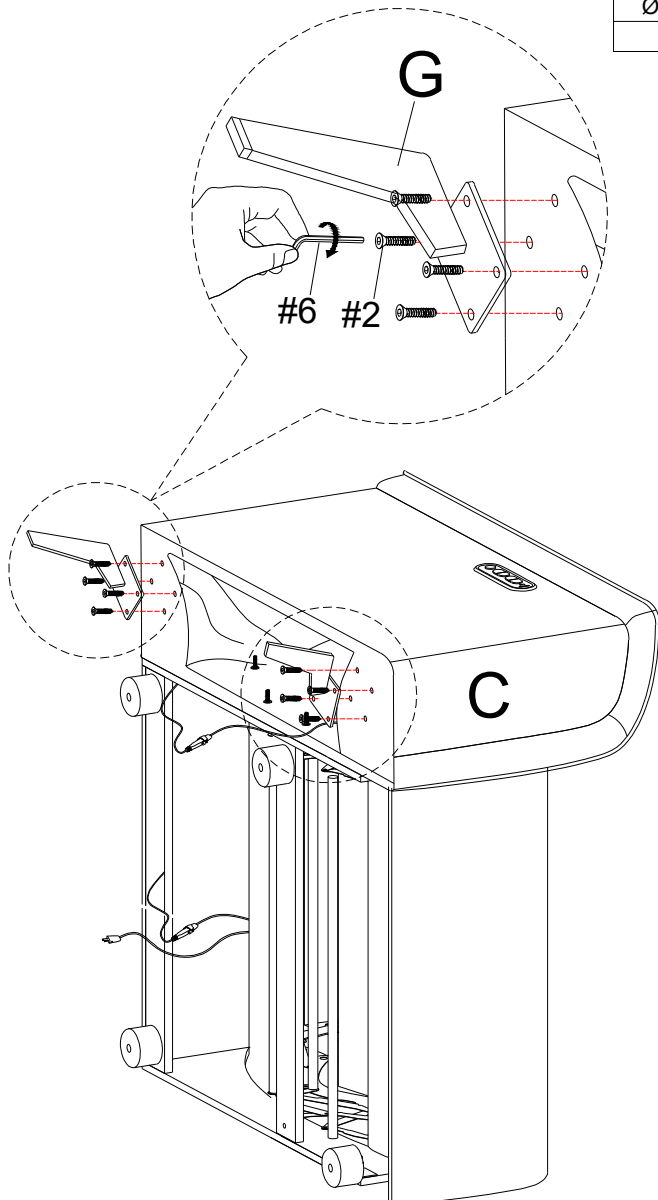


ASSEMBLY INSTRUCTIONS

STEP-5

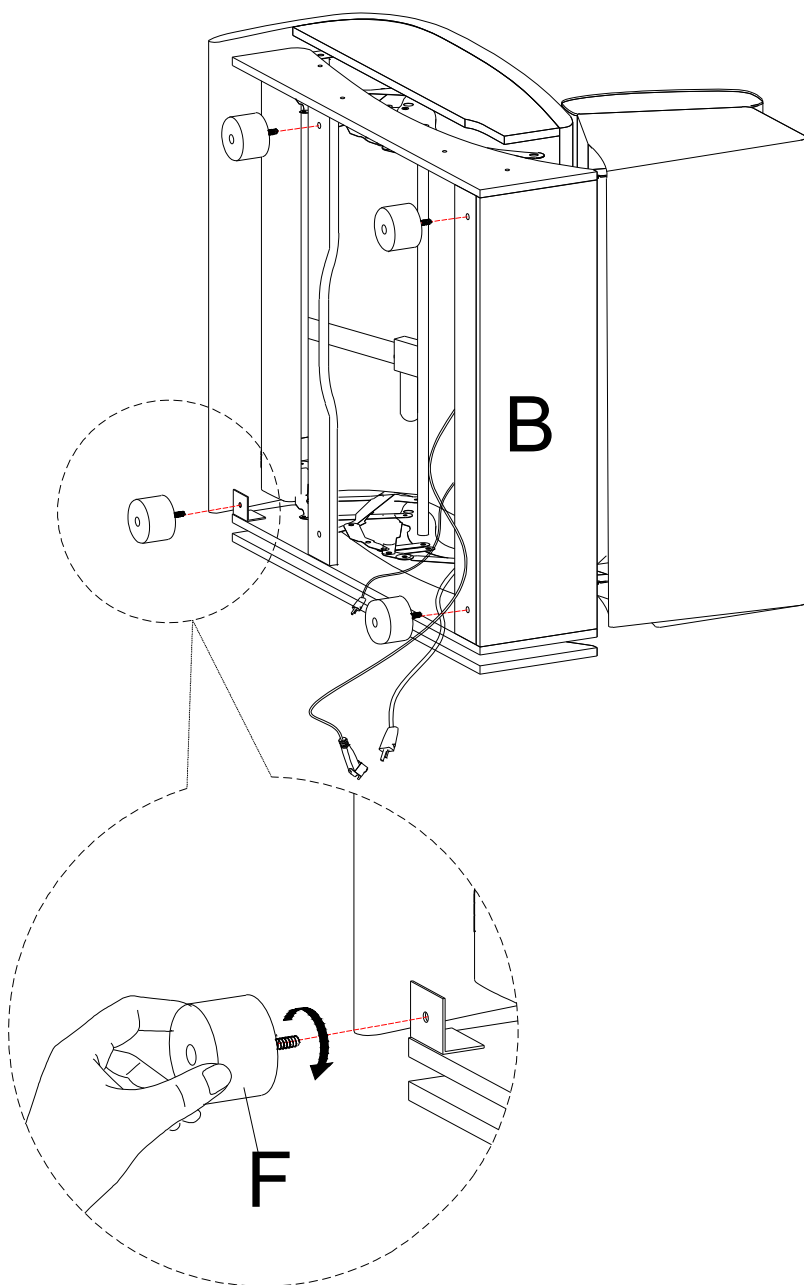
#2	x8
	
Ø6x15mm Bolt	

#6	x1
	
M6	



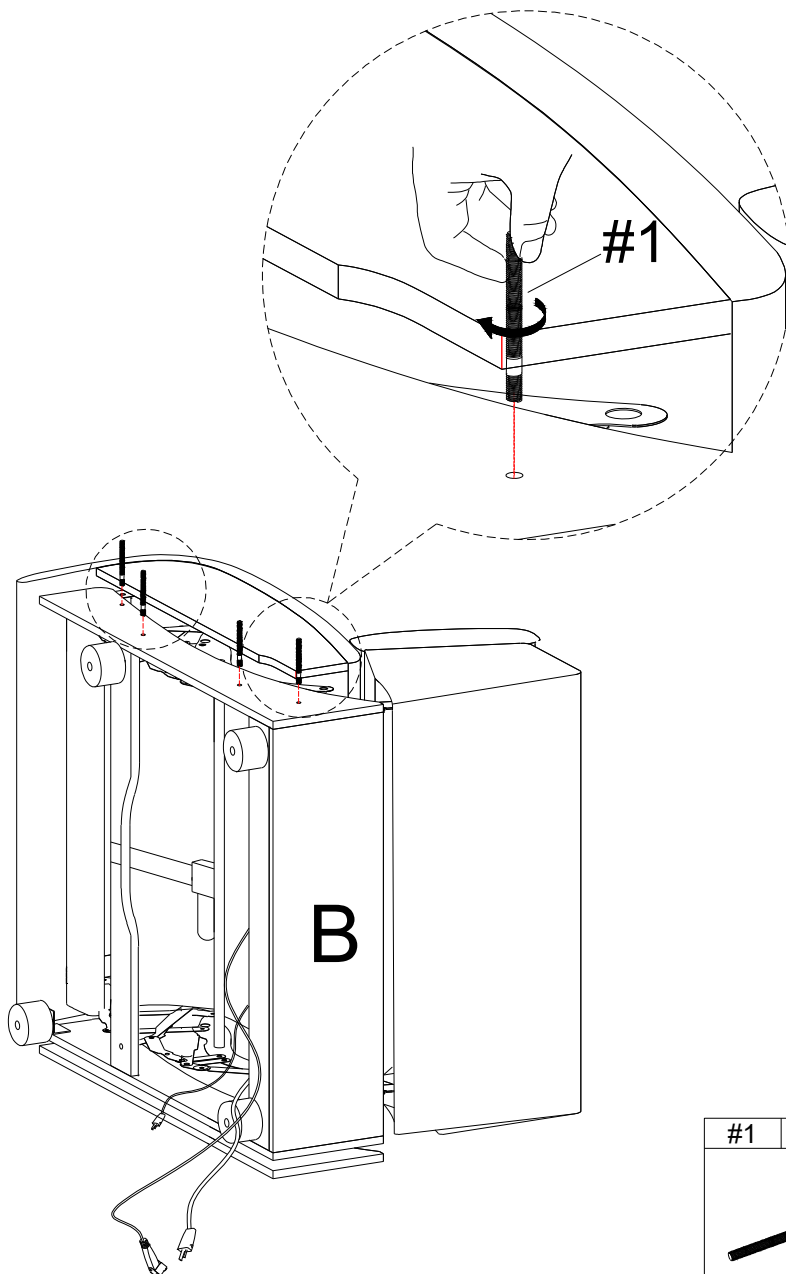
ASSEMBLY INSTRUCTIONS

STEP-6



ASSEMBLY INSTRUCTIONS




STEP-7

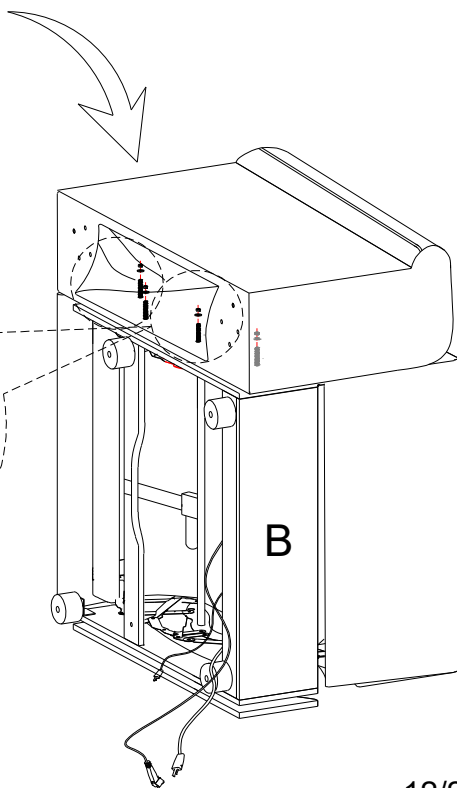
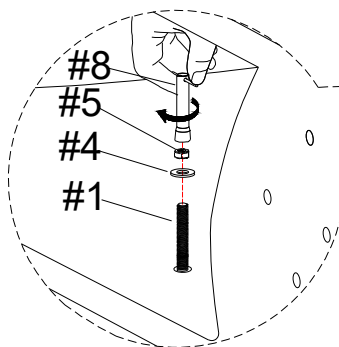
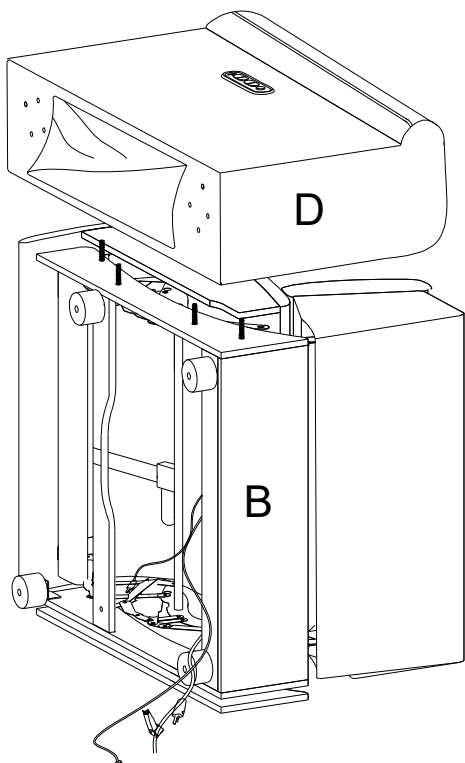


#1	x4
	
Ø8x100mm Bolt	

ASSEMBLY INSTRUCTIONS

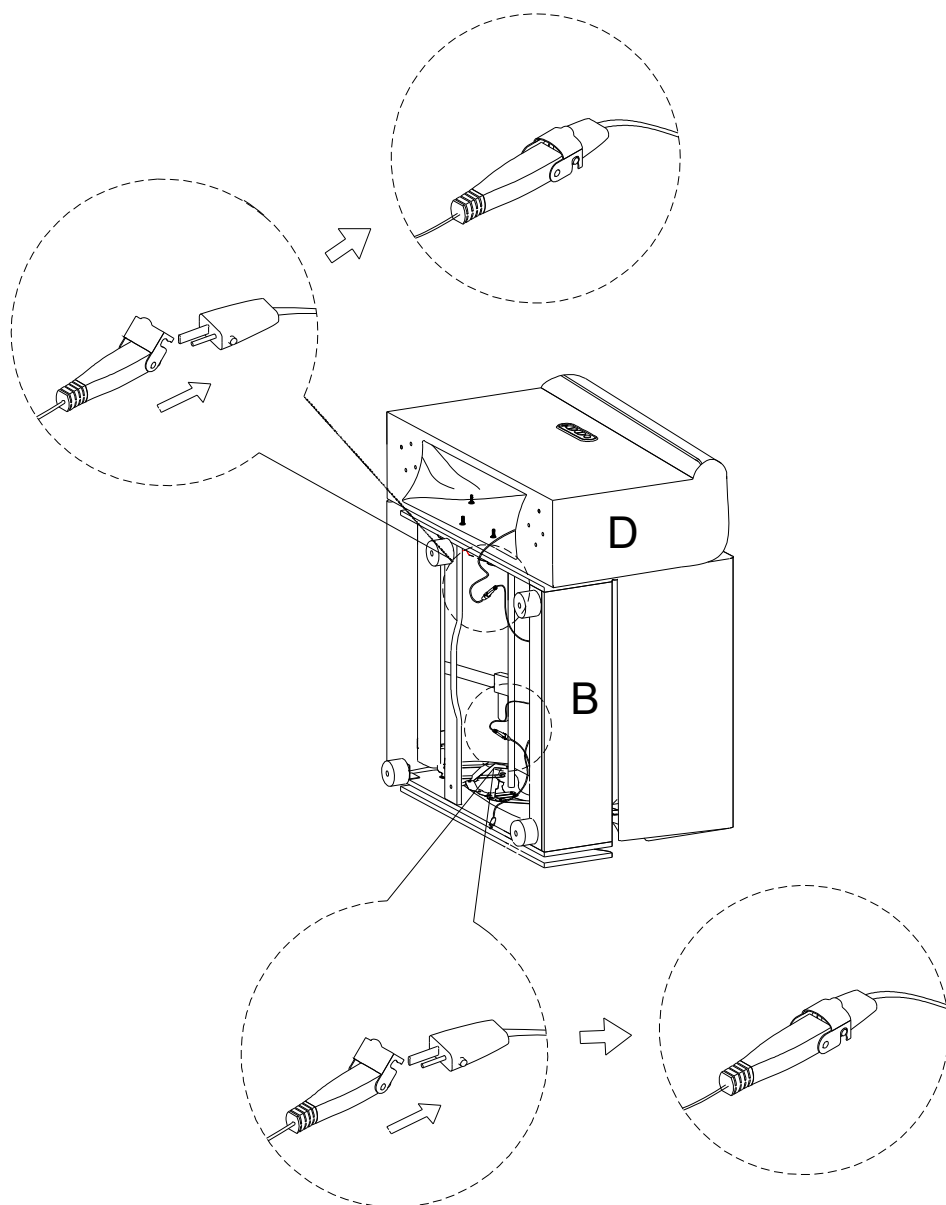
STEP-8

#4	x4	#5	x4	#8	x1
					
Ø8x15mm Flat washer		Ø8 Nut			



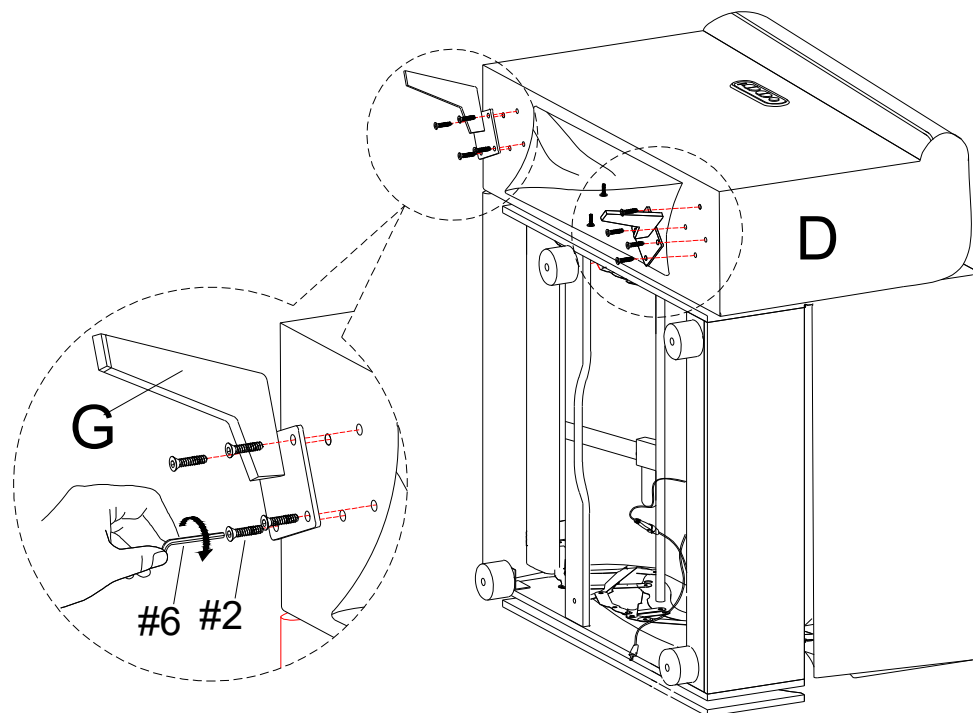
ASSEMBLY INSTRUCTIONS

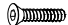
STEP-9




ASSEMBLY INSTRUCTIONS

STEP-10

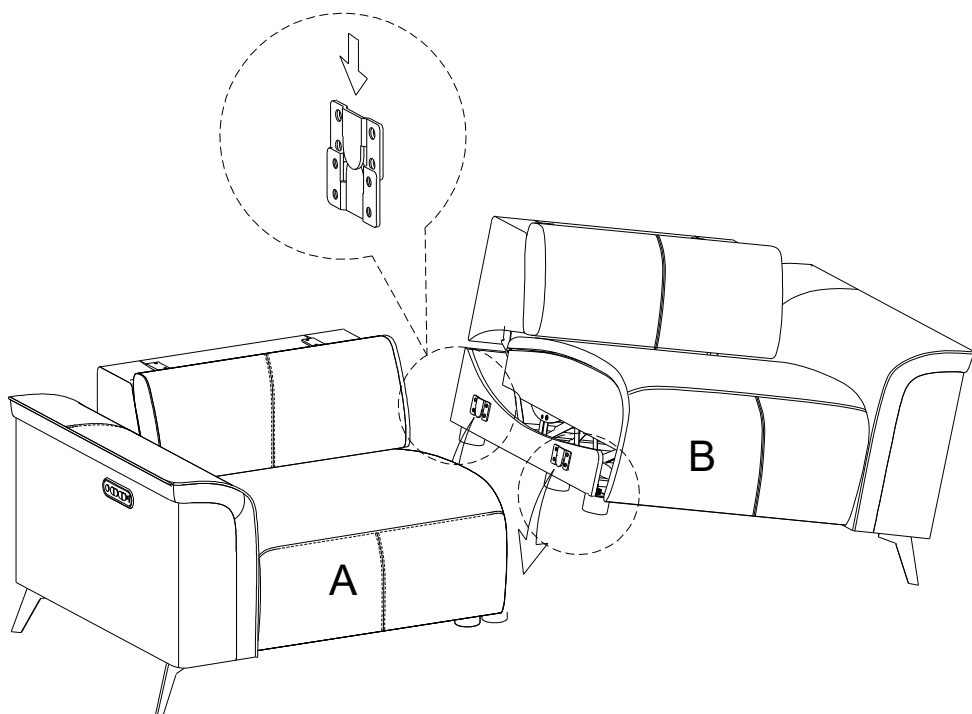


#2	x8
	
Ø6x15mm Bolt	

#6	x1
	
M6	

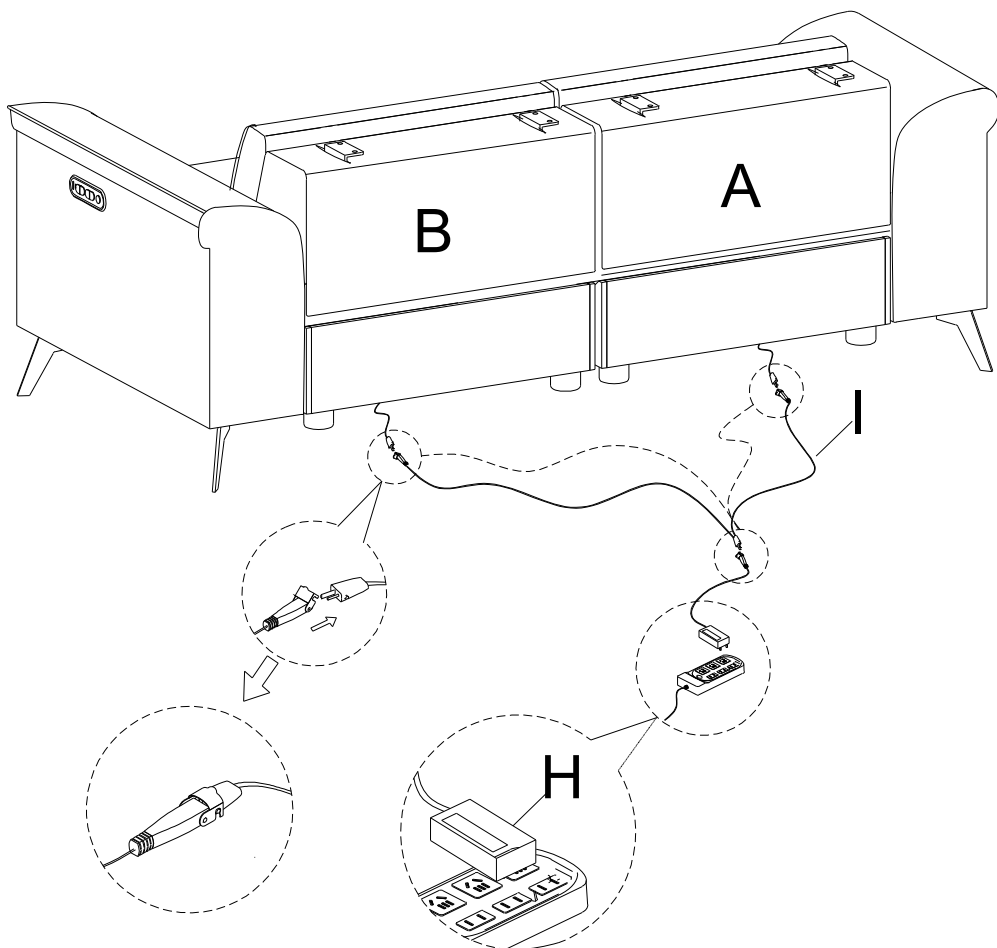
ASSEMBLY INSTRUCTIONS

STEP-11



ASSEMBLY INSTRUCTIONS

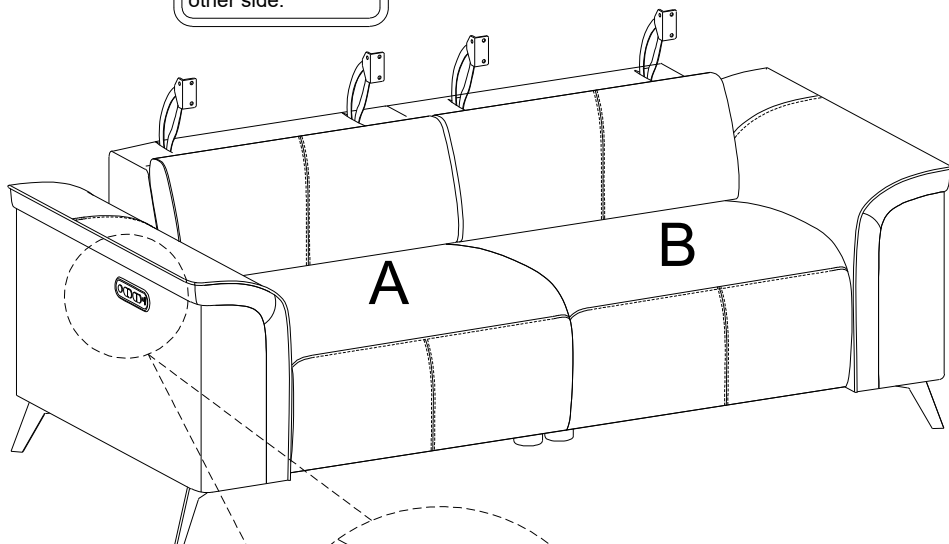
STEP-12



ASSEMBLY INSTRUCTIONS

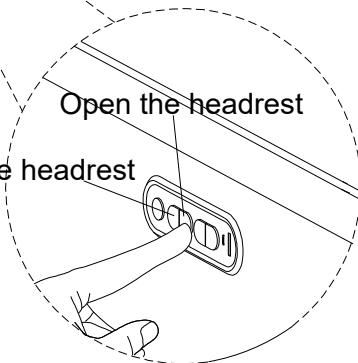
STEP-13

The same operation
is performed on the
other side.



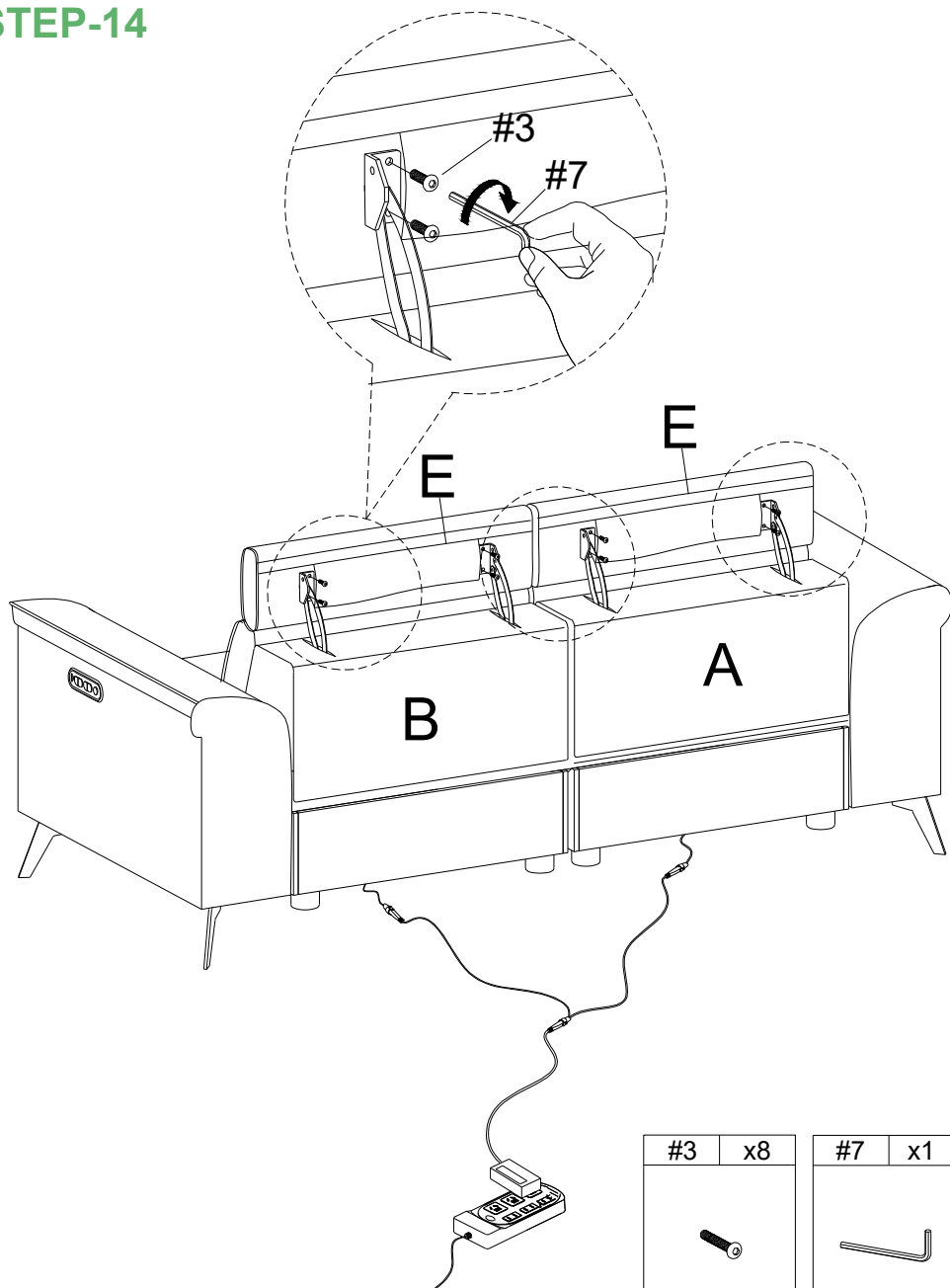
Open the headrest


Close the headrest




ASSEMBLY INSTRUCTIONS

STEP-14



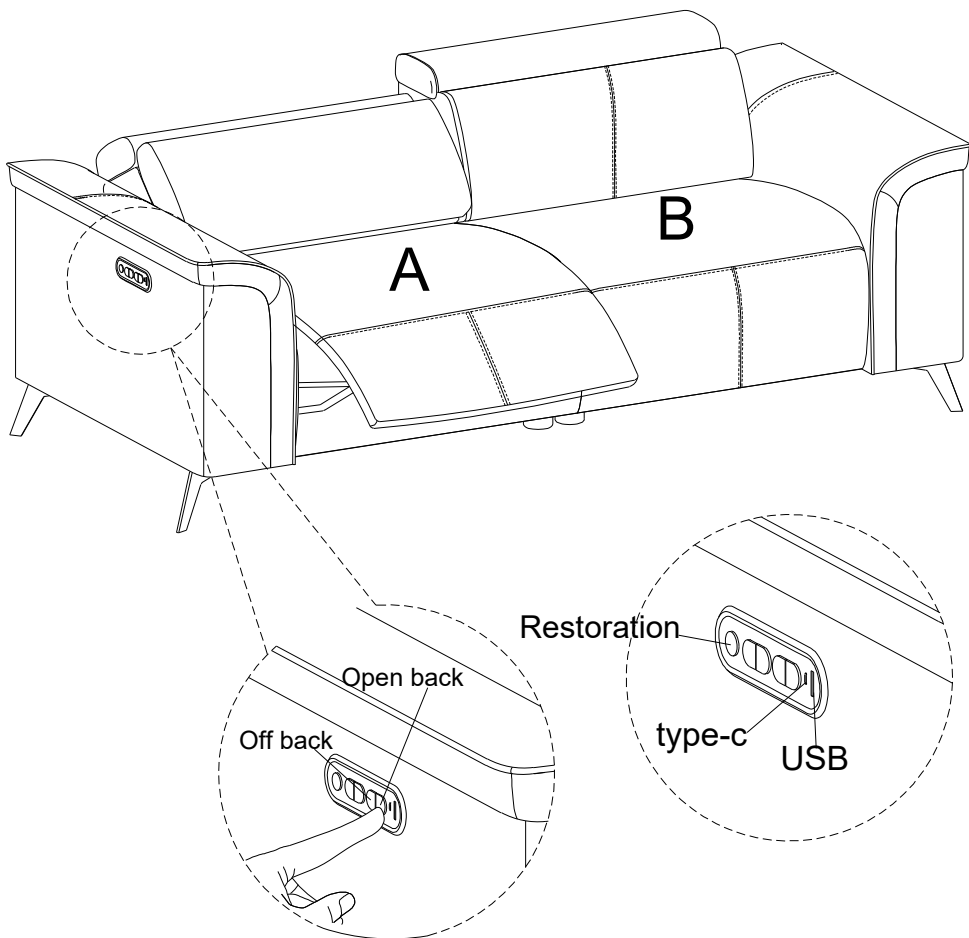
#3	x8
	
Ø6x30mm Bolt	

#7	x1
	
M4	

ASSEMBLY INSTRUCTIONS

STEP-15

The same operation is performed on the other side.



WARRANTY

1. We strive to offer high-quality products, and we also try our best to satisfy each and every customer that orders from us with product or service as needed.
2. We provide 30 days warranty starting from the time you receive the item. Each customer must provide a record of their order such as the order number, or item receipt for any items that are out of the warranty period you may also still receive.
3. Replacement parts by purchasing them with our company if they are available.

Are you having difficulty
With assembly? Missing parts?
Please send email with your order No to
customerservice@hulalahome.com
For return, please check the return policy with
the retailer or market place you bought from.

Appreciate your purchasing from us.
Pop up your life by our furniture piece!