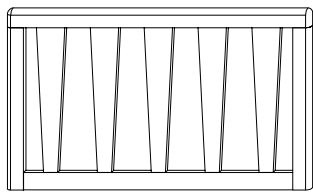


# 9728 Twin Headboard

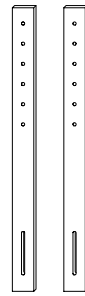
## Assembly Instructions

W11-0720

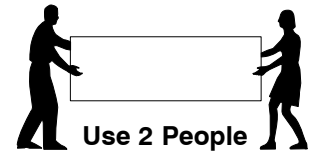
### 1 Parts List



**A**  
Headboard Panel x 1



**B**  
Support Bars x 2



### 2 Hardware List



**1** M6 x 35mm JCB  
x 10



**2** Spring Washer  
x 10



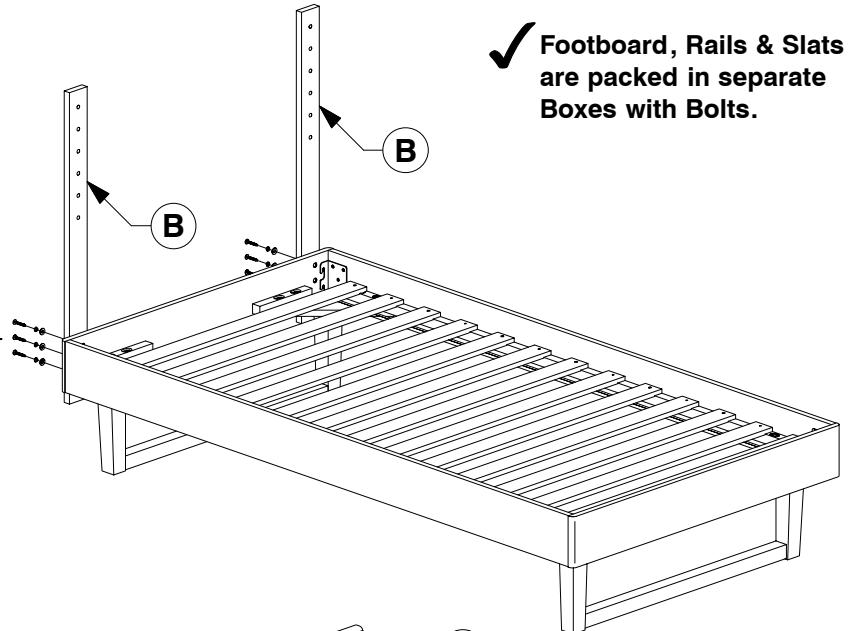
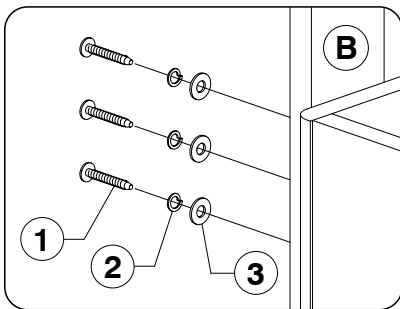
**3** Flat Washer  
x 10



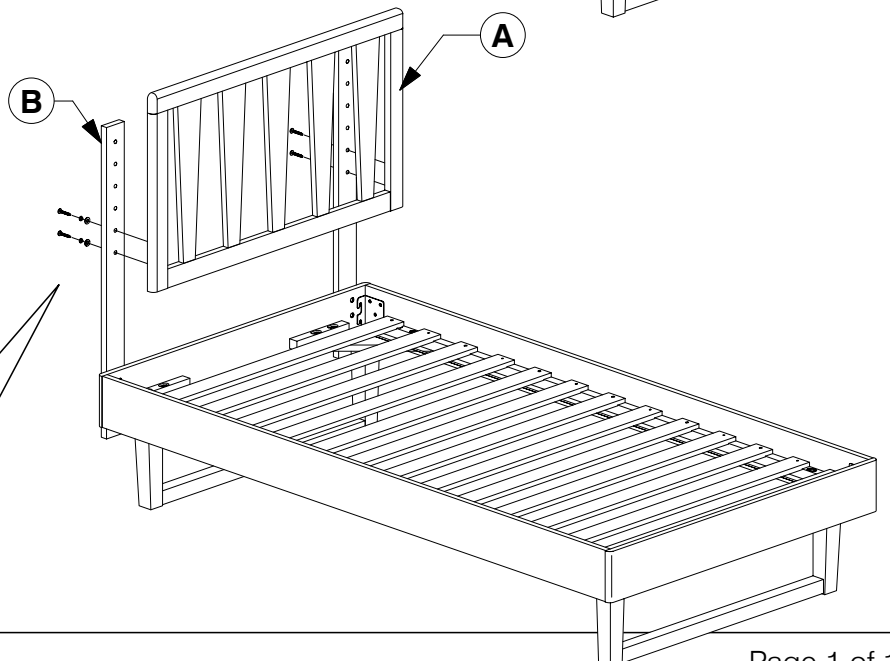
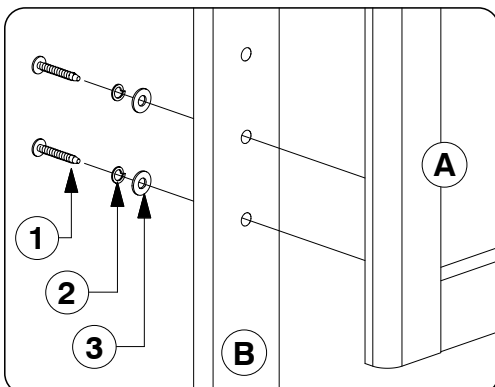
**4** Allen Key  
x 1

**Note:** Do not assemble using power tools. This can cause the bolts to be overtightened

### 3 Assemble the Support Bars (B) to the Headboard Panel.



### 4 Assemble the Headboard Panel (A) to the Support Bars (B).

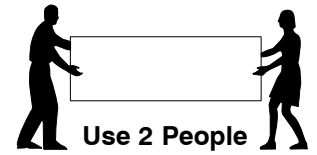
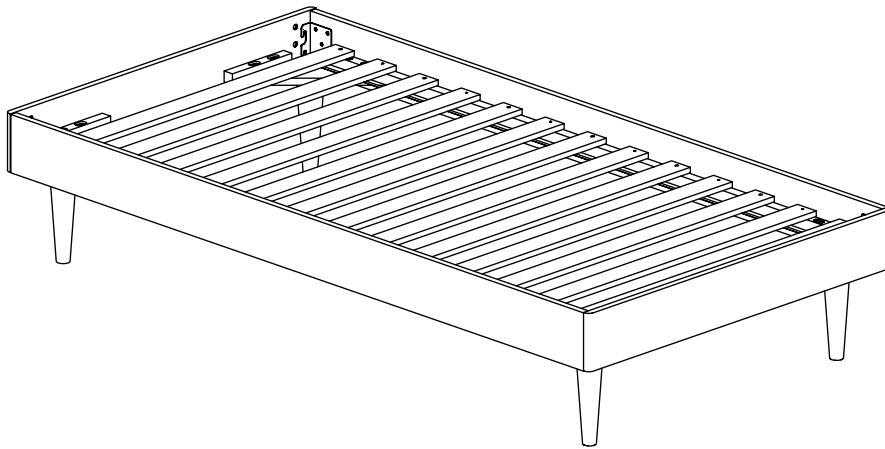


# 97151 Twin Bed

## Assembly Instructions

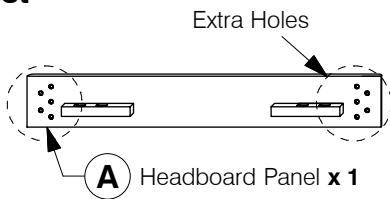
W11-0720

### 1 Assembled View

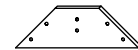


**Note:** Do not assemble using power tools. This can cause the bolts to be overtightened

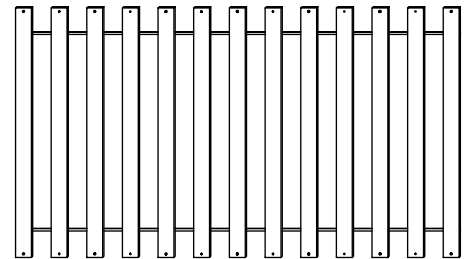
### 2 Parts List



**D**  
Post  
x 4



**E**  
Support Panel  
x 4



**F** Set of Bed Slats x 1

### 3 Hardware List



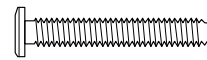
**1** M6 x  
50mm JCB  
x 16



**2** M6 x  
40mm JCB  
x 14



**3** M6 x  
20mm JCB  
x 8



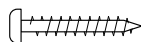
**4** M8 x  
50mm JCB  
x 8



**5** Spring  
Washer  
x 24



**6** Flat Washer  
x 24



**7** Wood Screw  
(M4 x 32mm) x 12



**8** M4 Allen Key  
x 1



**9** M5 Allen Key  
x 1

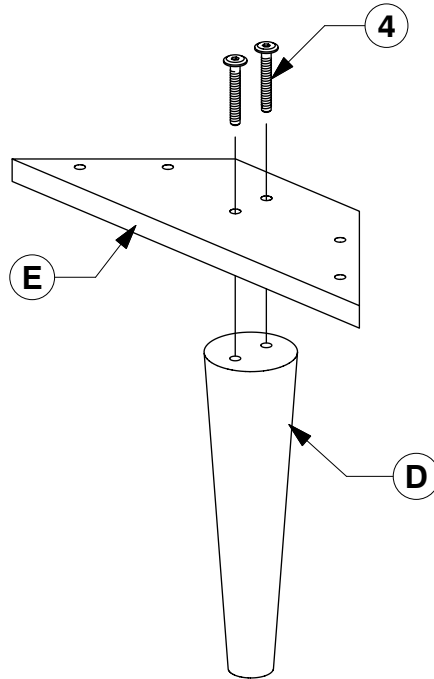
# 97151 Twin Bed

## Assembly Instructions

W11-0720

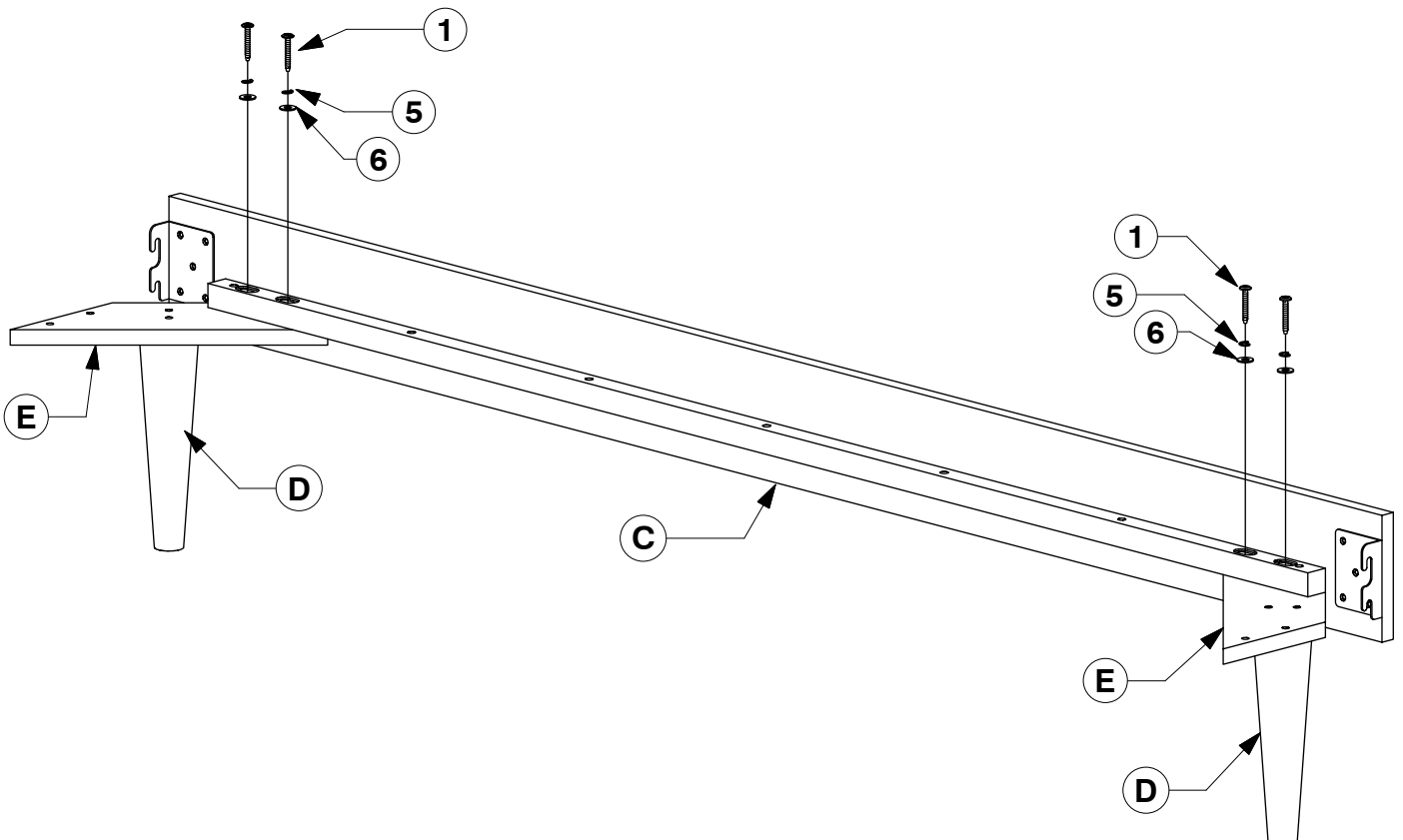
- 4** Fit the Post (D) to the Support Panel (E).

x4



- 5** Bolt the Post & Support Panel (D & E) to the Side Rail (C).

x2

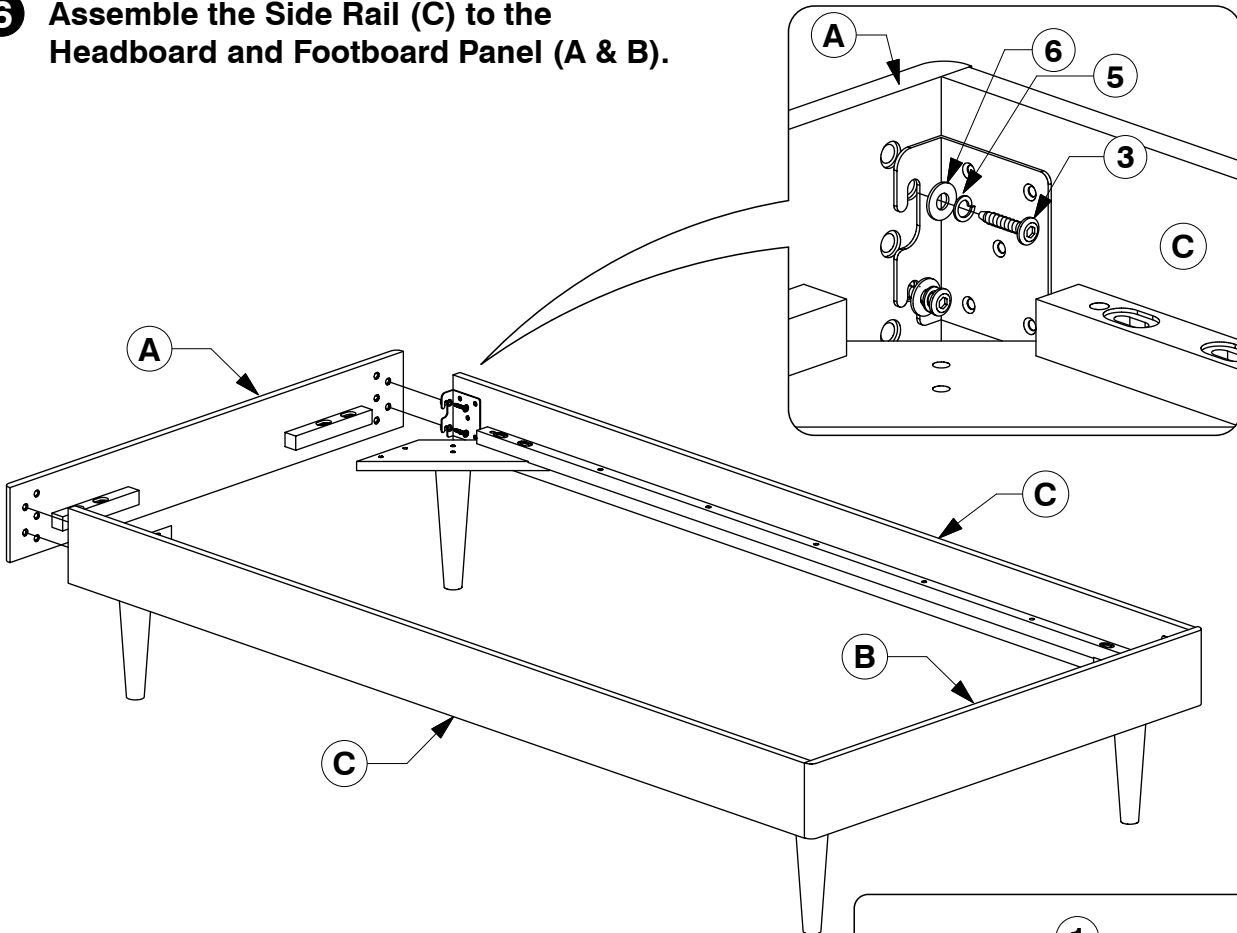


# 97151 Twin Bed

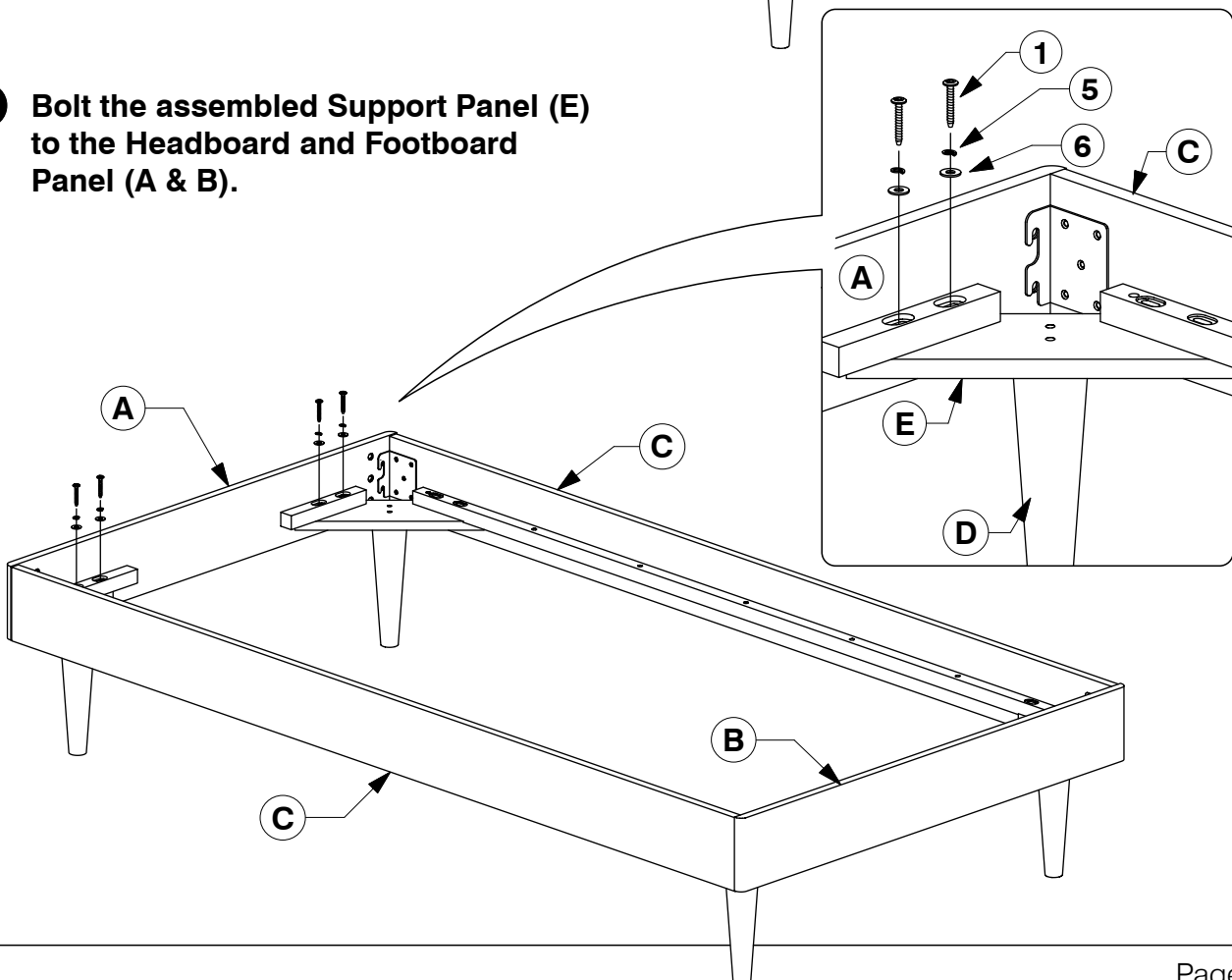
## Assembly Instructions

W11-0720

- 6 Assemble the Side Rail (C) to the Headboard and Footboard Panel (A & B).**



- 7 Bolt the assembled Support Panel (E) to the Headboard and Footboard Panel (A & B).**

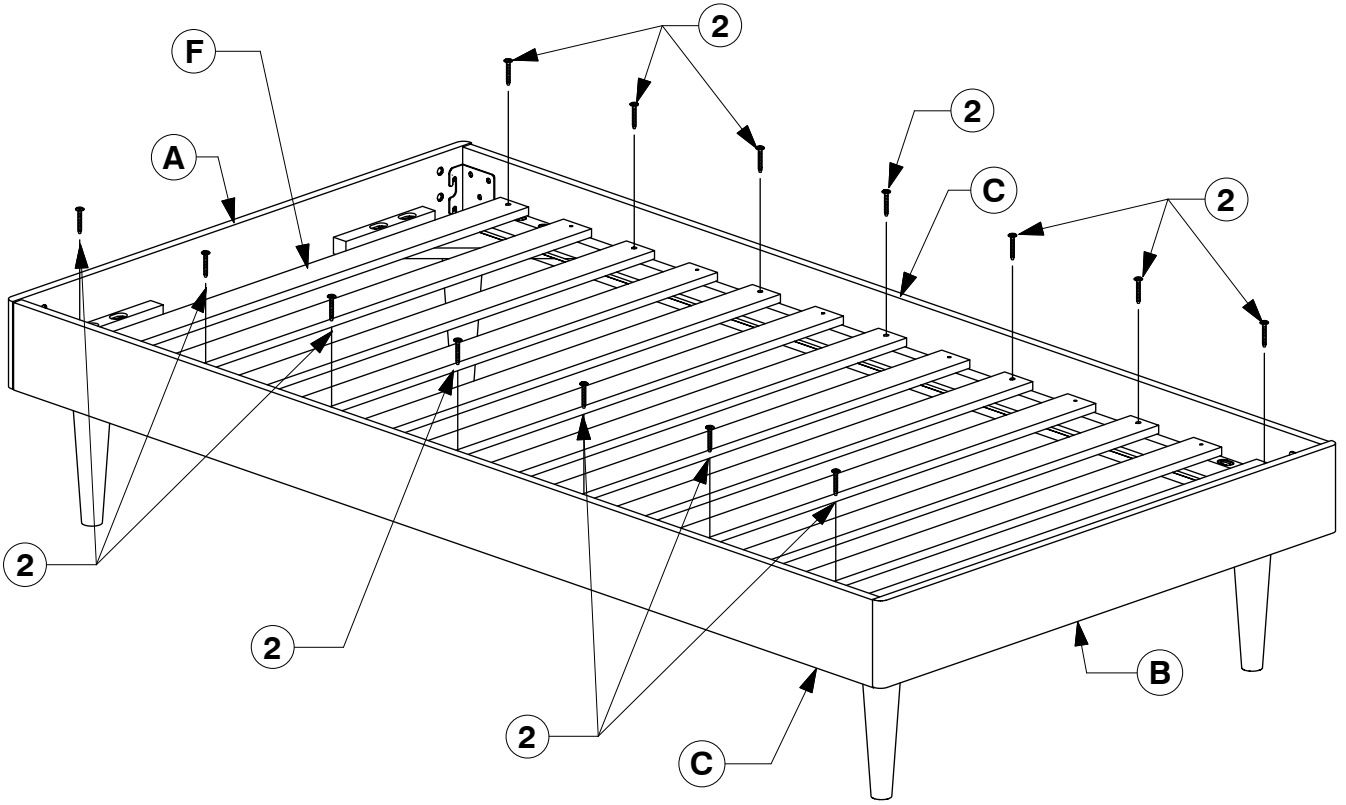


# 97151 Twin Bed

## Assembly Instructions

W11-0720

### 8 Bolt the Bed Slats (F) to the Side Rail (C).



### 9 Screw the Bed Slats (F) to the Side Rail (C).

