

**INSTRUCTION MANUAL ENCLOSED**

**ATTENTION**

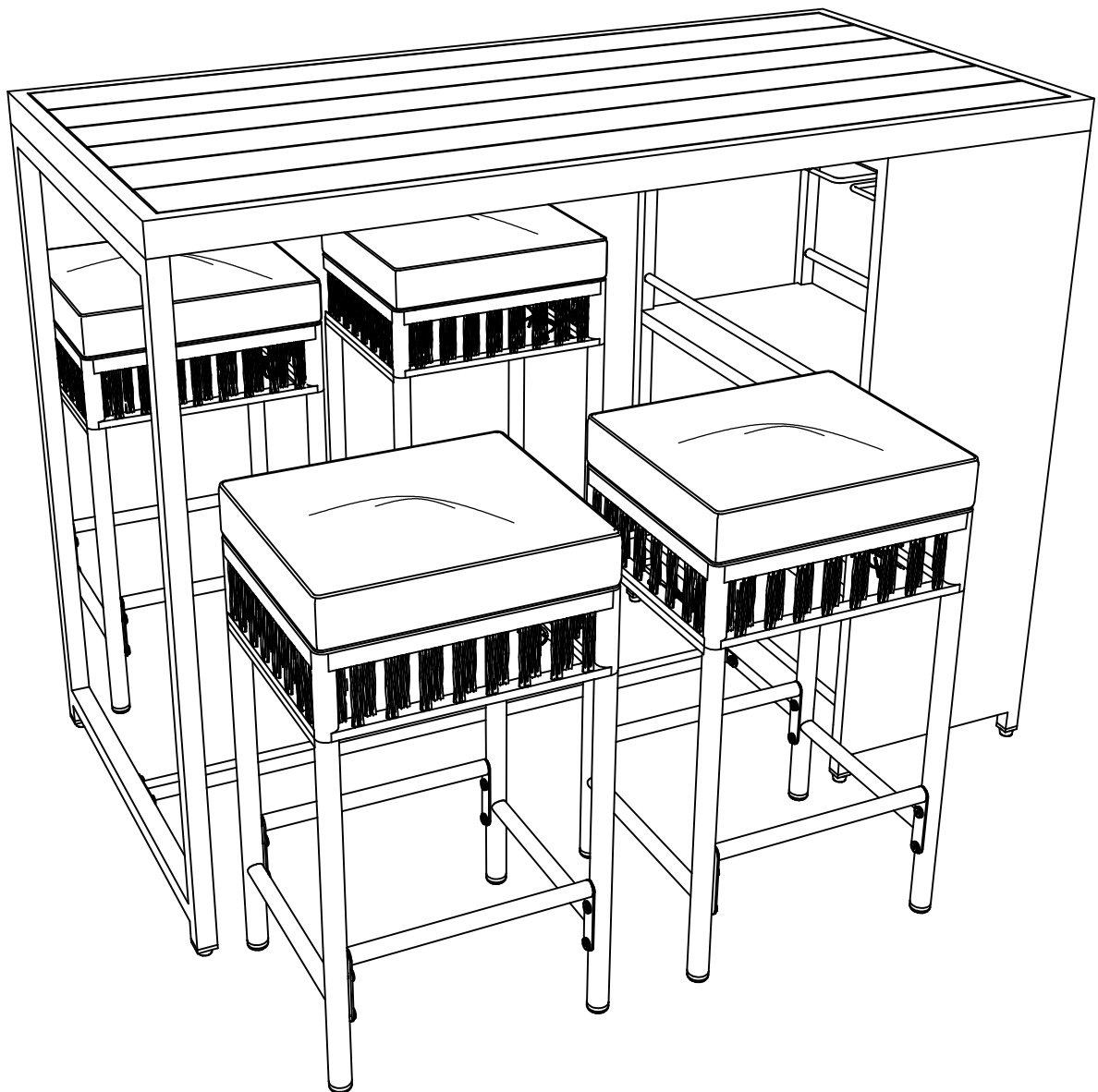
**IF YOU HAVE ANY PROBLEMS OR QUESTIONS, EMAIL OR CALL  
CUSTOMER SERVICE BEFORE YOU RETURN THIS PRODUCT TO THE  
STORE WHERE IT WAS PURCHASED.**

**\*\*When emailing Customer Service, please include your **Order Number** and **platform of purchase** in the email subject for quicker assistance.**

# INSTRUCTION MANUAL ENCLOSED

## BAR SET 4 CHAIRS

### BAR SET 4 CHAIRS ASSEMBLY INSTRUCTION



# PARTS LIST



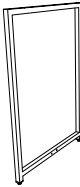






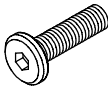
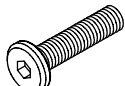
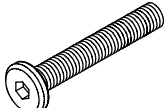
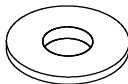

Part	Description	Quantity
------	-------------	----------

## PARTS

1	Plywood table top	1
2	Bar frame	1
3	Table leg frame	1
4	Table stretcher	1
5	Glass rack	1
6	Bar stool seat	4
7	Bar stool leg frame	8
8	Bar stool stretcher	8
9	Bar stool cushion	4

## HARDWARE

A	Bolt M6x15 mm	40
B	Bolt M6x25 mm	8
C	Bolt M6x50 mm	6
D	Washer Ø6x14x1 mm	54
E	Allen key 4x98 mm	2

1  x1	2  x1	3  x1	4  x1
5  x1	6  x4	7  x8	8  x8
9  x4	A  M6x15 mm x40	B  M6x25 mm x8	C  M6x50 mm x6
D  Ø6xØ14x1 mm x54	E  4 mm x2		

## PLEASE READ AND FOLLOW ALL SAFETY TIPS

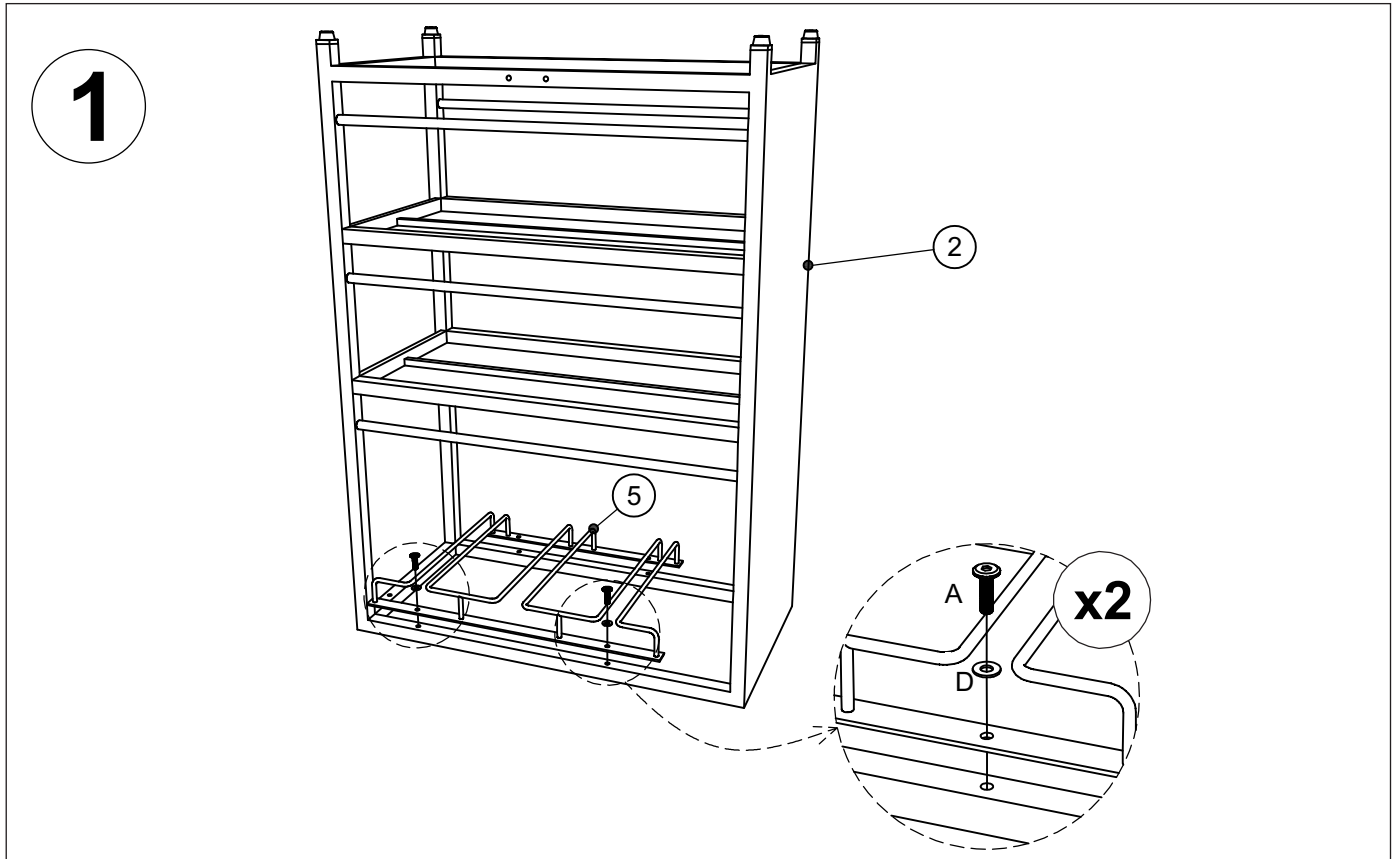
### GETTING STARTED

1. Before assembly, CAREFULLY use scissors or utility knife to cut and unwrap all parts. Make sure you do not discard the hardware.
2. Make sure that you have all the parts listed. If you are missing any parts, please email us. Please identify the parts you need and model number. Make sure to include your name and address.
3. Please include your **Order Number** and **platform of purchase** in the email subject, and one of our customer service representative will get back to you.

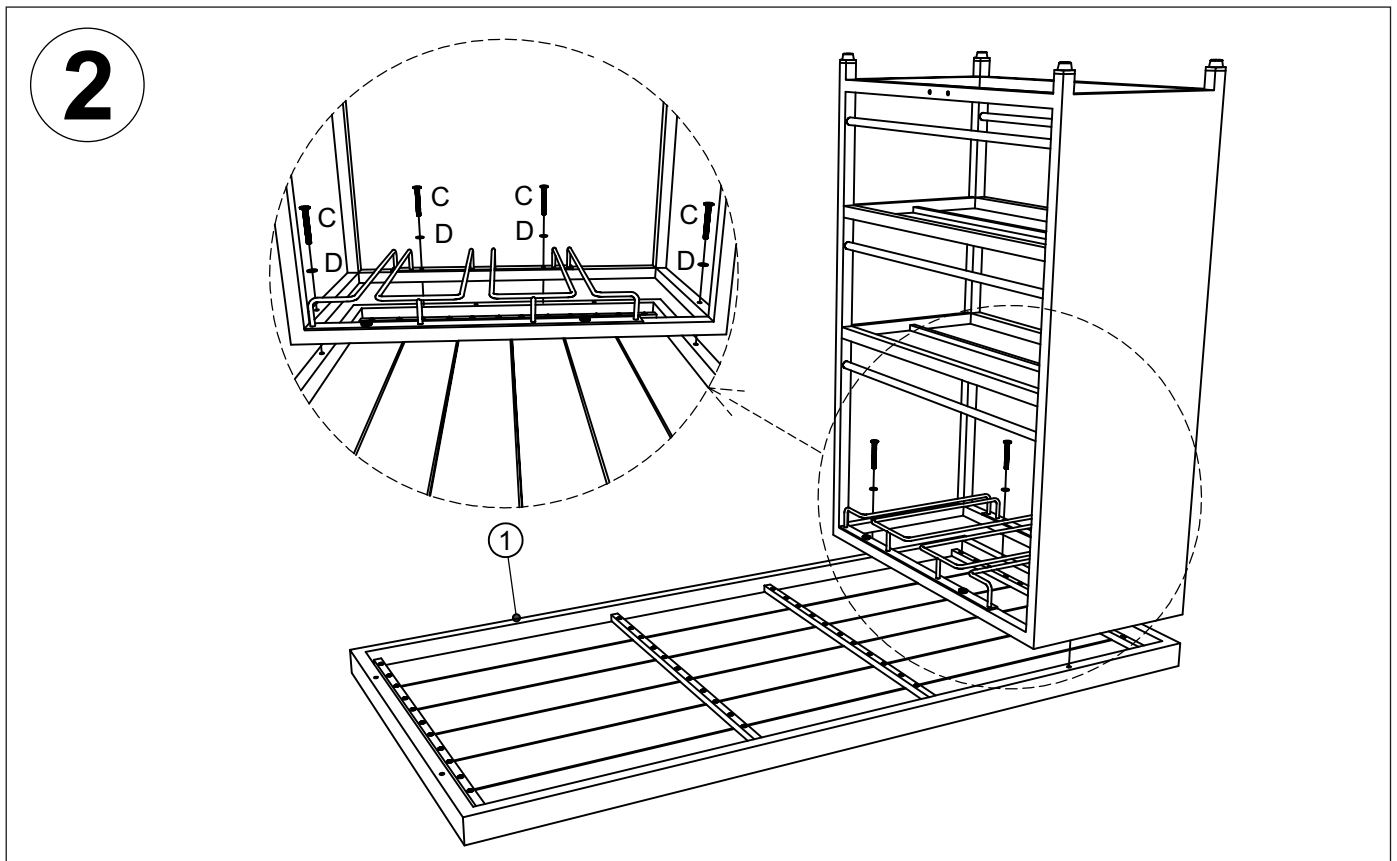
### Warm Tips:

1. The plastic covers on some metal parts are just for product protection. Please remove it before assembly.
2. Please follow the sequence of AI during assembly.
3. Do not tighten the screws until all of them are in right positions.

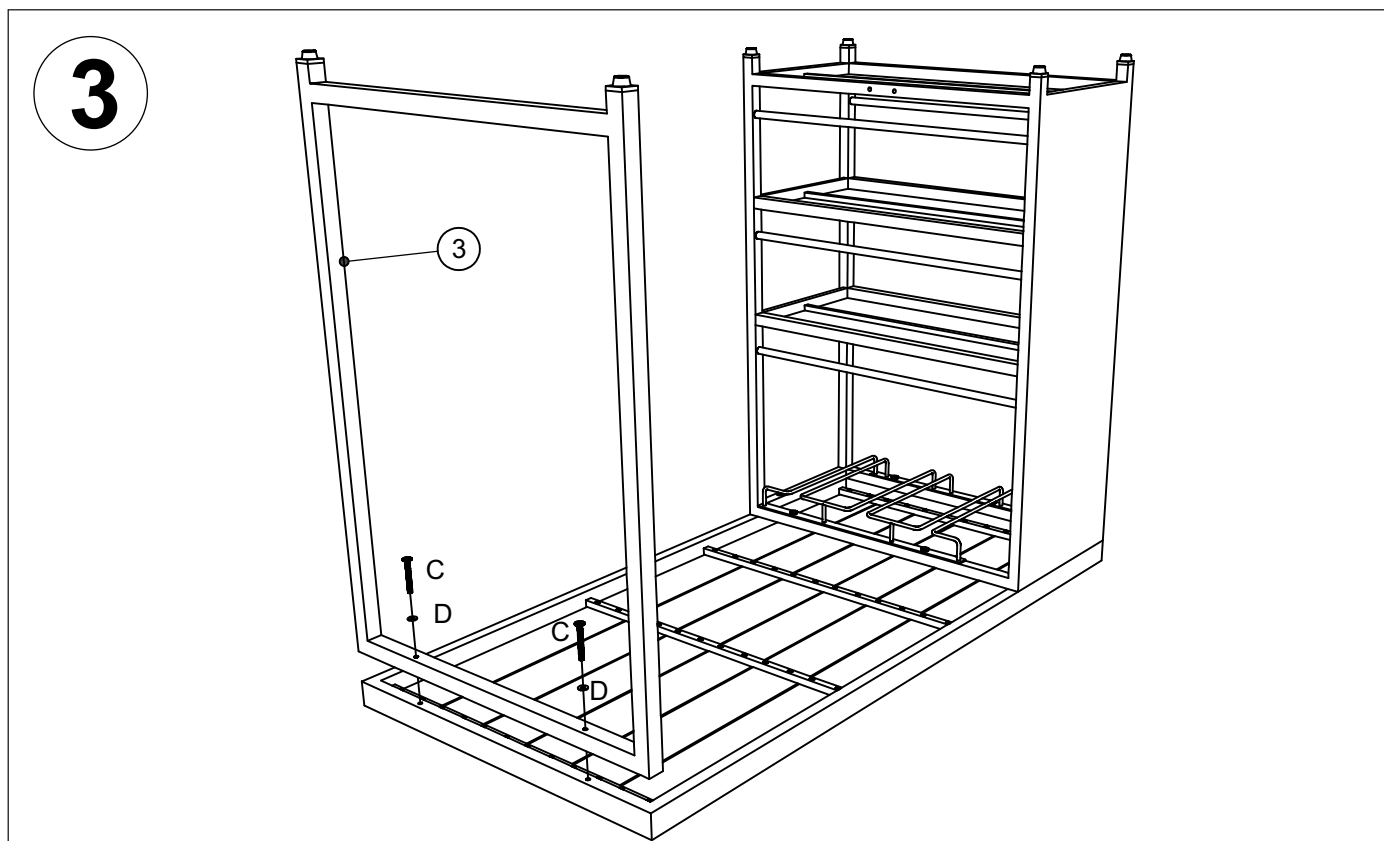
1. Locate 1 Glass rack (5) to the bar frame (2) by the pre-drilled threads.  
Use Allen Key (E) to tighten Bolts (A) and washers (D).  
Note: only tighten 80% (Photo 1).



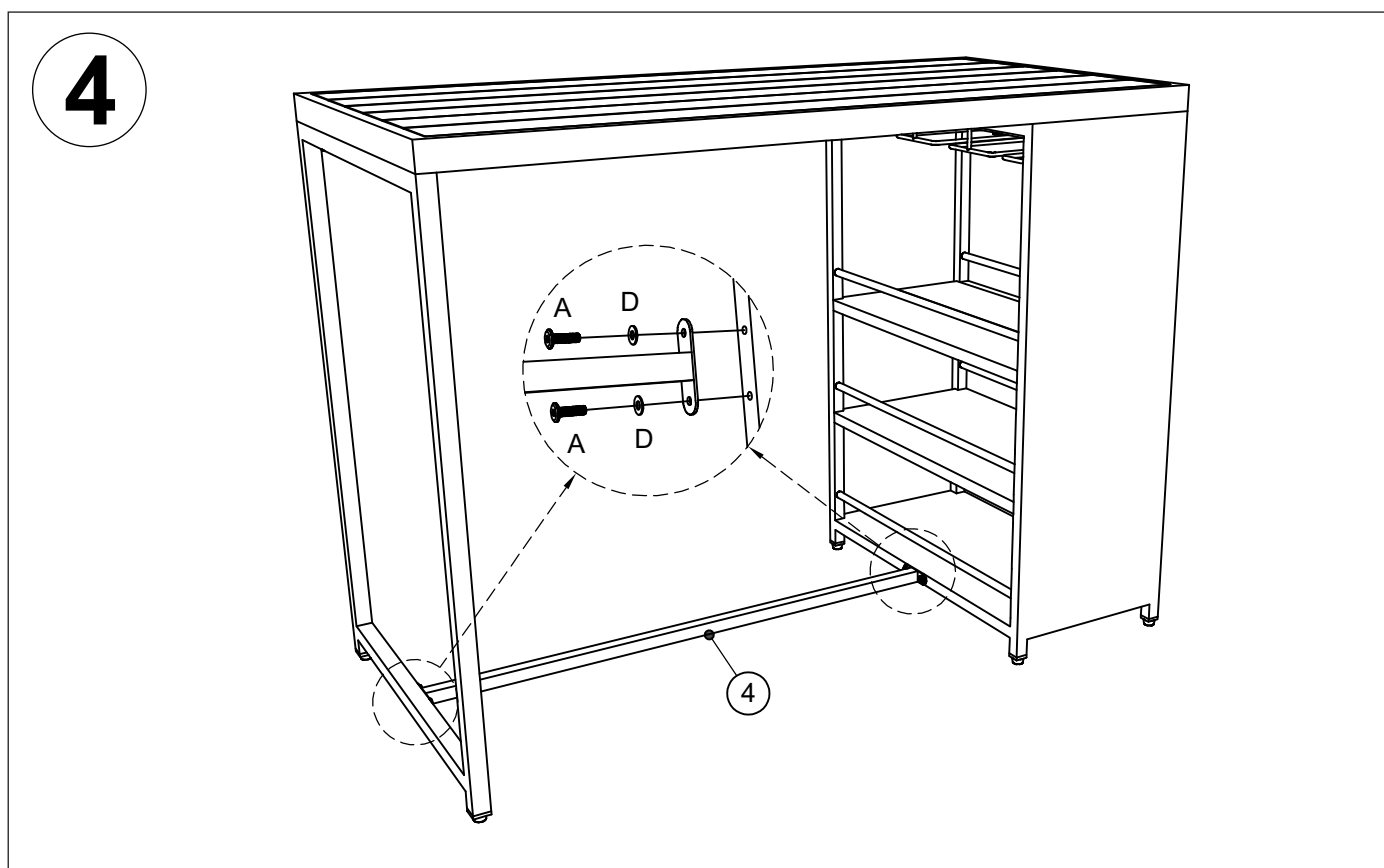
2. Locate the bar frame (2) to the Polywood table top (1) by the pre-drilled threads.  
Use Allen Key (E) to tighten Bolts (C) and washers (D).  
Note: only tighten 80% (Photo 2).



3. Locate the table leg frame (3) to the Polywood table top (1) by the pre-drilled threads.  
Use Allen Key (E) to tighten Bolts (C) and Washers (D).  
Note: only tighten 80% (Photo 3).



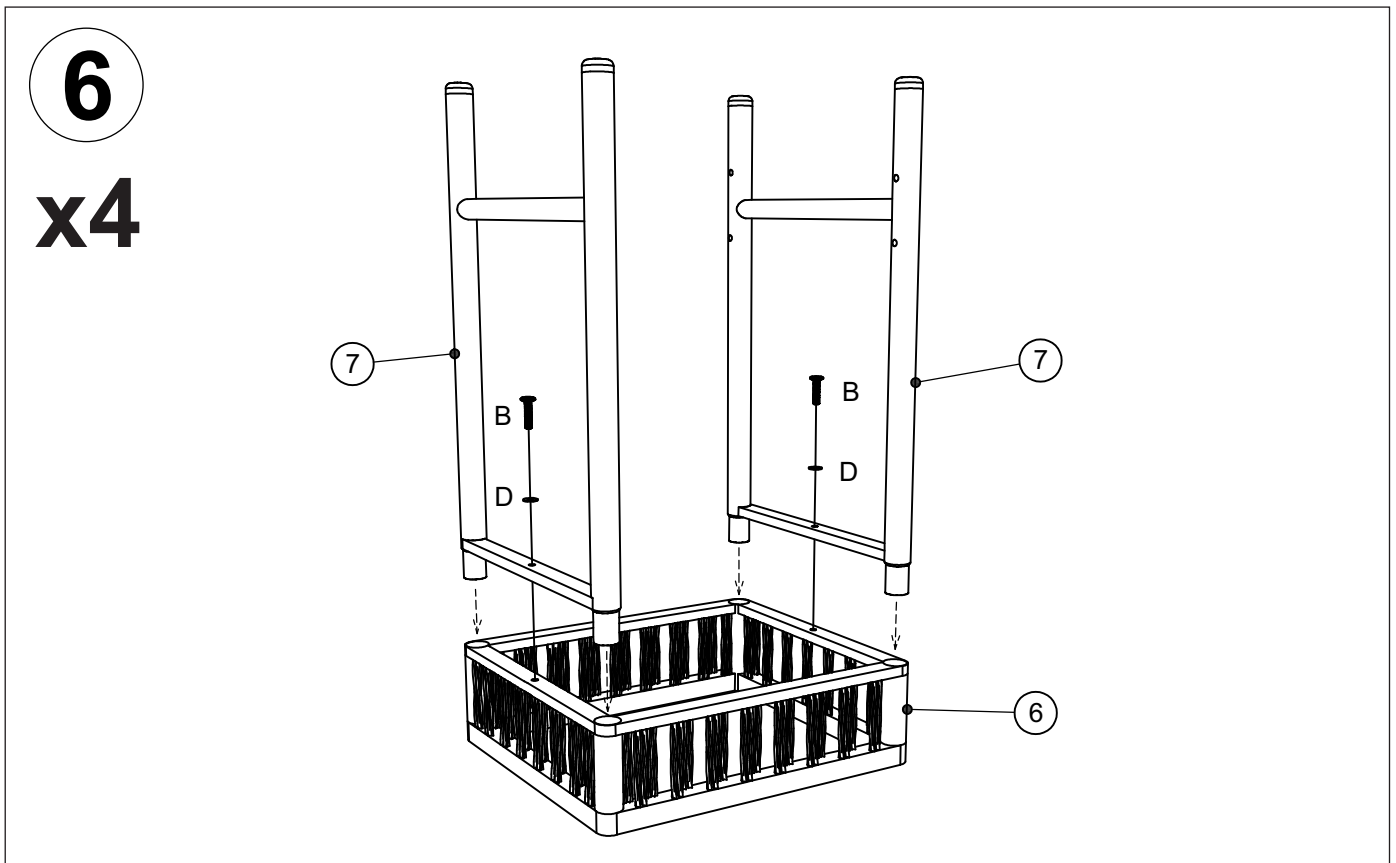
4. Locate the table stretcher (4) to table leg frame (3) and bar frame (2) by the pre-drilled threads.  
Use Allen Key (E) to tighten Bolts (A) and Washers (D).  
Note: only tighten 80% (Photo 4).



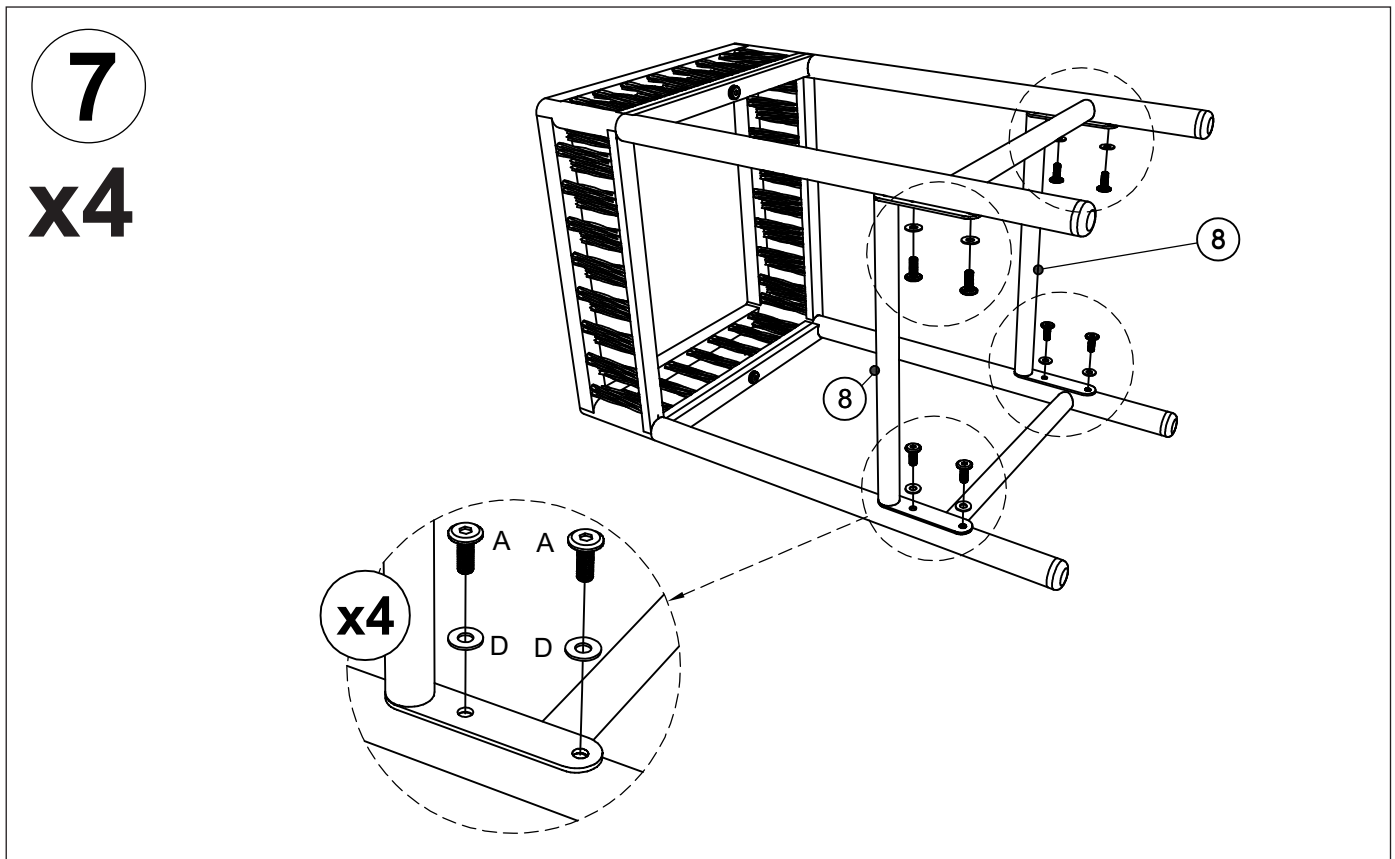
5. Use Allen Key (E) to tighten all Bolts 100%. (Photo 5).



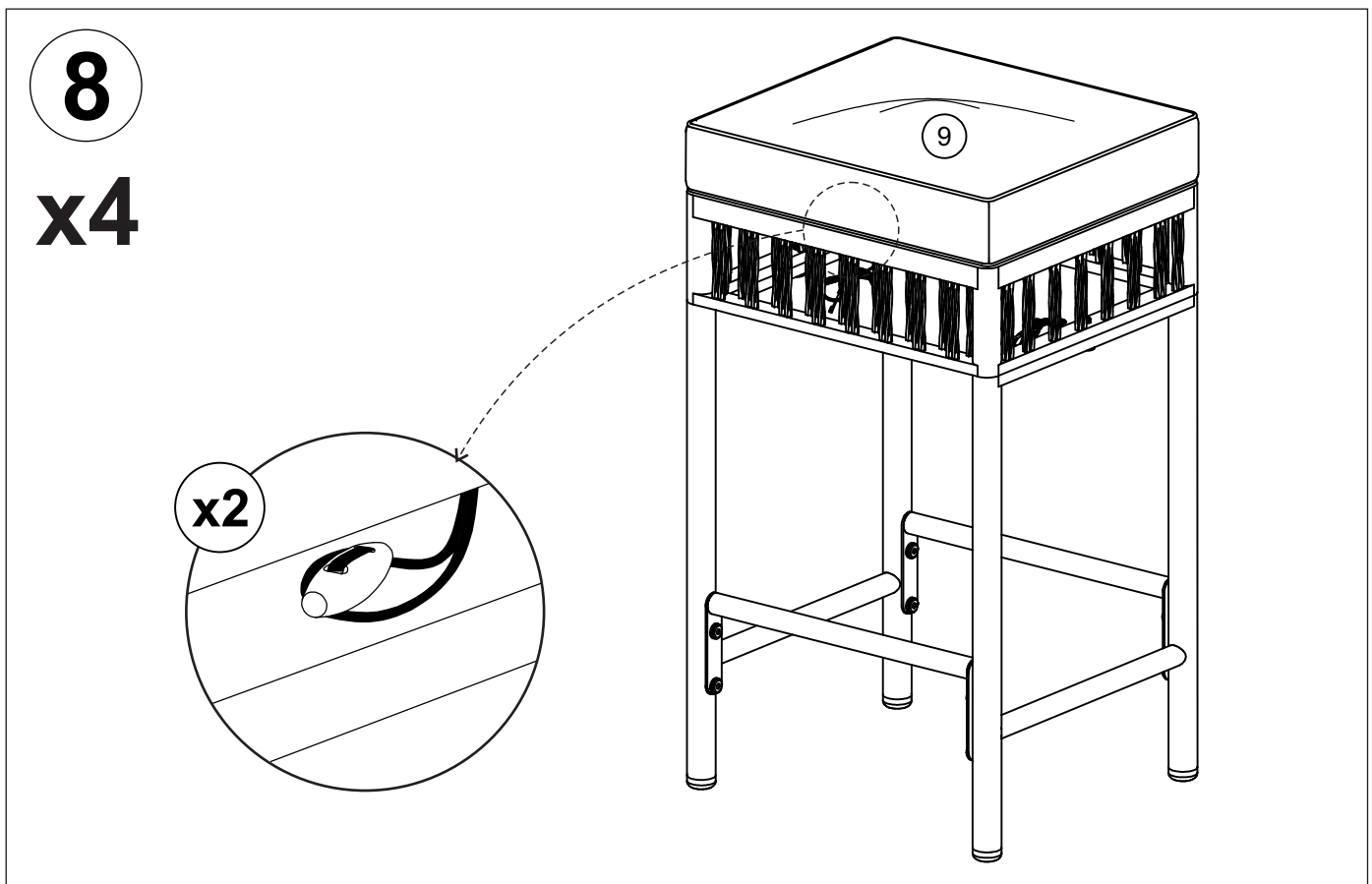
6. Locate 2 bar stool leg frames (7) to bar stool seat (6) by the pre-drilled threads.  
Use Allen Key (E) to tighten Bolts (B) and Washers (D).  
Note: only tighten 80% (Photo 6).



7. Locate 2 Bar stool stretcher (8) to bar stool leg frame (7) by the pre-drilled threads.  
Use Allen Key (E) to tighten Bolts (A) and Washers (D).  
Note: only tighten 80% (Photo 7).



6. Use Allen Key (E) to tighten all Bolts 100%.  
Place 1 bar stool cushion (9) on the top bar stool seat as shown in the picture (Photo 8).



**Till now you have finished the whole assembly and enjoy your furniture!**