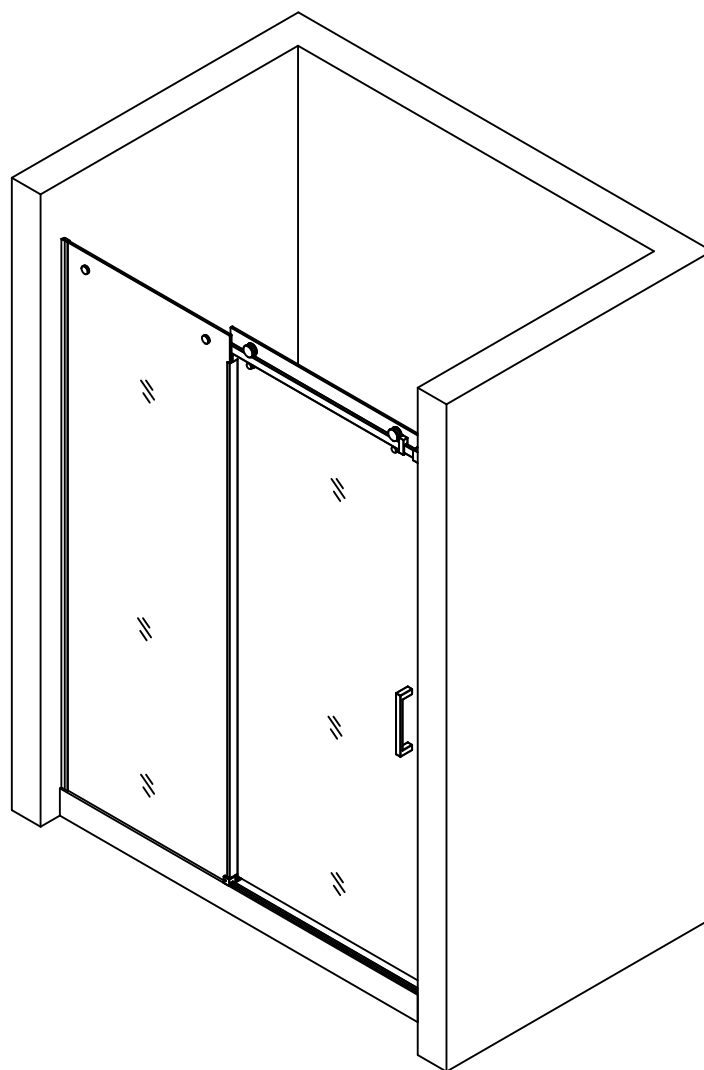


Shower Door Installation Guide

SS09



Plz do not just return when meeting difficulties in installation, just contact your seller for help.

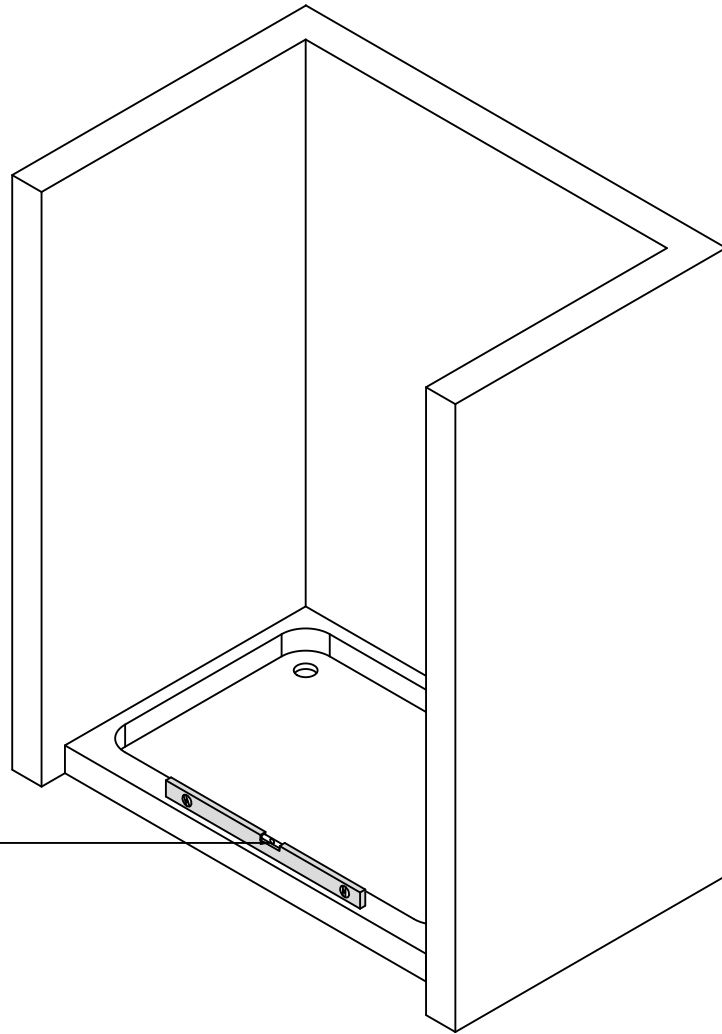
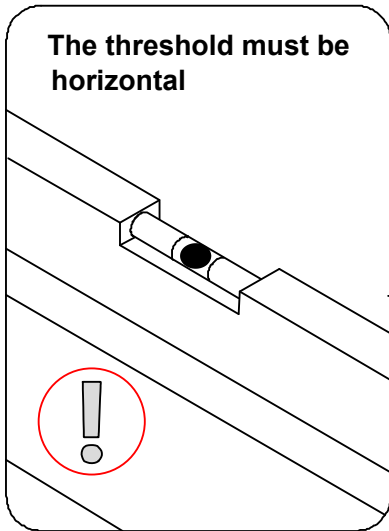
Model Specific Preparation



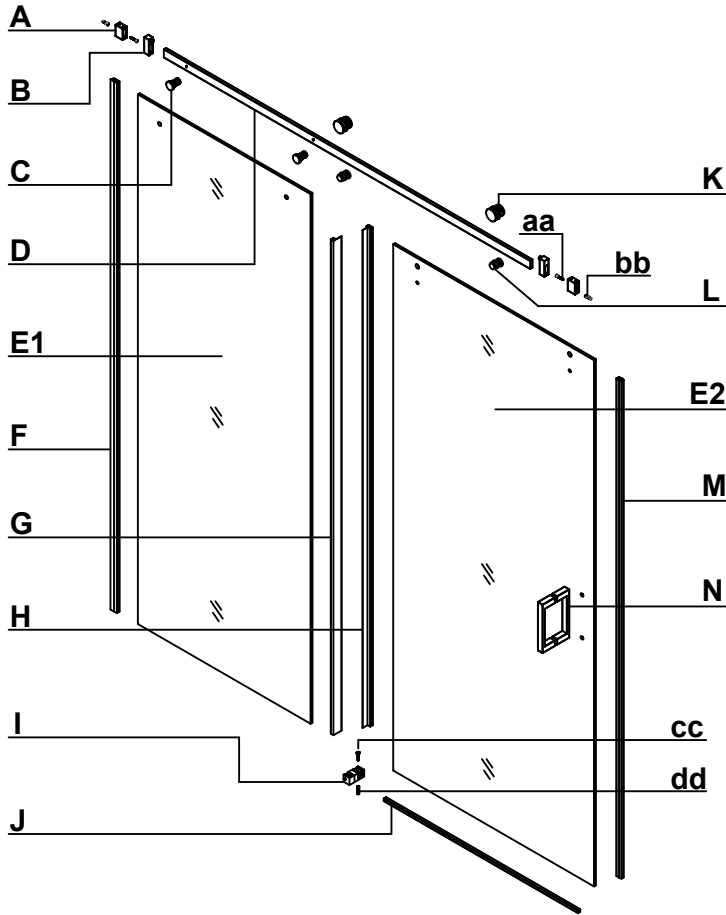
REQUIRED:

Verify that the threshold is level by using a straight edge or a level tool. Adjust the threshold as necessary to ensure it is perfectly horizontal

The threshold must be horizontal



PACKAGE CONTENT

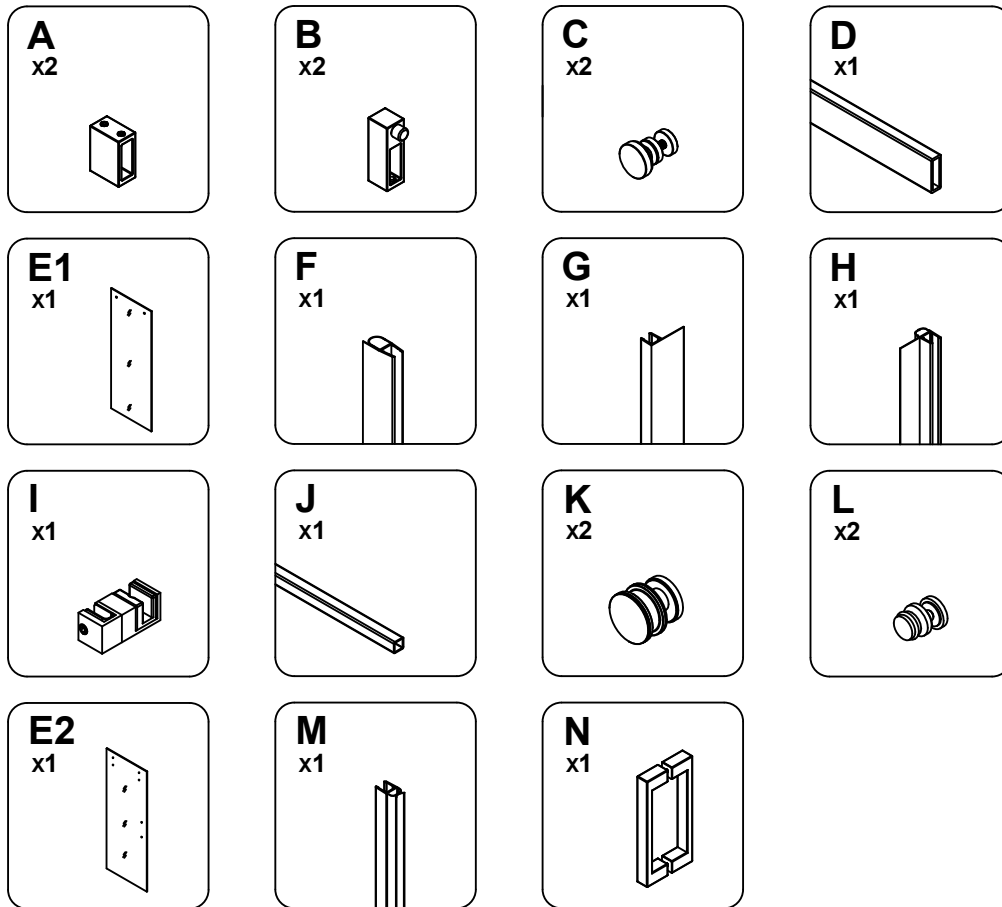


PACKAGE CONTENT

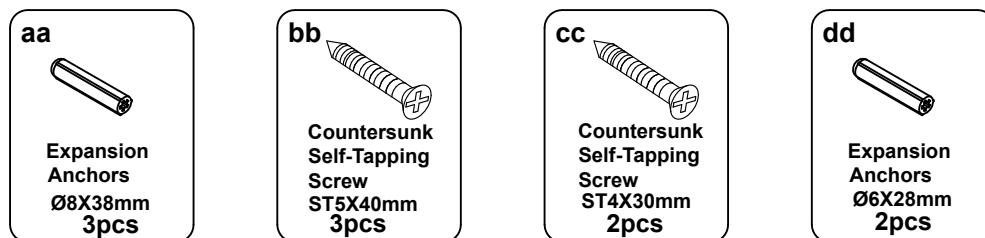
PART#	DESCRIPTION	QTY	PART#	DESCRIPTION	QTY
A	Rail Bracket	2	I	Bottom Guide	1
B	Door Stopper	2	J	Threshold Water Dam	1
C	Glass Railing Stabilizer	2	K	Roller	2
D	Top Guide Rail	1	L	Anti-jump Knob	2
E1	Fixed Panel	1	E2	Sliding Panel	1
F	Fixed Side Bulb Seal	1	M	Sliding Side Bulb Seal	1
G	F-type Seal Strip	1	N	Handle	1
H	F-type Bulb Seal Strip	1			

NOTE Please inspect all parts for any missing items before installation!
If any part is missing, please contact us.

PACKAGE CONTENT



HARDWARE CONTENT



Additional spare parts are included.

NOTE

Inspect all parts for any missing items prior to installation!
Contact us if any parts are missing.


TOOLS REQUIRED

Drill Bits




Ø1/4" & Ø5/16" (6 & 8mm) dia.
HSS

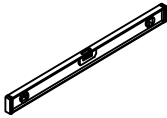
Screw Driver



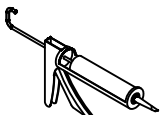
Drill



Level



Sealant



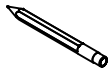
Measuring Tape



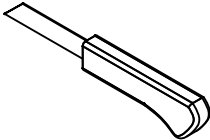
Soft Head Hammer



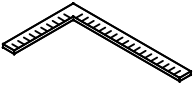
Pencil



Knife



Framing Square




**Masonry Drill Bit For Tile
Ø6mm**



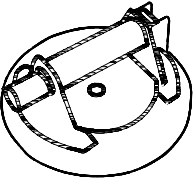
Safety Glasses



Gloves



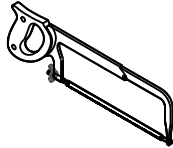
Glass Suction



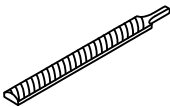
Masking Tape



Hack Saw



Metal File



SAFETY INFORMATION

CAUTION

Please carefully read the following important safety information before handling or installing this shower door. There is a risk of serious injury while handling this product.

To minimize these risks, please note:

- Always wear safety glasses and gloves while handling.
- Always follow the installation instructions.
- Inspect the glass for damage before installation.
- Extreme caution should be taken while handling the glass during installation, as the tempered glass may shatter if it comes into contact with a hard surface.
- Do not cut or modify the tempered glass, as it will shatter if cut.
- Carefully remove the product from its packaging and keep the packaging until the installation is complete.
- Inspect all parts for damage or missing items. If there is any damage or missing parts prior to installation, please contact your seller for help.
- Cover the drain with tape to prevent the loss of small parts.
- The shower base and finished walls should be installed before beginning the shower door installation.
- During installation, protect the shower floor with a drop cloth to prevent damage.
- This product should be installed by two people who are familiar with construction requirements. Professional installation is recommended!
- Keep this installation manual for future reference.

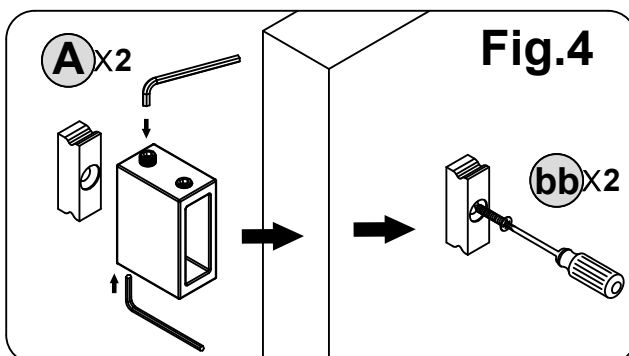
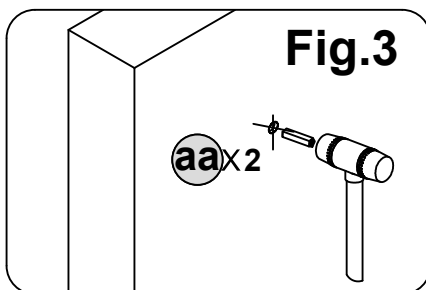
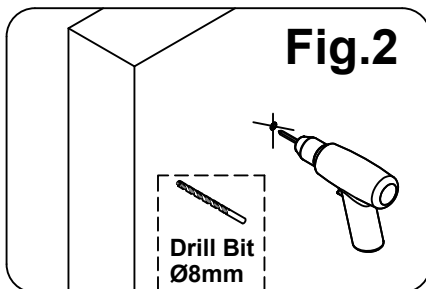
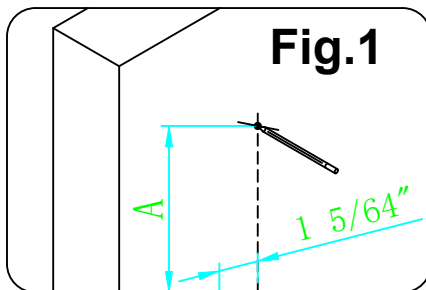
NOTE: Two people should perform this installation.



1 Install Rail Bracket (A) Base

1. Mark position at height [A] (see table), 1 5/64" (27.5mm) from edge.
2. Drill Ø8mm hole at mark.
3. Tap **expansion anchors (aa)** into wall using soft-head hammer.
4. Secure left/right **Rail Brackets (A)** to wall with ST5x45 countersunk self-tapping screws.

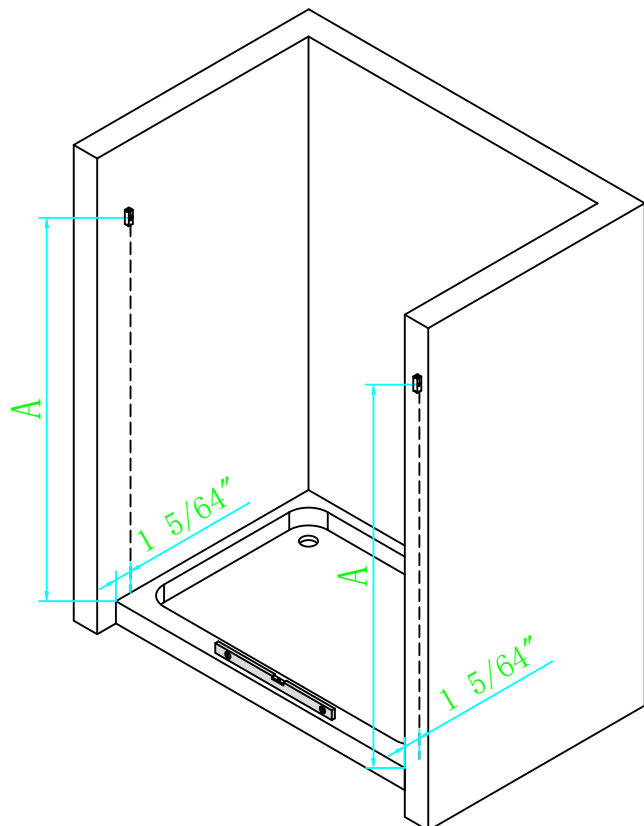
NOTE



H Product Height	A
1524mm(60")	1463mm(57 5/8")
1676mm(66")	1615mm(63 5/8")
1828mm(72")	1767mm(69 5/8")
1880mm(74")	1819mm(71 5/8")
1930mm(76")	1869mm(73 5/8")
1981mm(78")	1920mm(75 5/8")
2006mm(79")	1945mm(76 5/8")

*A=productheight-61mm(2 3/8")

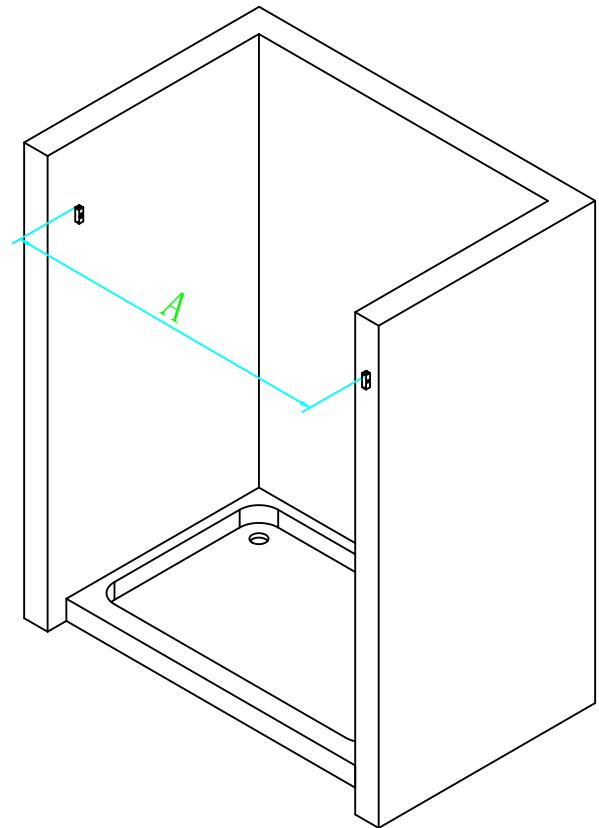
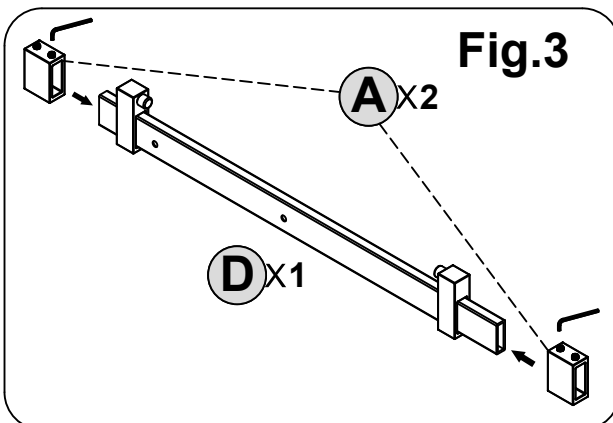
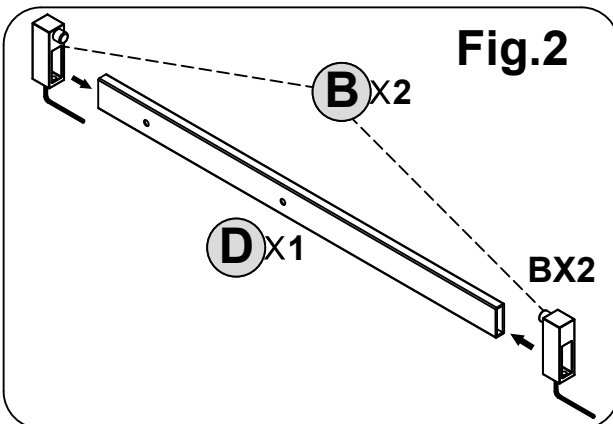
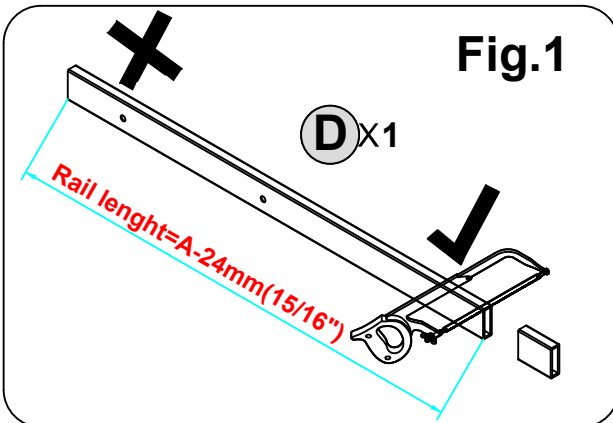
*Without the size, please contact the local dealer.



2 Top Guide Rail (D) Preparation

NOTE

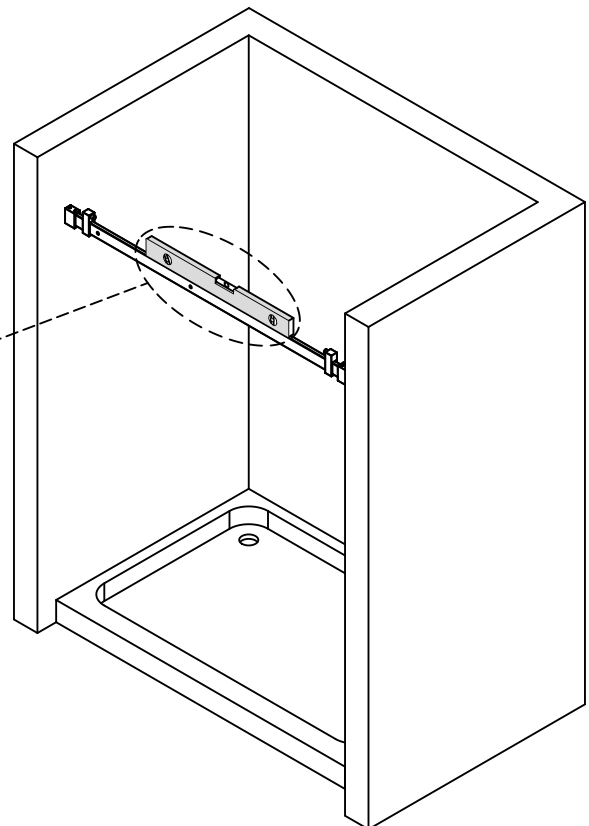
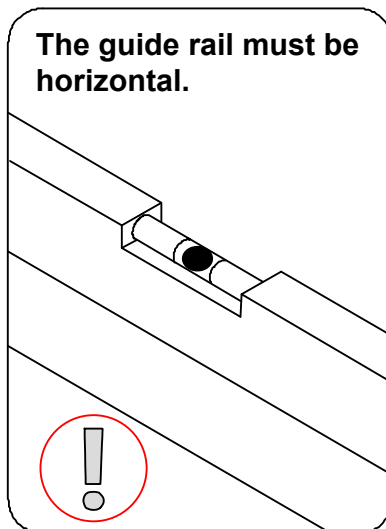
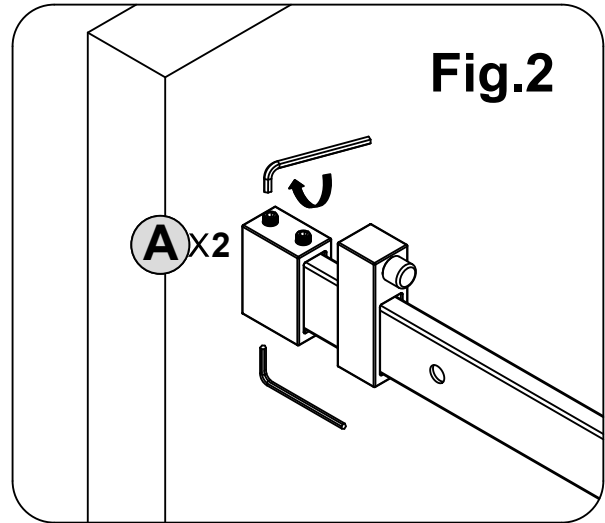
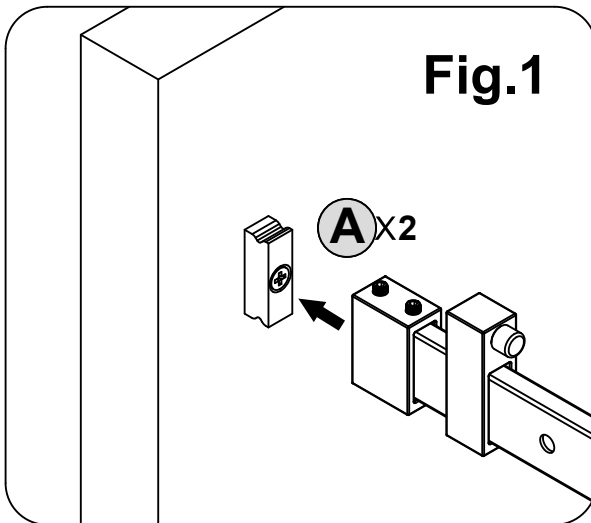
1. Measure and cut excess length from **Top Guide Rail (D)**.
2. Loosen set screws on **Door Stoppers (B)** and slide onto **Top Guide Rail (D)**.
3. Loosen set screws on **Rail Brackets (A)** and slide onto **Top Guide Rail (D)**.



3 Install **Top Guide Rail (D)**

NOTE

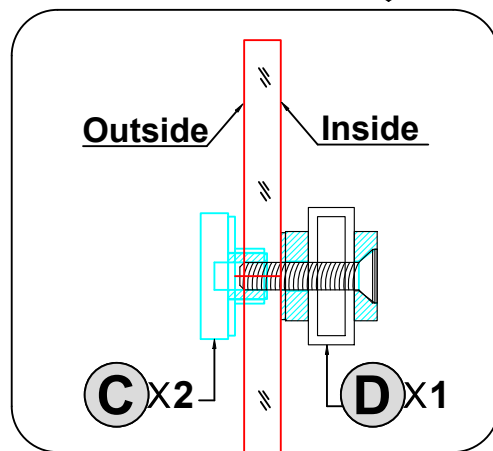
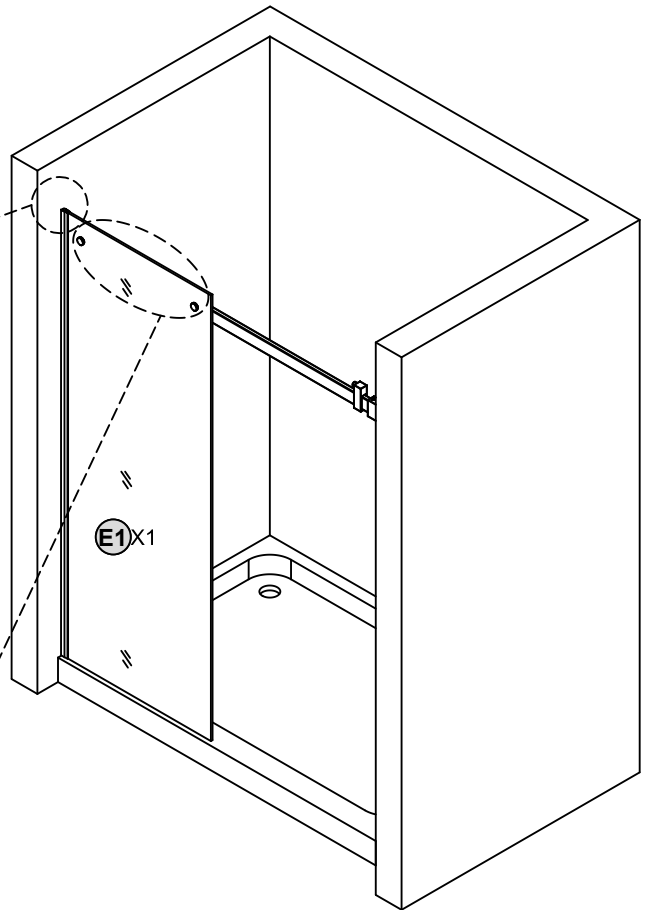
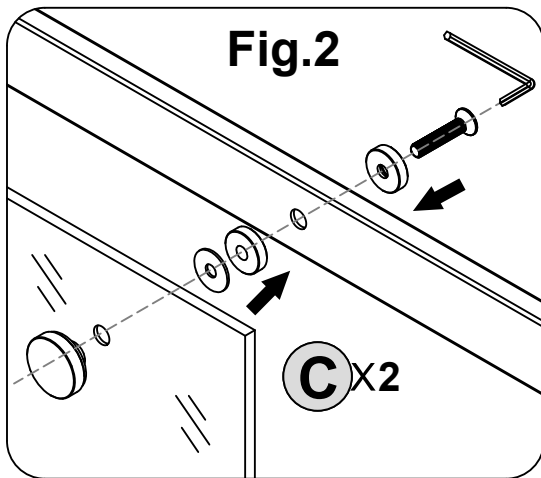
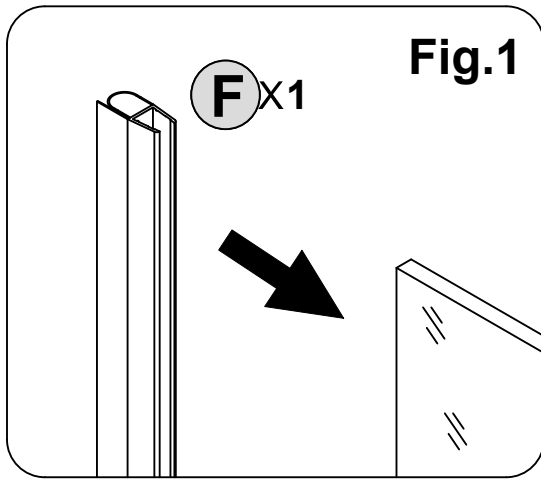
1. Mount left/right **Rail Brackets (A)** onto wall brackets.
2. Tighten all set screws on **Rail Brackets (A)** and **Top Guide Rail (D)** with Allen wrench.



4 Install **Fixed Panel (E1)**

NOTE

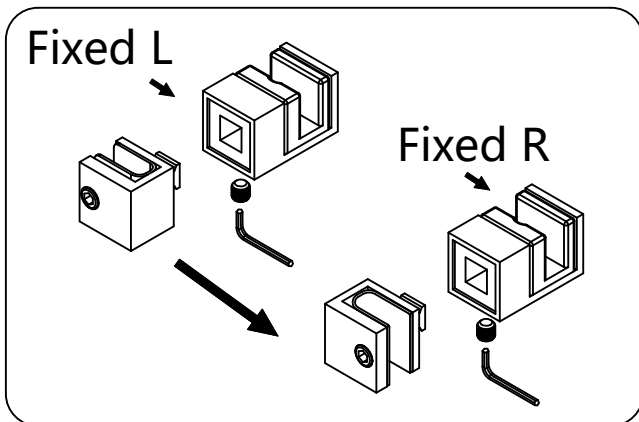
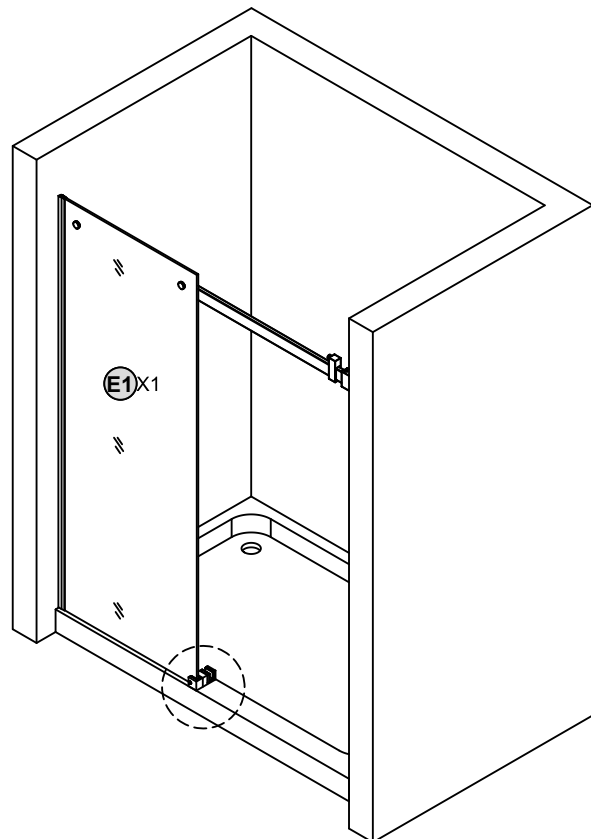
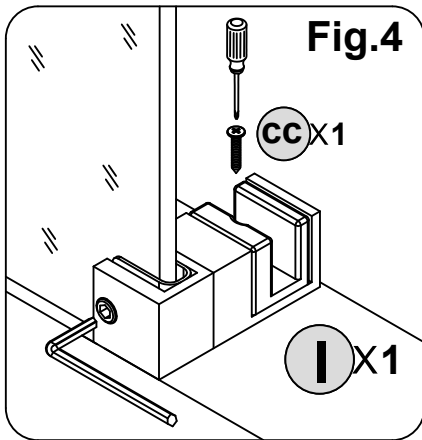
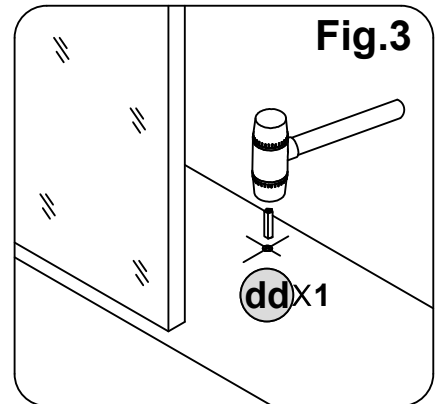
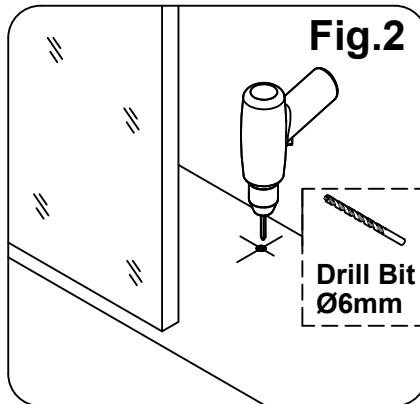
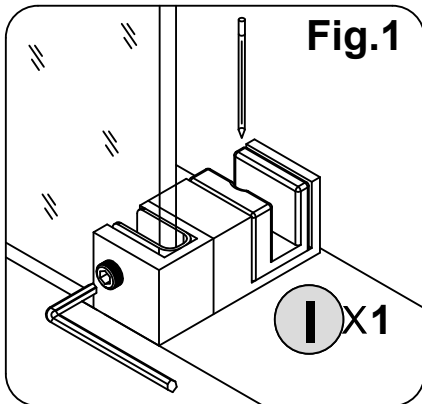
1. Clip **Fixed Side Bulb Seal (F)** onto **Fixed Panel (E1)** against the wall.
2. Align holes on **Fixed Panel (E1)** with **Top Guide Rail (D)**. Secure with **Glass Railing Stabilizers (C)**.



5 Install **Bottom Guide (I)**

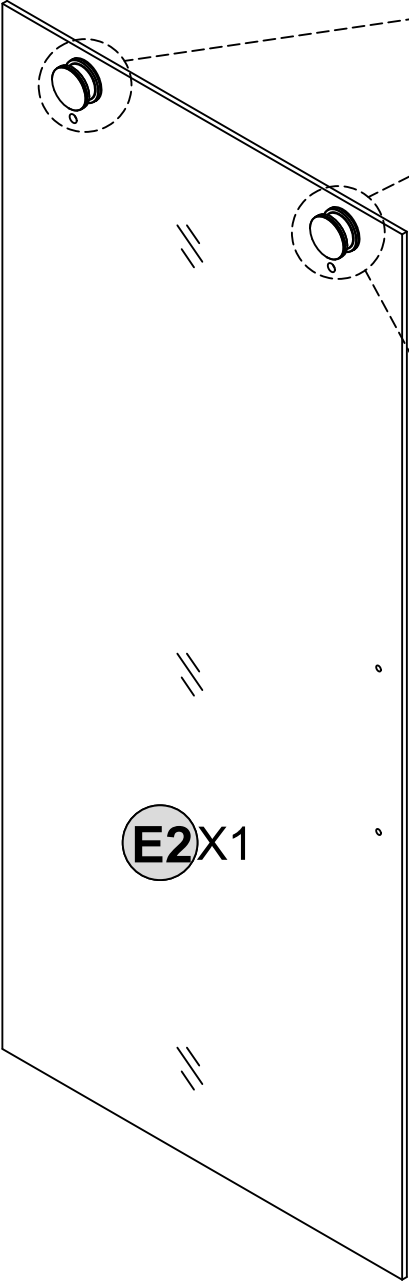
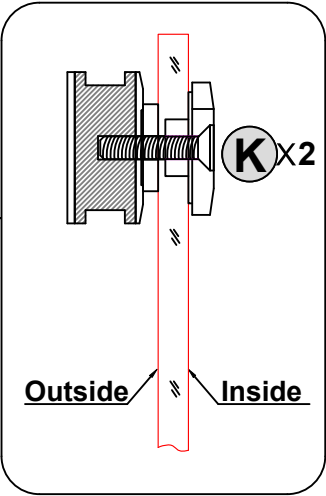
NOTE

1. Loosen set screw on **Bottom Guide (I)**. Position against **Fixed Panel (E1)** and mark holes.
2. Drill $\varnothing 6\text{mm}$ holes at marks.
3. Insert **expansion anchors (dd)** with soft-head hammer.
4. Secure **Bottom Guide (I)** to floor with **ST4x30 countersunk screws (cc)**. Tighten set screw.

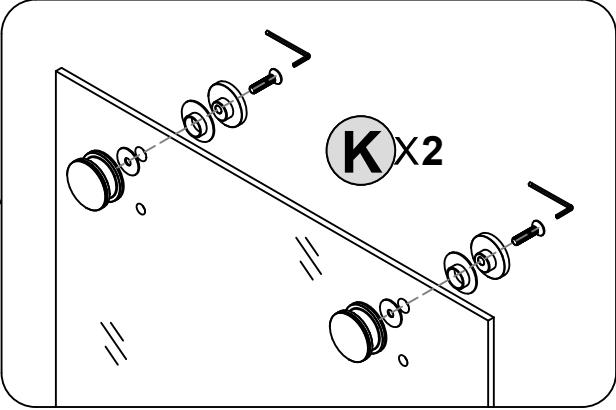


6 Install **Rollers (K)**

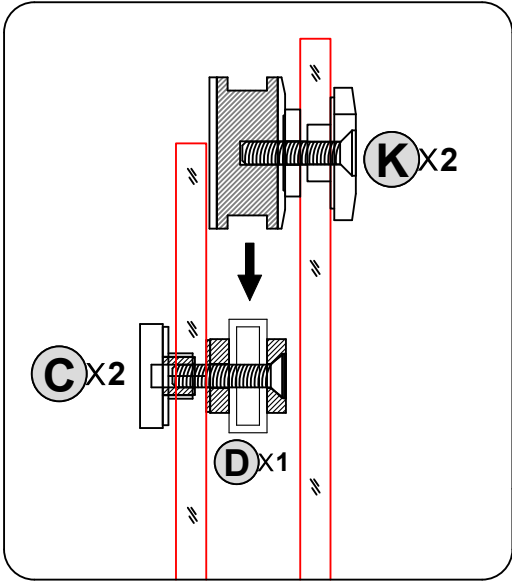
NOTE Wheels facing outside



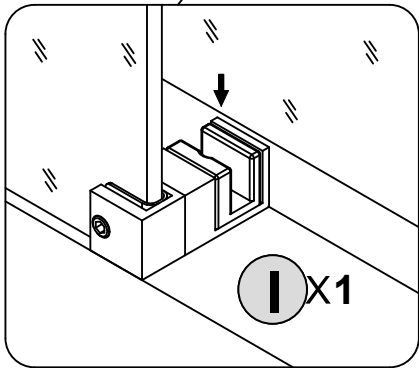
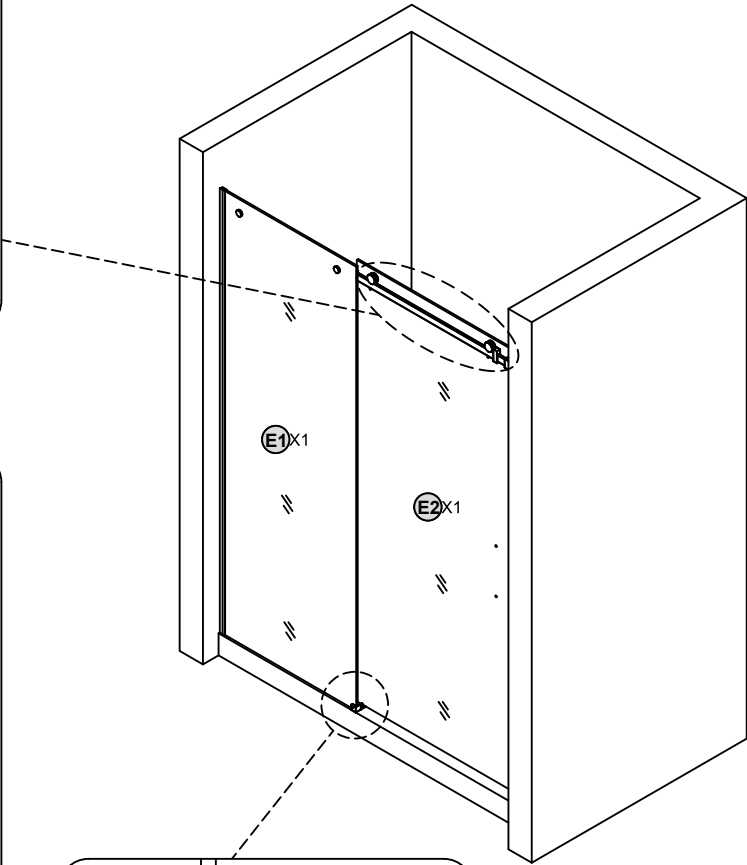
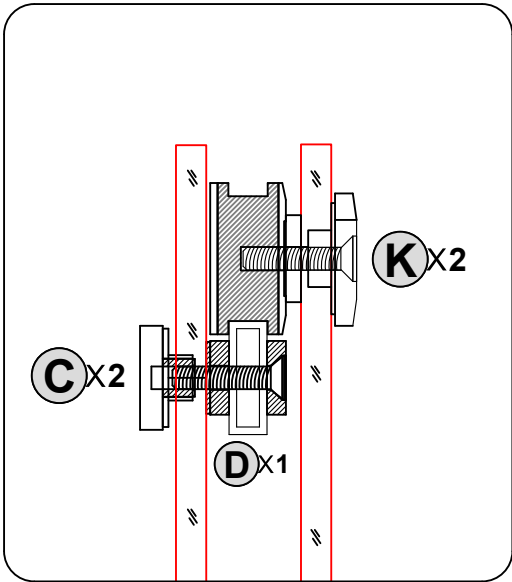
Attach **Rollers (K)** to **Sliding Panel (E2)** with wheels facing **OUTSIDE**. Tighten with Allen wrench.



7 Install **Sliding Panel (E2)**



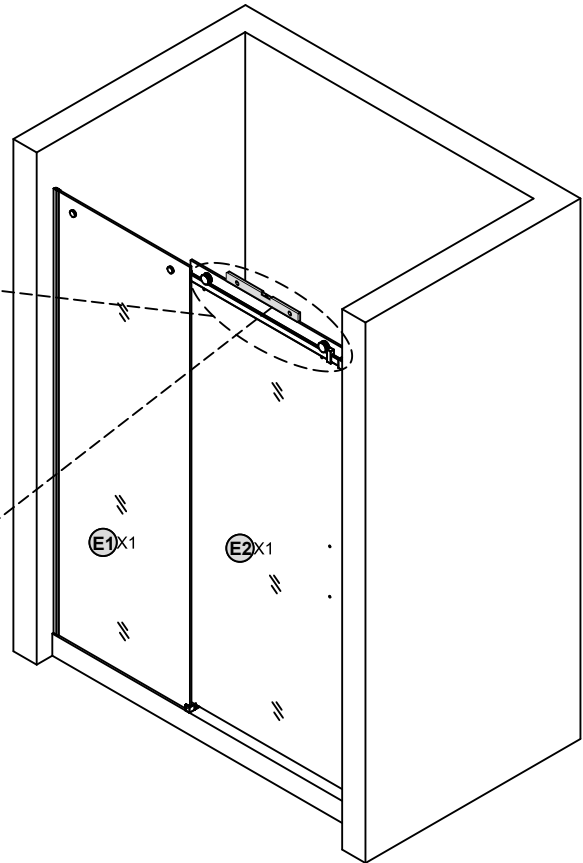
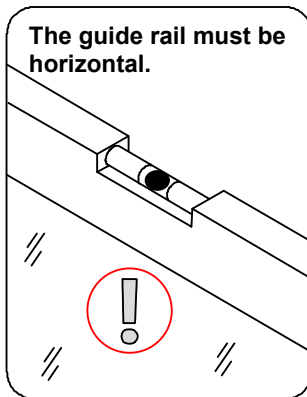
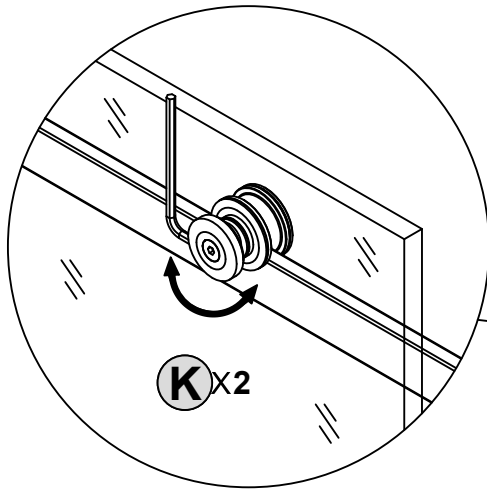
NOTE Lift **Sliding Panel (E2)** and engage **Rollers (K)** into **Top Guide Rail (D)**. Insert the bottom of **Sliding Panel (E2)** into **Bottom Guide (I)** slot.



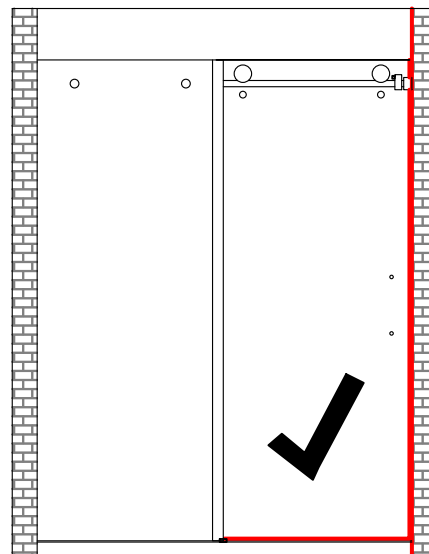
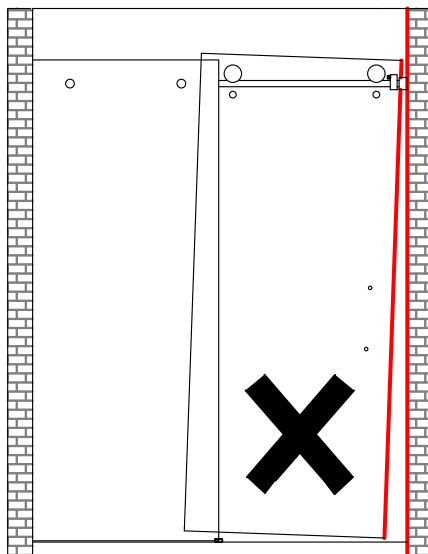
8 Adjust Sliding Panel (E2) Height

NOTE

Rotate the **Roller (K)** to adjust **Roller (K)** height to ensure smooth sliding. Align door edge parallel to wall for proper seal when closed.



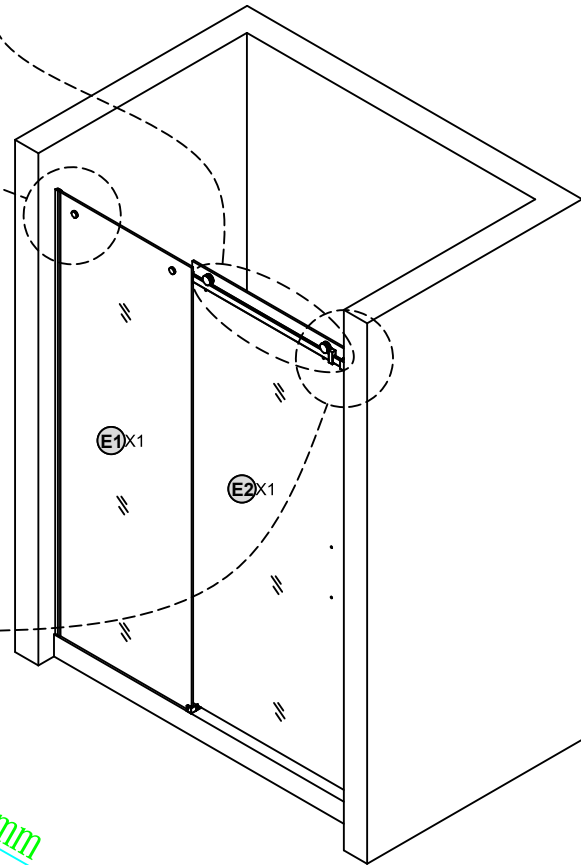
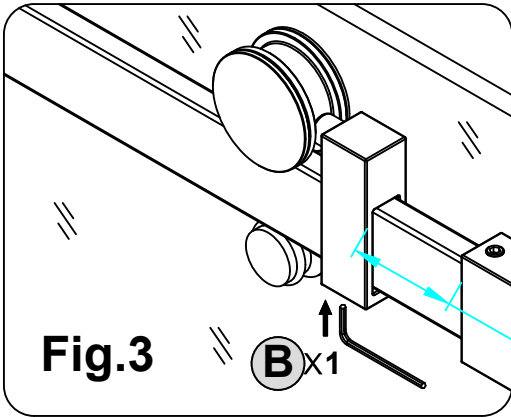
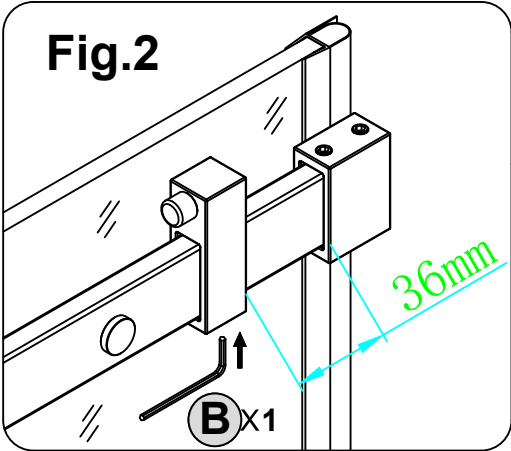
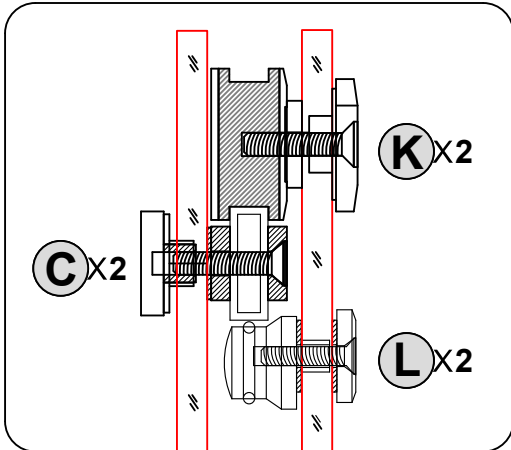
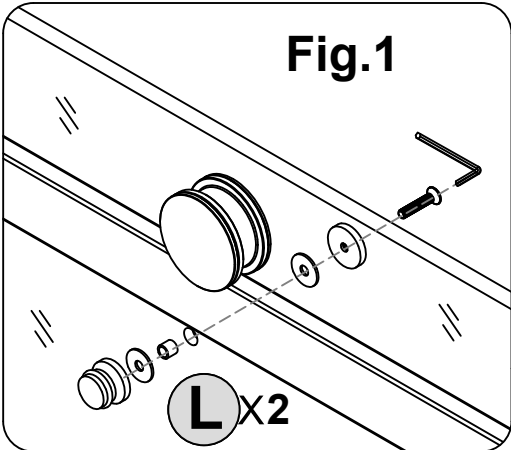
NOTE



9 Install **Anti-Jump Knobs (L)**

- 1. Install **Anti-Jump Knobs (L)** on **Sliding Panel (E2)**.
- 2. Position fixed panel side **Door Stopper (B)** 1 27/64" (36mm) from **Rail Bracket (A)**. Tighten set screw.
- 3. Position Sliding Panel side **Door Stopper (B)** 1 9/32" (32.5mm) from **Rail Bracket (A)**. Tighten set screw.

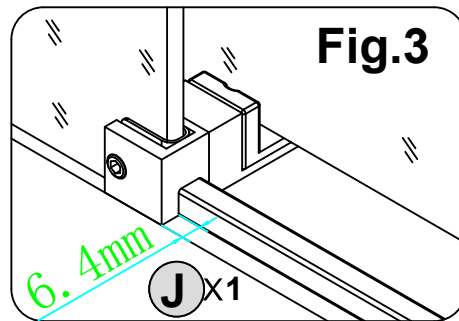
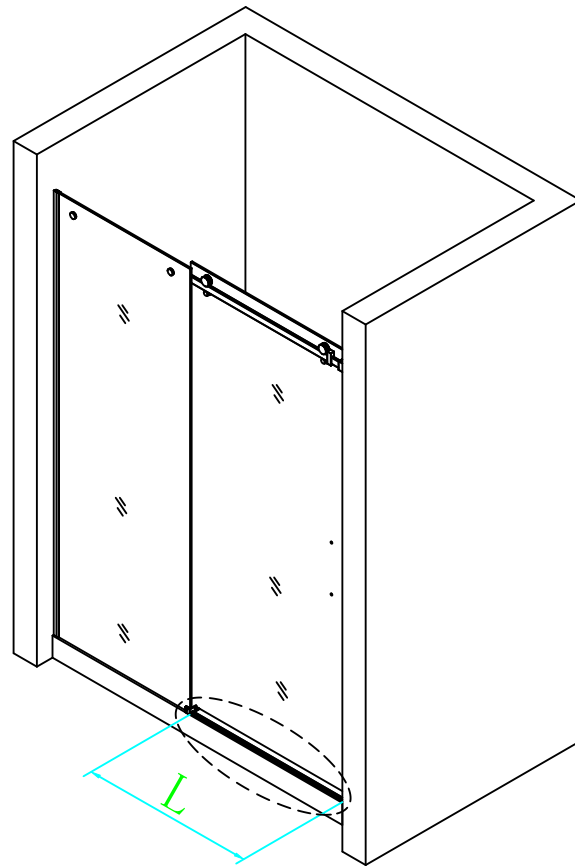
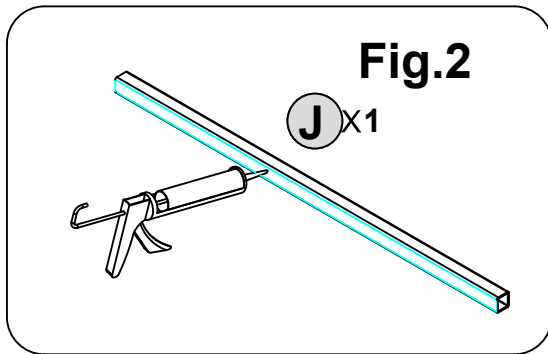
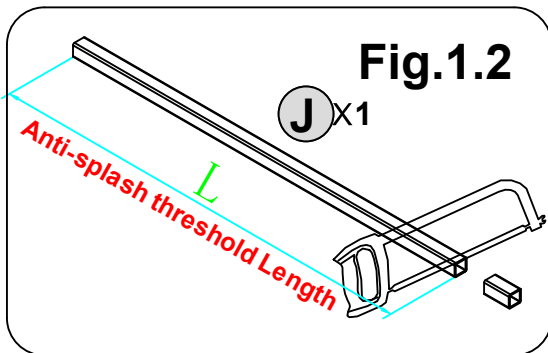
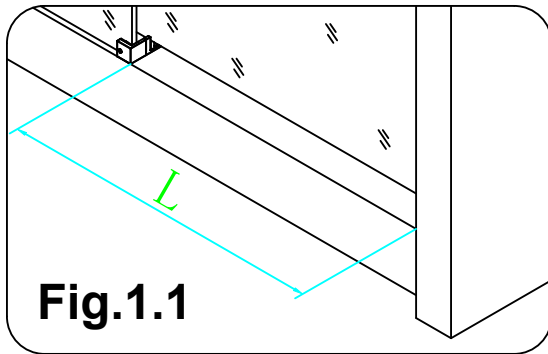
NOTE



10 Install Threshold Water Dam (J)

NOTE

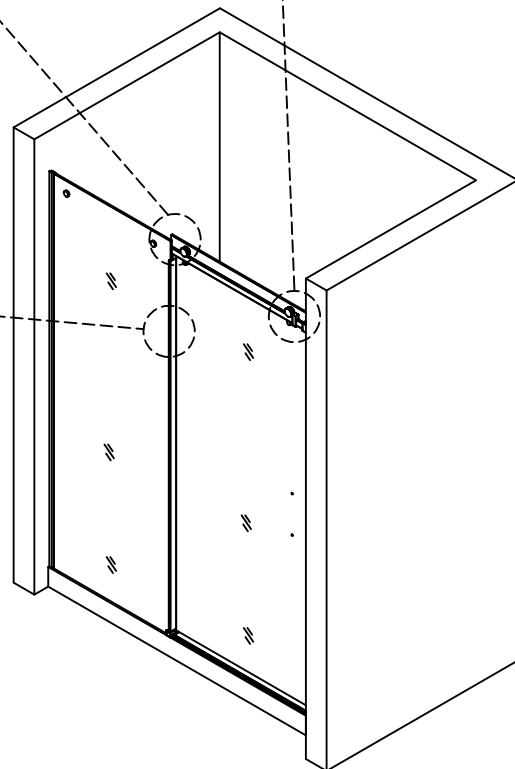
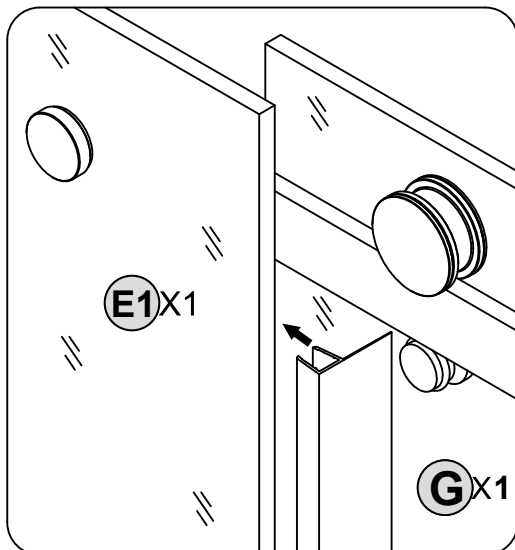
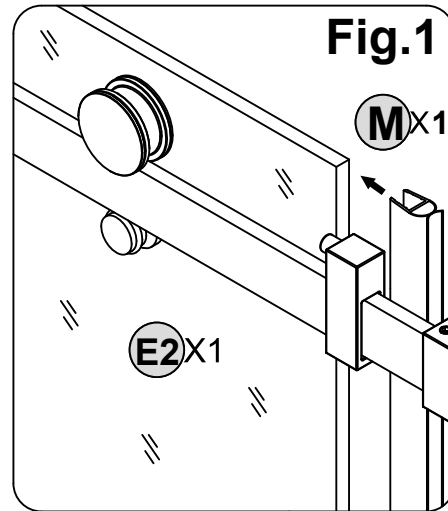
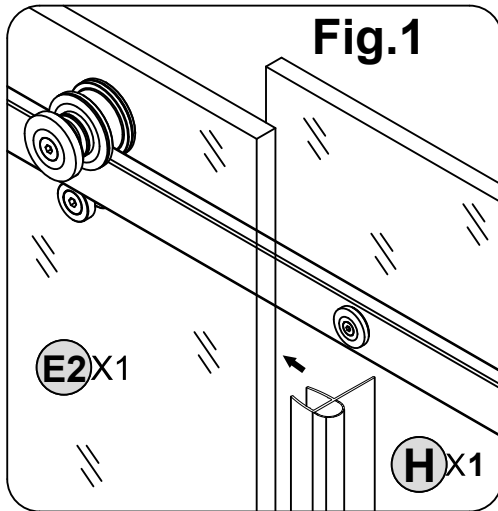
1. Measure the length [L] and cut the excess part of **Threshold Water Dam (J)**.
2. Apply silicone sealant to bottom of **Threshold Water Dam(J)**.
3. Install **Threshold Water Dam(J)** 6.4mm from edge of **Bottom Guide (I)**.



11 Install **Seals(H&M&G)**

NOTE

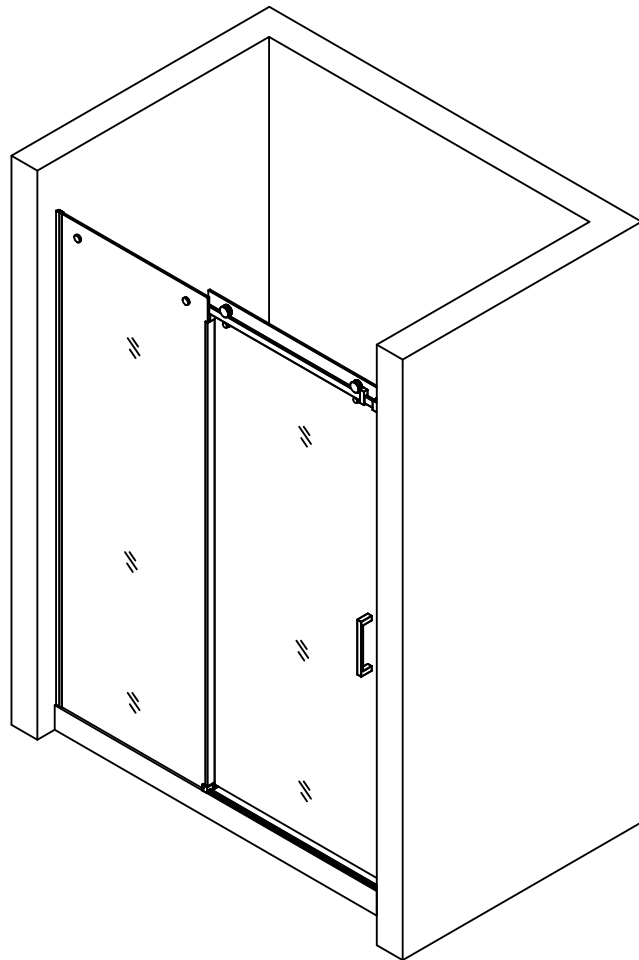
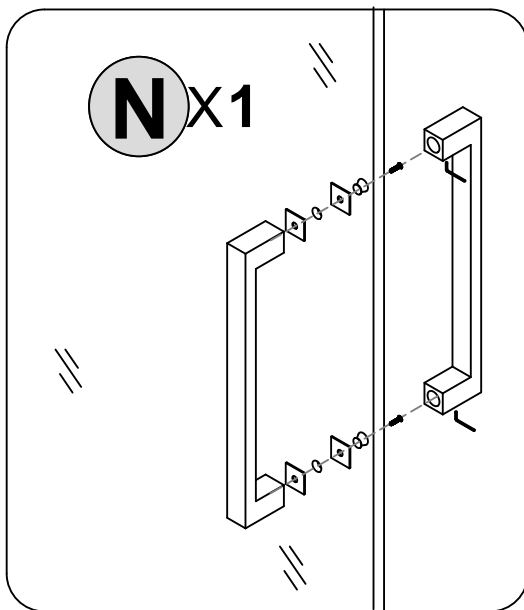
- 1.Clip **F-type Bulb Seal Strip (H)** onto **Sliding Panel (E2)**.
- 2.Clip **Sliding Side Bulb Seal (M)** onto **Sliding Panel (E2)** against the wall.
- 3.Clip **F-type Seal Strip (G)** onto **Fixed Panel (E1)**.



12 Install **Handle (N)**

NOTE

Mount **Handle (N)** on **Sliding Panel (E2)**.
Use all provided plastic washers to protect glass.



13 SEALING

NOTE The surfaces need to be clean and free of debris before applying silicone.

NOTE Make sure the shower door is tightly closed and opens smoothly. Apply high-quality asbestos sealant along the bottom of the fixed glass and the bottom of the lower water barrier.



Allow 24 hours for the silicone to cure before using the shower.



! Apply Silicone Sealant, (not supplied).

Apply silicone around the fixed glass and the lower water barrier.

