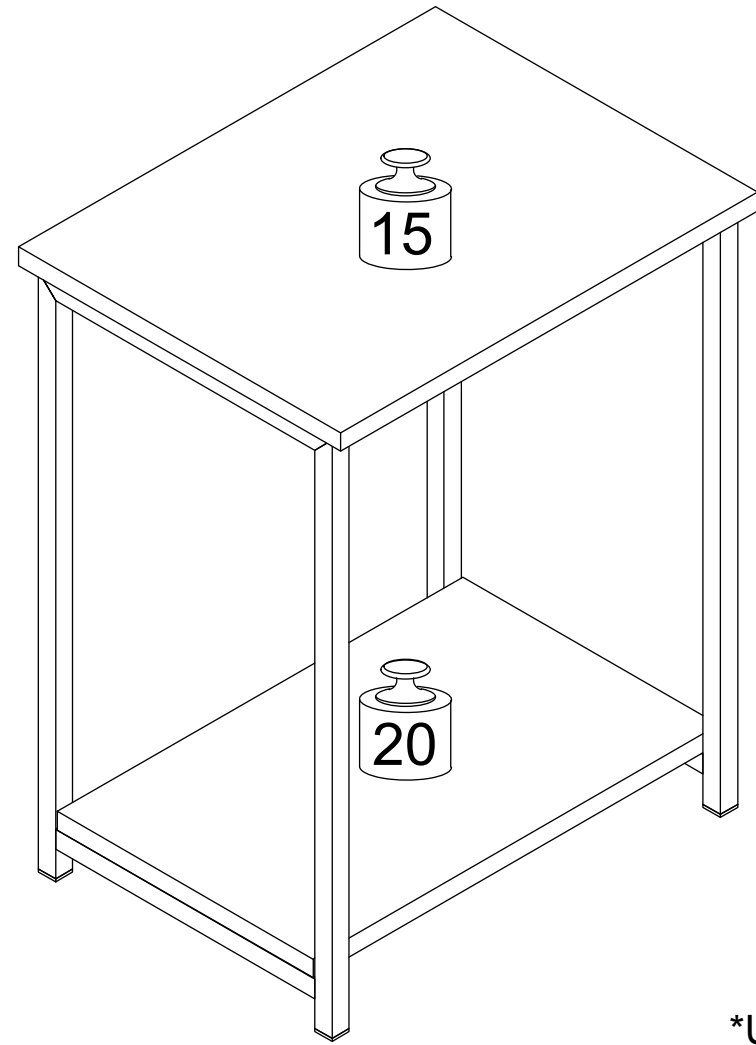


Recommended Maximum Weight





*Unit in Pound(lbs.)

WARNING:

- >This unit has been designed to support the maximum loads shown. Exceeding these load limits could cause sagging, instability, product collapse, and/or serious injury.
- >DO NOT allow children to climb on unit.
- > Put heavier items on lower shelves.

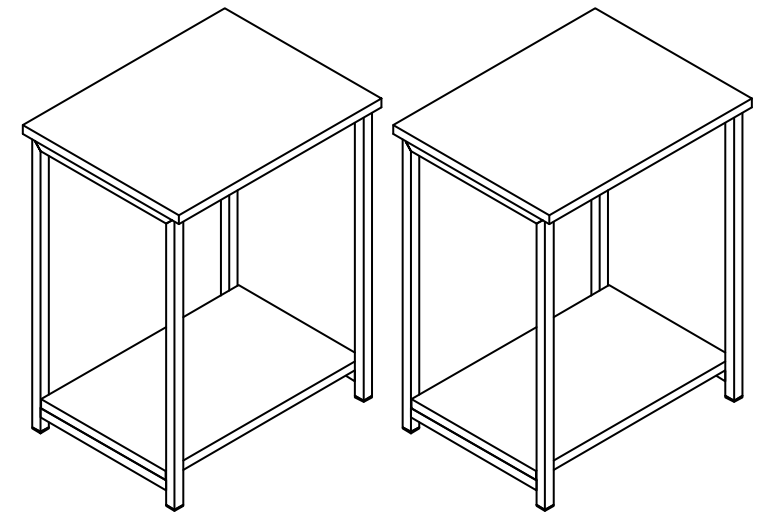
00:20
Approx. 20 minutes


Recomm. 1 Person


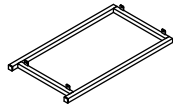

Tools Required

Assembly Instruction

End Table , Set of Two

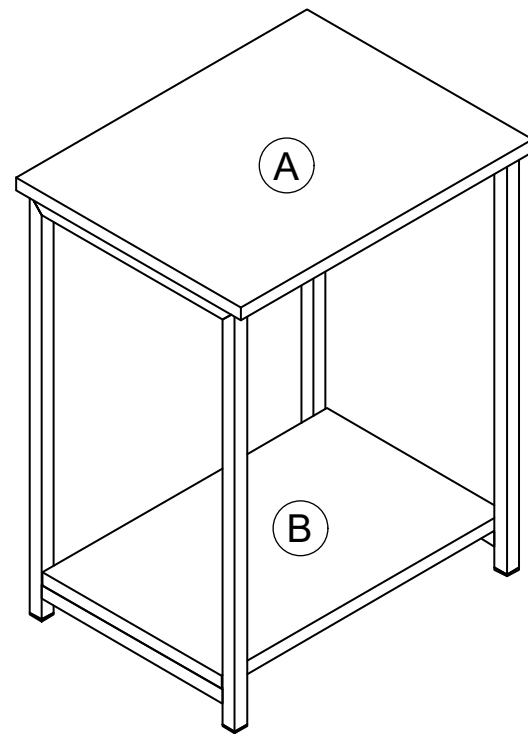


HARDWARE & PARTS LIST

NO	HARDWARE LIST	QTY
1	SCREW 	16pcs
2	METAL FRAME 	4pcs

NO	PART LIST	QTY
A	TOP PANEL	2pcs
B	SHELF PANEL	2pcs

*All the hardware quantity are for two sets.



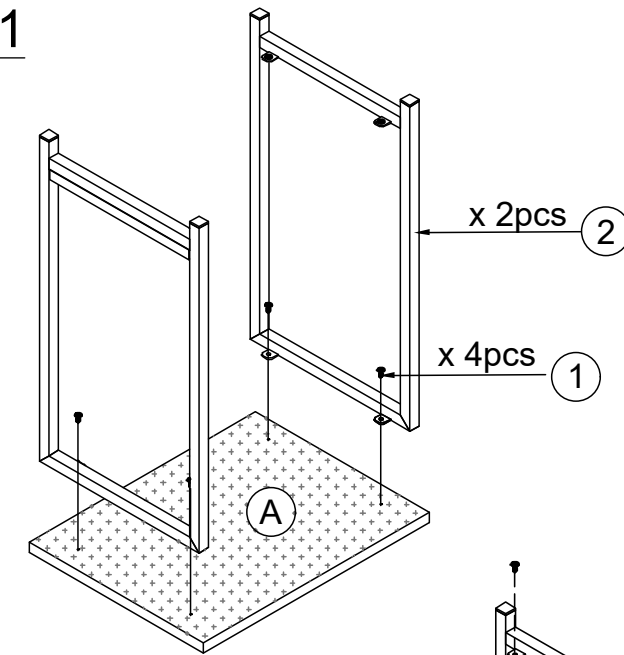
USEFUL HINTS BEFORE YOU START:

1. Read each step carefully before starting.
2. It is important that each step is performed in correct order to avoid difficulties.
3. Identify, sort and count the parts before assembly.
4. Assemble your furniture on packaging cardboard to prevent scratch or damage.
5. Clean the product with mild cleanser using soft damped cloth. Do not use harsh or abrasive cleanser.
6. Using incompatible hardware might cause damage to product.

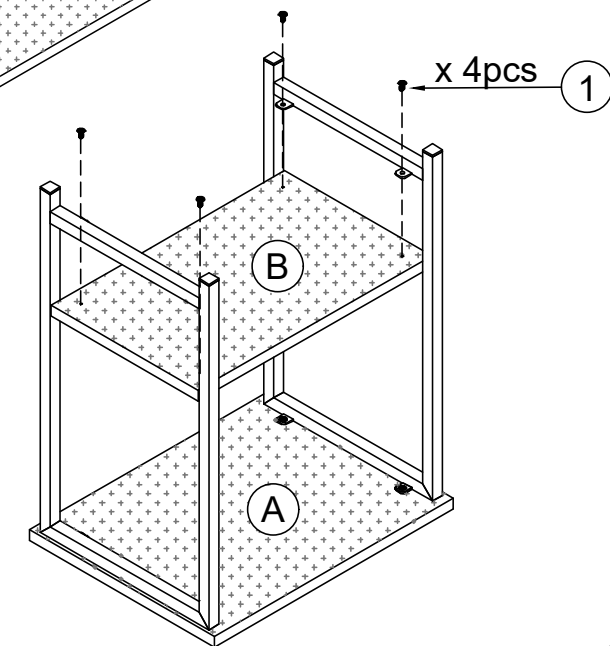
ASSEMBLY INSTRUCTIONS

BEFORE YOU BEGIN, PLEASE READ ASSEMBLY INSTRUCTIONS CAREFULLY, FOLLOW THEM STEP BY STEP.

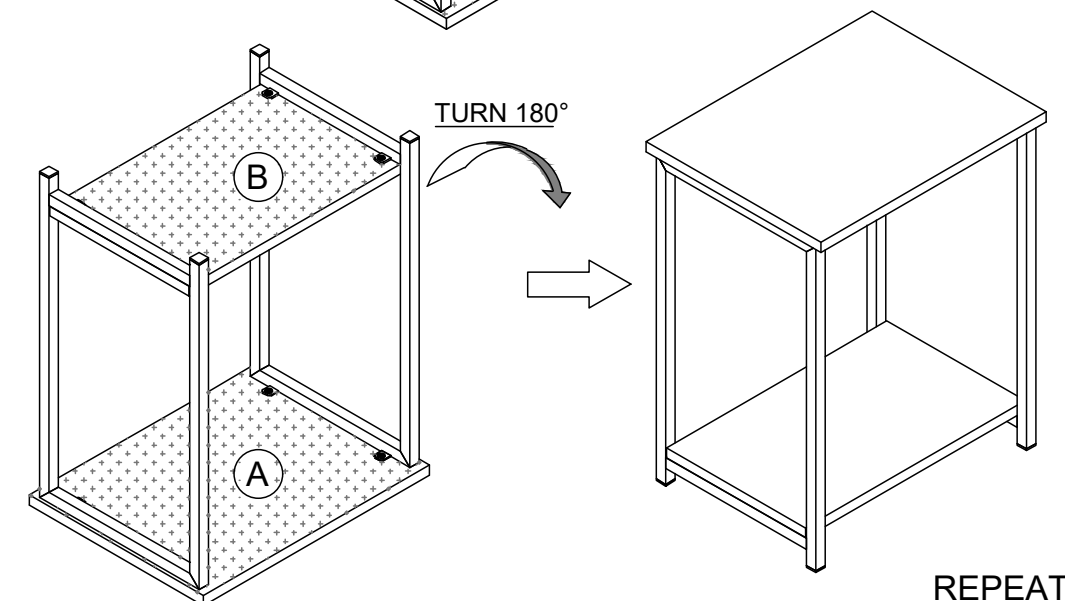
STEP 1



STEP 2



STEP 3



REPEAT X 2