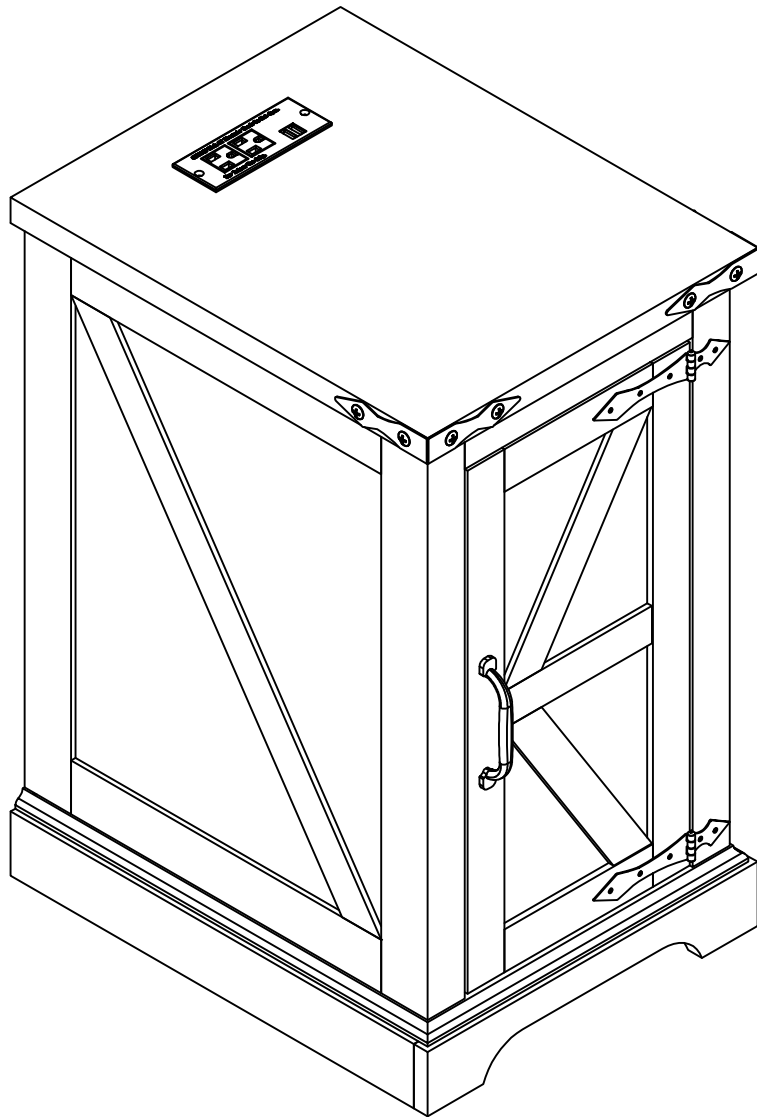
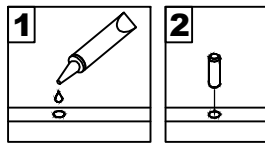


Assembly Instructions

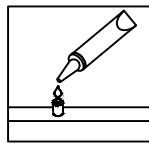


General Assembly Guidelines

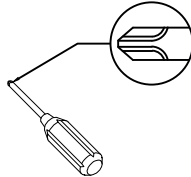
- I. Ensure that all parts and hardware are available before beginning assembly.
- II. Follow each step carefully to ensure the proper assembly of this product.
- III. Two people are recommended for ease in the assembly of this product.
- IV. The three main types of hardware used to assemble this product are : wood dowels , screws and bolts.
- V. The provided glue is to secure wood dowels in place . When first inserting dowels , locate the appropriate hole for the dowel , place a small amount of glue in the hole and insert the dowel . Wipe away excess glue immediately.



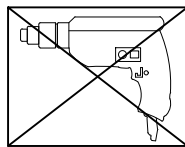
In future assembly steps when dowels are necessary to attach assembly parts together , place a small amount of glue on the end of the dowel before attaching parts together . Wipe away excess glue immediately.



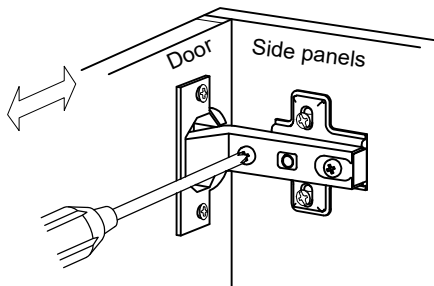
- VI. A Phillips head screwdriver is required for the assembly of this product .



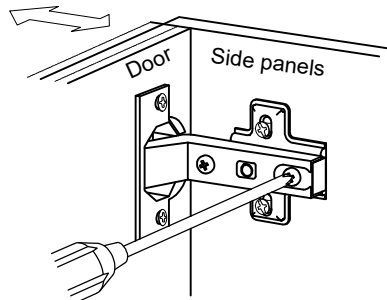
- VII. Power tools should not be used to assemble this product .



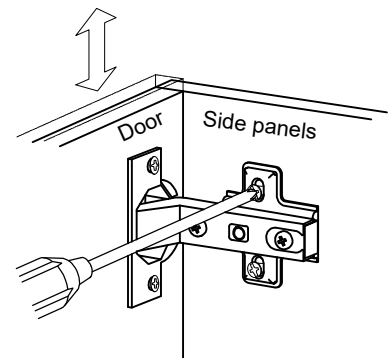
- VIII. Concealed hinges are three-way adjustable.



Horizontal
by screw adjustment

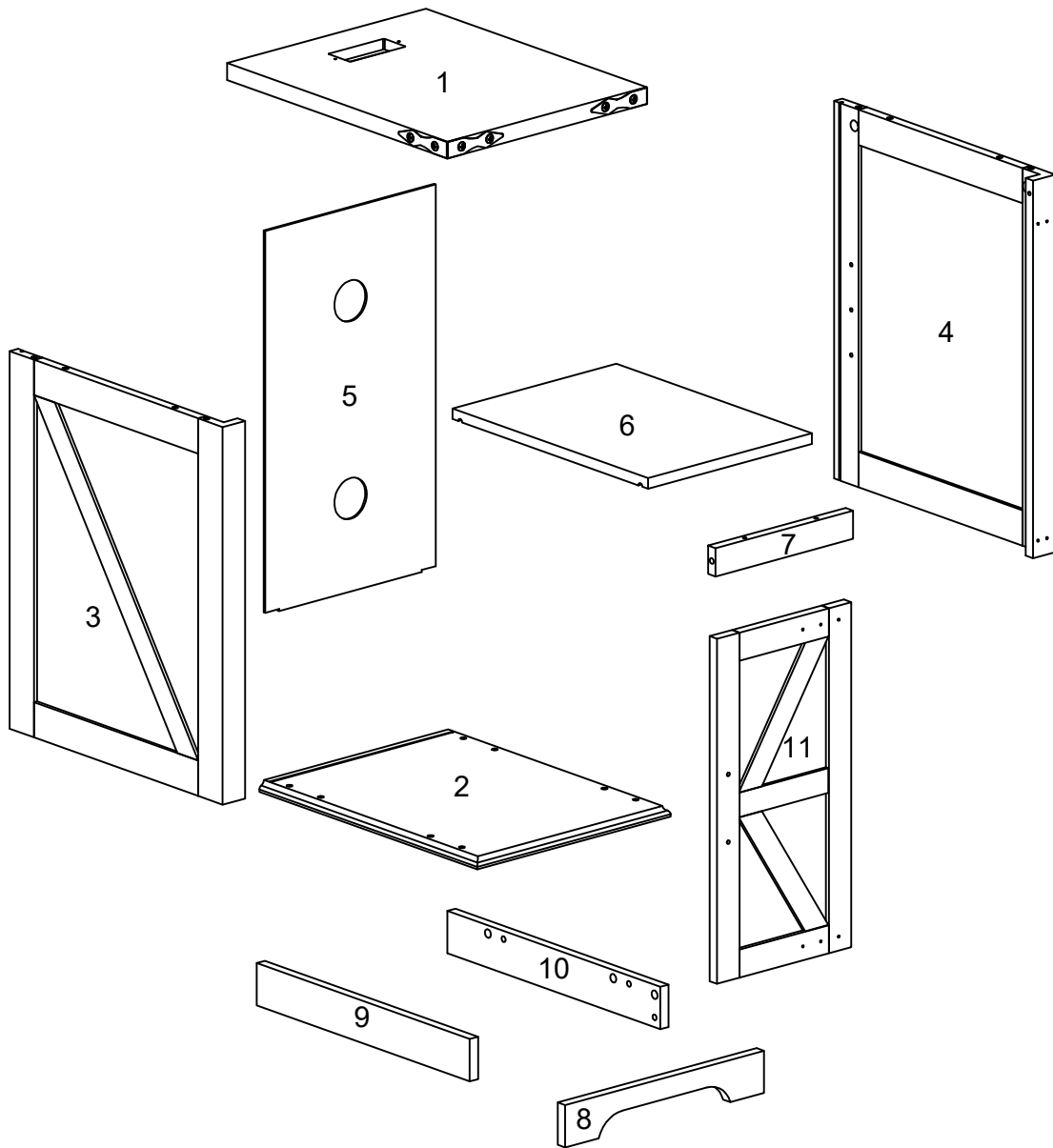


In-and-Out
by loosening the hinge-arm
mounting screw or via cam
adjustment


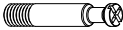



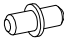





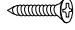








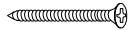


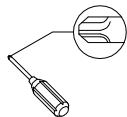
Vertical
Via slots in the mounting
plate or via cam adjustment

Parts List



Hardware List

A		Ø8x30mm	Wooden dowel	8	pcs
B		Ø6x35mm	Cam bolt	6	pcs
C		Ø15x11mm	Cam lock	6	pcs
D		Ø30mm	Sticker	6	pcs
E			White glue	1	pc
F		Ø8x5x16mm	Shelf support pin	4	pcs
G		Ø6x40mm	Screw	4	pcs
H		Ø3*15mm	Screw	4	pcs
I		Ø96mm	Hold hands	1	pc
J		Ø4x19mm	Screw	2	pcs
K			Plastic wedge	6	pcs
L		Ø3x17mm	Screw	6	pcs
M		M4	Hex Key	1	pc
N			Sockets	1	pc
O			Magnetic	1	pc
P			Magnet sheet	1	pc
Q			Angular Code	8	pcs
R		M6*12mm	Screw	16	pcs
S			Arrowhead hinge	2	pcs
T		Ø3*12mm	Screw	10	pcs
U		Ø4x45mm	Screw	2	pcs

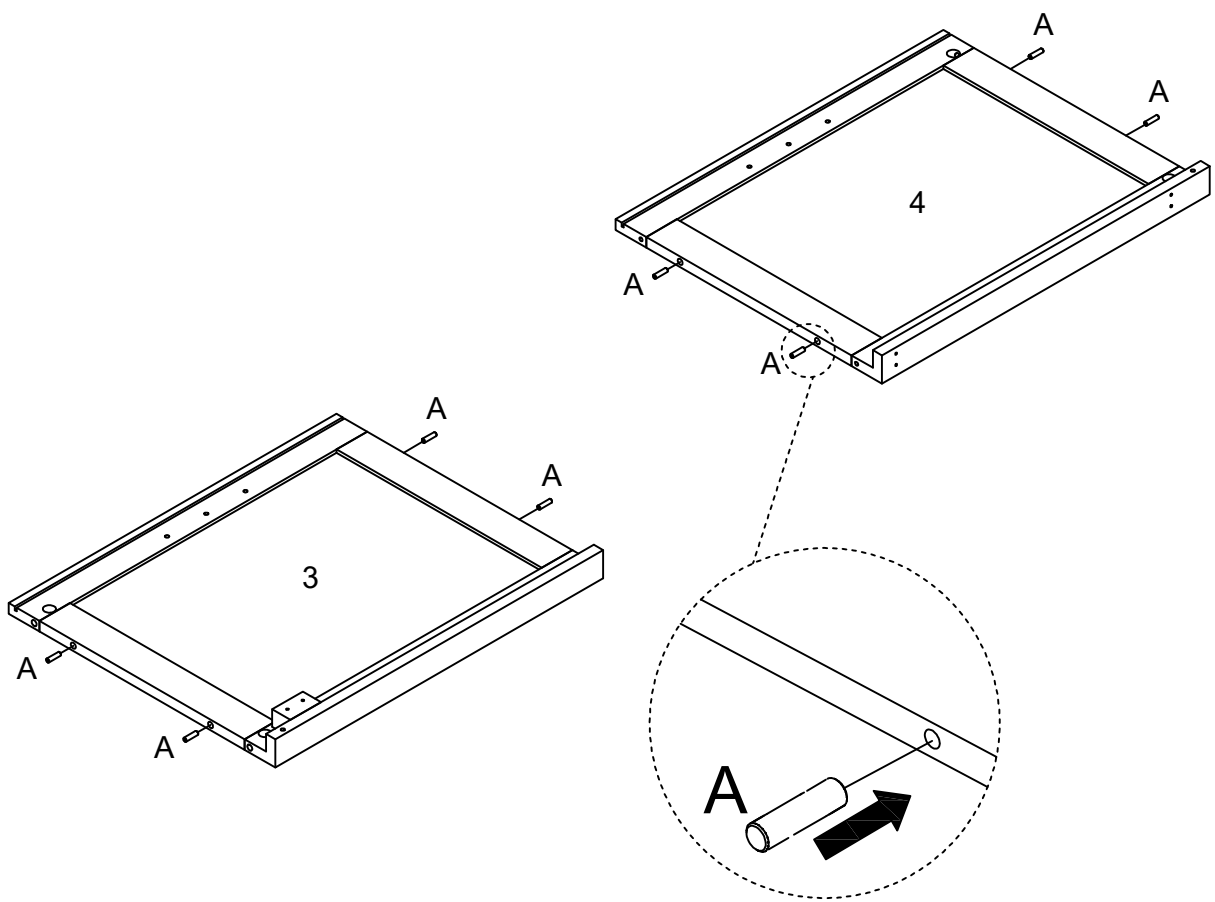



Philips head screwdriver required for assembly

(not included)

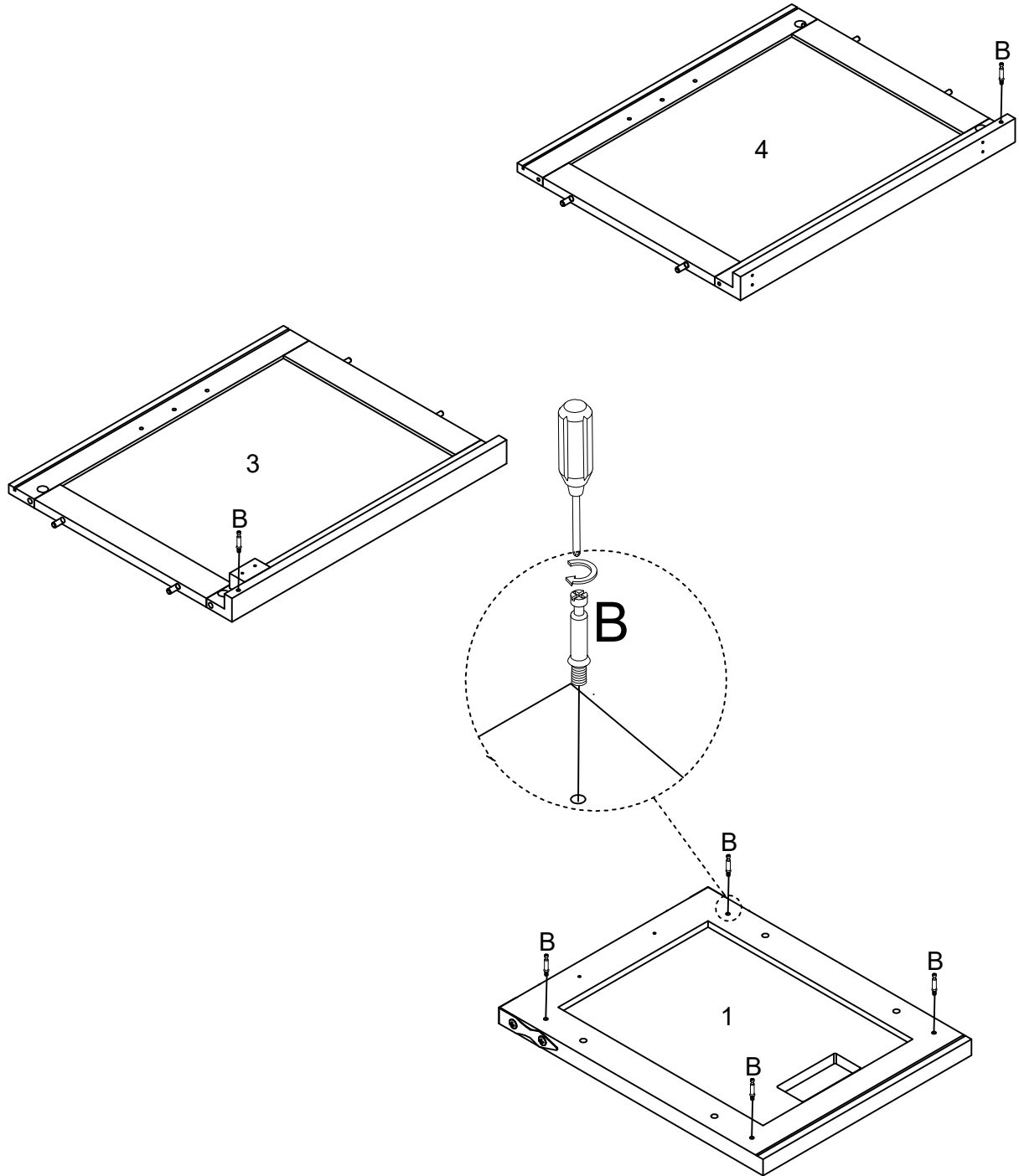
*The hardware quantities listed above are required for proper assembly.
Some extra hardware may also have been included.*

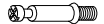
Step 1



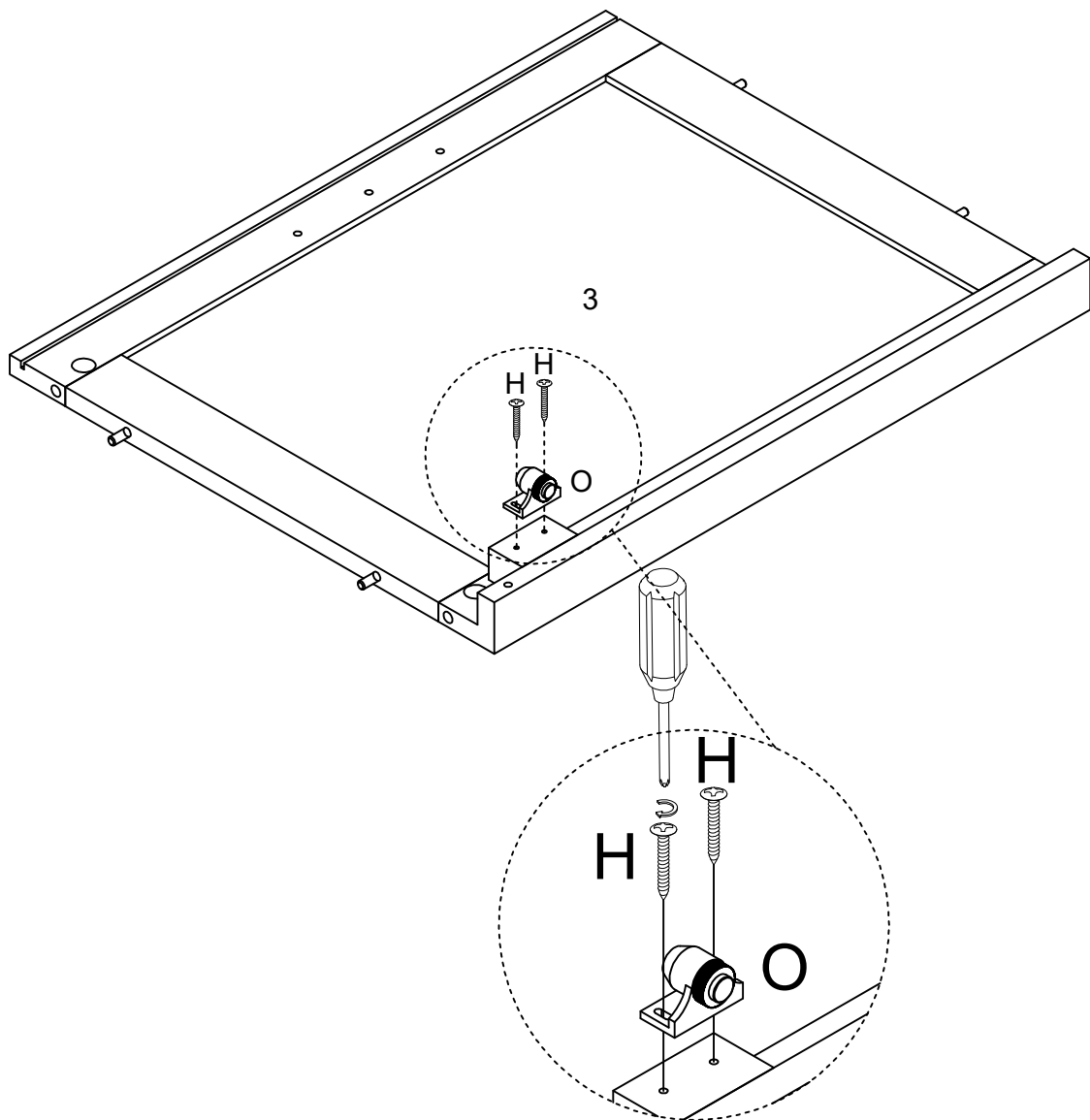
A

X8



Step 2



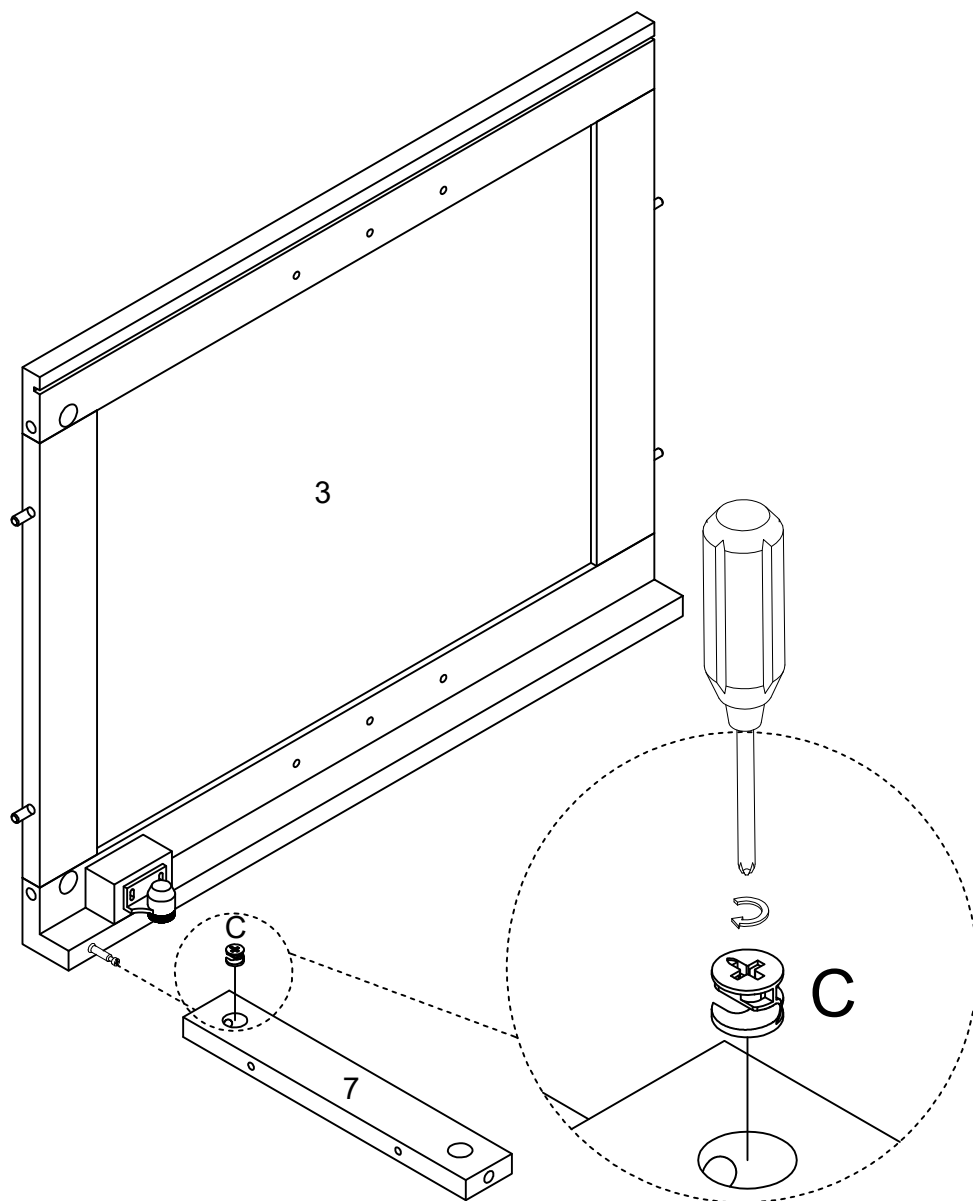
B

X6


Step 3



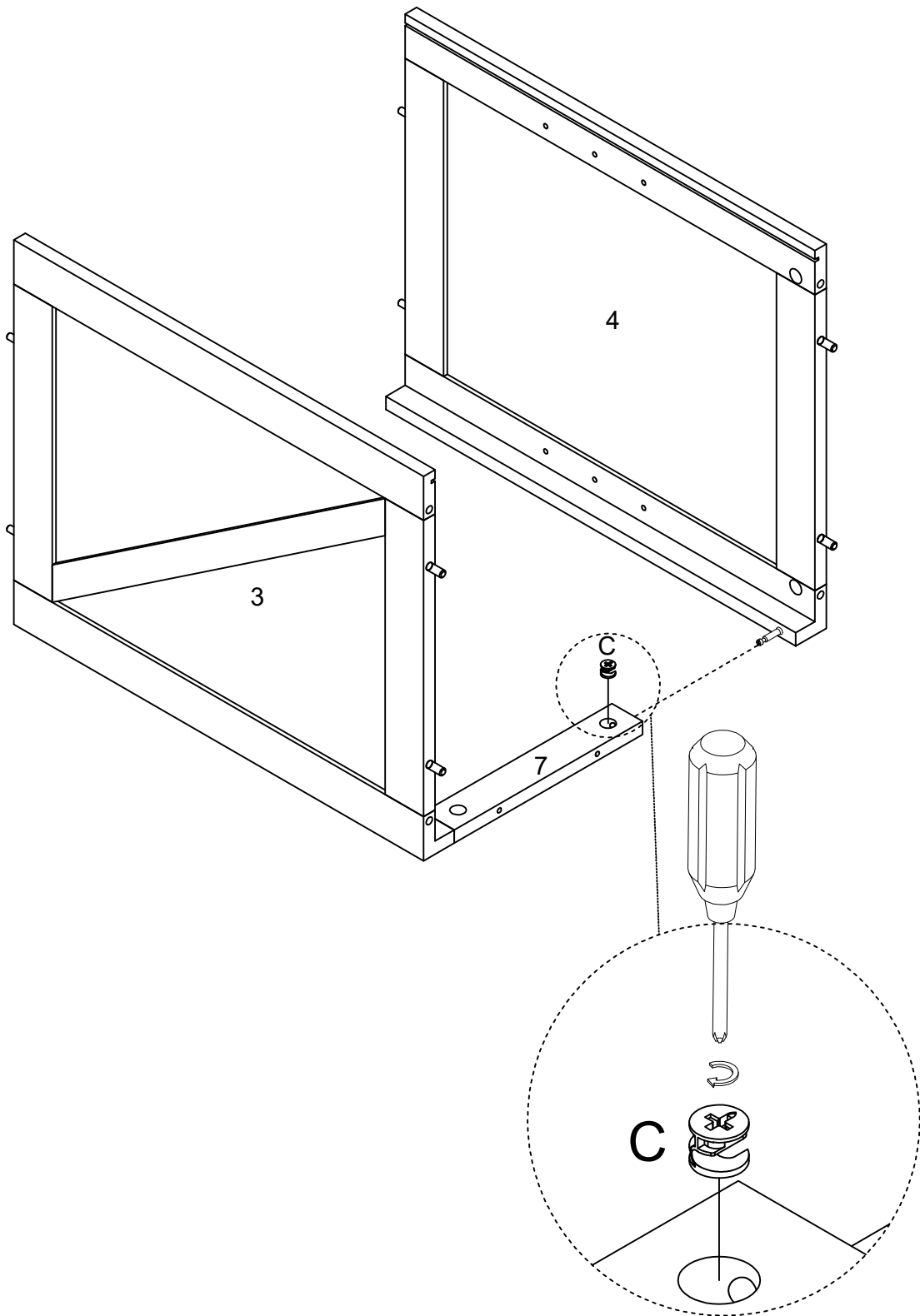
H	O
	
X2	X1


Step 4



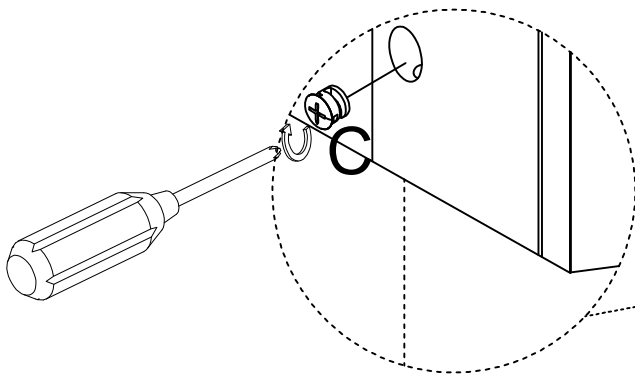
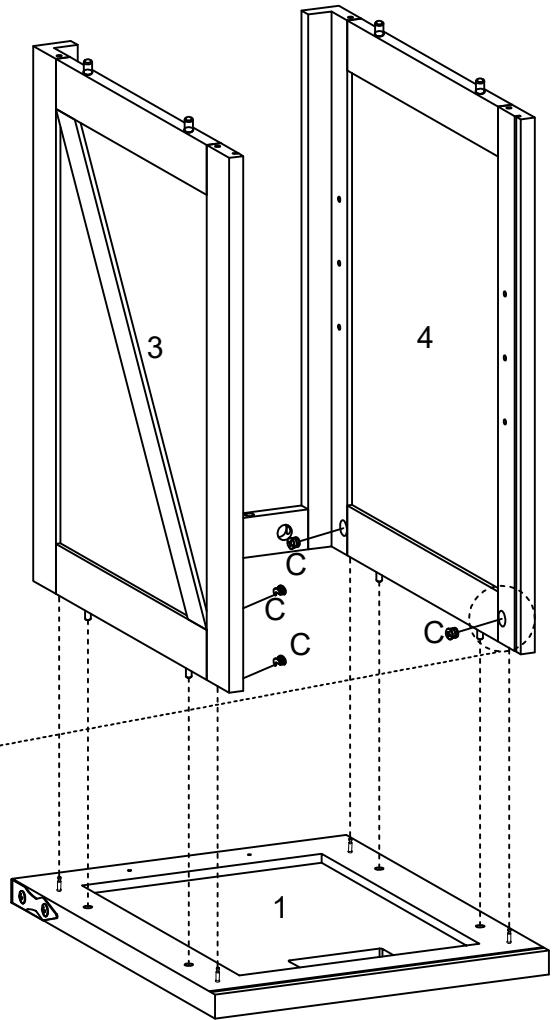
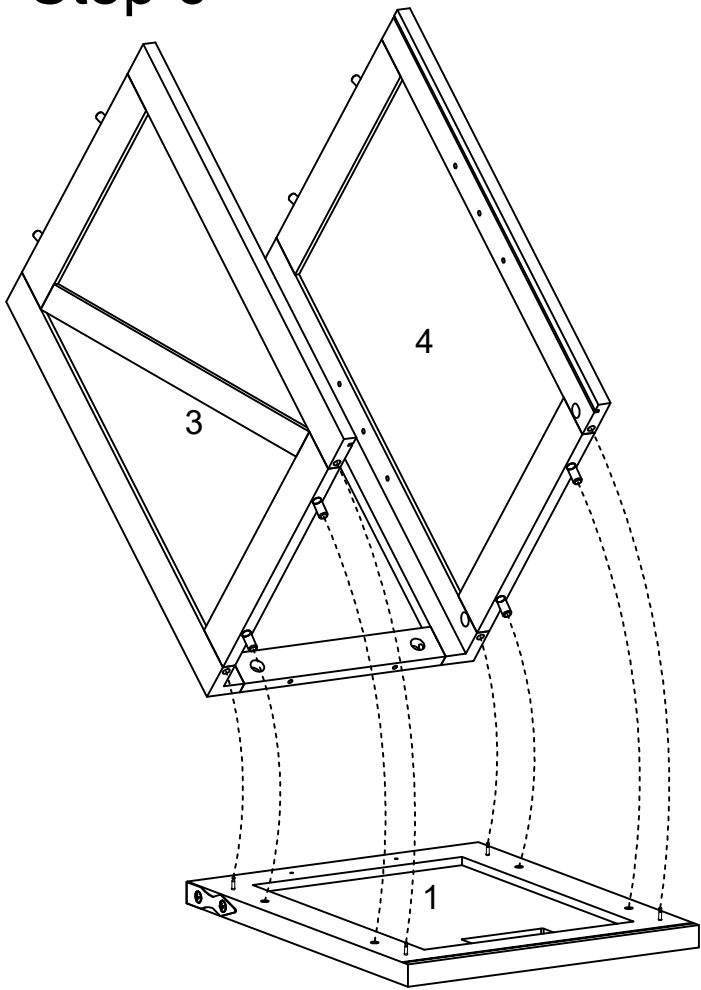
C

X1


Step 5



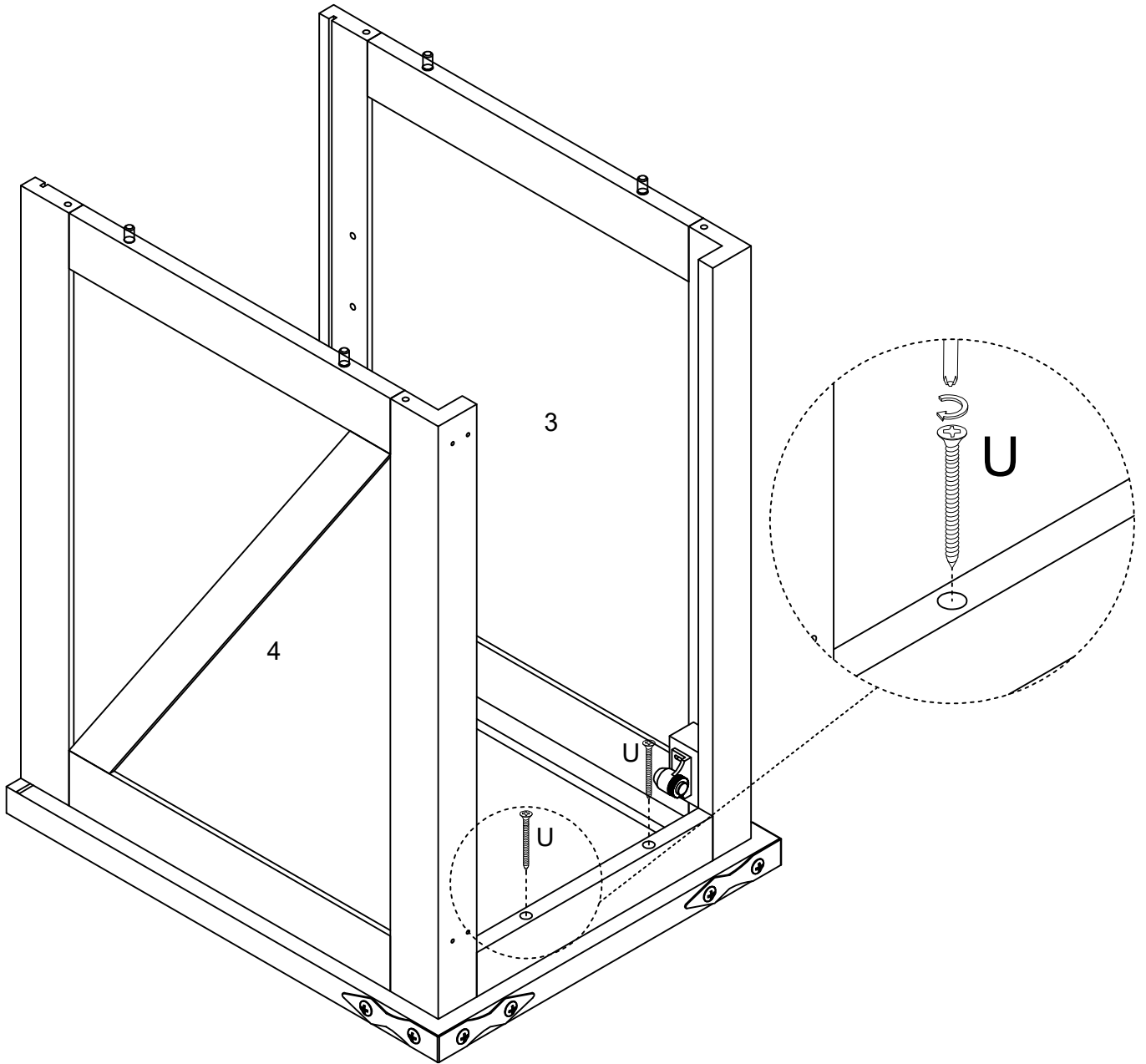
C

X1


Step 6



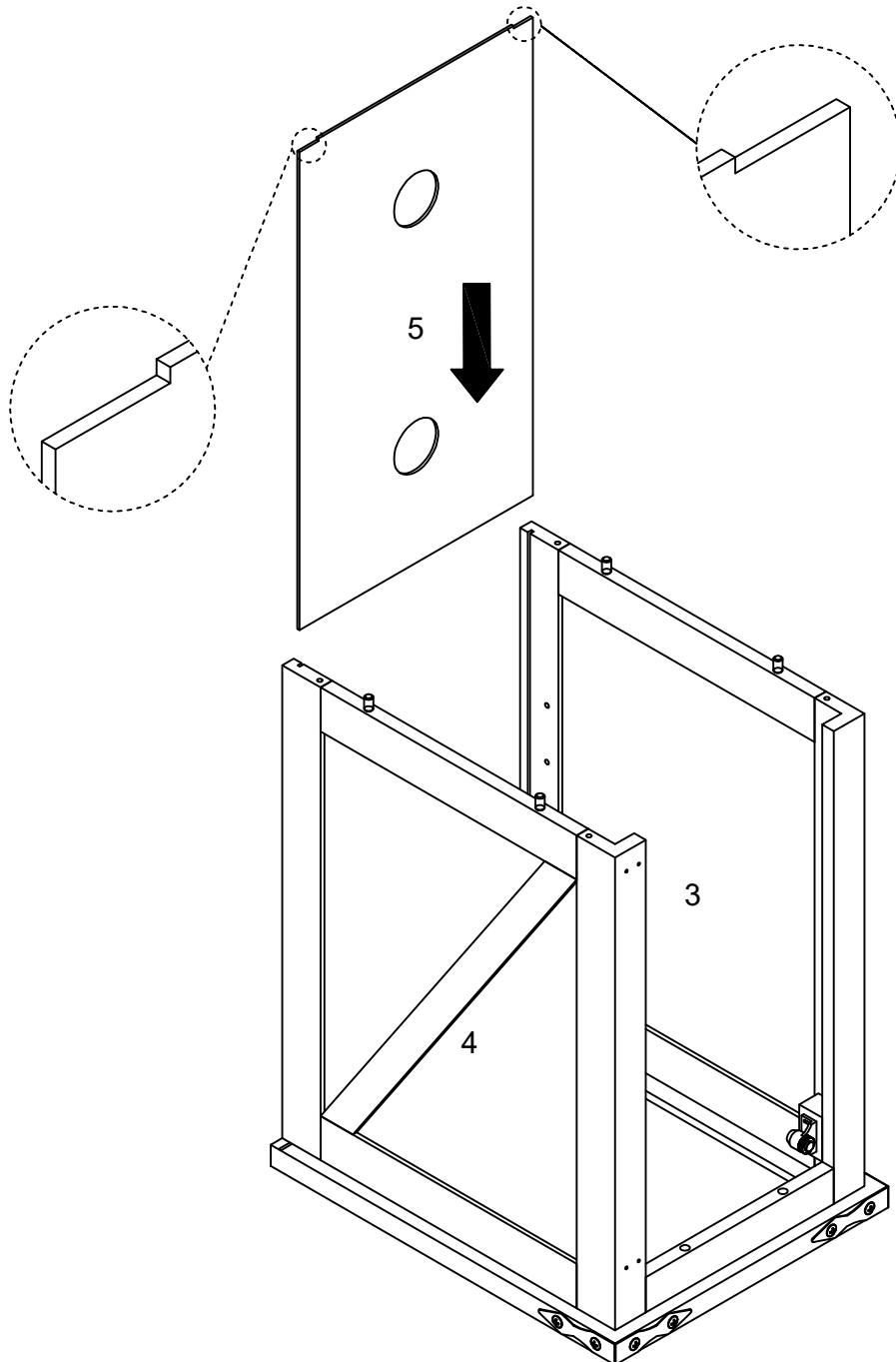
C

X4

Step 7

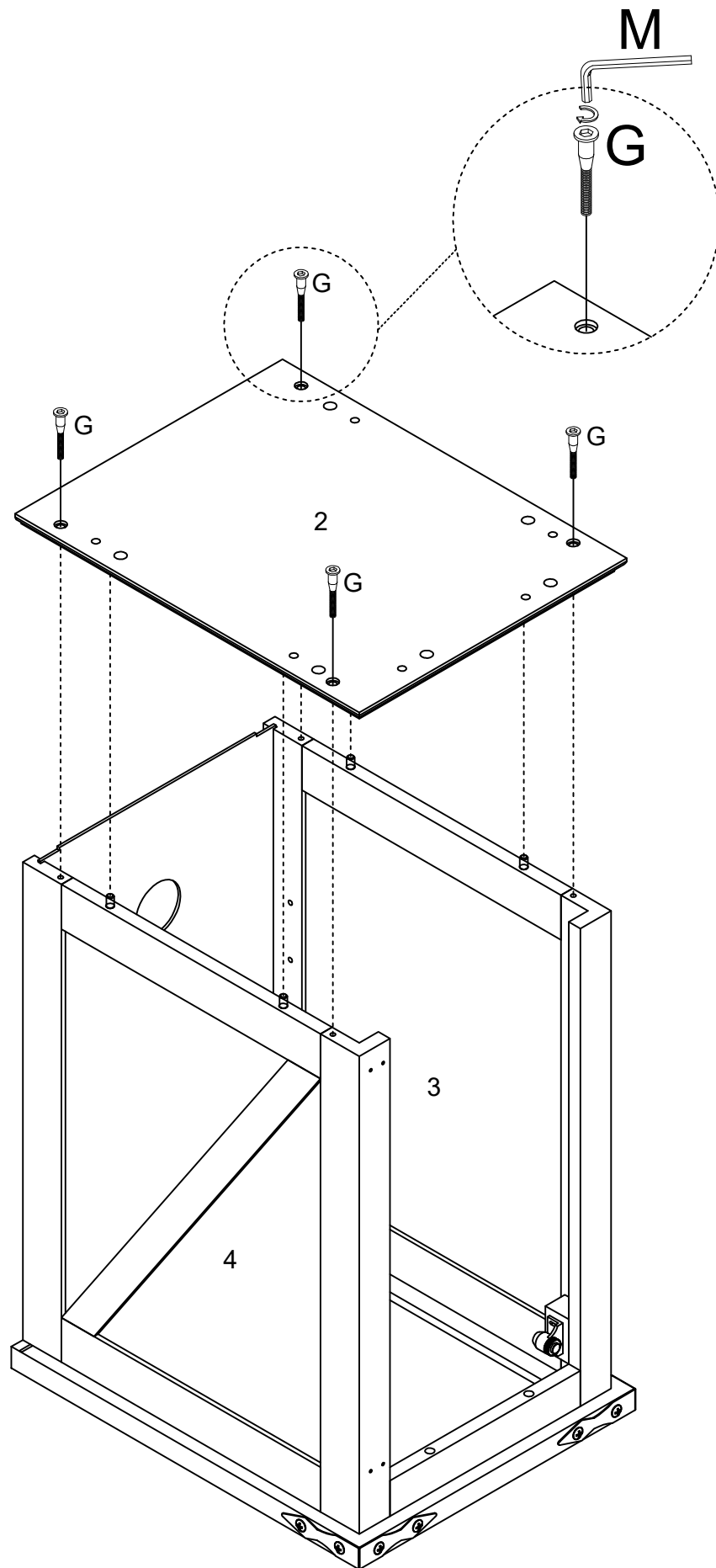



U

X2

Step 8

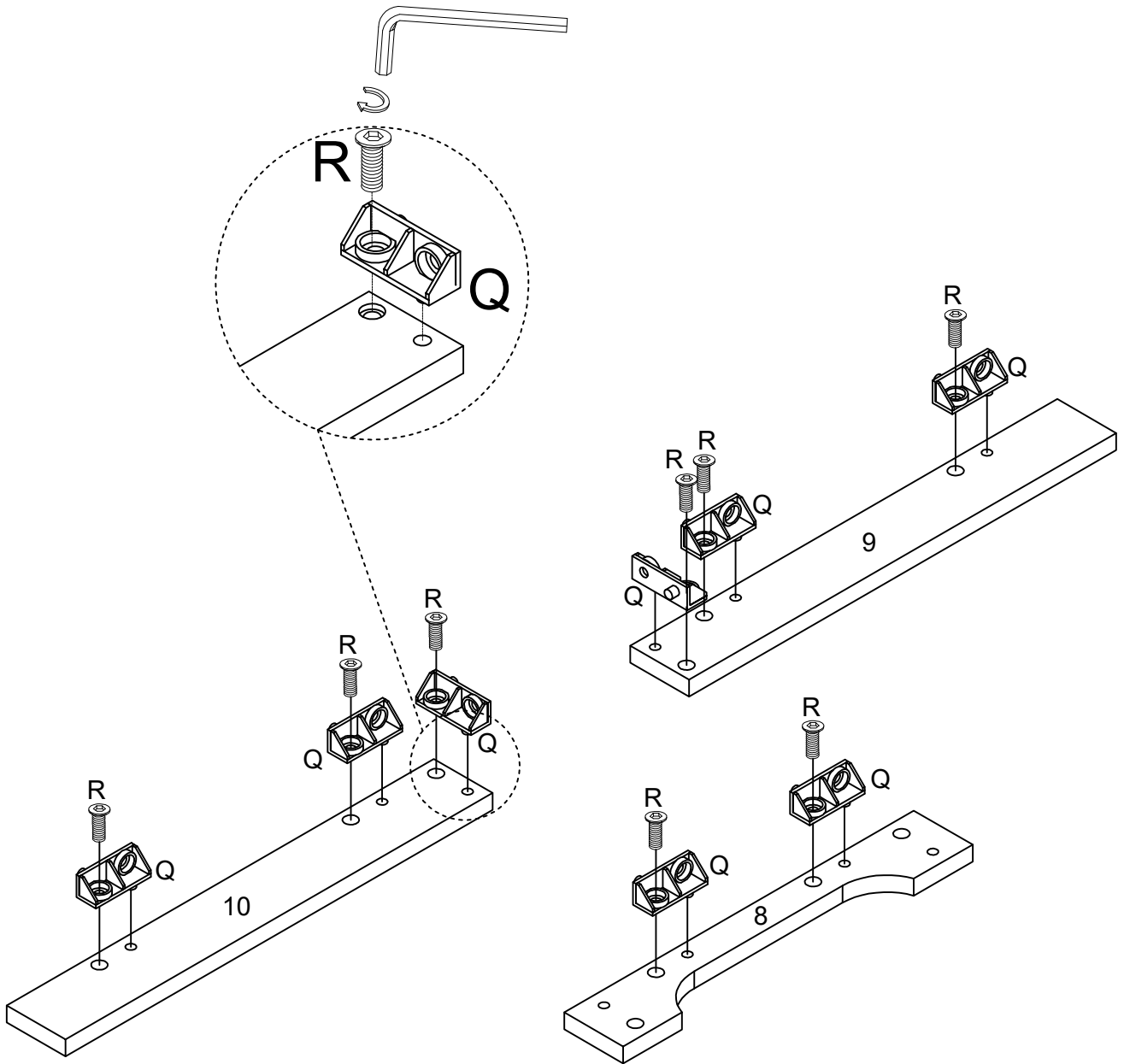




Step 9



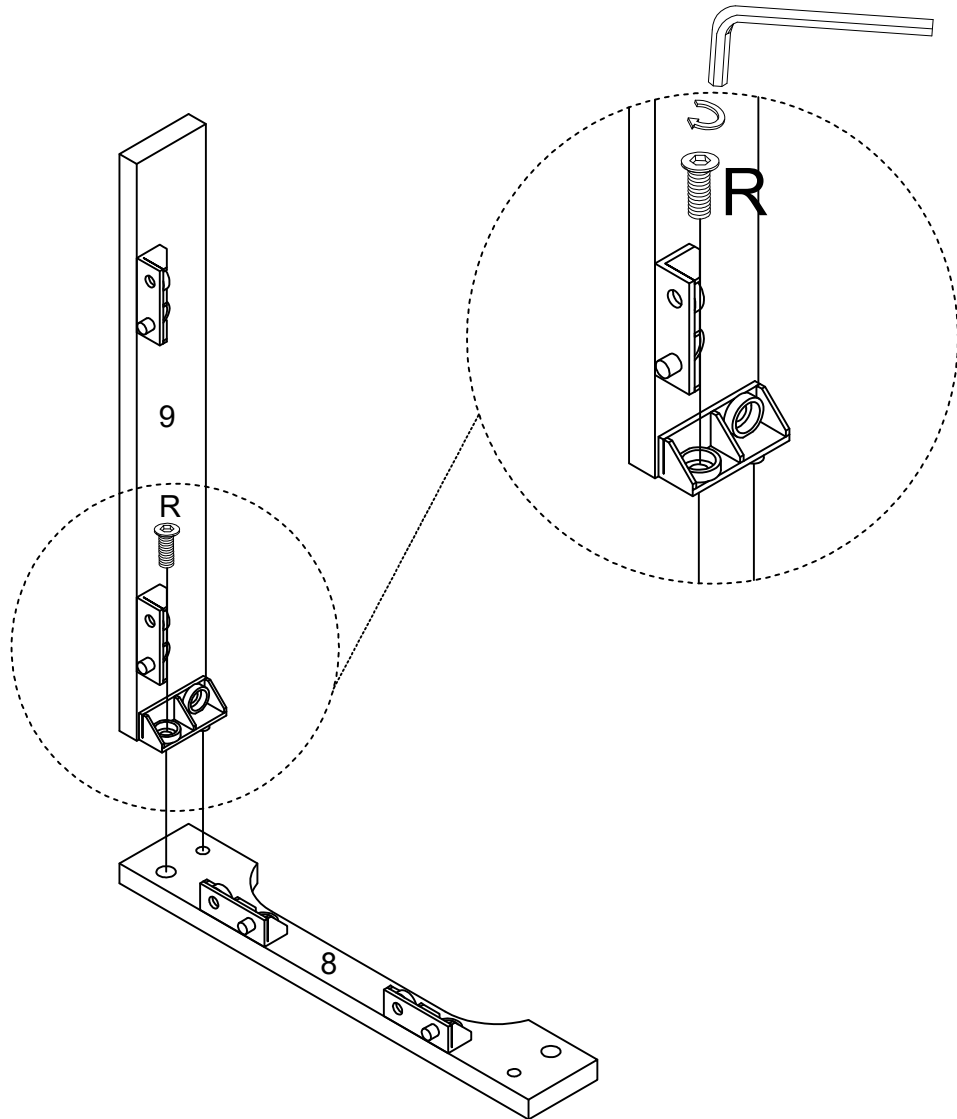
G

X4


Step 10



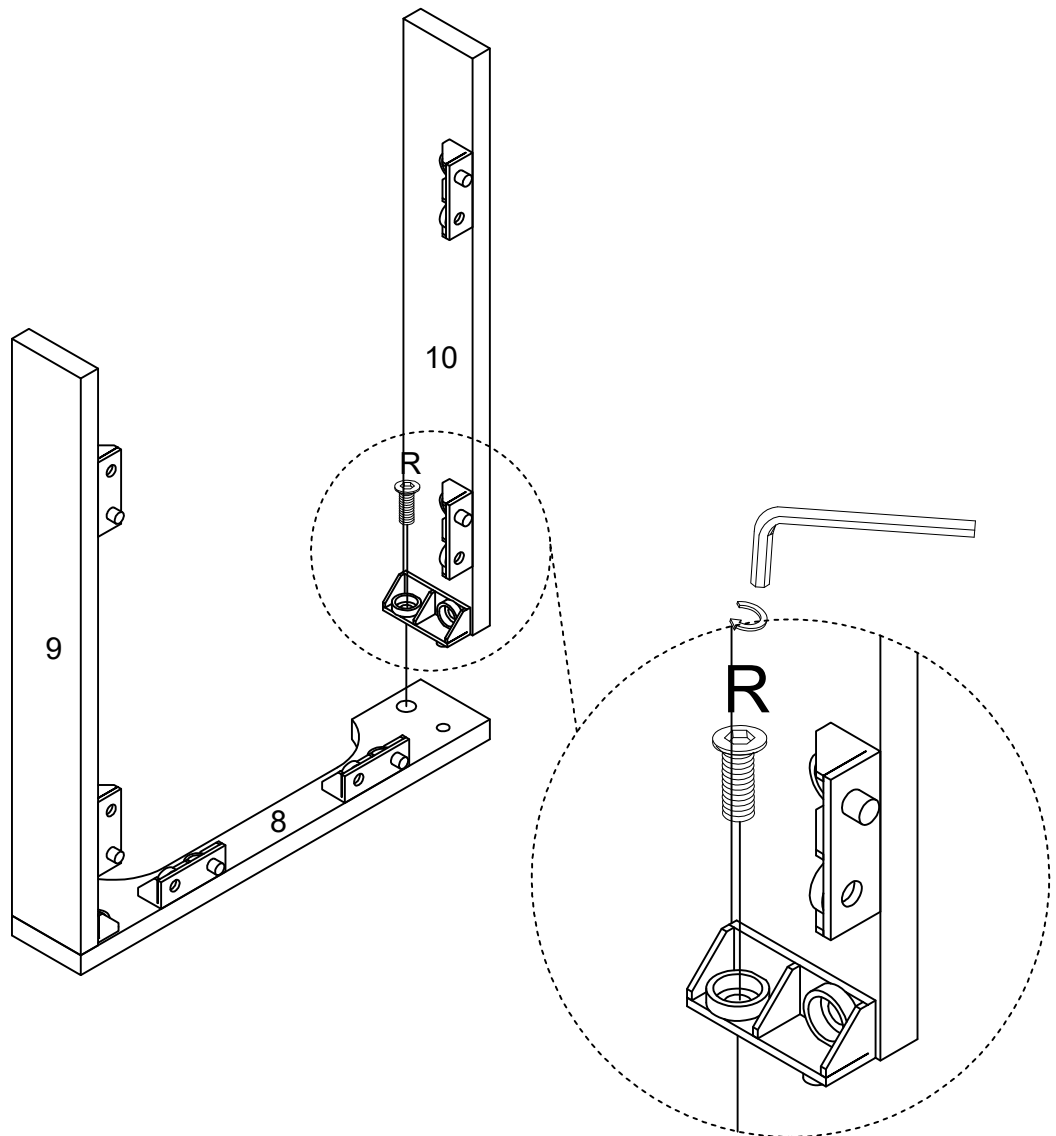
Q	R
	
X8	X8


Step 11



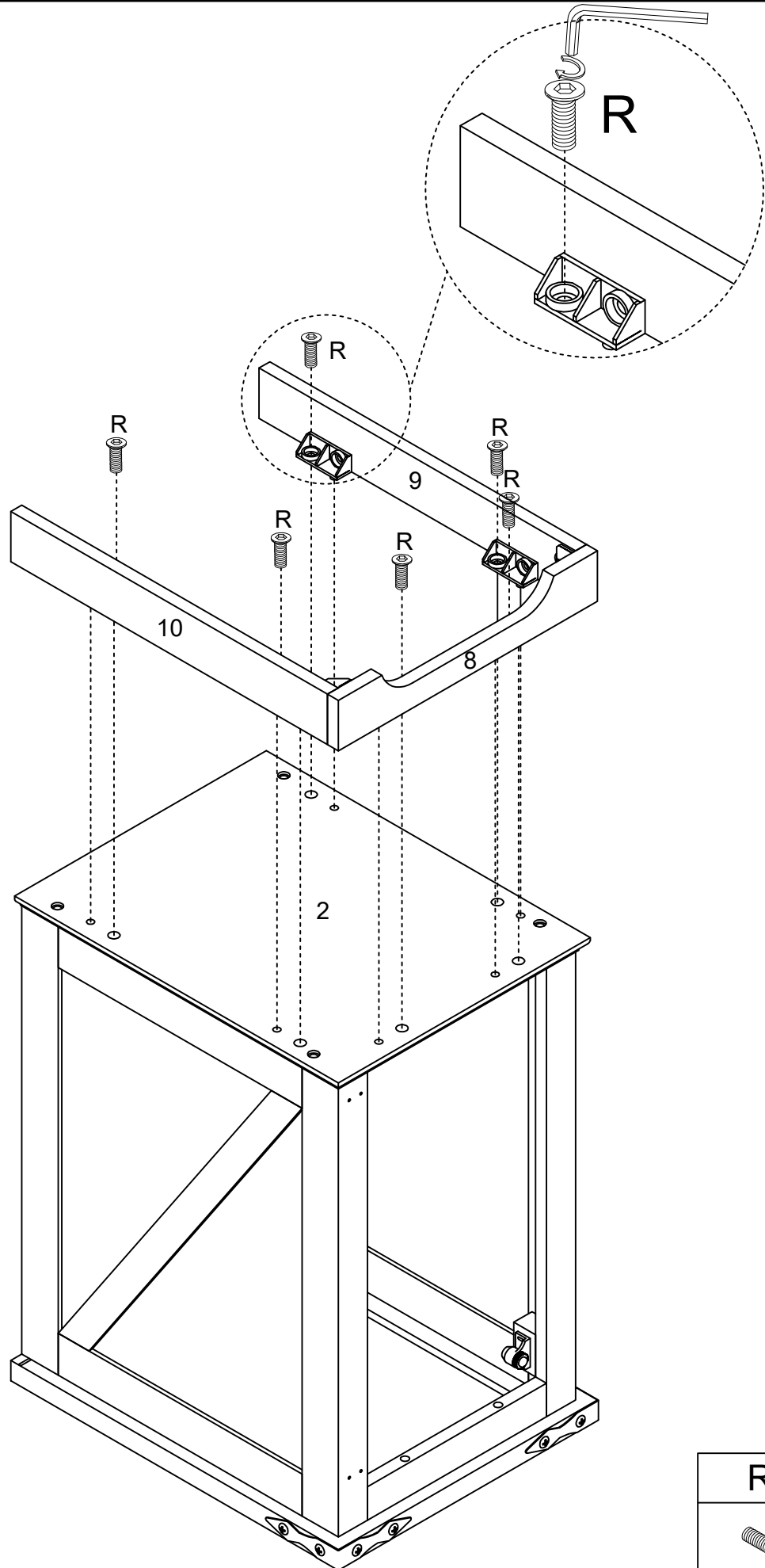
R

X1


Step 12



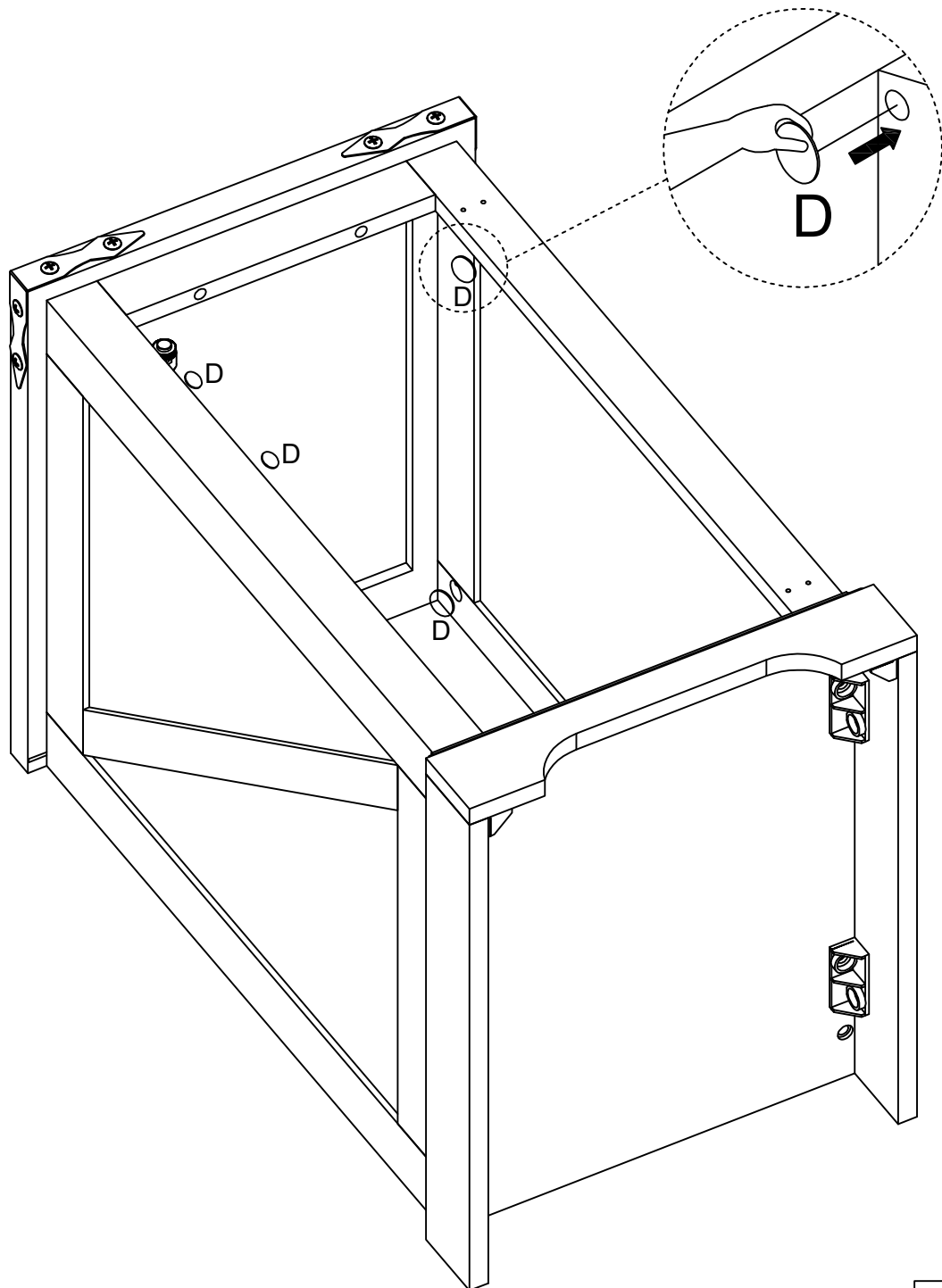
R

X1

Step 13



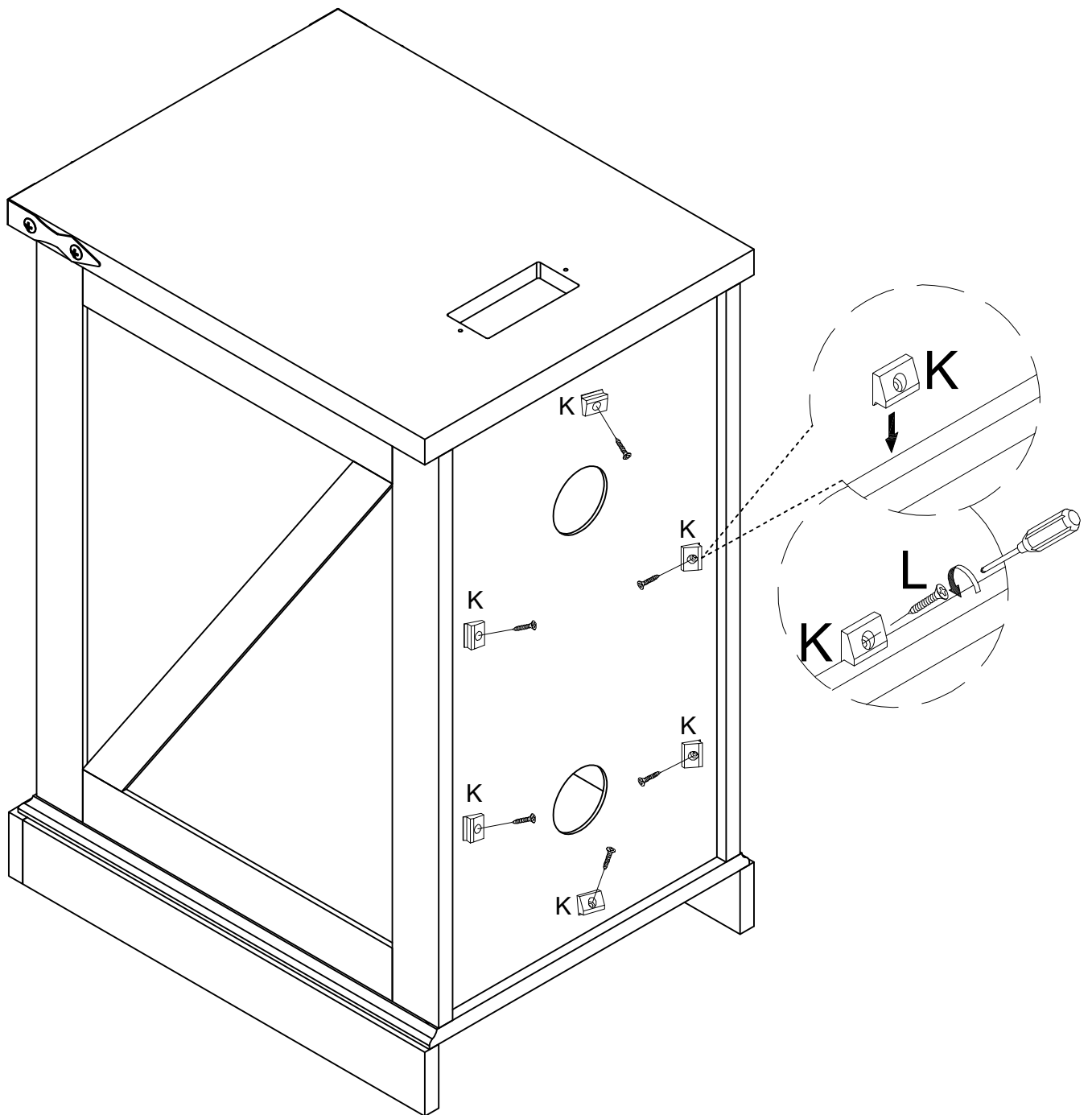
R

X6



Step 14



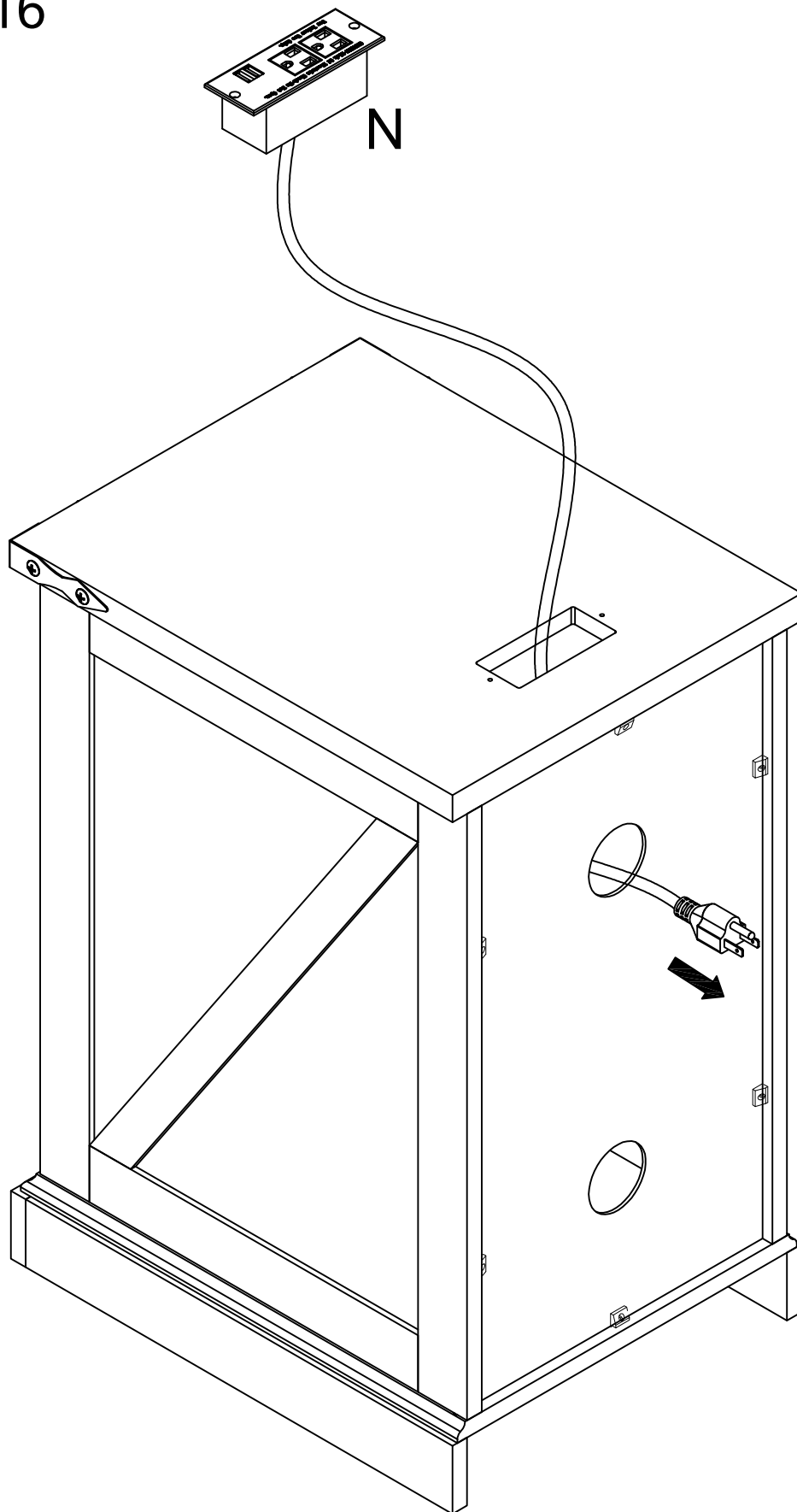
D
O
X6


Step 15



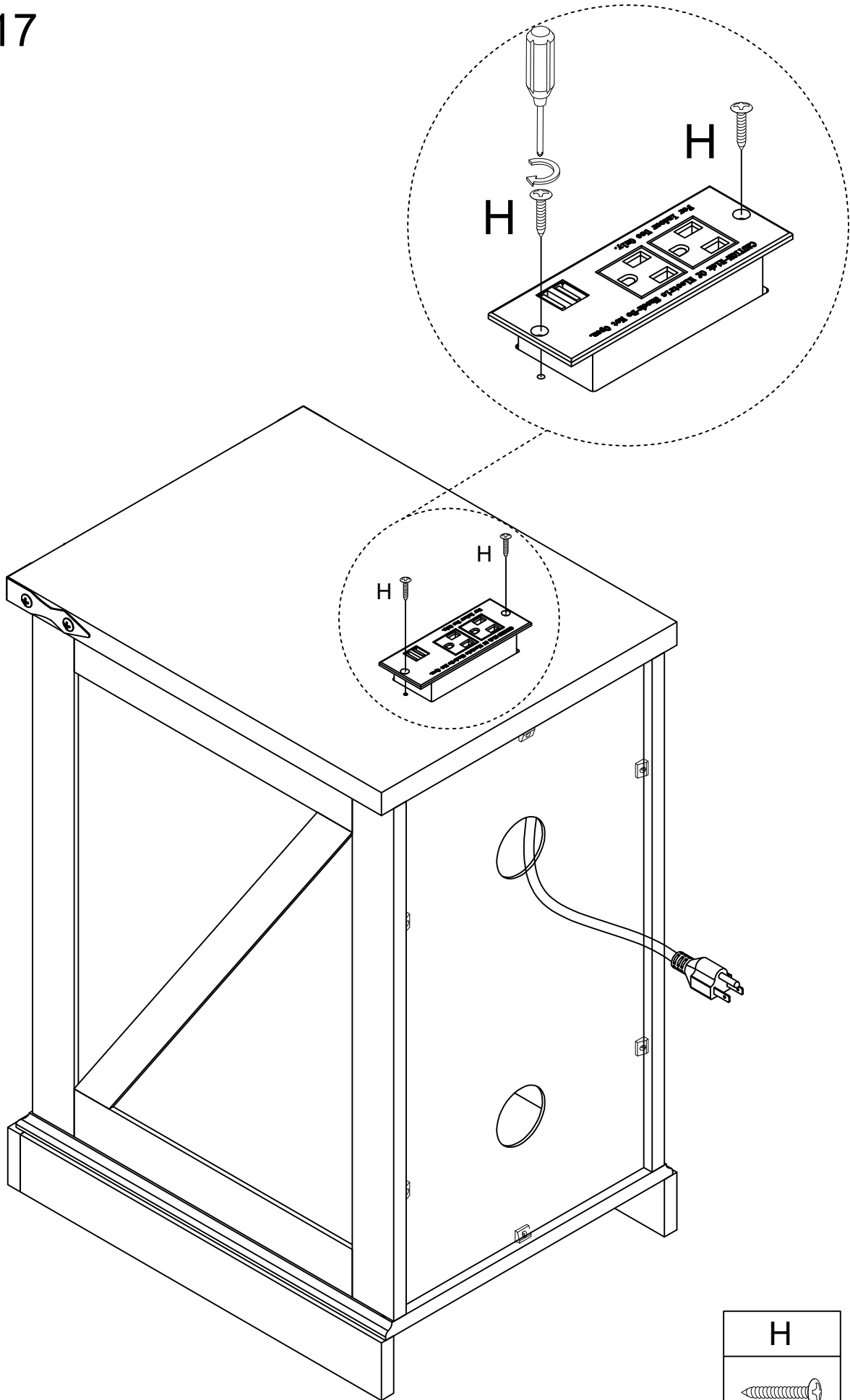
K	L
	
X6	X6


Step 16



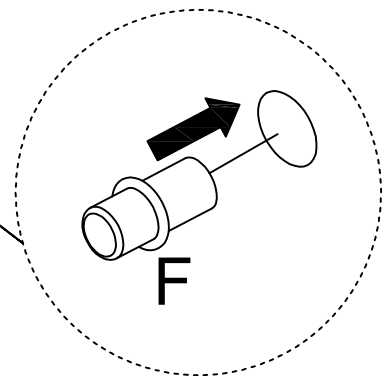
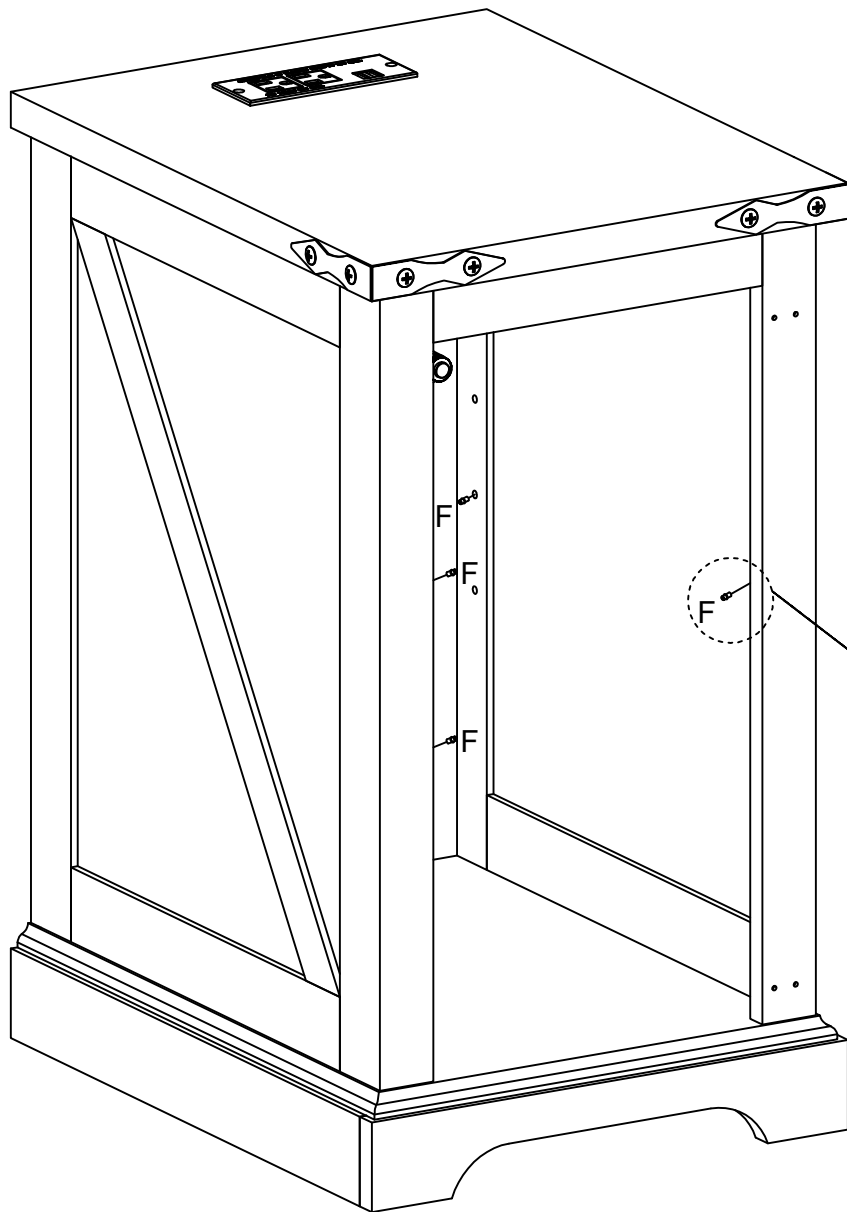
N

X1

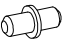
Step 17



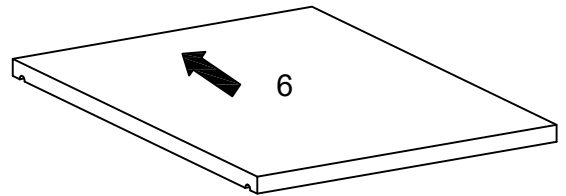
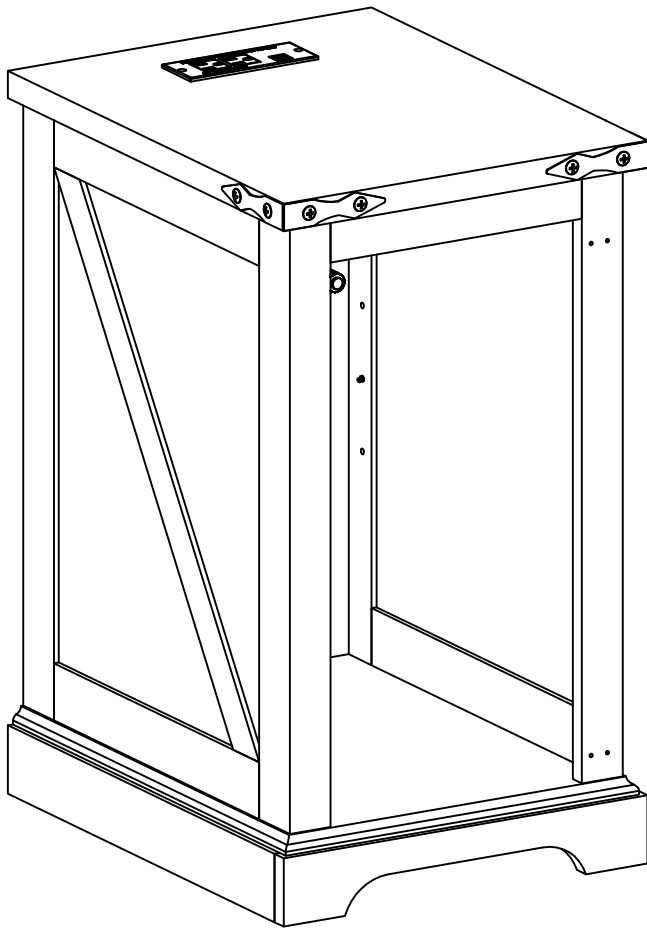
H

X2

Step 18

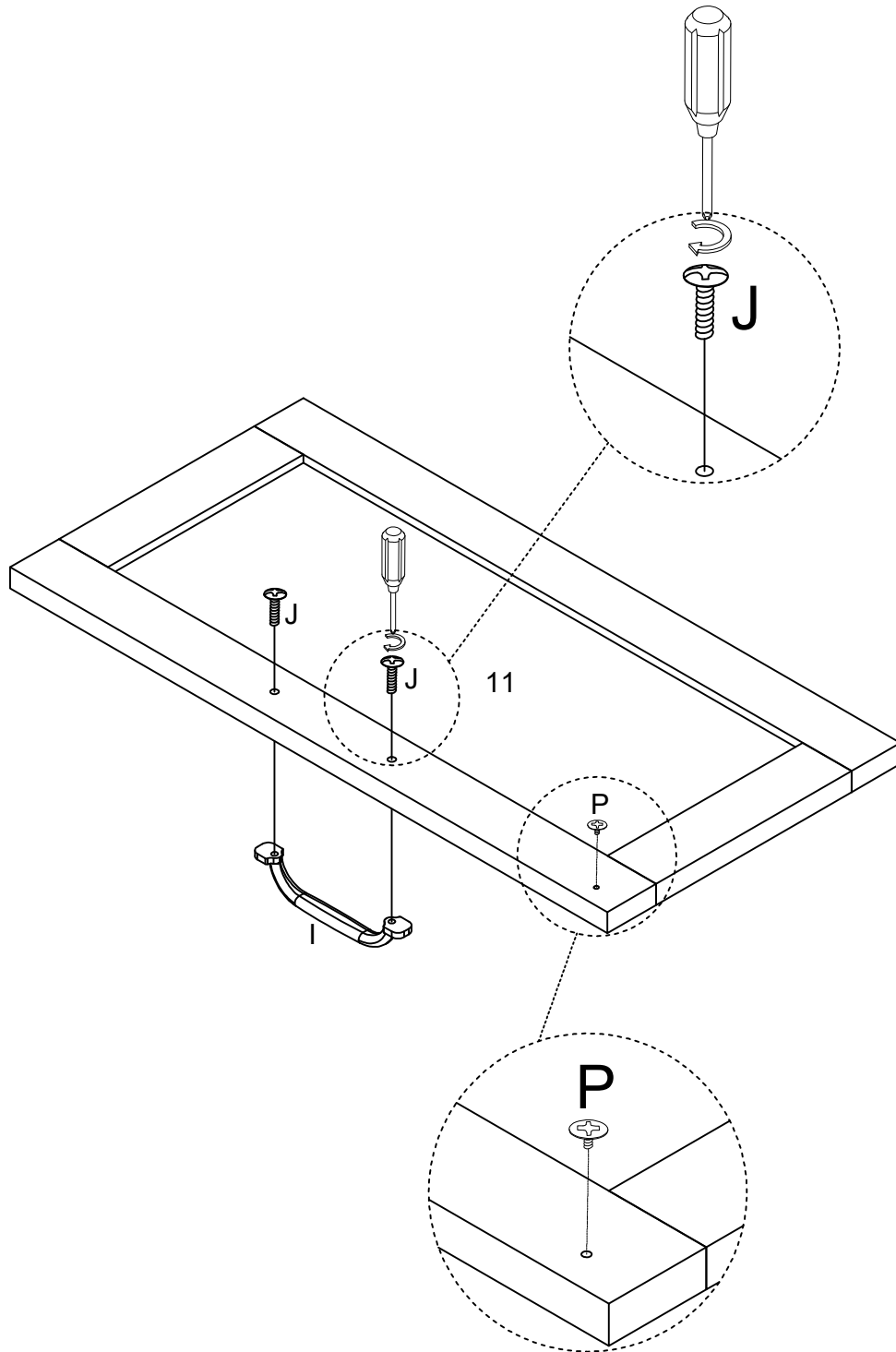





F

X4

Step 19

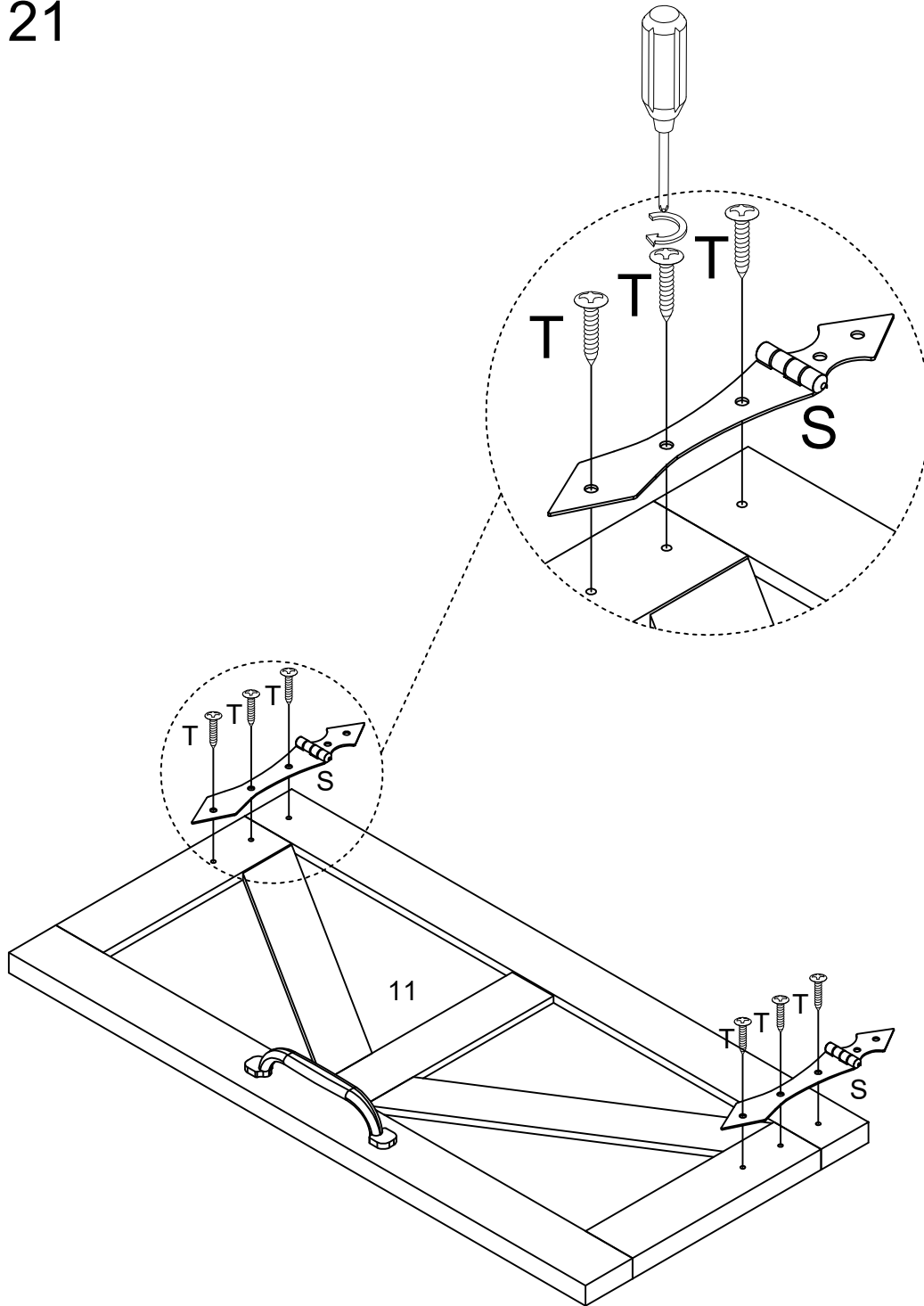




Step 20



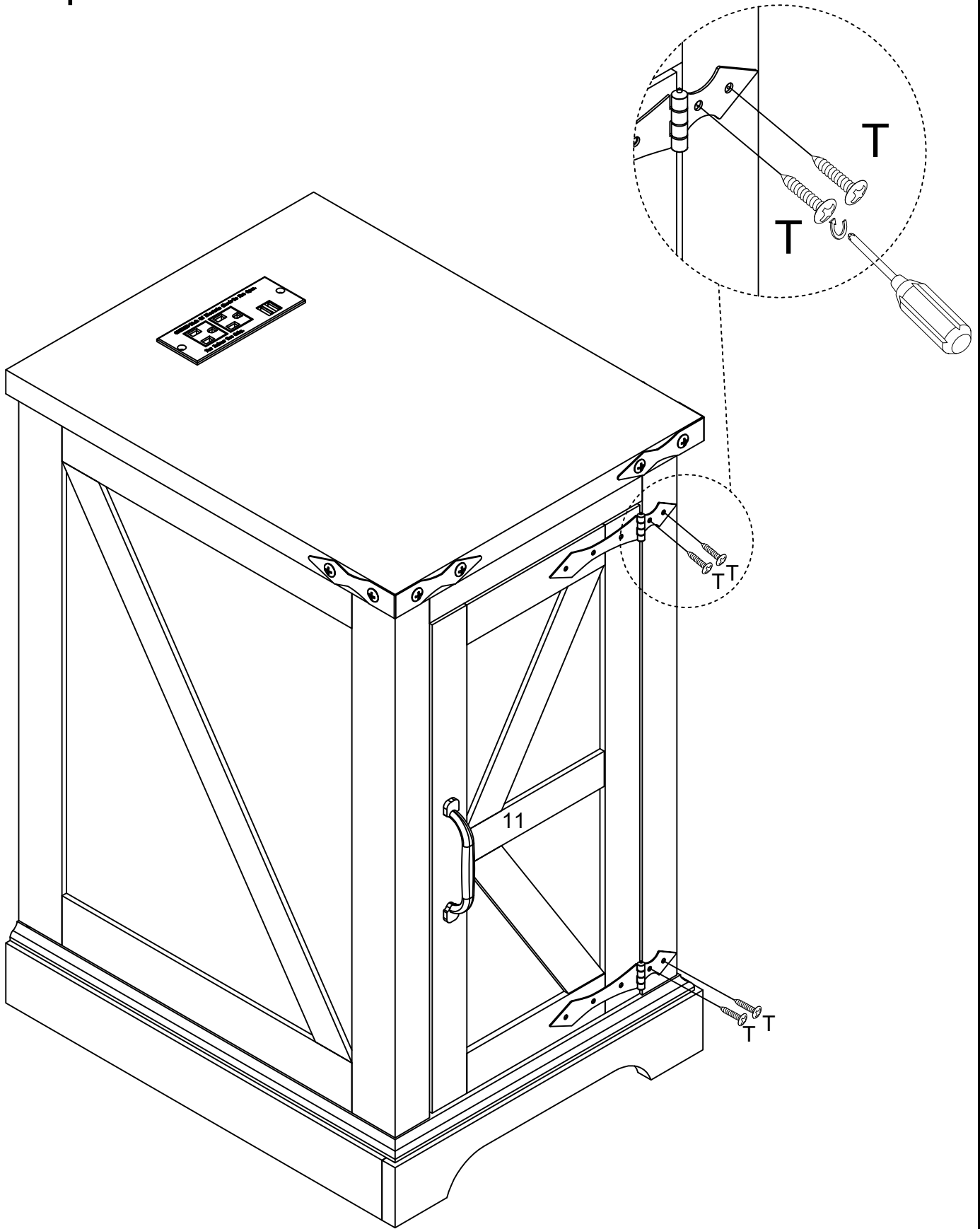
P	I	J
		
X1	X1	X2


Step 21



T	S
	
X6	X2

Step 22



T

X4

Step 23

