

NOTICE

- * Please make sure that you have all parts indicated and they are in good condition before you begin assembly of this item. Refer to part list and hardware list below for guidance.
- * This item should be assembled on a soft surface to prevent scratching the finish during assembly.
- * This item may require periodic tightening.
- * If you are having difficulty, our friendly Customer Care team is always here to help.





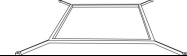




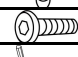


PREPARATION

- * Before beginning assembly of product, make sure all parts are present. Compare parts with part contents list and hardware contents list.
- * If any part is missing or damaged, do not attempt to assemble the product.
- * Estimated Assembly Time: **10 minutes**.
- * Tools Required for Assembly (included): **Allen Key**

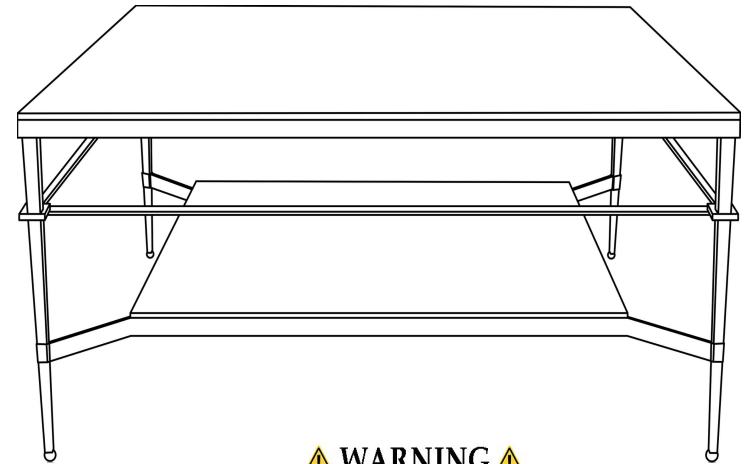
CARE AND MAINTENANCE

Dust with a soft, dry cloth. Do not use abrasive cleaner. To clean glass, spray a small amount of glass cleaner onto a lint-free cloth and wipe glass clean.

Part List and Hardware List

Piece	Description	Picture	Quantity
A	Top Frame		1 X
B	Connection leg		4 X
C	Connection frame		1 X
D	Leg		4 X
E	Shelf		1 X
F	Feet		4 X
G	Top Glass		1 X
H	Shelf Glass		1 X
HW1	Feet Cap		4 X
HW2	Glass Mat		8 X
HW3	Allen Bolt(M6x1x10MM)		8 X
HW4	Allen Key		1 X
HW5	Glass Mat		4 X

Product Dimensions: 43"W X 43"D X 19.75"H



⚠ WARNING ⚠

Weight Capacity-80LBS
Warning:Do not stand on Table
Warning:Do not over torque bolts.

Preparation

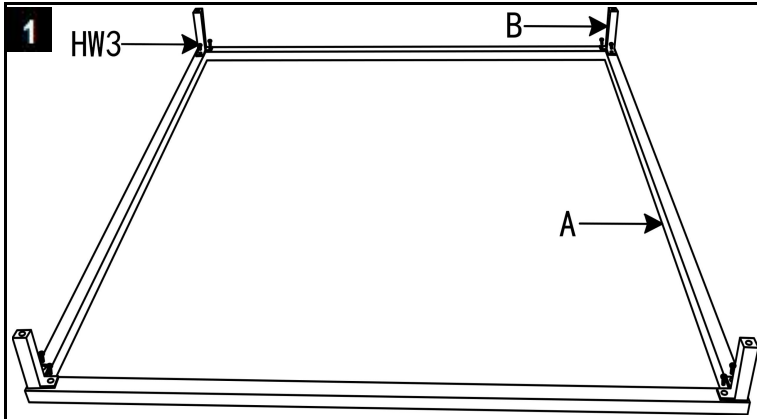
*Before beginning assembly of product, make sure all parts are present. Compare parts with part contents list and hardware contents list.

*If any part is missing or damaged, do not attempt to assemble the product.

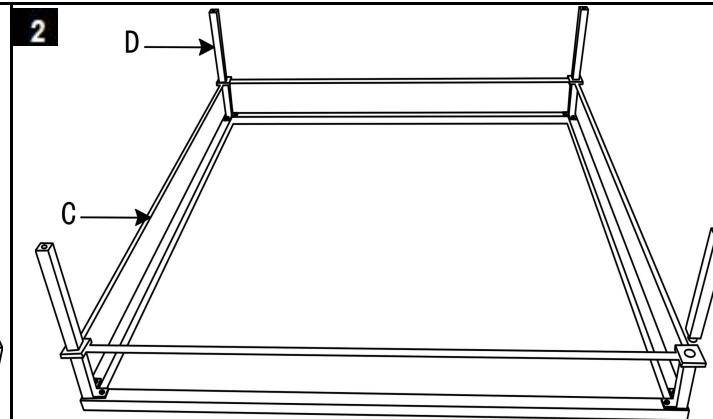
*Estimated Assembly Time: 10 minutes.

*Tools Required for Assembly (included):Allen Key

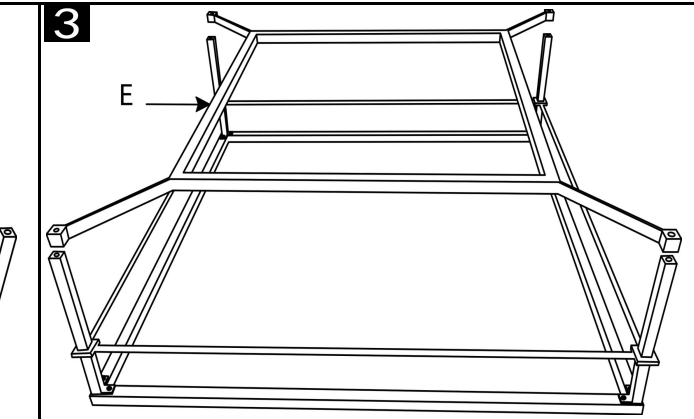
*If you are having difficulty, our friendly Customer Care team is always here to help.



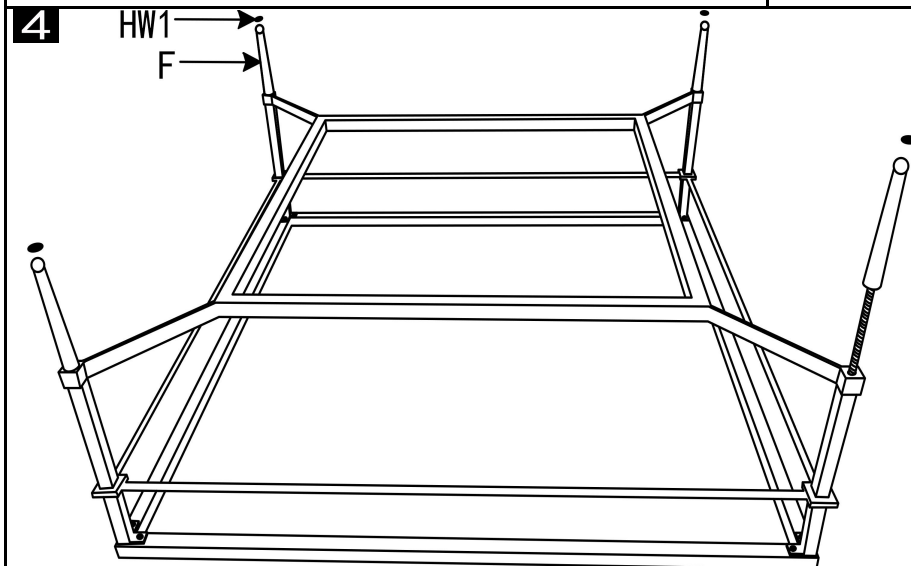
Upside down the top on ground, fix the part B on A



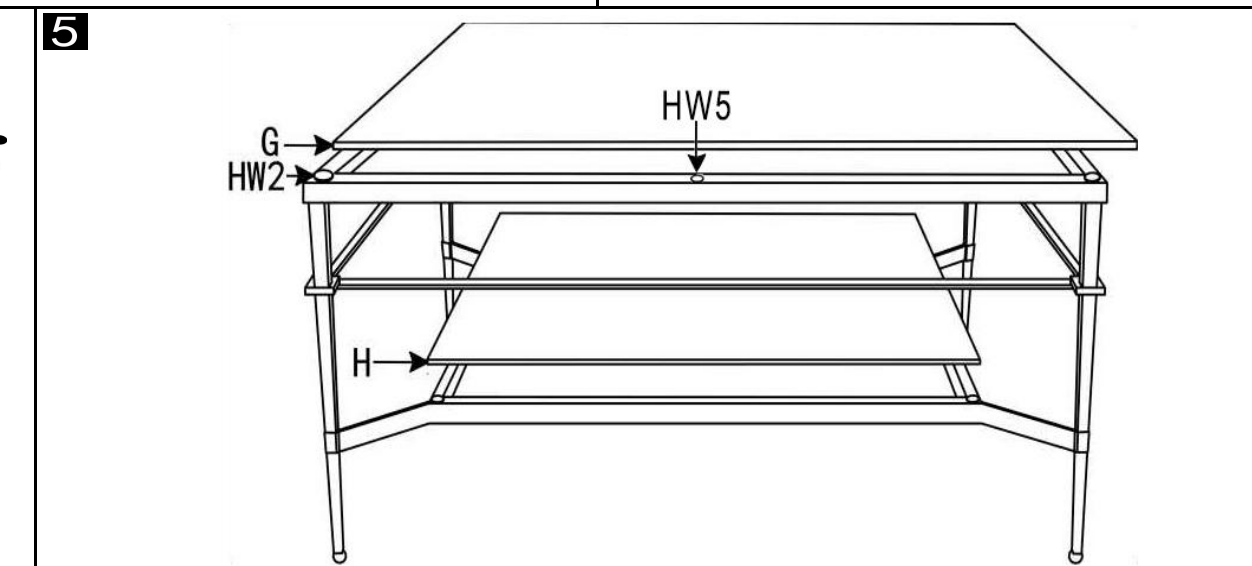
Put C on B, and insert the D into C



Put the shelf on to the part D



Insert the feet into the Part D, and make it tight



Put the glass on to the top frame