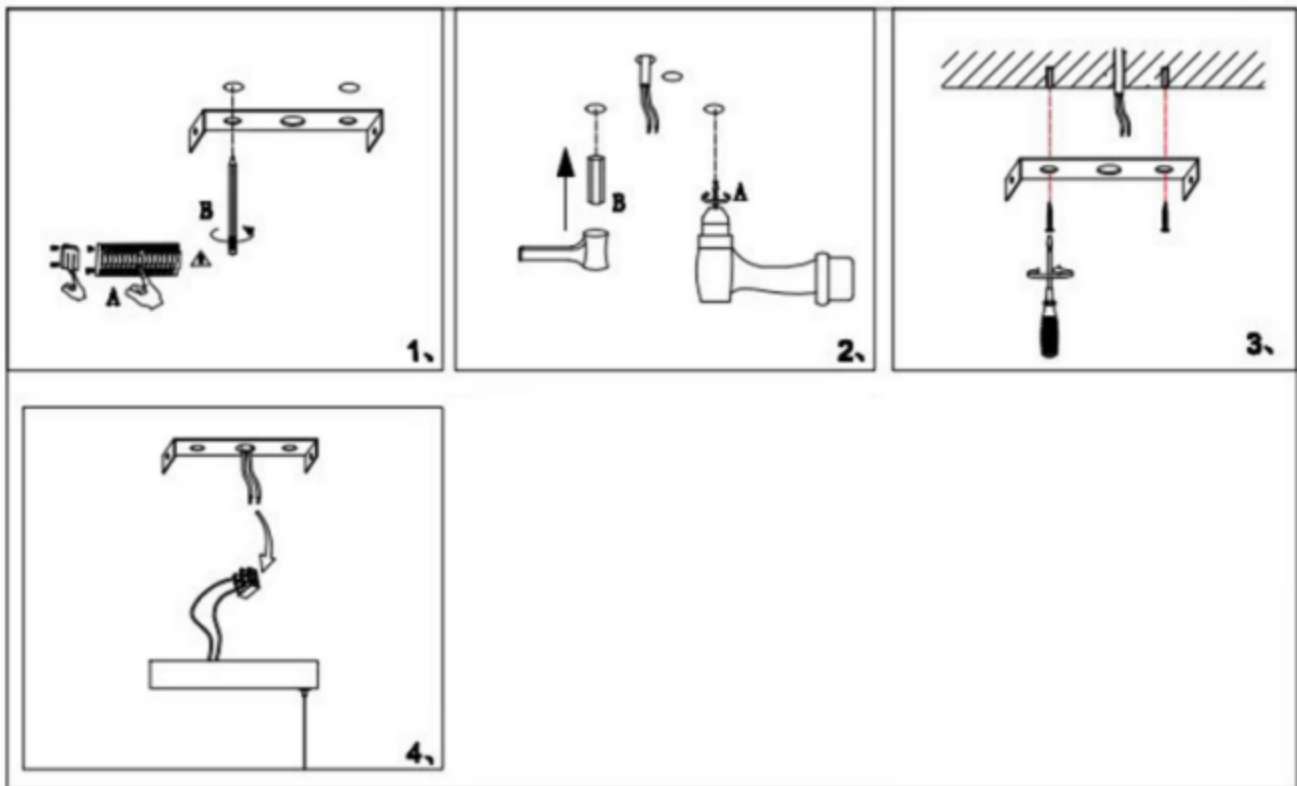


Assembly Instructions for **Model 229339062**



Installation method



STEP 1

Remove the mounting bracket and mark its position on the ceiling.

STEP 2

Install the expansion tube at the marking on the hanging plate

STEP 3

Install the ceiling canopy and fix it to the expansion tube with expansion screws

STEP 4

Connect the lamp wires to the ceiling wires. (No need to distinguish between the neutral wire and the live wire)

STEP 5

Fix the ceiling canopy to the mounting bracket.

Your fixture is now assembled and ready to use.