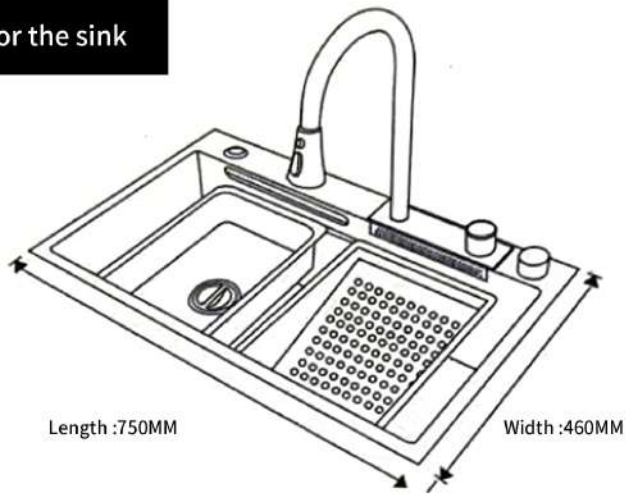


## Installation instructions for the sink

The size of the sink is:

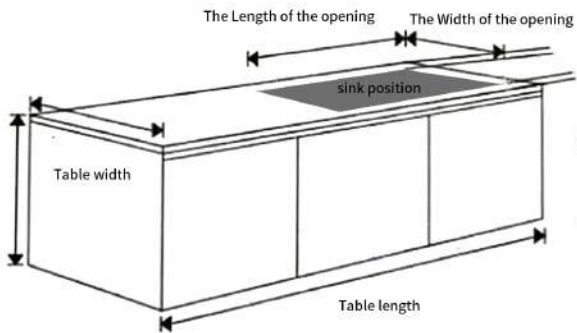
Sink: 750MM\*460MM



Length :750MM

Width :460MM

### Size of openin for sink



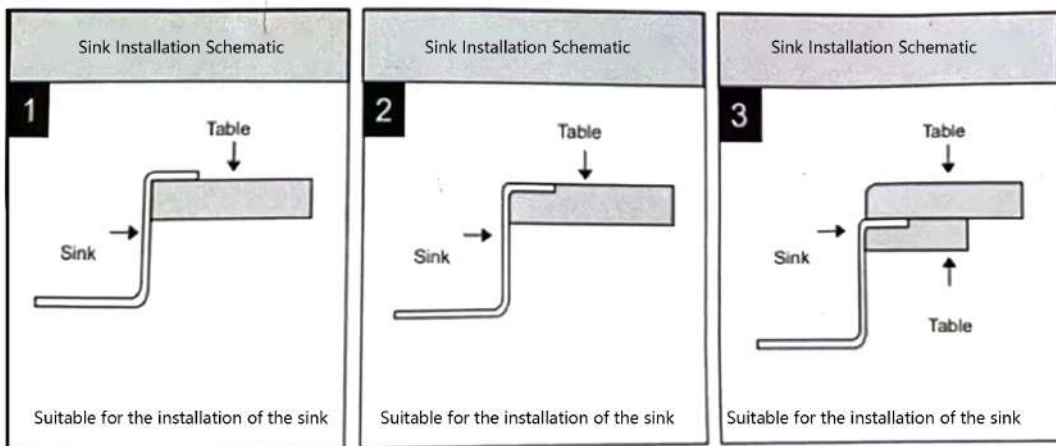
Sink Hoe suggested that the sink to the site to re-open holes

Sink: 750MM\*460MM

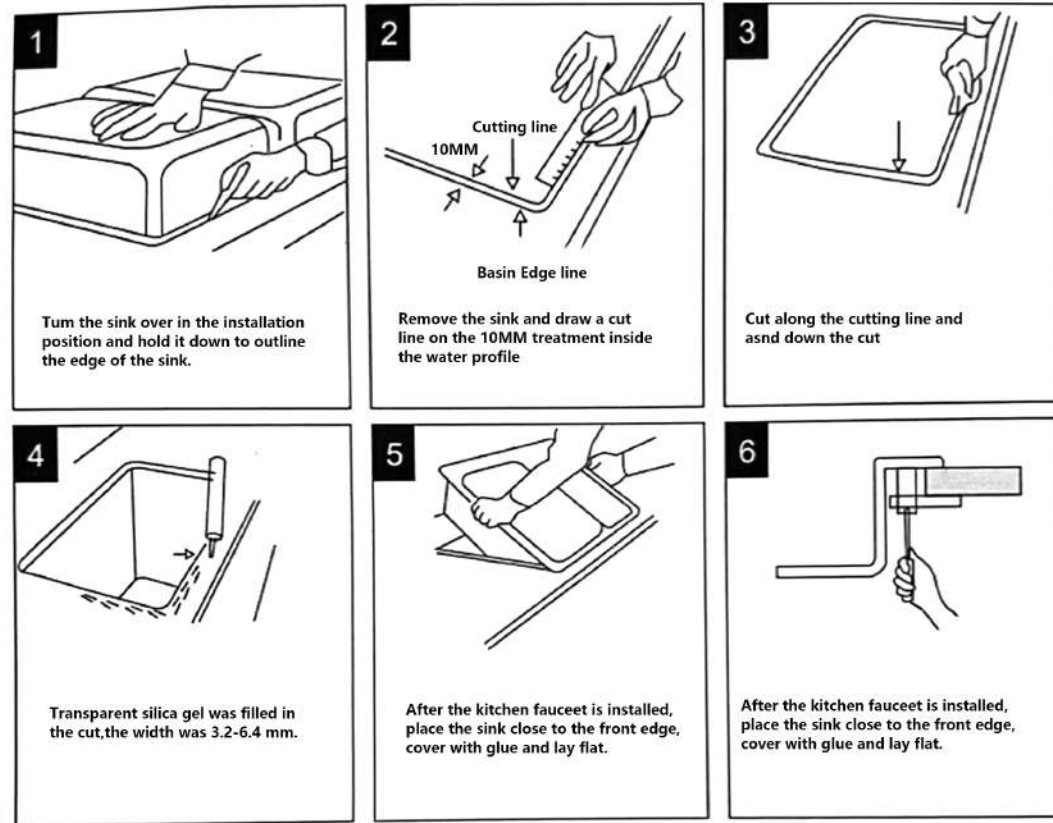
Opening hole: 720MM\*430MM

### The installation of the sink

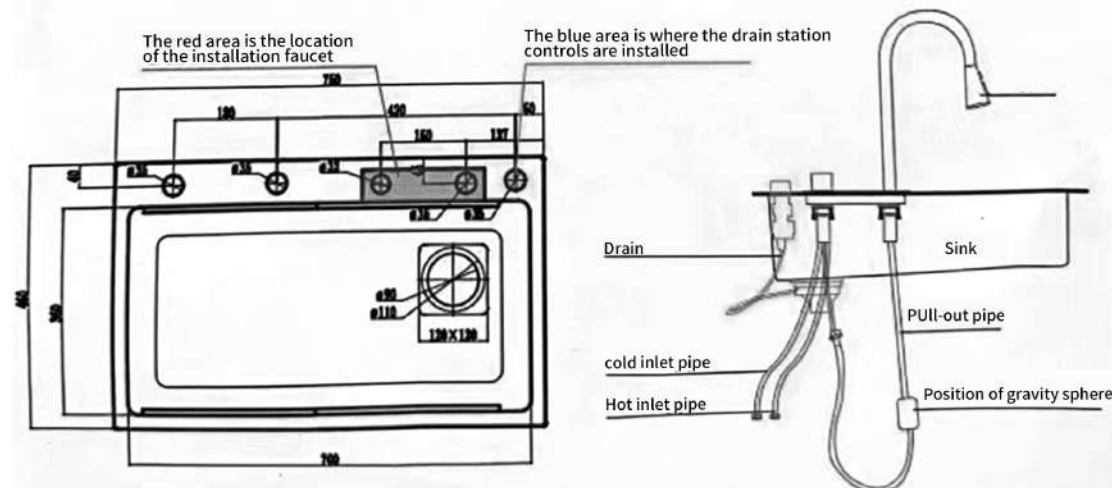
Npte: Figs.1and 2 fit the installation scheme of the flying rain futter ligs.3 do not recommend the installation of the platform basin



### The sink installation schematic diagram



### The faucet installation schematic diagram



The hot and cold water inlet pipe shoule be installed stagger draw-out pipe, otherwise draw-out pipe can not work normally.  
Note: Please aim at the above picture to ensure that the installation is correct