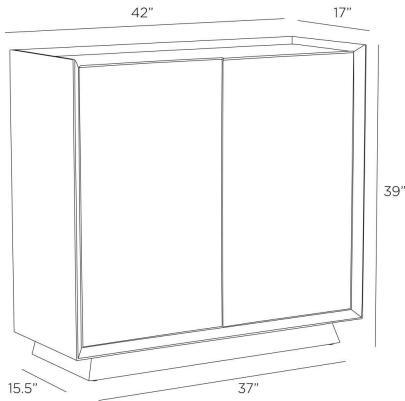


# ARTERIOS

## HUDSON CABINET



FNS16  
H: 39 IN, W: 42 IN, D: 17 IN,  
Sable

Utilizing a technique that dates to 17th-century Europe, the Hudson is finished with carefully applied sable oak veneer using the oystering parquetry technique across the front of a matching sable oak veneer frame. Chamfered at the top frame and finger pulls, it is finished with a recessed top and angular plinth antique brass base. The single adjustable shelf makes it a versatile cabinet for any home. Oyster will vary.

### APPEARANCE

Material	Oyster Veneer, Oak Veneer, Brass
Finish	Natural Oyster, Sable, Antique Brass
Finish Will Vary	Yes
Top Coat/Sealant	Yes
Total Shelf Count	1

### DIMENSIONS

Door	H: 1 IN, W: 33.5 IN, D: 19.5 IN
Foot Print	W: 37 IN, D: 15.5 IN
Shelf	H: 1.5 IN, W: 39 IN, D: 13.5 IN
Diagonal Dimension	43 IN
Clearance	3.5 IN

### SHIPPING

Shipping Requirements	TruckShip
Product Weight	199.7 lbs
Gross Weight 1	242.5 lbs
Shipping Box 1	H: 45 IN, L: 45 IN, W: 20.1 IN

### ADDITIONAL INFO

Features	Anti-Tip Kit Included
Swatch Number	SOOSW, SB2X2
Leg Or Foot Application	Adjustable Levelers

### CONTRACT

Contract Suitable	Yes
-------------------	-----