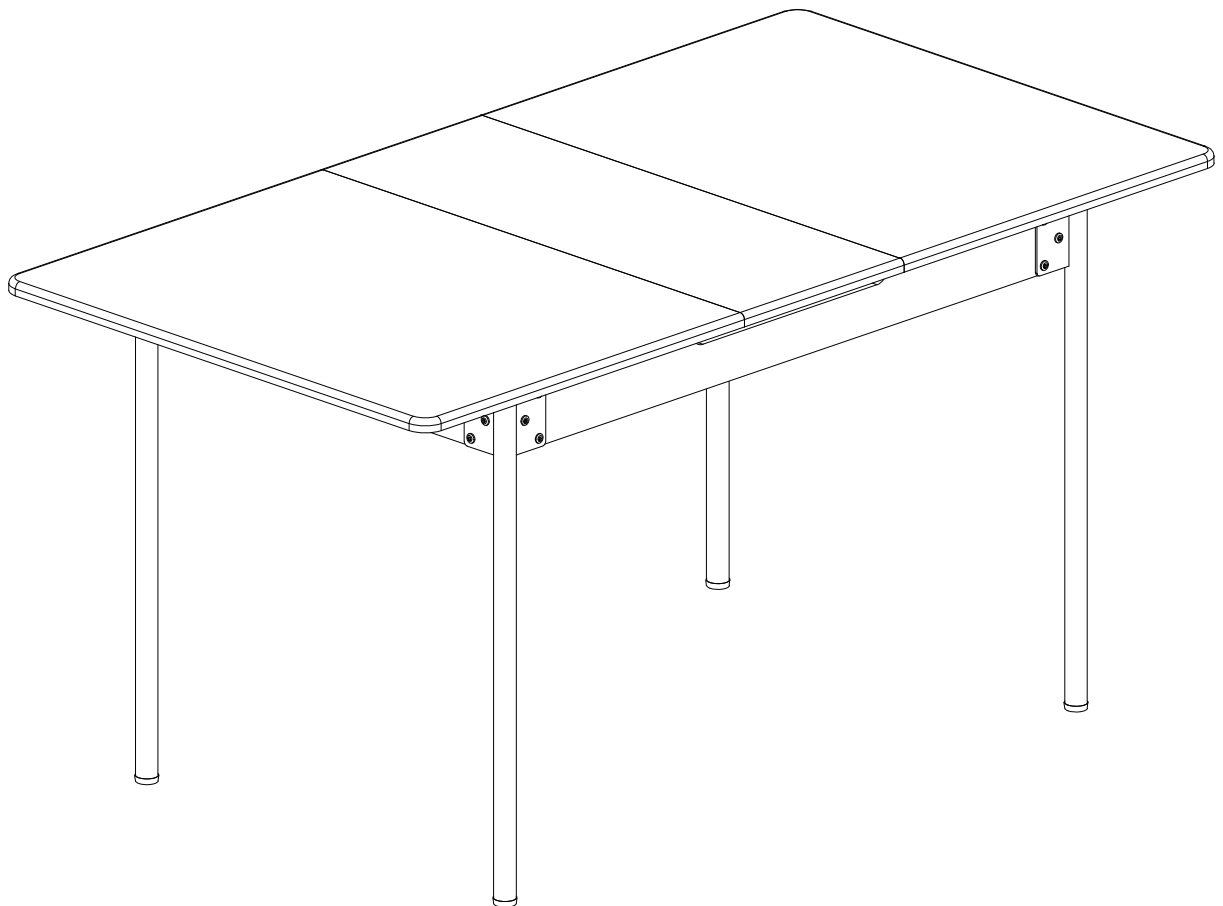
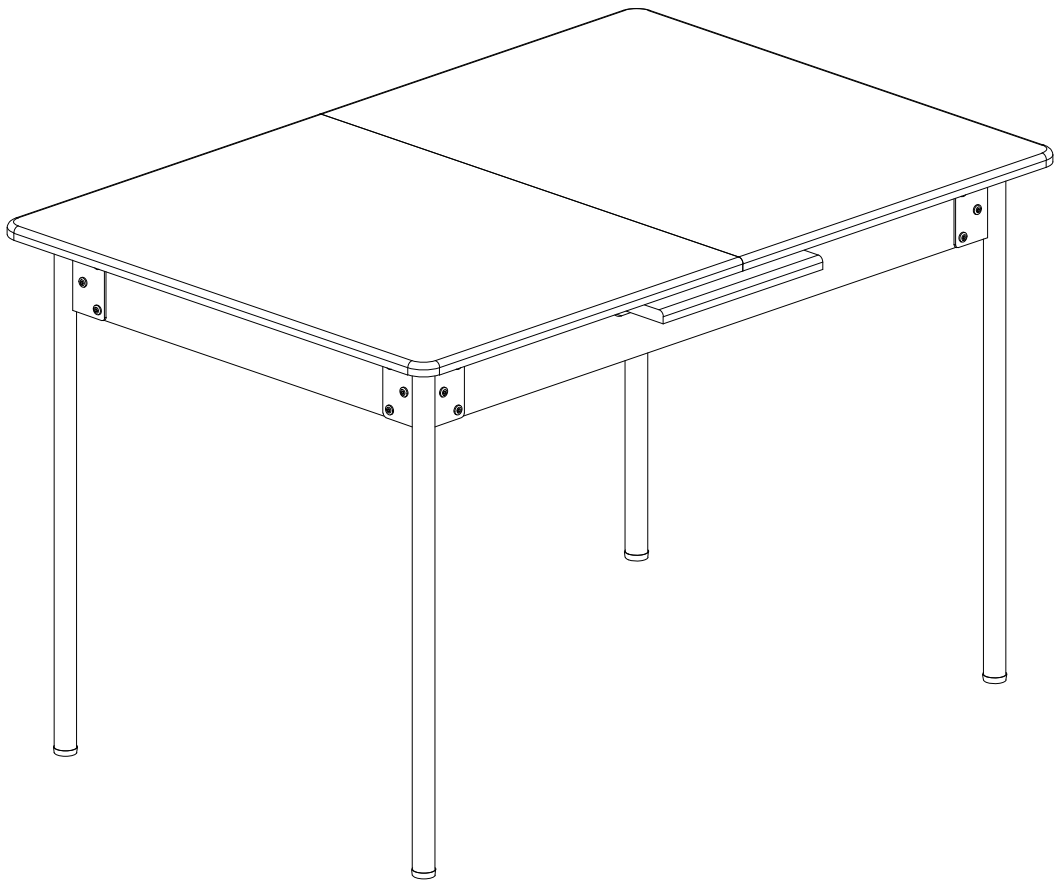


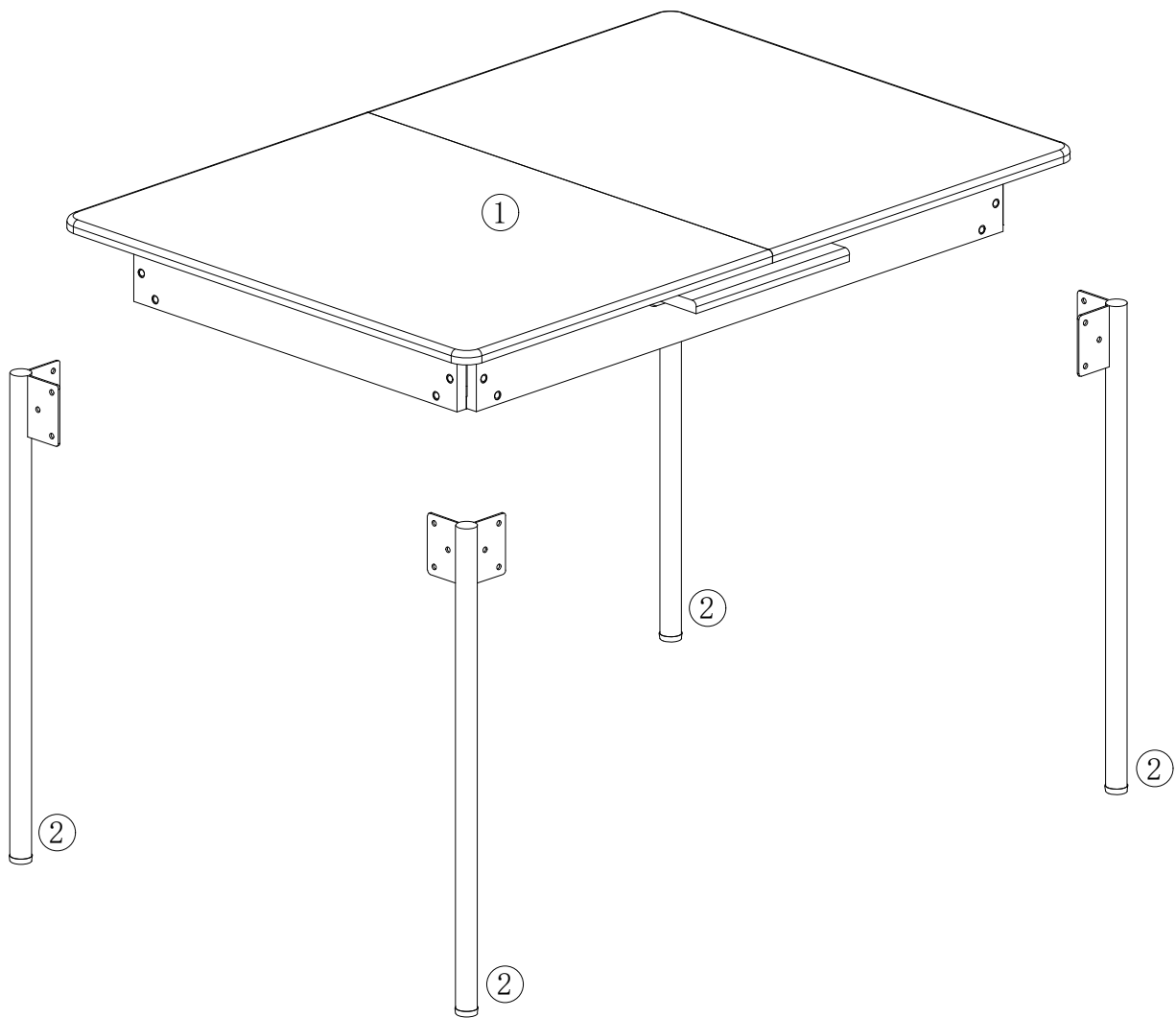
# Installation & Assembly



# Installation Diagram

Name

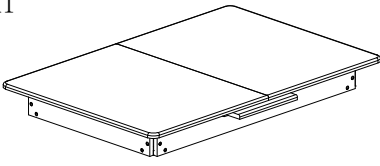
Dining table



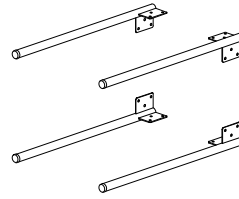
**Caution:** After unpacking, check the correct number of accessories against the instructions.

# Part List

① X1

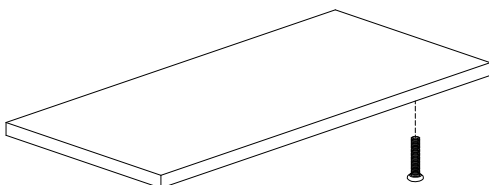


② X4

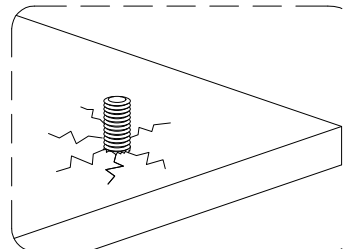


## NOTE

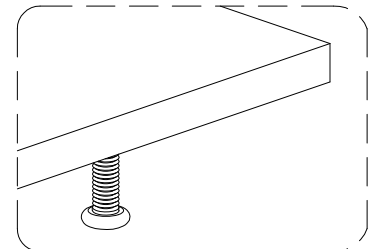
Using the right screws can prevent damage to these components



Example



Mistake: Screws can cause boards to split



Correct: screws are the correct size

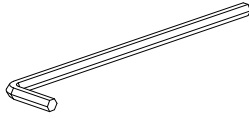
## Hardware Table

A X24



M6\*12MM

B X1



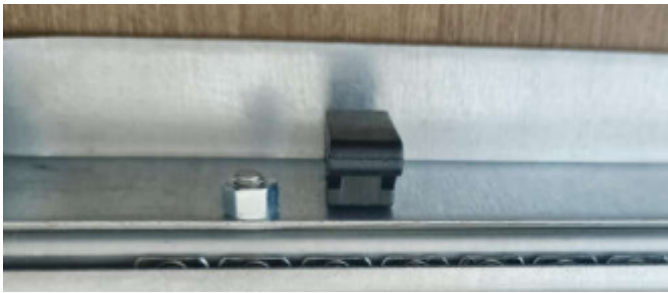
M4\*100MM

**Note :** After opening the package, the switch wrench you receive is open, and you can directly extend or retract the panel as needed. retract the panel as needed.

1. When you need to operate the telescopic function, you need to open the switch wrench on the slider.

2. When you do not need to operate the telescopic function, you can close the switch wrench on the slider.

①



As shown in the picture:  
the switch wrench is in  
the closed state

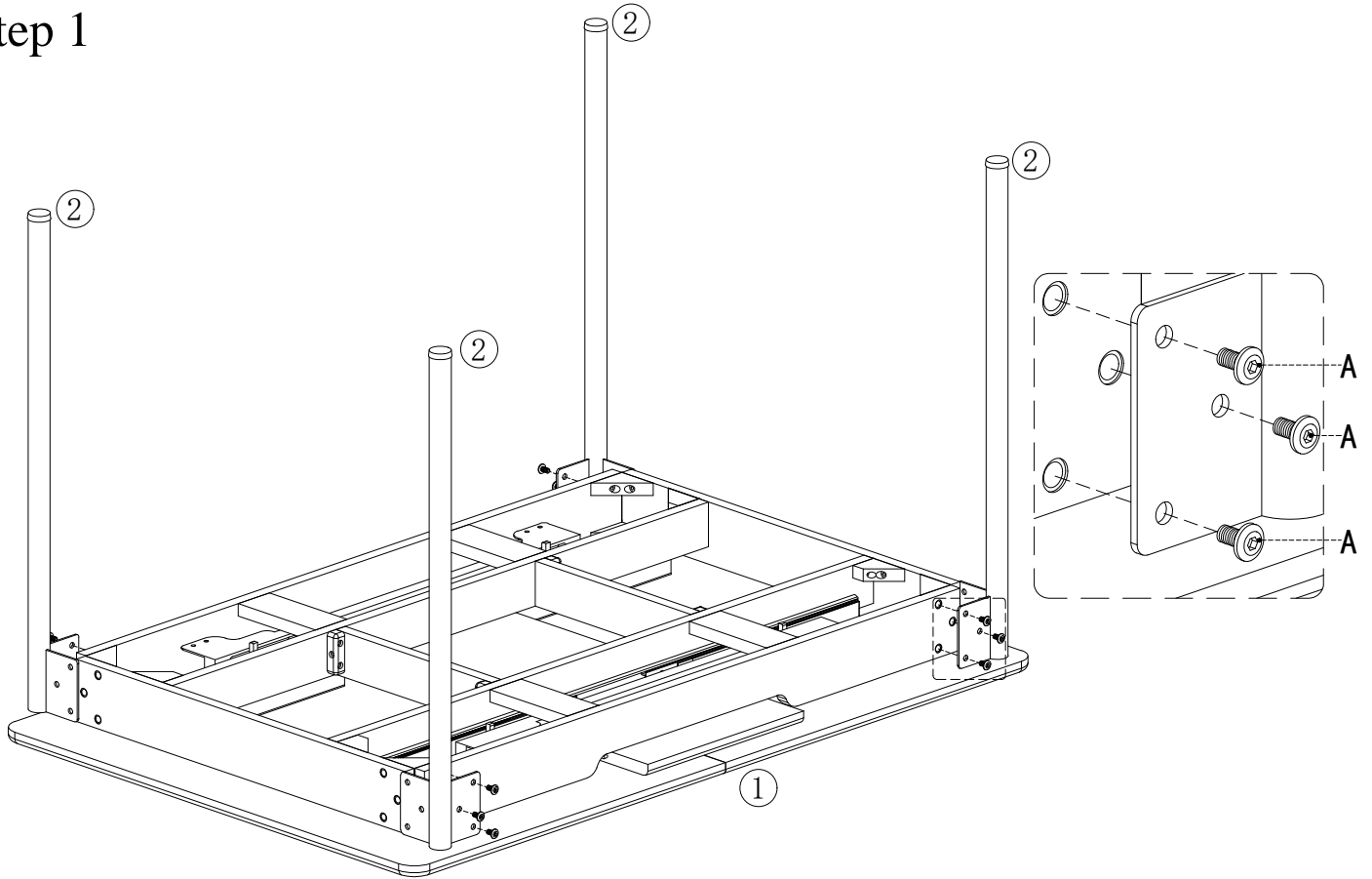
②





As shown in the picture:  
the switch wrench is in  
the open state

# Specification Name:Dining table

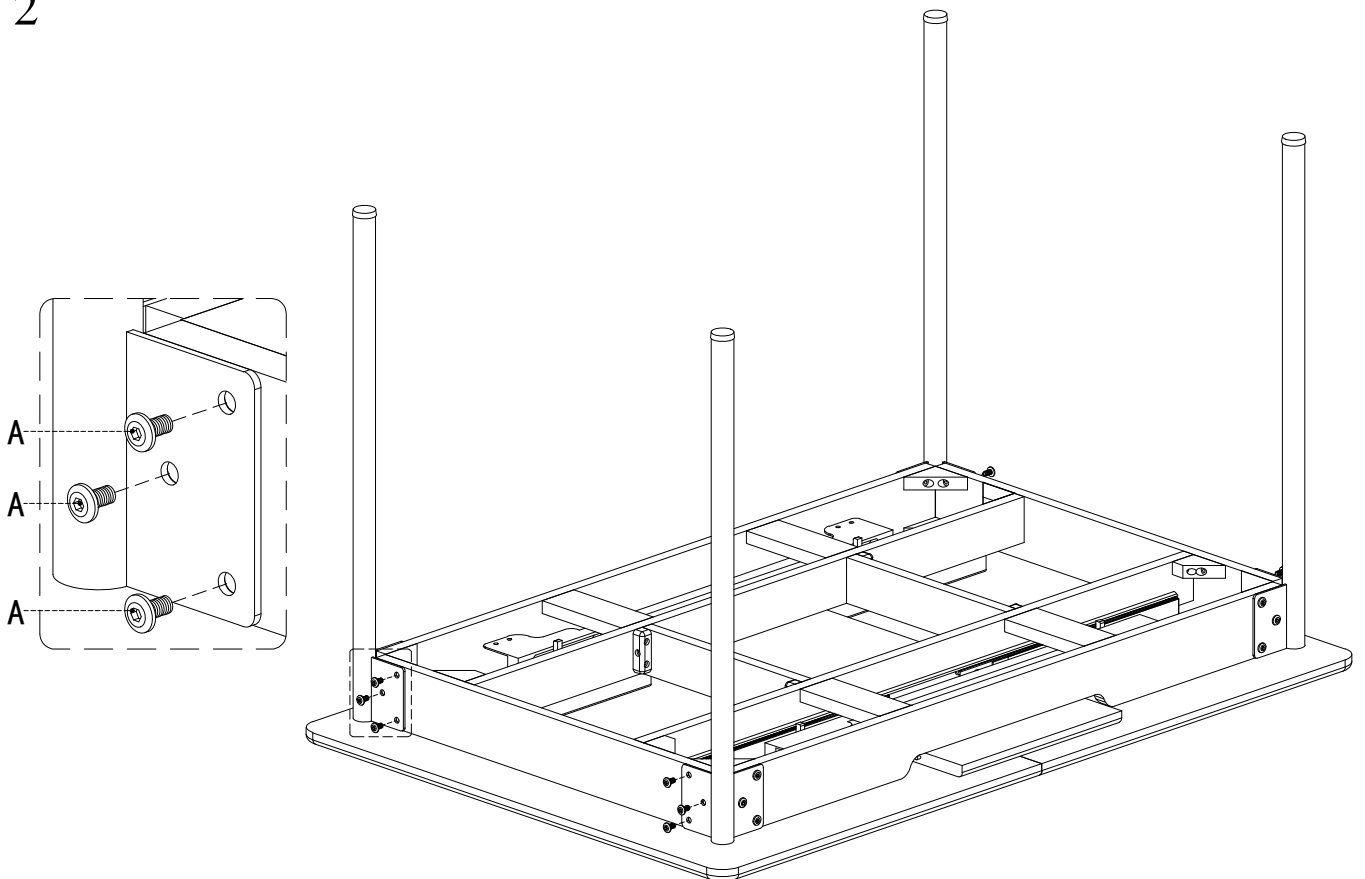
## Step 1





A		X12
B		X1

As shown:Assemble parts #1 and #2 with hardware A/B.

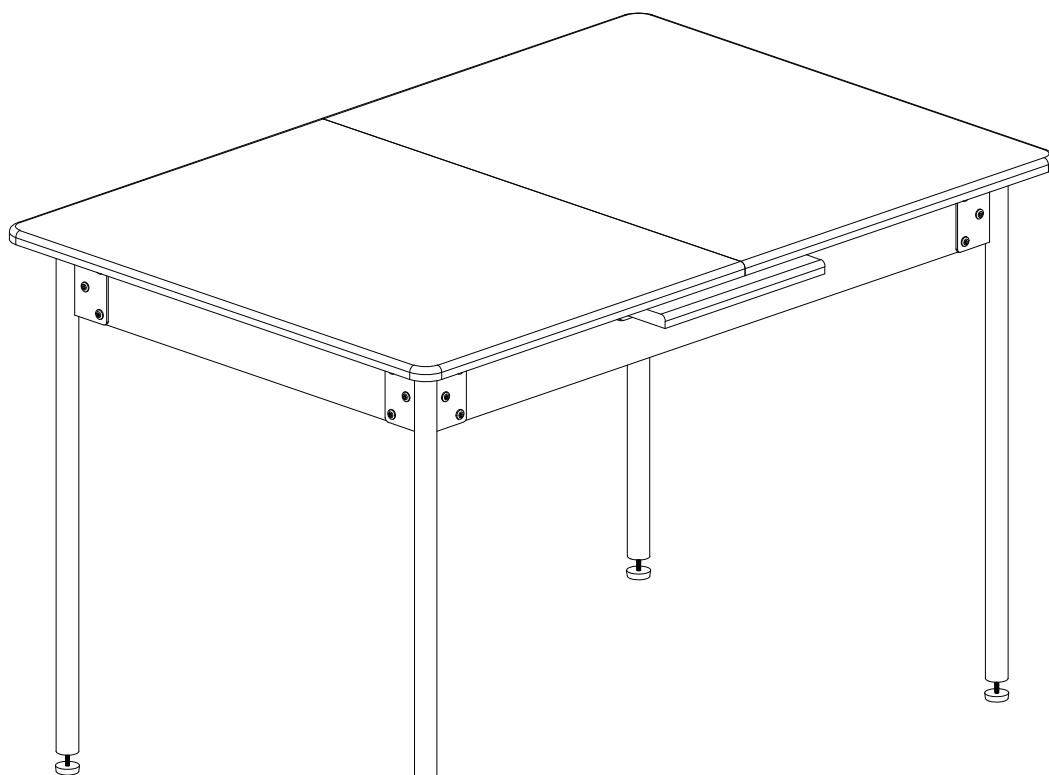
## Step 2



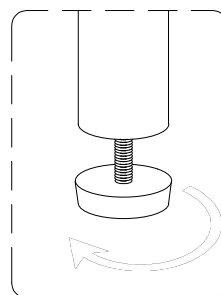
A		X12
B		X1

As shown:Assemble parts #1 and #2 with hardware A/B.

Step 3

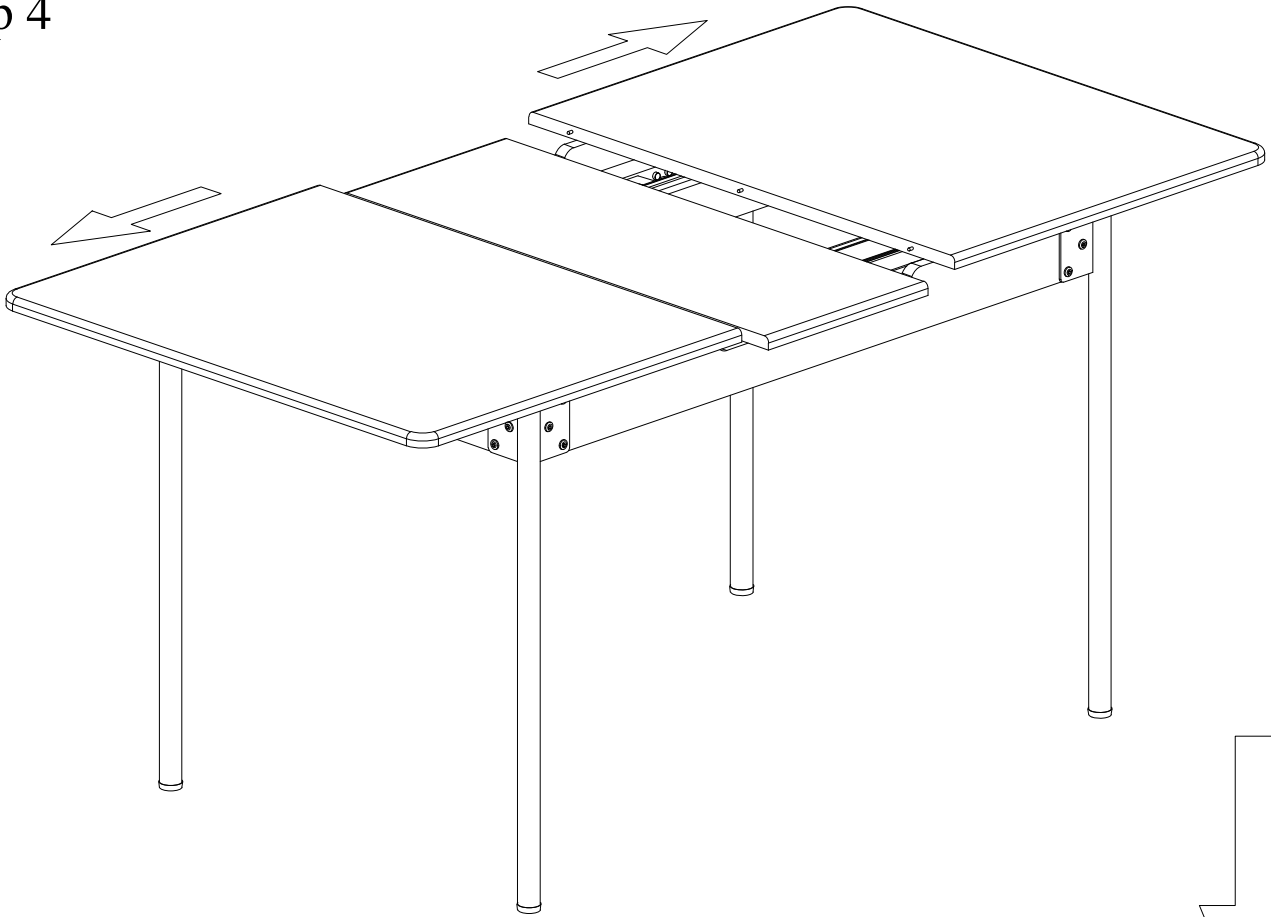


Adjust the height of the feet to smooth the table



# Specification Name:Dining table

## Step 4



1.To extend the tabletop, gently pull both side panels outward until the center panel fully elevates. Then push the side panels inward until they are flush against the center panel.2.To retract the tabletop, gently pull both side panels outward until the center panel fully lowers. Then push the side panels inward until they are snugly fit together.

