











Assembly Instructions

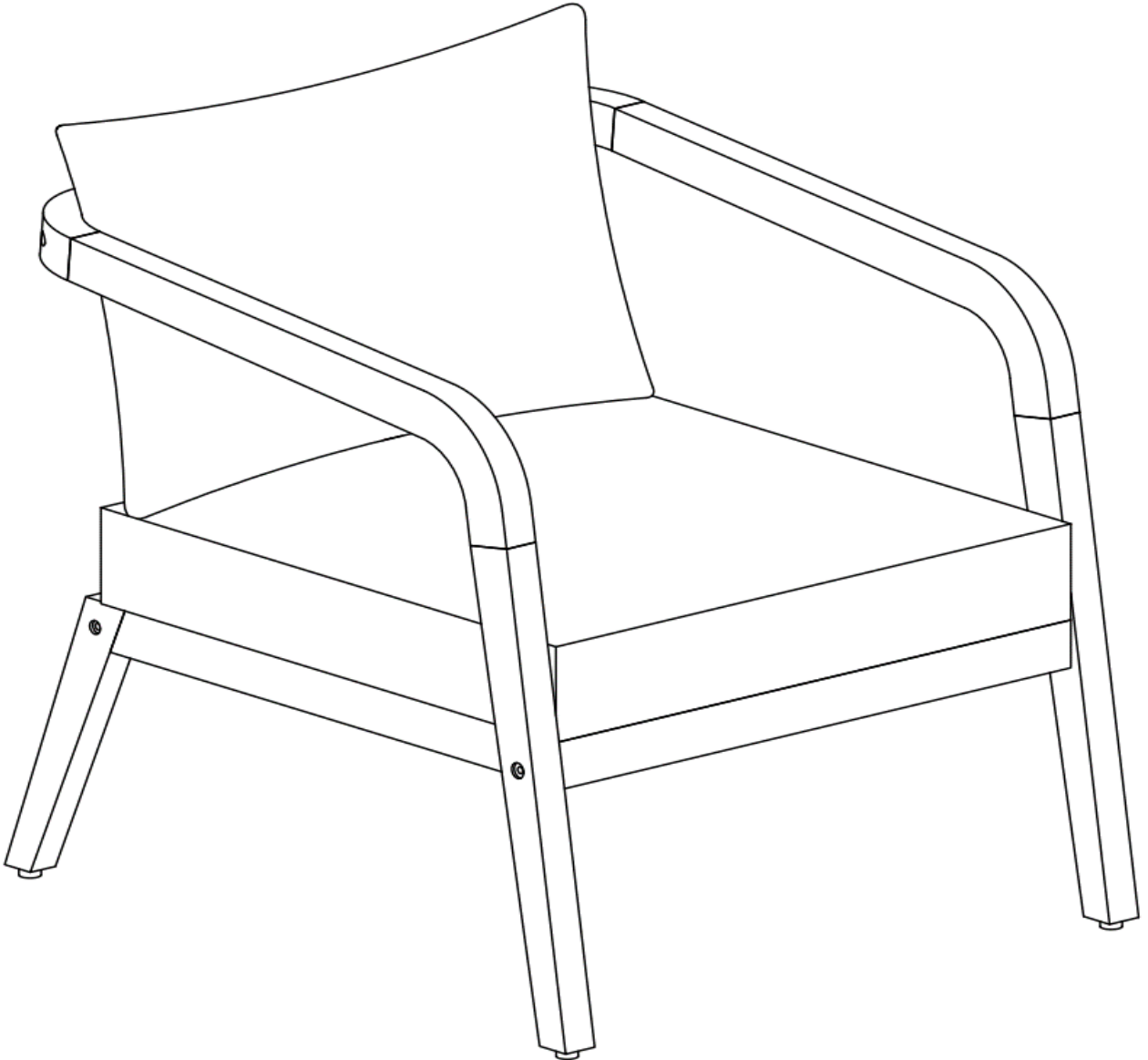
CAUTION: You must read these Assembly Instructions before you proceed.

Care & Maintenance

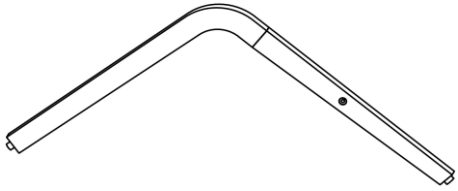
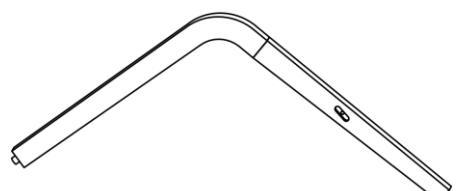
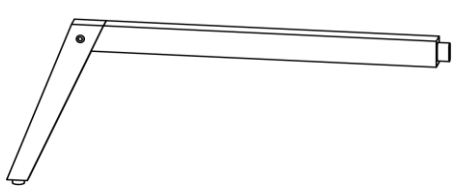
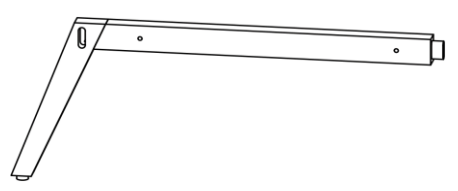
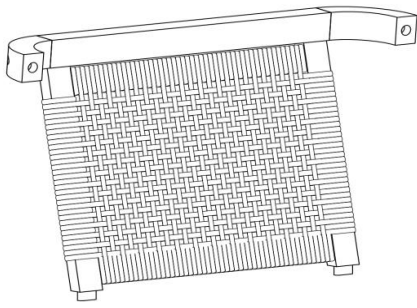
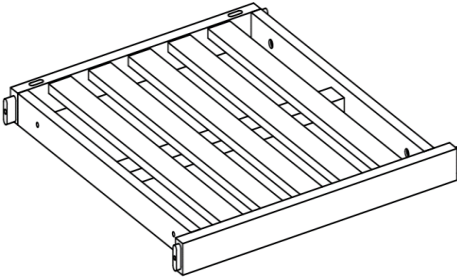
- ⊘  • Not for commercial use. For residential use only.
- ⊘  • Do not put hot items directly on furniture surface.
- ⊘  • Do not clean furniture with harsh cleansers or polish.
- ✓  • To obtain the longest lifespan of your outdoor products, minimizing exposure to direct sunlight is recommended.
- ⊘  • Children should not climb or jump on the furniture.
- ⊘  • Do not write on furniture without a padded barrier to protect the surface.
- ✓  • To obtain the longest lifespan of your outdoor products, avoid extended and lengthy exposure to rain, snow, and direct sunshine. Whenever possible cover the product and /or place under patio or awnings.
- ⊘  • Stains may be removed with mild soap solution and damp cloth.
- ✓  • Keep away from sources of ignition.
- ✓  • Dust and pick-up spills using a clean, non-colored, lint- free cloth.

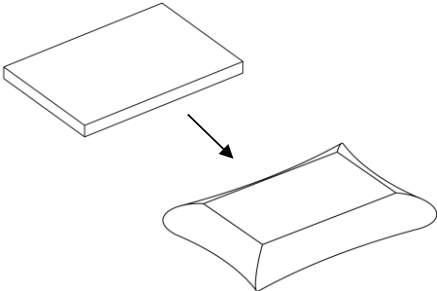
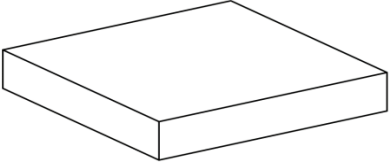
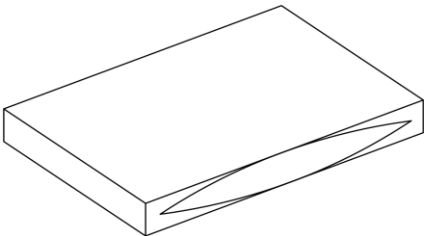
Please look in Seat Panel for hardware packs

CHAIR

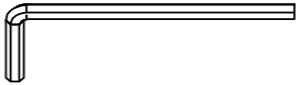
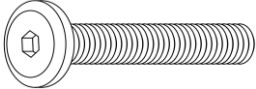
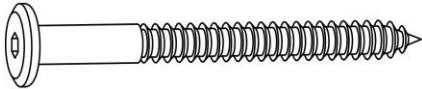
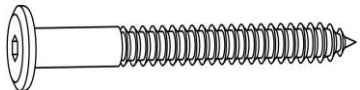


Parts List:

Label	Picture	Description	Qty
A		Left Arm Panel	1
B		Right Arm Panel	1
C		Left Leg	1
D		Right Leg	1
E		Backrest Panel	1
F		Seat Panel	1

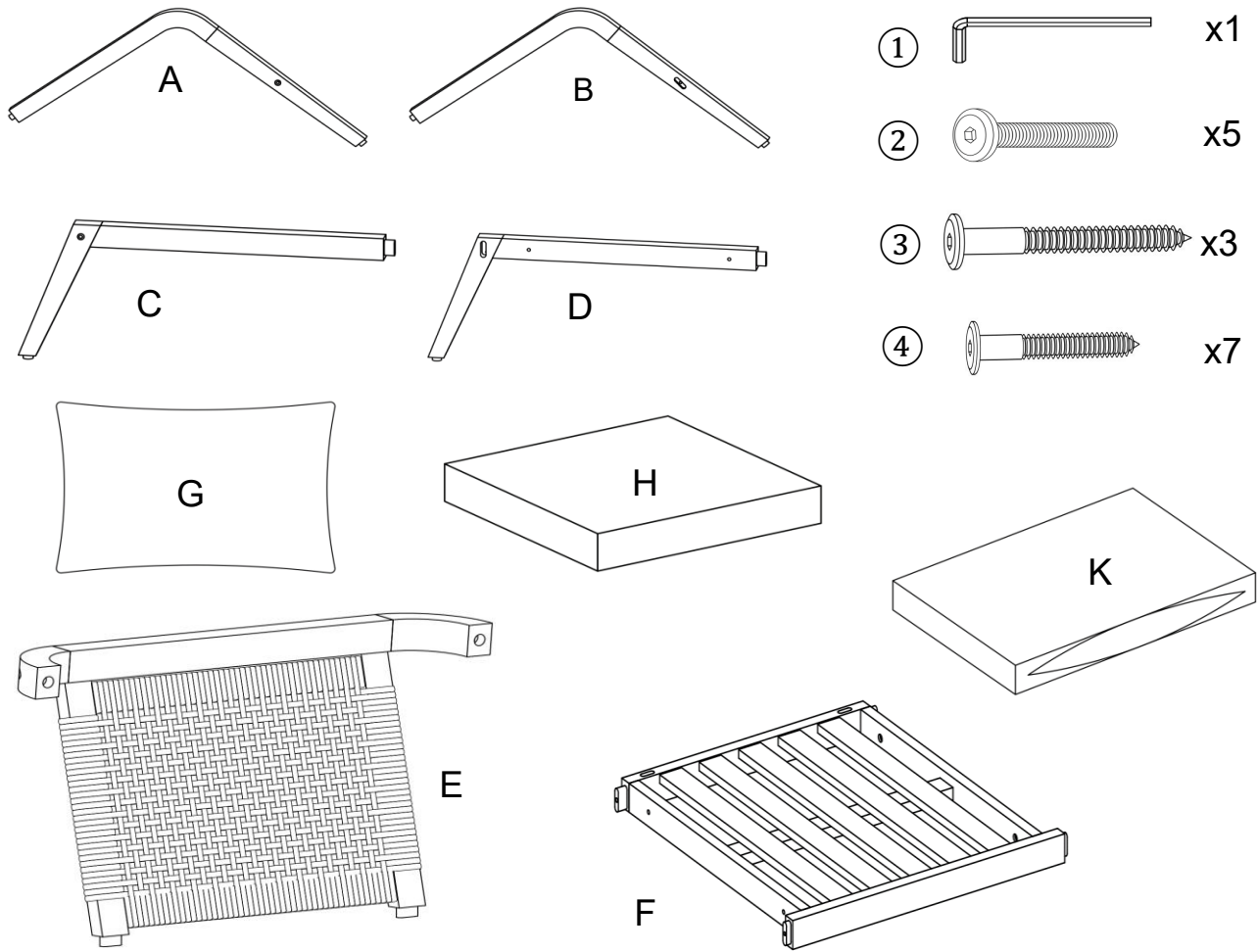
G		Back Cushion	1
H		Seat Cushion	1
K		Back Cushion Cover	1

Hardware:

No	Picture	Description	Qty
①		Allen Wrench	1
②		Bolt (M6x40mm)	5
③		Screw (M7x90mm)	3
④		Screw (M6x70mm)	7

Assembly Preparation:

Before Beginning Assembly:



• Read instructions, cover to cover-



• Have 2 adults on hand for assembly-



• Do not assemble on flooring or carpet-



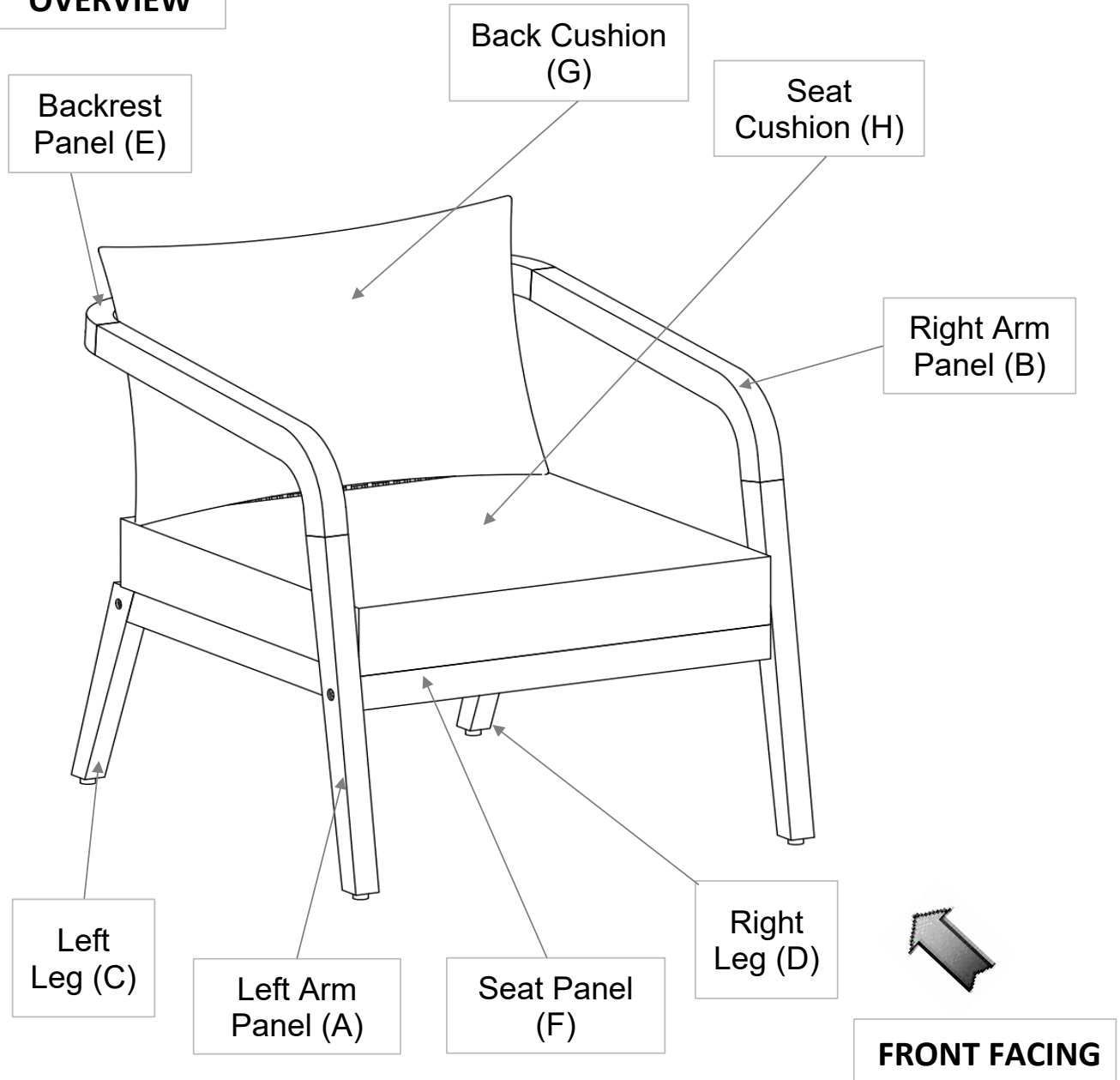
• Assemble on a clean non-marring surface (packing foam)-



• Save all packaging until finished-

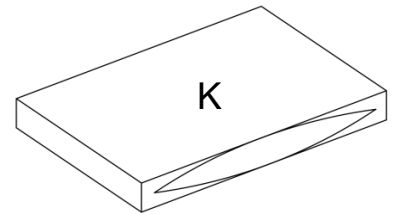
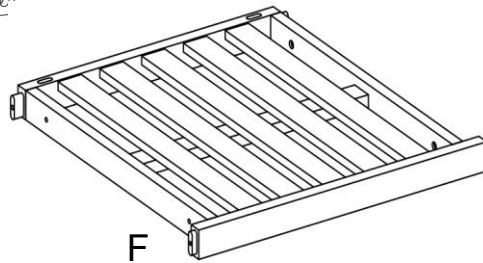
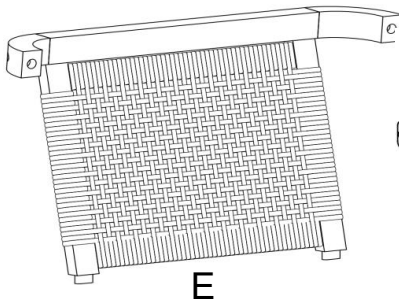
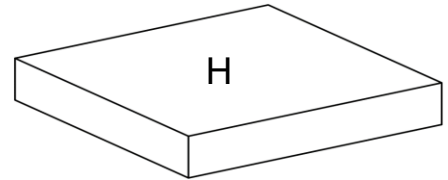
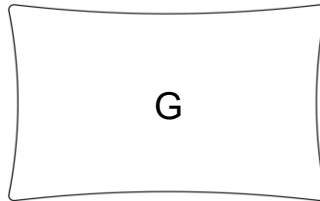
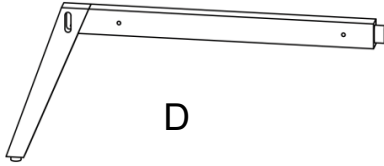
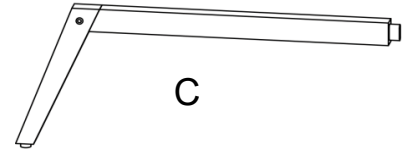
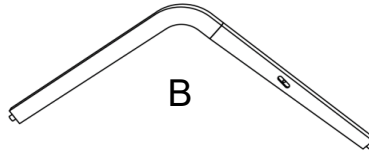
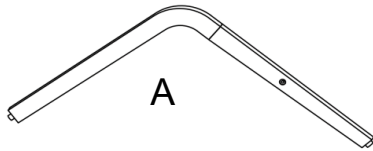
Assembly Steps:

OVERVIEW

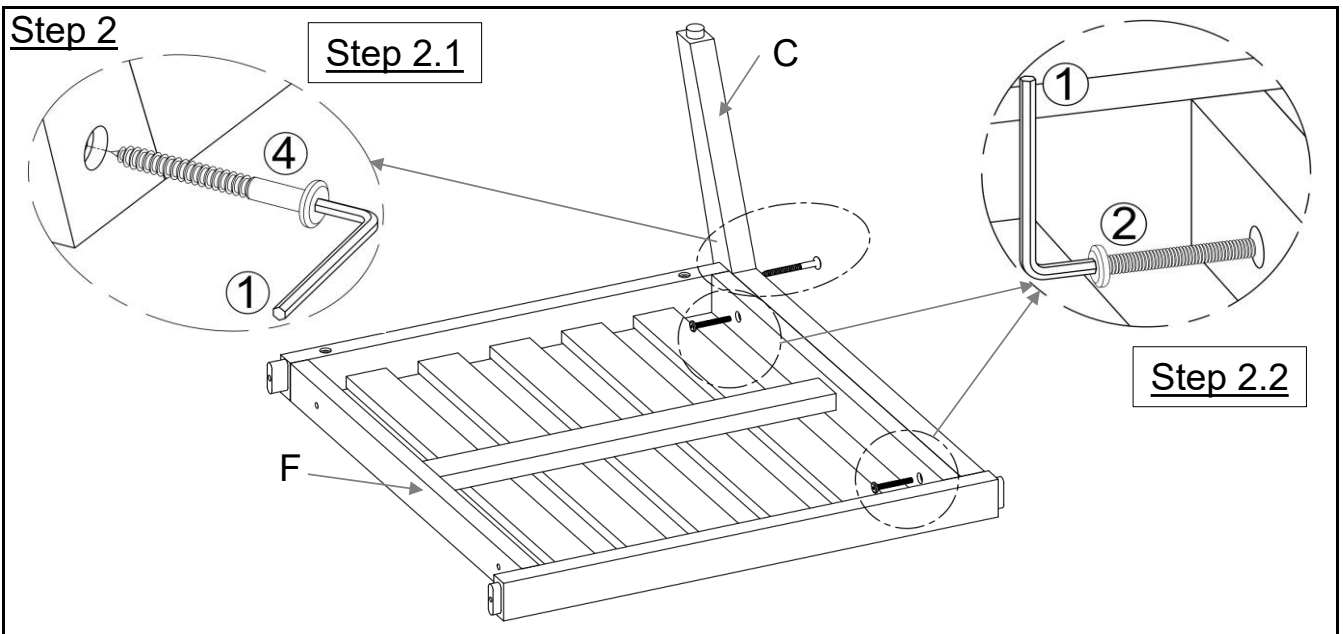


This Chair has multiple parts and may require up to 30 minutes to assemble. To give you an overview of the Chair, the above picture is to help you put the various parts into perspective. Please read through the instructions here below to familiarise yourself with the parts and steps before assembly.

Step 1



Unpack and place all parts on a clean, non-marring surface.

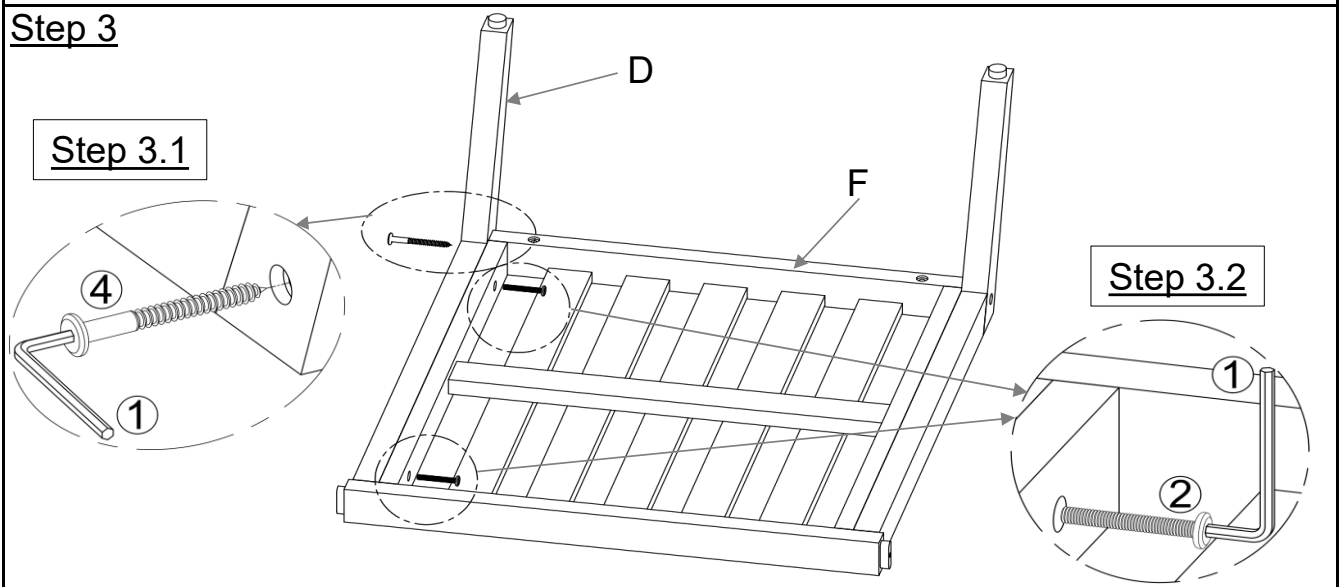


With assistance from your adult partner, place Seat Panel (F) facing down and attach Left Leg (C) to Seat Panel (F) as shown above. Then:

Step 2.1, secure Left Leg (C) to Seat Panel (F) by using Screw (④) with Allen Wrench (①).

Step 2.2, secure Left Leg (C) to Seat Panel (F) by using Bolts (②) with Allen Wrench (①).

DO NOT fully tighten the Bolts and the Screw.



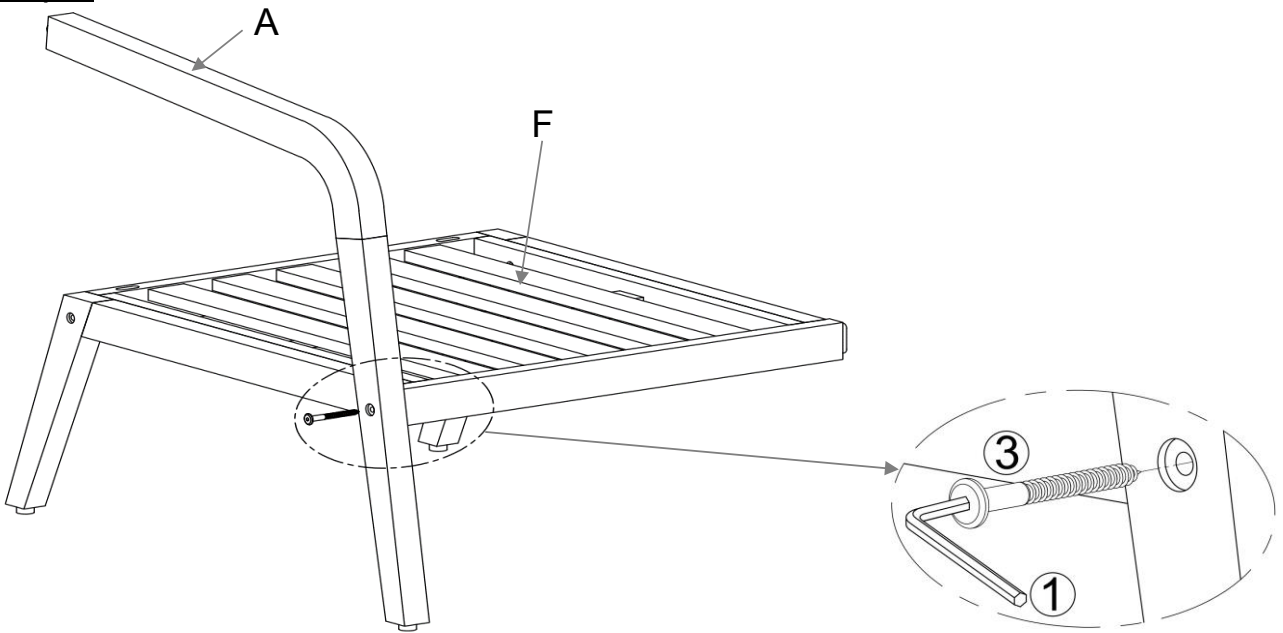
With assistance from your adult partner, attach Right Leg (D) to the assembled part in Step 2 as shown above. Then:

Step 3.1, secure Right Leg (D) to Seat Panel (F) by using Screw (④) with Allen Wrench (①).

Step 3.2, secure Right Leg (D) to Seat Panel (F) by using Bolts (②) with Allen Wrench (①).

DO NOT fully tighten the Bolts and the Screw.

Step 4

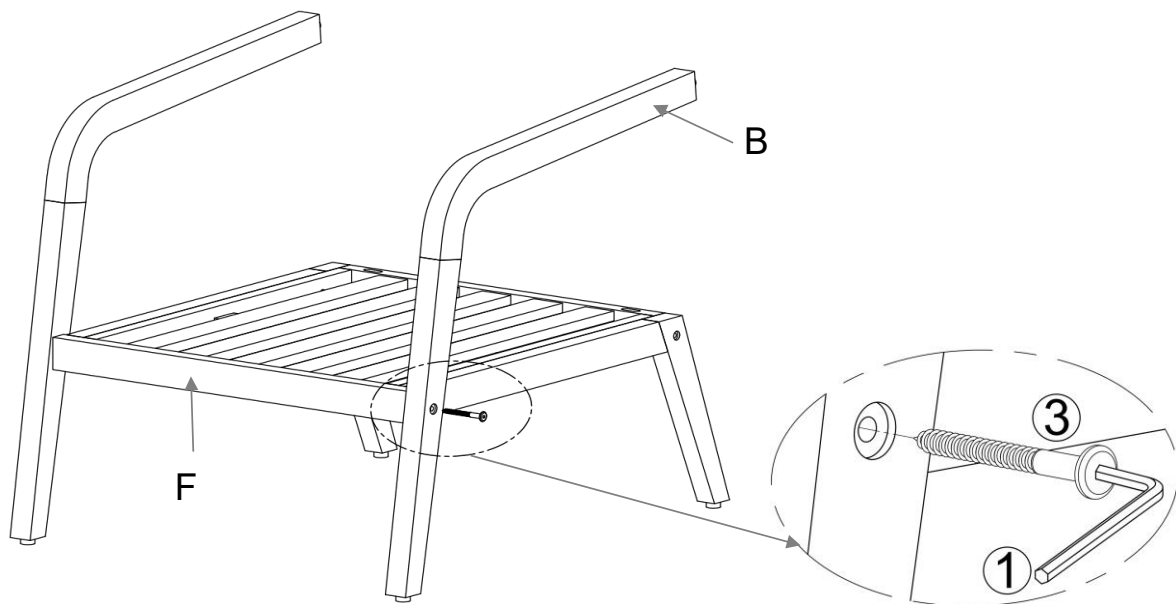


With assistance from your adult partner, turn the assembled part in Step 3 right side up as shown above.

Then attach Left Arm Panel (A) to Seat Panel (F) by using Screw (3) with Allen Wrench (1).

DO NOT fully tighten the Screw.

Step 5

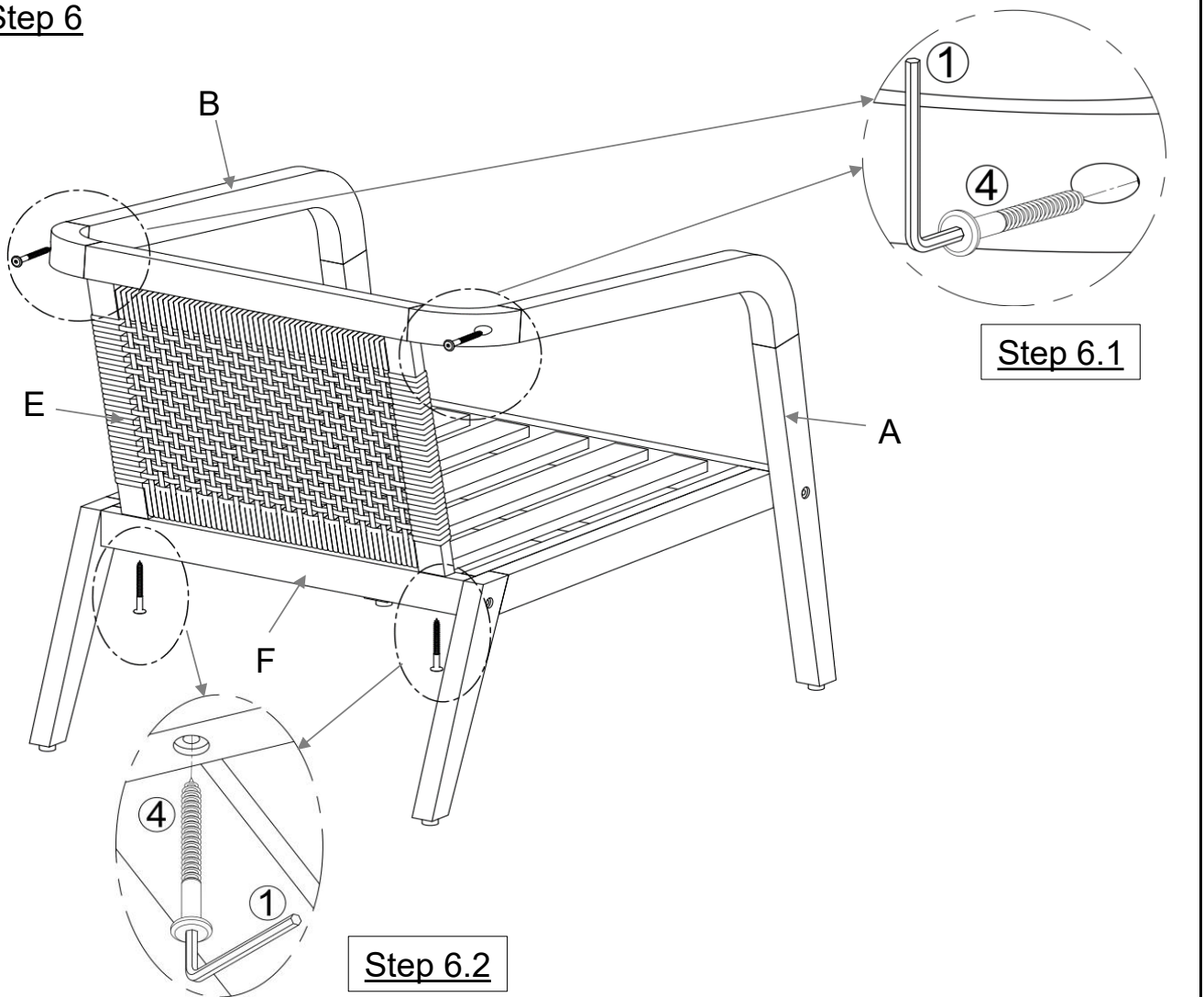


With assistance from your adult partner, attach Right Leg Panel (B) to the assembled part in Step 4 as shown above.

Then secure Right Arm Panel (B) to Seat Panel (F) by using Screw (3) with Allen Wrench (1).

DO NOT fully tighten the Screw.

Step 6



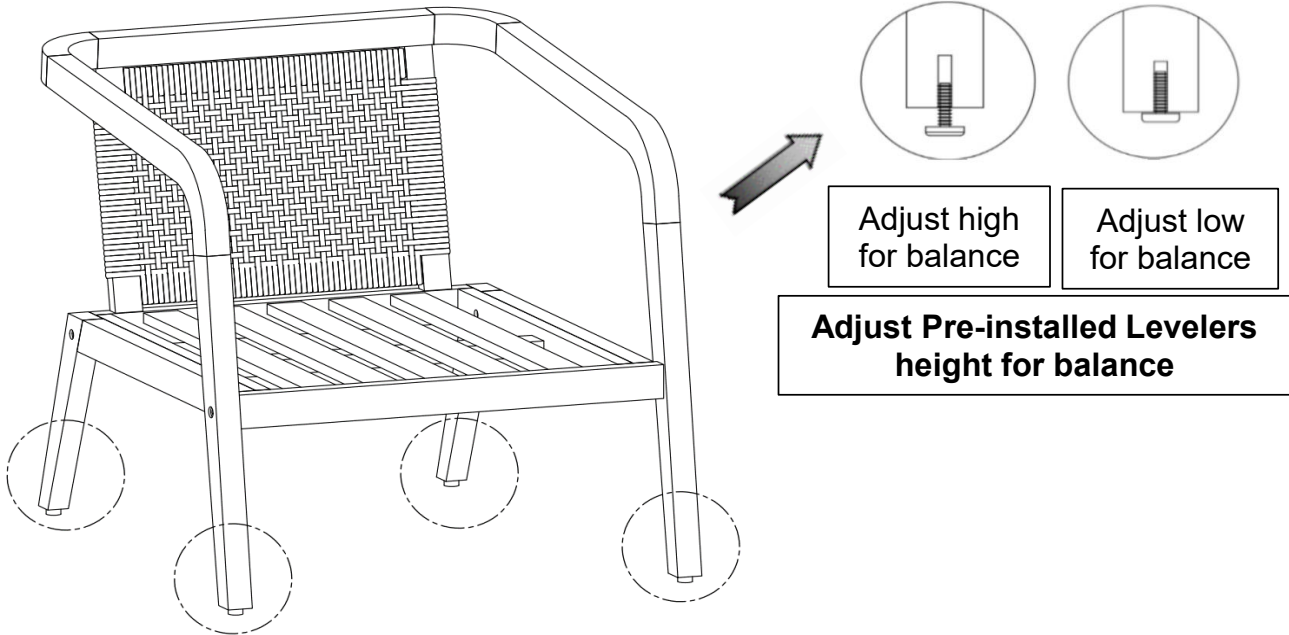
With assistance from your adult partner, attach Backrest Panel (E) to the assembled part in Step 5 as shown above. Then:

Step 6.1, secure Backrest Panel (E) to Leg Panels (A,B) by using Screws (④) with Allen Wrench (①).

Step 6.2, secure Backrest Panel (E) to Seat Panel (F) by using Screws (④) with Allen Wrench (①).

DO NOT fully tighten the Screws.

Step 7



Inspect it and make sure all parts are adequately connected.

Gently and gracefully, sit onto the Chair.

This will help to align all the parts at all joint areas.

Then get off the Chair and proceed to tighten the Bolts and Screws in a sequential manner.

When tightening the Screws and Bolts tighten sequentially.

DO NOT tighten any Screws or Bolts fully and then move on towards the next one.

If there are still wobbles, loosen the Screws, Bolts execute this same process.

Adjust Pre-installed Levelers height for balance.

Step 8



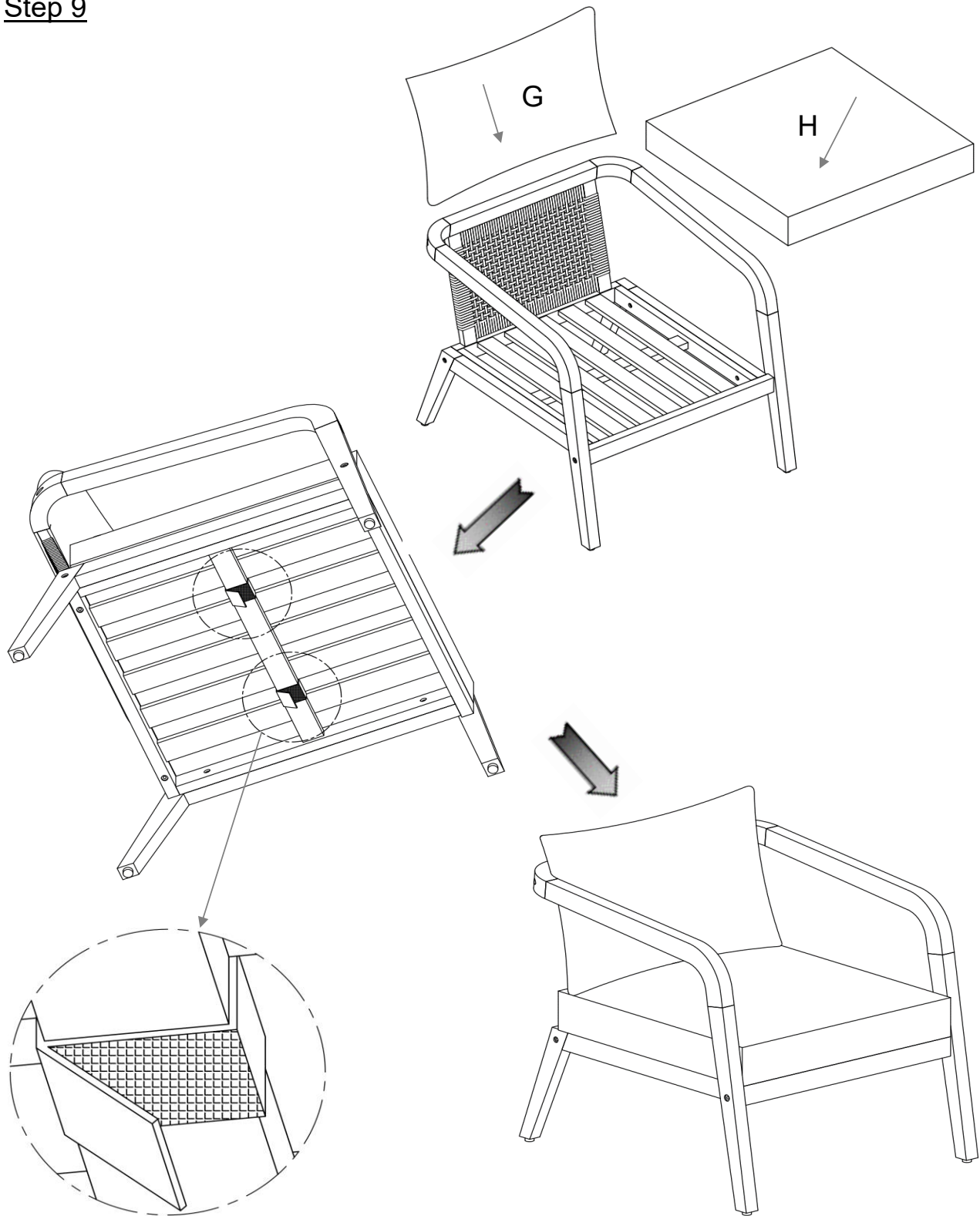
8.1 Remove plastic bag to decompress white foam Back Cushion (G).

8.2 Unzip Back Cushion Cover (K).

8.3 Insert Back Cushion (G) into matching Back Cushion Cover (K).

8.4 Adjust/smooth out cover and cushion before zipping pillow closed.

Step 9



Place Seat Cushion (H) onto the Chair by affix the Magic Tape Straps on the seat slats of Seat Panel (F) as shown above.

Then, place Back Cushion (G) onto the Seat Cushion (H).

Your Chair is ready to use.

This Chair can only be used on a flat, level surface.