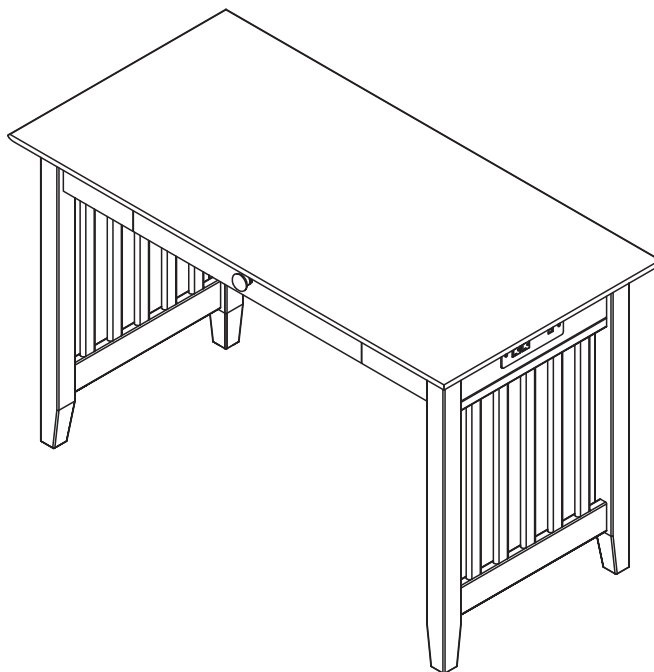
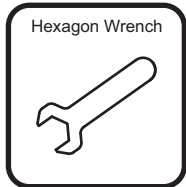


DESK WITH DRAWER CHARGING STATION

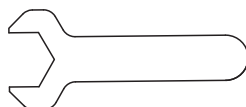
ASSEMBLY INSTRUCTIONS

Before assembling your Desk, please read through these instructions carefully and familiarize yourself with the different parts.



NOTE: WE INCLUDE SPARE HARDWARE IN CASE THE HEXAGON NUT, WASHER, WOODEN DOWEL, OR WOOD SCREW ARE DAMAGED DURING ASSEMBLY.

A Flat washer - 8 pcs
Spare - 2 pcs



C Hexagon wrench - 1 pc

D Wooden Dowel - 4 pcs
Spare - 1 pc



B Hexagon nut - 8 pcs
Spare - 2 pcs



E Wood Screw - 4 pcs
Spare - 1 pc

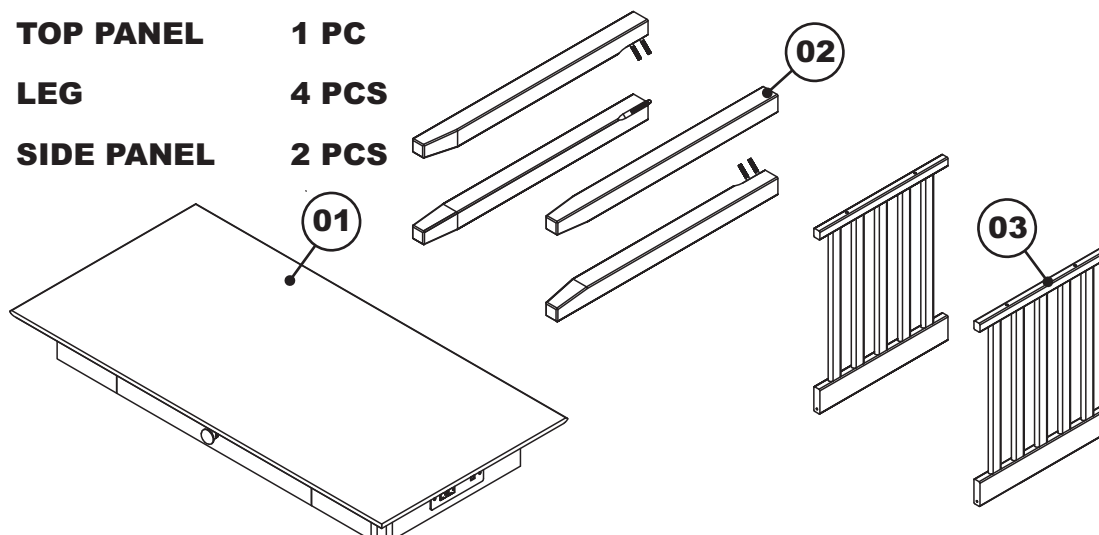


PARTS LIST

01 TOP PANEL 1 PC

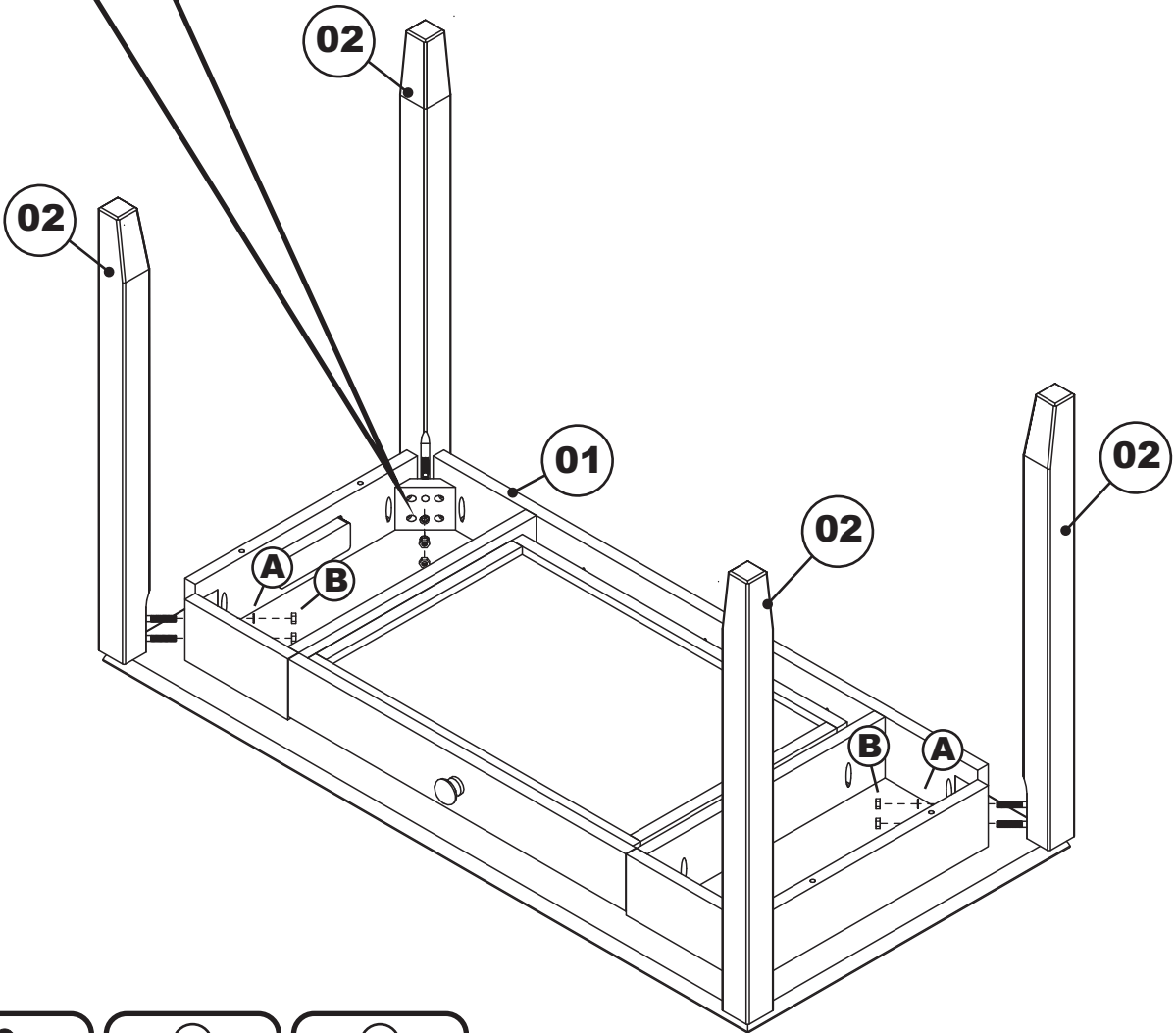
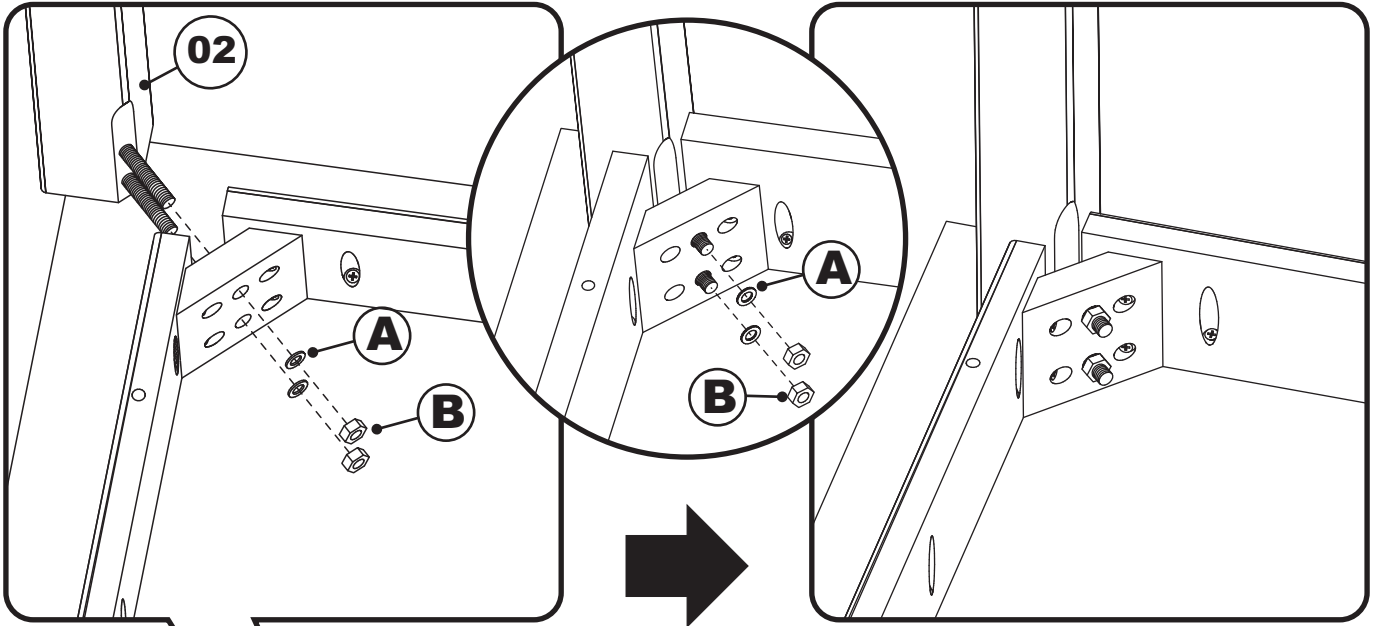
02 LEG 4 PCS

03 SIDE PANEL 2 PCS

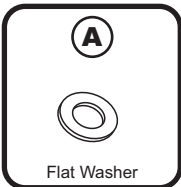


STEP 1

Attach the legs (02) to the top panel (01) using flat washers (A) and hexagon nuts (B), tighten with hexagon wrench (C), as shown below.



Adult Assembly



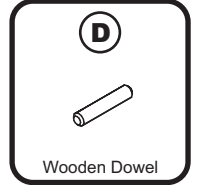
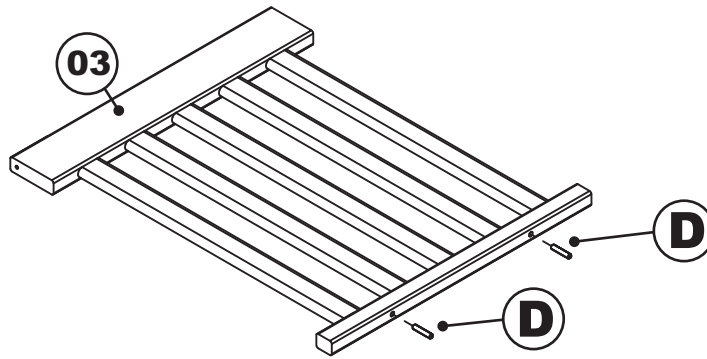
Flat Washer



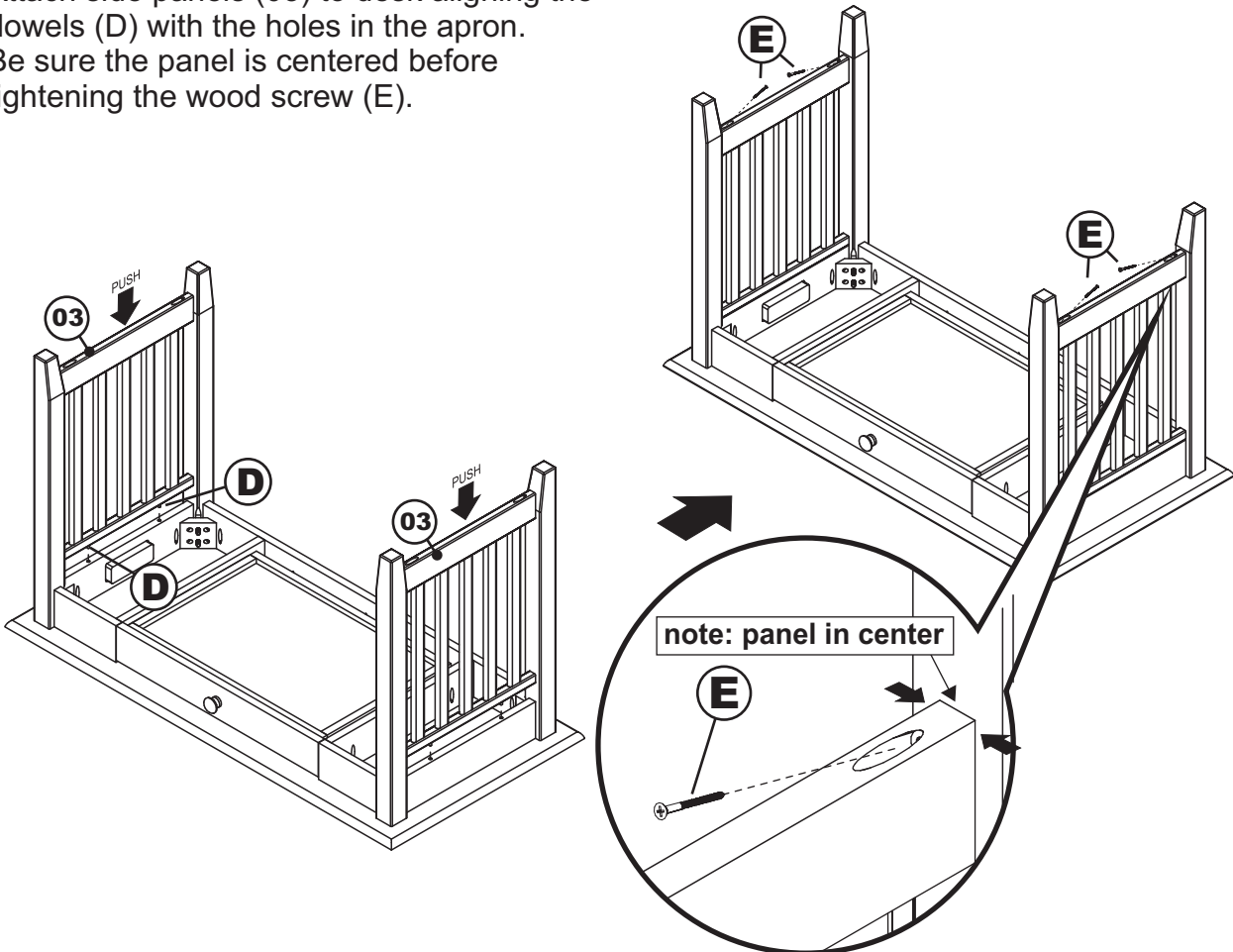
Hexagon Nut

STEP 2

Install wooden dowels (D) into the locator holes on (03) as shown below. Repeat with the other panel.

**STEP 3**

Attach side panels (03) to desk aligning the dowels (D) with the holes in the apron. Be sure the panel is centered before tightening the wood screw (E).

**Congratulations!**

Your Desk is now ready for use.

To ensure lasting safety, we recommend that you periodically check that all screws are tight and all parts are secure.