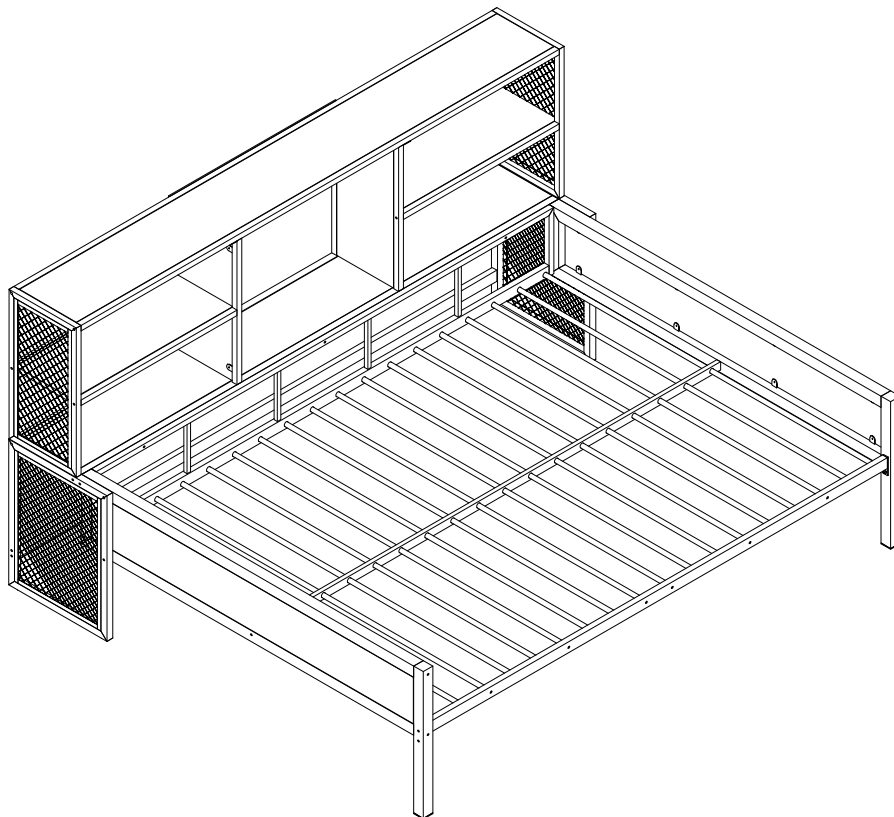
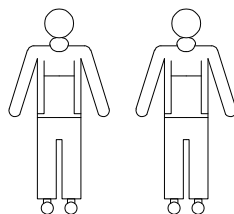


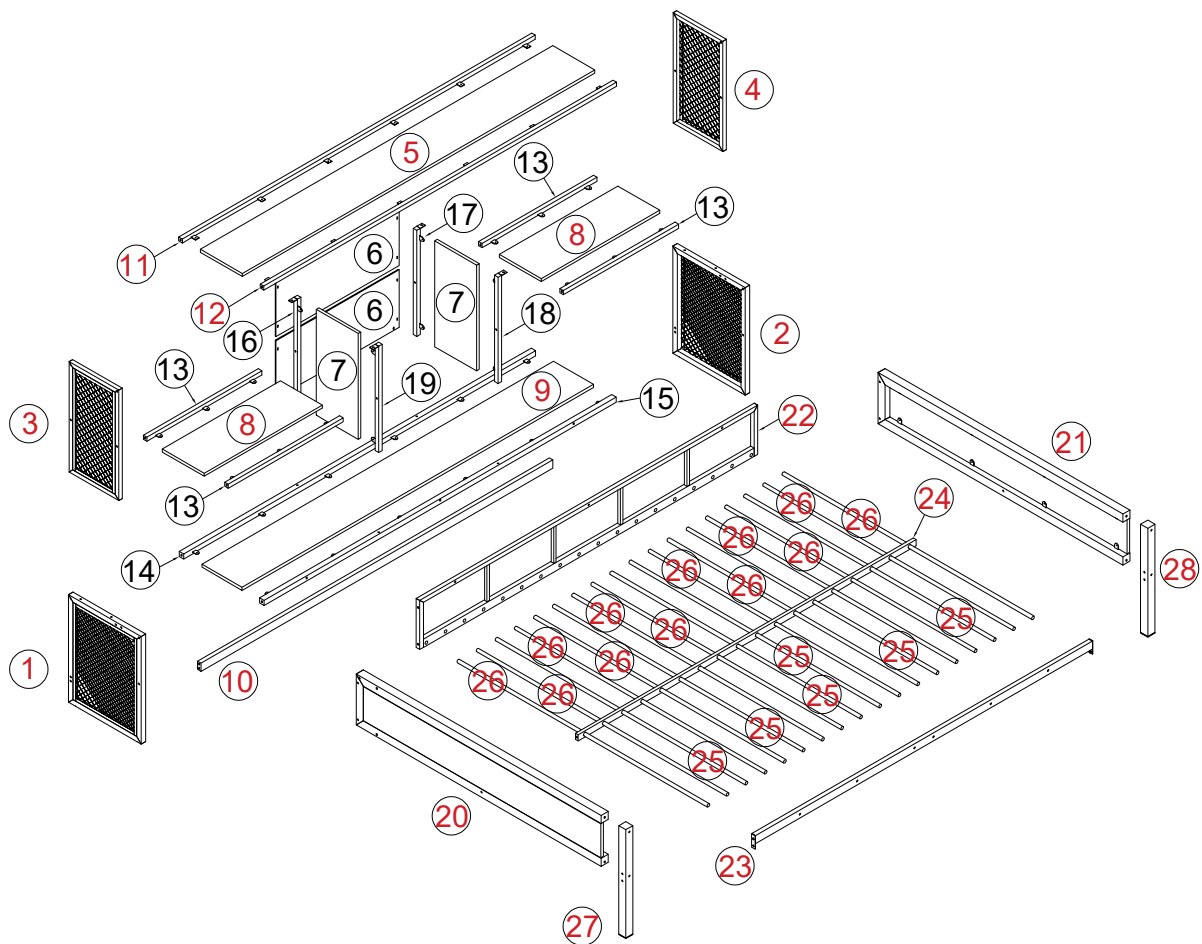
ASSEMBLY INSTRUCTION

MF314854 / MF314855

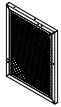
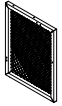
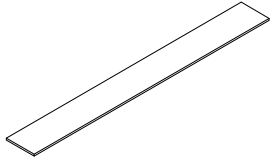
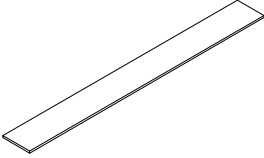
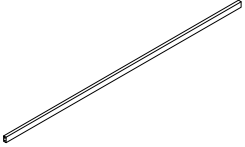
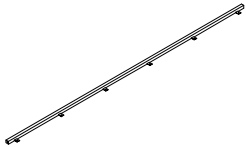
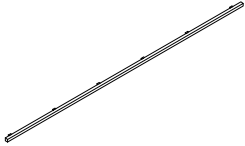

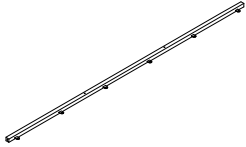
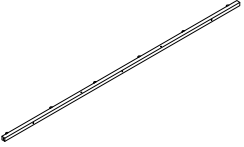
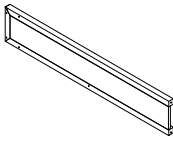
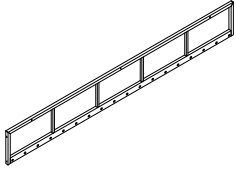
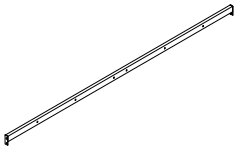
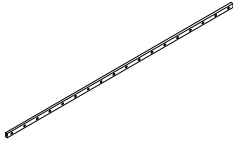
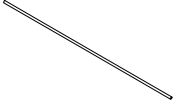
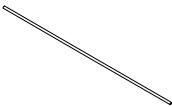


Minimum no. 2 of people
recommended to assemble
this product: Approx.
assembly time: 60 mins






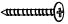
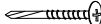
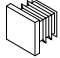
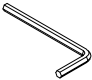






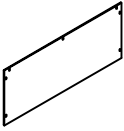

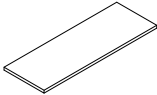




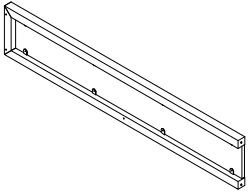


PART LIST MF314854

1		1PC	2		1PC	5		1PC
9		1PC	10		1PC	11		1PC
12		1PC	13		4PCS	14		1PC
15		1PC	20		1PC	22		1PC
23		1PC	24		1PC	25		6PCS
26		12PCS						

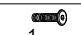
HARDWARE LIST MF314854

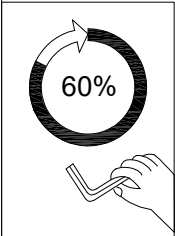
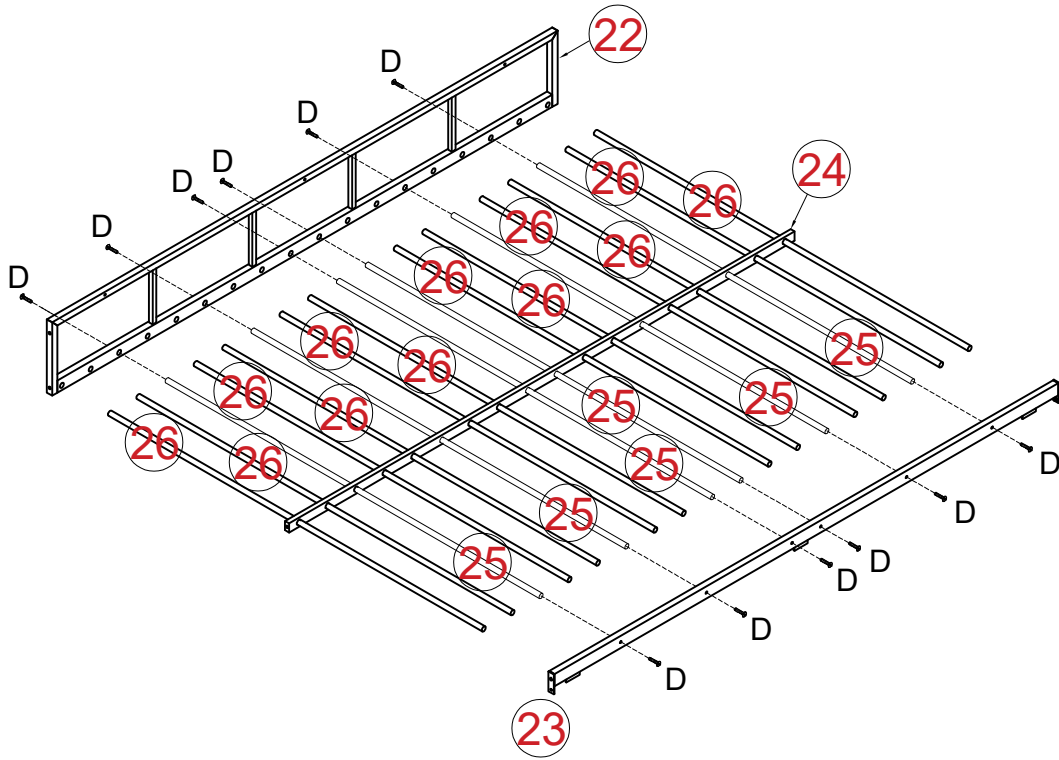
A		12PCS M $\frac{1}{4}$ "X55	B		2PCS M $\frac{1}{4}$ "X50	C		37PCS M $\frac{1}{4}$ "X40	D		16PCS M $\frac{1}{4}$ "X15
E		4PCS $\frac{1}{4}$ "x7	F		44PCS M4x15	G		14PCS M4x20	H		2PCS #40x40x13
i		1PC M4X23X57									

PART LIST MF314855



<p>3</p>  <p>1PC</p>	<p>4</p>  <p>1PC</p>	<p>6</p>  <p>2PCS</p>
<p>7</p>  <p>2PCS</p>	<p>8</p>  <p>2PCS</p>	<p>16</p>  <p>1 PC</p>
<p>17</p>  <p>1PC</p>	<p>18</p>  <p>1PC</p>	<p>19</p>  <p>1PC</p>
<p>21</p>  <p>1PC</p>	<p>27</p>  <p>1PC</p>	<p>28</p>  <p>1PC</p>

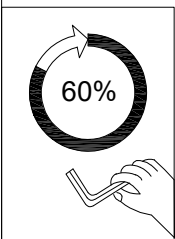
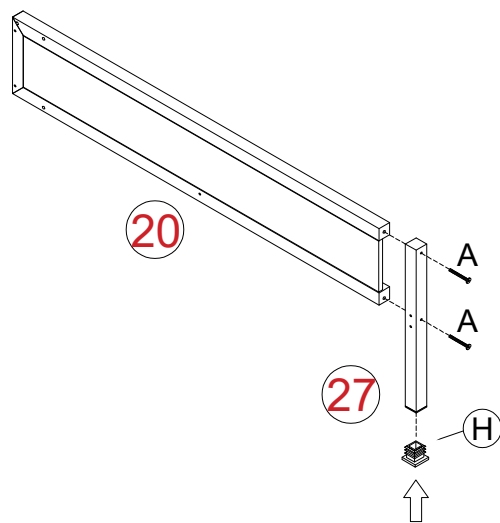
STEP 1

D
 M $\frac{1}{4}$ "x15
12 PCS





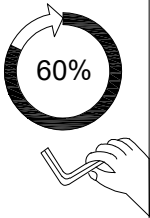
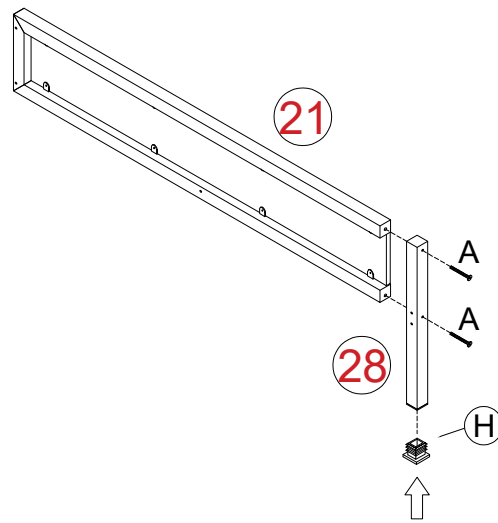
STEP 2

A	H
 M $\frac{1}{4}$ "x55	 #40x40x13
2 PCS	1 PC





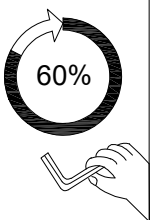
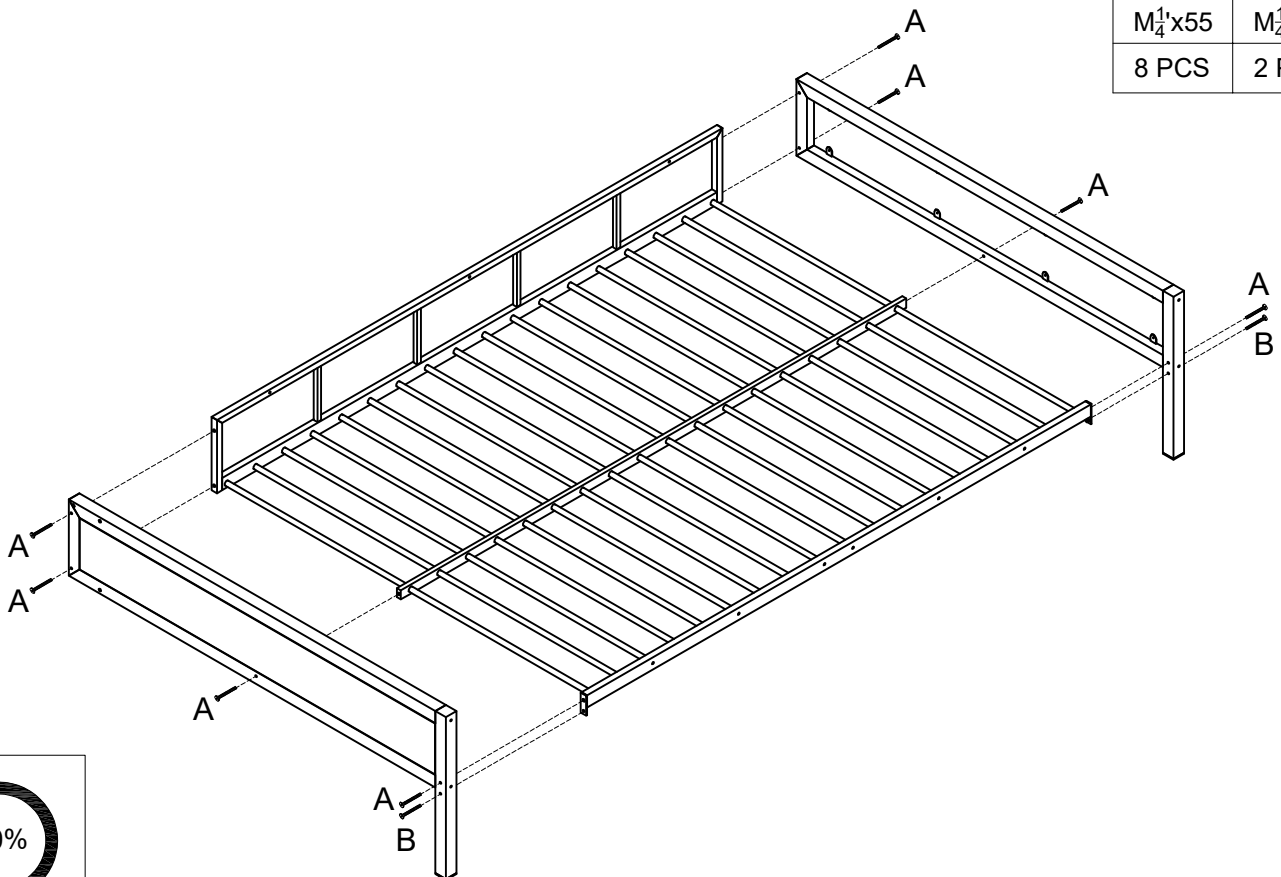
STEP 3

A	H
	
M $\frac{1}{4}$ "x55	#40x40x13
2 PCS	1 PC





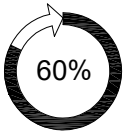
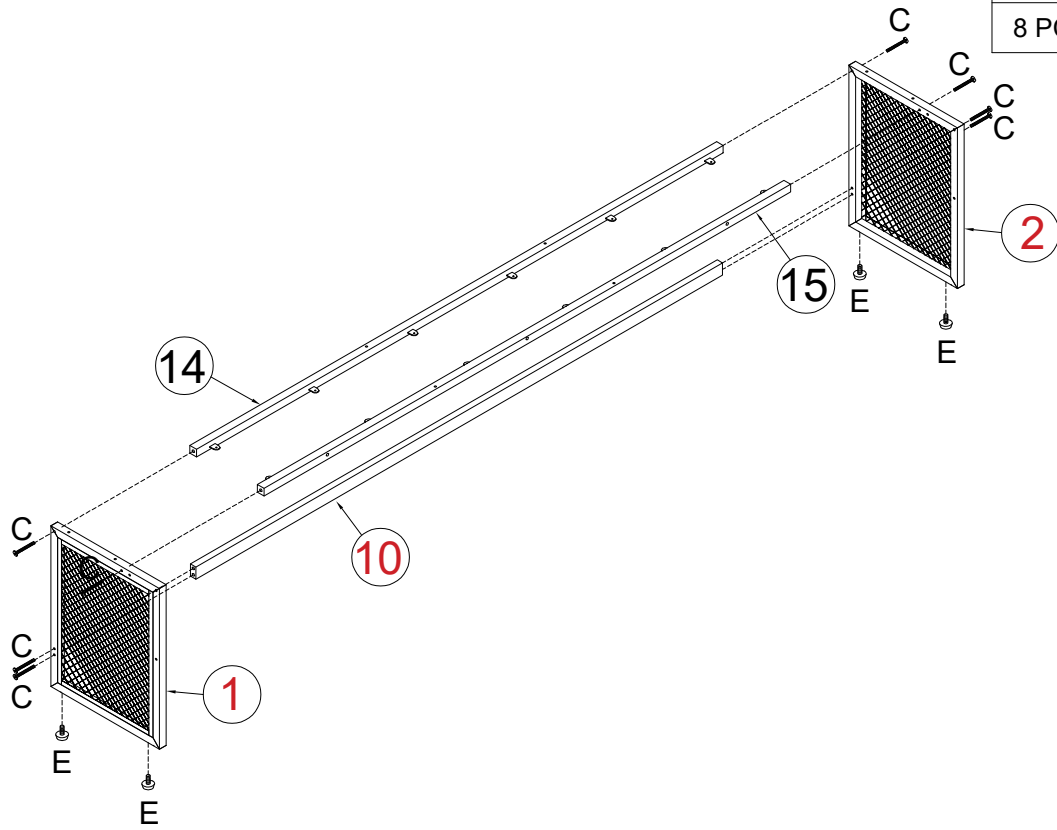
STEP 4

A	B
	
M $\frac{1}{4}$ "x55	M $\frac{1}{4}$ "x50
8 PCS	2 PCS

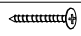


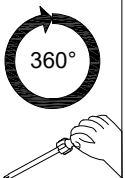
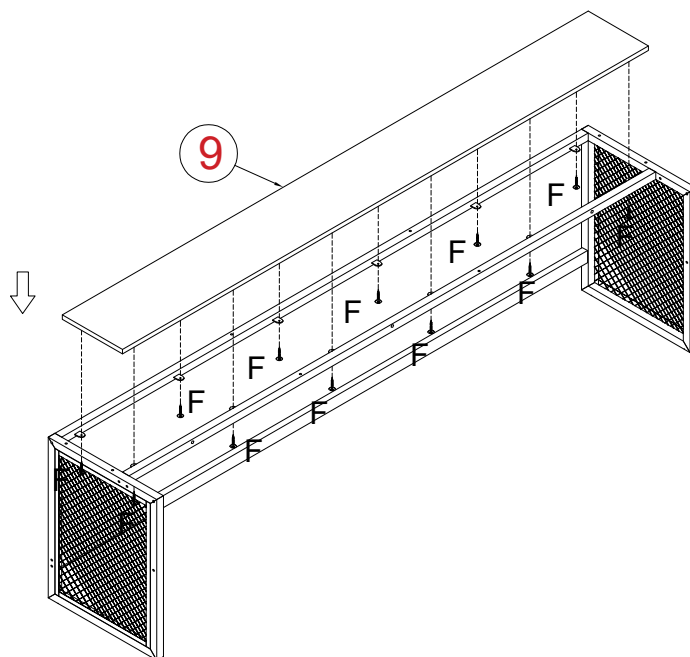
STEP 5

C	E
	
M $\frac{1}{4}$ "x40	$\frac{1}{4}$ "x7
8 PCS	4PCS




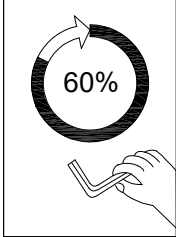
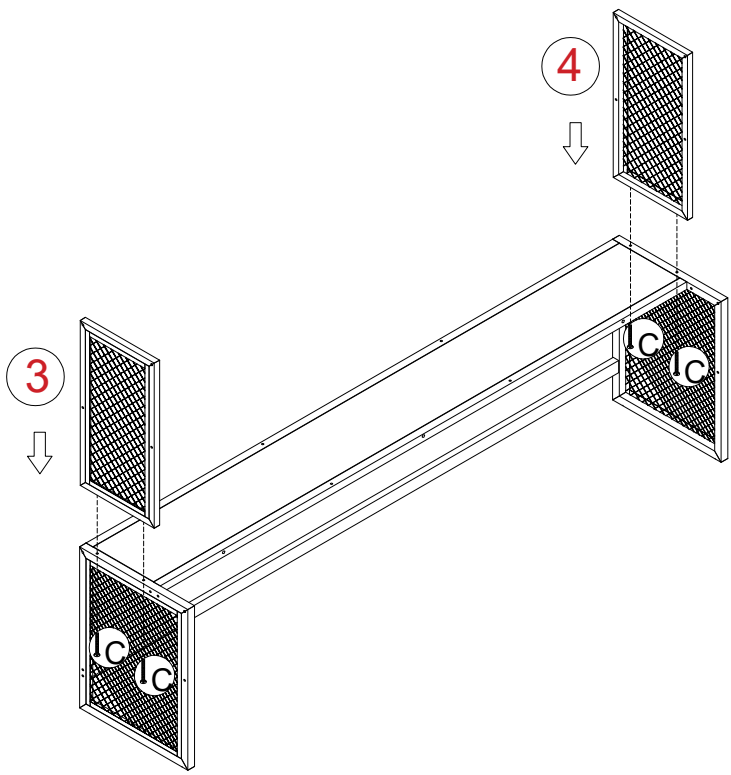
STEP 6

F

M4x15
12 PCS




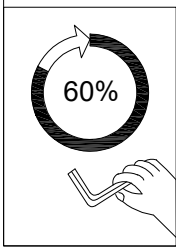
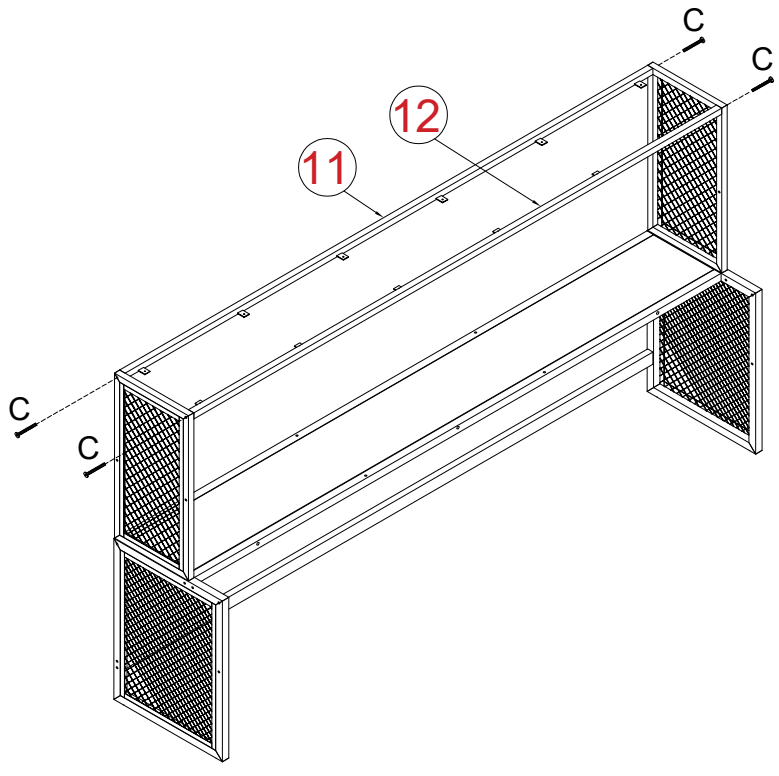
STEP 7

C
 M $\frac{1}{4}$ "x40
4 PCS

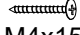


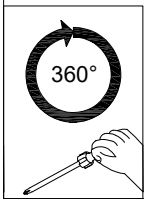
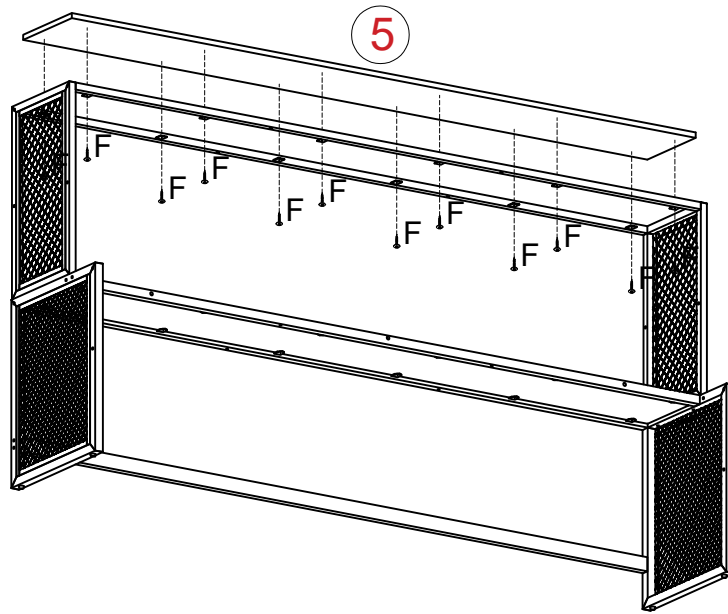
STEP 8

C
 M $\frac{1}{4}$ "x40
4 PCS





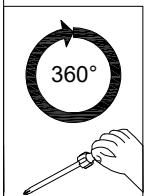
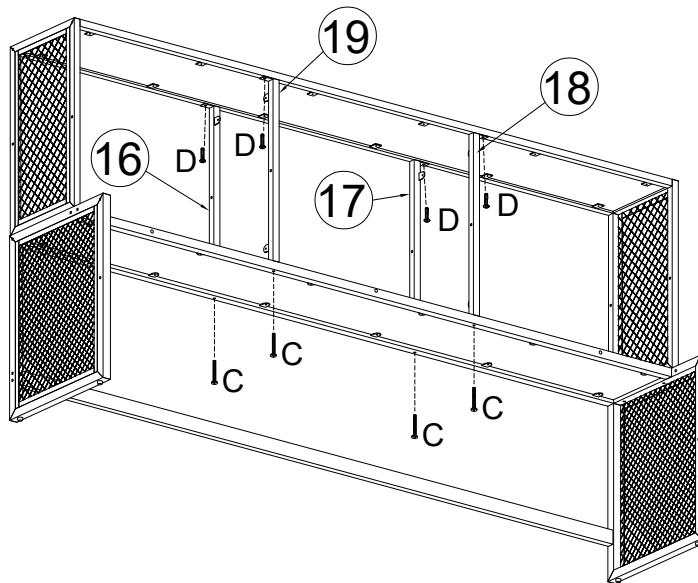
STEP 9

F
 M4x15
12 PCS

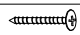


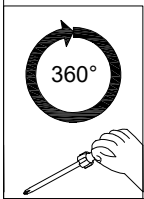
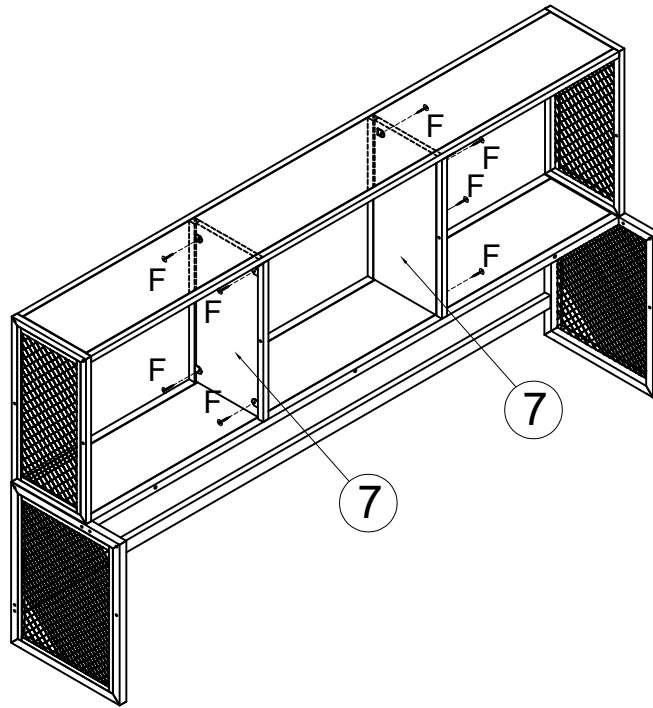
STEP 10

C	D
 M $\frac{1}{4}$ "x40	 M $\frac{1}{4}$ "x15
4 PCS	4 PCS




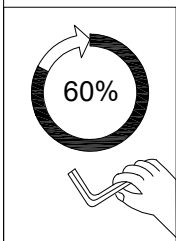
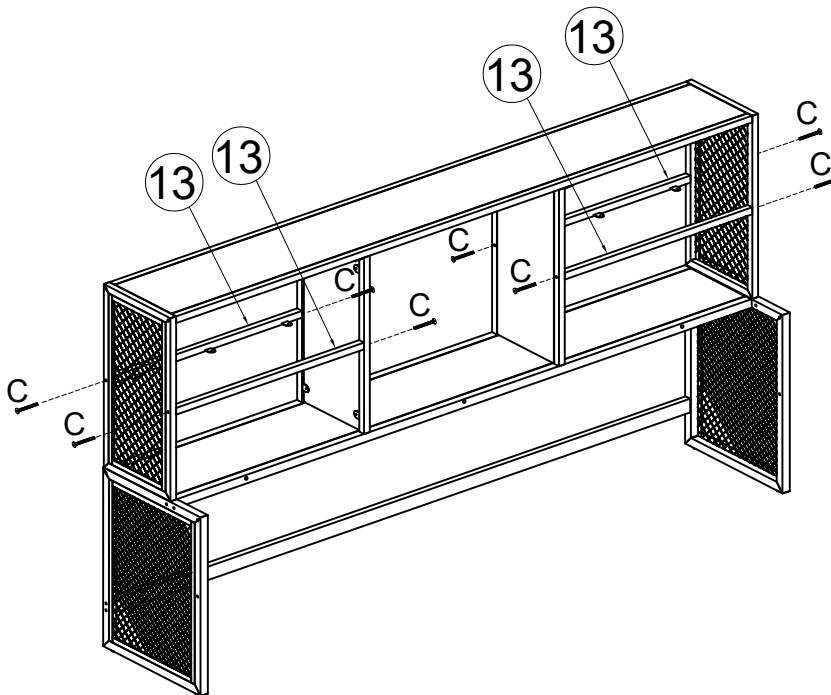
STEP 11

F
 M4x15
8 PCS

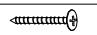


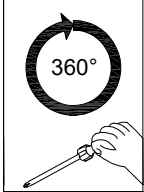
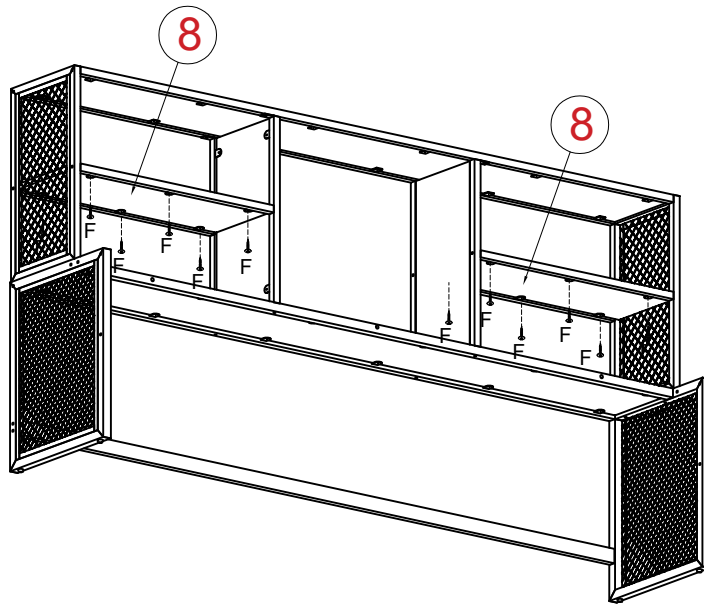
STEP 12

C
 M $\frac{1}{4}$ x40
8 PCS

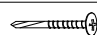


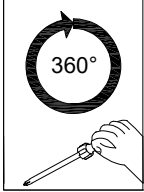
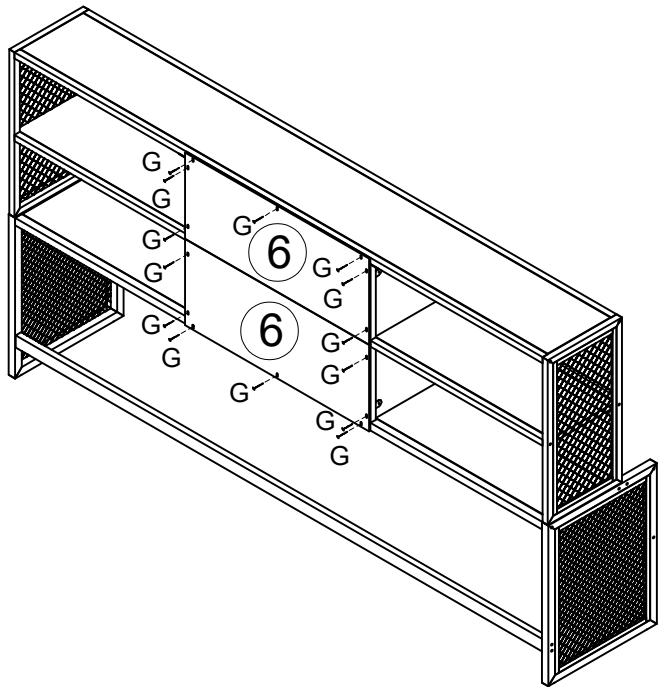
STEP 13

F
 M4x15
12 PCS

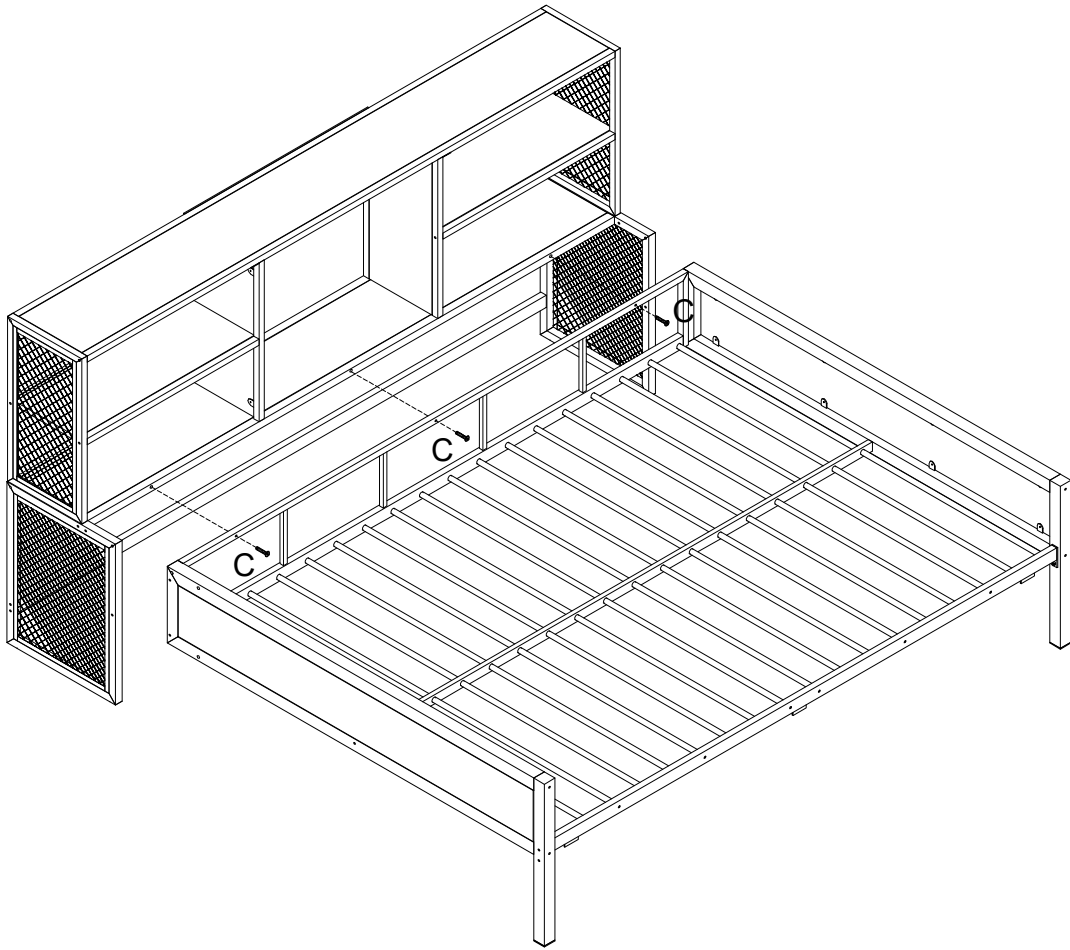



STEP 14

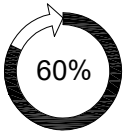
G
 M4x20
14PCS



STEP 15



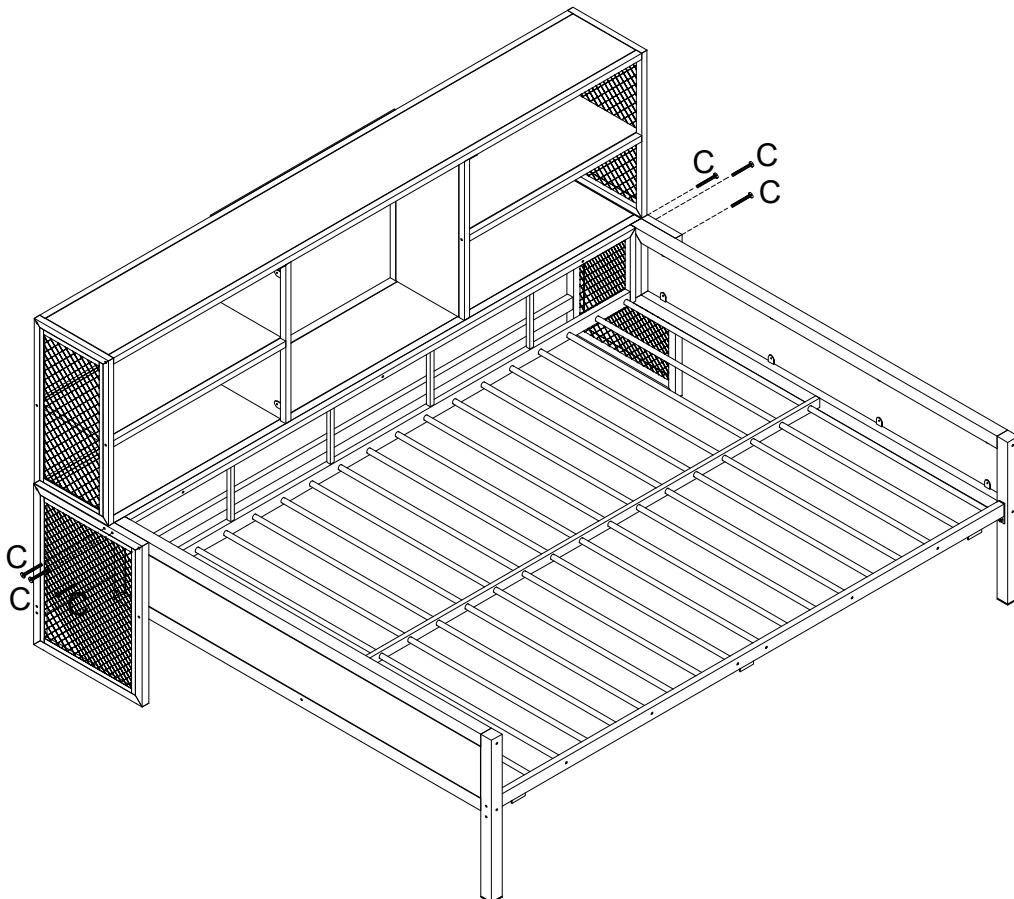
C

M $\frac{1}{4}$ x40
3 PCS




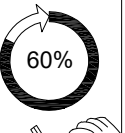
60%



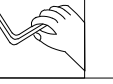
STEP 16



C

M $\frac{1}{4}$ x40
6 PCS



60%



STEP 17

