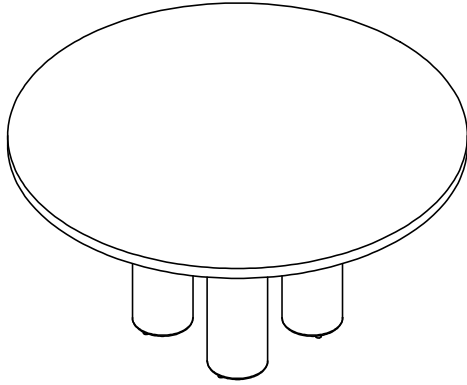
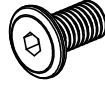
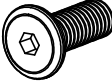

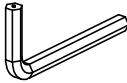


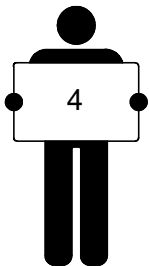
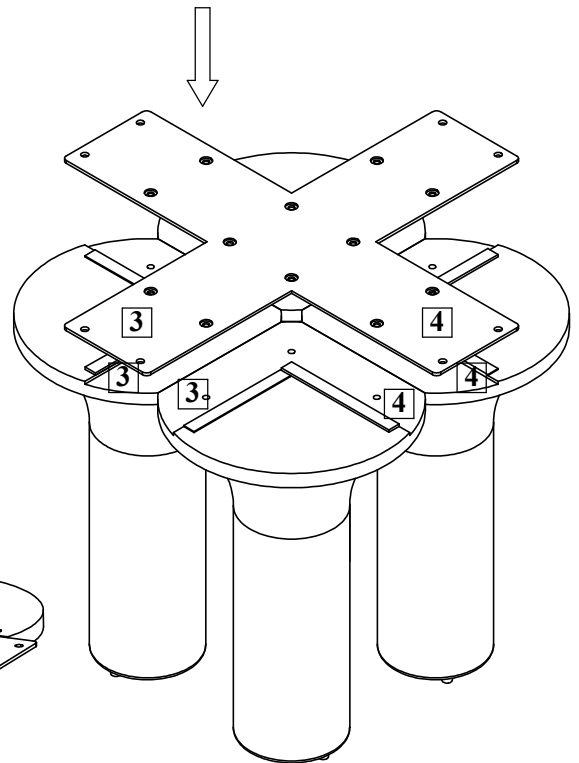
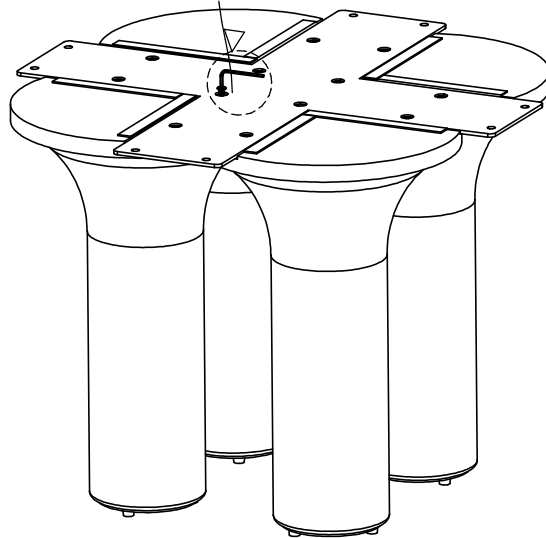
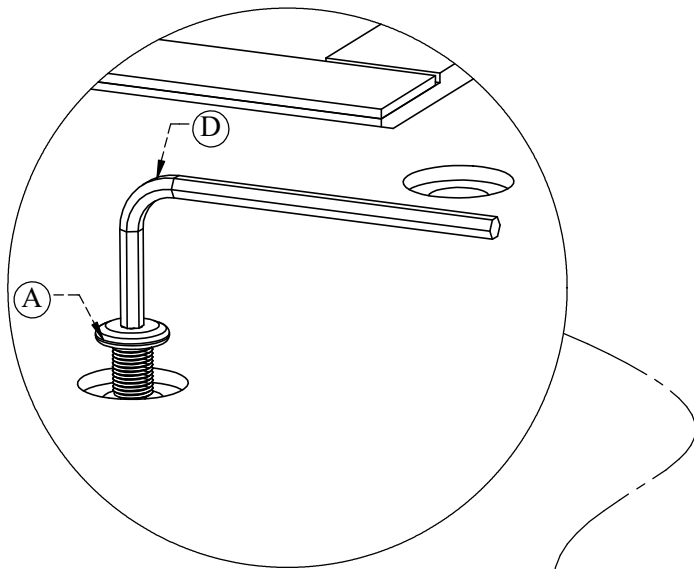
ASSEMBLY INSTRUCTION FOR ROUND DINING TABLE



Hardware List			
A		Hexagon Bolt M8x20	12 Pcs
B		Hexagon Bolt M8x25	8 Pcs
C		Washer M8	8 Pcs
D		Allen Key	1PC

1

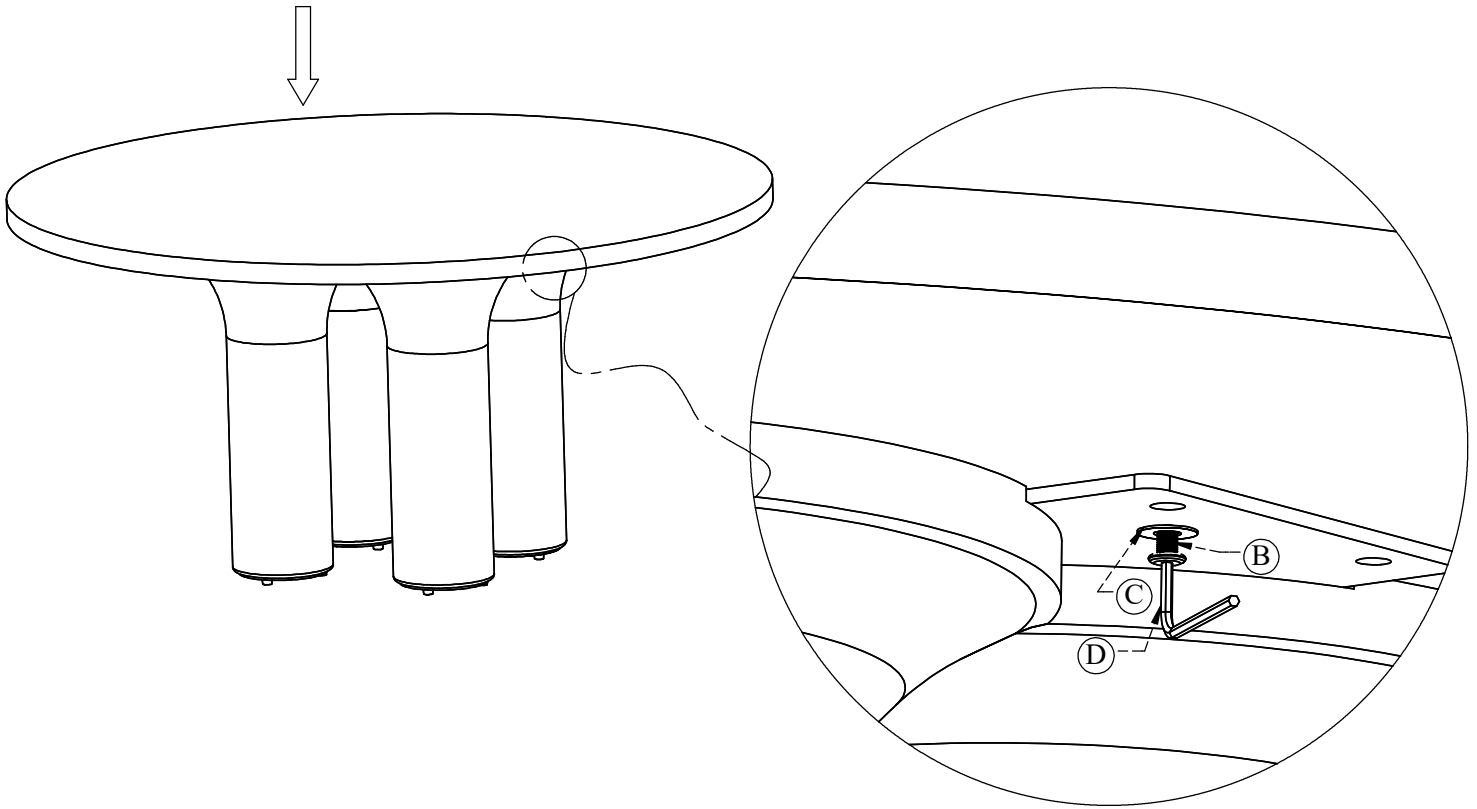
Put the base stand on the ground



After checking all bolts and make sure they are even, please tighten the bolts fully

ASSEMBLY INSTRUCTION FOR ROUND DINING TABLE

2



After checking all bolts and make sure they are even, please tighten the bolts fully

Adjusting Floor Levelers

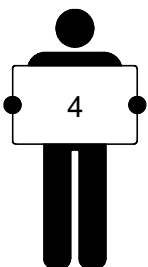
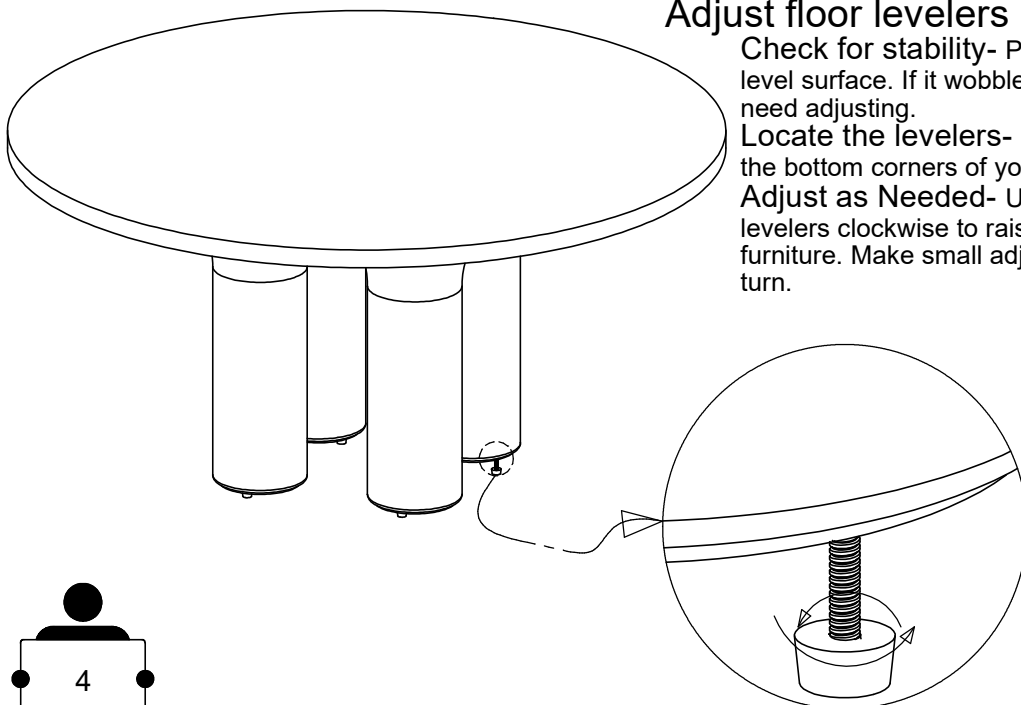
Your furniture has been expertly crafted and pre-adjusted by professionals. However, slight shifts can occur during transportation. If you notice that the doors are not perfectly aligned or the furniture wobbles, a quick adjustment can help ensure stability and a seamless look.

Adjust floor levelers

Check for stability- Place the furniture in its final position on a level surface. If it wobbles or doesn't sit evenly, the floor levelers need adjusting.

Locate the levelers- These are small adjustable feet found at the bottom corners of your furniture.

Adjust as Needed- Using your hand or a wrench, turn the levelers clockwise to raise or counterclockwise to lower the furniture. Make small adjustments and check stability after each turn.



Adjust leveler