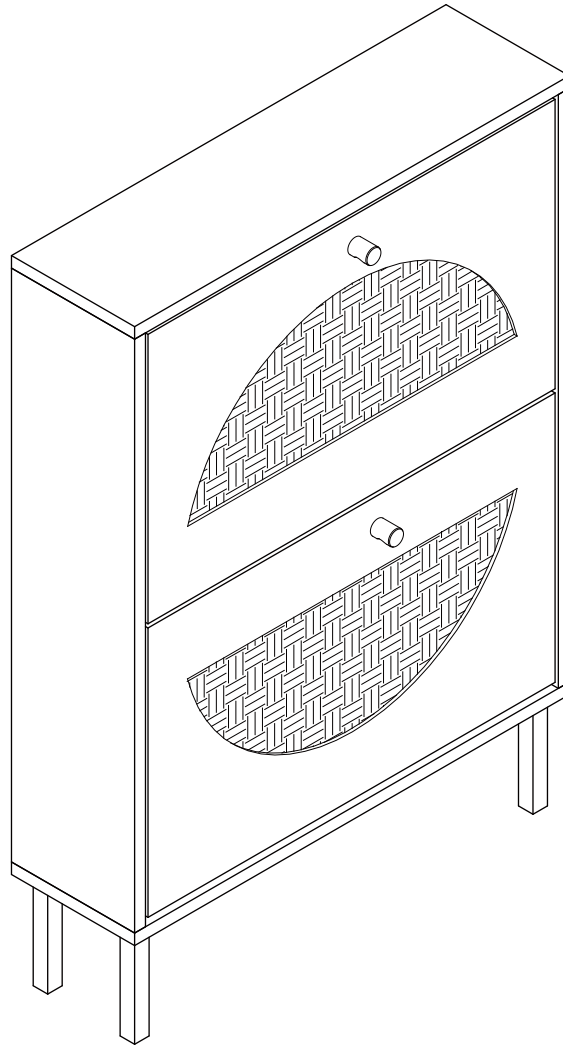


Installation Instruction



Two-door shoe cabinet

Assembling

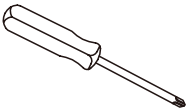
Estimated time for assembly



30 : 00

What you need

- Use the packaging carton as a working surface to prevent product damage during assembly
- Phillips head screwdriver



Weight Limitation



55

lbs table top

| 11

lbs per shelf



2 PERSONS

What's included

Code	Description	Qty
A	Cam Bolt M6X35MM	4
B	Cam Lock 15X12MM	4
C	Wooden Dowel M8X30MM	8
D	Screw M5X40MM	8
E	Allen Key	1
F	Bolt M6X12MM	12
G	Screw M3.5X14MM	20
H	Handle	2
I	Bolt M4X18MM	2
J	Inner Shaft	4
K	Stopper	4
L	Left Plastic Holder	2
M	External Shaft	4
N	Plastic corner support	8
O	Screw M3X14MM	8
P	Wall Plugs	2
Q	Screw M4X50MM	2
R	Right Plastic Holder	2
S	Screw M4X12MM	4
T	Supporting iron foot	4
V	Screw hole sticker	4

The Hardwares

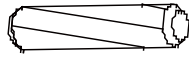
A



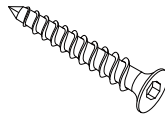
B



C



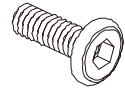
D



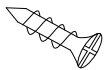
E



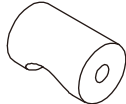
F



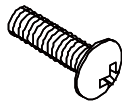
G



H



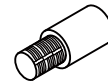
I



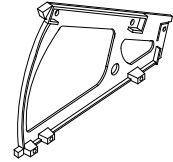
J



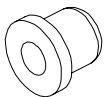
K



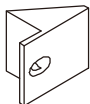
L



M



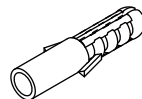
N



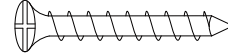
O



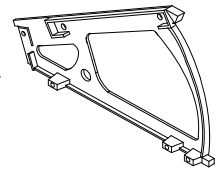
P



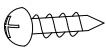
Q



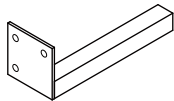
R



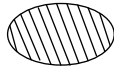
S



T



V



IMPORTANT:

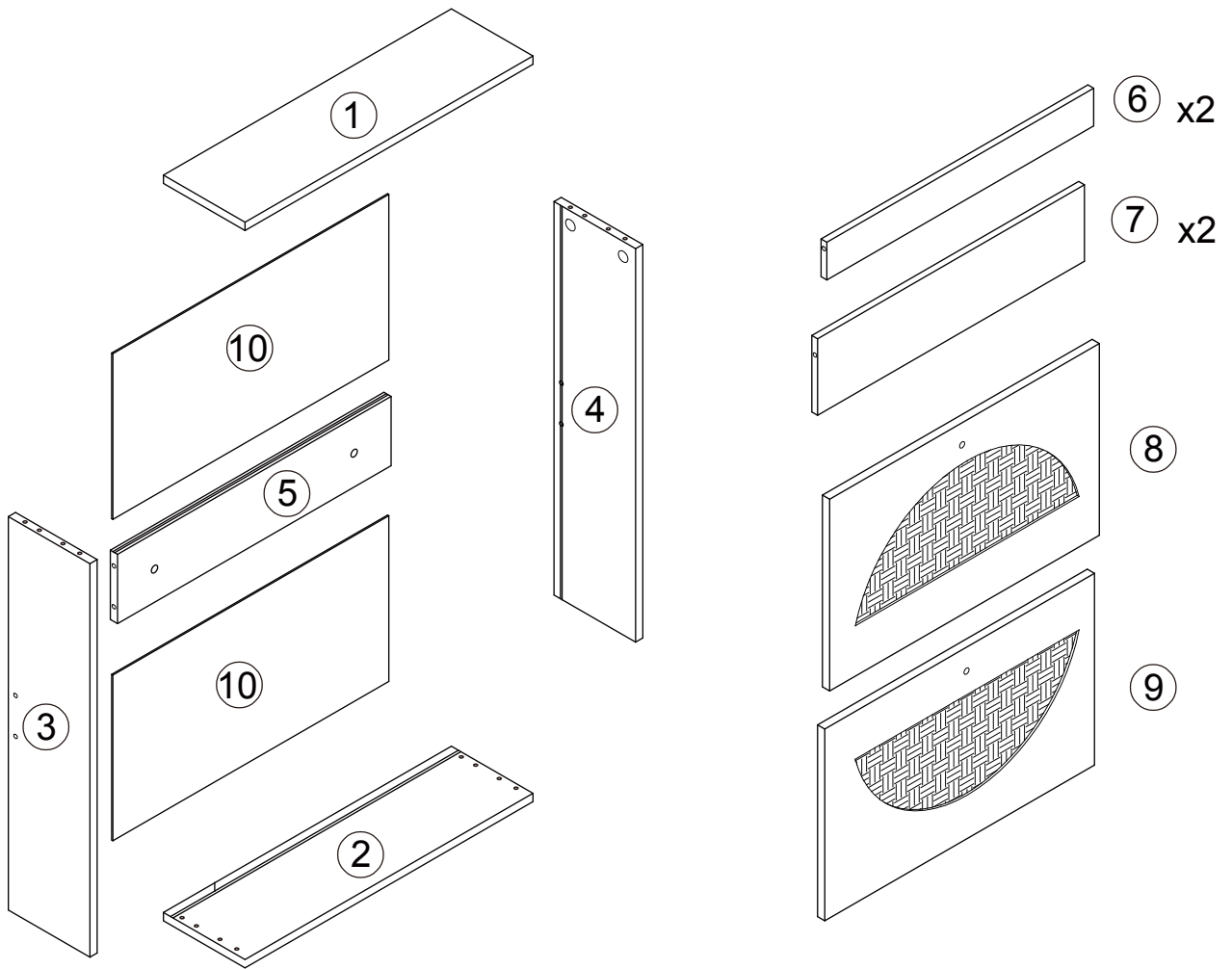
1. Do not tighten bolts / screws completely until all bolts / screws are lined up and inserted into holes.
2. Do not over tighten screws and bolts to avoid stripping.
3. Please use hand tools to assemble this product. Do not use power tools.
4. Must need 2 people to assemble this product.



2 PERSONS

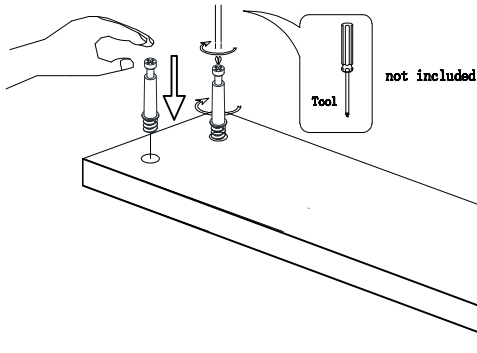
Included Accessories

Code	Description	Qty
1	Cabinet Top	1
2	Bottom Panel	1
3	Left Side Panel	1
4	Right Side Panel	1
5	Rear support bar	1
6	Small partition board	2
7	Large partition board	2
8	Upper door panel	1
9	Lower door panel	1
10	Back Panel	2

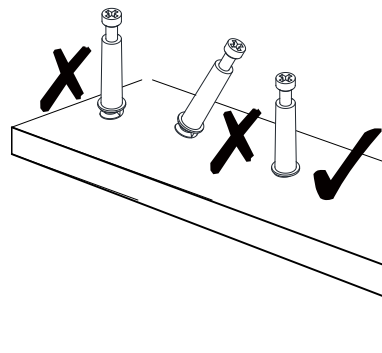


Noted :

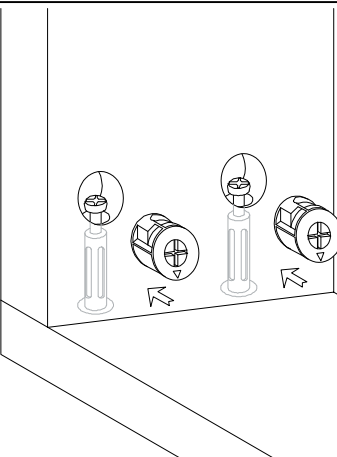
I



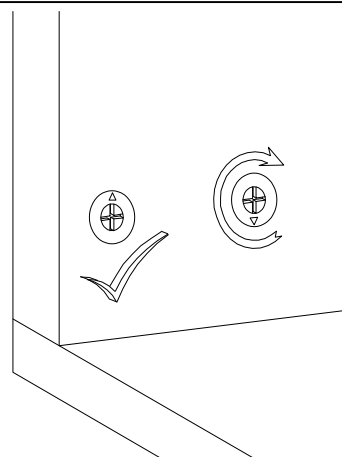
II



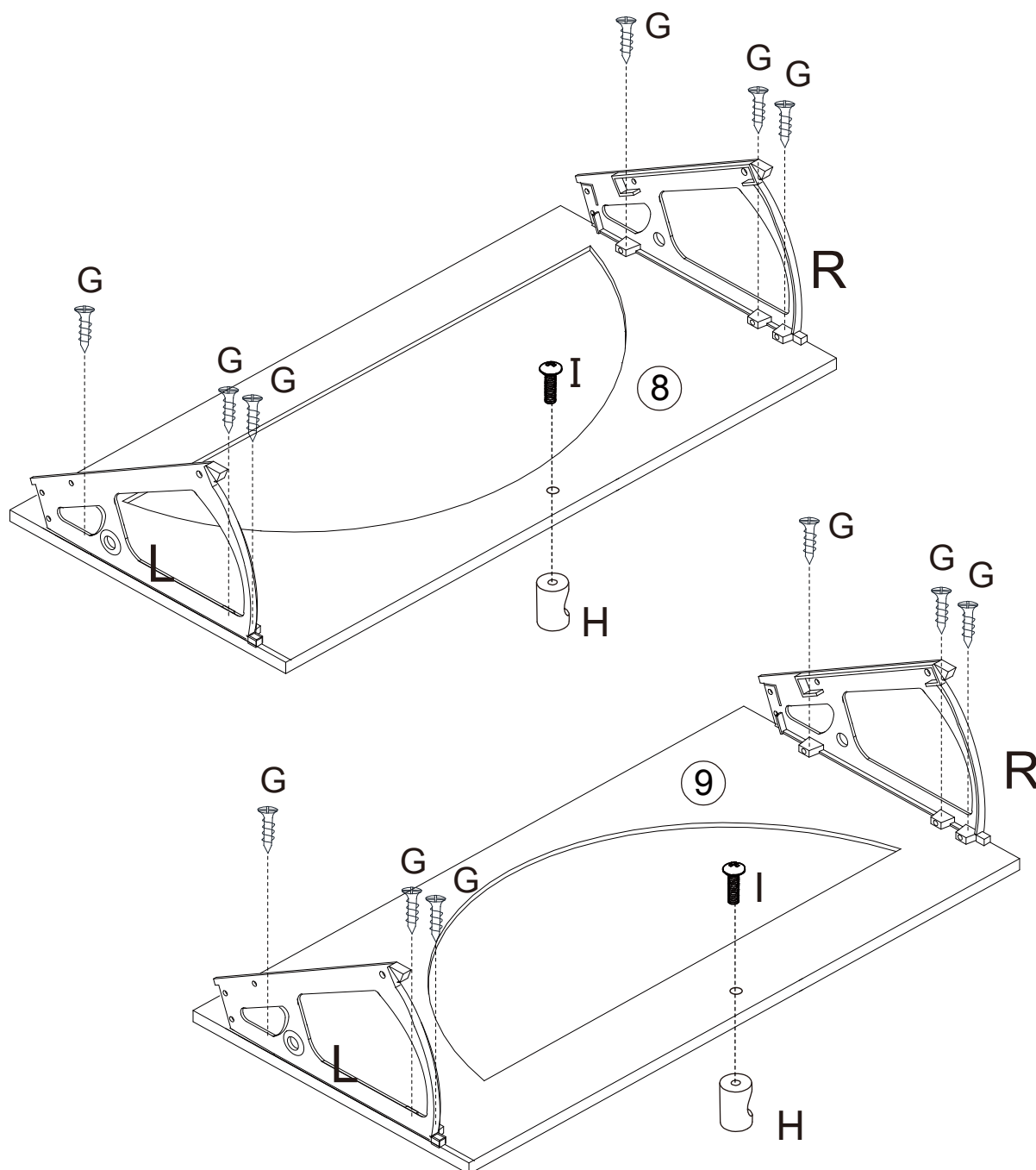
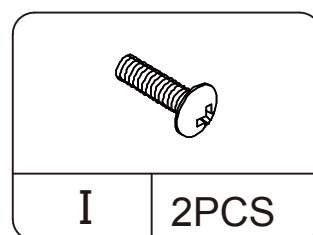
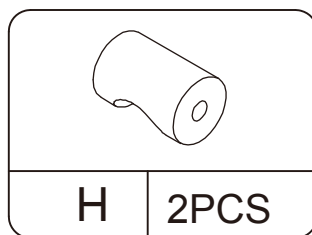
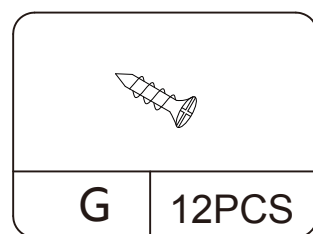
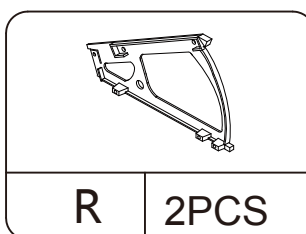
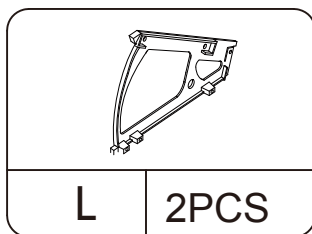
III



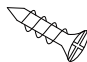
IV

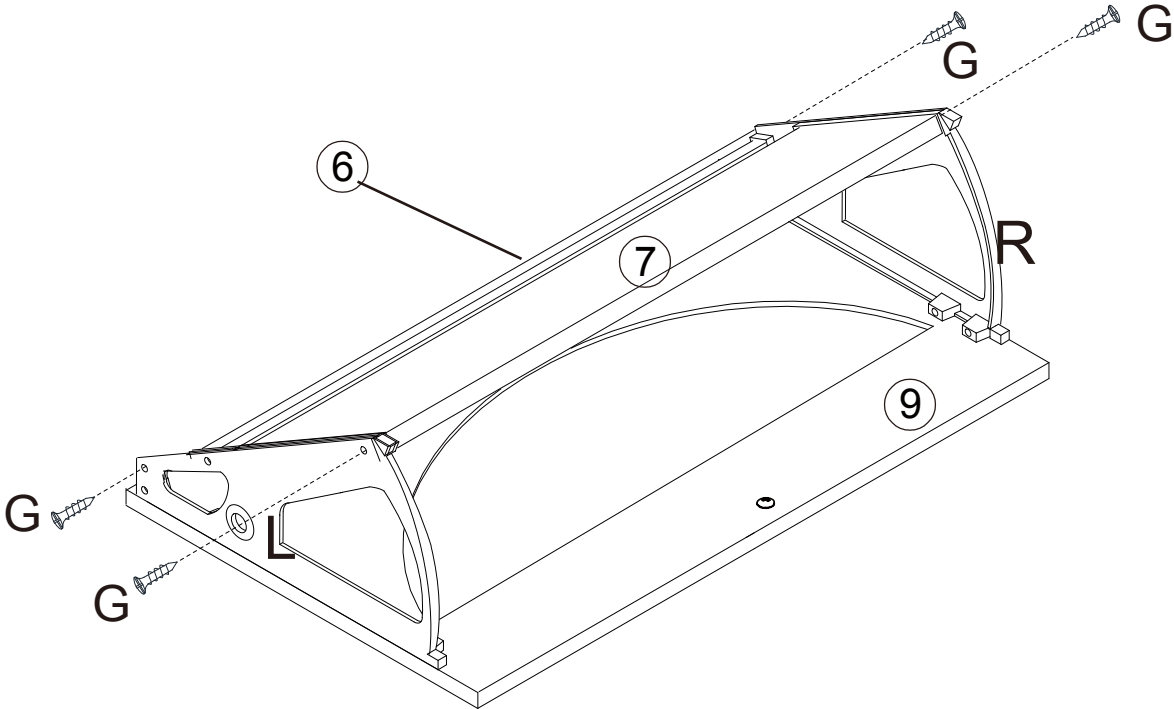
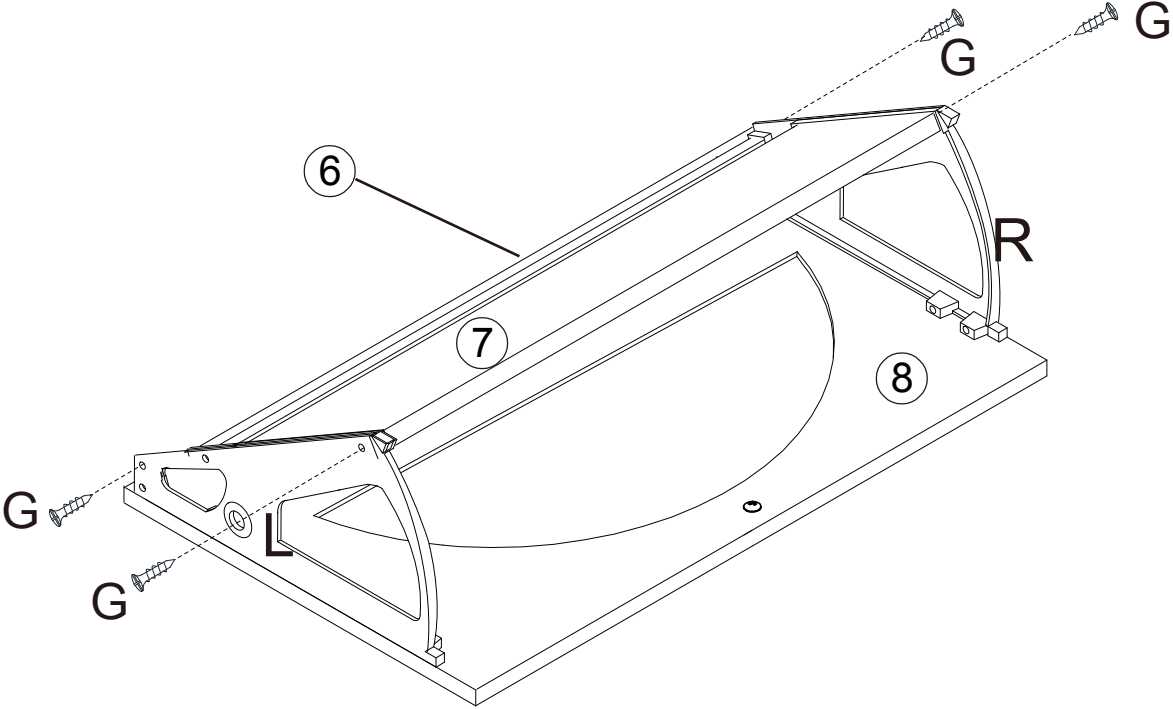


Step 1

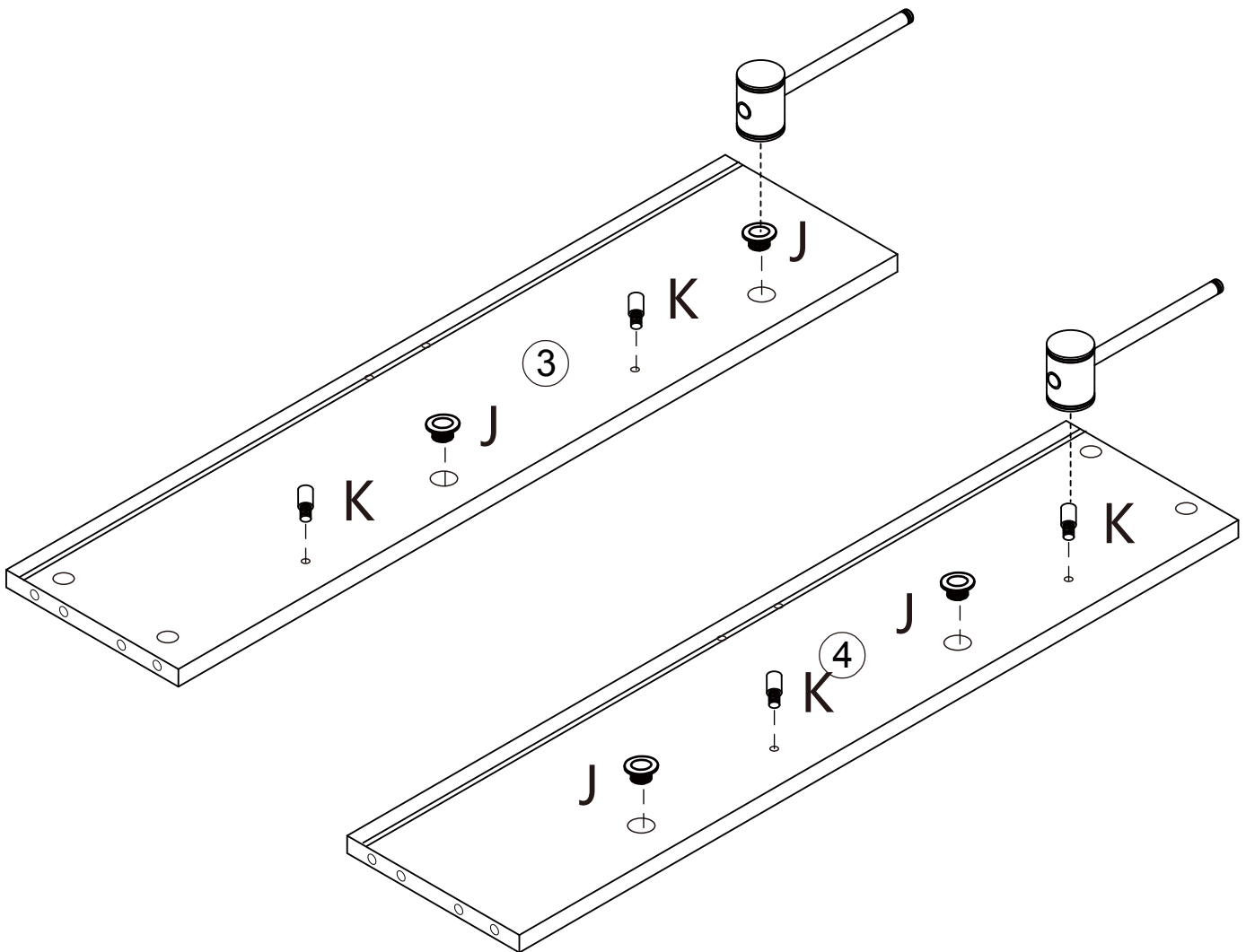
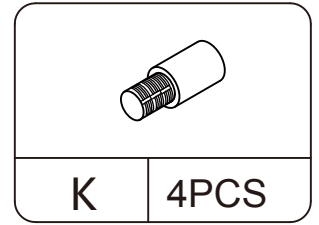
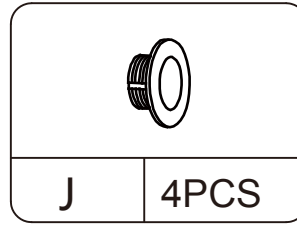


Step 2

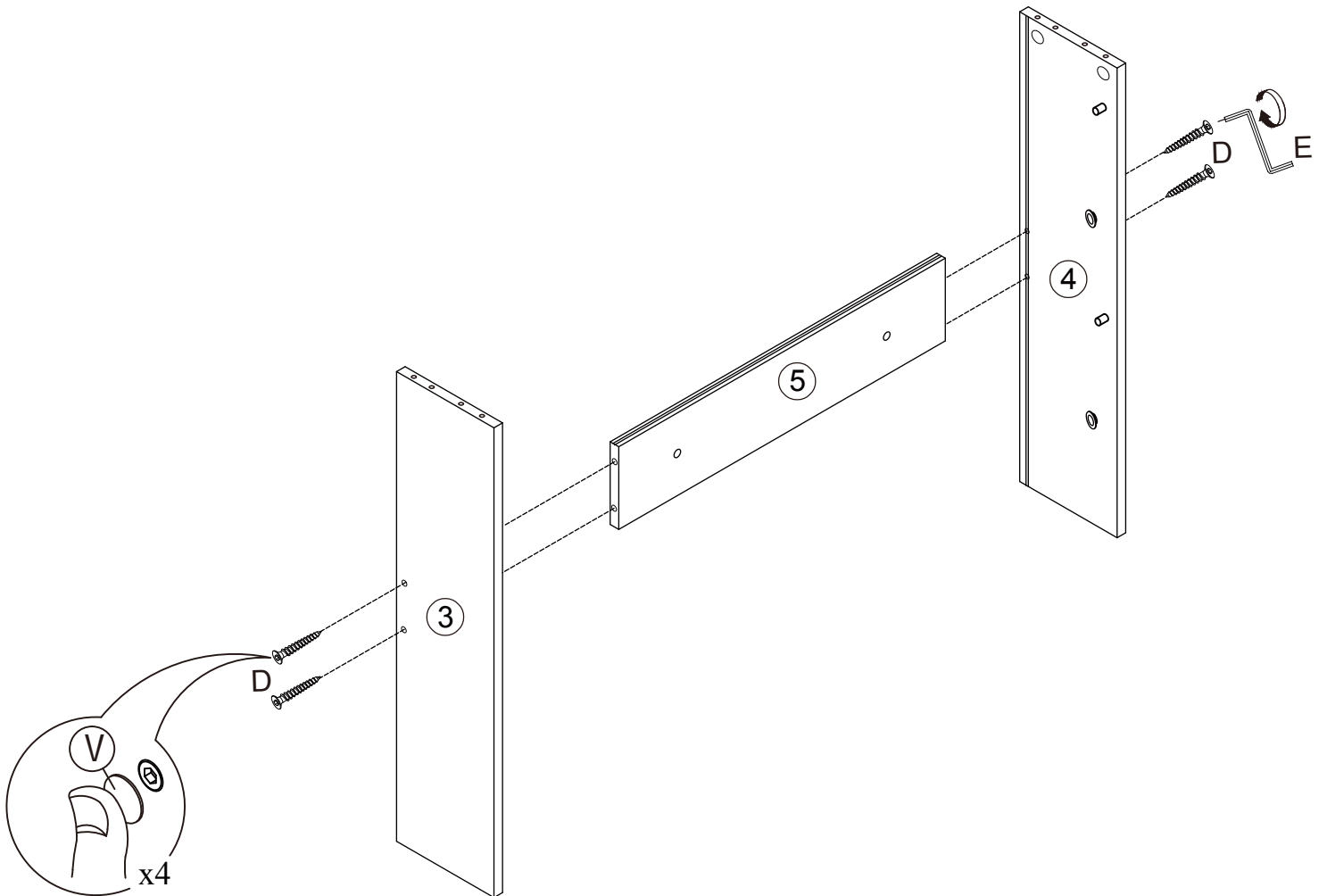
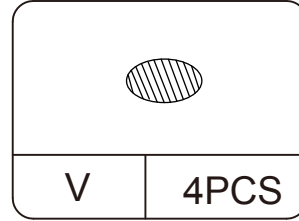
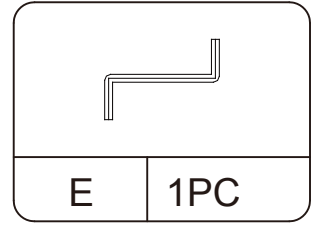
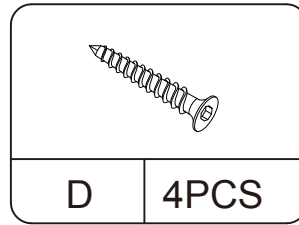
	
G	8PCS




Step 3




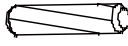
Step 4

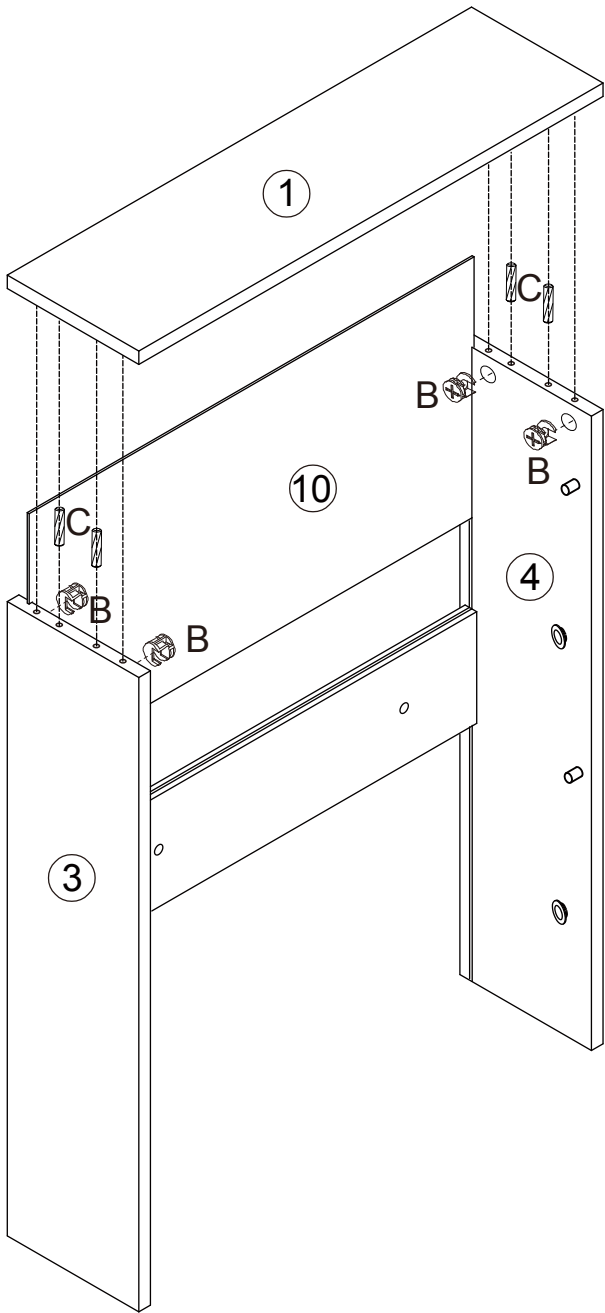
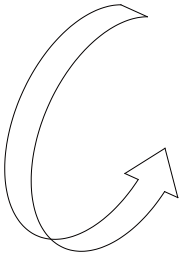
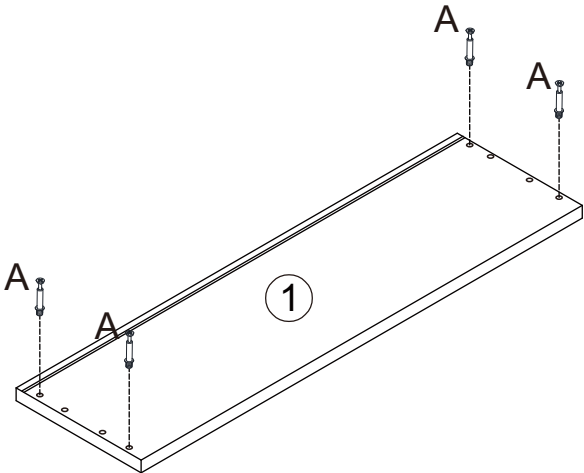


Step 5

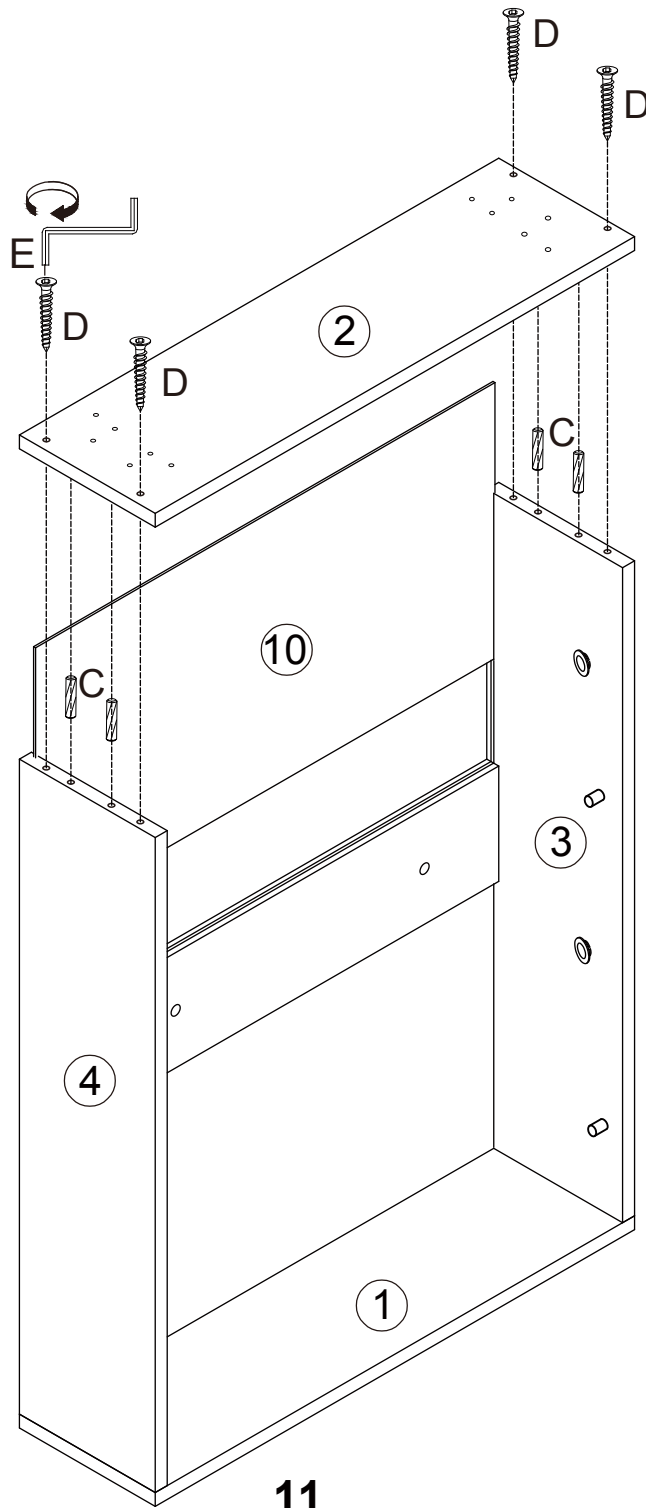
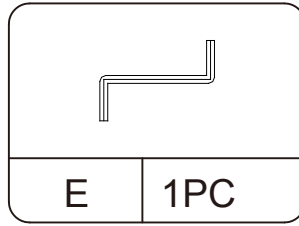
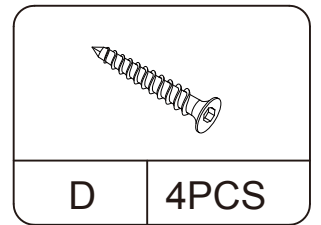
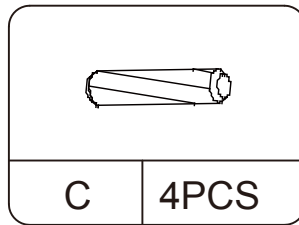
	
A	4PCS

	
B	4PCS

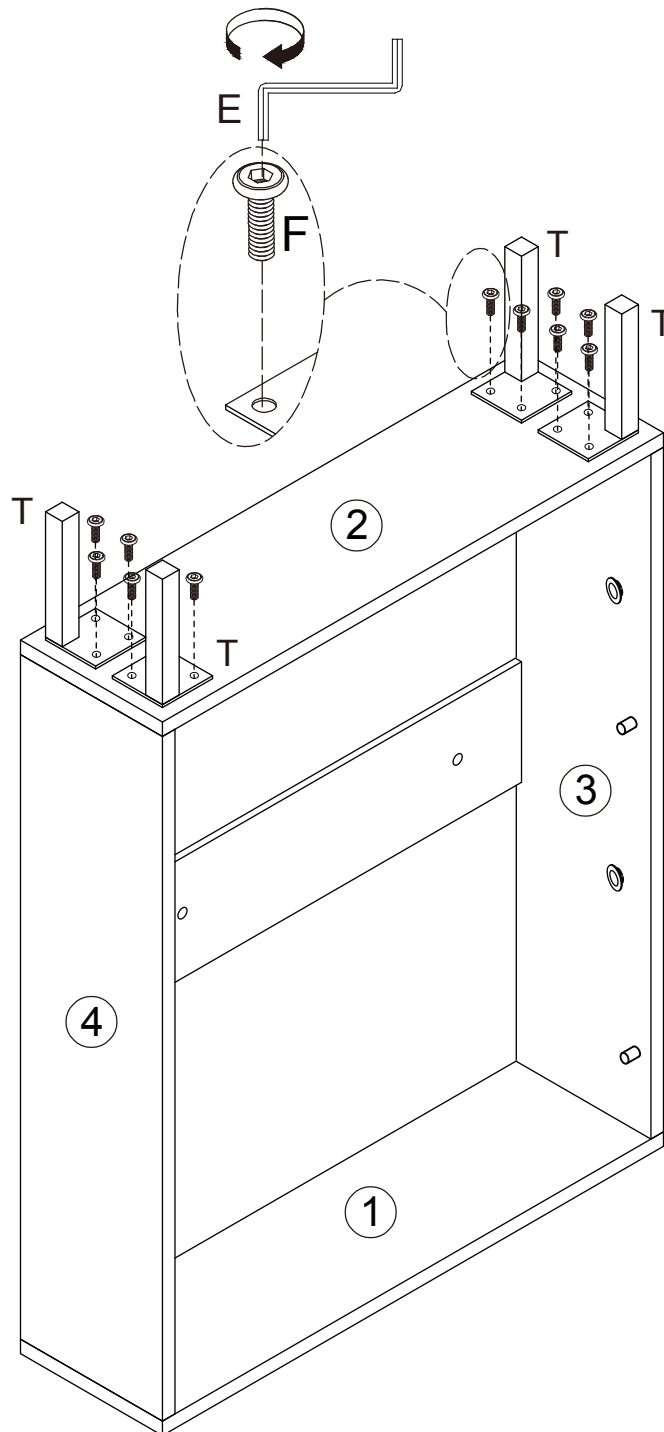
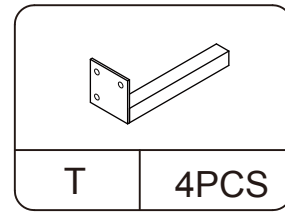
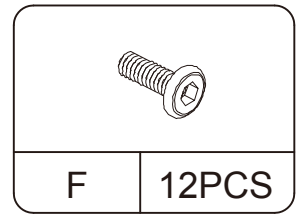
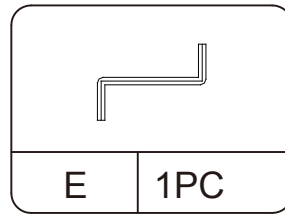
	
C	4PCS



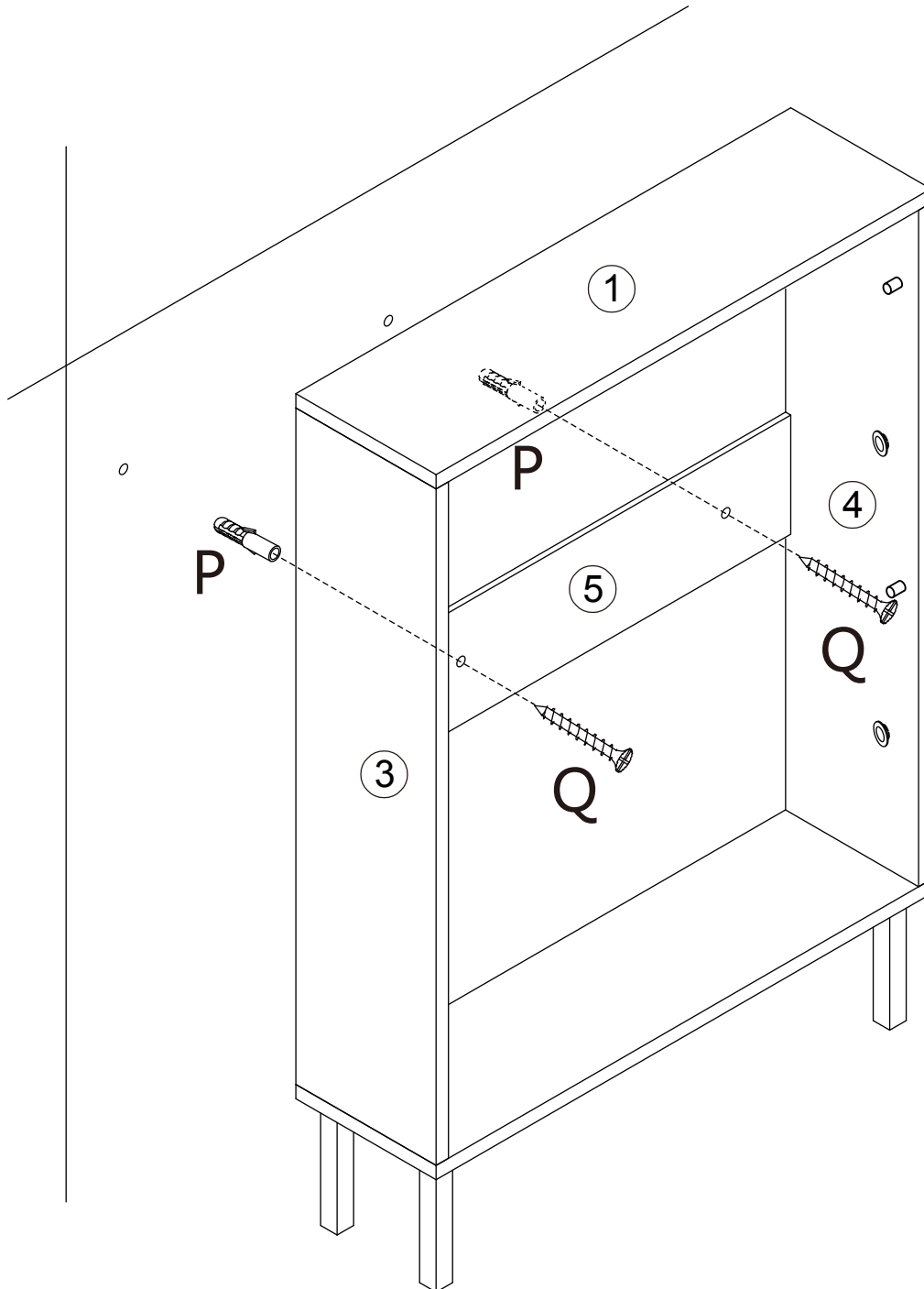
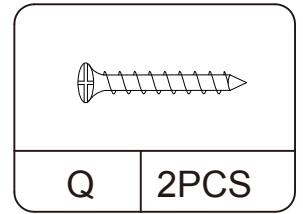
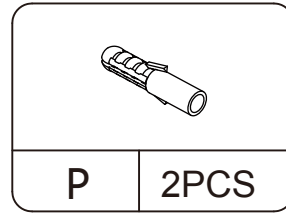
Step 6



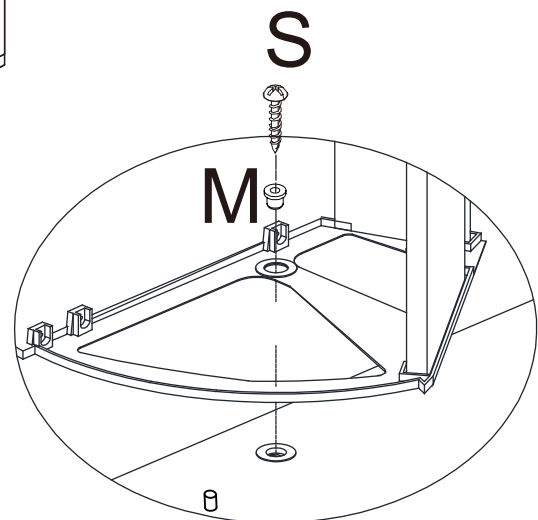
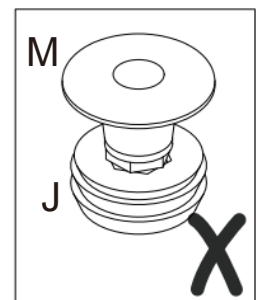
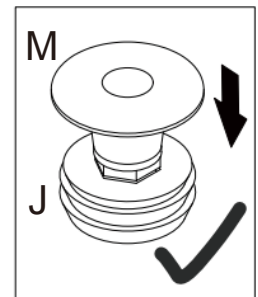
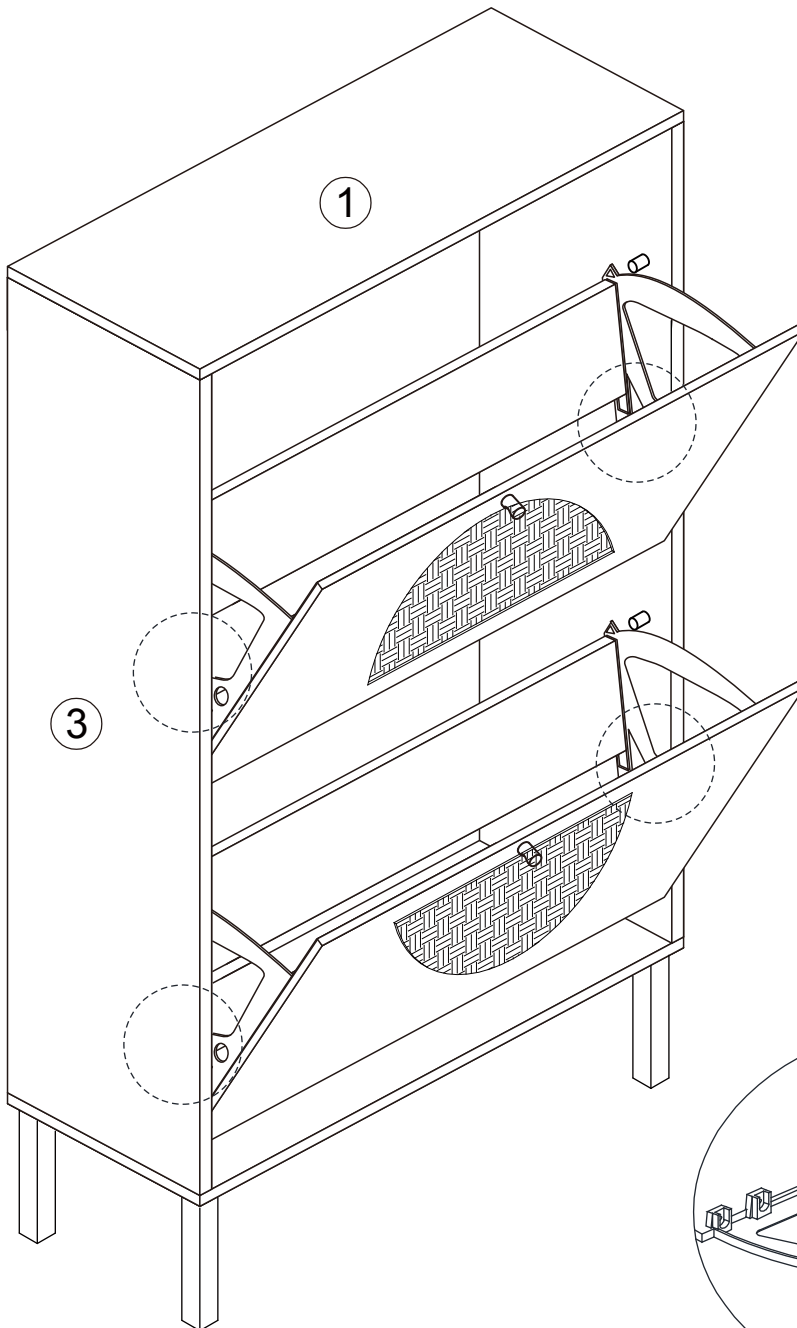
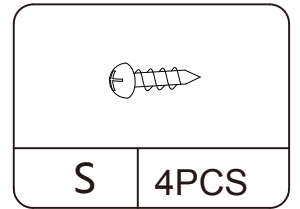
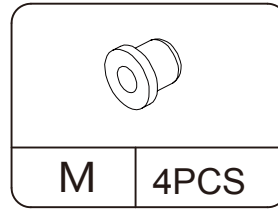
Step 7



Step 9



Step 10



Proper Use

- DO NOT** use for commercial purposes
- DO NOT** use as a step stool or stand on table
- DO NOT** put hot serving liquid directly on the table top
- DO NOT** leave spilled liquid on the table top
- DO NOT** use table if damaged
- DO NOT** exceed weight limit
- DO NOT** make temporary repairs
- DO NOT** use outdoor