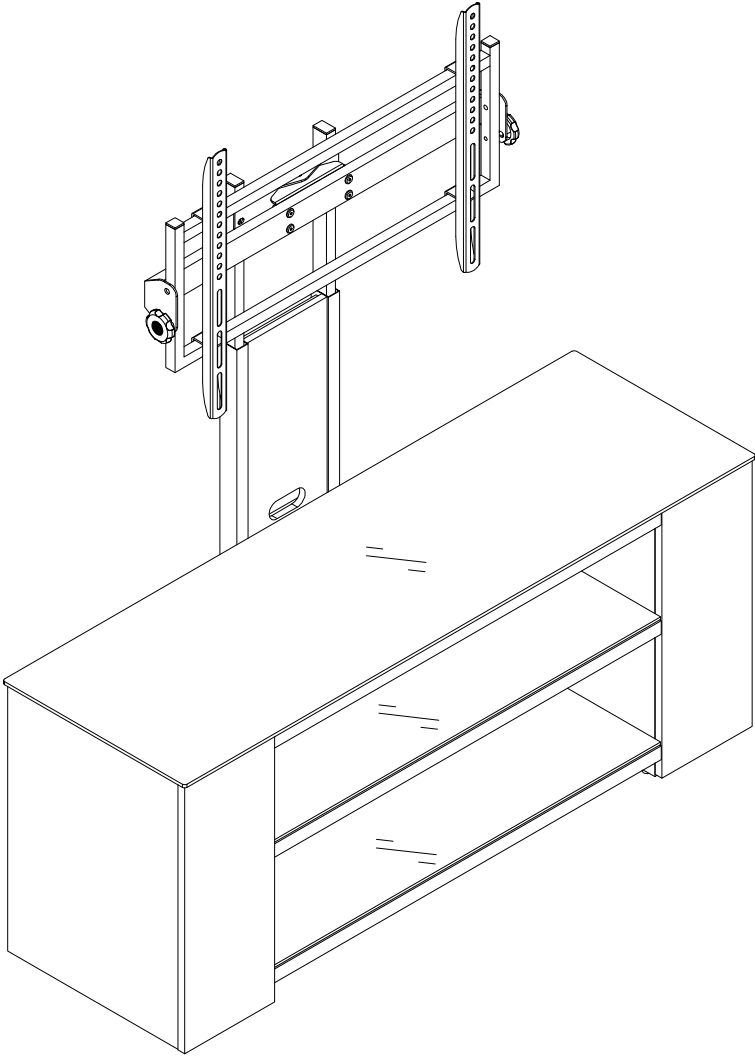









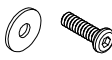



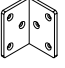
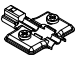
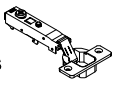
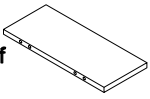


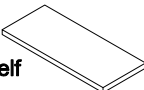
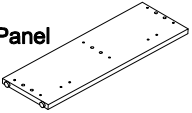
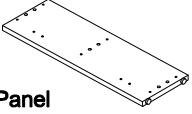

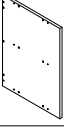


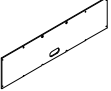
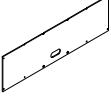
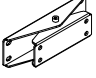
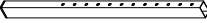


If you have any missing parts or questions please email or call. Please have your product model number available.



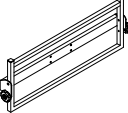
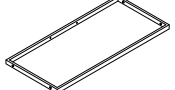
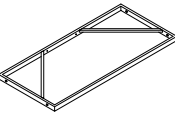
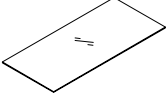
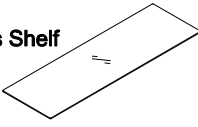
## PART LIST

NO.	DESCRIPTION	QTY
A	Cam lock Screw 	24
B	Cam lock 	24
C	Wood Dowel 	32
D	M6*18mm 	4
E	M6*25mm 	12
F	M6*32mm 	4
G	M6*55mm 	6
H		10
I	M4 	8
J	M6*18mm 	4 Set
K	M3.5*14mm 	32
L	M4*50mm 	12
M	Vinyl Bumper 	20
N	Door Bumper 	6
O	Velcro Strip 	4
P		2
Q	Steel Enforcer 	4
R	Mounting Plate 	4
S	Soft -Close Clip On Hinges 	4
Tool		1
T	Right Wood Shelf 	3






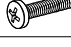






## PART LIST

NO.	DESCRIPTION	QTY
U	left Wood Shelf 	3
V	Right Back Panel 	1
W	Left Back Panel 	1
X	Right Side Panel 	1
Y	Left Side Panel 	1
Z	Door Side Panel 	2
AA	Door Front Panel 	2
AB	Top Back Panel 	1
AC	Bottom Back Panel 	1
AD		1
AE		2
AF		2
AG		1

## PART LIST

NO.	DESCRIPTION	QTY
AH		1
AI		1
AJ		2
AK	Glass Shelf 	2
AL	Top Glass Shelf 	1

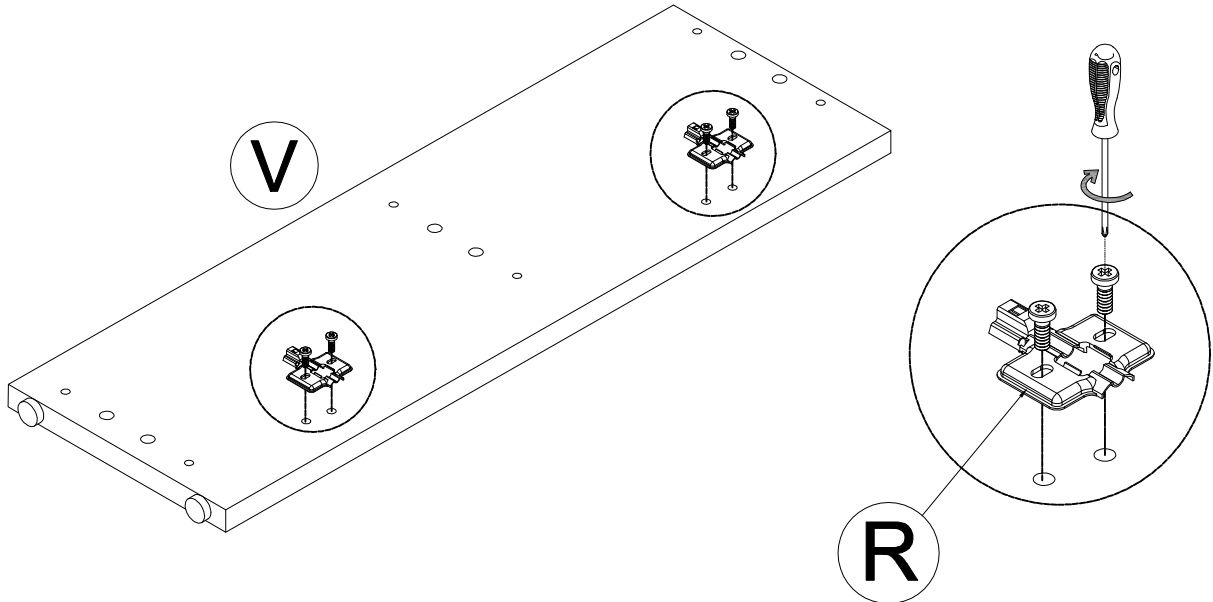
## TV Mounting Hardware

NO.	DESCRIPTION	QTY
S1	 M6x12mm	4
S2	 M8x12mm	4
S3	 M5x32mm	4
S4	 M6x32mm	4
S5	 M8x32mm	4
S6	 M8x51mm	4
S7	 Ø19xØ6.2	4
S8	 Ø22xØ8.2	4
S9	 Ø14x14mm	4
S10	 Ø17.5x21.2mm	4
S11	 Ø25x13mm	4
S12	 Ø25x2mm	4

## STEP 1

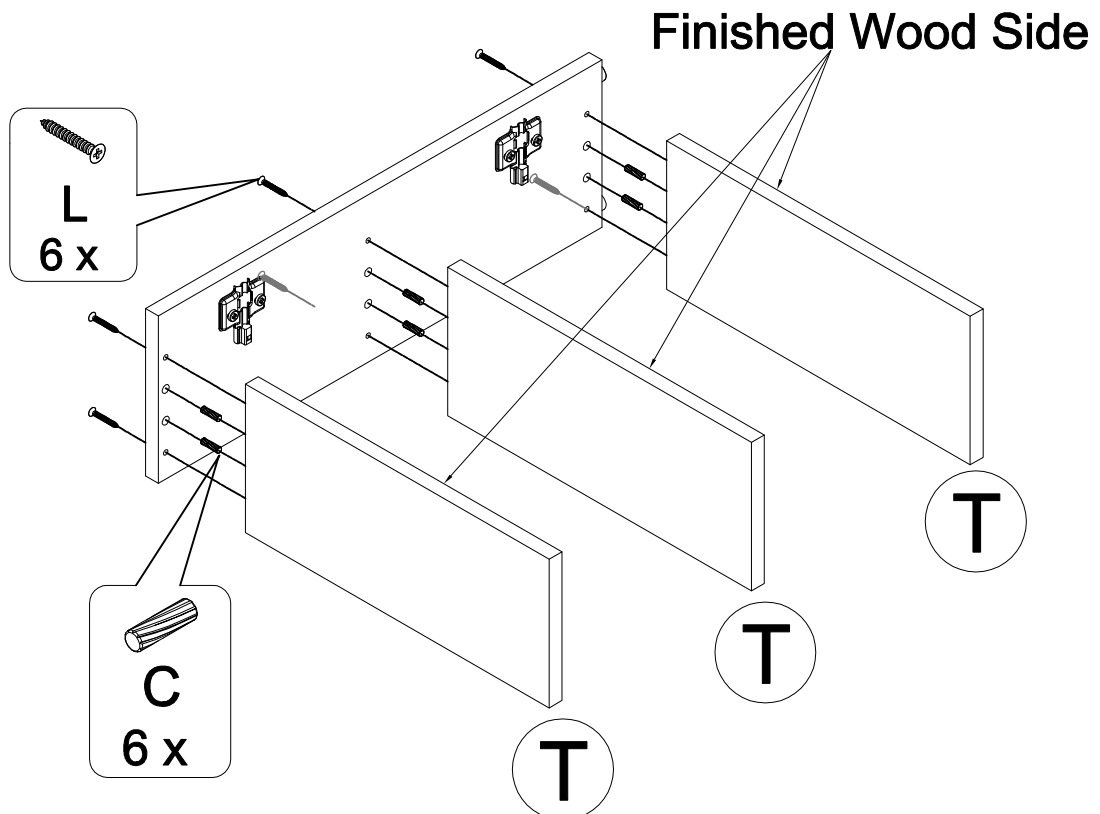
1.1

- \* Install the mounting plate (Part R ) on the right back panel (Part V )



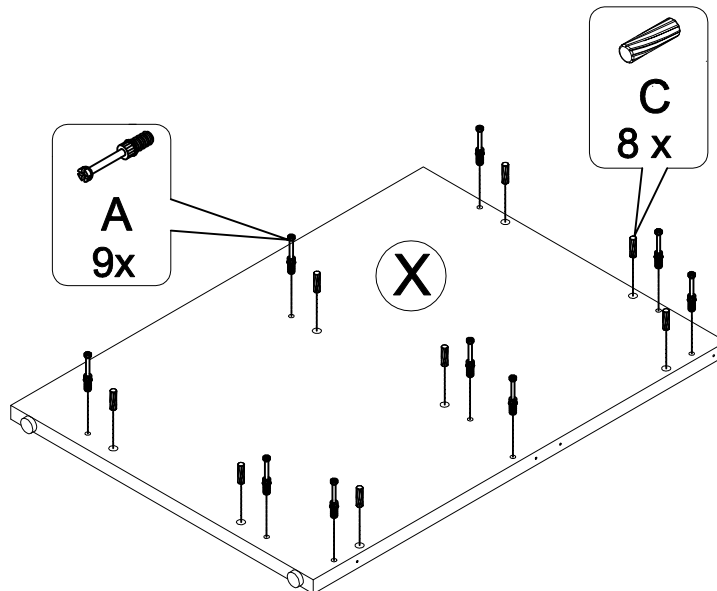
1.2

- \* Insert wood dowels into the right back panel,
- \* Install wood shelves (Part T ) and ensure the finished wood side is on top as shown.
- \* Align the shelves and tighten the screws.



## 1.3

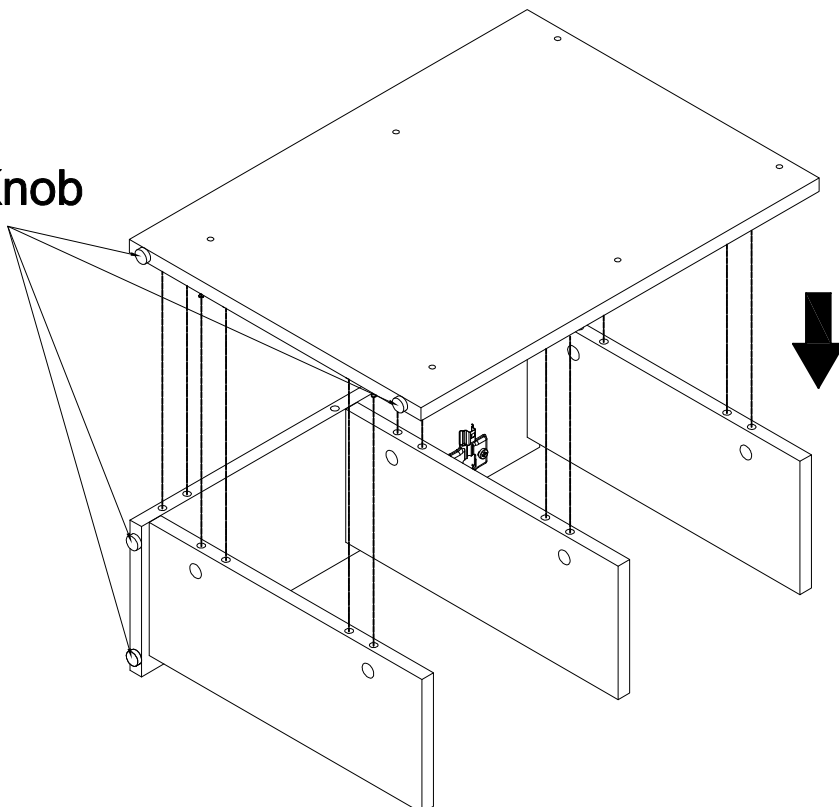
- \* Insert wood dowels into the right side panel (Part X )
- \* Install cam lock screws as shown.
- \*\*\* Do not over tighten the screws, it 's not recommended to use a screw driver to tighten it if you don't have to.  
An over tightened screw (Part A ) will prevent the cam lock to install properly.



## 1.4

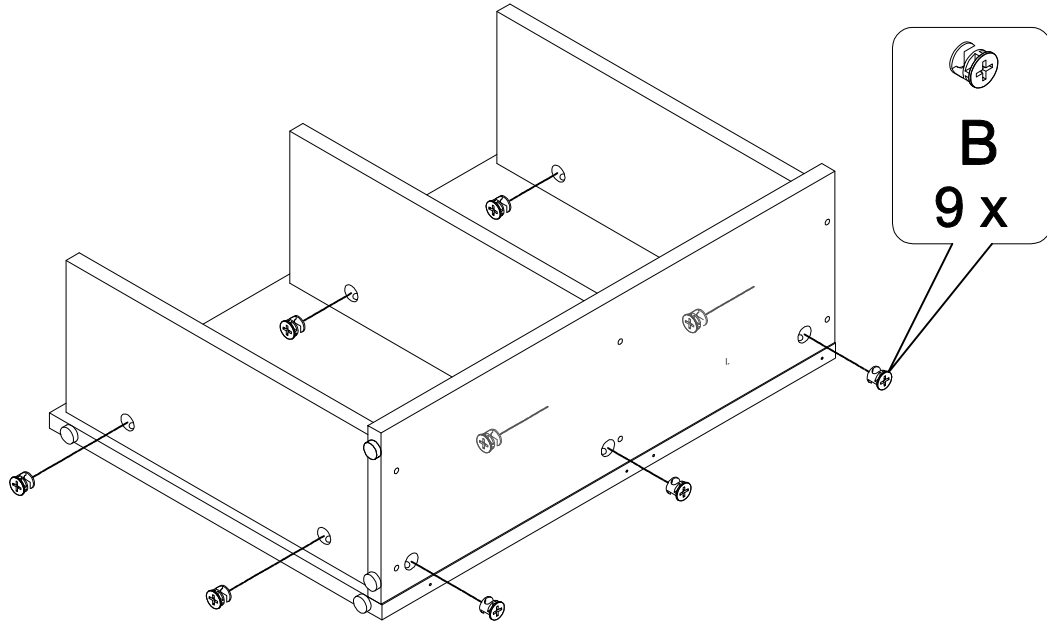
- \* Join the side panel with wood shelves as shown and ensure the plastic knobs are on the same side

Plastic Knob



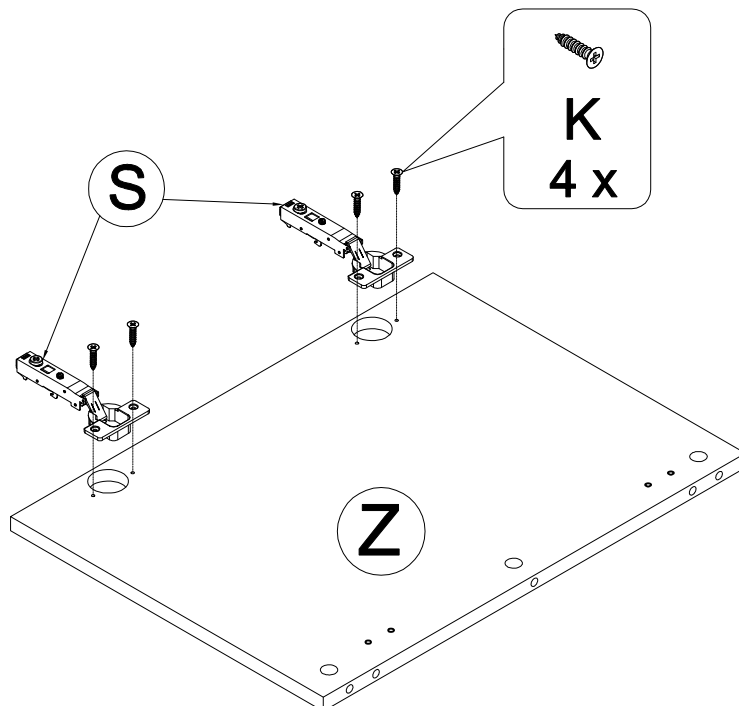
**1.5**

\* Insert the cam locks into the wood panels and turn 210 degree with a flathead screw driver (Not Included ) to lock.



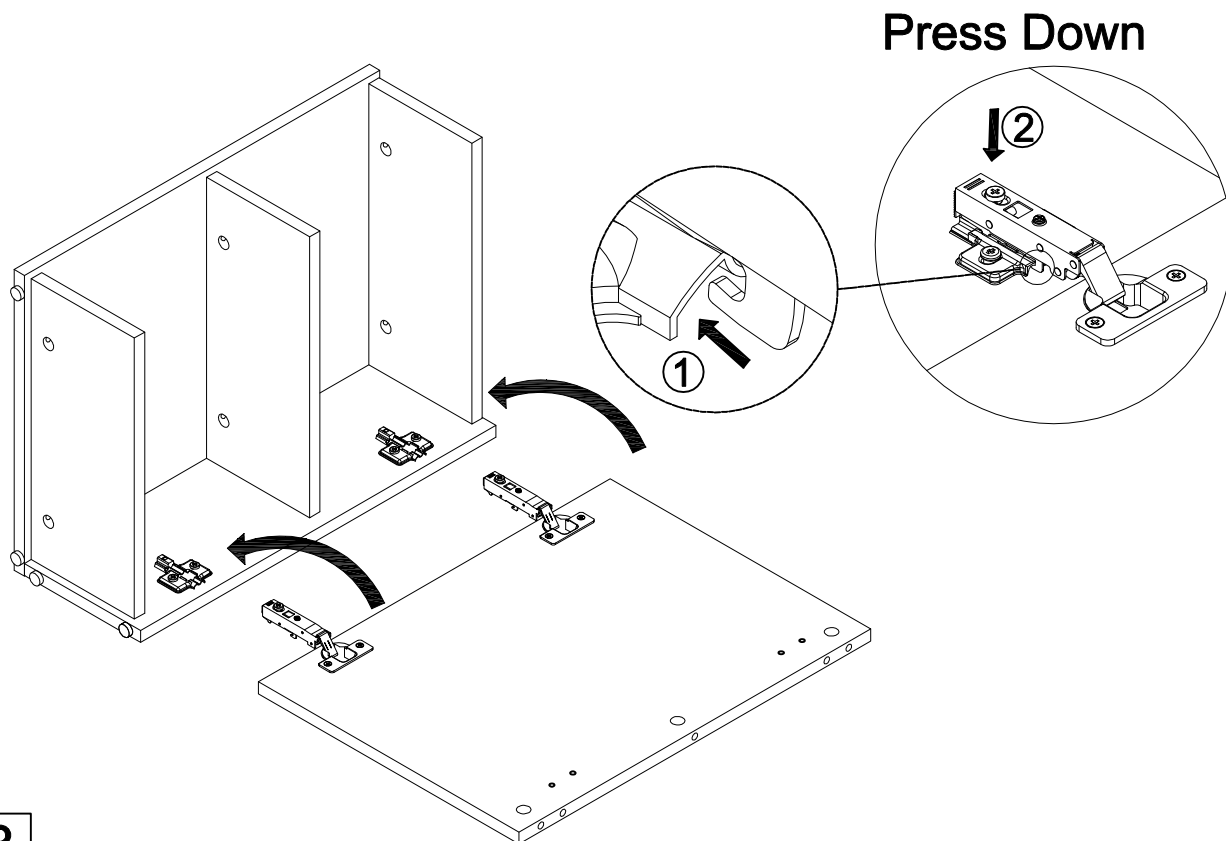
**1.6**

\* Install the soft -close clip on hinges (Part S) on the door panel (Part Z )as shown.



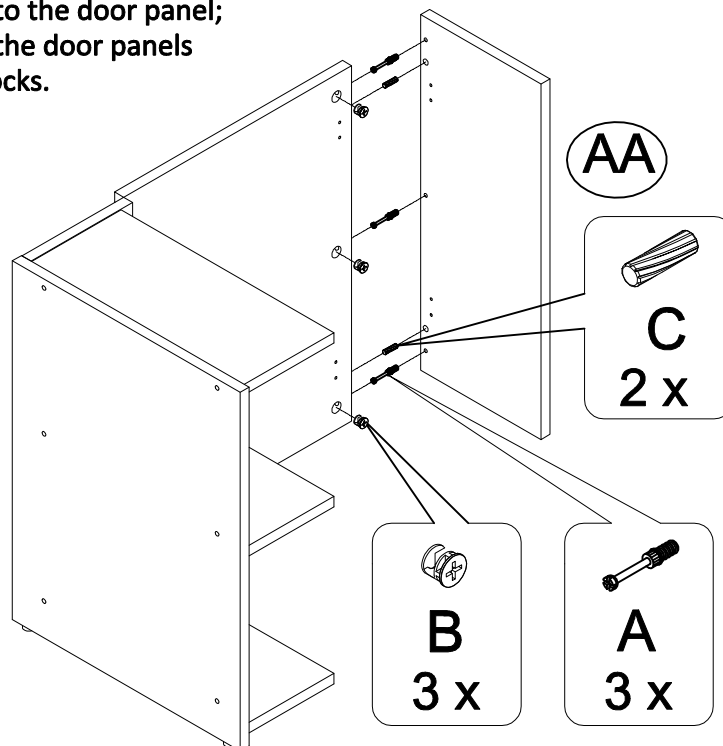
# 1.7

- \* Hood up the hinges as shown.
- Match the latch with the mounting plate then press the hinge down.



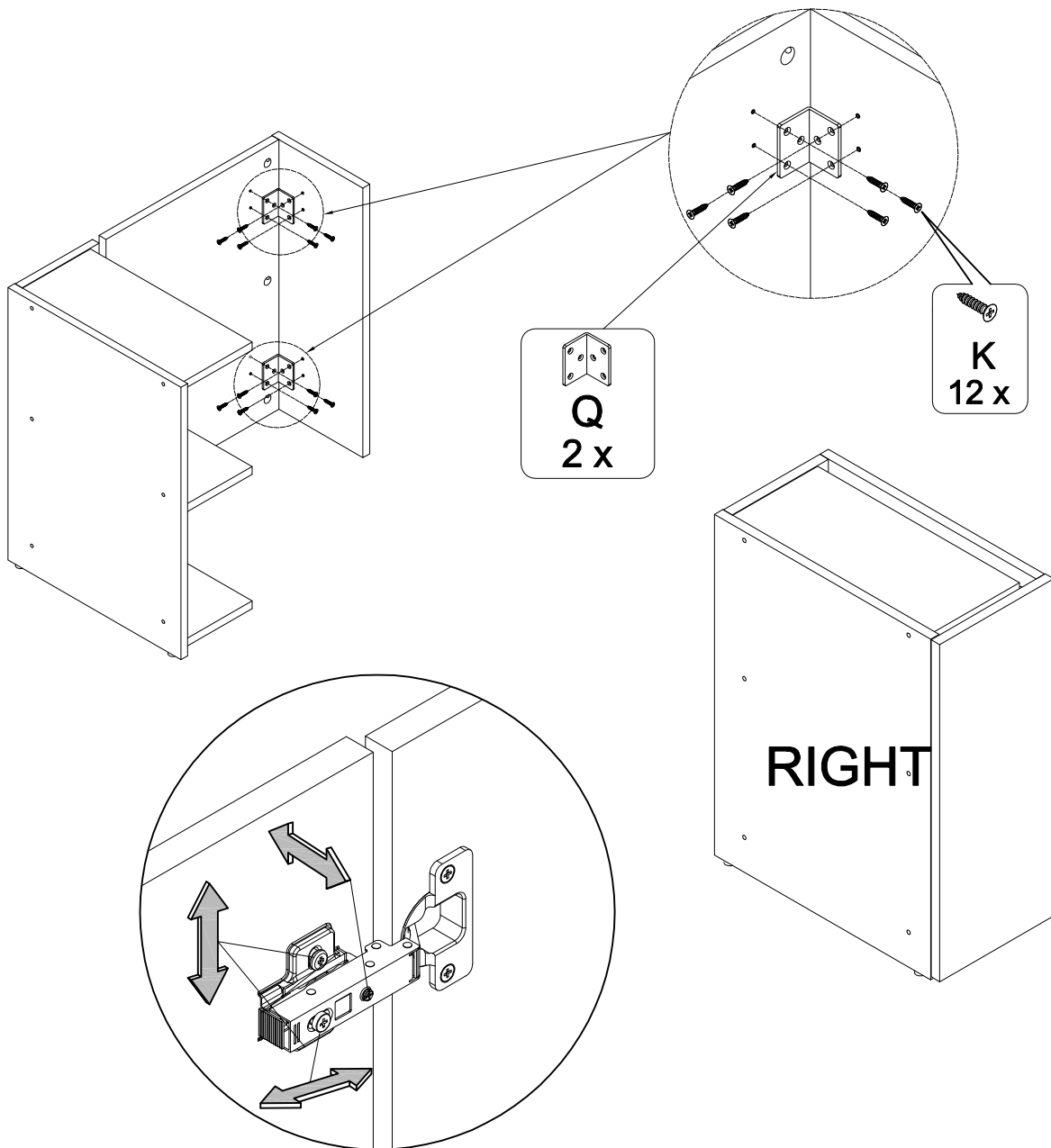
# 1.8

- \* Install the door front panel as shown.
- Install cam lock screws and dowels into the front panel;
- Insert cam locks into the door panel;
- Connect and align the door panels and lock the cam locks.



# 1.9

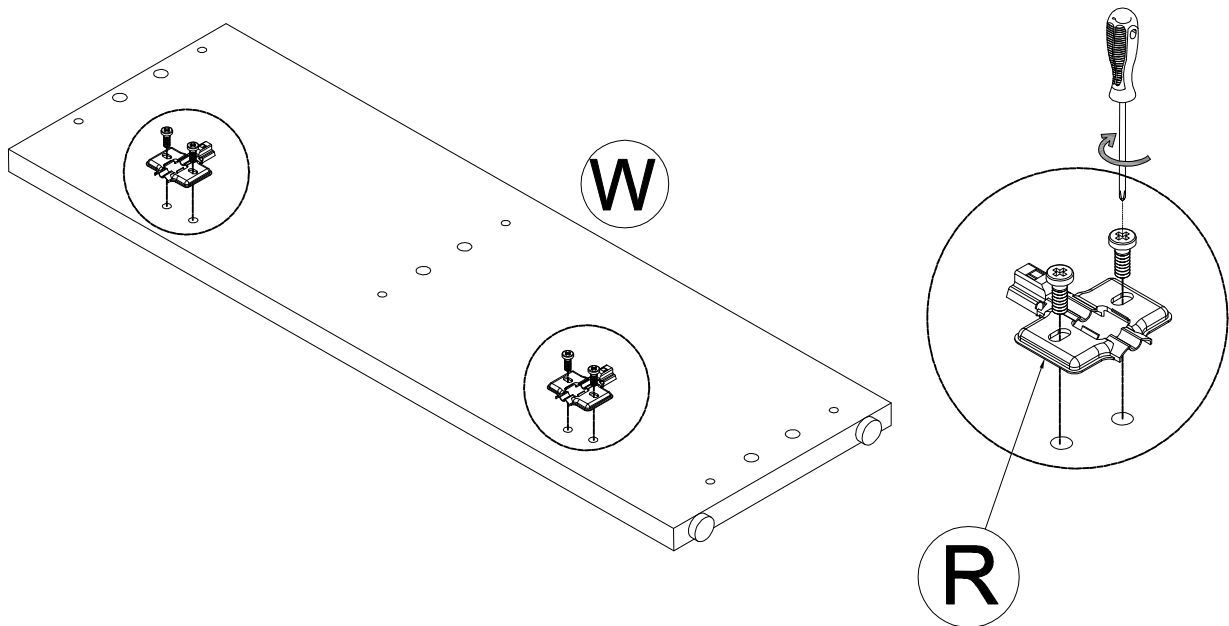
- \* Install the steel enforcer(Part Q) as shown.
- Adjust the hinges to align the door if necessary.



## STEP 2

2.1

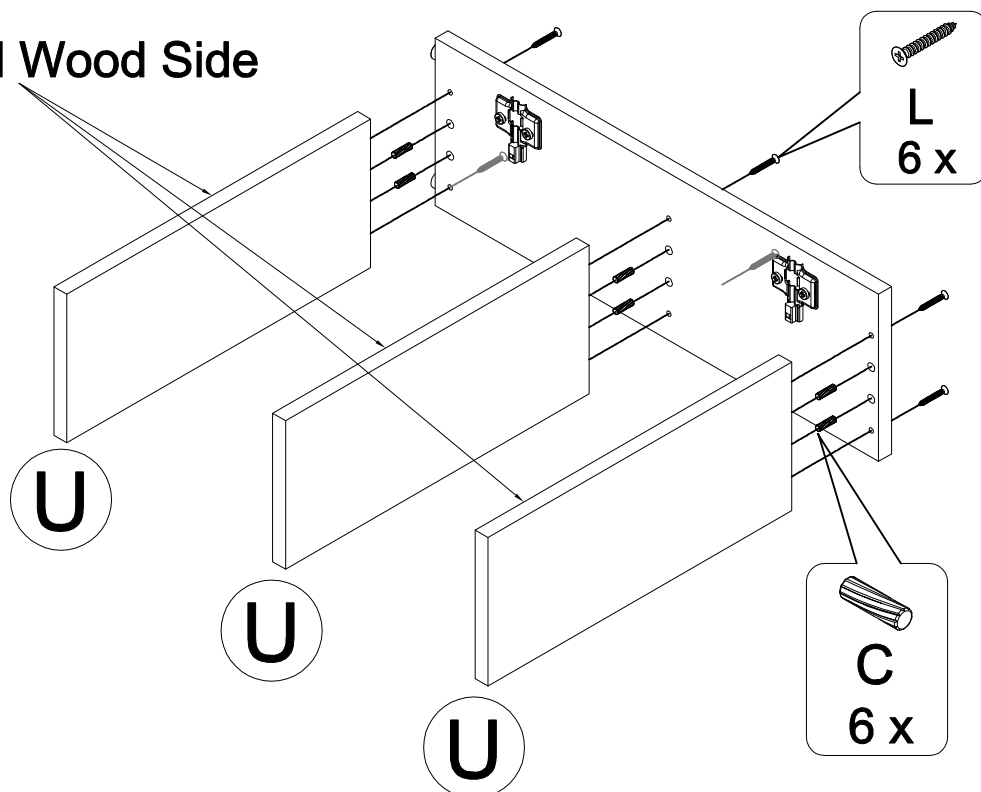
- \* Install the mounting plate(Part R) on the left back panel(Part W).



2.2

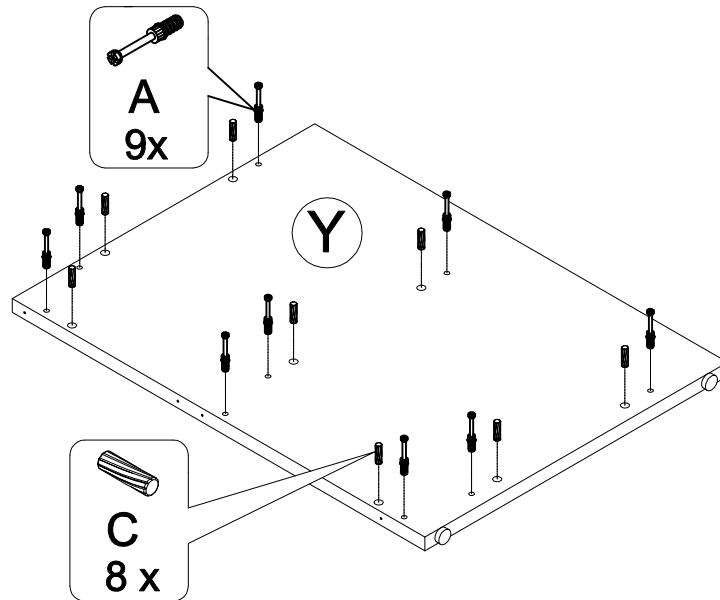
- \* Install wood dowels into the left back panel,
- \* Install wood shelves(Part U) and ensure the finished wood side is on top as shown.
- \* Align the shelves and tighten the screws.

Finished Wood Side



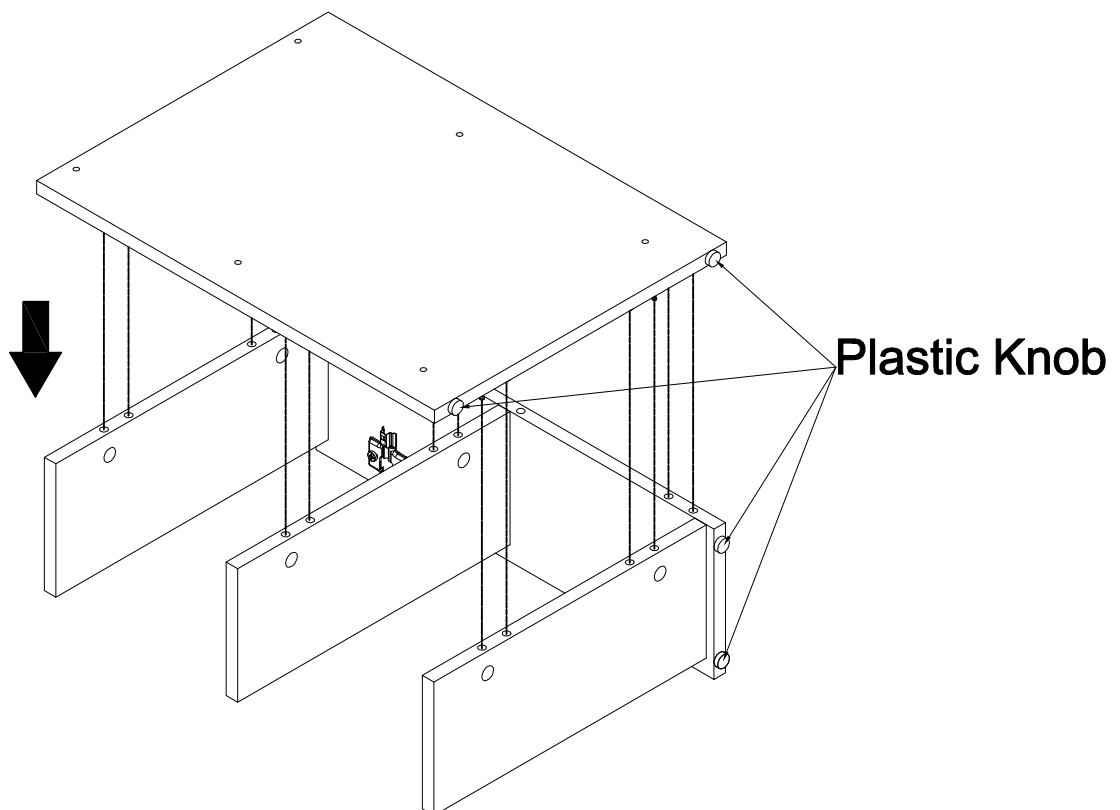
## 2.3

- \* Insert wood dowels into the left side panel(Part Y)
- \* Install cam lock screws as shown.
- \*\*\* Do not over tighten the screw, it's not recommended to use a screw driver to tighten it if you don't have to.



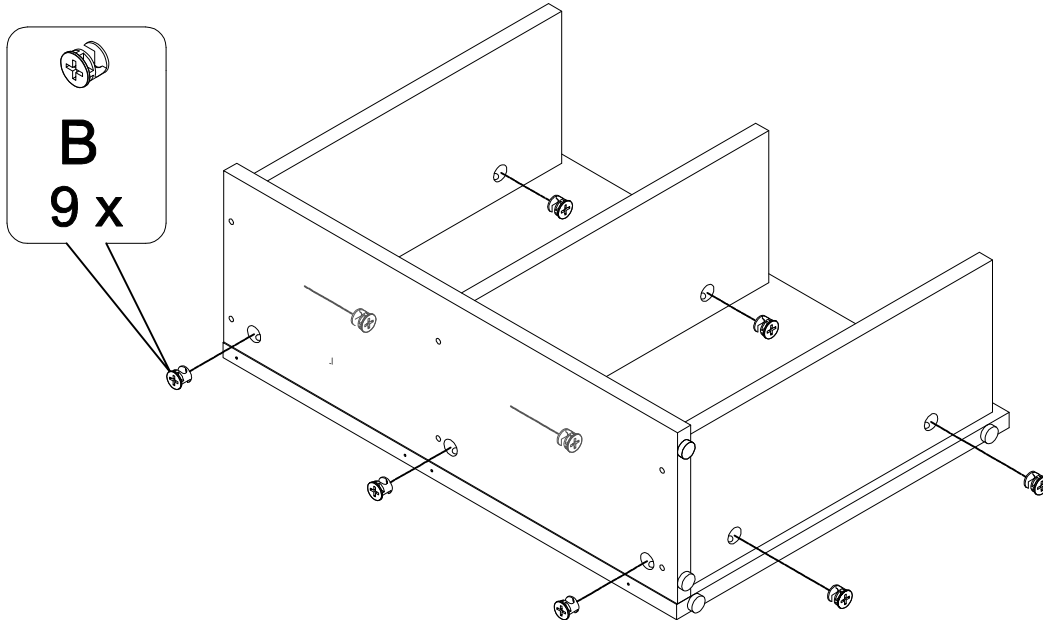
## 2.4

- \* Join the side panel with wood shelves as shown and ensure the plastic knobs are on the same side.



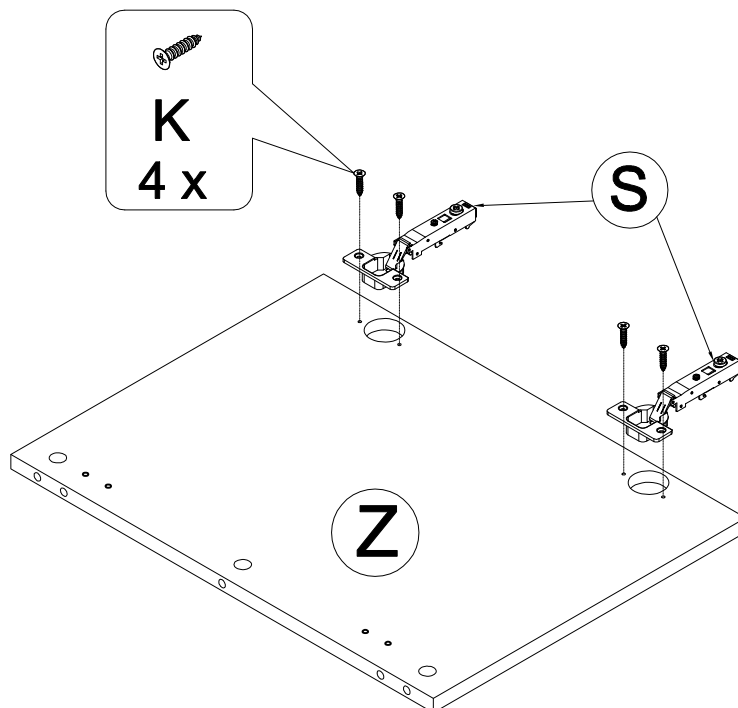
## 2.5

\* Insert the cam locks into the wood panels as shown.



## 2.6

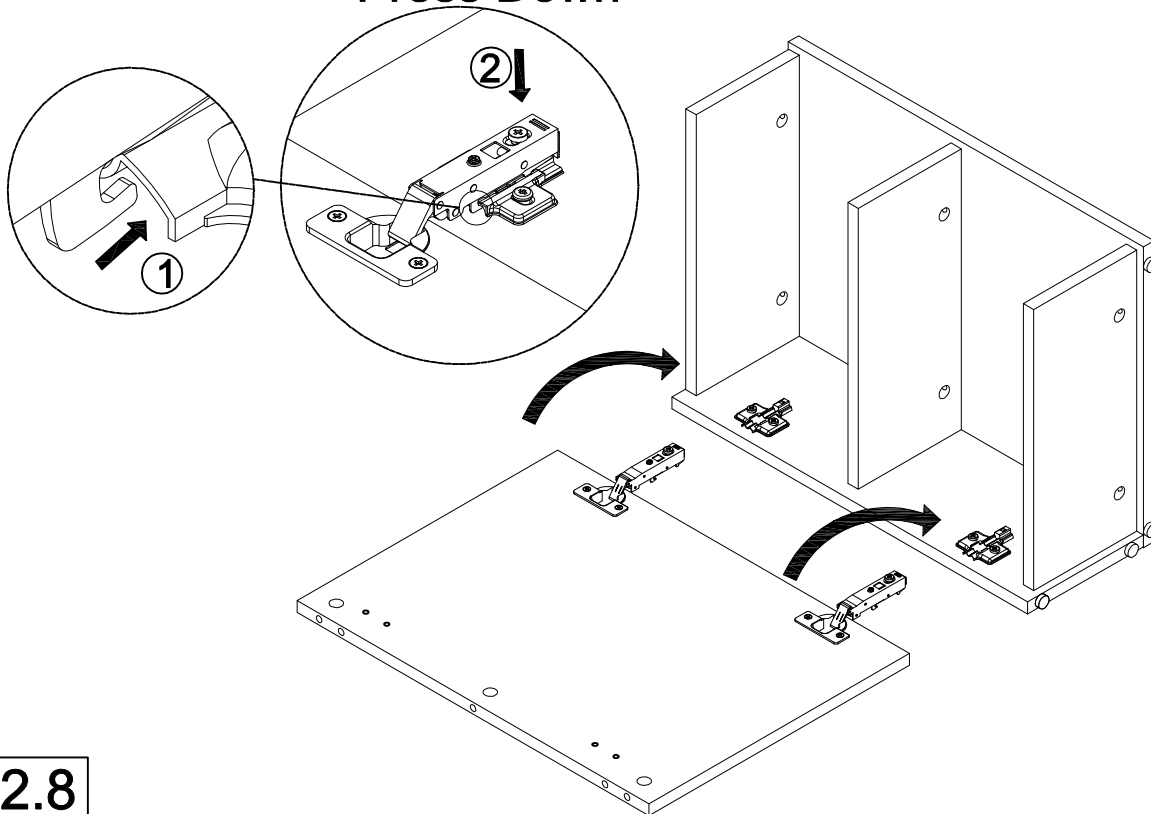
\* Install the clip on hinges on the door panel(Part Z).



## 2.7

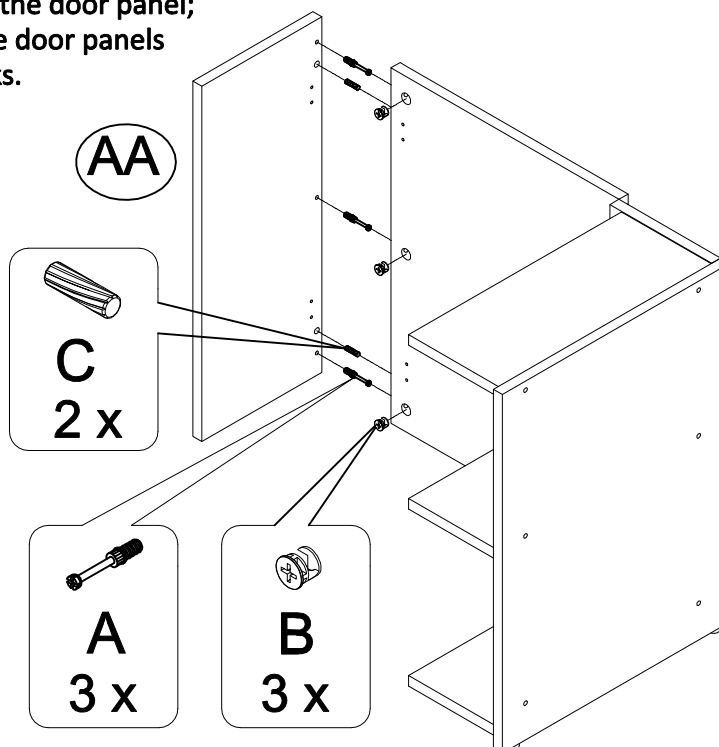
- \* Hood up the hinges as shown.
- Match the latch with the mounting plate then press the hinge down.

**Press Down**



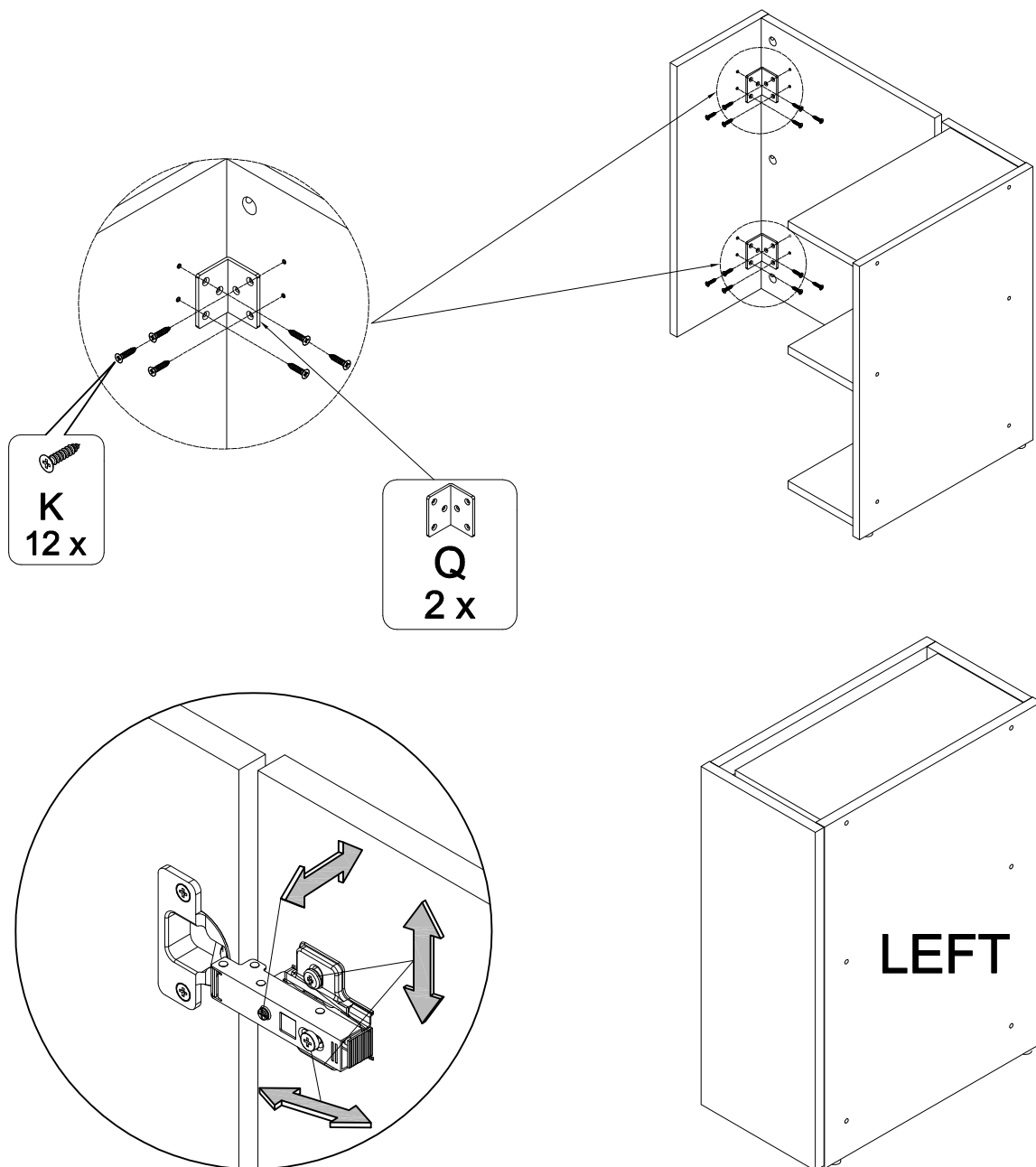
## 2.8

- \* Install the door front panel as shown.
- Install cam lock screws and dowels into the front panel;
- Insert cam locks into the door panel;
- Connect and align the door panels and lock the cam locks.



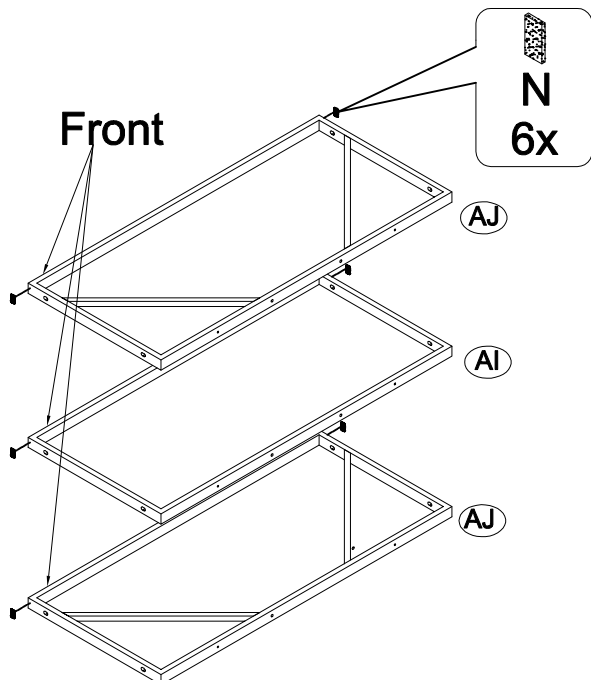
## 2.9

- \* Install the steel enforcer (Part Q) as shown.
- Adjust the hinges to align the door if necessary.



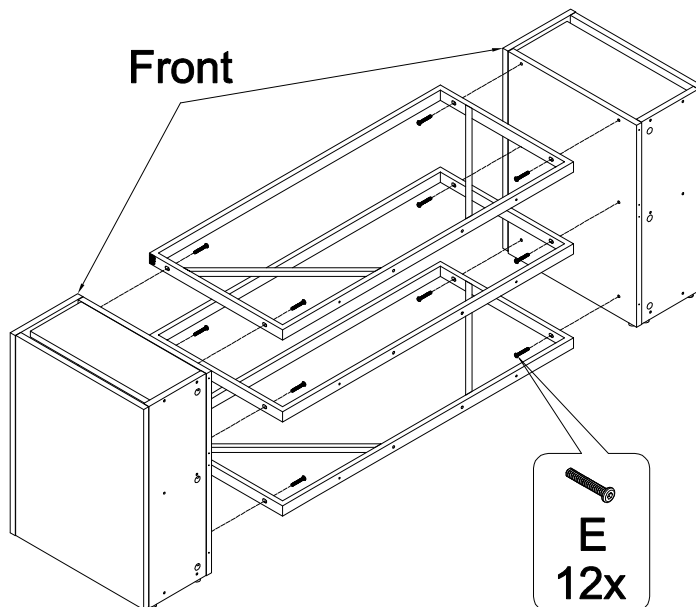
### STEP 3

\* Apply the self adhesive rubber door bumpers to the steel frames as shown.



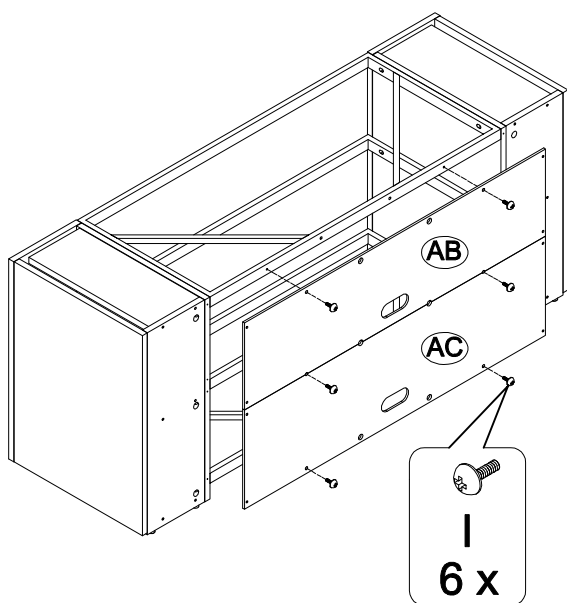
### STEP 4

\* Install the steel frame as shown.

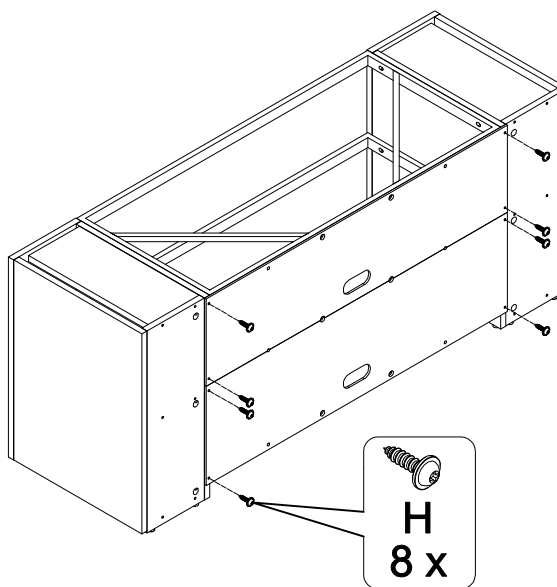


### STEP 5

\* Install the back panel (Part AB, AC) as shown.

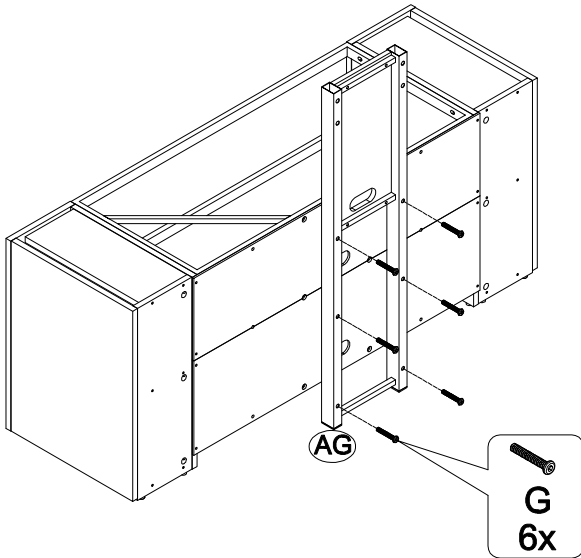


### STEP 6



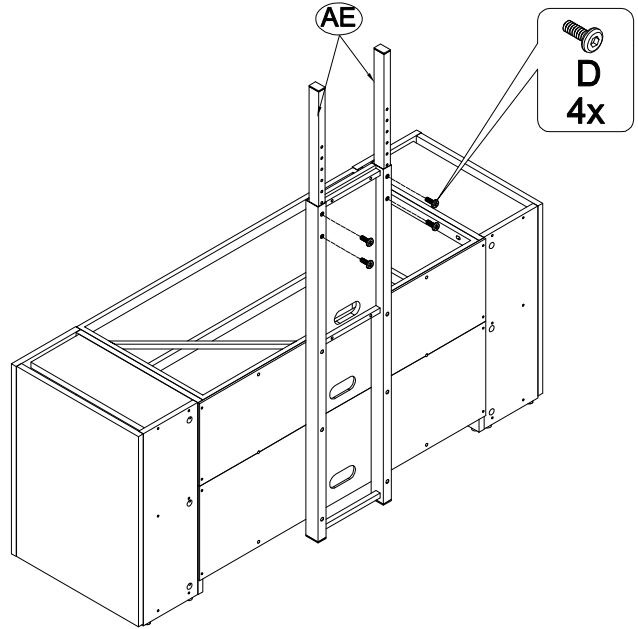
## STEP 7

\* Install the mounting system support pole (Part AG) as shown.



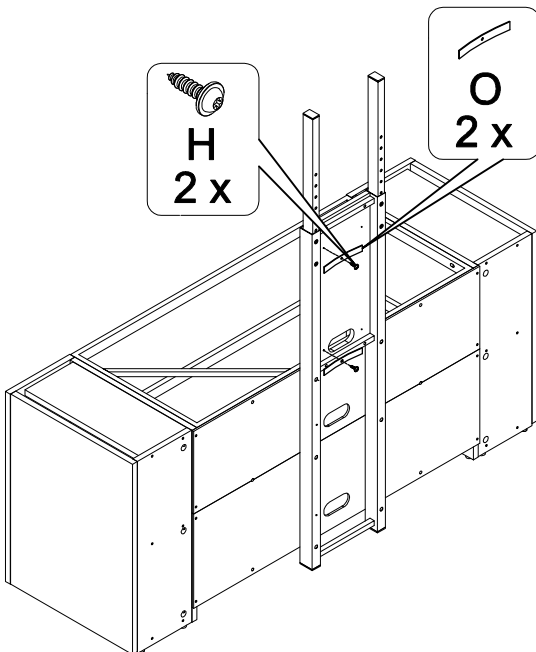
## STEP 8

\* Install the mounting system adjustment poles (Part AE) as shown.



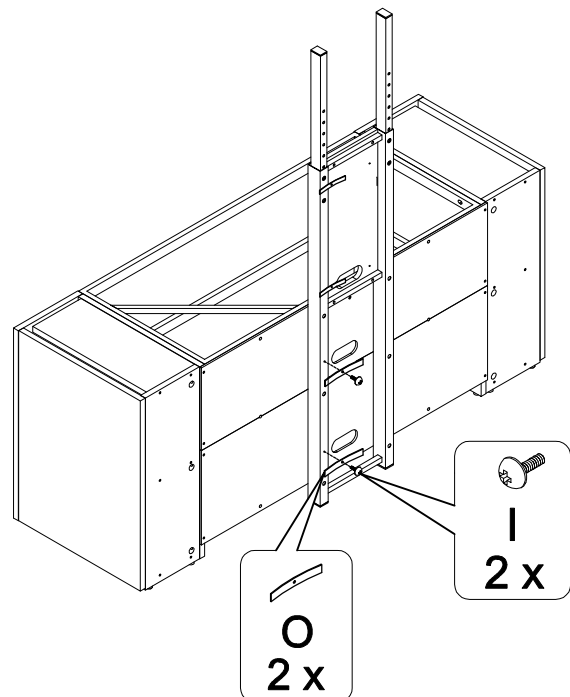
## STEP 9

\* Install the cable management system  
- Install the Velcro strips on the wood panel as shown.



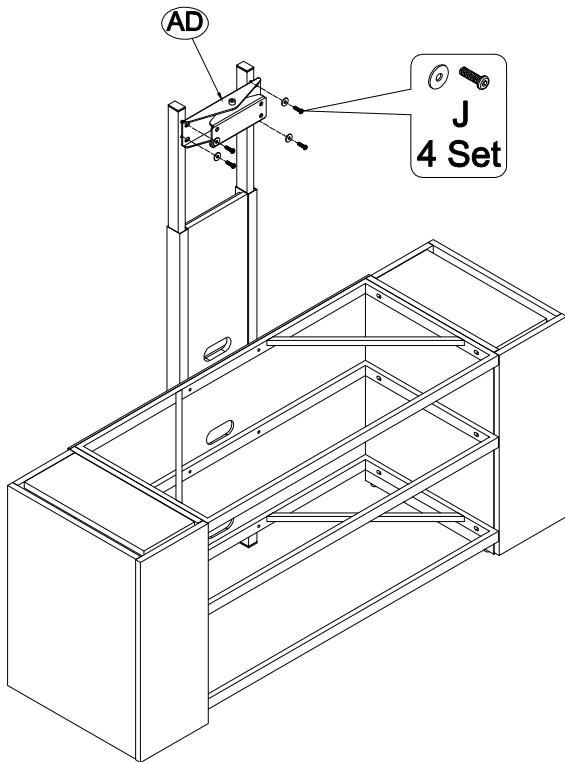
## STEP 10

\* Install the Velcro strips on the steel support pole as shown.



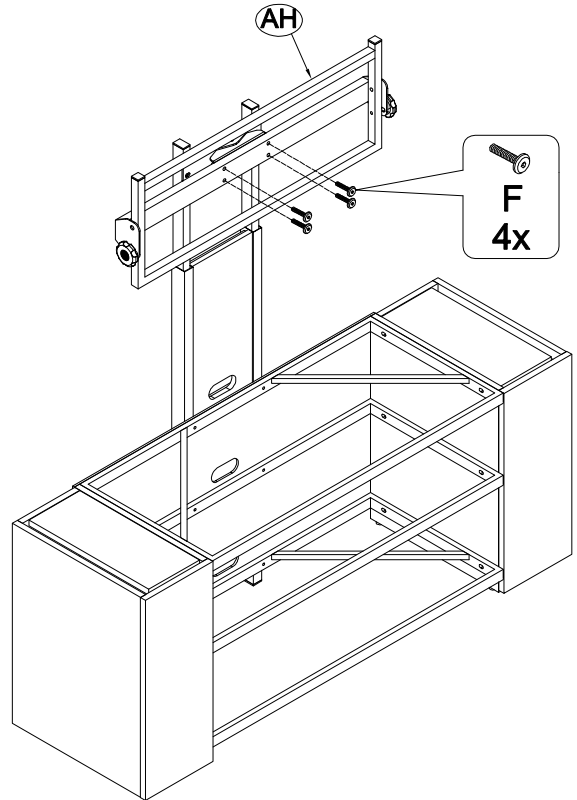
### STEP 11

- \* Install the pivot device(Part AD).
- Level the pivot device and tighten the screws.



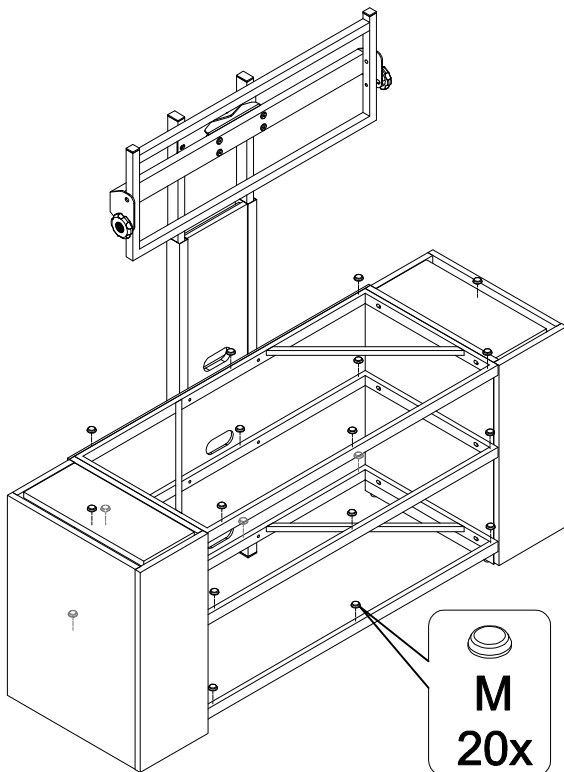
### STEP 12

- \* Install the mounting bracket as shown.
- Level the mounting bracket and tighten the screws.



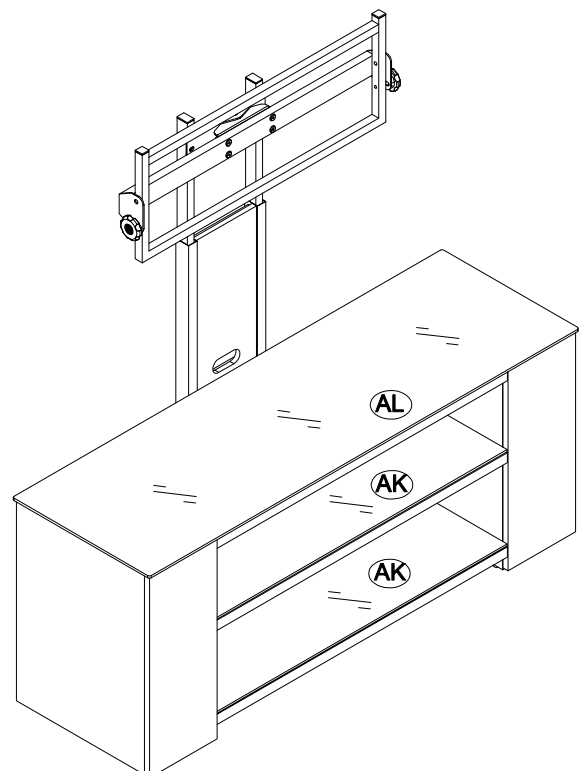
### STEP 13

- \* Apply the self adhesive vinyl bumper as shown.



### STEP 14

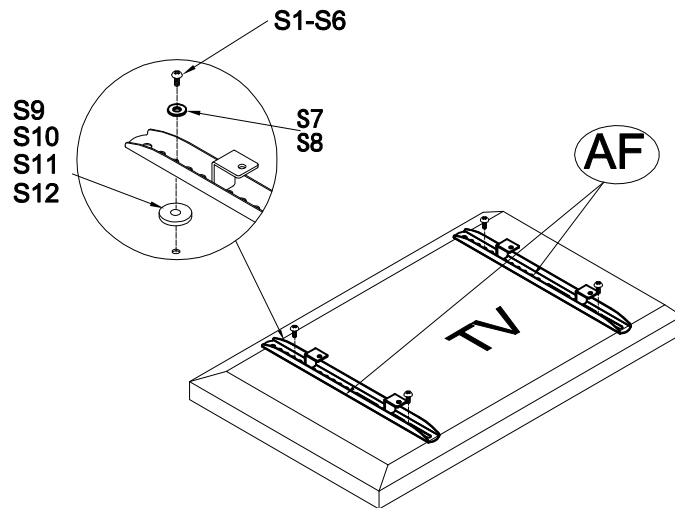
- \* Install the glass shelves as shown.



## STEP 15

\* Install the mounting bracket on the TV(choose one of the screws that fits)

Note: Some TV models are not VESA compliant that require special mounting adapter to mount the TV. Please review the TV user manual or contact the TV manufacturer for detail information.



## STEP 16

\* Hang the TV on the mounting bracket.

- Install the knobs(Part P) to the top anchor of the bracket to secure the system as shown.
- The bottom anchor does not need a knob.

