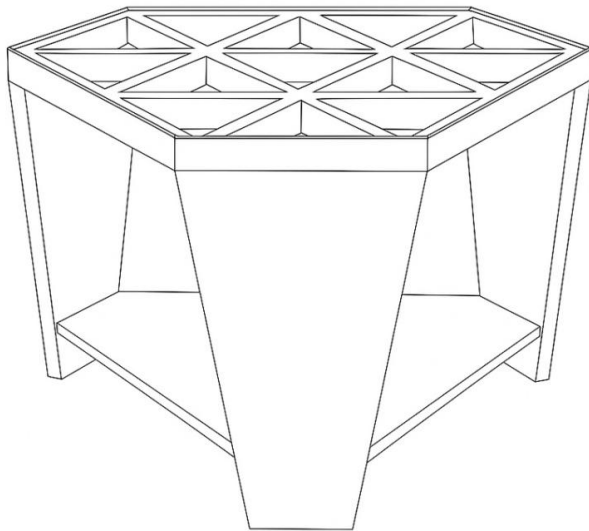


**Ahokua**

# Assembly Instruction

Accent Table



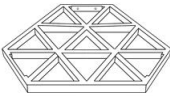
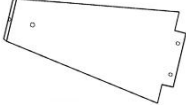
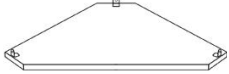





**⚠ WARNING:**

- Read all instructions carefully and completely before assembly and use.
- Retain for future reference.
- DO NOT use power tools.
- DO NOT over-tighten hardware.
- Periodically check all hardware and re-tighten as necessary.
- DO NOT use product if any component becomes damaged.
- For residential (non-commercial) use only.
- DO NOT sit or stand on product. Use only for intended purpose.
- DO NOT exceed 50lbs for the tabletop, evenly distributed.

If you encounter any issues during installation or use, please email us at [support@mi-din.com](mailto:support@mi-din.com), including your order ID and a detailed description of the problem. If possible, please provide relevant images to expedite assistance. We will strive to resolve any issues promptly.

**Parts List**

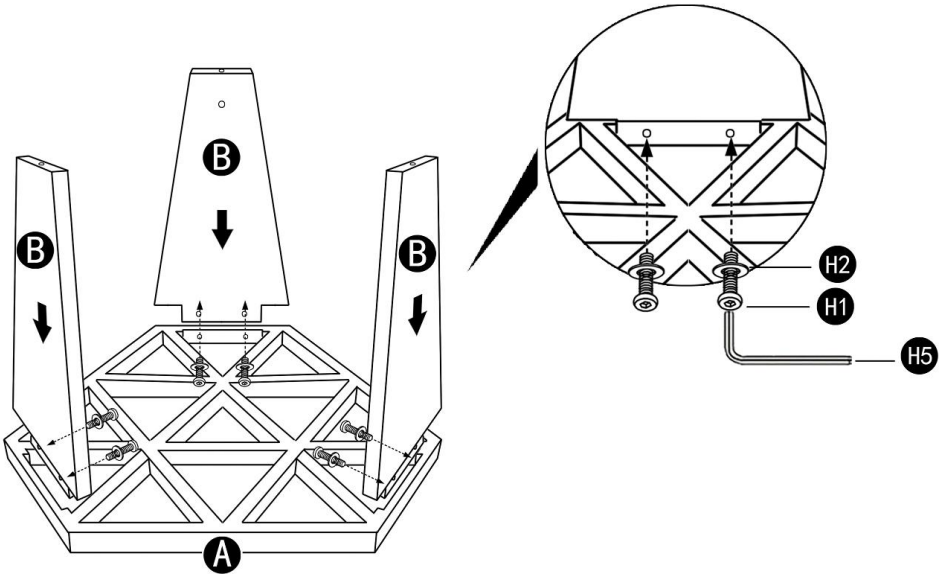
Check all parts before assembly

A. <u>Table top</u>  *1	B. <u>Leg</u>  *3	C. <u>Leg</u>  *1		
H1. <u>Hex bolt (Long)</u>  *6(+1 extra)	H2. <u>Washer</u>  *6(+1 extra)	H3. <u>Hex bolt (Short)</u>  *3(+1 extra)	H4. <u>Foot pads</u>  *4	H5. <u>Allen Key</u>  *1

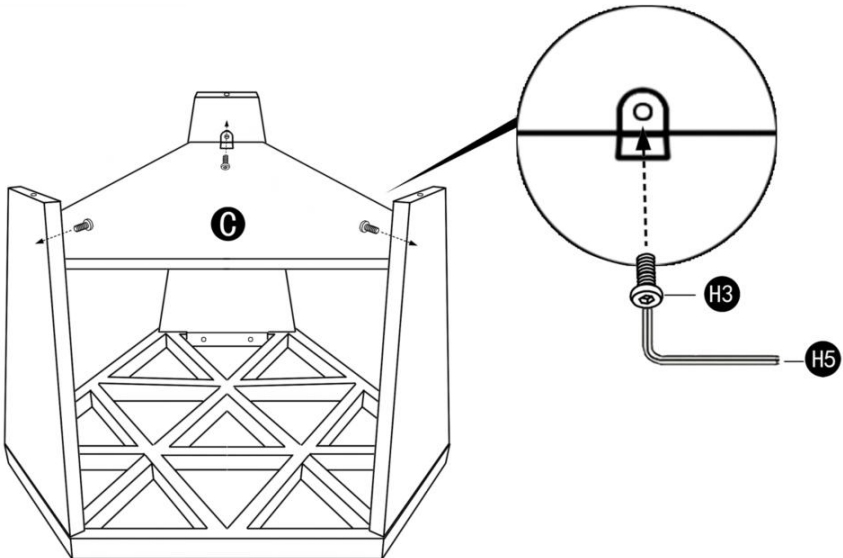
**Caution:**

The tabletop (A) has a tempered glass surface securely attached to the wooden frame. Please handle with care to avoid damage or injury.

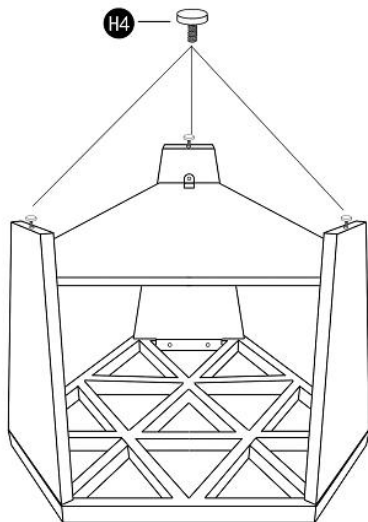
Step 1: Put the Tabletop (A) on a soft surface to protect the finish.  
Attach the Legs (B) to Tabletop (A) with Hex bolts (H1) using Allen key H2).  
**Leave hardware loose in this step.**



Step 2: Attach the Shelf (C) to Legs (B) with Hex bolts (H2) using Allen key H2). **Fully tighten all Bolts from Step 1 to 2.**



Step 3: Attach the Foot pad (H4) to all Leg.



Assembly finished.

