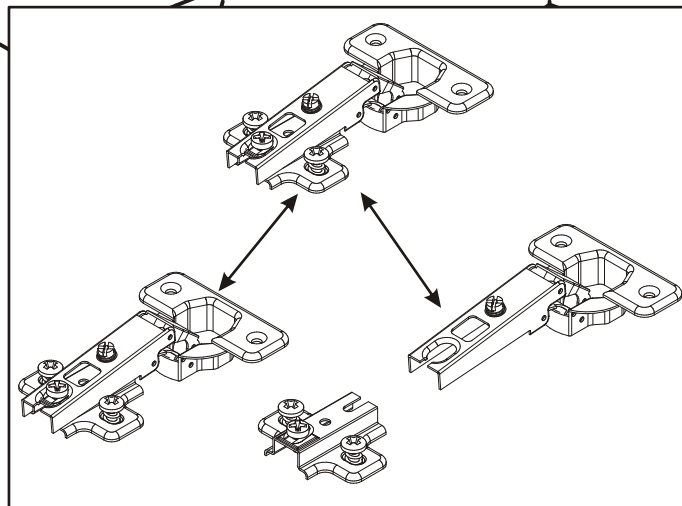
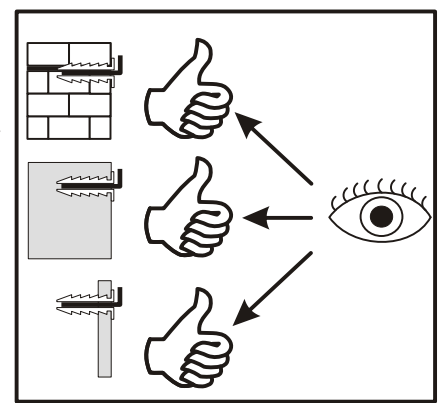
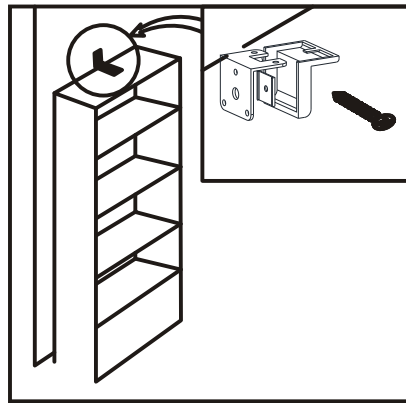
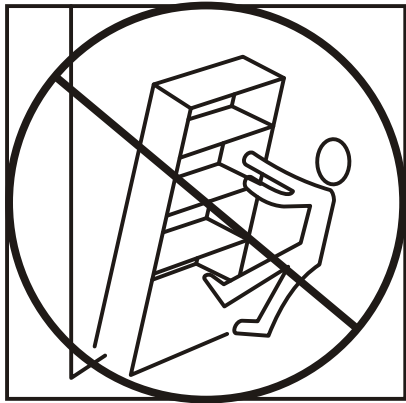
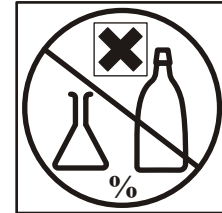
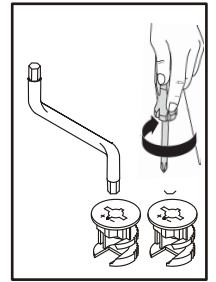
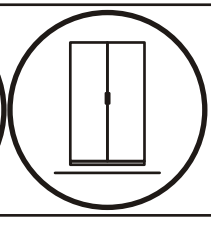
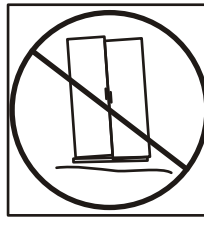
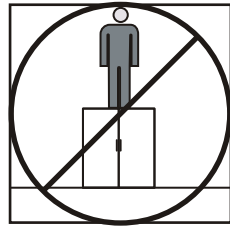
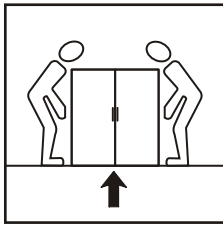
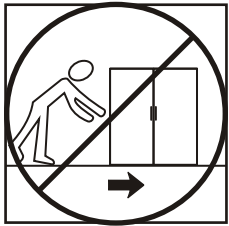
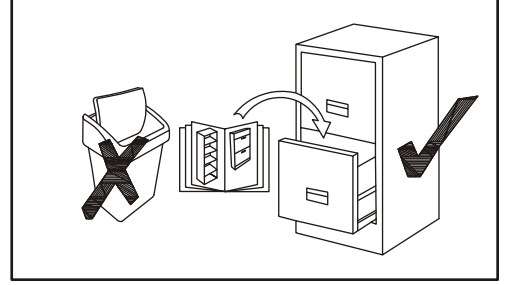
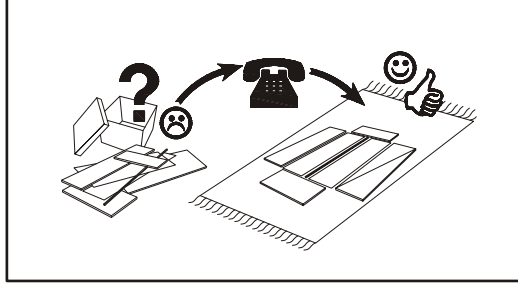
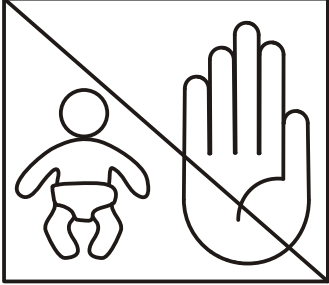
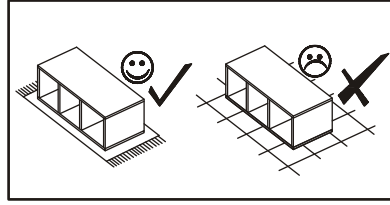
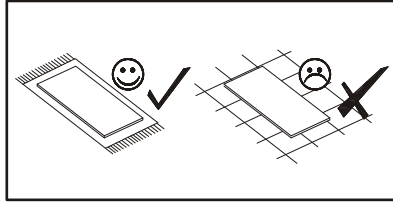


# ASSEMBLY MANUELL

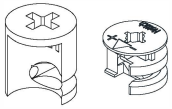


Modern Wall-Mounted Entertainment Center with 3 Door

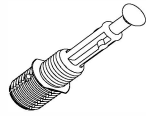
# FLOATING TV STAND



# How to instal Components



MINIFIX  
HEAD



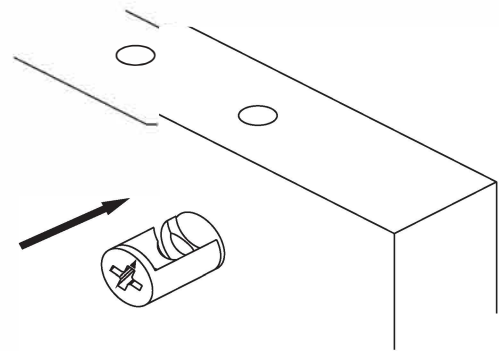
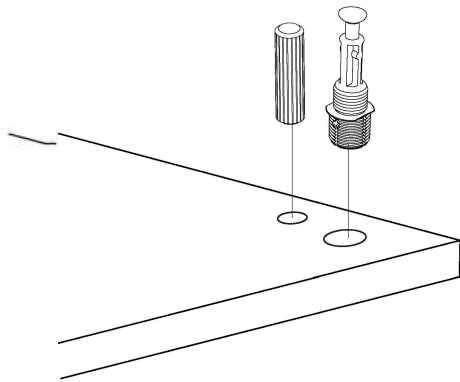
MINIFIX  
SCREW



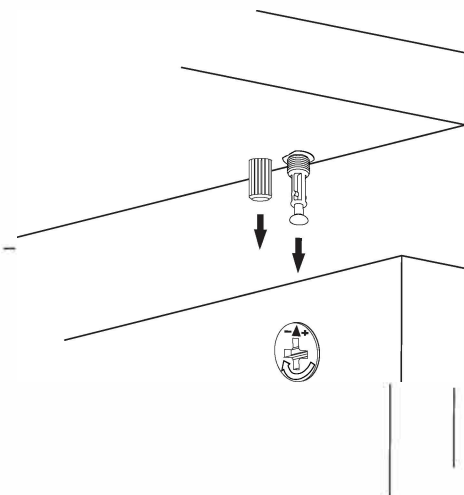
DOWEL

If the dowel is not required during the installation phase, it is not included in the package.

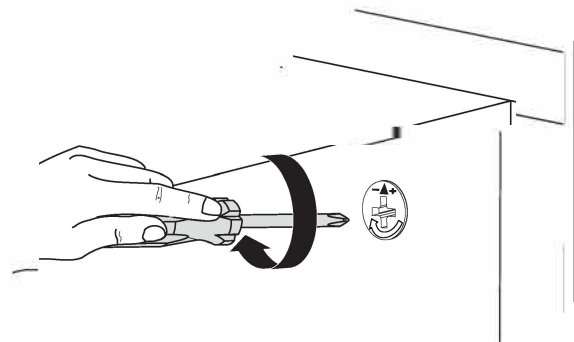
\*Please notice that there is an small arrow on A03 (minifix head). This arrow should show the direction of upper hole.



\*After attaching two pieces please turn the A03 (minifix head) clockwise direction with the help of a screwdriver.

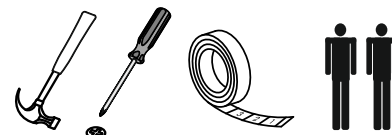


\*Please do not over screw the minifix head since it may be broken if too much power is imposed. Just make sure that it is screwed to the direction "+" do not go any further.

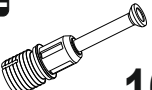

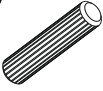
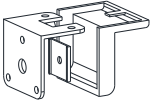
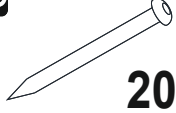



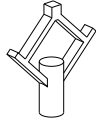

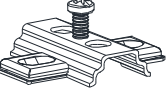


Minifix is the main connection material used in products. Before starting assembly, please check the drawings below... Please use the wall mounting system for the TV The floating TV unit only carries 35lbs.

# ACCESSORY LIST

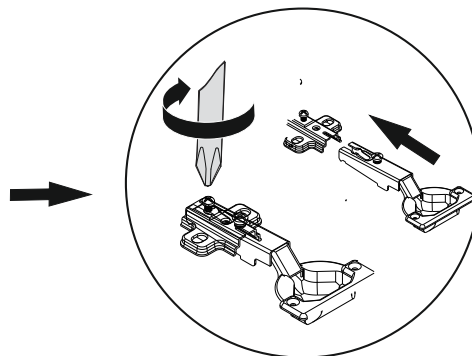


The necessary tools (not included)

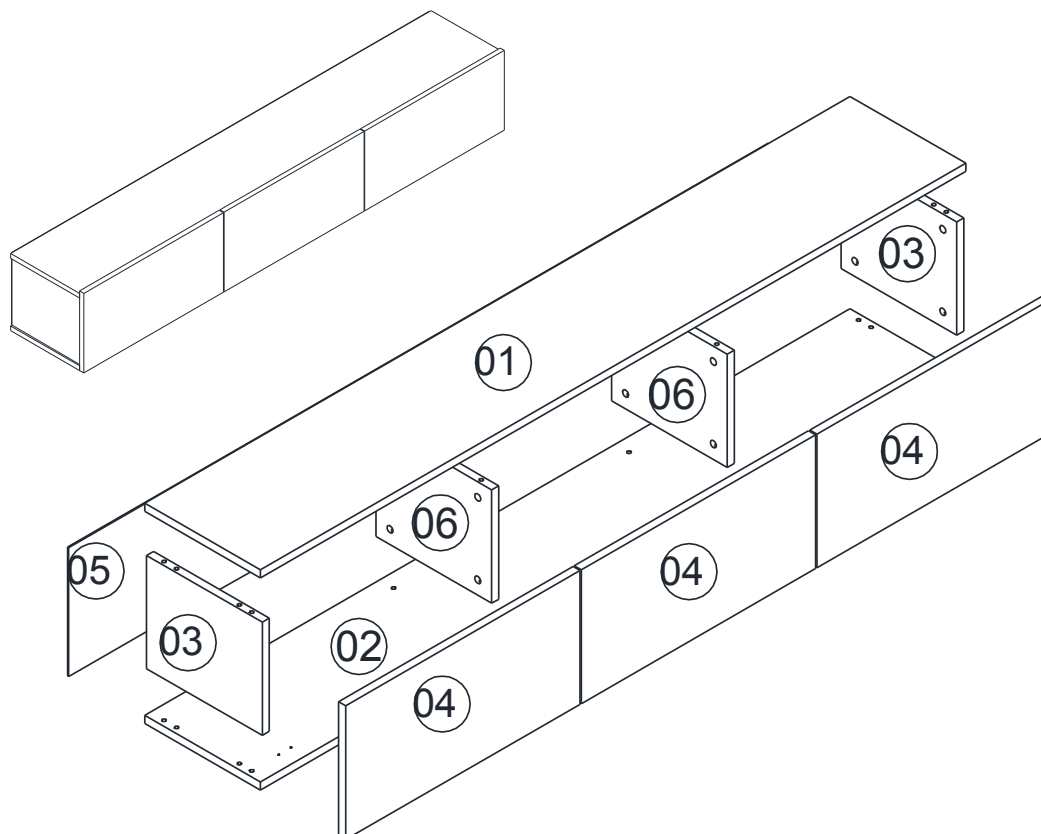
<b>A02</b>  <b>16x</b>	<b>A01</b>  <b>16x</b>	<b>A03</b>  <b>8x</b>	<b>A41</b>  <b>6x</b>
<b>A28</b>  <b>20x</b>	<b>A04</b>  <b>A 16x</b>	<b>A10</b> 3,5x18  <b>36x</b>	<b>D41</b> 5x70 YHB  <b>6x</b>
<b>E34</b>  <b>6x</b>	<b>A12</b>  <b>6x</b>	<b>A13</b>  <b>6x</b>	



Since A12 and A13 Hinge and Supplement are a set, they come screwed together. Before installing the hinge, separate A12 and A13 from each other by unscrewing the screw indicated by the arrow as shown in the diagram next to.

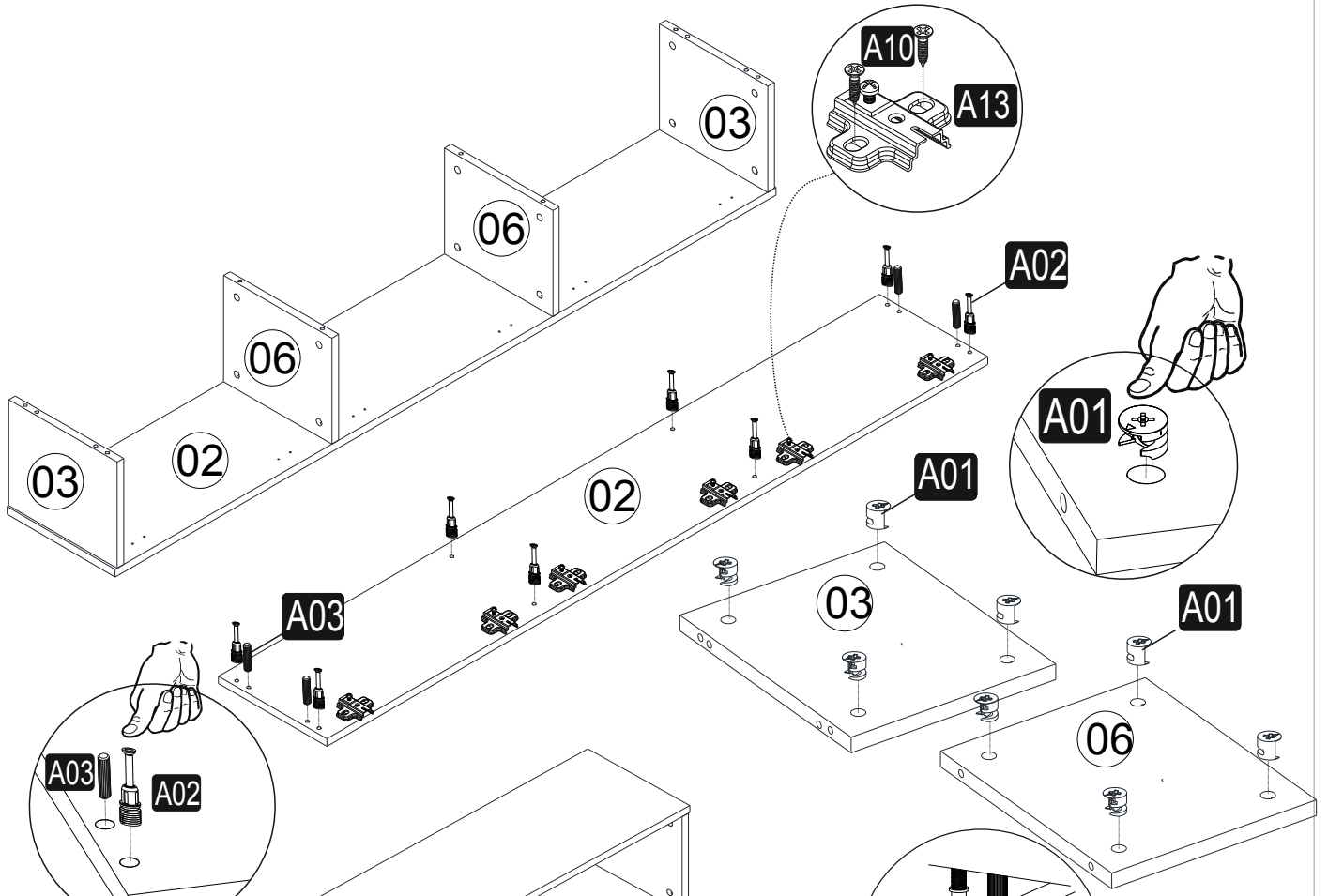


## GENERAL VIEW

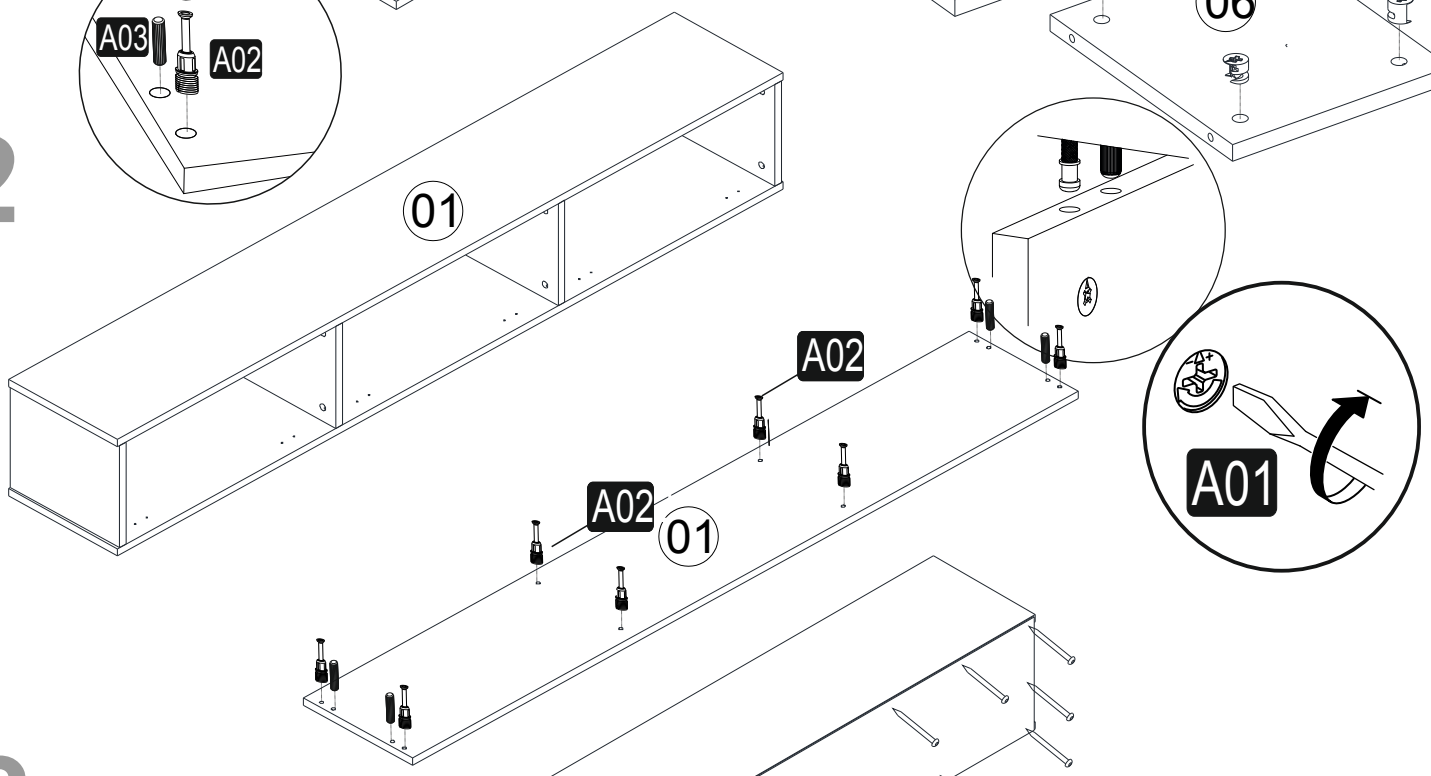


# ASSEMBLY MANUAL

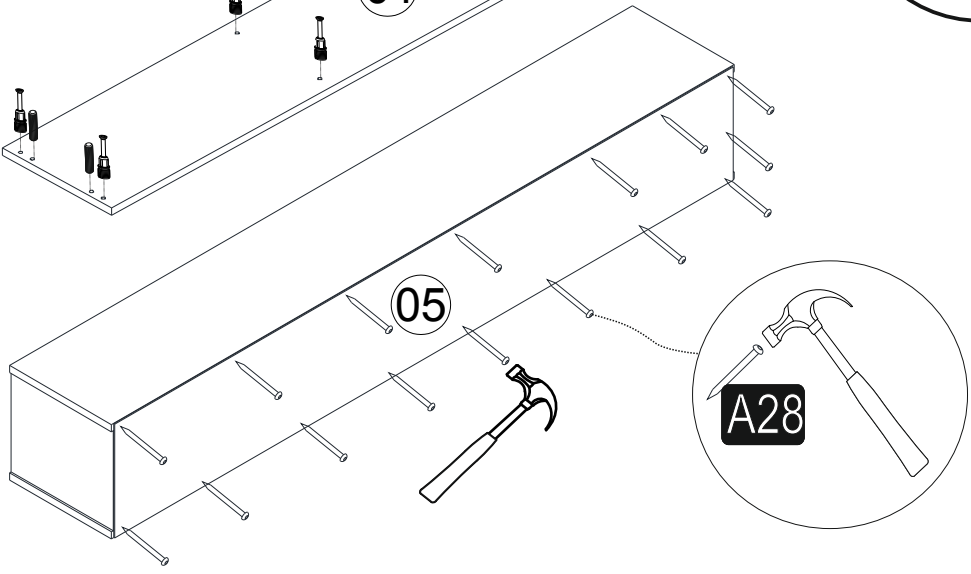
1



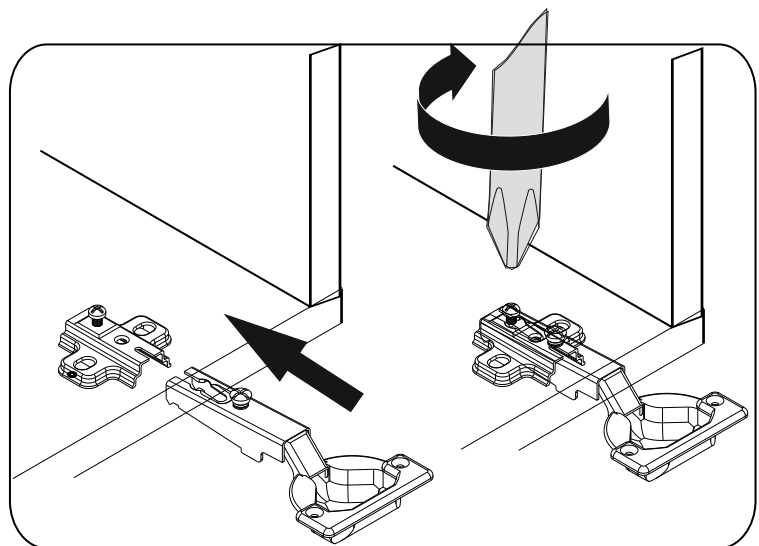
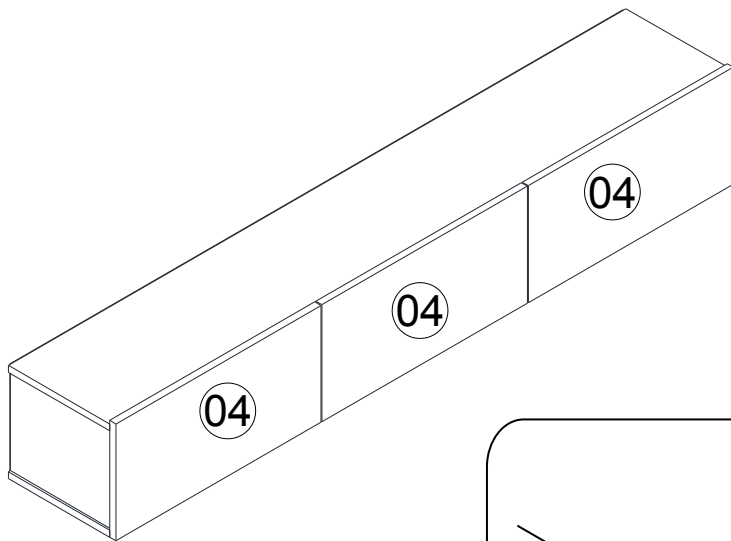
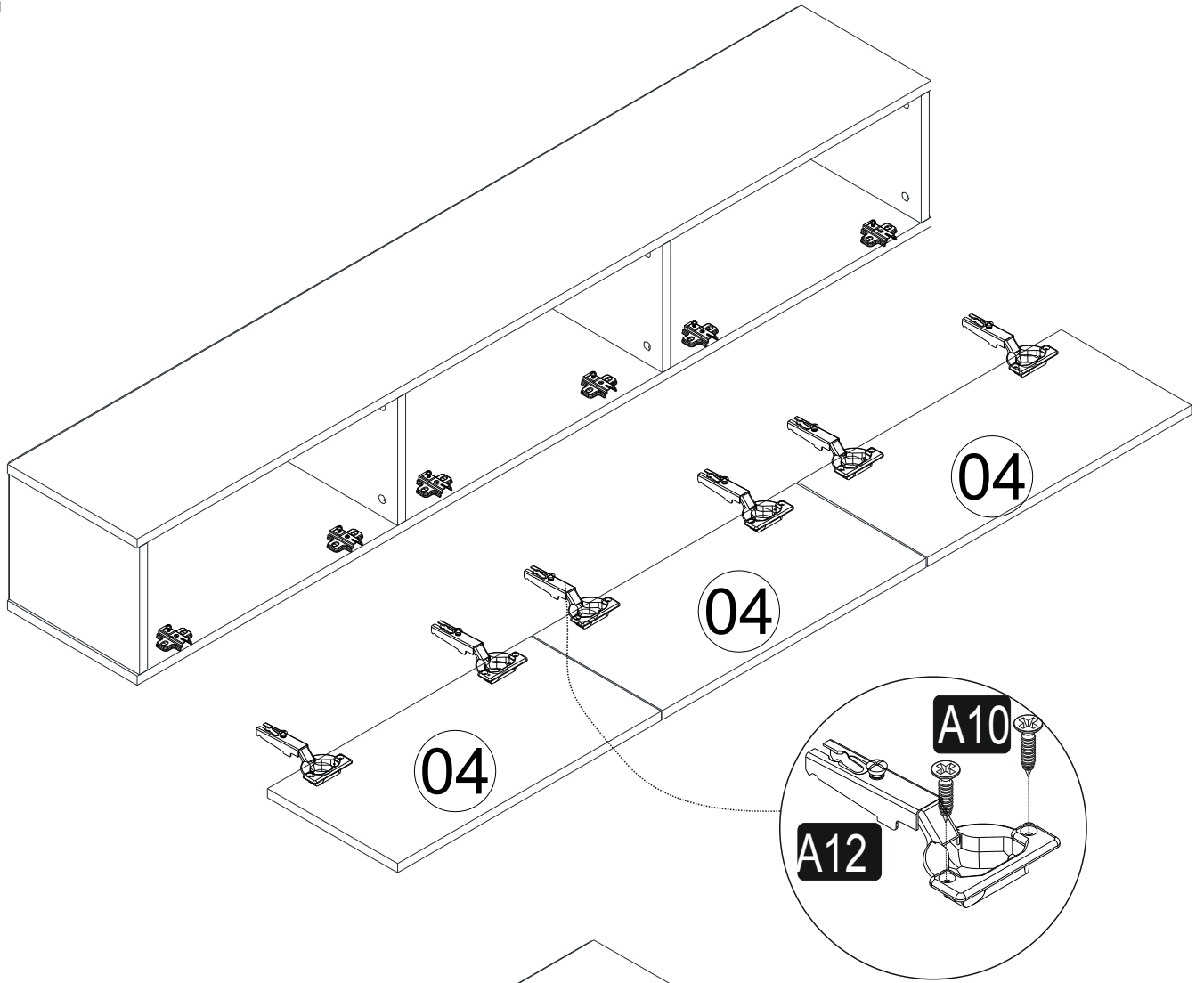
2



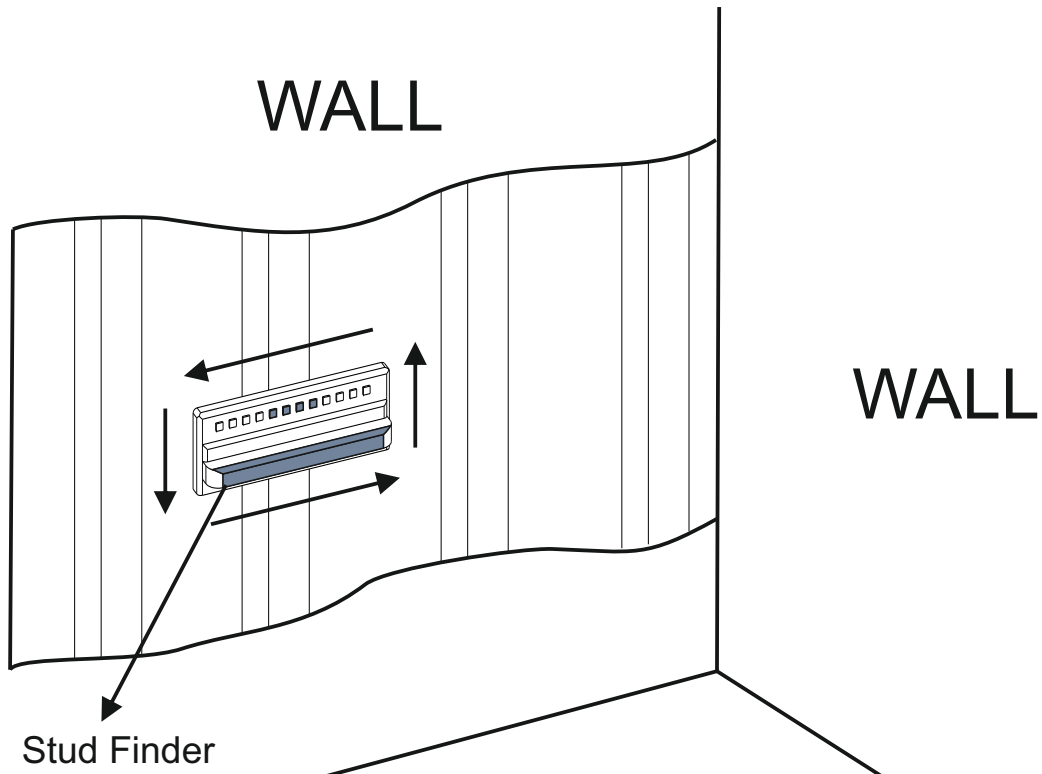
3



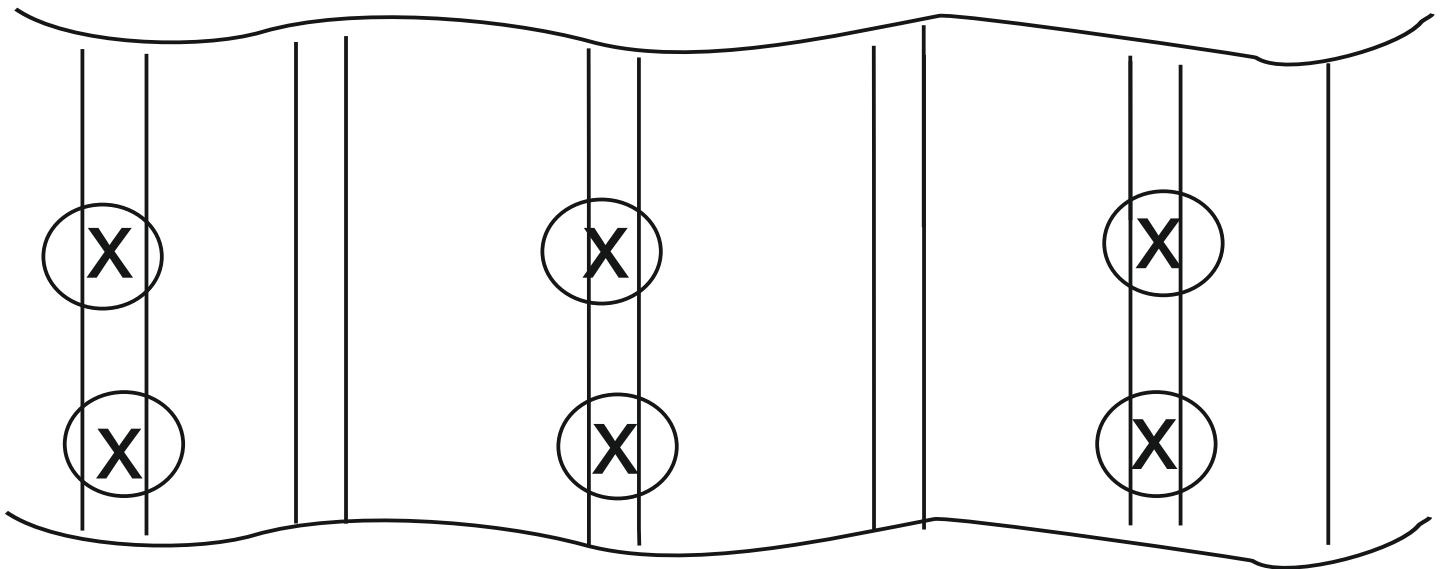
4



**5** Please use stud finder to anchor brackets into the studs for a safe installation.

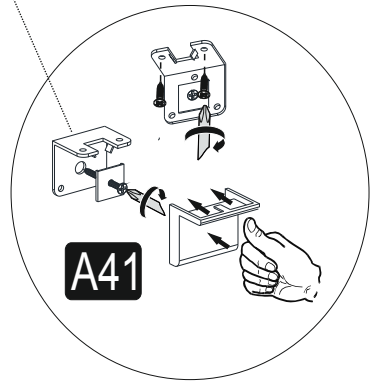
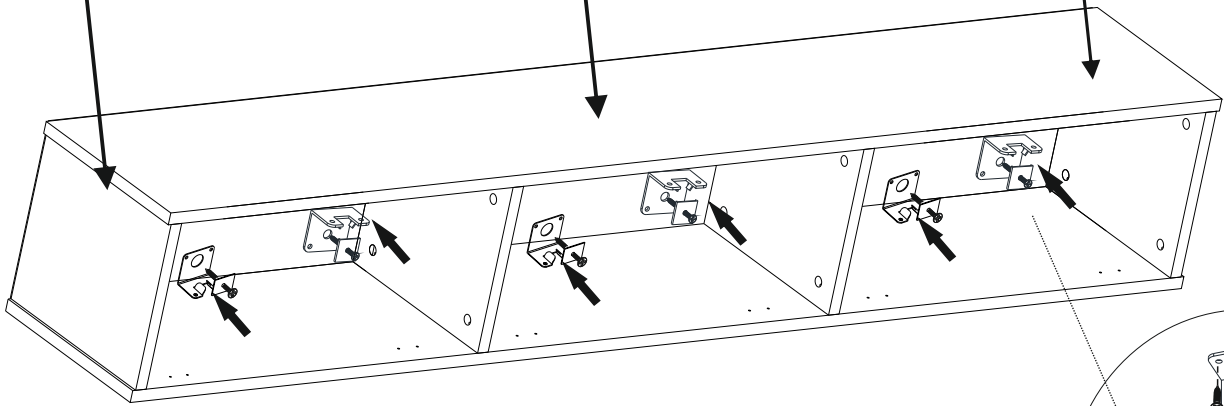
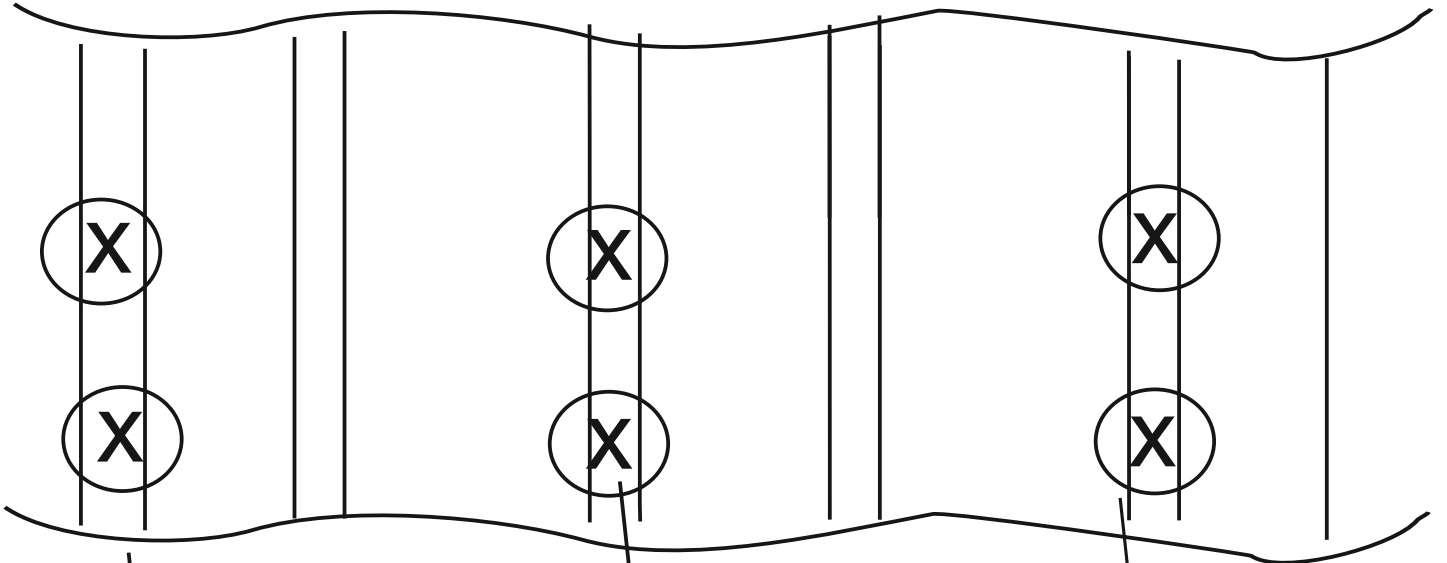


WALL

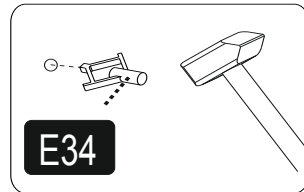
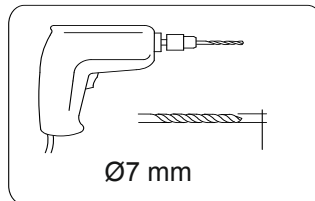


WALL

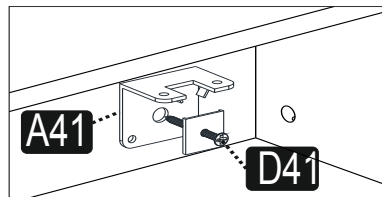
WALL



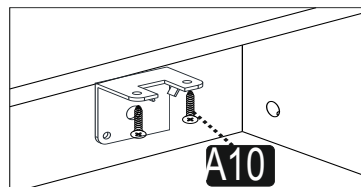
PART-1



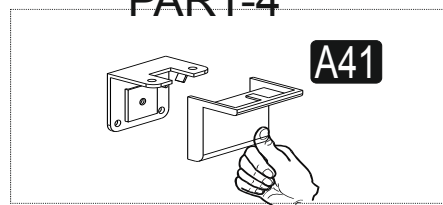
PART-2



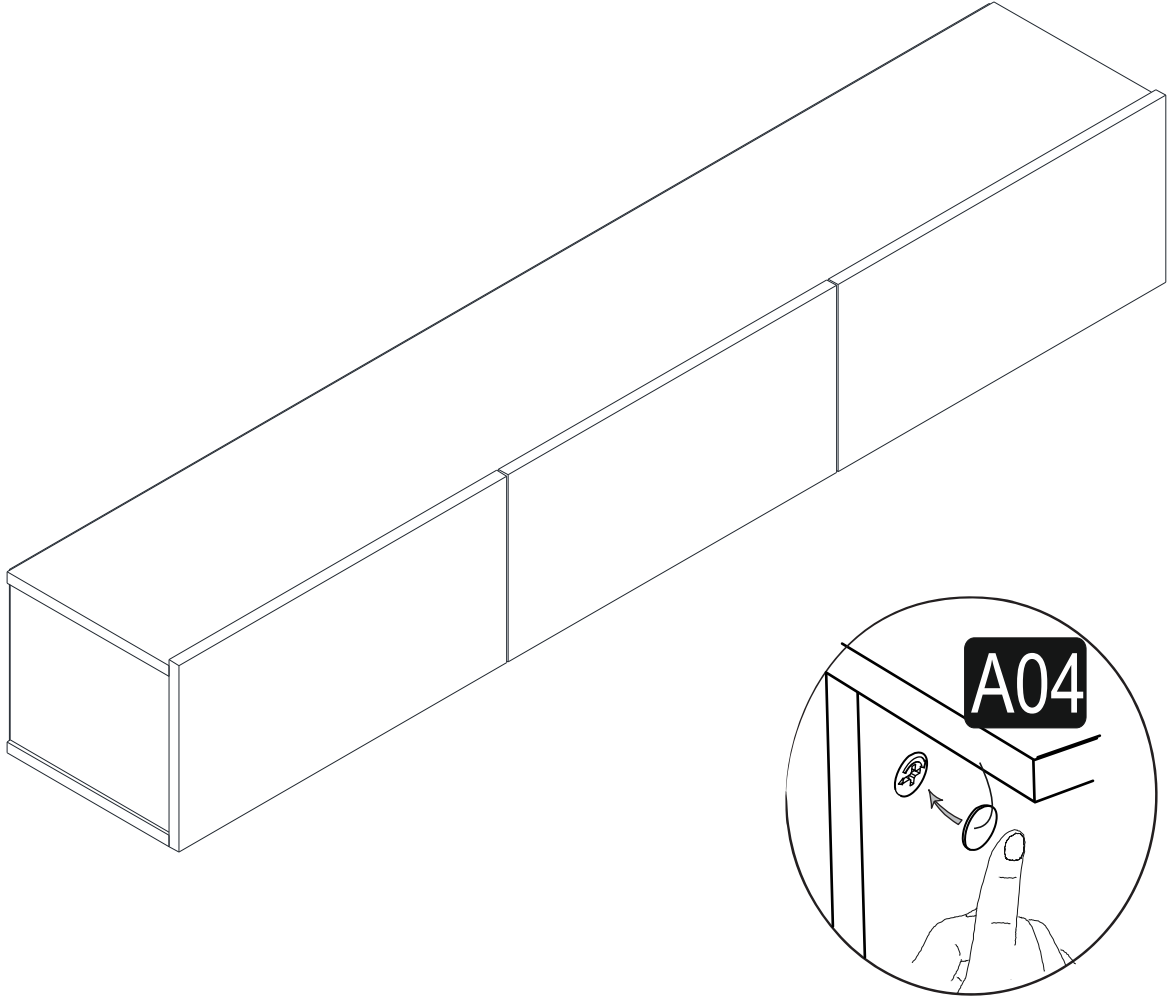
PART-3



PART-4



7



*You can contact us if you have any problems with the installation of the product.*