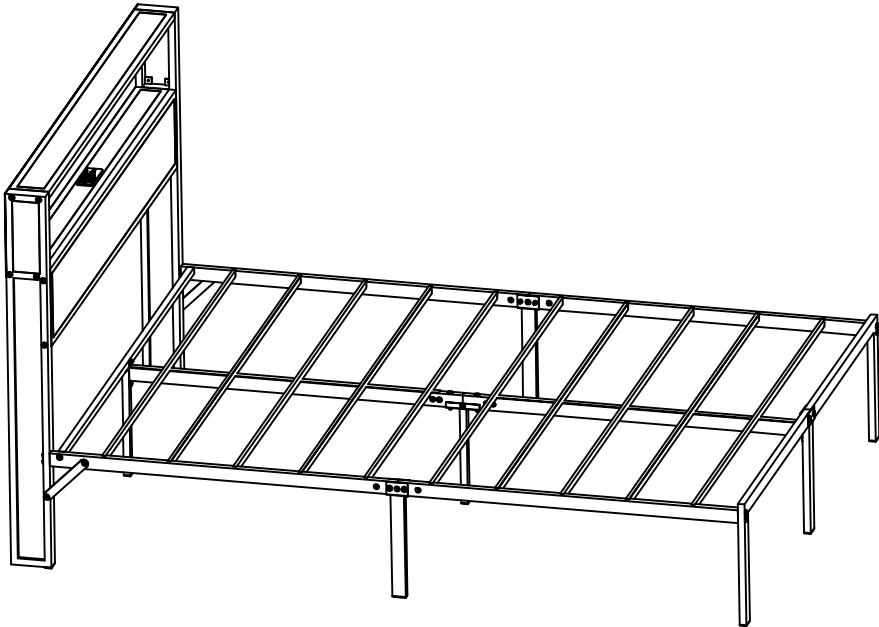
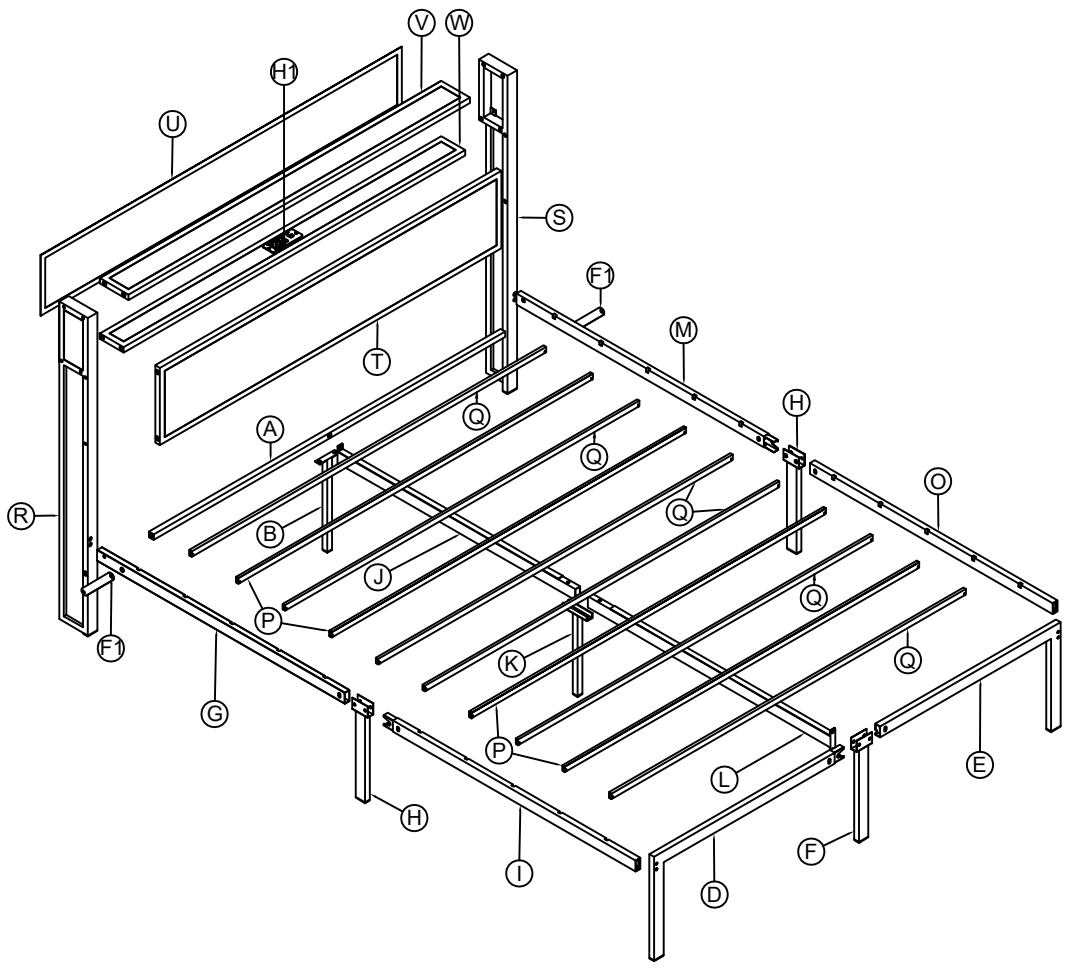


## Bed Frame



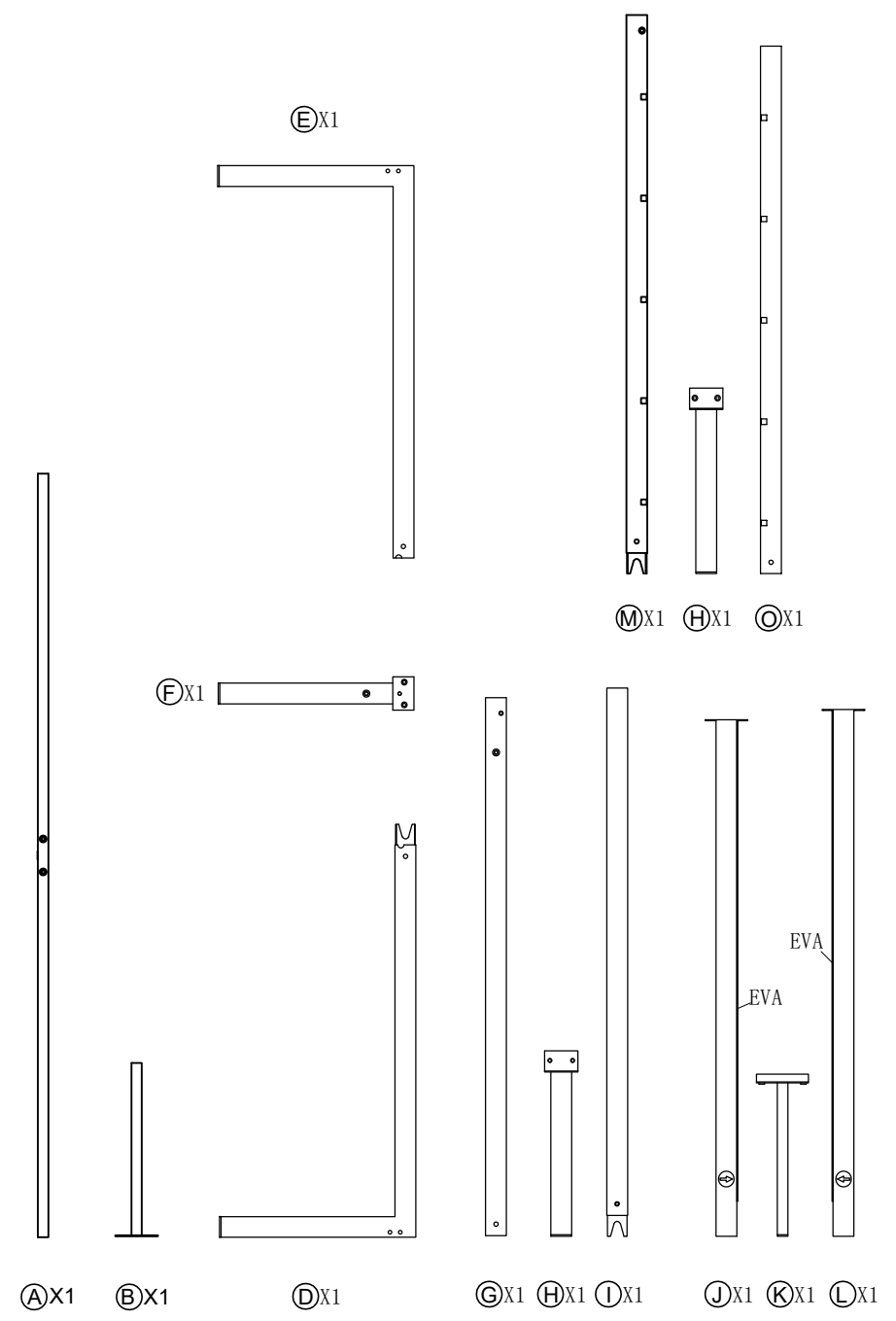
PRODUCT GUIDE AND INSTALLATION MANUAL

Parts List:



1

2

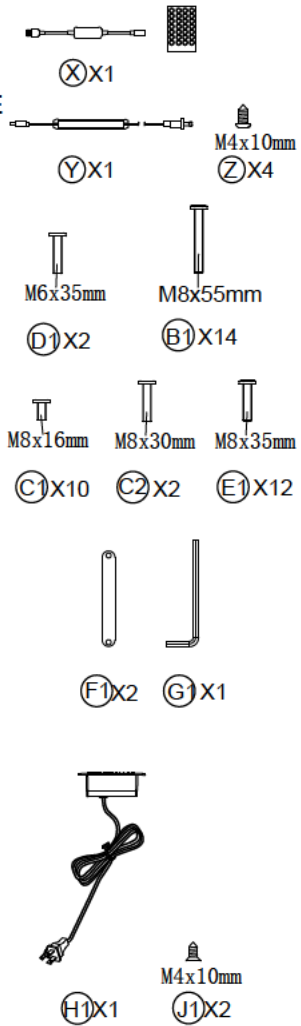
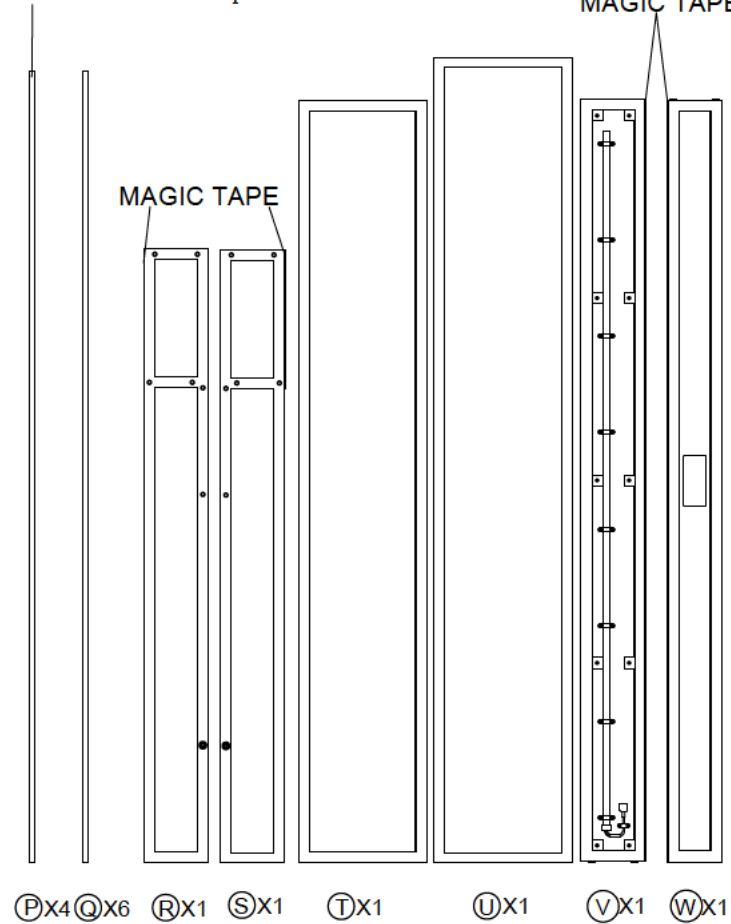


EVA

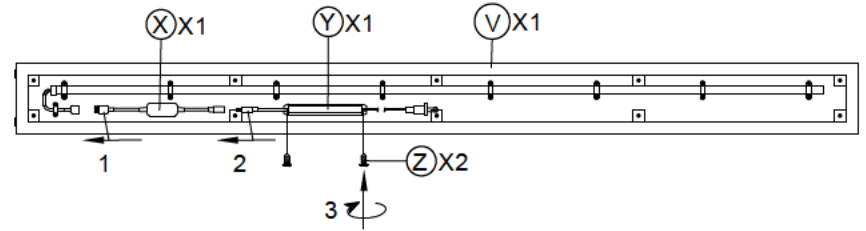
EVA

# Parts List:

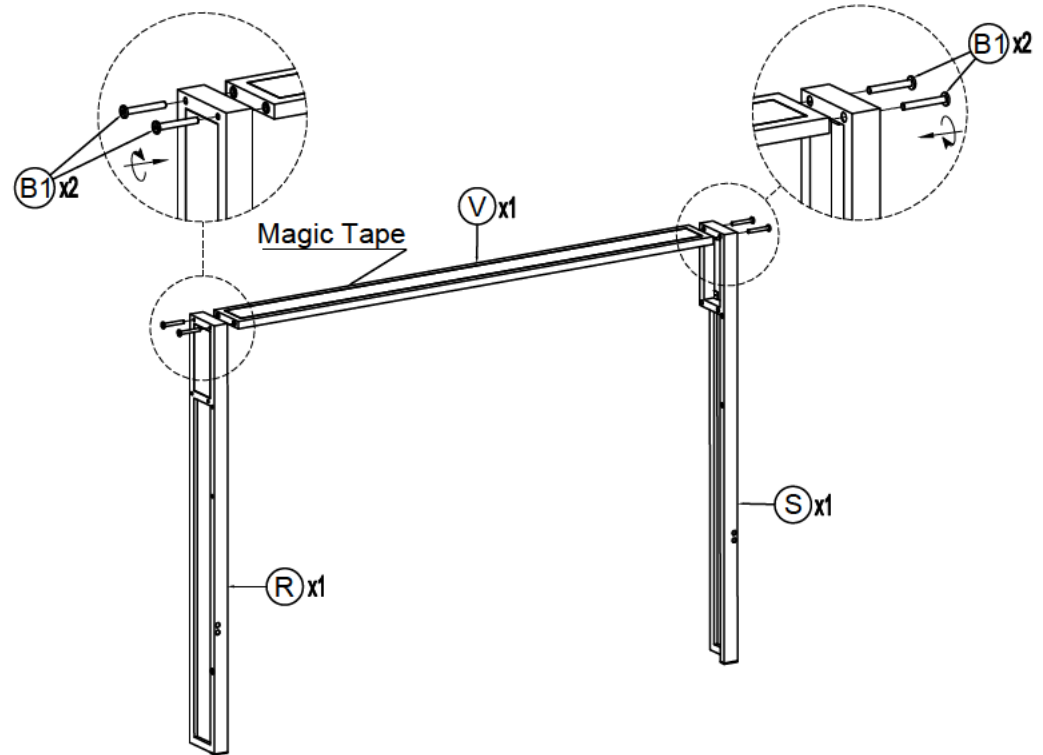
Double-sided tape



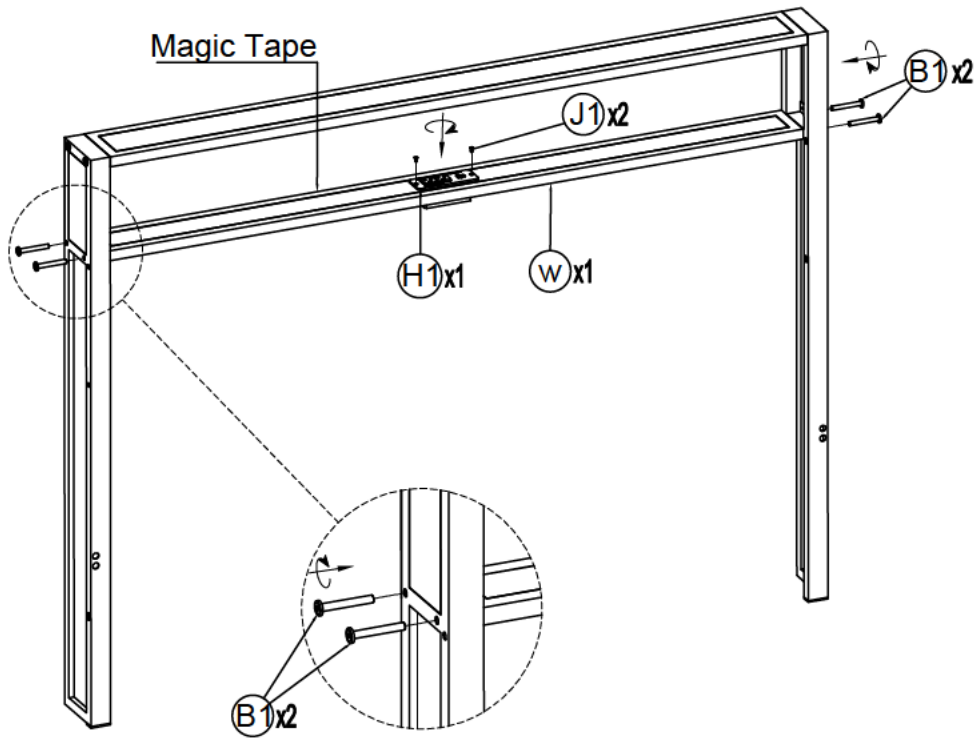
## STEP 1



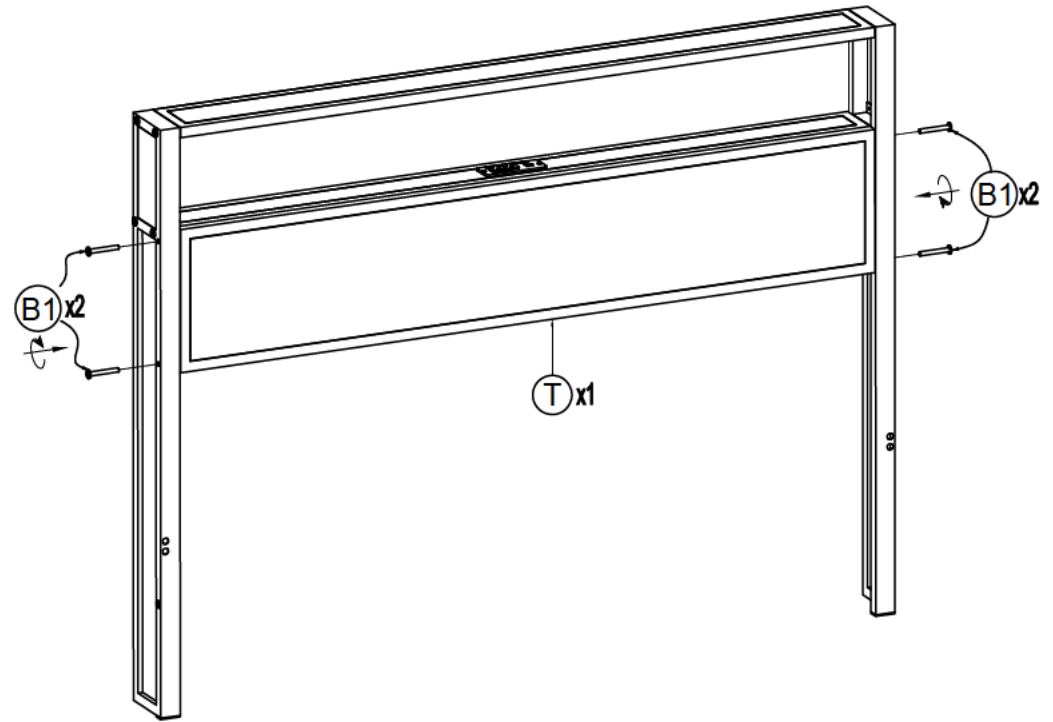
## STEP 2



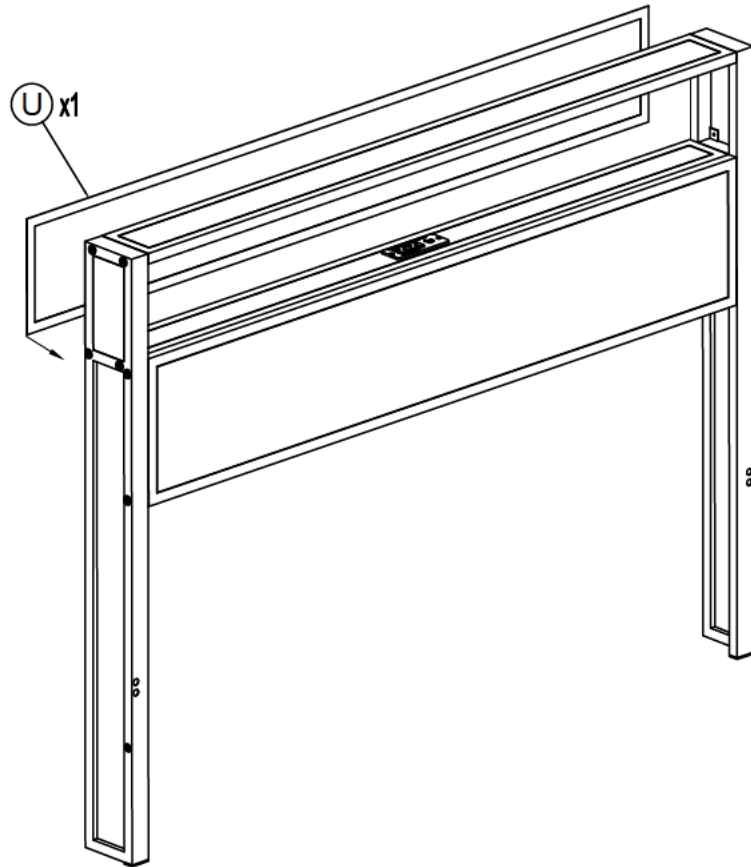
STEP3



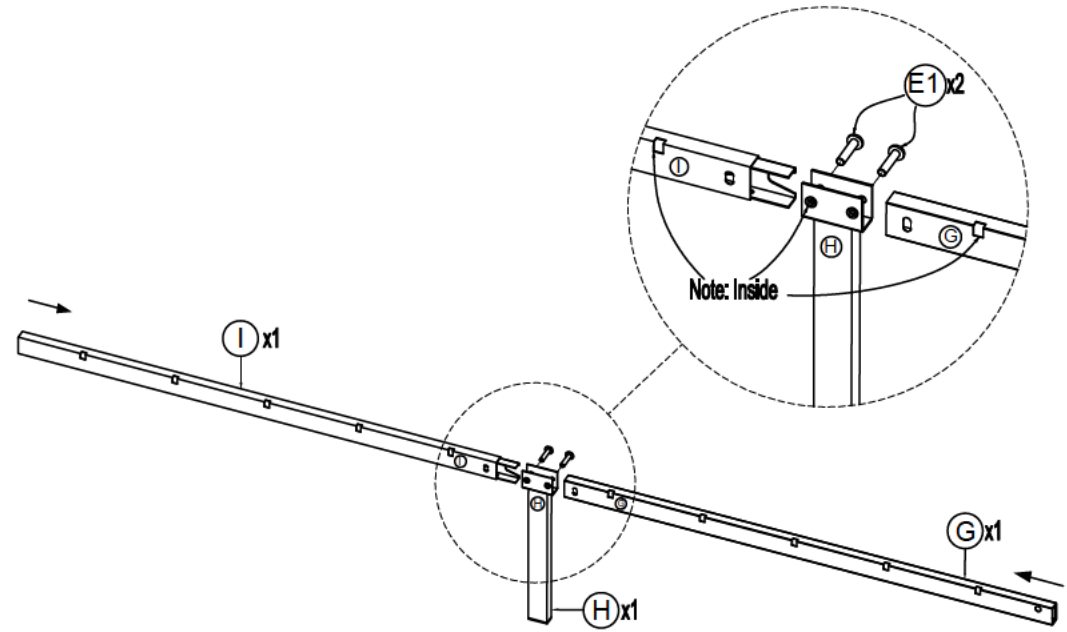
STEP 4



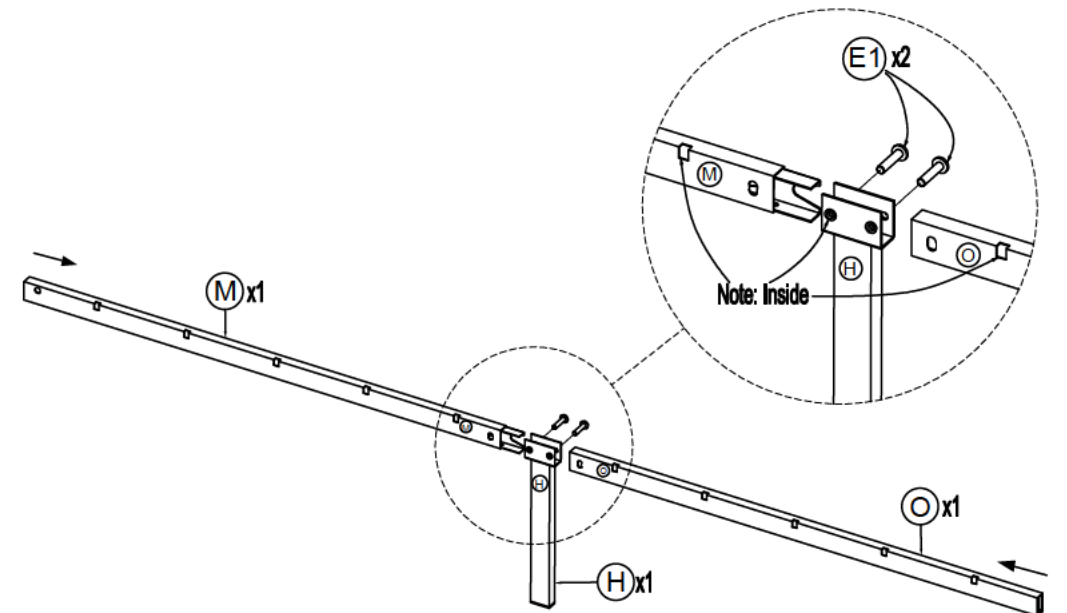
### STEP 5



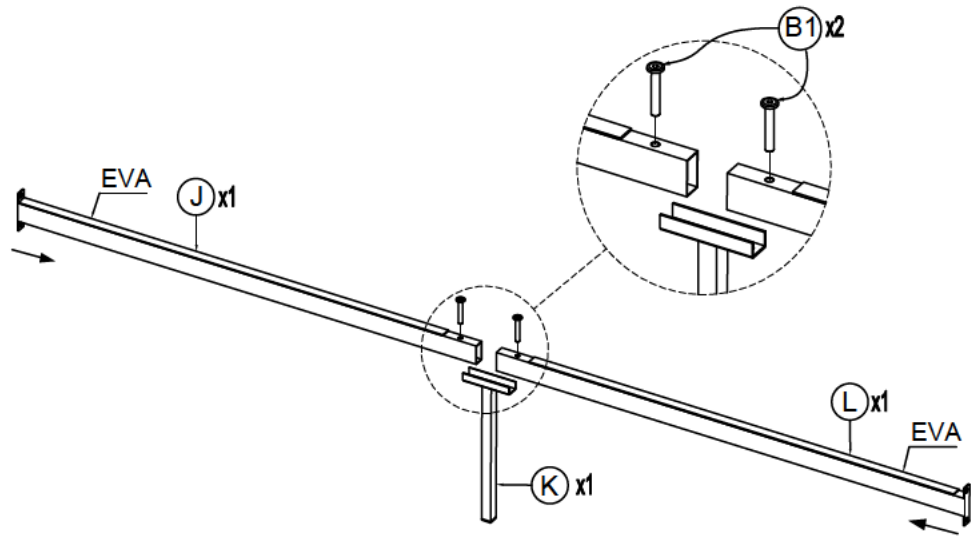
### STEP 6



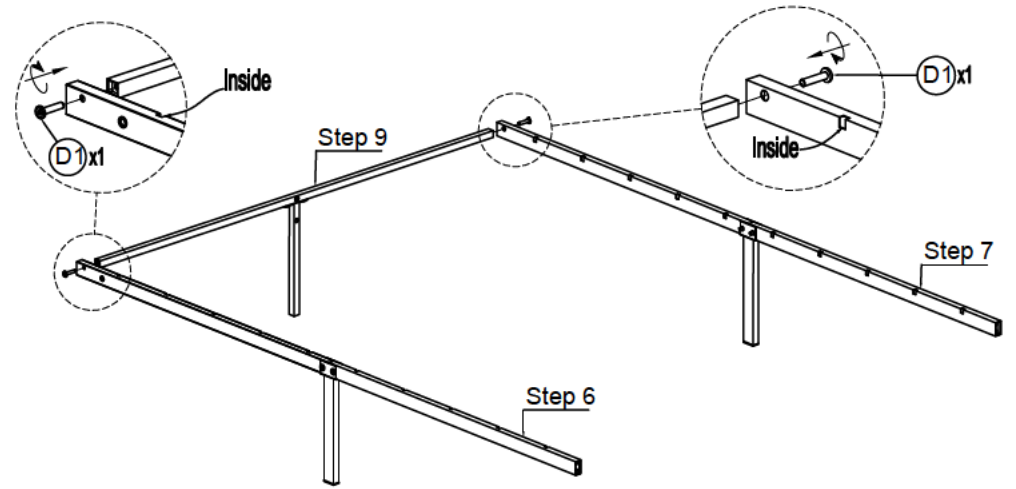
### STEP 7



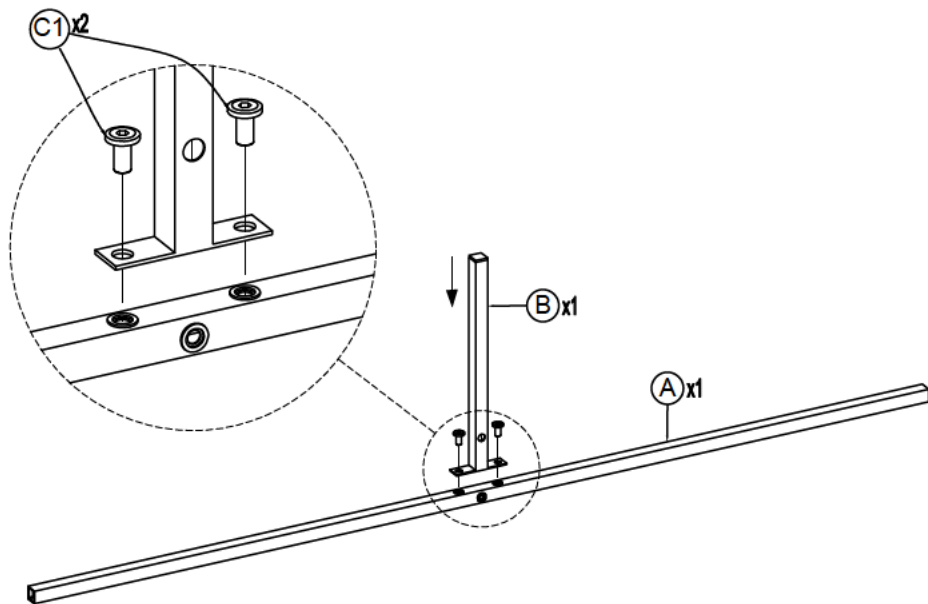
### STEP 8



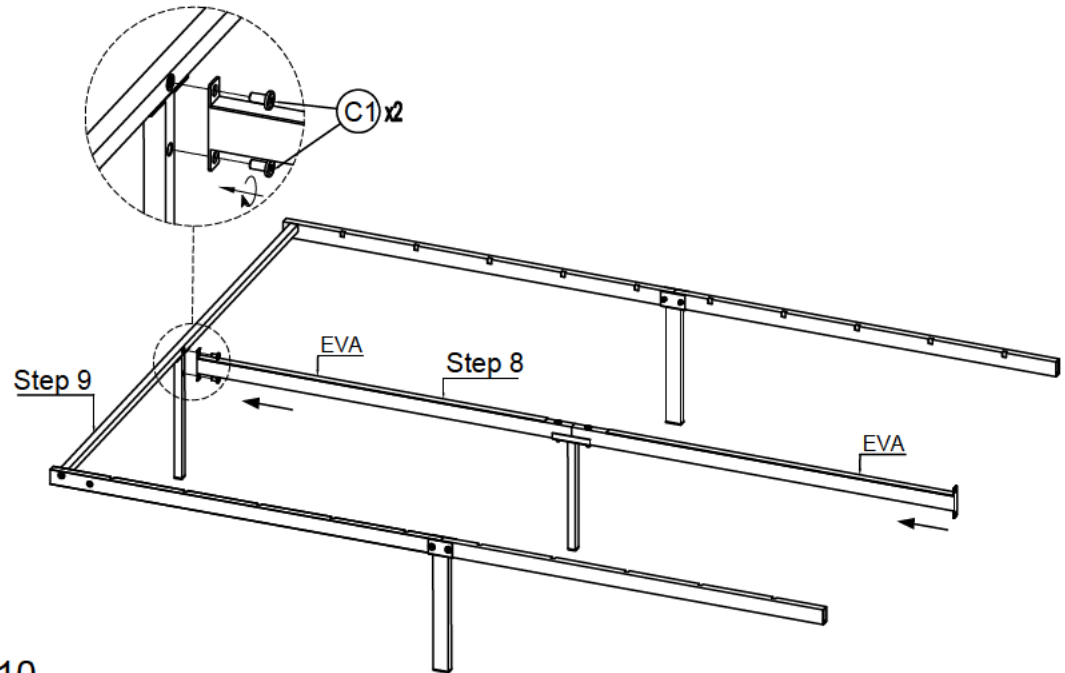
### STEP 10



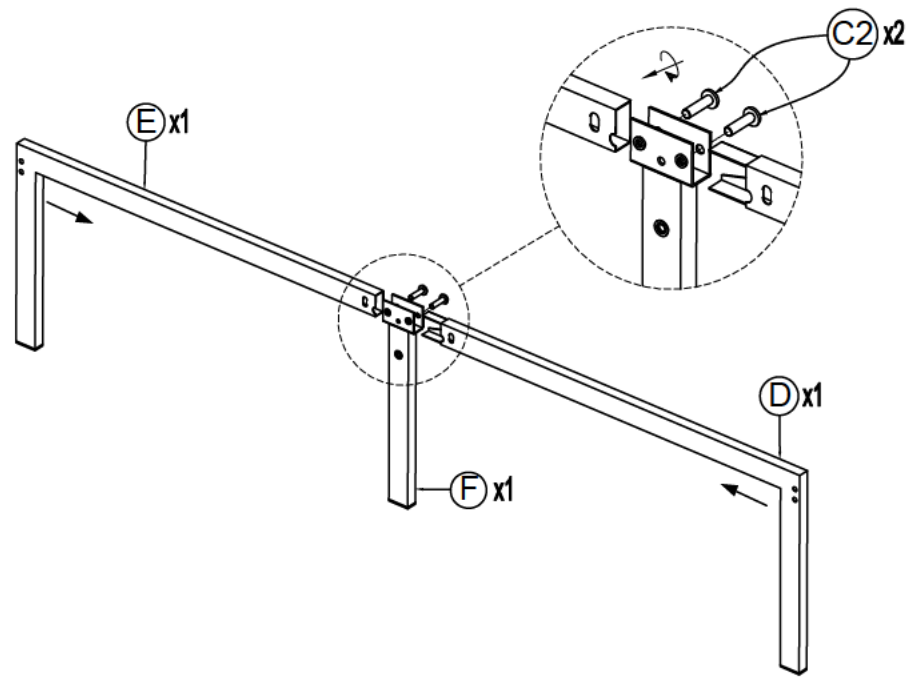
### STEP 9



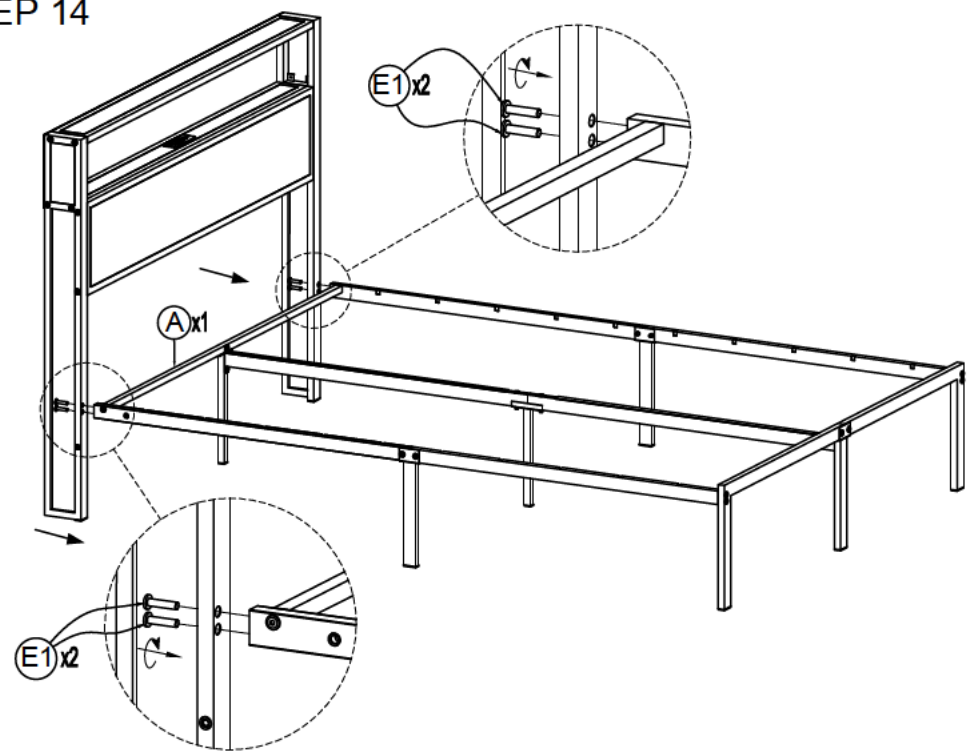
### STEP 11



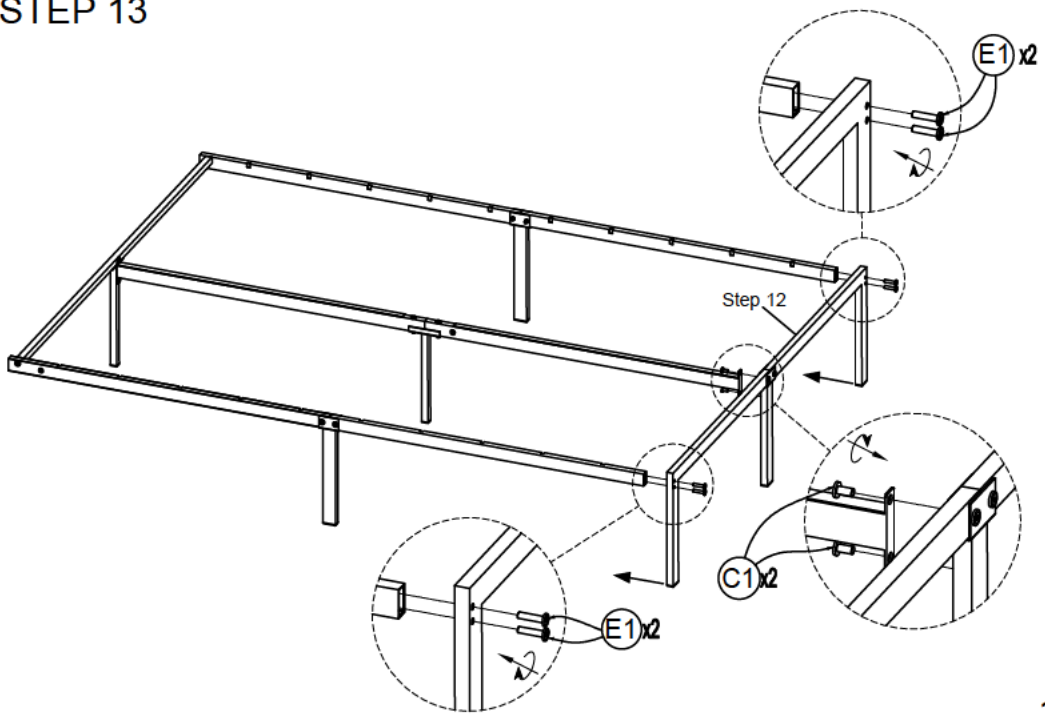
STEP 12



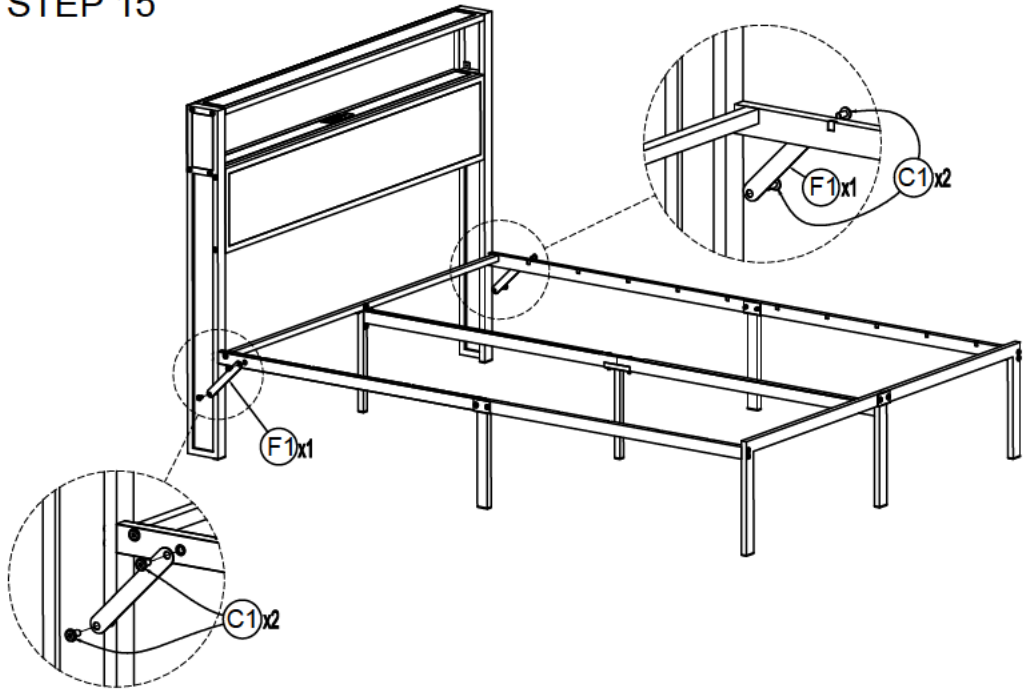
STEP 14



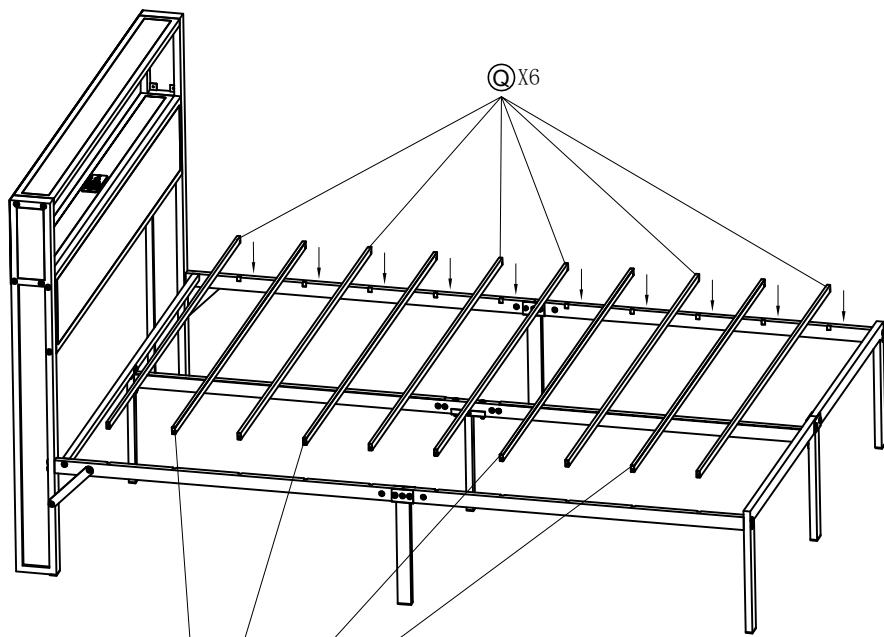
STEP 13



STEP 15



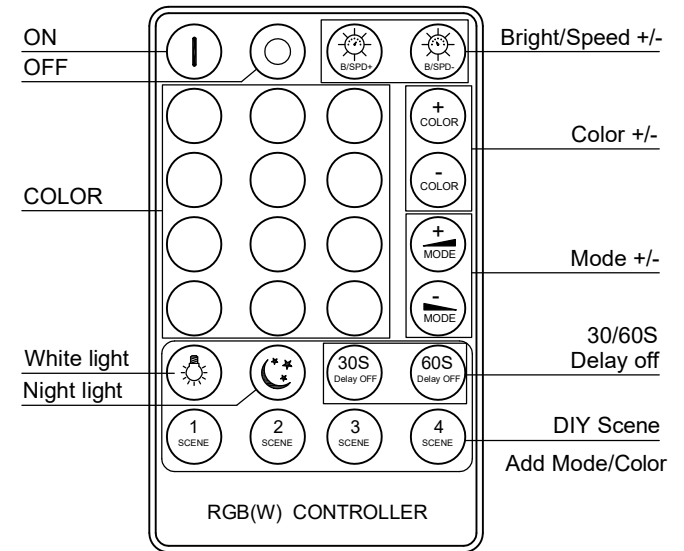
# STEP 16



P X4

Tear off the double-sided adhesive tape before place the mattress.

## RGB(W) CONTROLLER



NO.	Dynamic modes	NO.	Dynamic modes
1	W+Red	7	3 colors jump
2	W+Green	8	3 colors fade
3	W+Blue	9	7 colors jump
4	W+Yellow	10	7 colors fade
5	W+Purple	11	Full colors fade
6	W+Cyan		