

*ASSEMBLY INSTRUCTIONS*  
*COASTER FINE FURNITURE*



*Fine Furniture for every stage of life*

**223163FB**  
***Dresser***

ITEM: **223163FB**



## ASSEMBLY INSTRUCTIONS

### ASSEMBLY TIPS:

1. Remove hardware from box and sort by size.
2. Please check to see that all hardware and parts are present prior to start of assembly.
3. Please follow attached instructions in the same sequence as numbered to assure fast & easy assembly.



### WARNING!

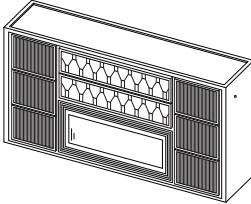

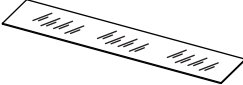



1. Don't attempt to repair or modify parts that are broken or defective. Please contact the store immediately.
2. This product is for home use only and not intended for commercial establishments.



ASSEMBLY TIME

15 MINUTES

## PARTS IDENTIFICATION

A	DRESSER		1PC
B	LEG		4PCS
C	GLASS TOP		1PC
D	CENTER LEG SUPPORT WITH LEVELER		1PC
E	ADAPTER		1PC
F	REMOTE CONTROL		1PC

### NOTE:

Phillips head screw driver is required in the assembly process; however, manufacturer does not provide this item.

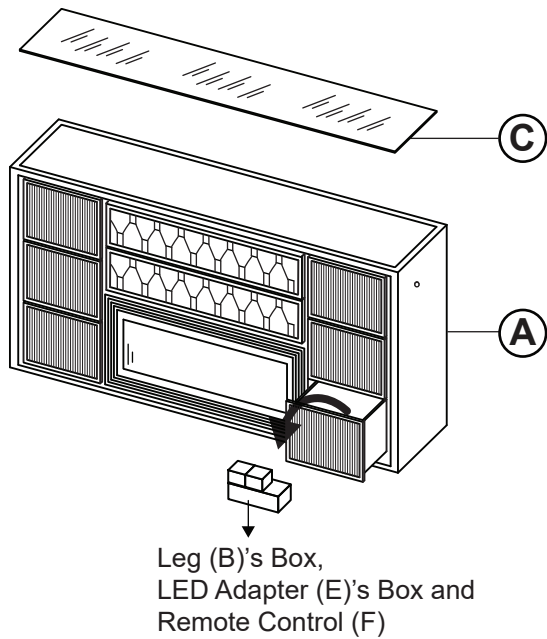
ITEM: **223163FB**



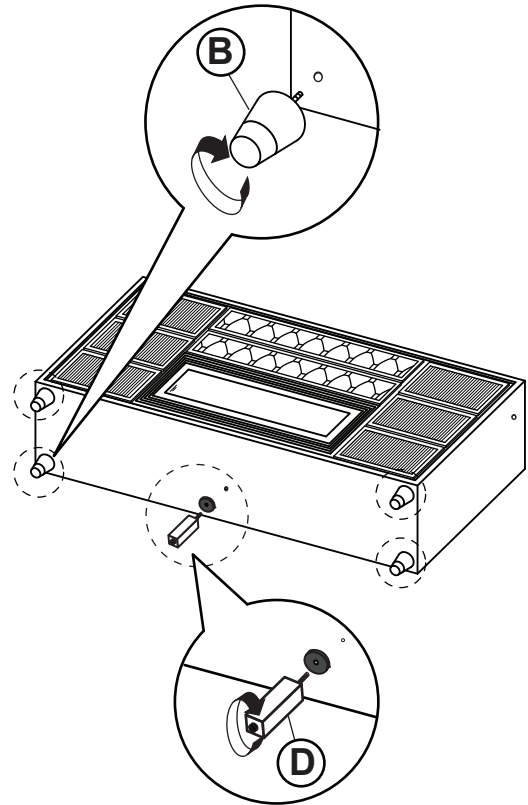
## ASSEMBLY INSTRUCTIONS

### STEP 1

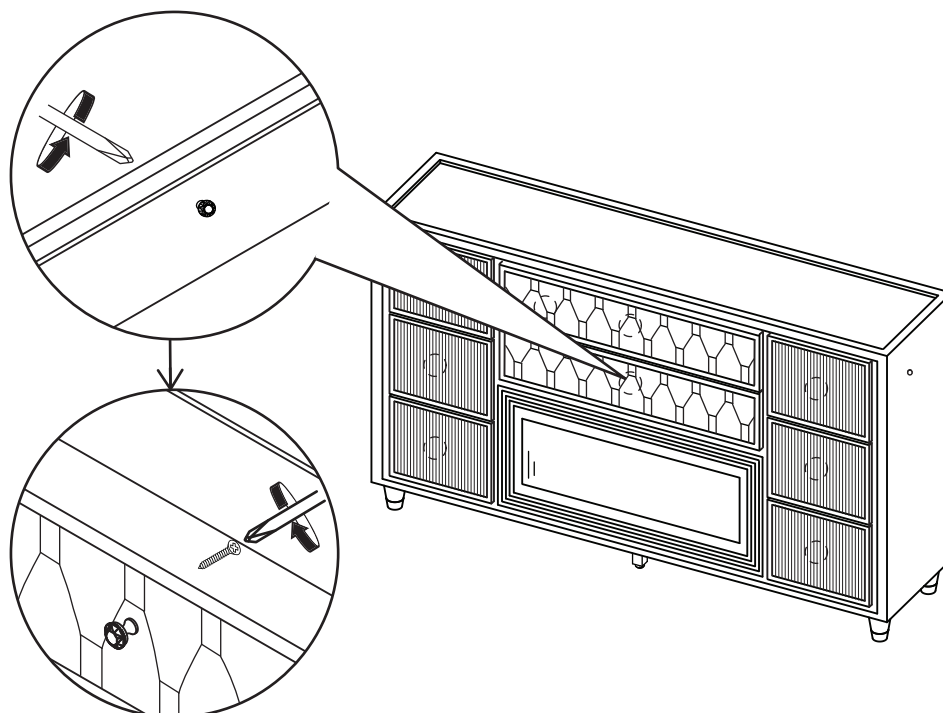
Lift the Glass-Top (C) gently and carefully place it at safe area before assembly begin.



### STEP 2



### STEP 3



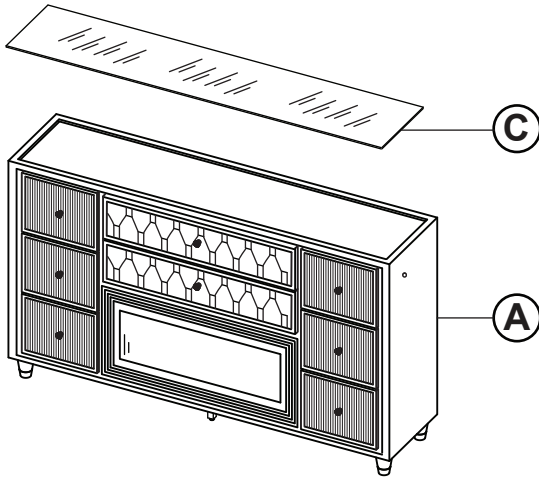
ITEM: **223163FB**



## ASSEMBLY INSTRUCTIONS

### STEP 4

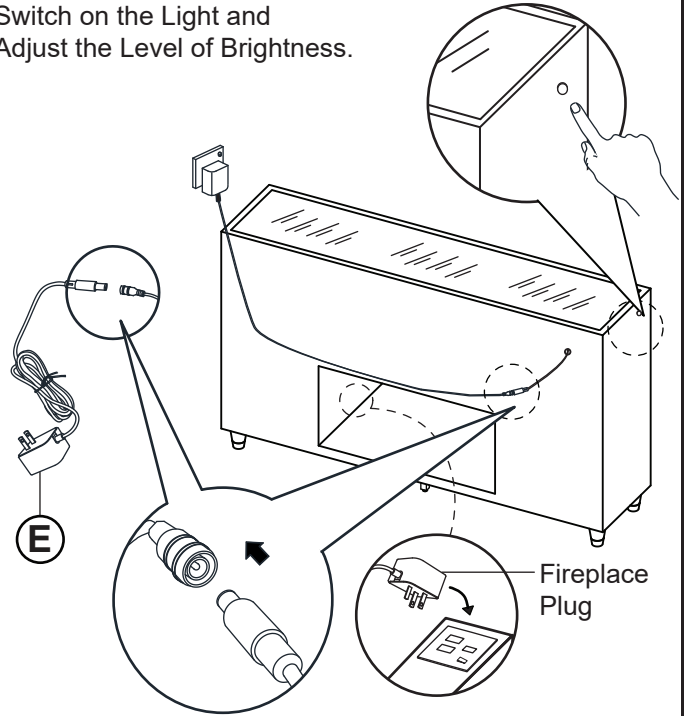
Place the Glass Top (C) to the top surface of Dresser (A).



### STEP 5

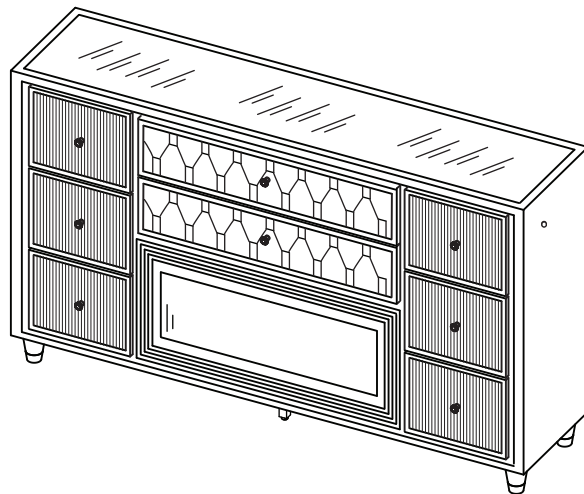
NOTE:

Touch the Sensor to Switch on the Light and Adjust the Level of Brightness.



### STEP 6

**COMPLETE**



## ANTI-TIPPING INSTALLMENT INSTRUCTIONS

### FURNITURE TIPPING RESTRAINT

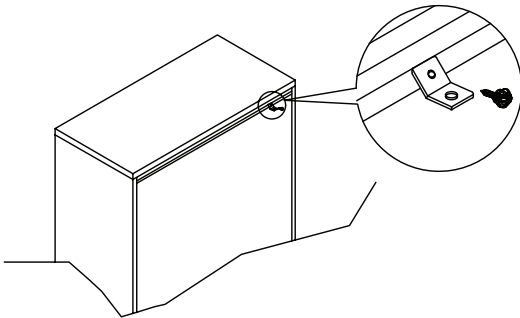
#### WARNING

Injury may result from tipping furniture.  
This restraint may protect against tipping furniture.  
Do not allow children to climb on furniture.  
This restraint is not a substitute for proper adult supervision.  
Failure to detach this restraint before moving the furniture may result in injury and damage.

This restraint must be screwed to a wood stud on the wall, using the long screw provided.

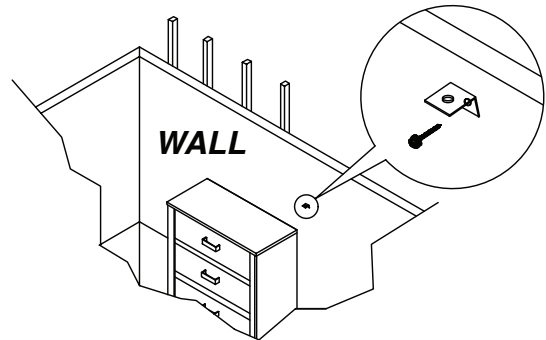
#### **STEP 1**

Secure the bracket to the back top of the unit, using the short screw provided, as shown in the drawing.



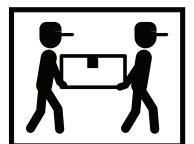
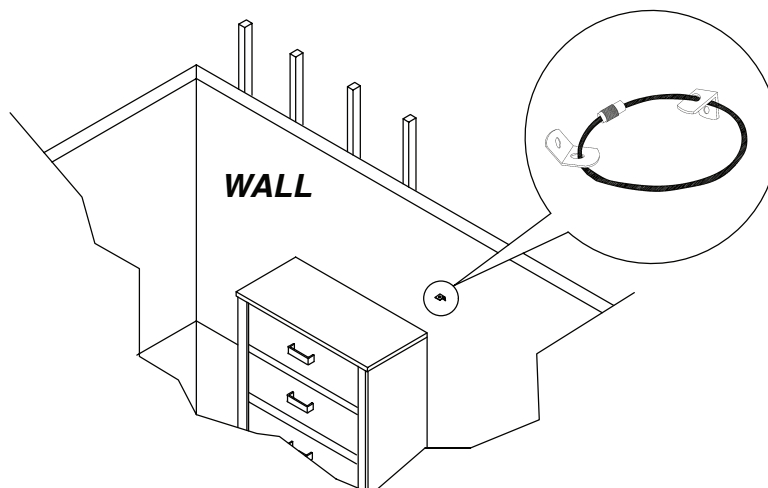
#### **STEP 2**

Locate the wood stud on the wall and secure the other bracket 2 inches below the back of the unit, using the long screw.



#### **STEP 3**

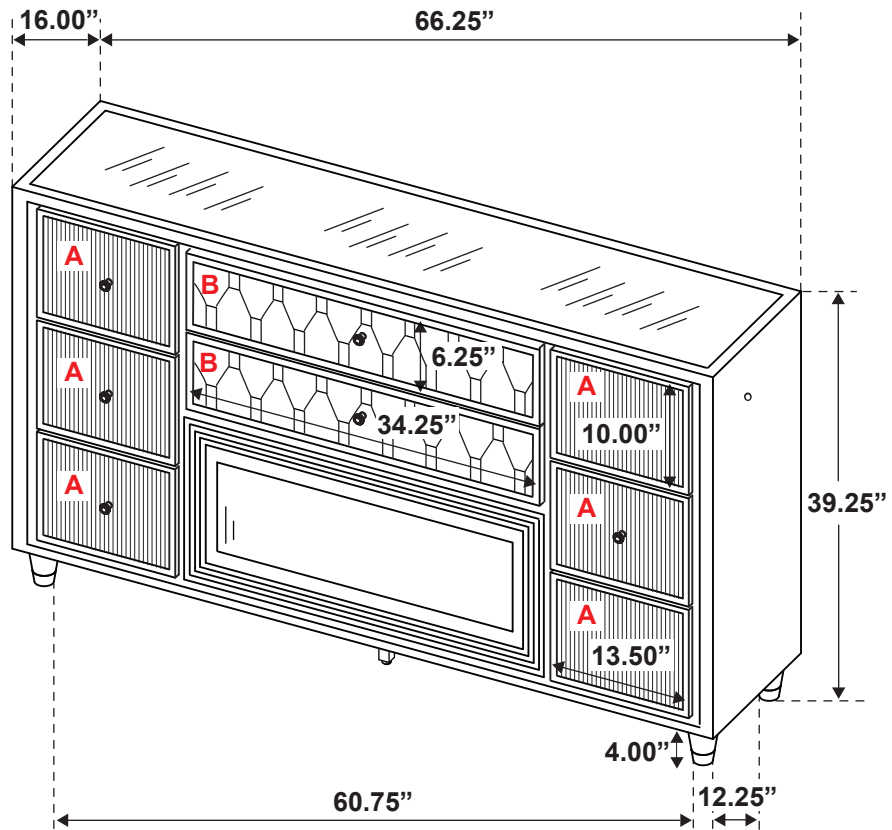
Place the furniture into position so both mounting brackets are vertically in line. Lace the threaded end of the restraint strap through the hole in each mounting bracket. Bring both ends together and rotate the thumb nut onto the threaded end until tight. Ensure that the restraint strap is securely laced and locked.



ITEM: **223163FB**



Inner Size of Drawer A: 11.75"W x 12.50"D x 5.25"H x 0.25"T  
Inner Size of Drawer B: 31.75"W x 12.50"D x 4.25"H x 0.25"T



Note: Dimension tolerance  $\pm 5\%$

*ASSEMBLY INSTRUCTIONS*  
*COASTER FINE FURNITURE*



*Fine Furniture for every stage of life*

**223164**  
**Mirror**

ITEM: **223164**



## ASSEMBLY INSTRUCTIONS

### ASSEMBLY TIPS:

1. Remove hardware from box and sort by size.
2. Please check to see that all hardware and parts are present prior to start of assembly.
3. Please follow attached instructions in the same sequence as numbered to assure fast & easy assembly.



### WARNING!



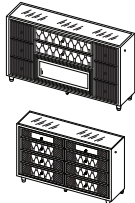

1. Don't attempt to repair or modify parts that are broken or defective. Please contact the store immediately.
2. This product is for home use only and not intended for commercial establishments.







ASSEMBLY TIME

15 MINUTES

## PARTS IDENTIFICATION

A	MIRROR		1PC
B	MIRROR SUPPORT (PACKED WITH MIRROR)		2PCS
C	DRESSER *FROM BOX ITEM #223163FB or DRESSER *FROM BOX ITEM #223163		1PC
D	ADAPTER		1PC

## HARDWARE IDENTIFICATION

1	ALLEN WRENCH (Φ4 X 95mm - ZINC)		1PC
2	BOLT (Φ6 X 35mm - BLK)		8PCS
3	LOCK WASHER (Φ6 - BLK)		8PCS
4	FLAT WASHER (Φ7 X 19mm X 2.0 - BLK)		8PCS

### NOTE:

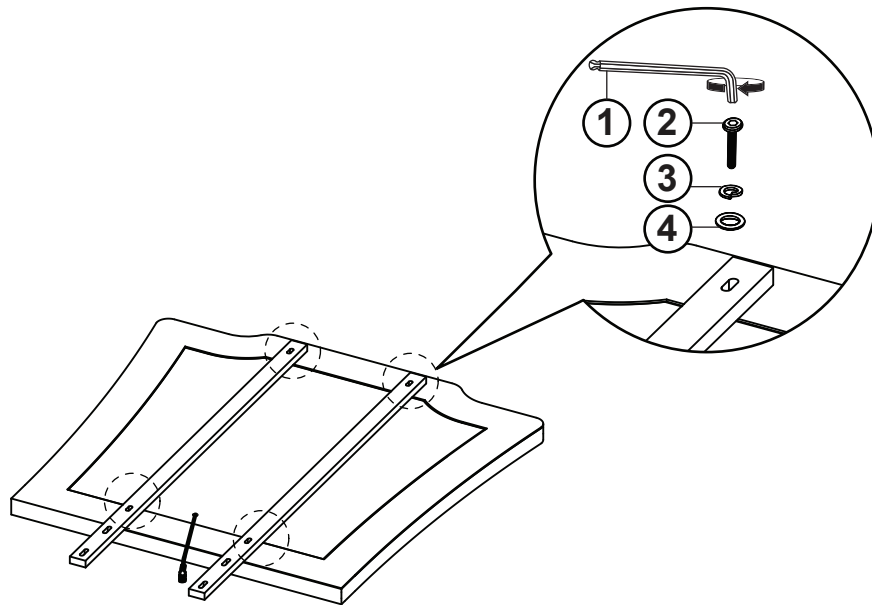
Phillips head screw driver is required in the assembly process; however, manufacturer does not provide this item.

ITEM: **223164**

**ASSEMBLY INSTRUCTIONS**

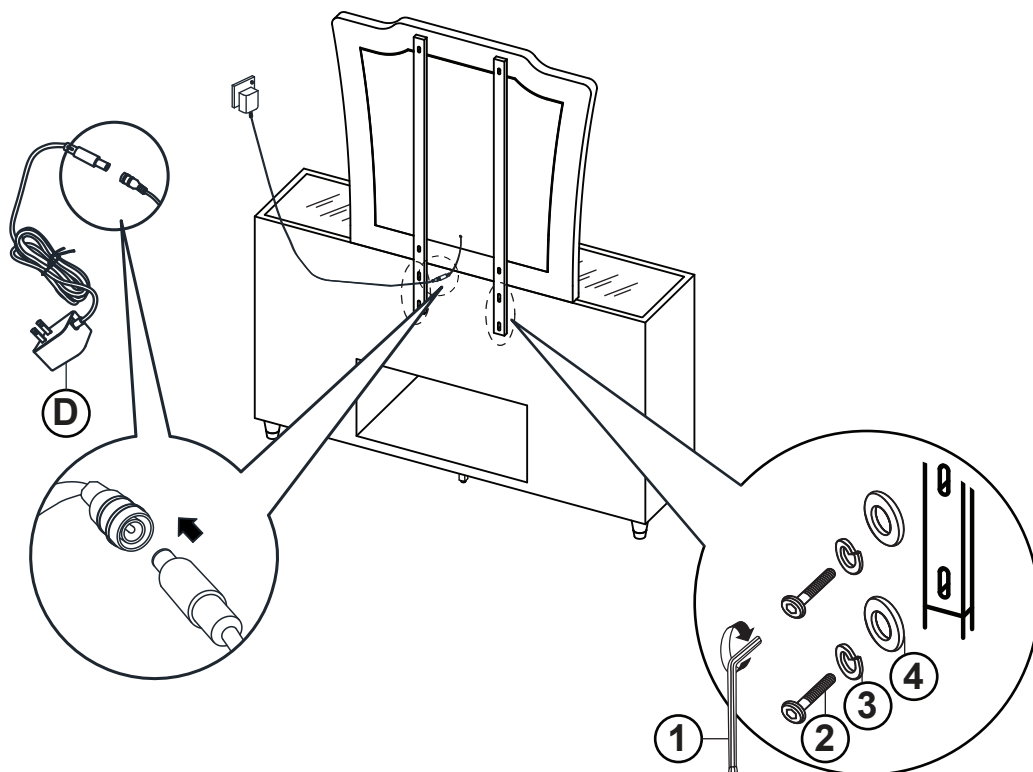


**STEP 1**



\*Back View

**STEP 2**

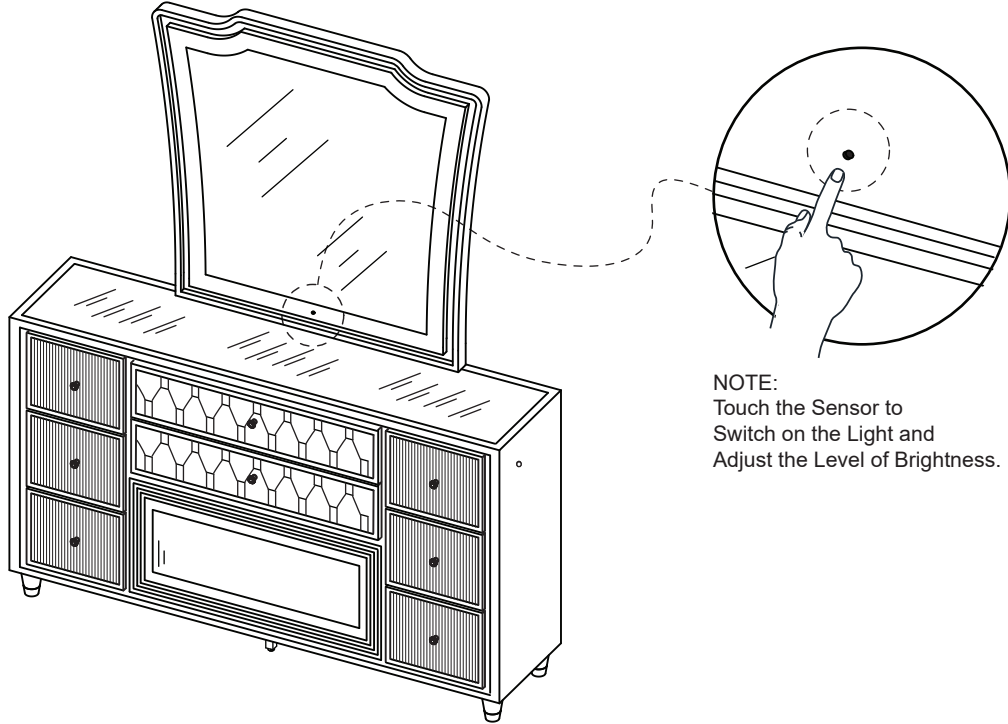


ITEM: **223164**



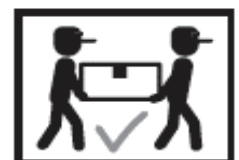
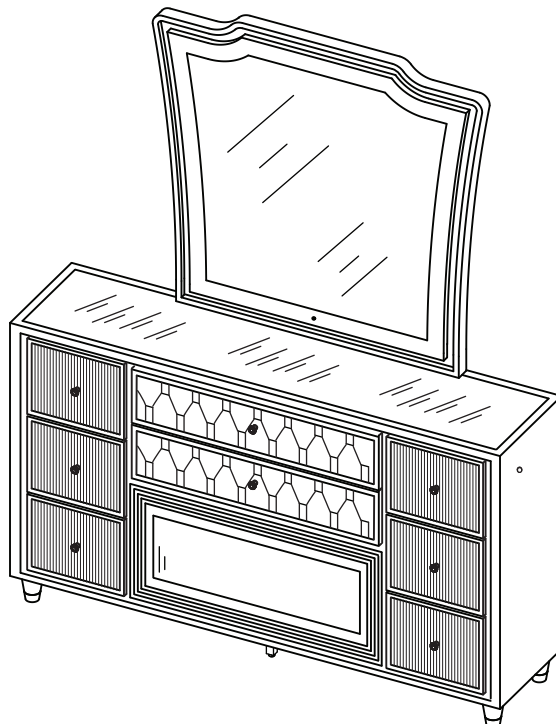
**ASSEMBLY INSTRUCTIONS**

**STEP 3**

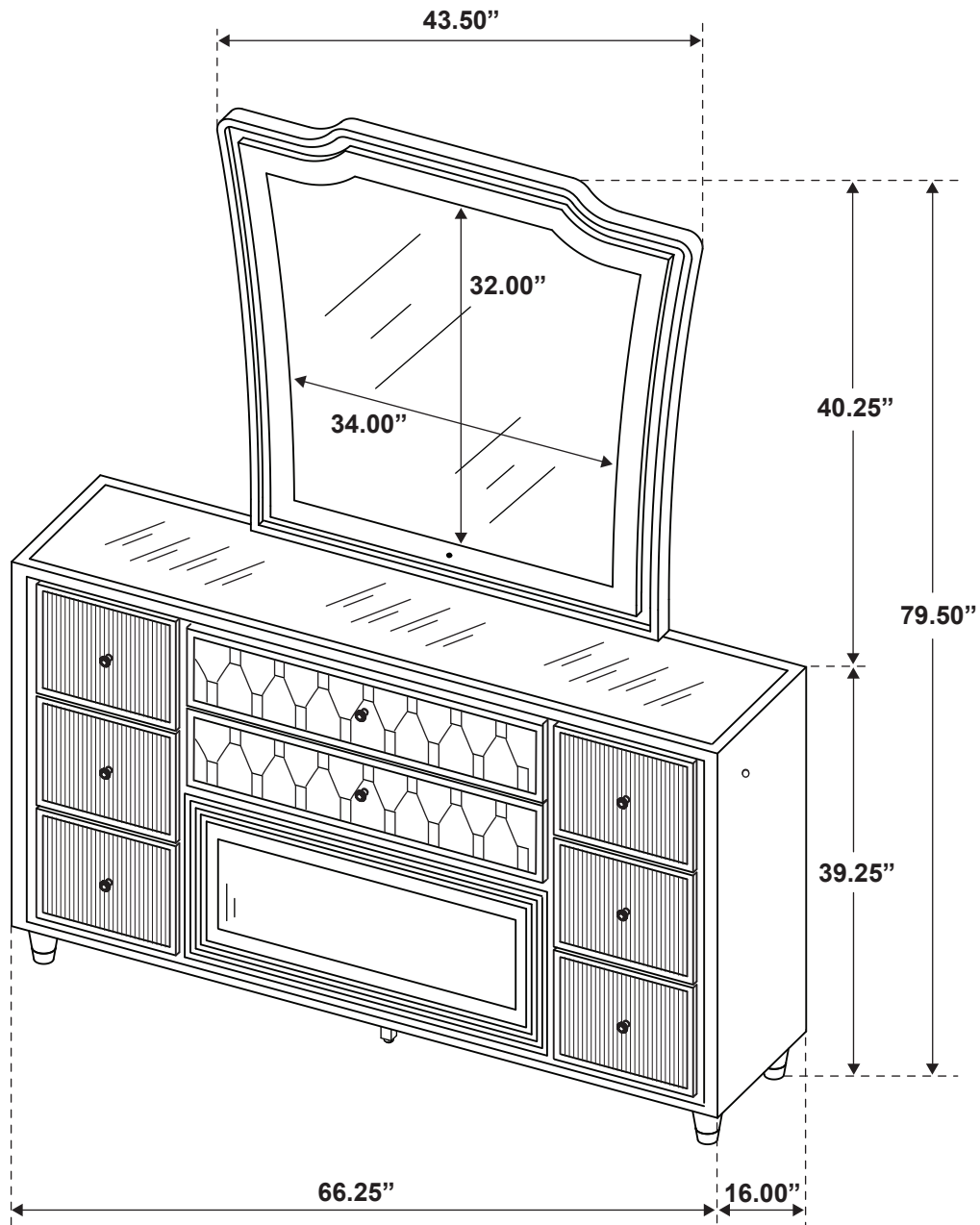


**NOTE:**  
Touch the Sensor to  
Switch on the Light and  
Adjust the Level of Brightness.

**STEP 4**  
**COMPLETE**



ITEM: **223164**



Note: Dimension tolerance  $\pm 5\%$