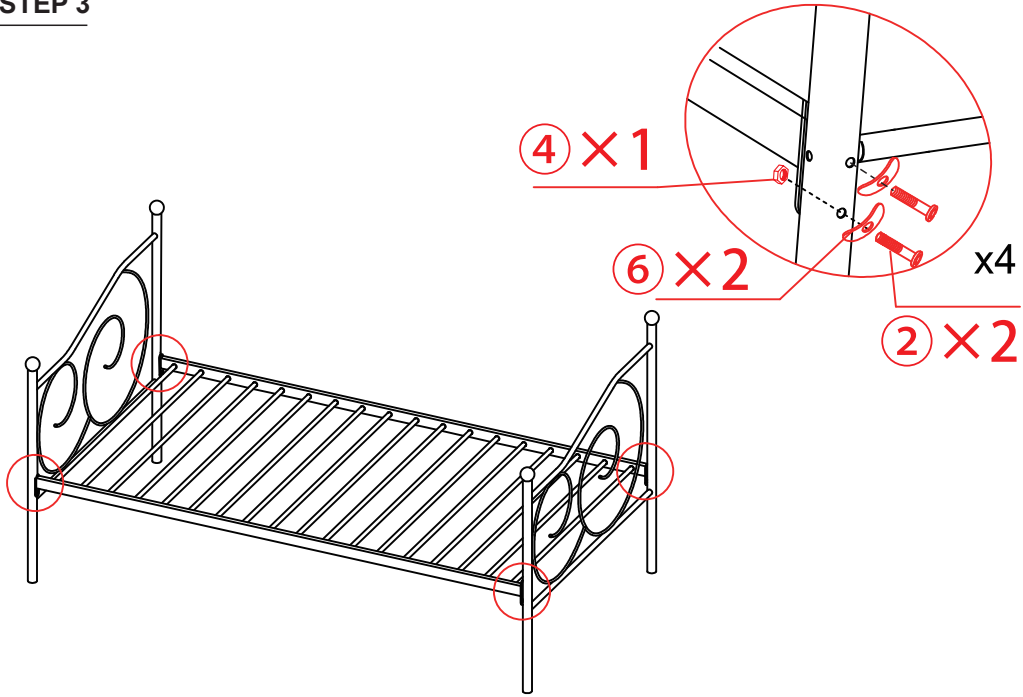
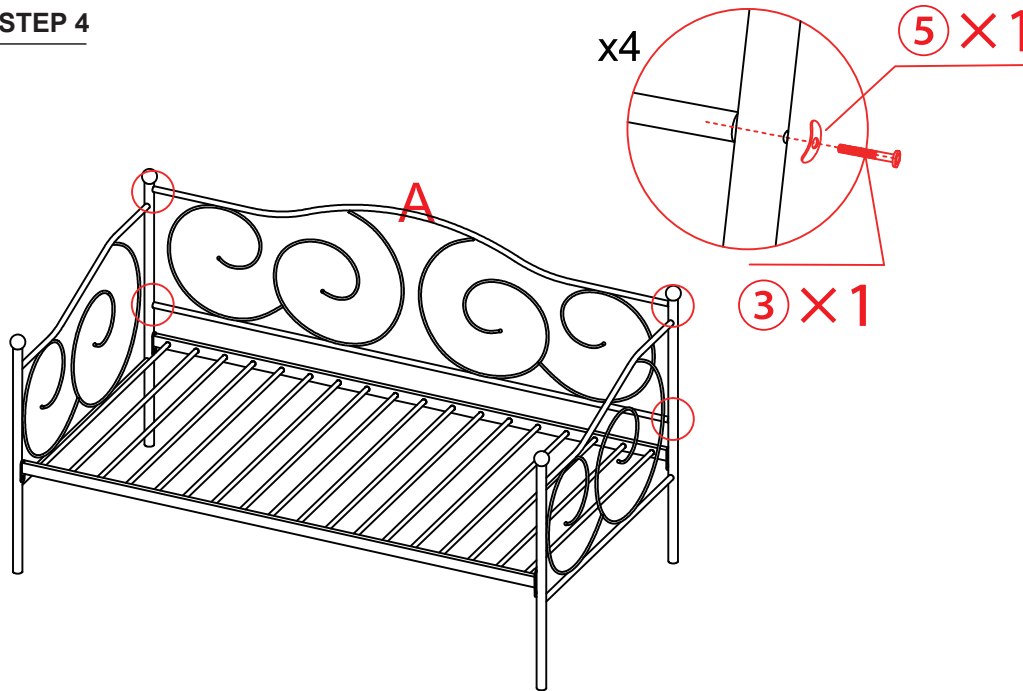


STEP 3



STEP 4



Assembly Instruction









00:50








Approx. 50 minutes

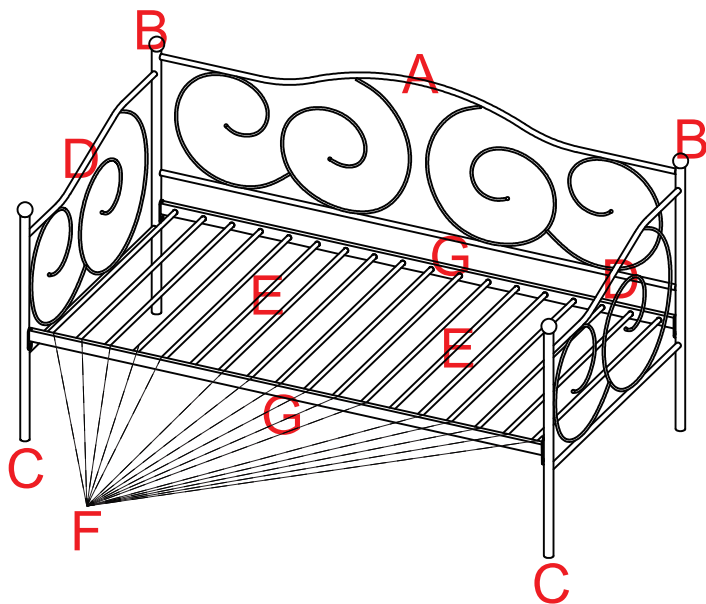


Recomm. 2 Person



No	Hardware List	Qty
①	M6×15 Screw 	4pcs
②	M8×45 Screw 	8pcs
③	M6×45 Screw 	12pcs
④	M8 Nut 	4pcs
⑤	Small Washer 	12pcs
⑥	Big Washer 	8pcs
⑦	M6 Wrench 	1pc
⑧	Open End Wrench 	1pc

No	Parts List	Qty
A	Back Rest 	1pc
B	Back Legs 	2pcs
C	Front Legs 	2pcs
D	Side Rack 	2pcs
E	Nut Round Tube 	2pcs
F	Round Tube 	16pcs
G	Support Bar 	2pcs

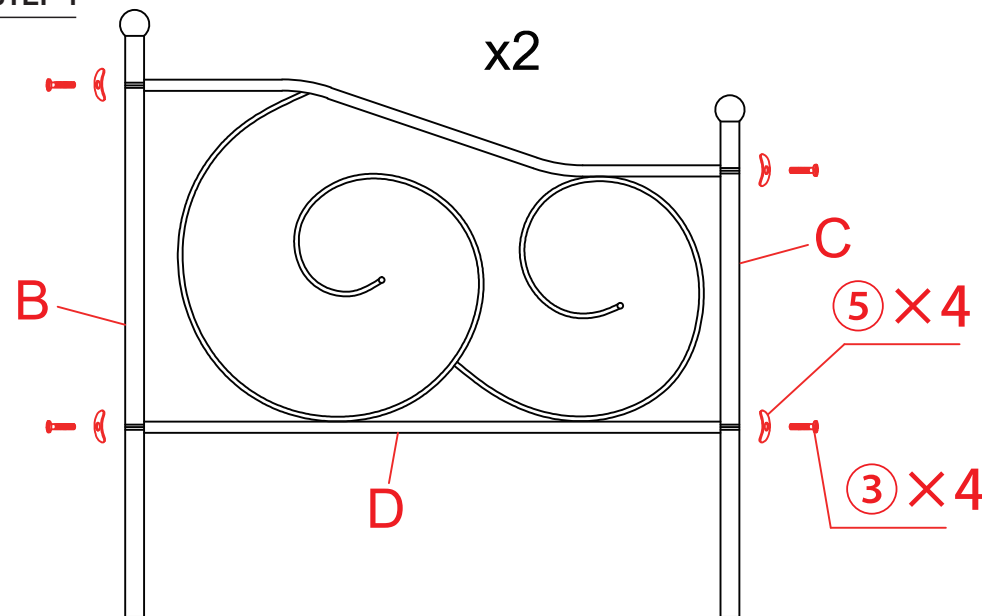


USEFUL HINTS BEFORE YOU START:

1. Read each step carefully before starting.
2. It is important that each step is performed in correct order to avoid difficulties.
3. Identify, sort and count the parts before assembly.
4. Assemble your furniture on packaging cardboard to prevent scratch or damage.
5. Clean the product with mild cleanser using soft damped cloth. Do not use harsh or abrasive cleanser.
6. Using incompatible hardware might cause damage to product.

NOTE: DO NOT TIGHTEN THE SCREWS UNTIL ALL PARTS ARE IN PLACE.

STEP 1



STEP 2

