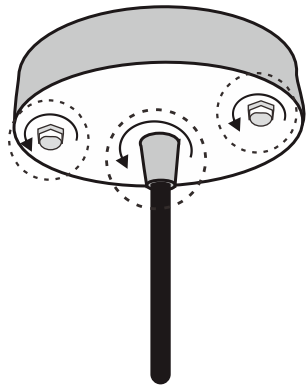
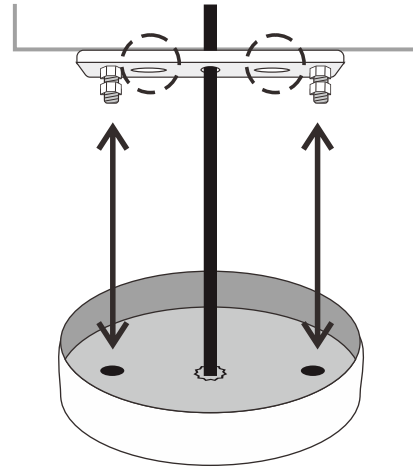


Assembly Instruction

1. Set the Cable & wire Up/Down and pull out bolt from cup



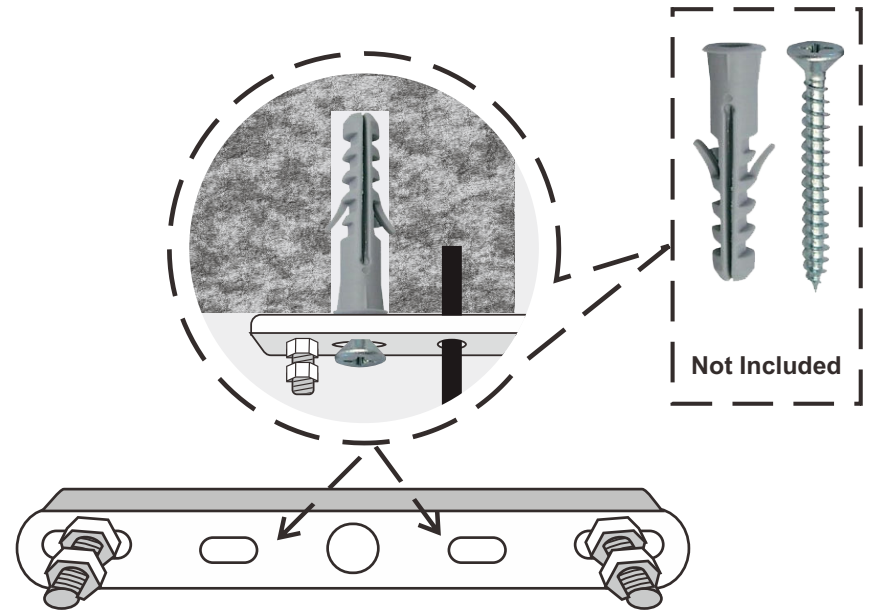
2. Point the ceiling to make a hole screw



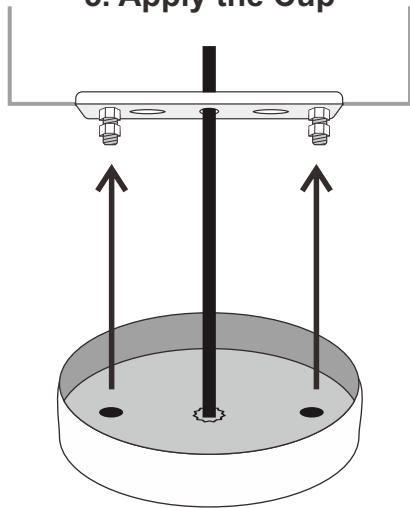
3. Drill the ceiling



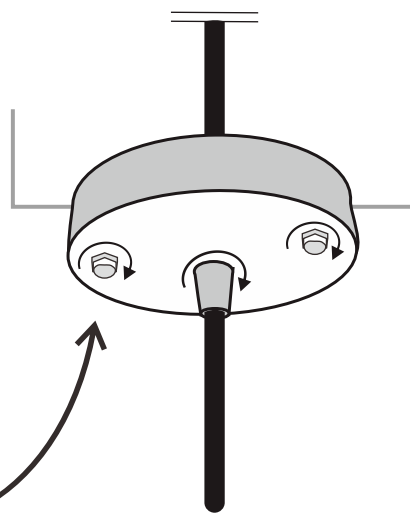
4. Screw plat to ceiling



5. Apply the Cup



6. Tighten nuts and lock cable



7.

