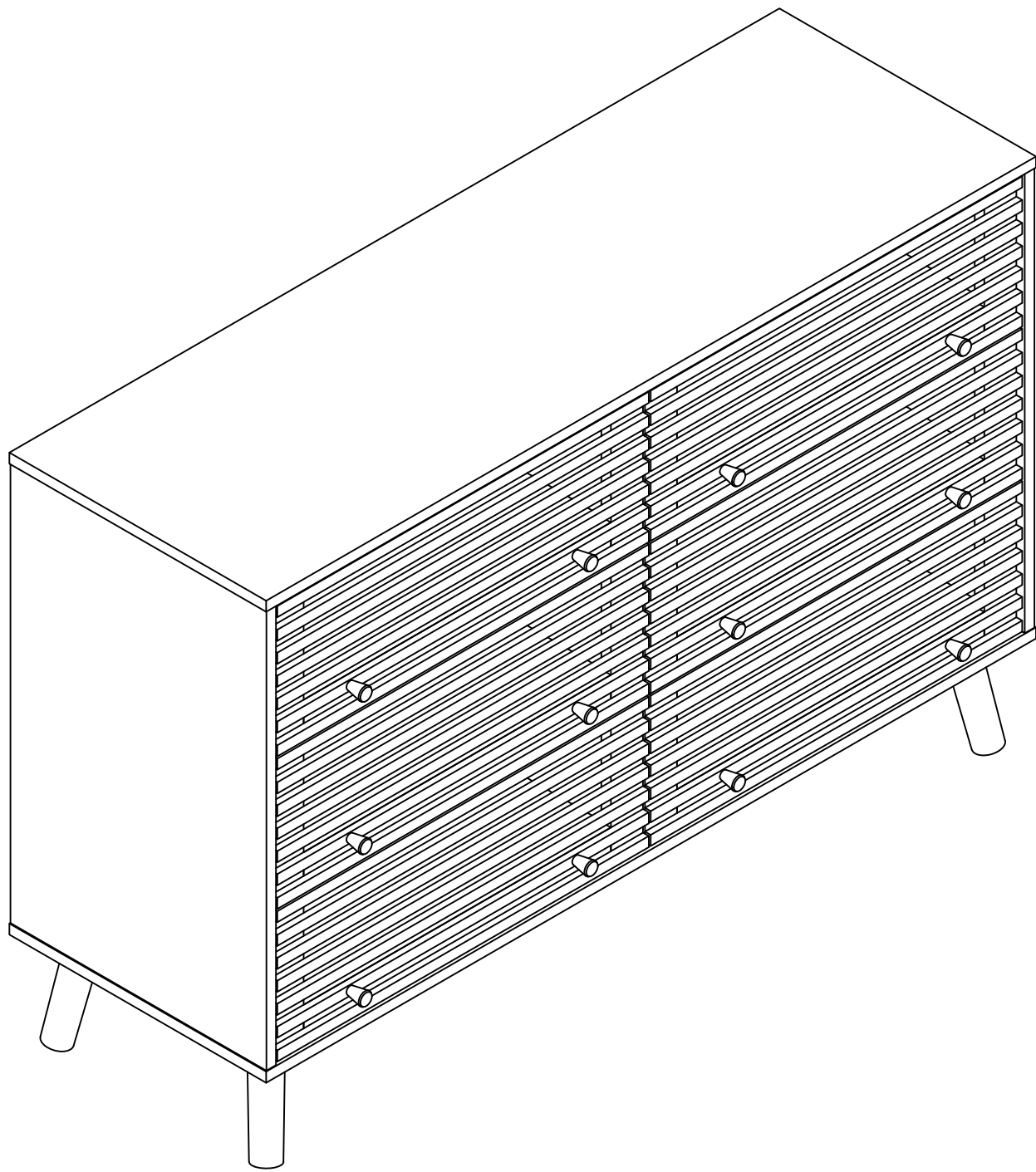


Storage Cabinet



Made in China

For a Hassle-Free Installation

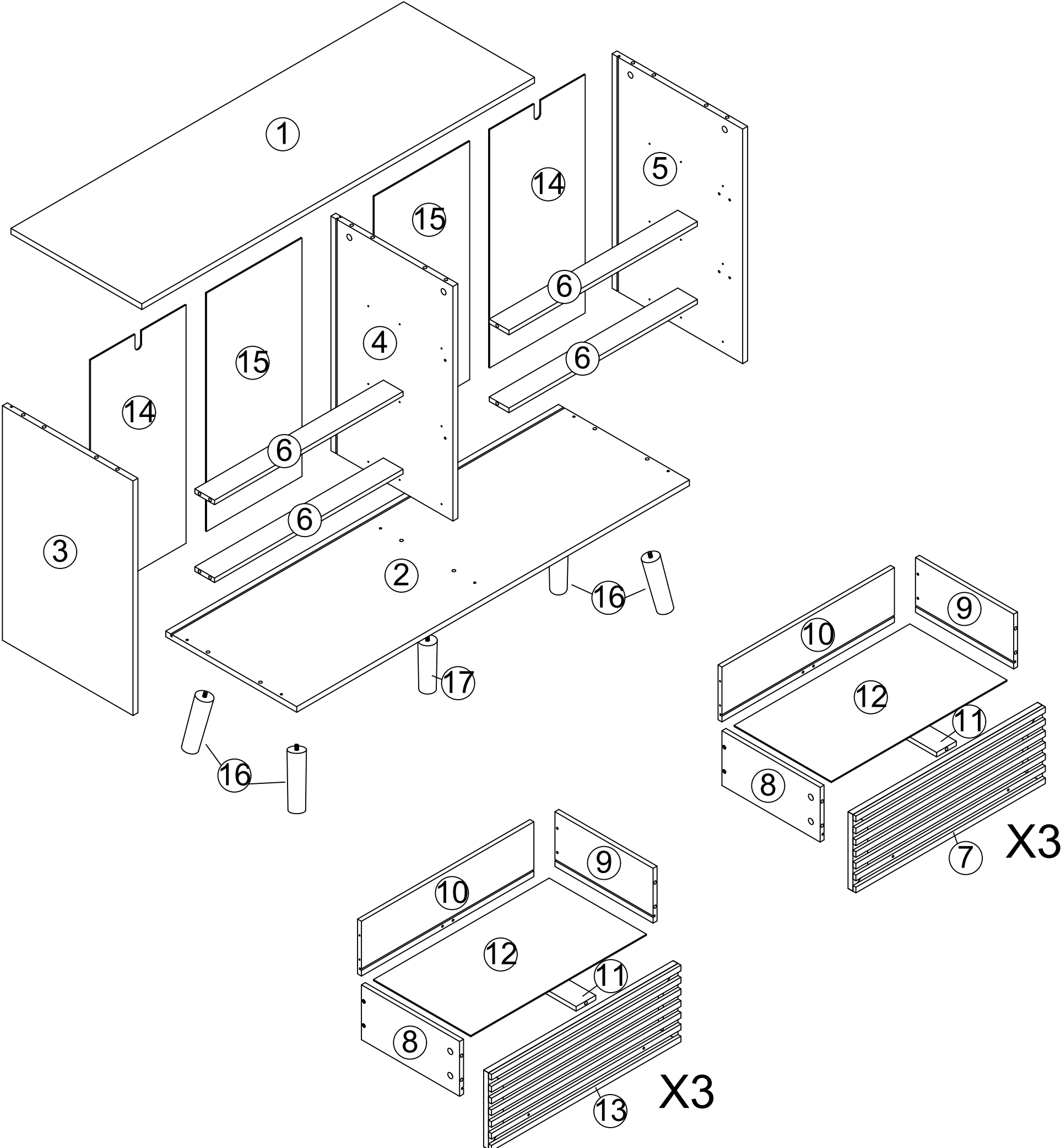
1. Ensure you have received all cartons and familiarize yourself with the workload. Make sure there are enough helping hands to assist you, and that you have allocated the time required to assemble your new product.
 2. Make sure you have cleared enough space in your home for the assembly. We recommend protecting your floor with a mat or cardboard to avoid scratches during the assembly process.
 3. Read instructions carefully and check no parts are missing.
 4. Lay out all hardware on a soft surface so you can easily identify them.
 5. Carefully identify all components according to the labeled alphabet to ensure that the parts are in the correct place.
 6. Install your new product carefully following the instructions. Don't skip ahead!
- * If any parts are missing or damaged, we will gladly ship you replacement parts free of charge. Please contact us order ID and the Store Name of your purchase, we're always here to help :)

WARNING

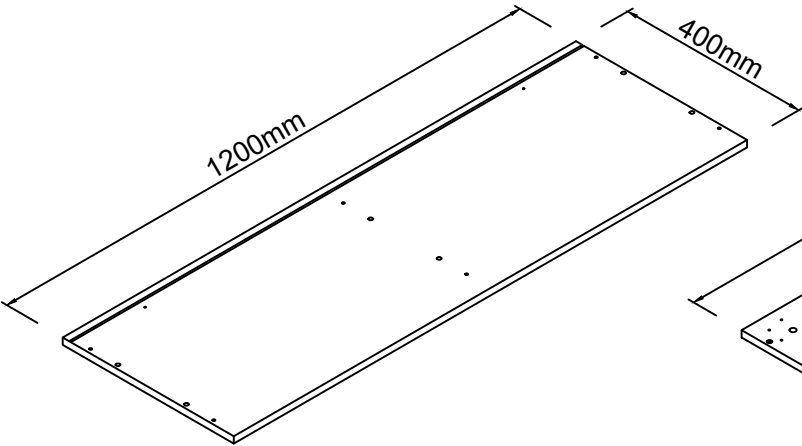
Serious or fatal injury may occur from unexpected assembly or use.

1. During the assembly process, keep all parts away from babies or children.
2. Always securely fix this product to the wall. Make sure the wall area to be drilled is free from hidden electrical wires, water and gas pipes.
3. Use of tip-over restraints may only reduce, but not eliminate the risk of tip-over.
4. Unless specially designed to accommodate, do not set heavy objects on top of this product.
5. Place the heaviest items on the lowest shelf.
6. Never allow children to climb or bang on drawers, doors or shelves.

Parts List

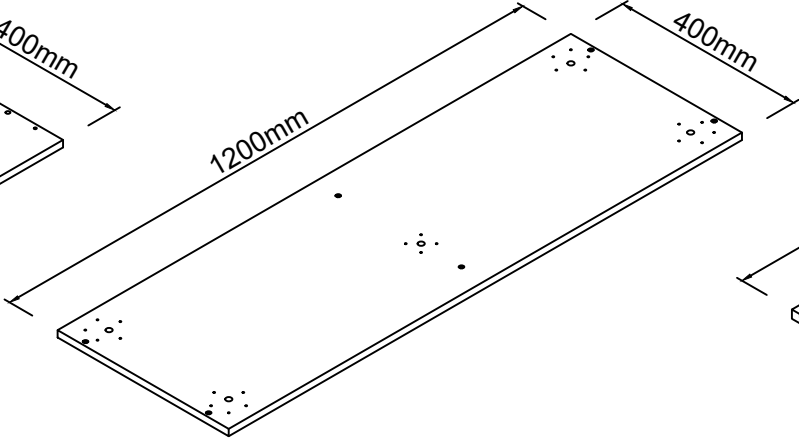


Parts List



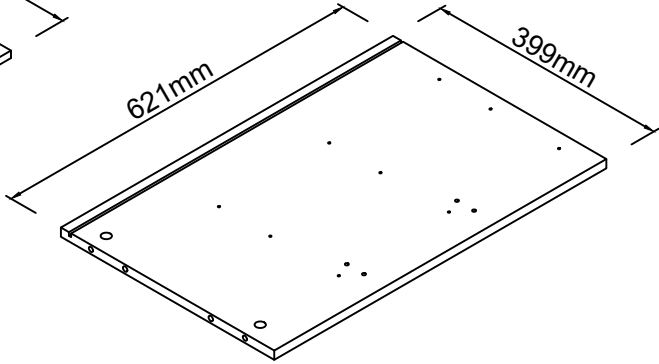
①

Qty:1



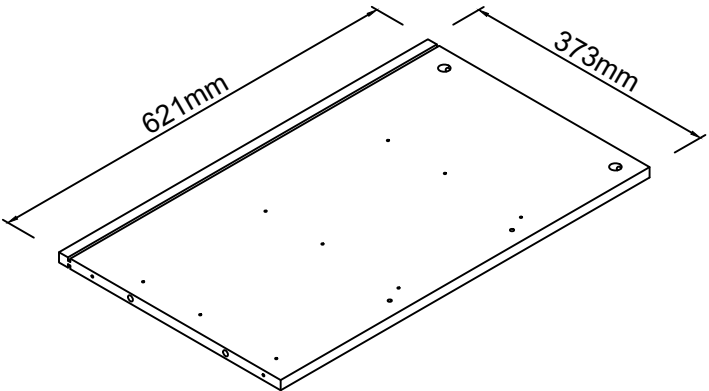
②

Qty:1



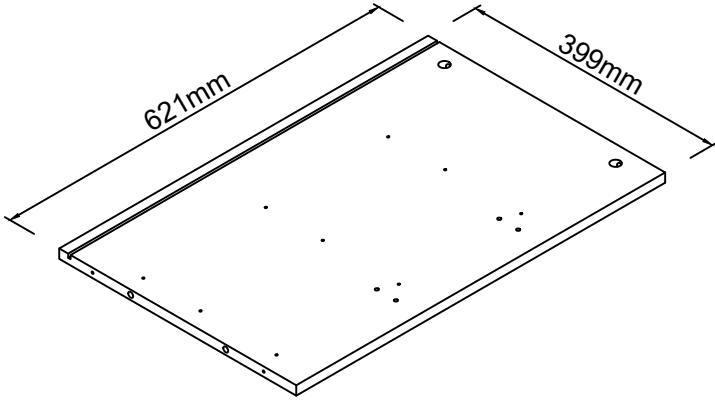
③

Qty:1



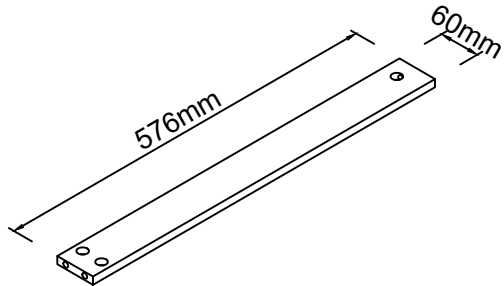
④

Qty:1



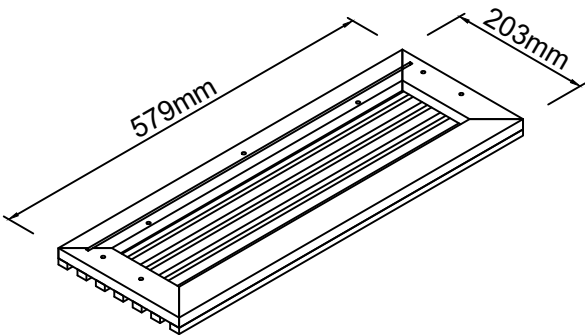
⑤

Qty:1



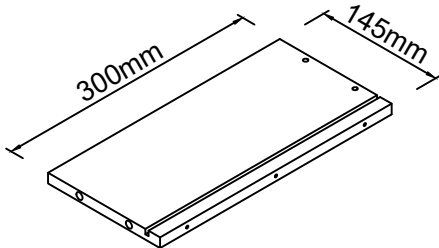
⑥

Qty:4



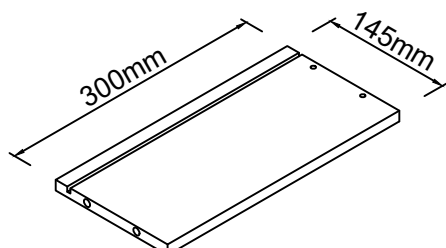
⑦

Qty:3



⑧

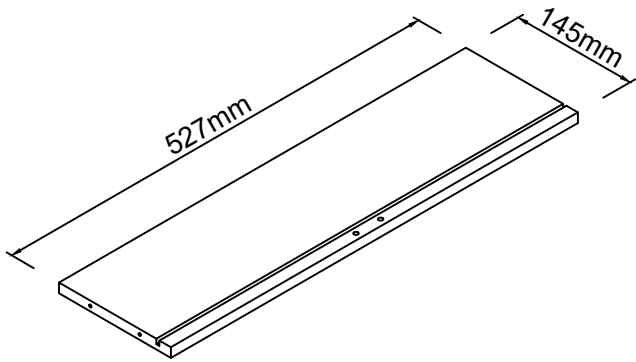
Qty:6



⑨

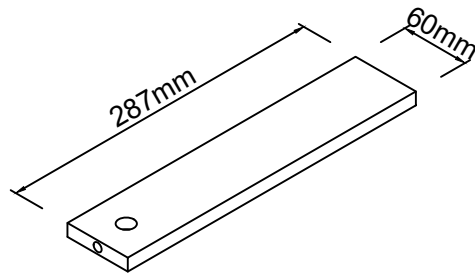
Qty:6

Parts List



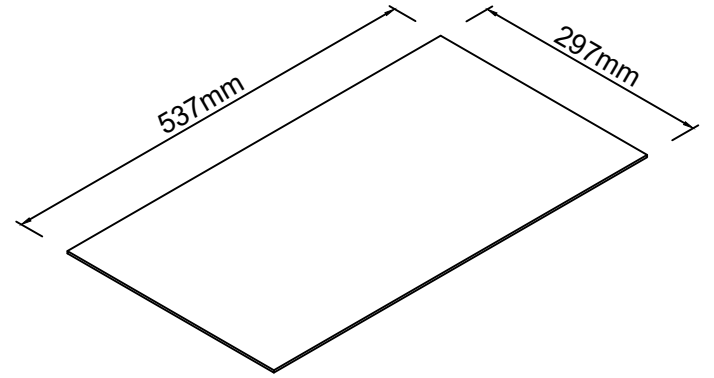
⑩

Qty:6



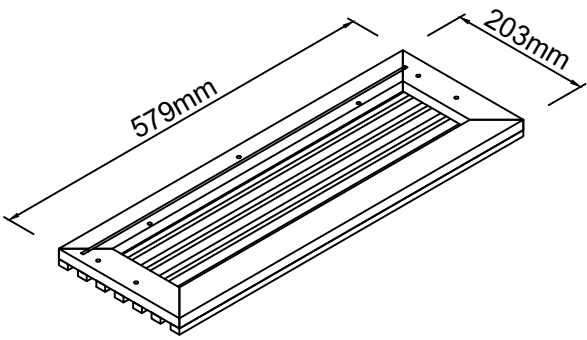
⑪

Qty:6



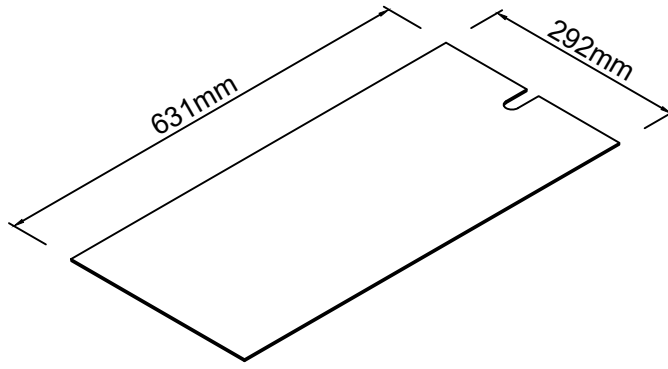
⑫

Qty:6



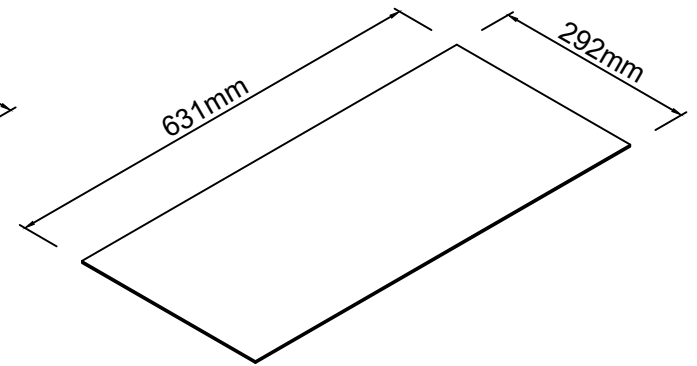
⑬

Qty:3



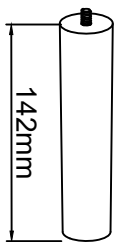
⑭

Qty:2



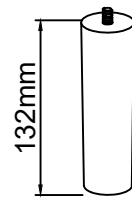
⑮

Qty:2



⑯

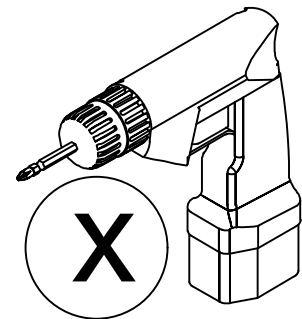
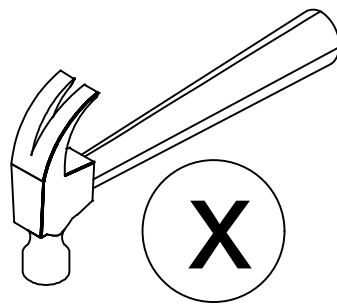
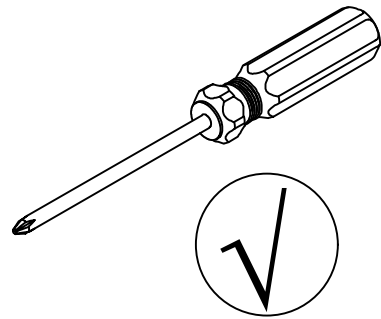
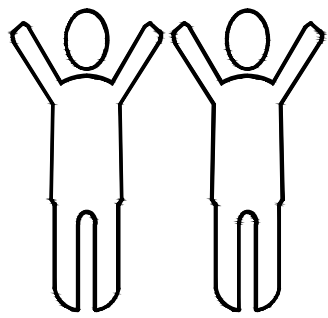
Qty:4




⑰

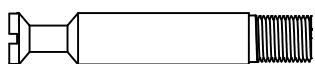
Qty:1

Hardware List

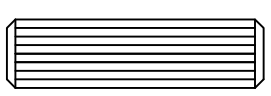


	
Ø15X9.5mm	
(A)	X48

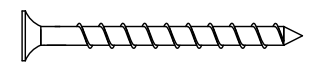
CAM LOCK
spare:3

	
Ø6.5X35mm	
(B)	X48

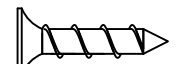
CAM BOLT
spare:3

	
Ø8X30mm	
(C)	X12


WOOD DOWEL
spare:1

	
Ø4X35mm	
(D)	X36


SCREW
spare:3

	
Ø3.5X14mm	
(E)	X72


SCREW
spare:3

	
Ø4X14mm	
(F)	X24

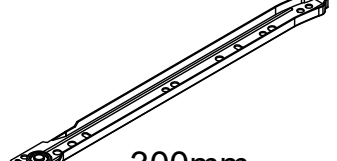
SCREW
spare:2

	
Ø4X30mm	
(G)	X12

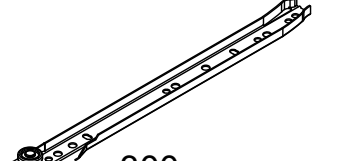
SCREW
spare:1

	
Ø20 (Ø12) X23H	
(H)	X12

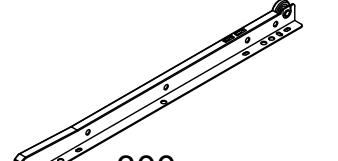
HANDLE

	
300mm	
I-CL	X6

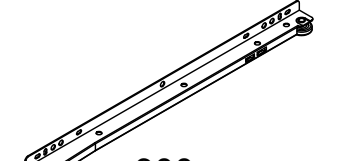
LEFT CABINET MEMBER

	
300mm	
I-CR	X6

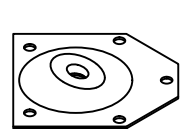
RIGHT CABINET MEMBER

	
300mm	
I-DL	X6

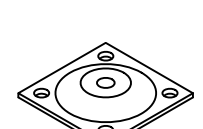
LEFT DRAWER RUNNER

	
300mm	
I-DR	X6

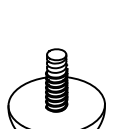
RIGHT DRAWER RUNNER

	
70X67X12mm	
(J)	X4


IRON SHEETS

	
49X49mm	
(K)	X1

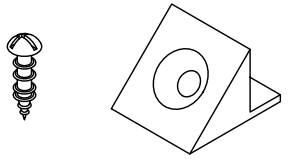
IRON SHEETS

	
Ø20X21mm	
(L)	X1

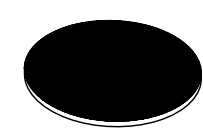
ADJUST THE LEGS

	
620X12X6.5mm	
(M)	X2

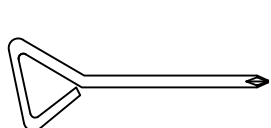
CARD STRIPS

	
Ø3X14mm	
(N)	X14

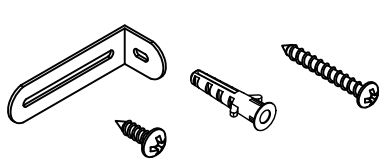
BACK PLATE BUCKLE
spare:1

	
Ø21mm	
(O)	X18

PERFECT STICKER
spare:1

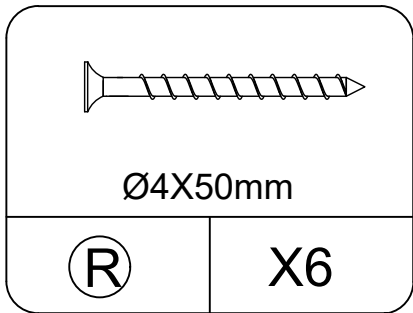
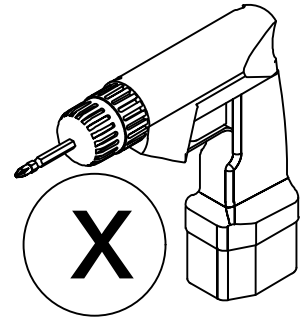
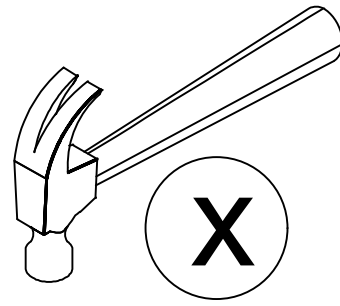
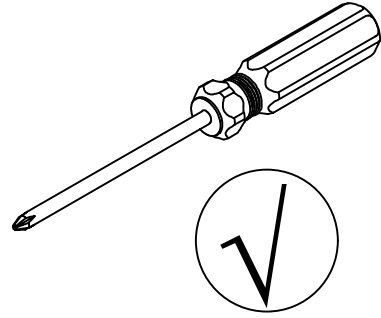
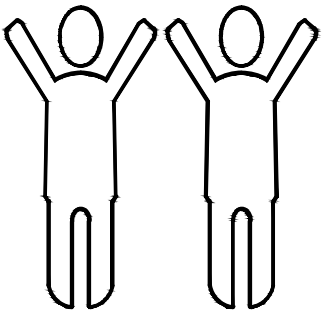
	
70X30X5mm	
(P)	X1

HEX KEY

	
(Q)	X2set

TIPPING RESTRAINT
HARDWARE KIT

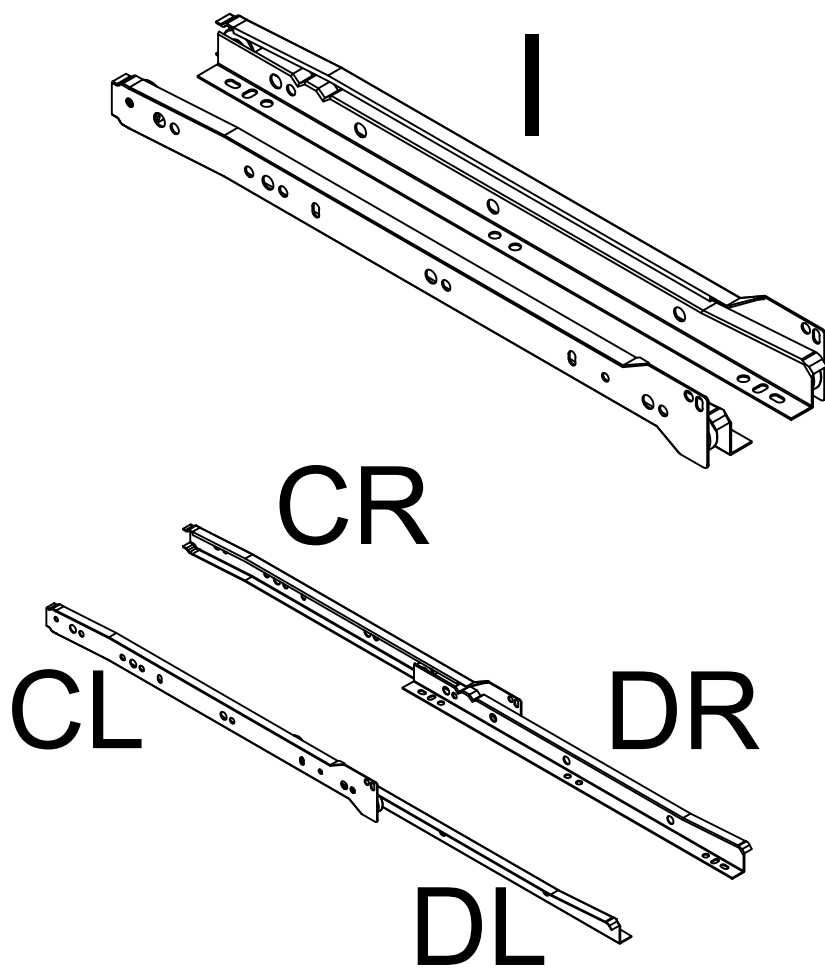
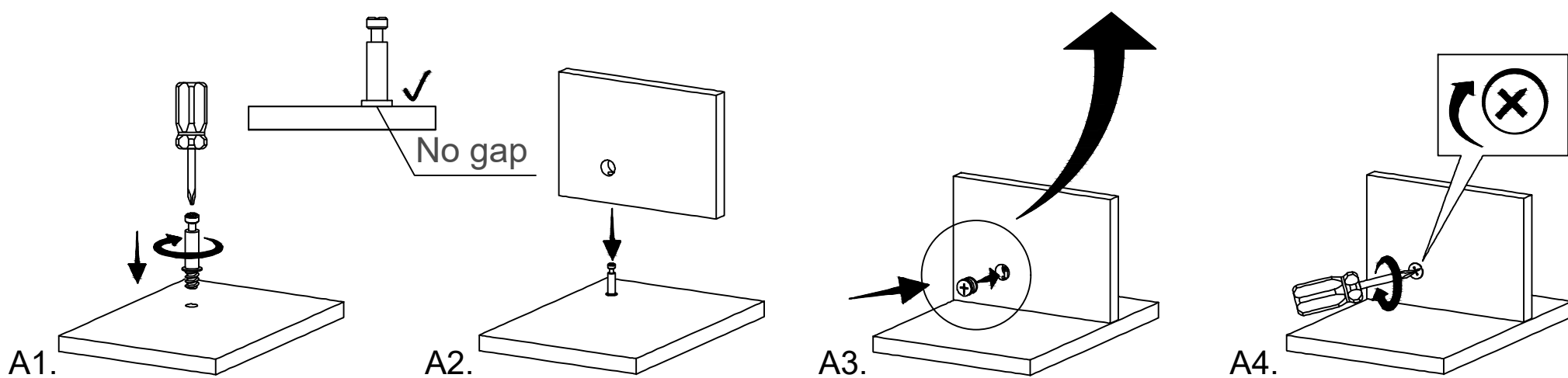
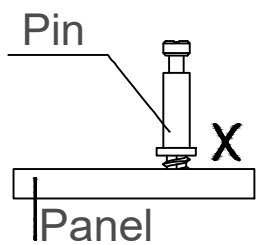
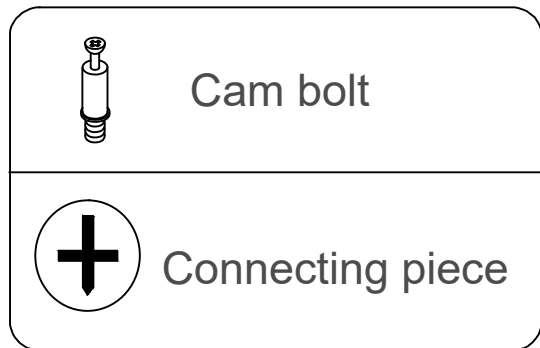
Hardware List



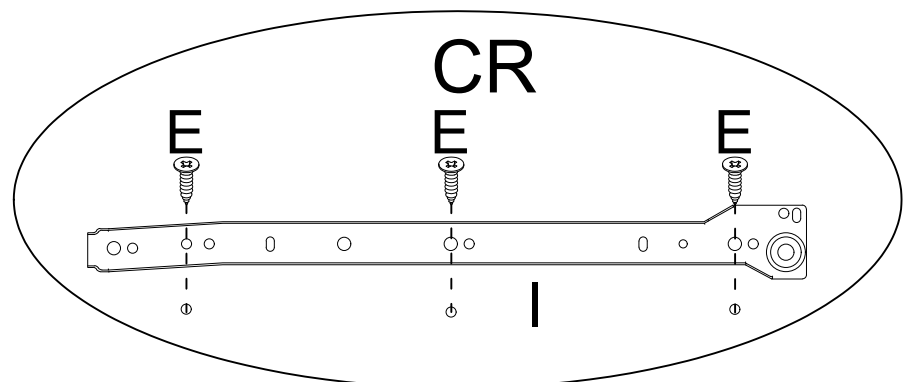
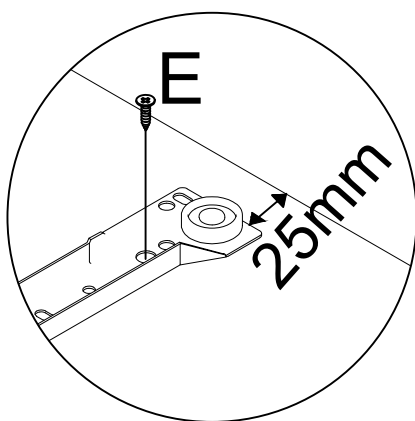
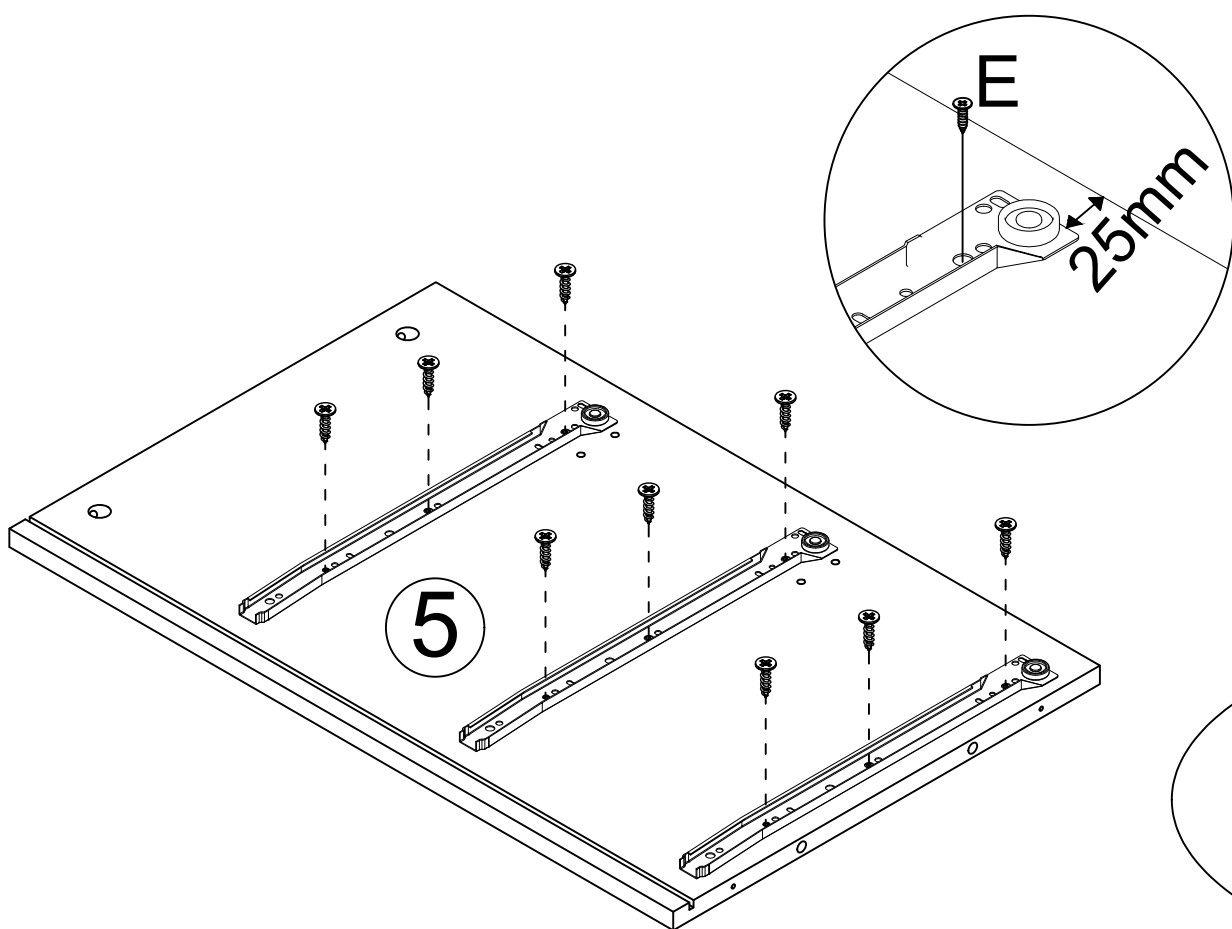
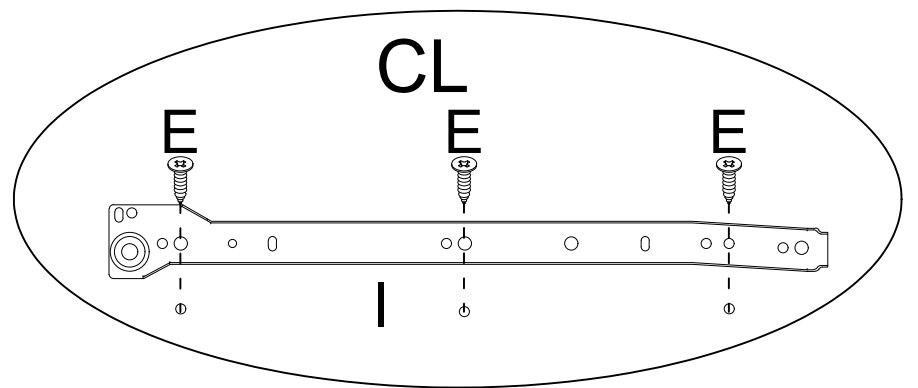
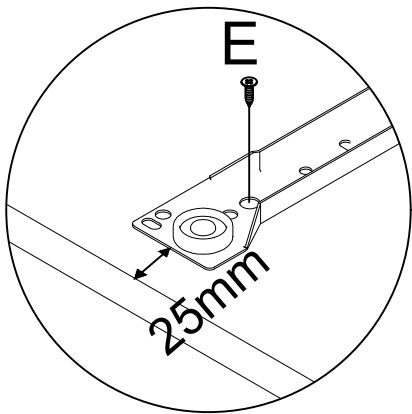
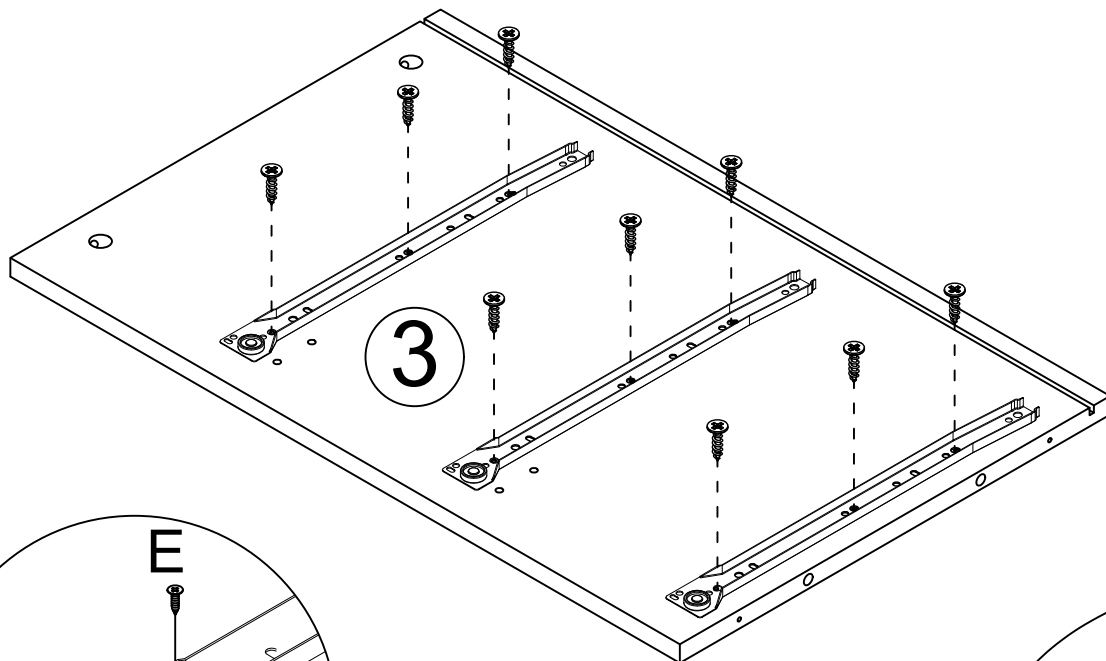
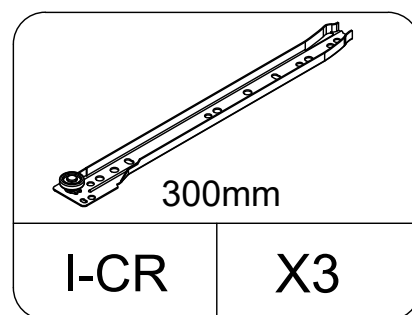
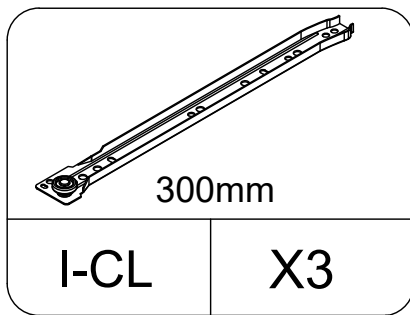
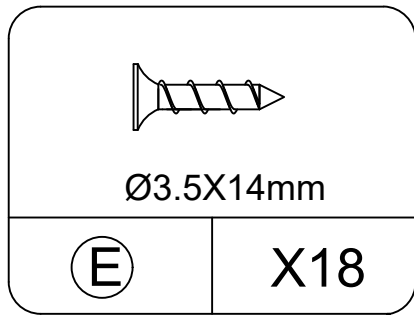
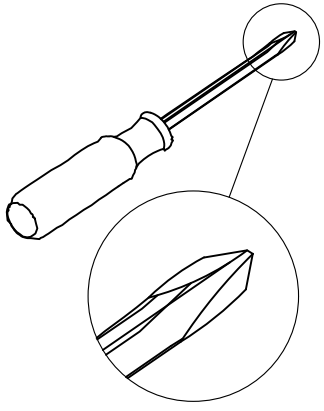
SCREW
spare:1

Assembly Steps

CAM BOLT INSTALLATION AS BELOW:

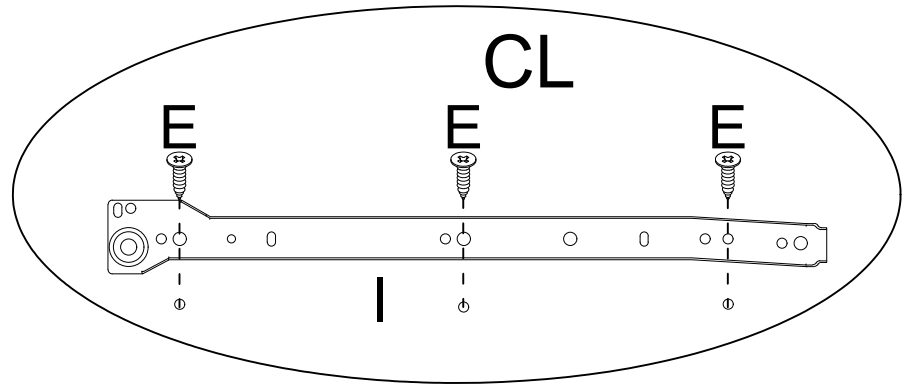
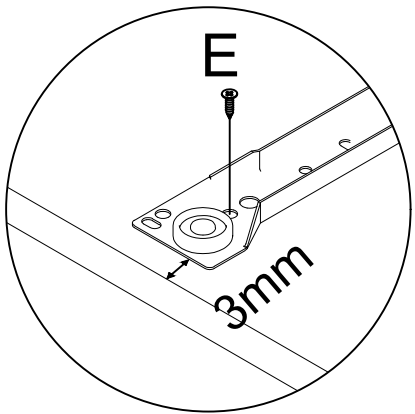
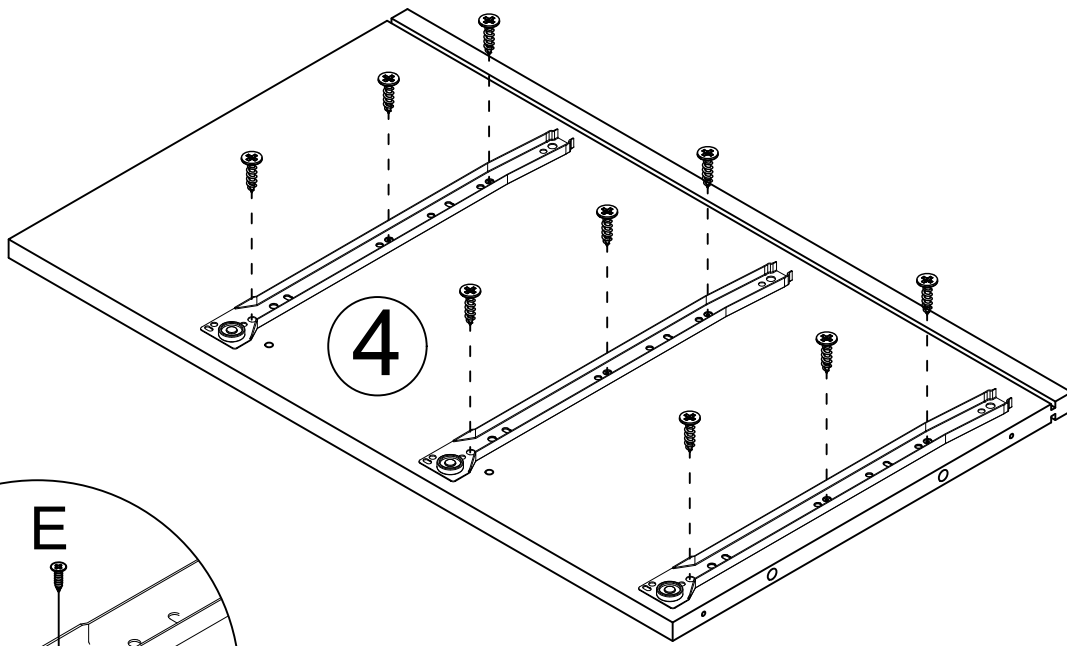
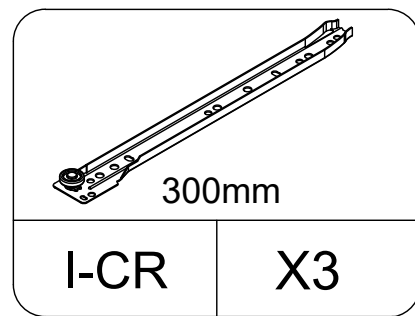
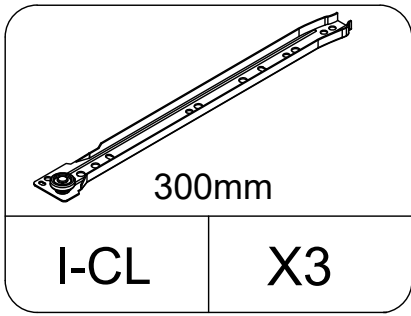
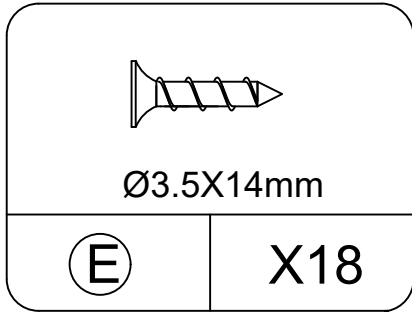
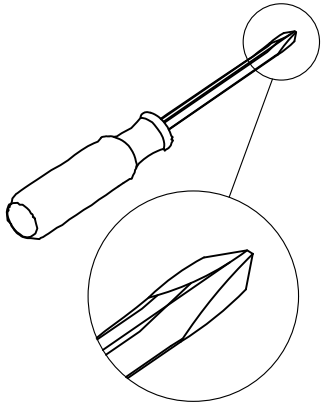


STEP 1

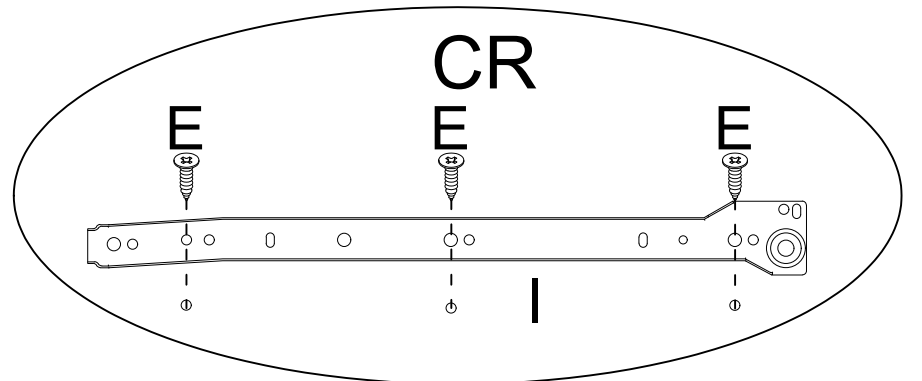
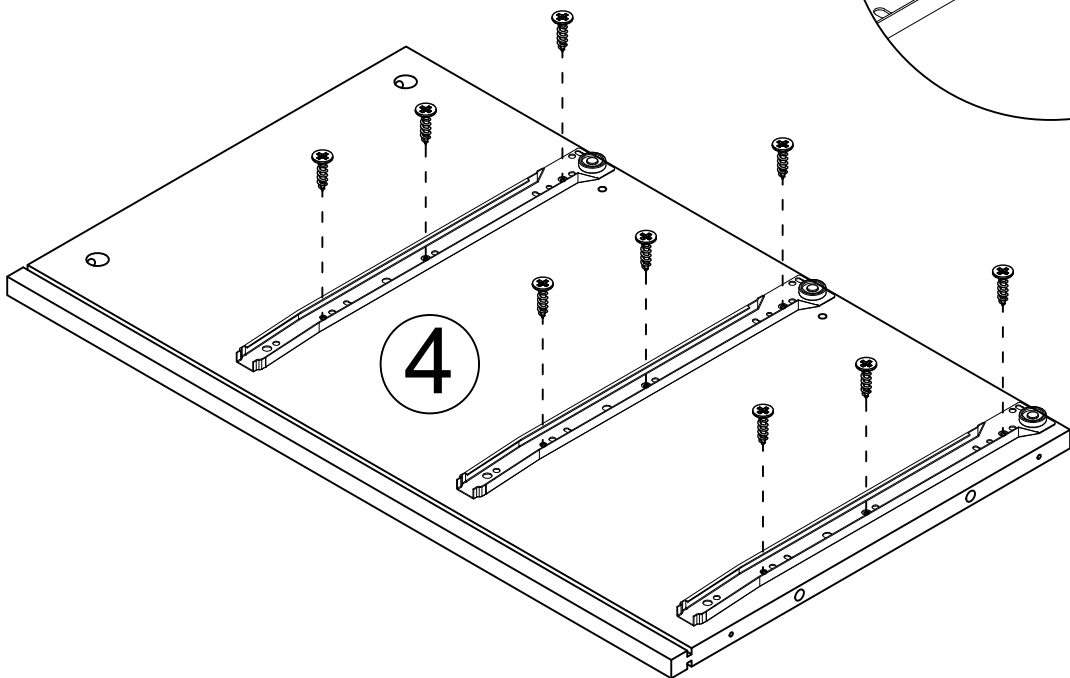
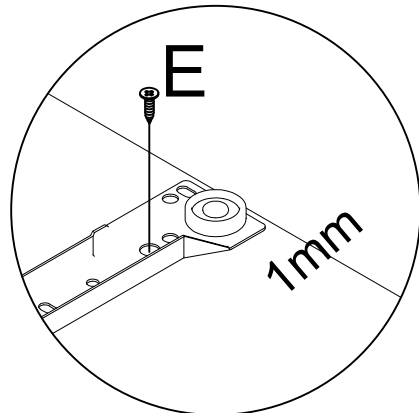


Lock the slides onto the plate according to the holes shown in the illustration.

STEP 2

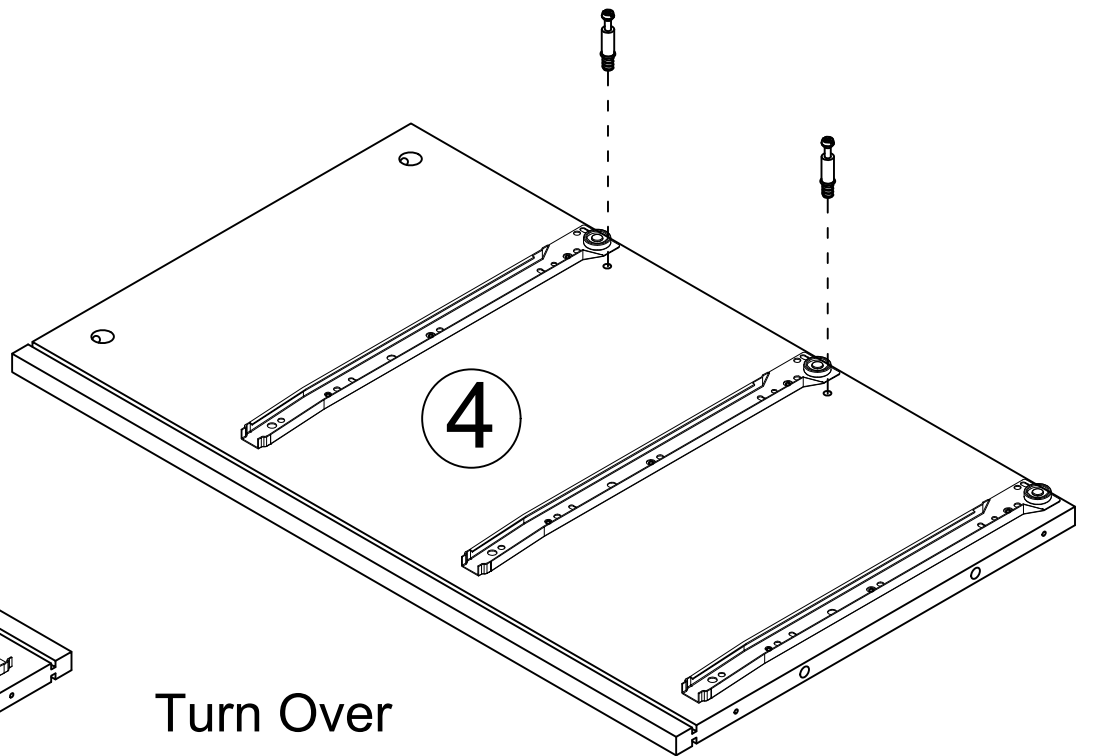
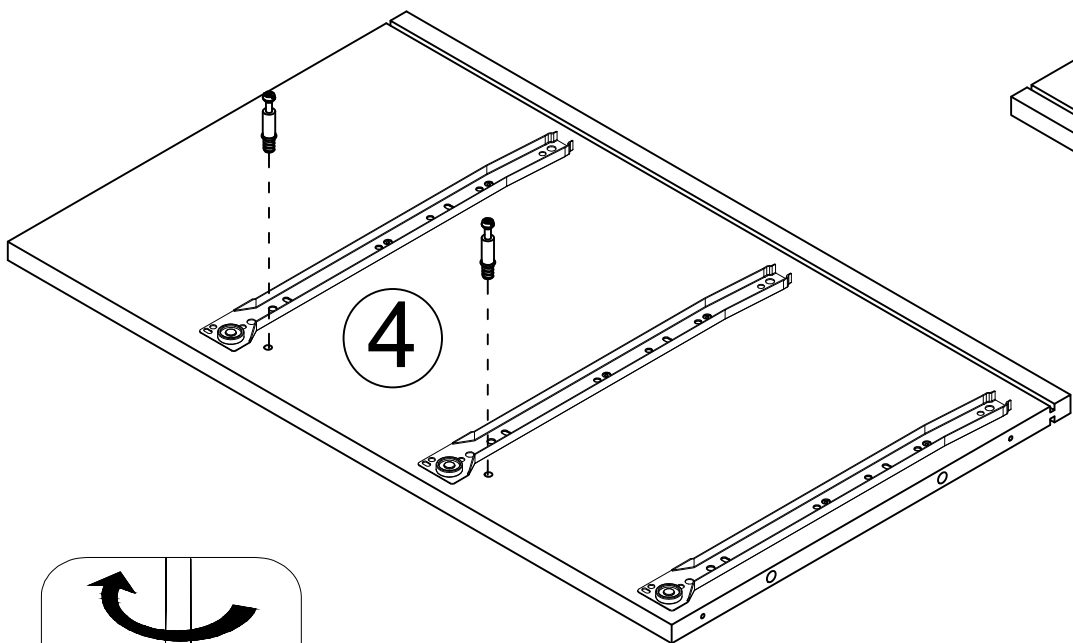
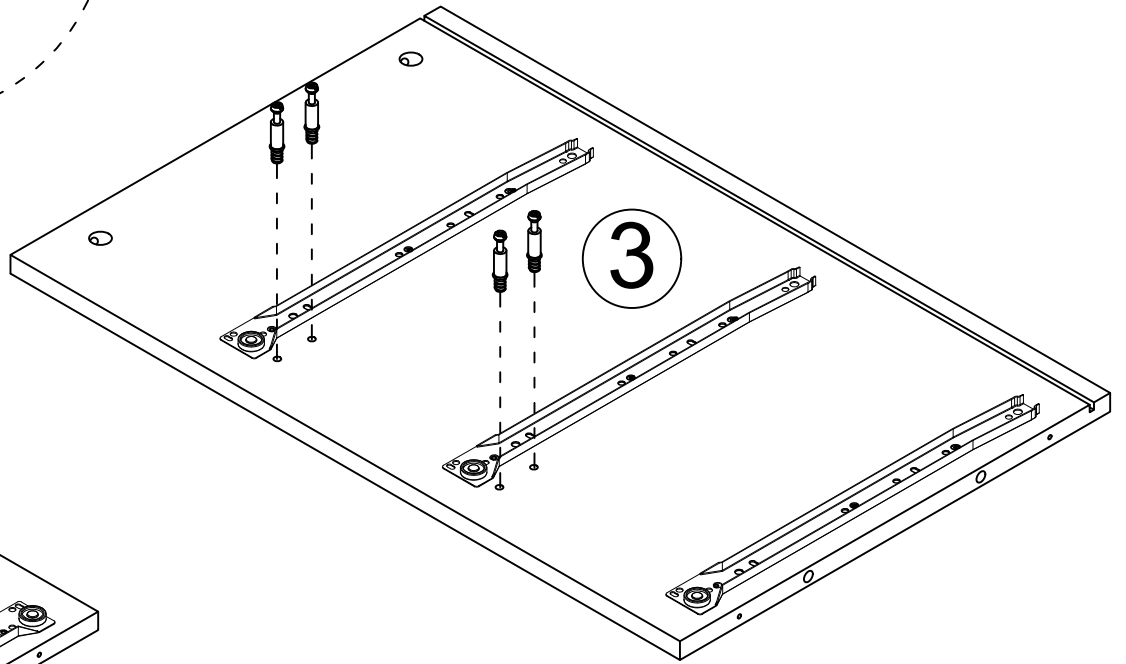
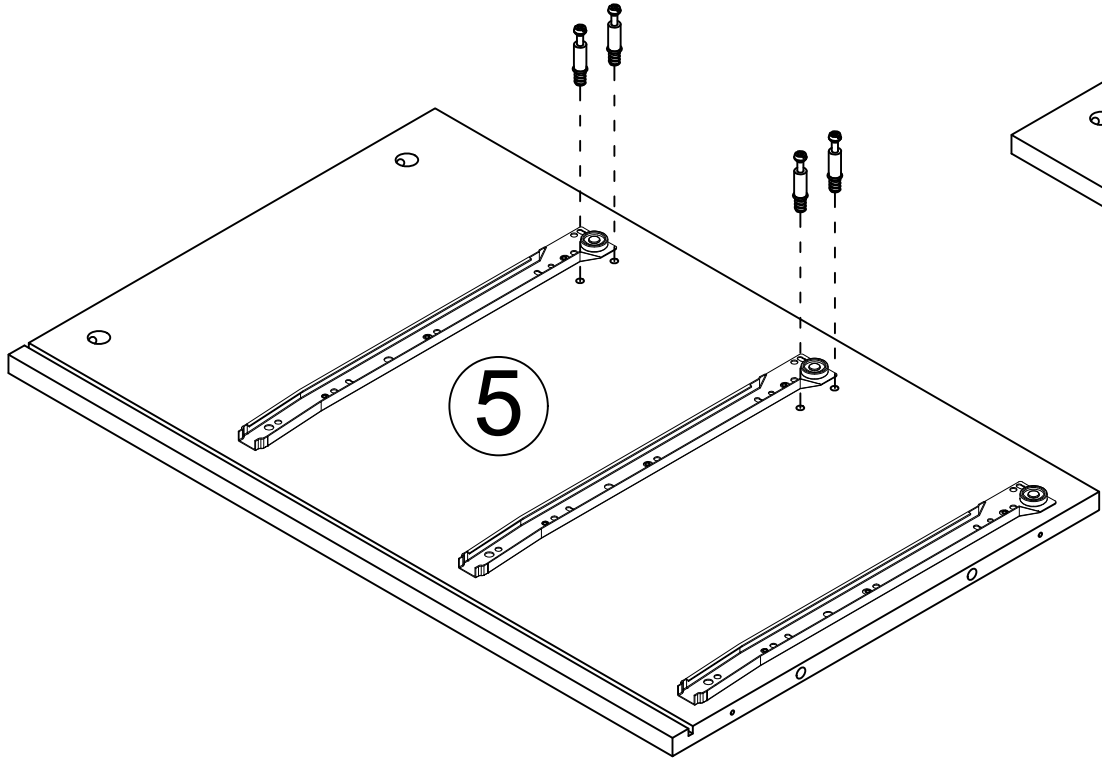
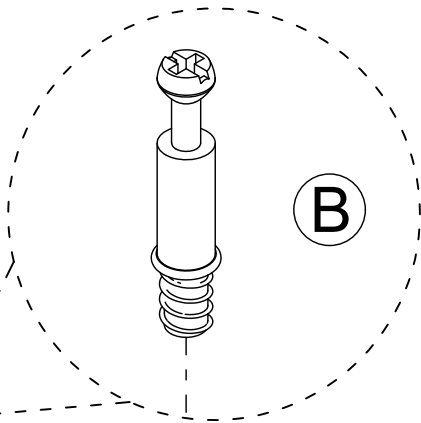
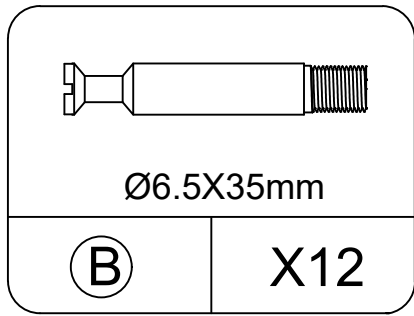
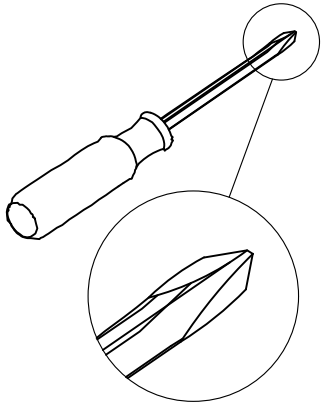


180° Turn Over

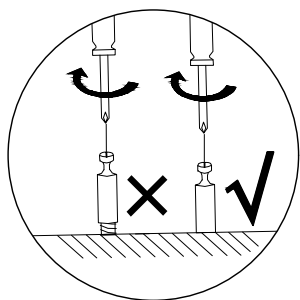
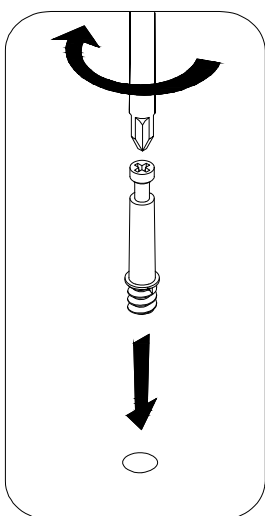
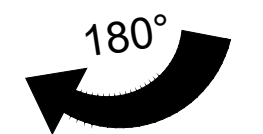


Lock the slides onto the plate according to the holes shown in the illustration.

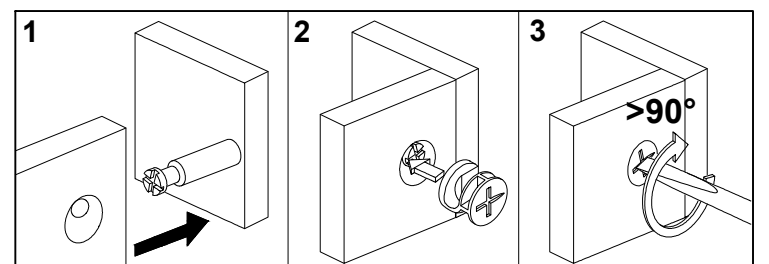
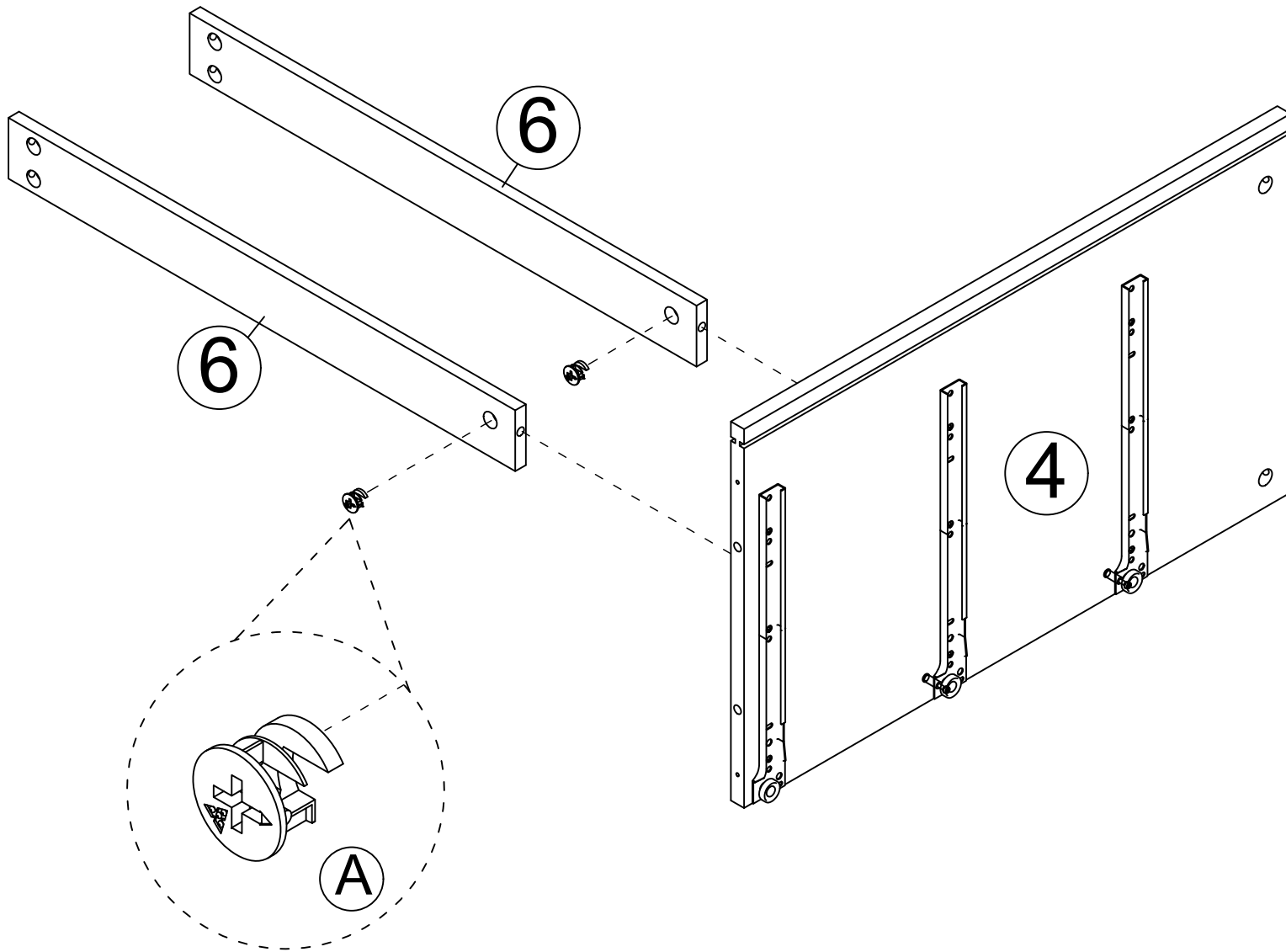
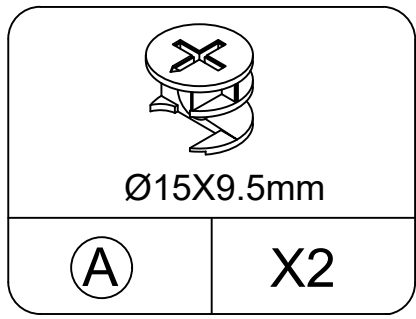
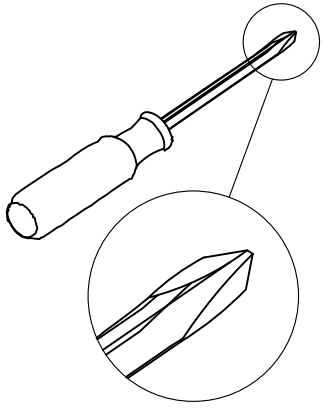
STEP 3



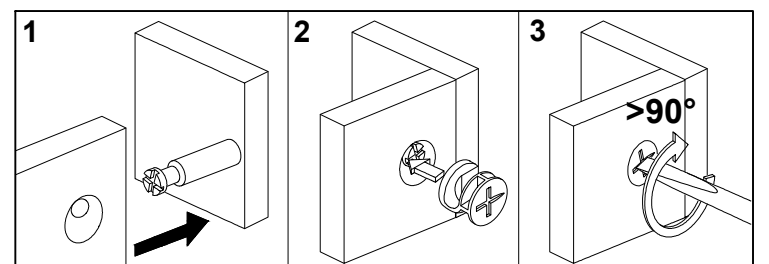
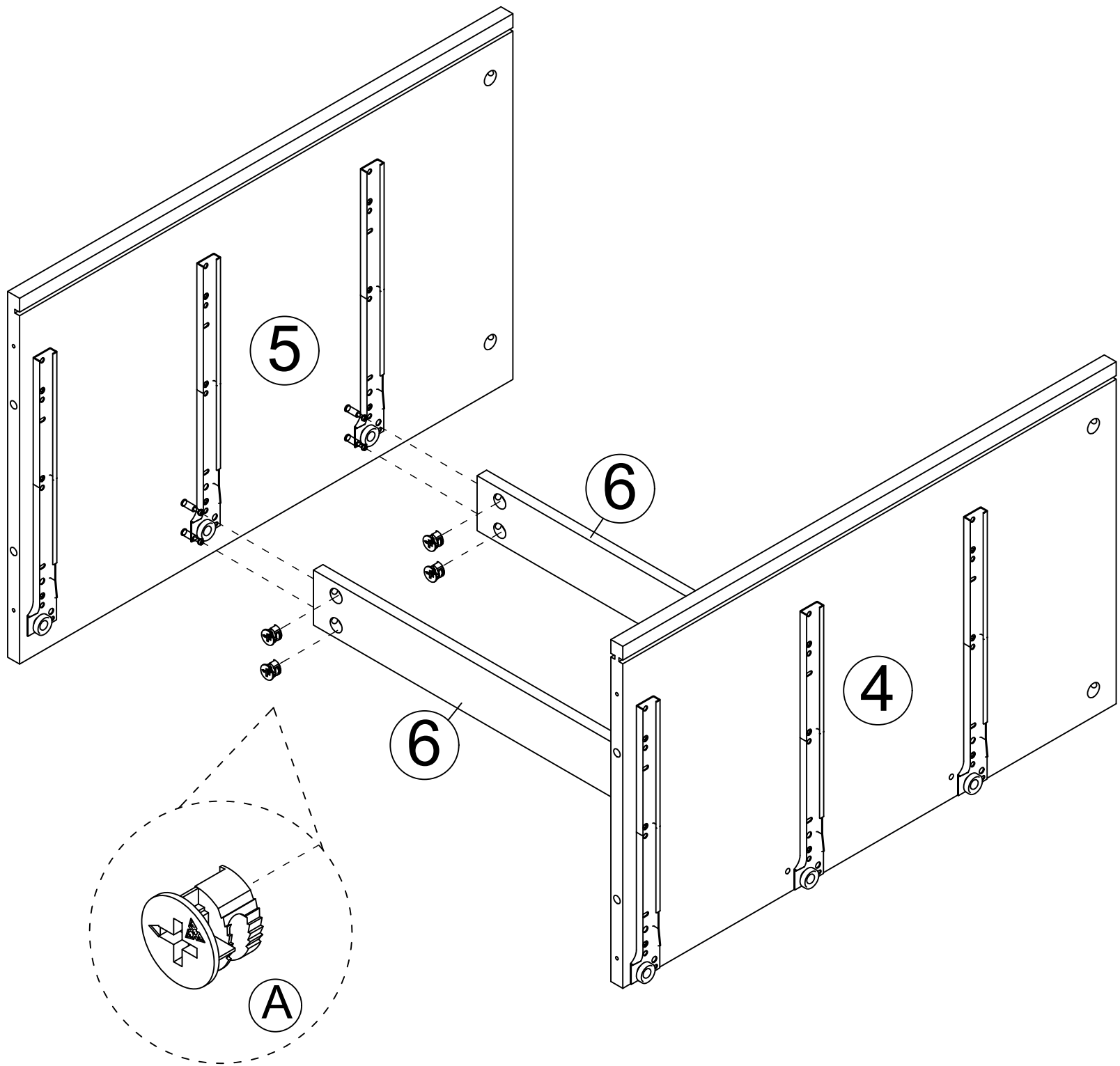
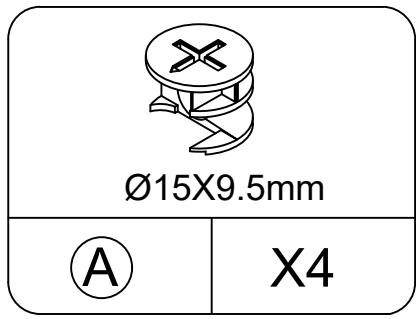
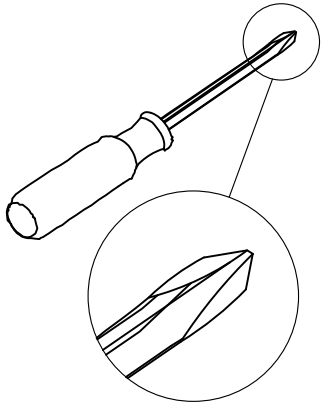
Turn Over
180°



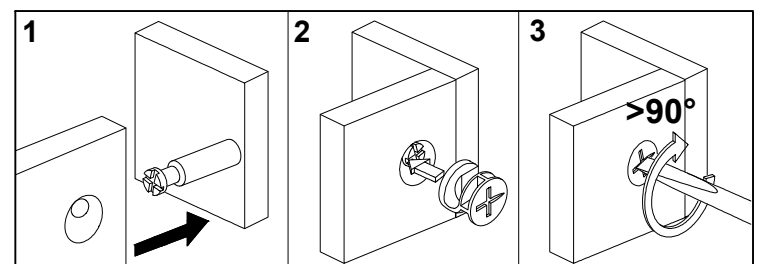
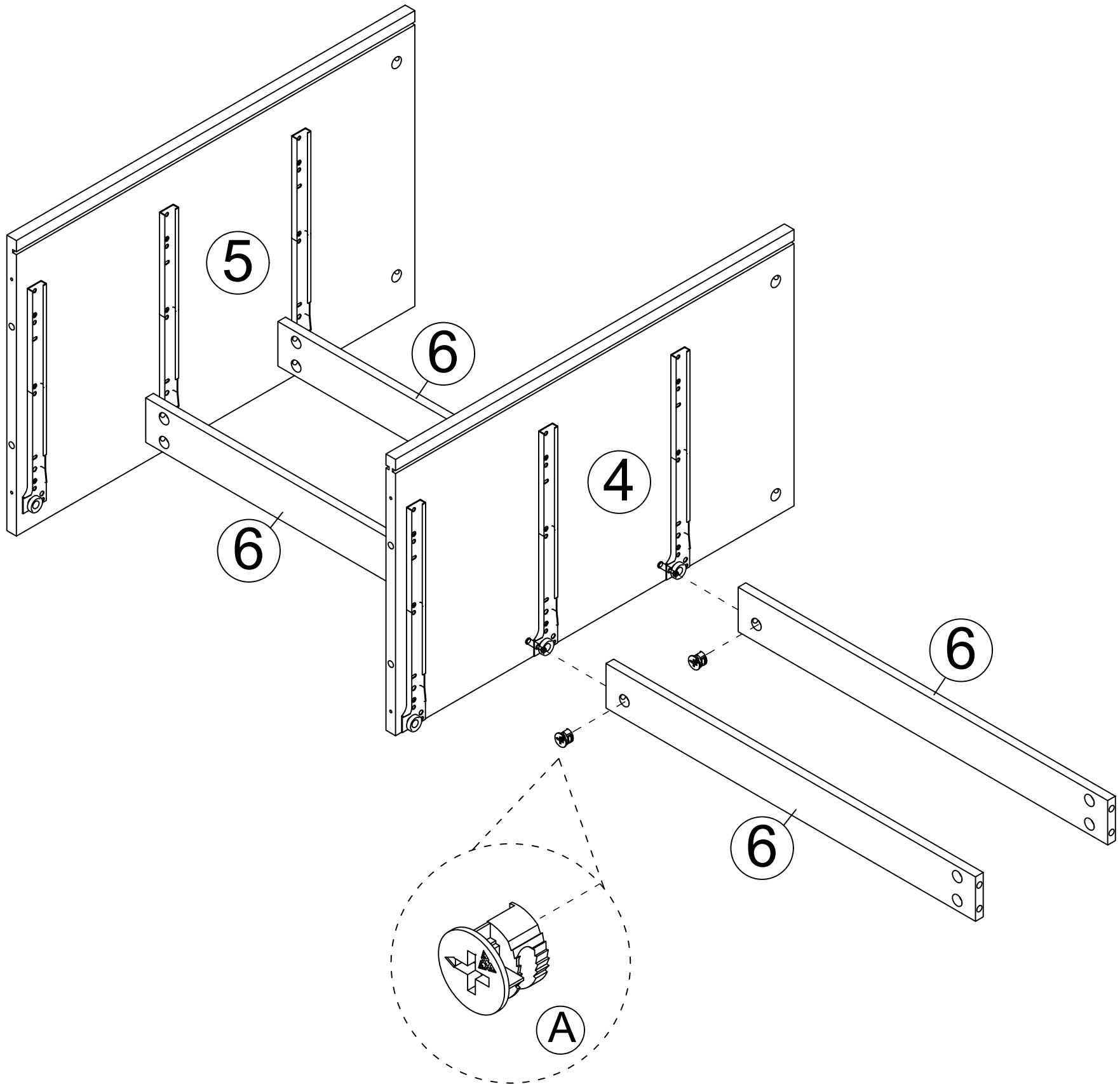
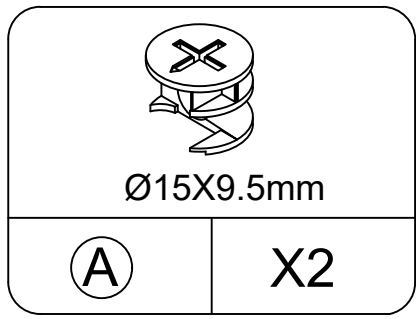
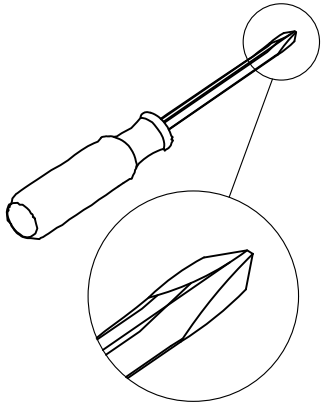
STEP 4



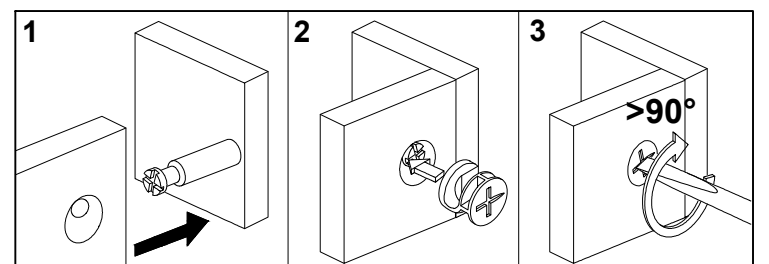
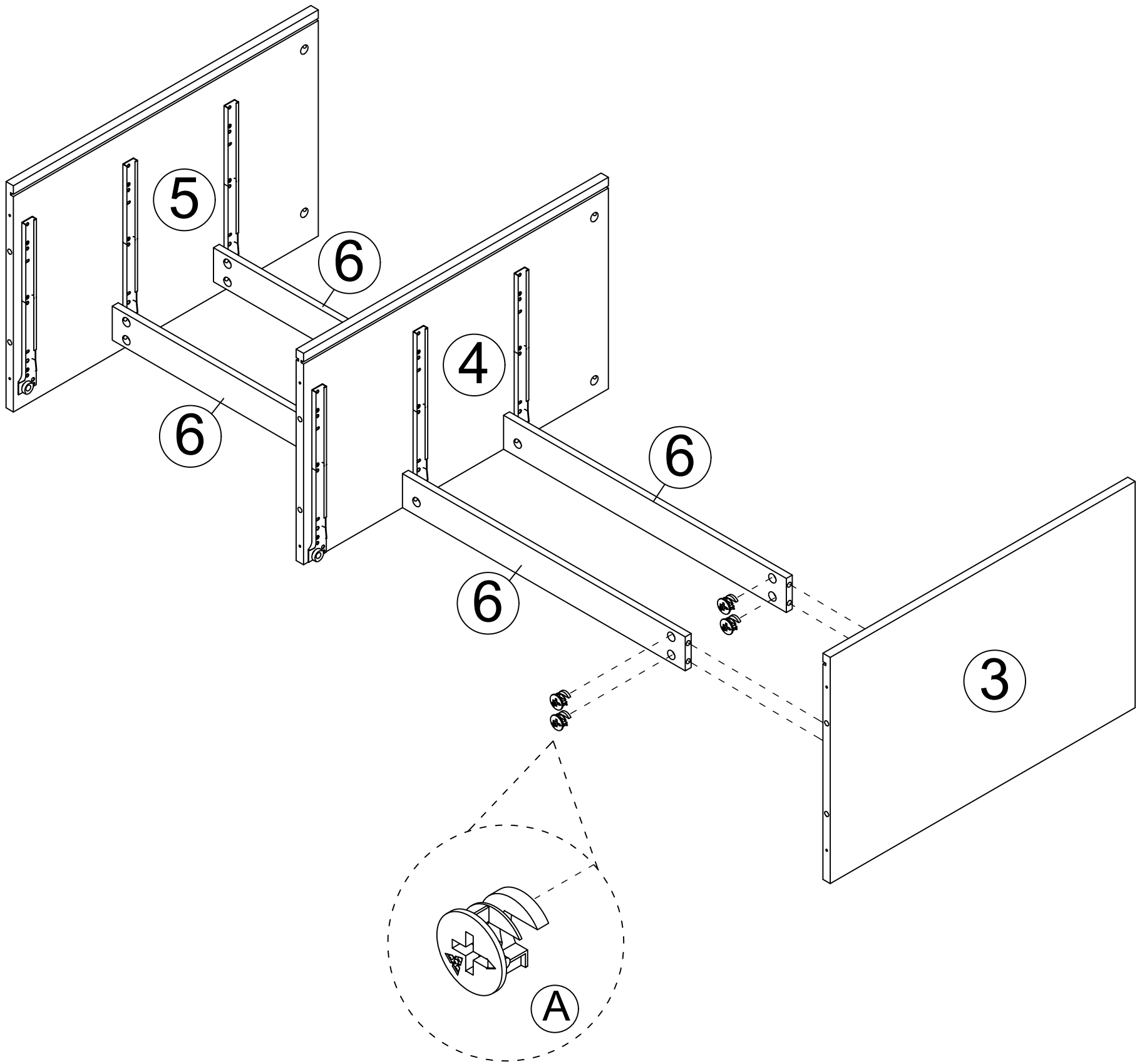
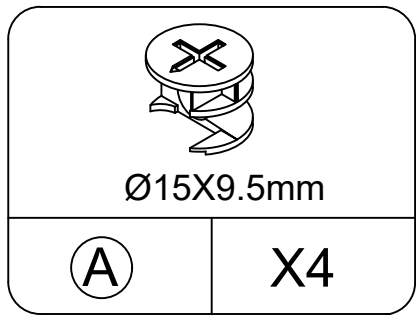
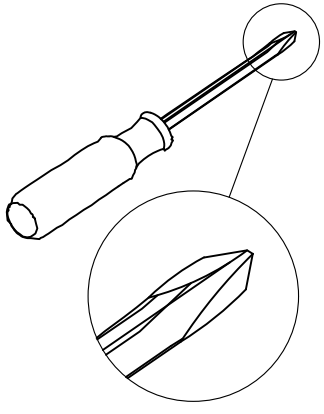
STEP 5



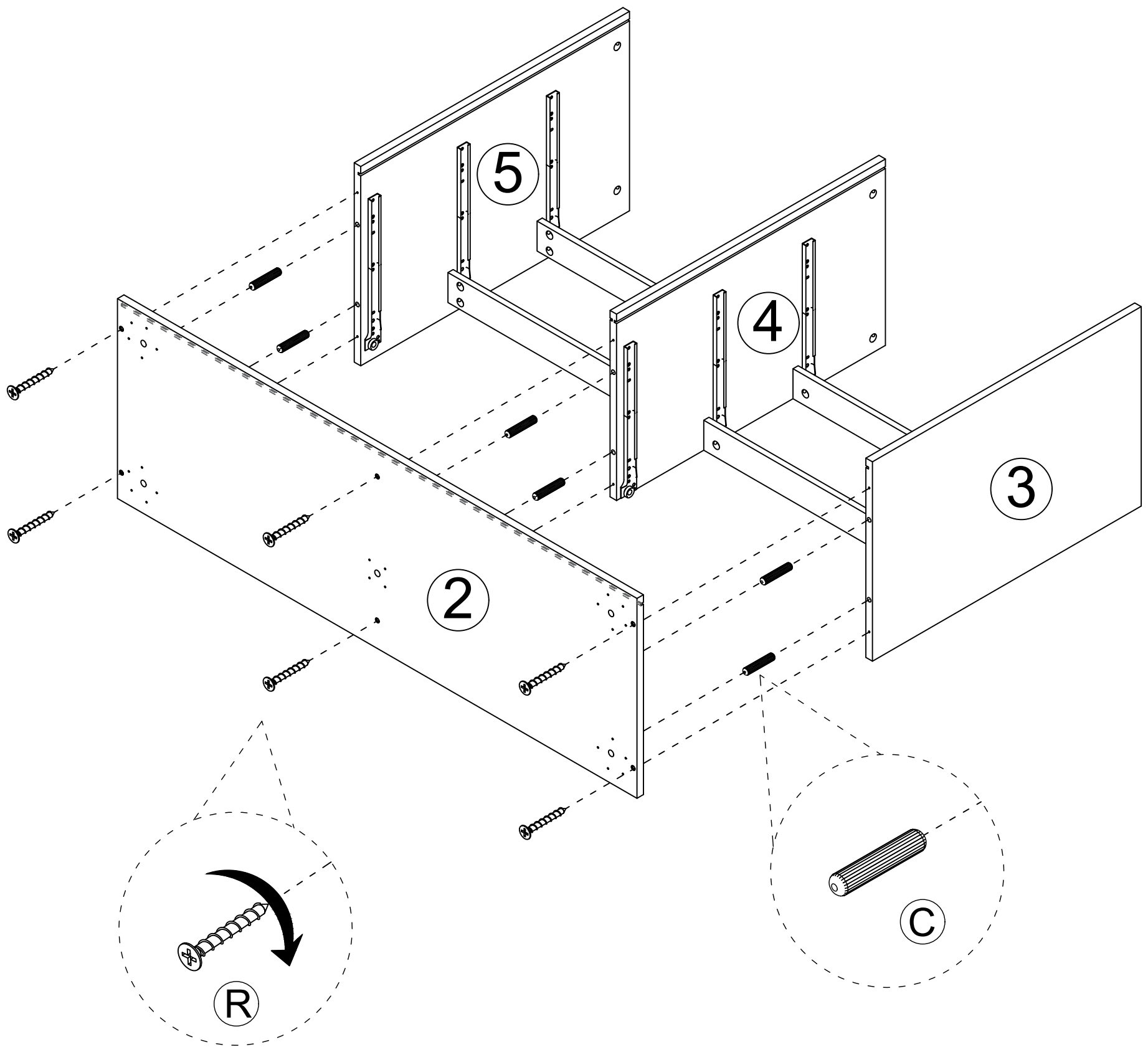
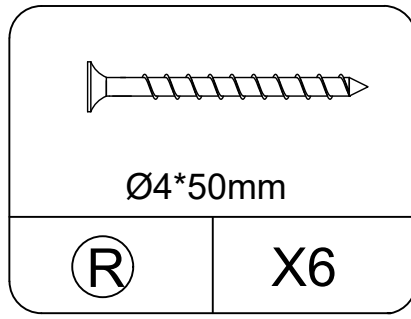
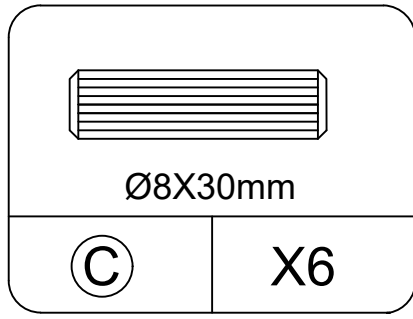
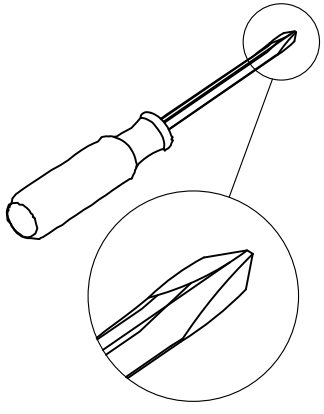
STEP 6



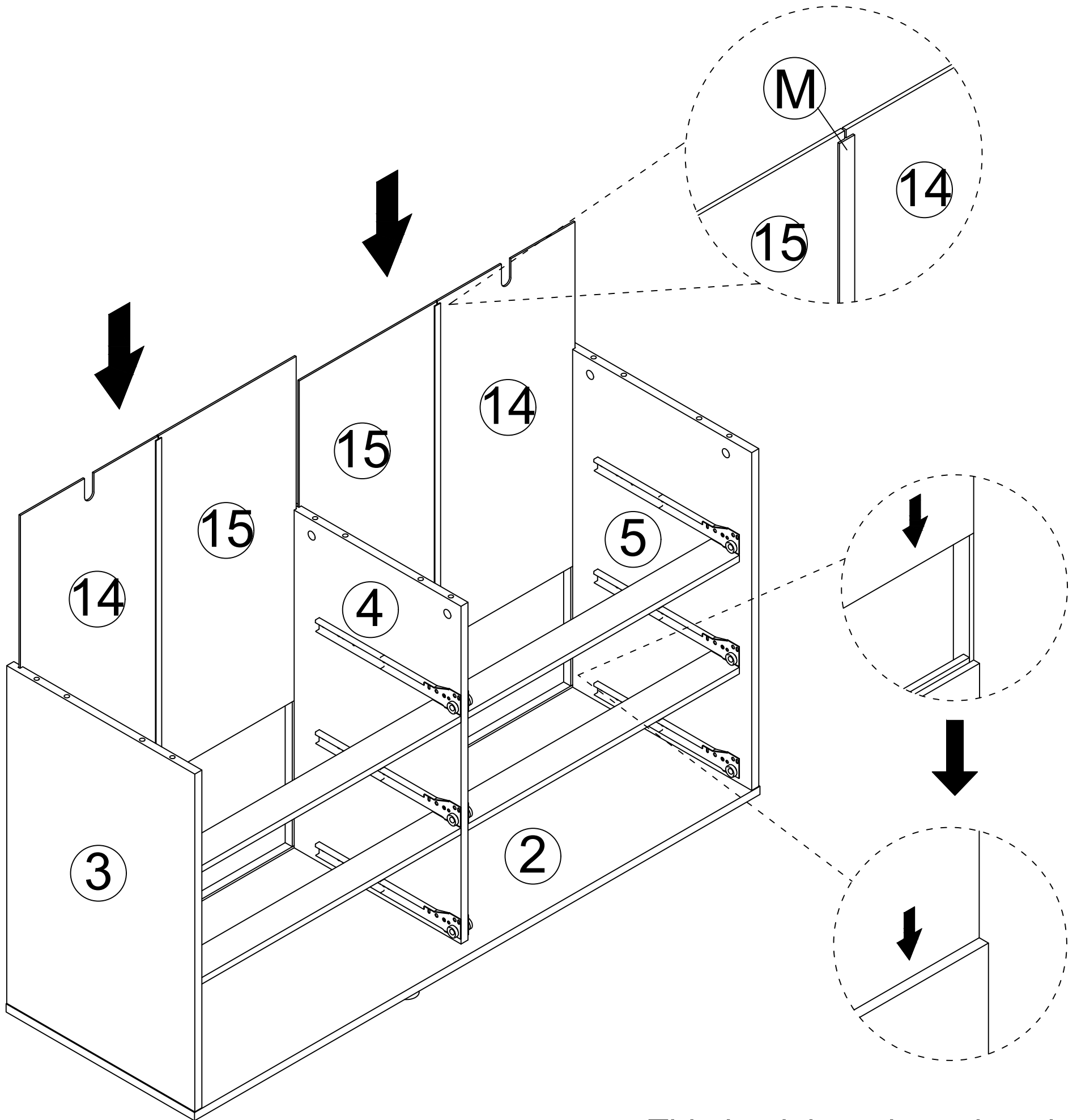
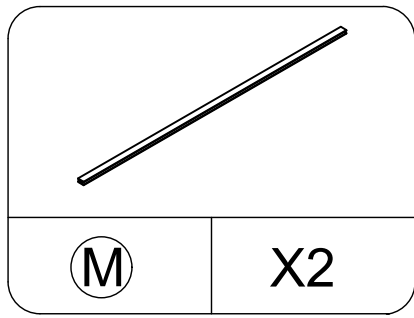
STEP 7



STEP 8

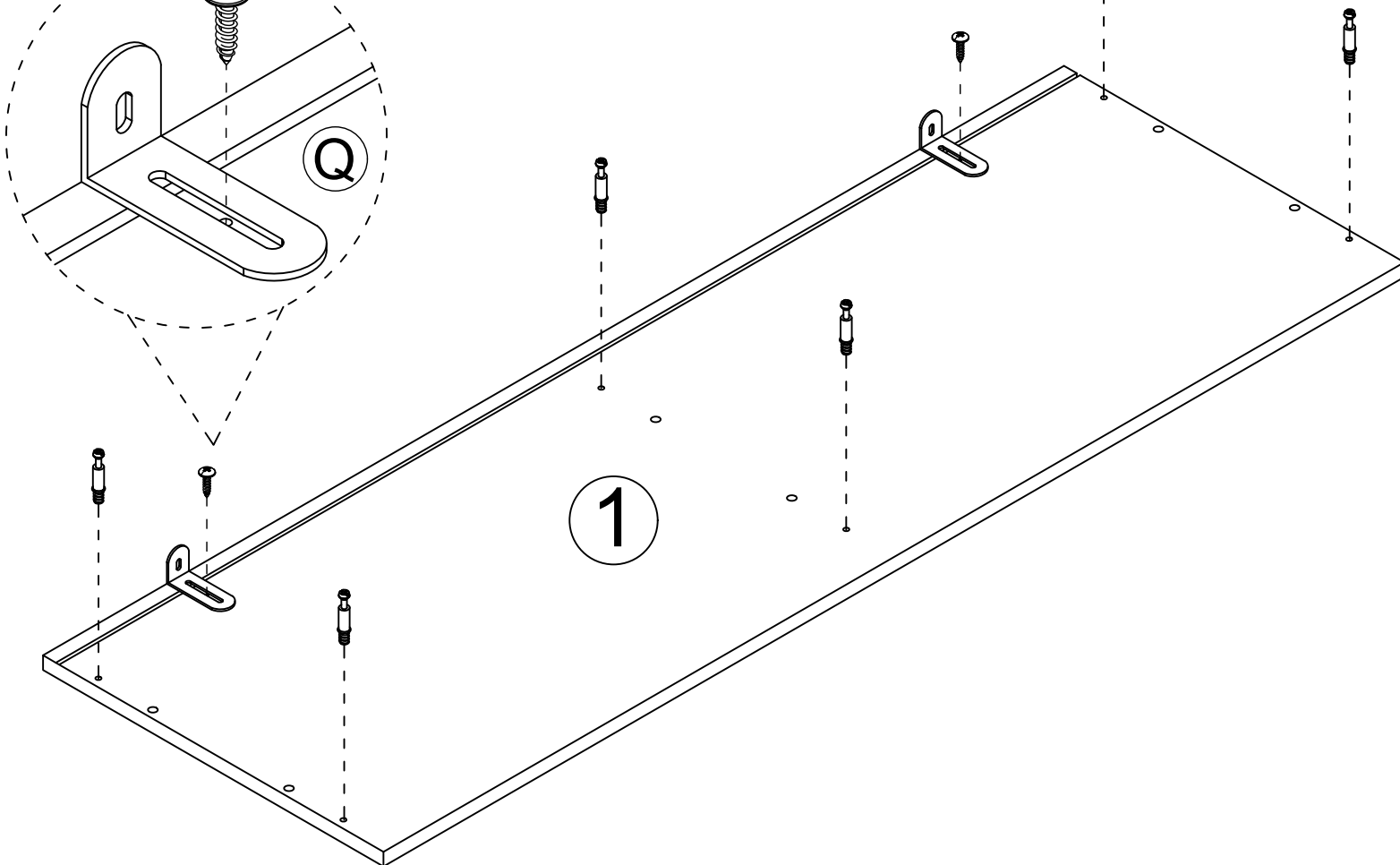
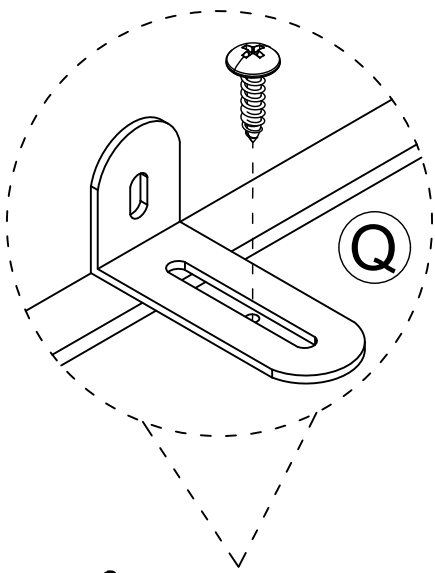
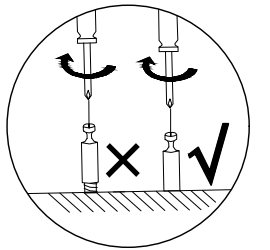
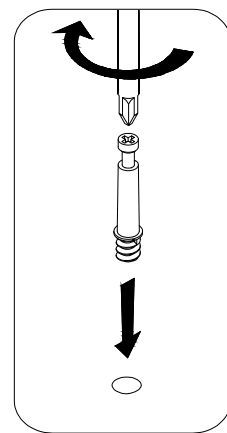
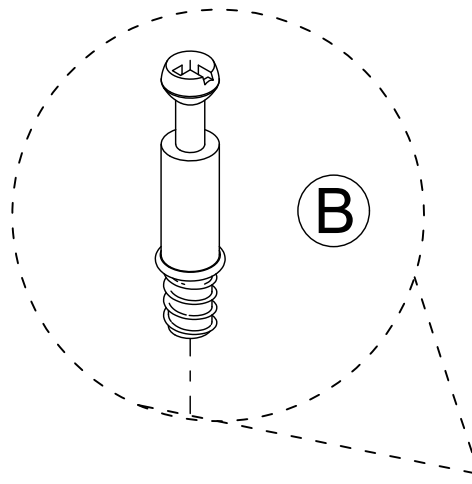
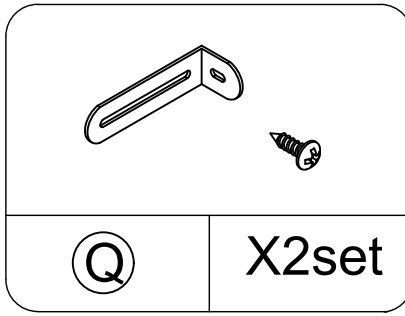
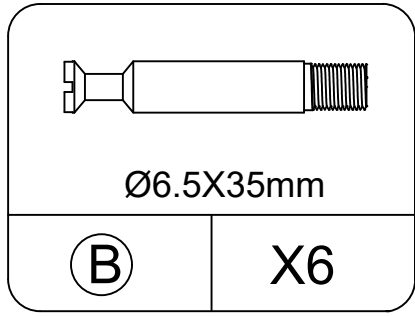
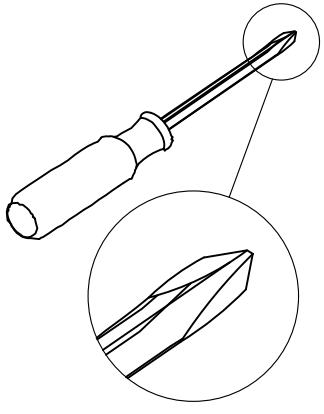


STEP9

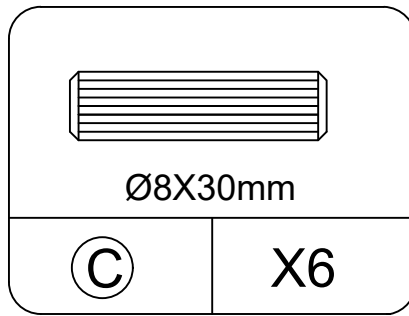
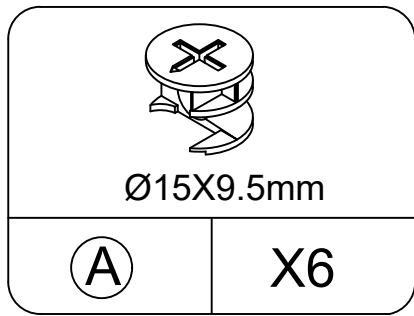
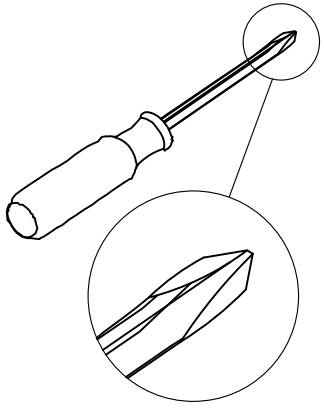


Thin back board needs to be inside the slot, otherwise blocks the opposite plate montage.

STEP10

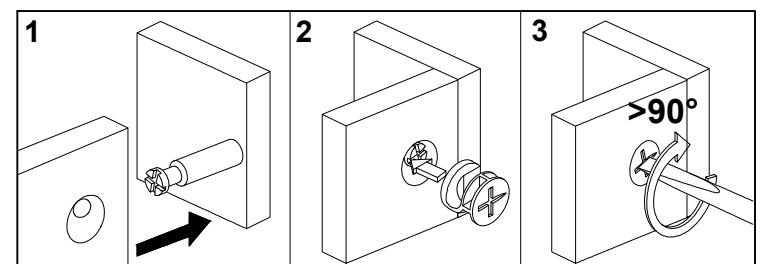
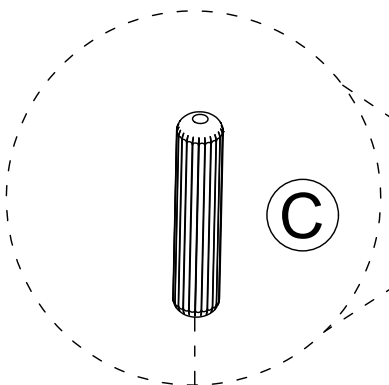
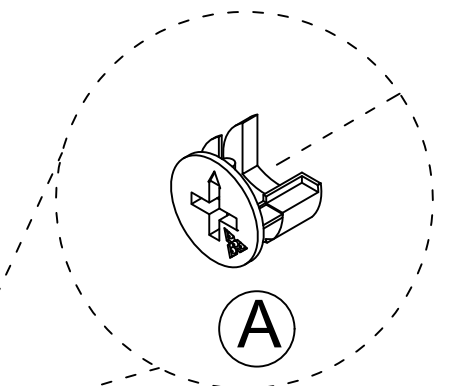
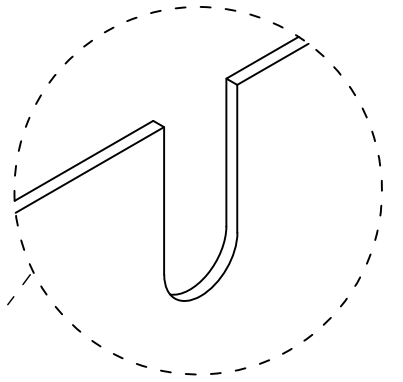
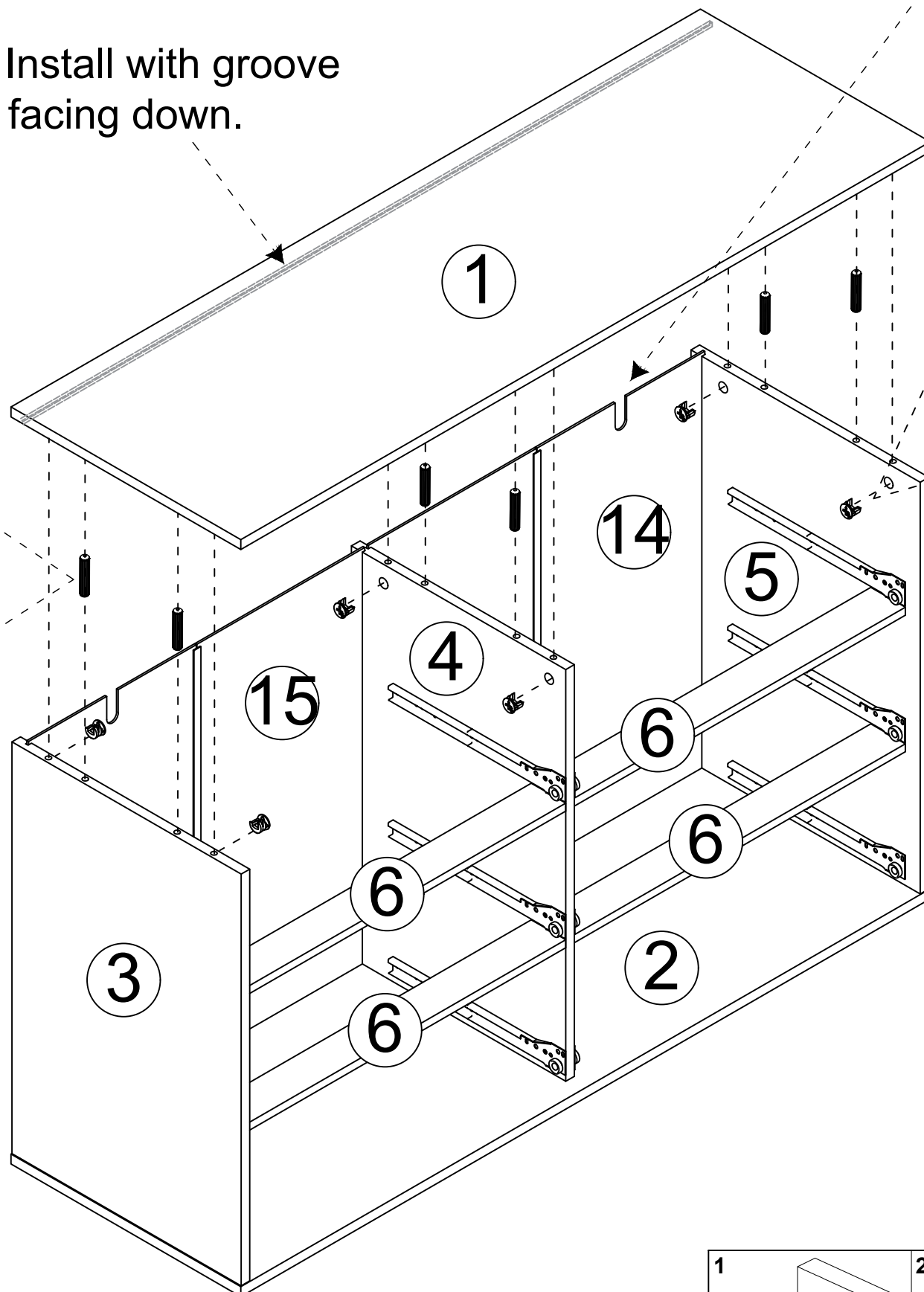


STEP 11

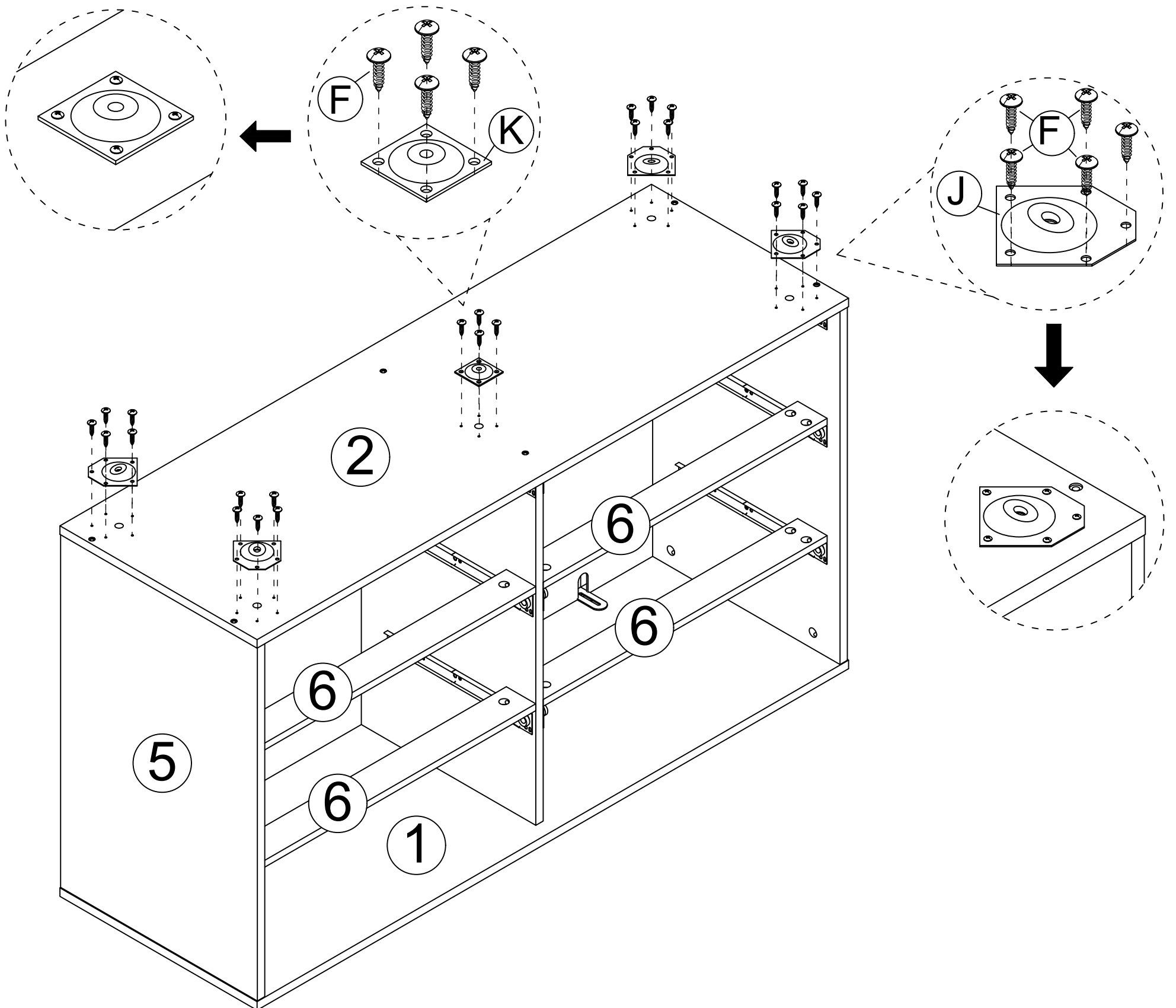
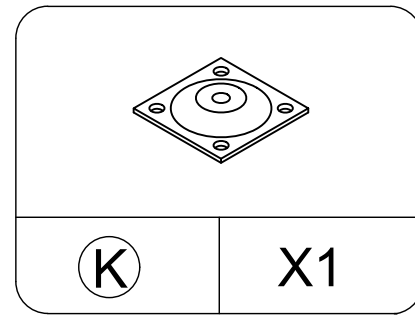
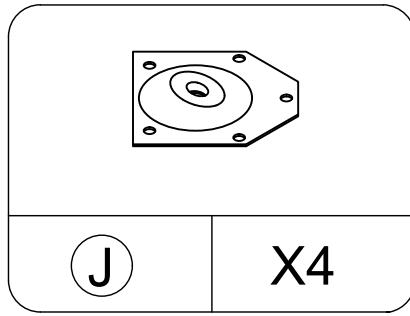
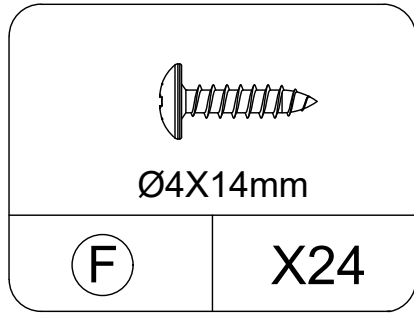
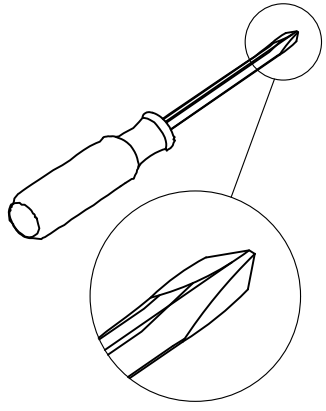


Note: Part Q corresponds to the notch of groove 14 on the plate.

Install with groove facing down.

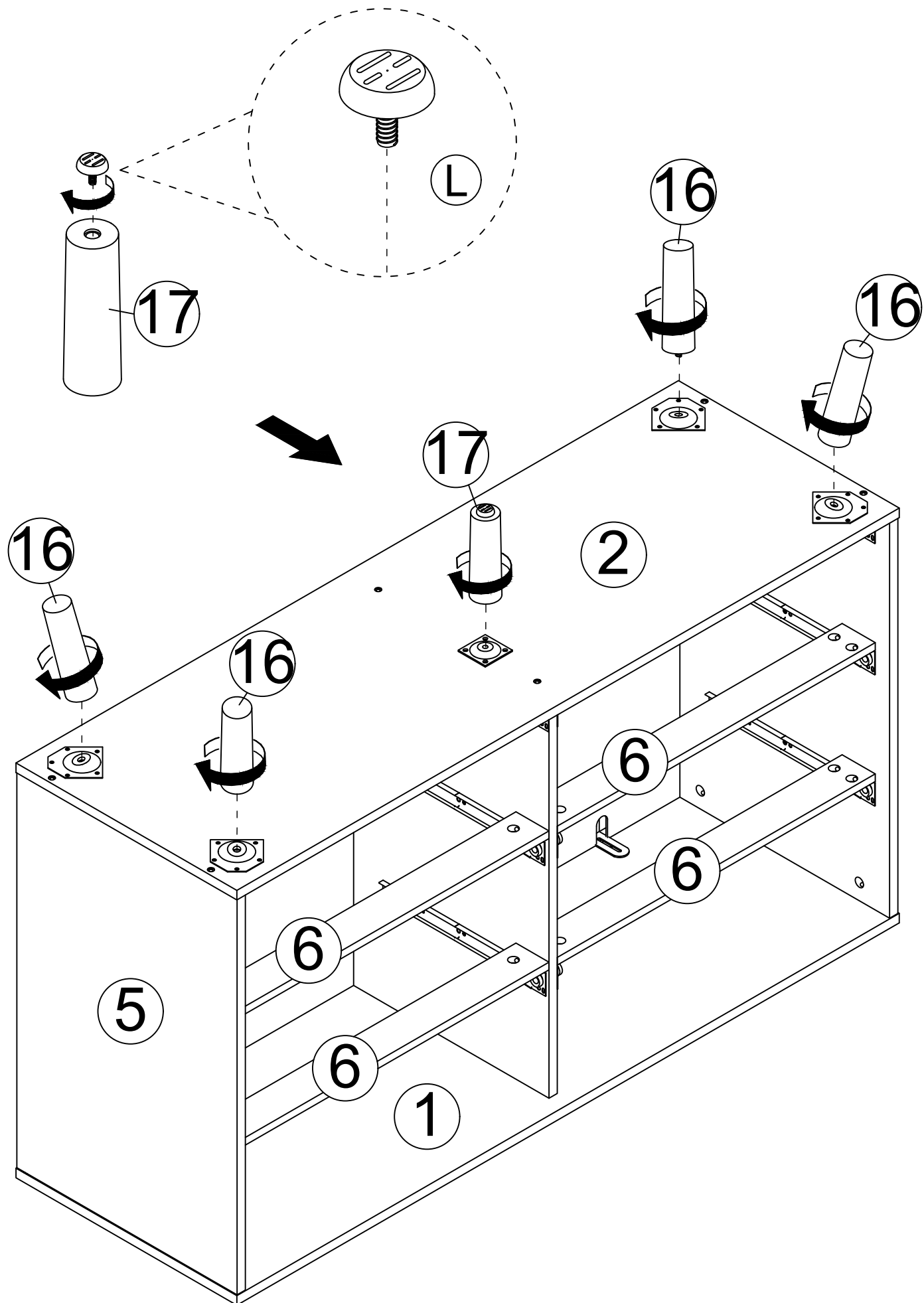
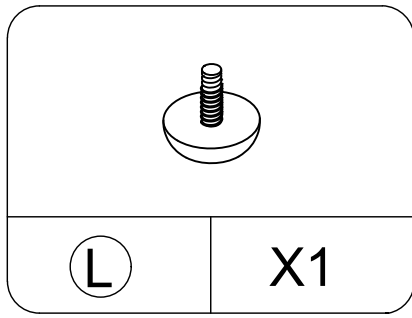


STEP12

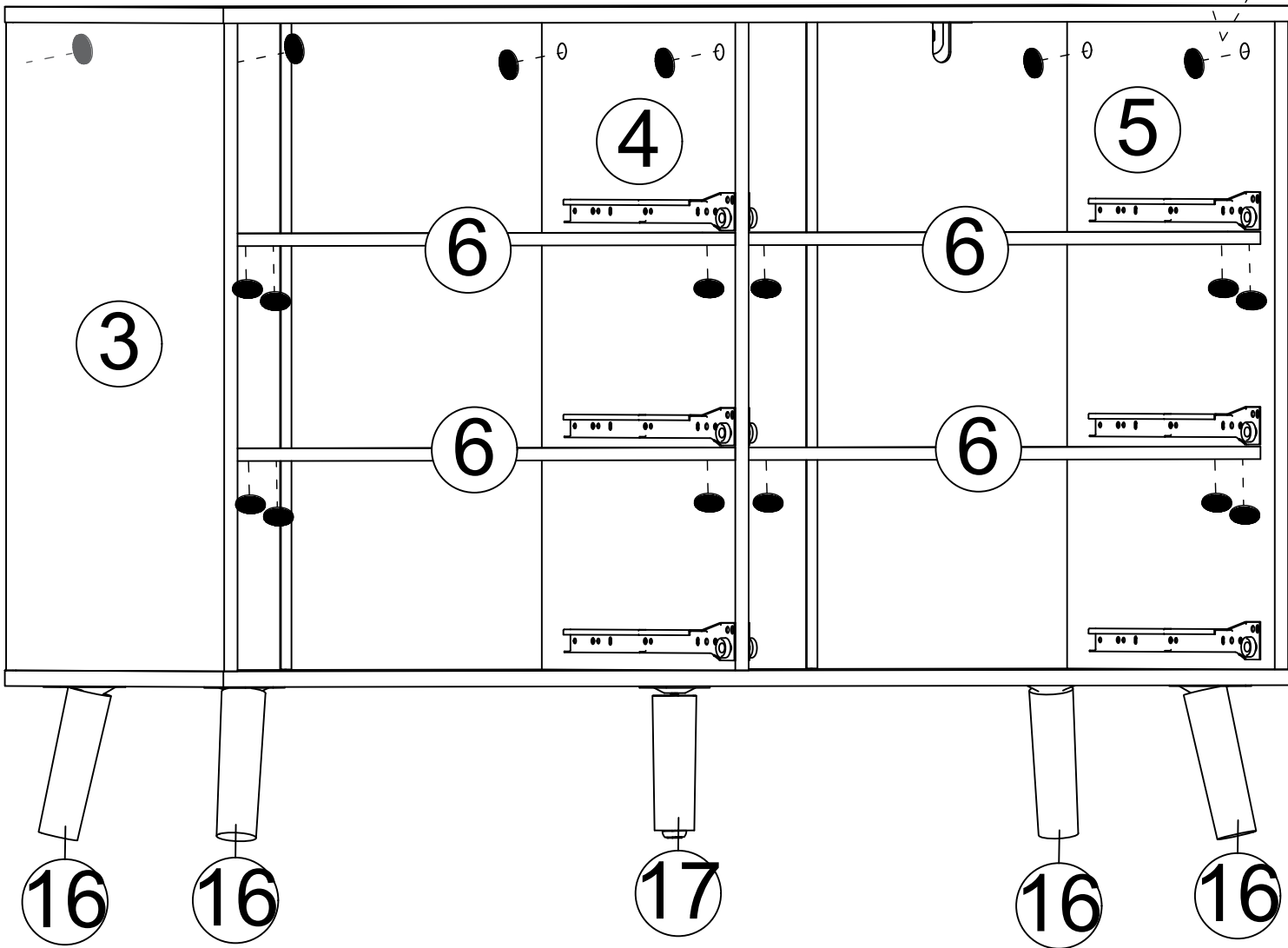
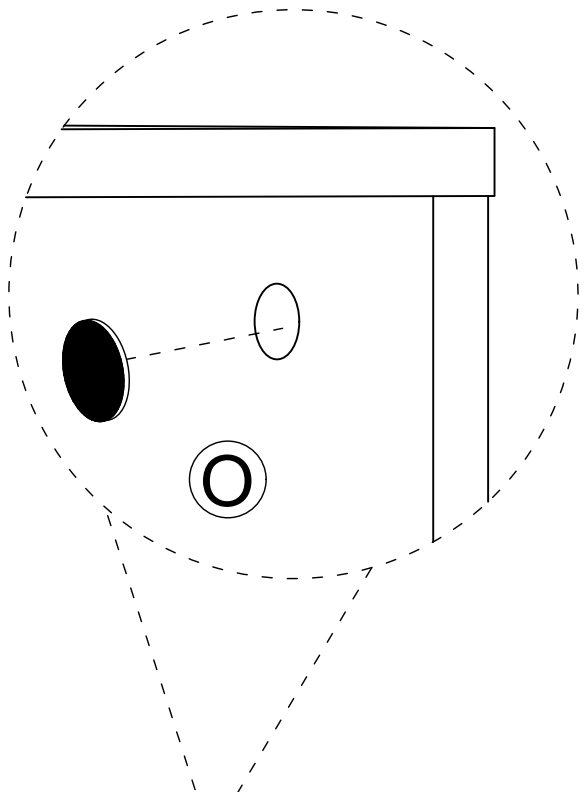
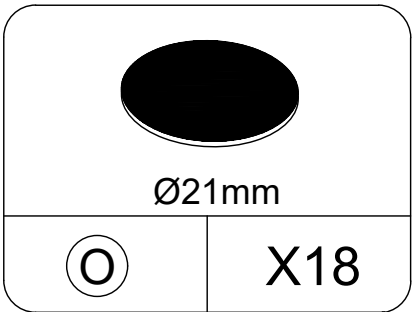


Pay attention to the iron sheet installation direction, as shown in the figure, otherwise it will affect the next step.

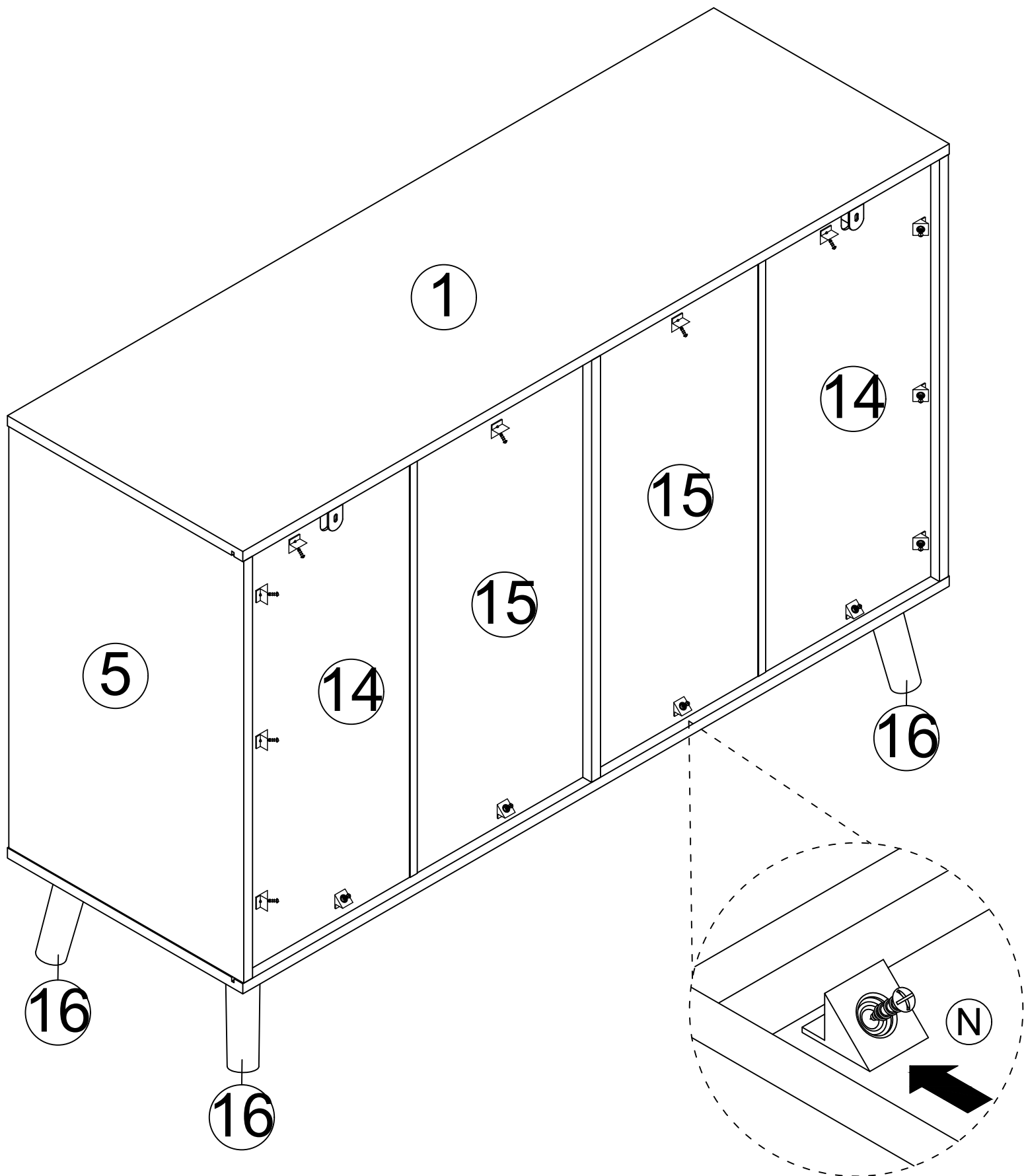
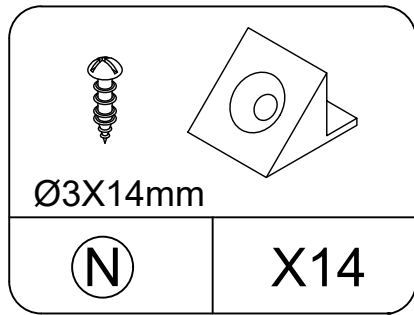
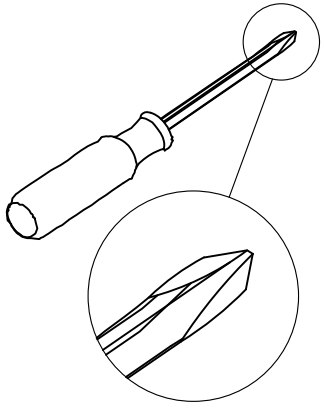
STEP13



STEP14

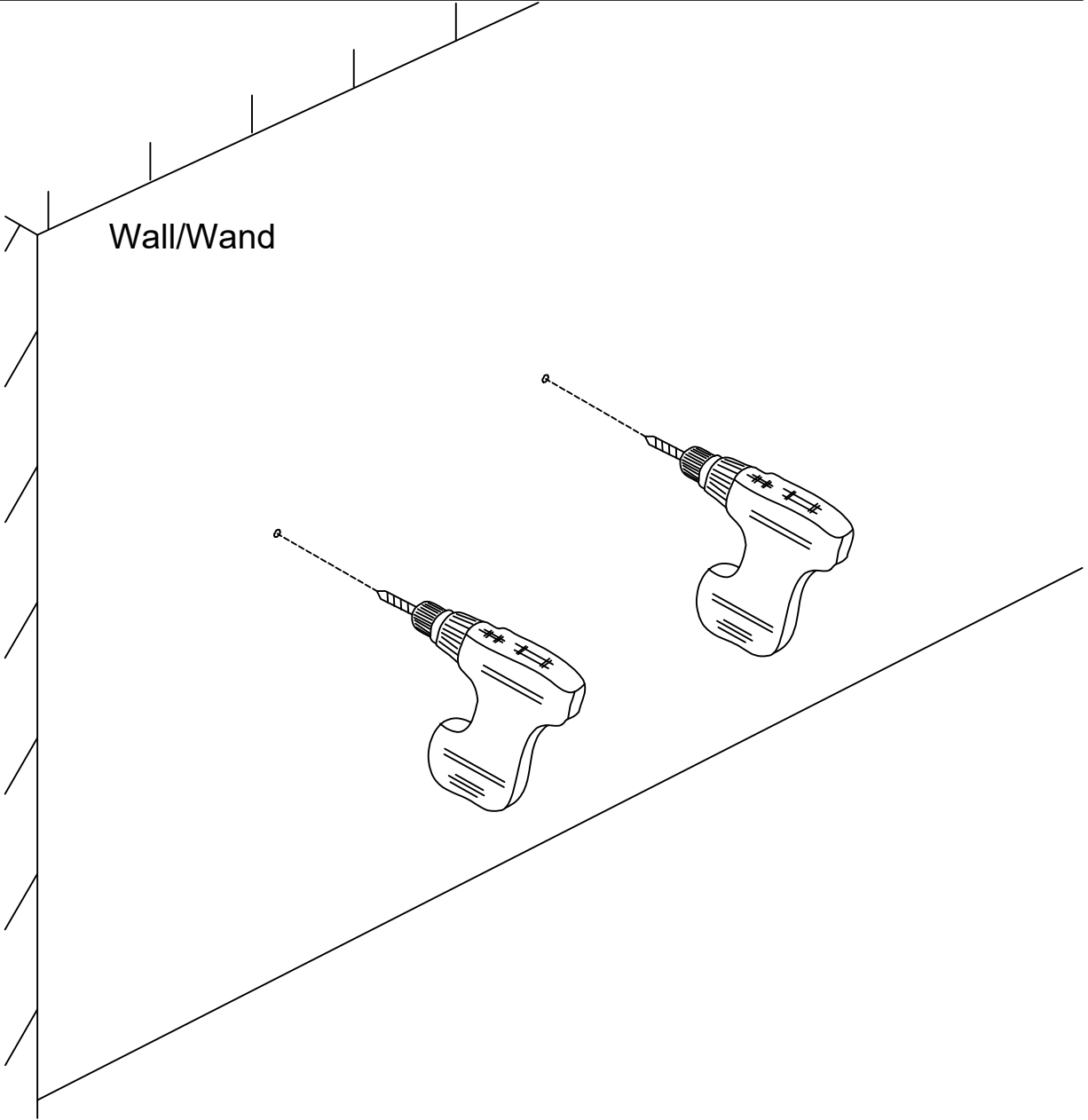


STEP 15

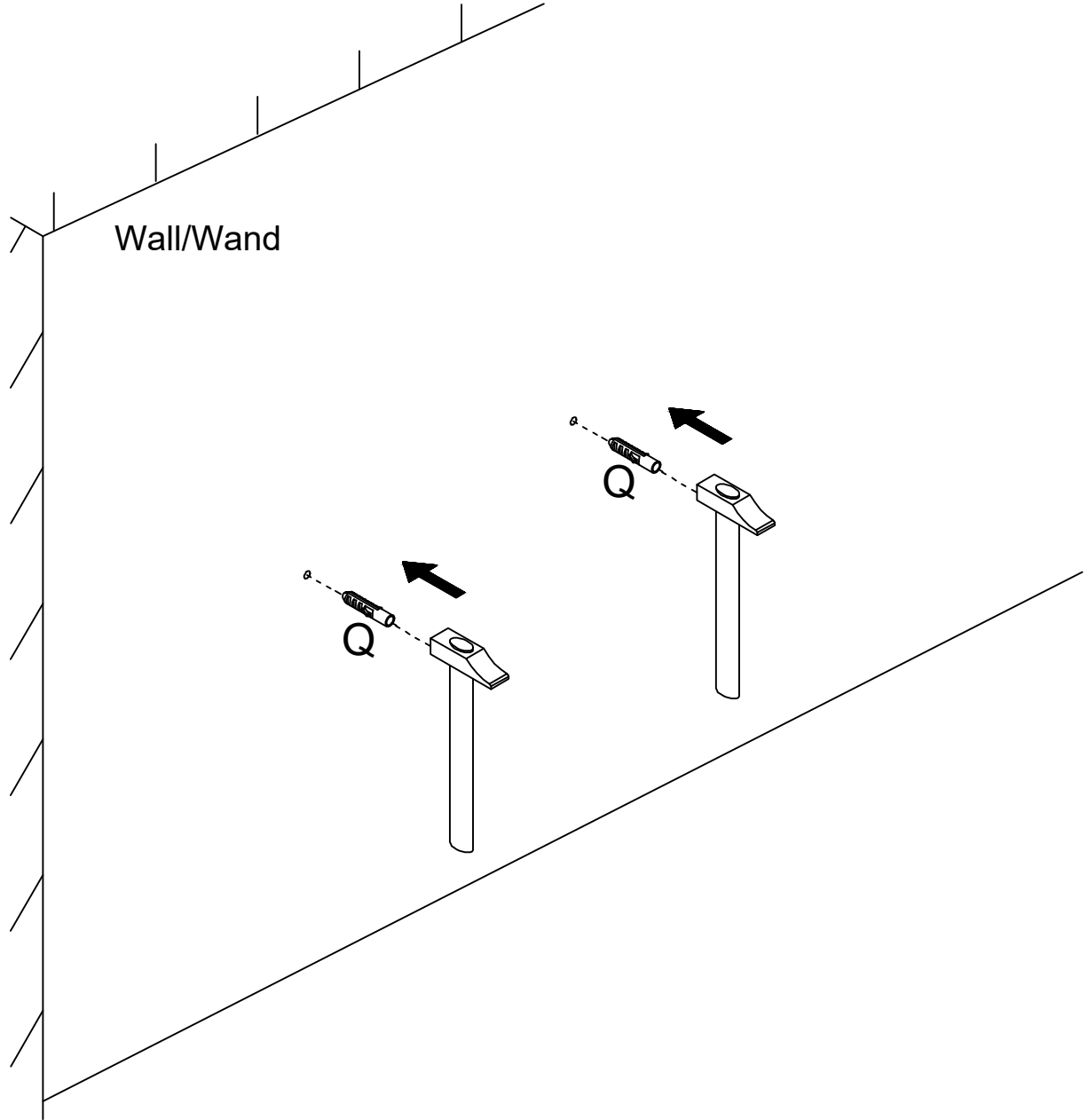
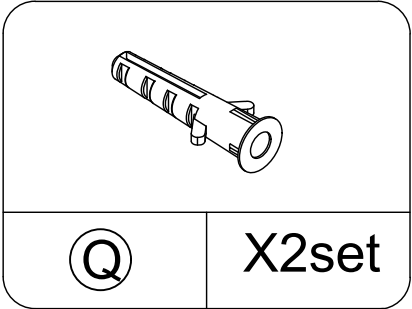


Insert the plastic buckle into the back plate slot, screw through the hole in the plastic buckle and lock it in place.

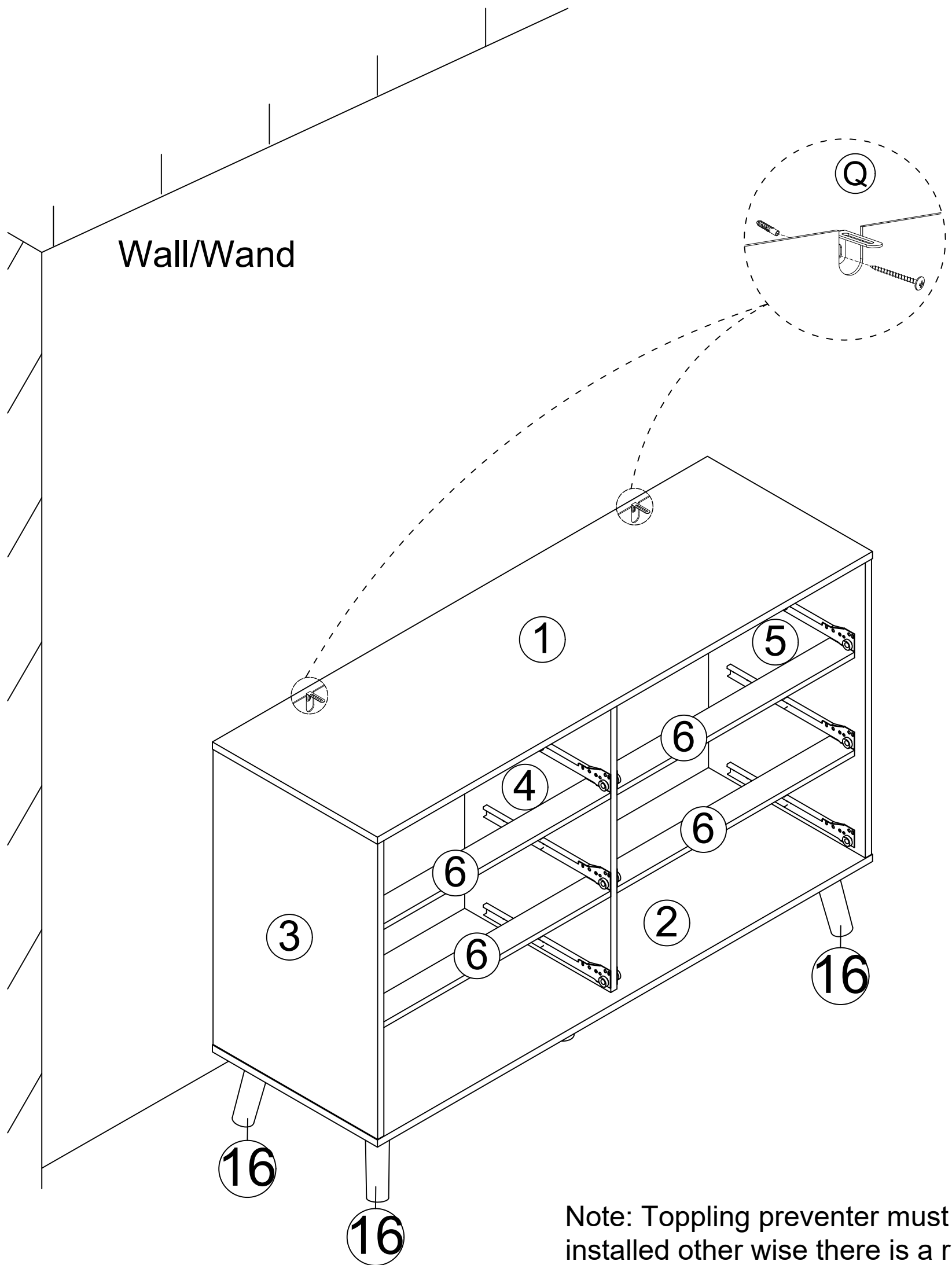
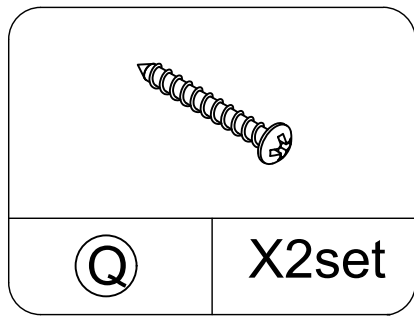
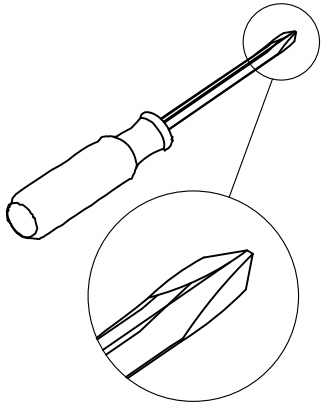
STEP16



STEP17

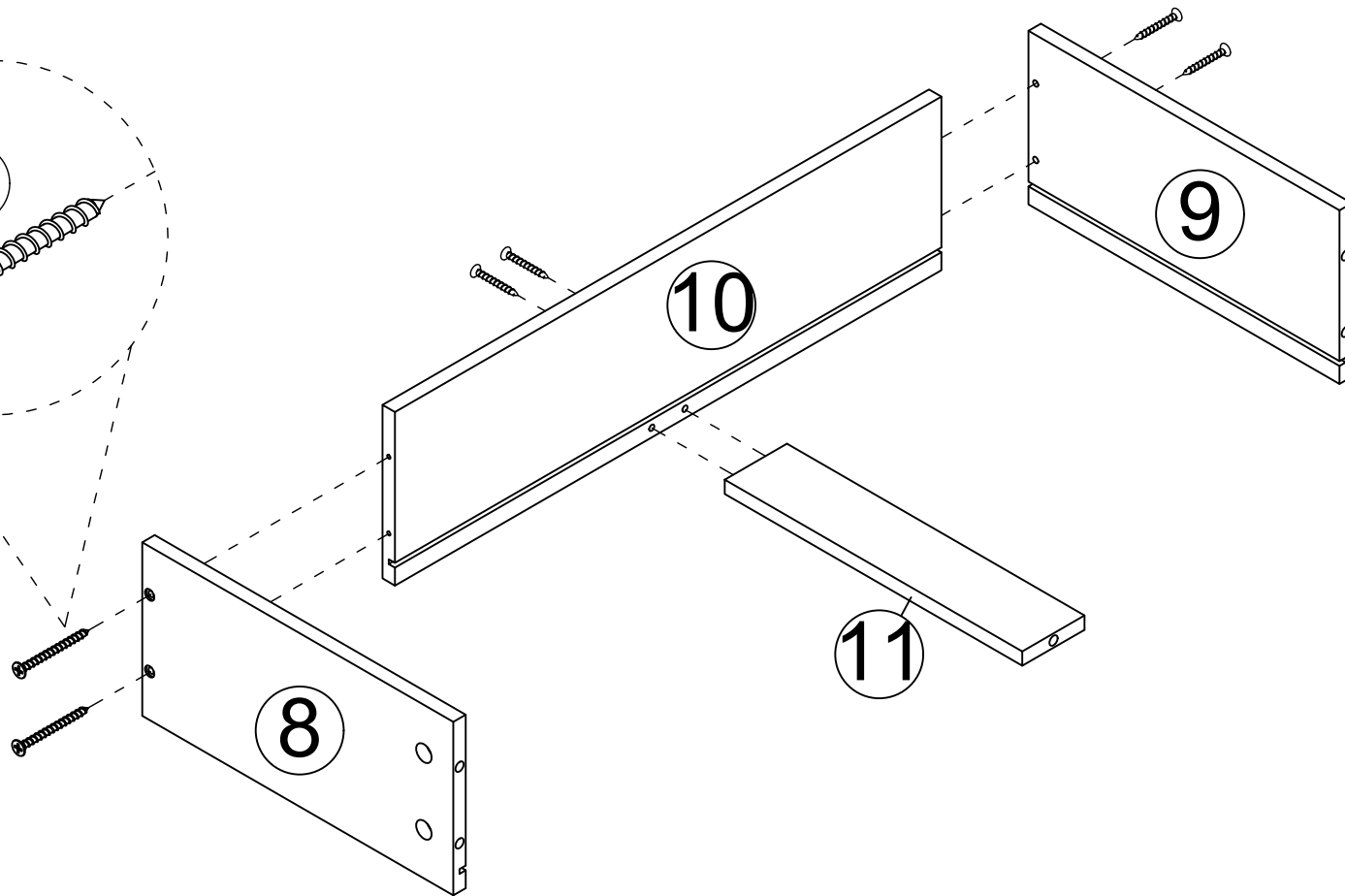
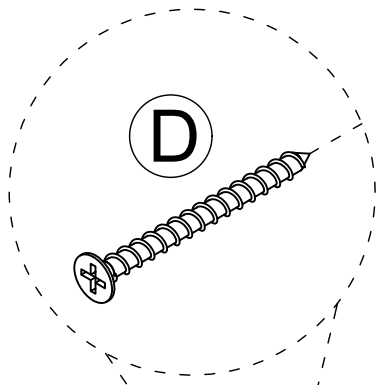
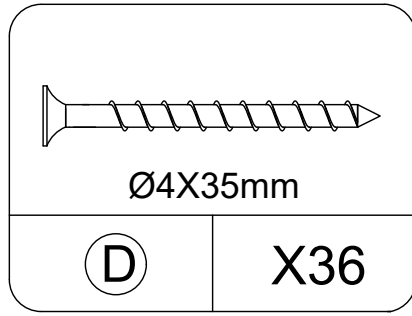
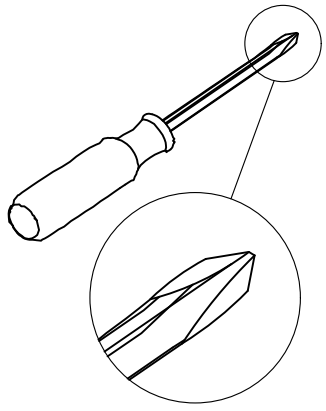


STEP18



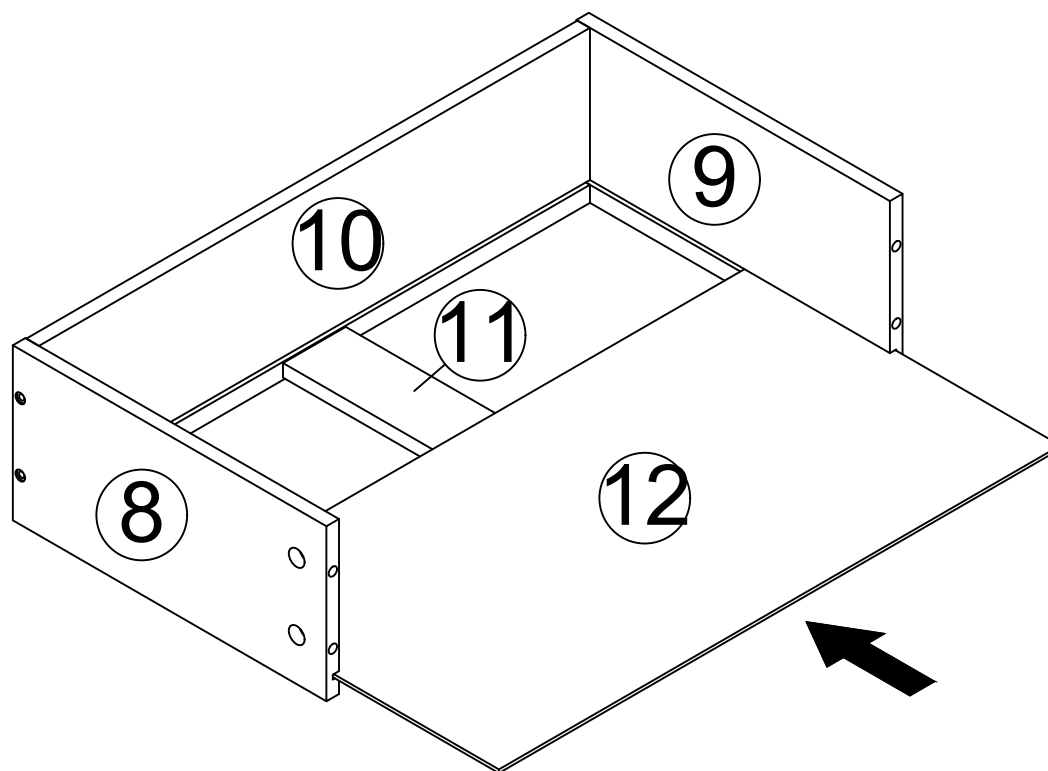
Note: Topping preventer must be installed other wise there is a risk of tipping

STEP19



X6

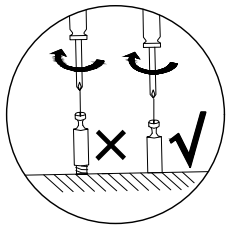
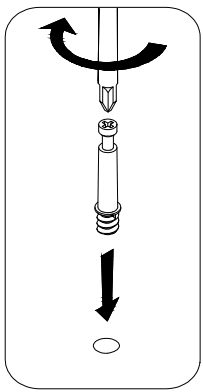
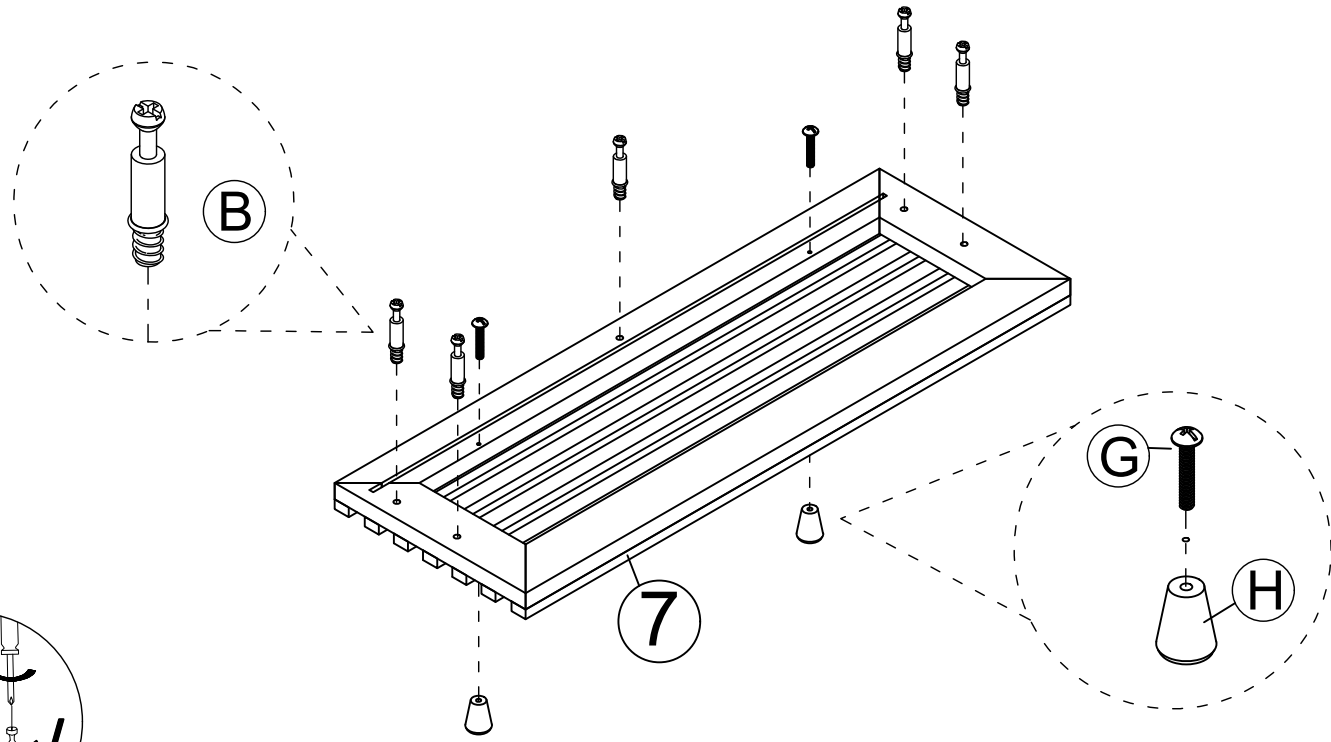
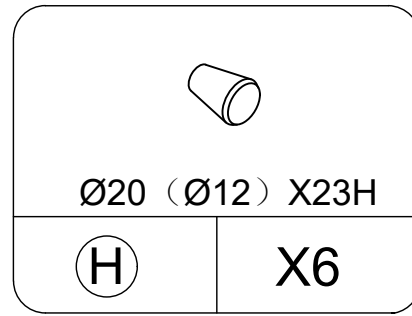
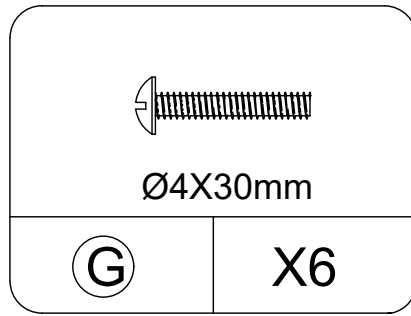
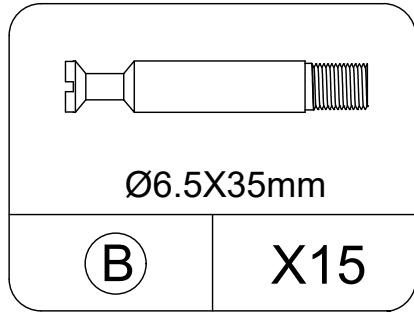
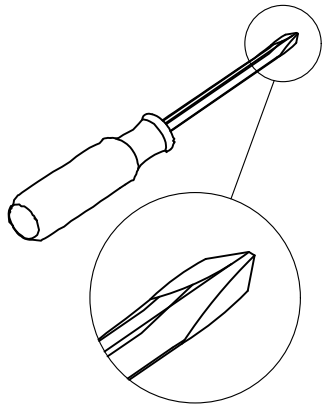
STEP20



The thin backplate must be fully installed into the slot or it will prevent proper installation.

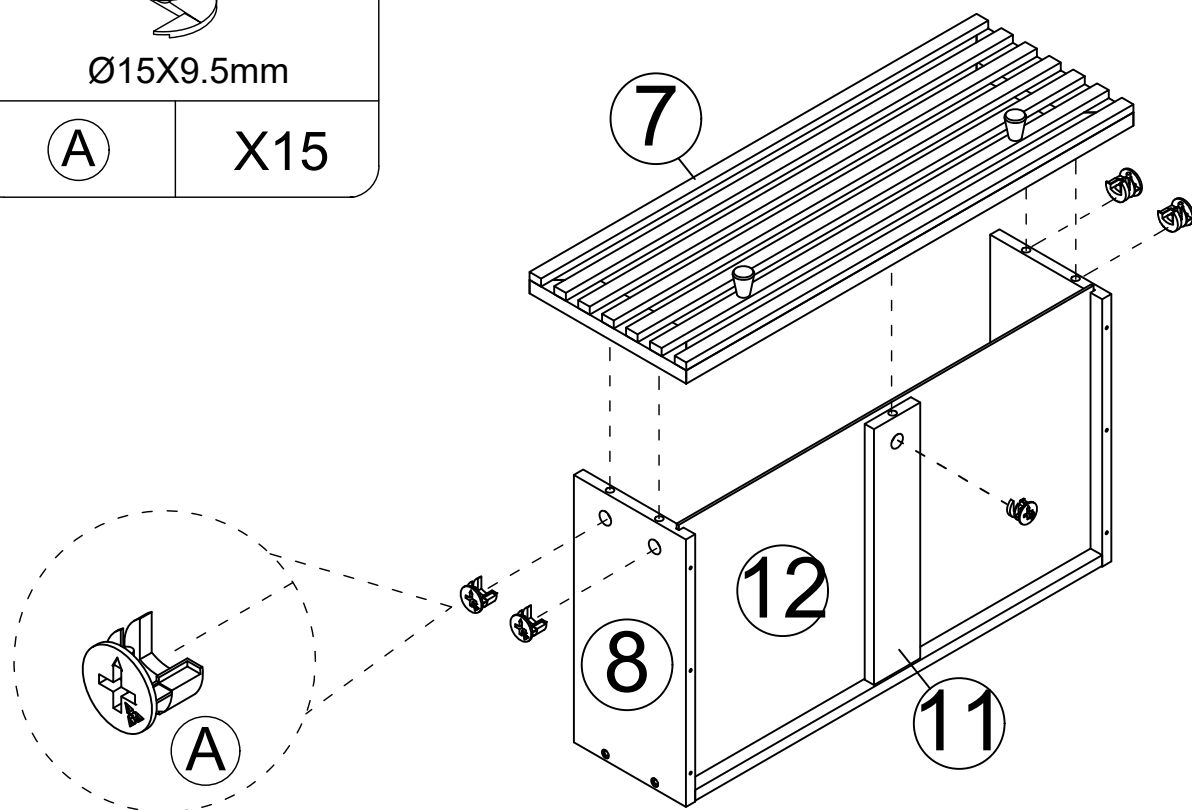
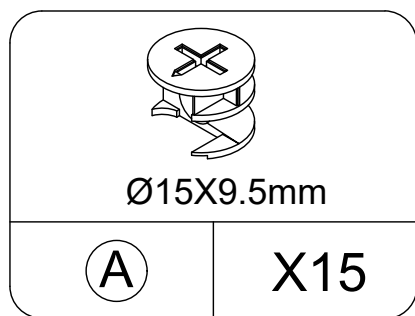
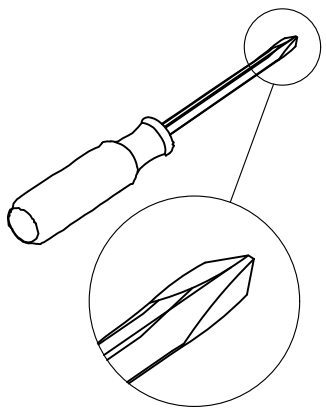
X6

STEP21

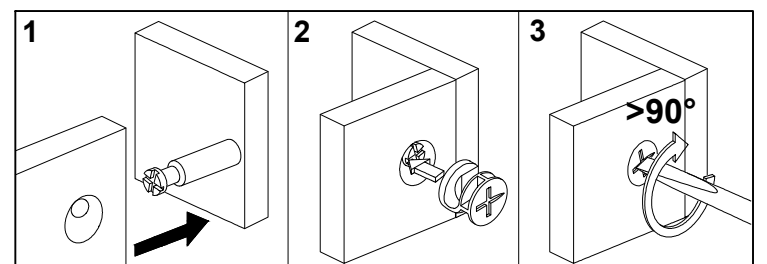


X3

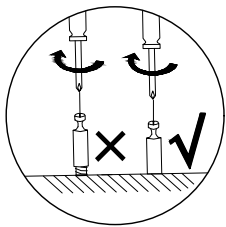
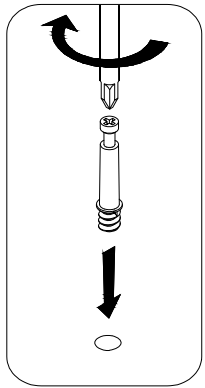
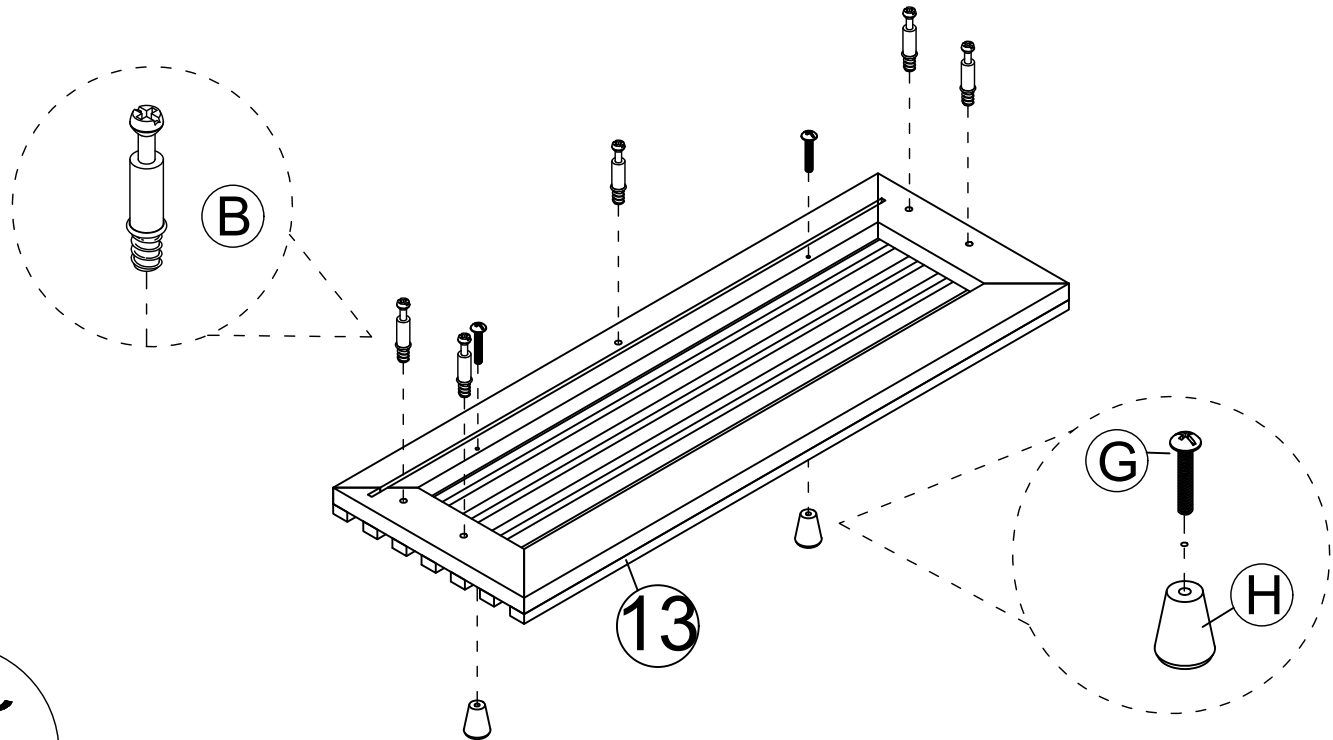
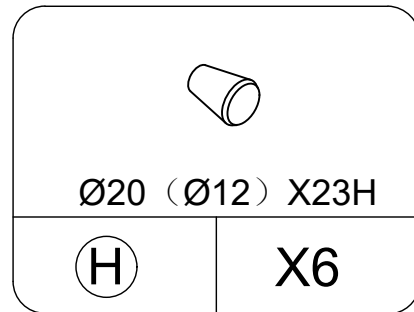
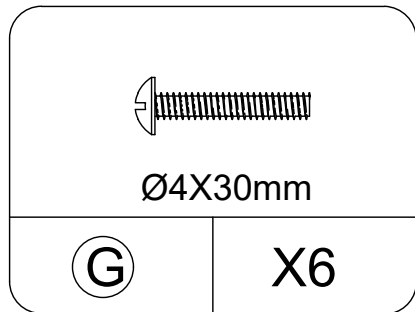
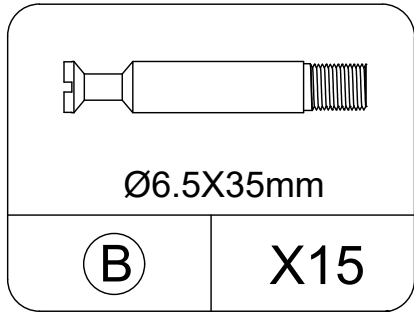
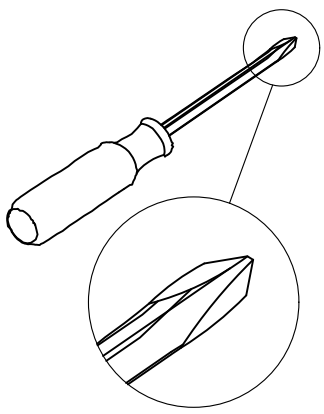
STEP22



X3

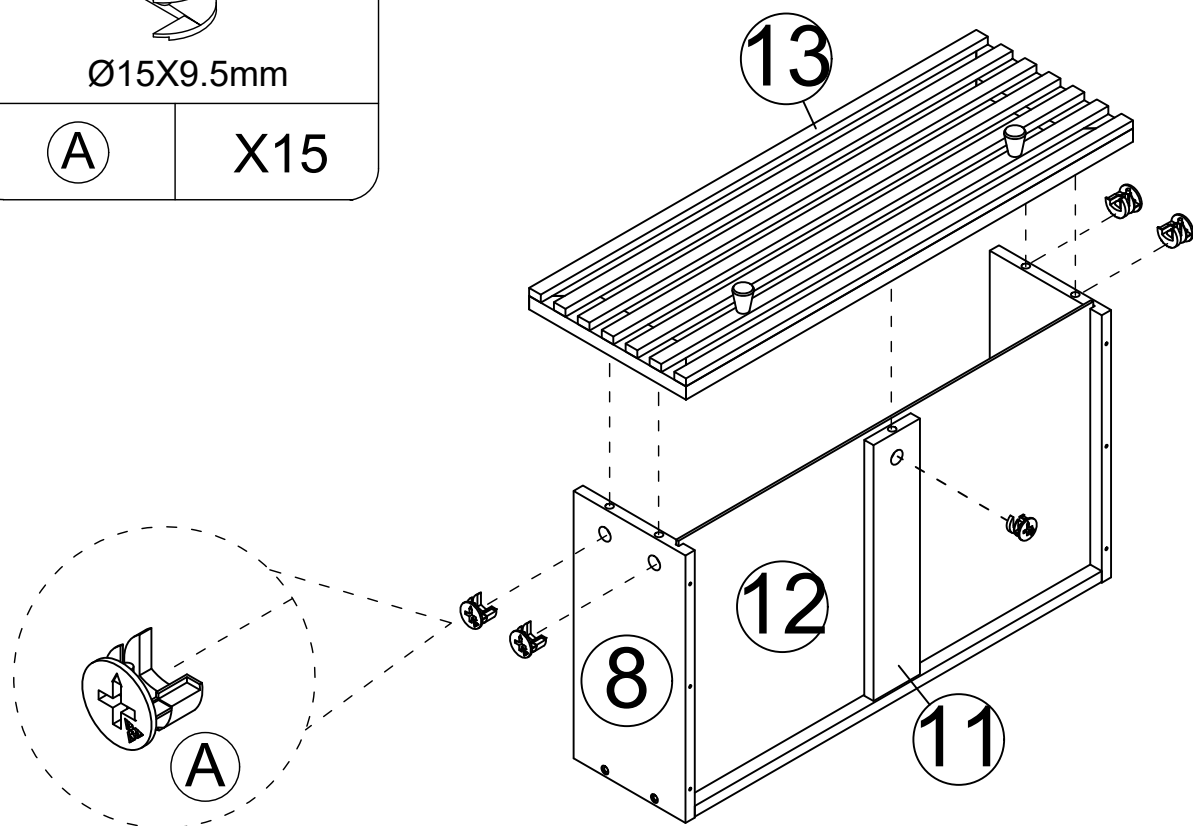
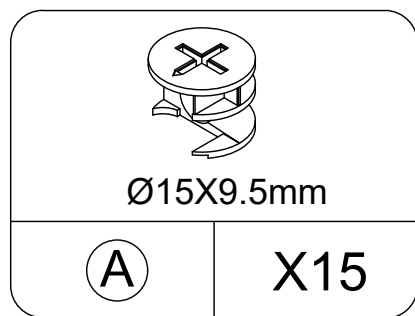
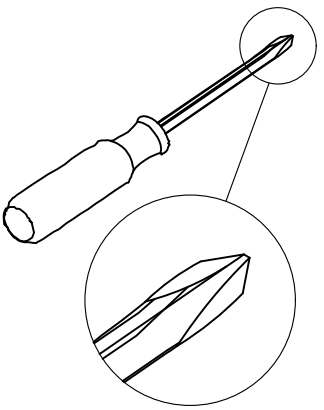


STEP23

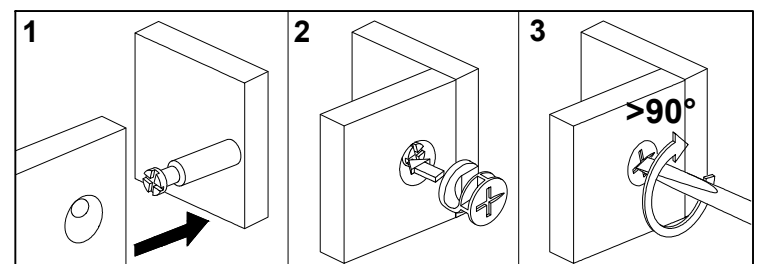


X3

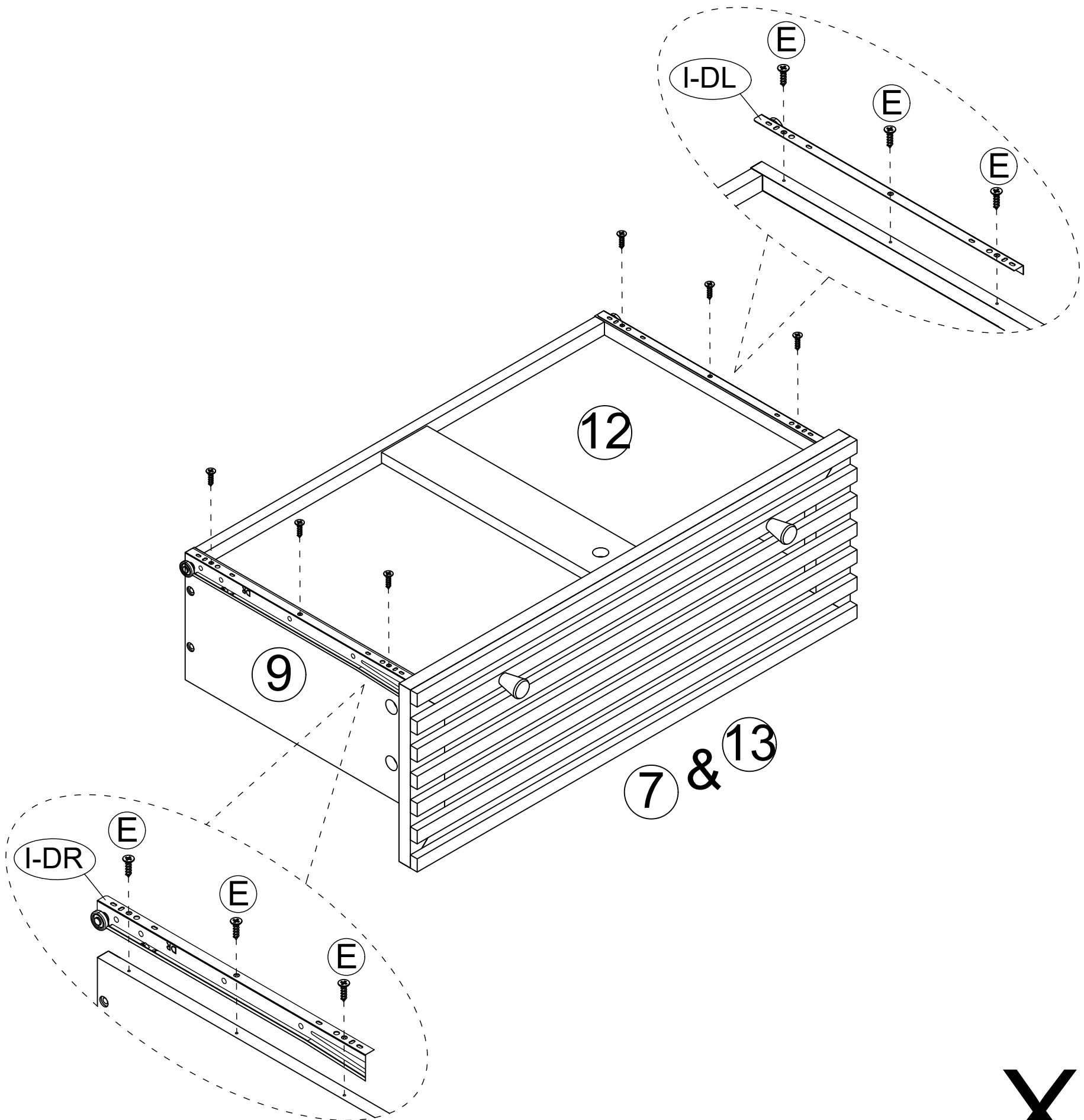
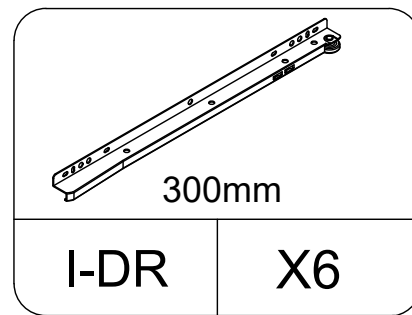
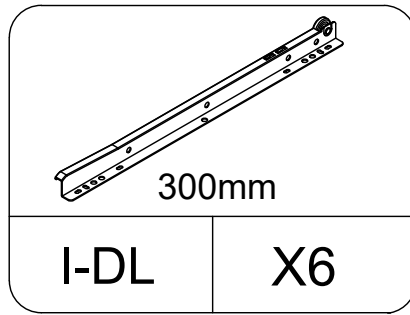
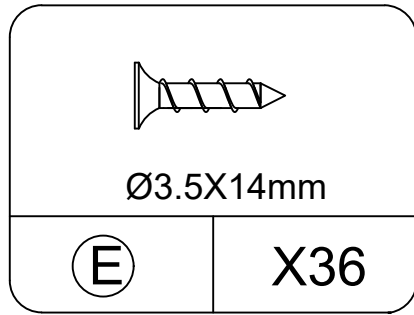
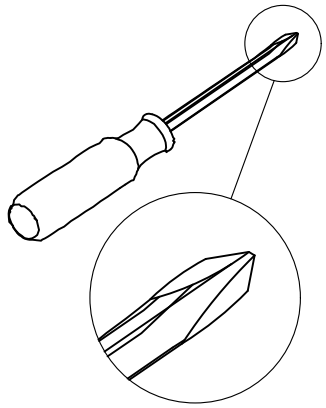
STEP24



X3



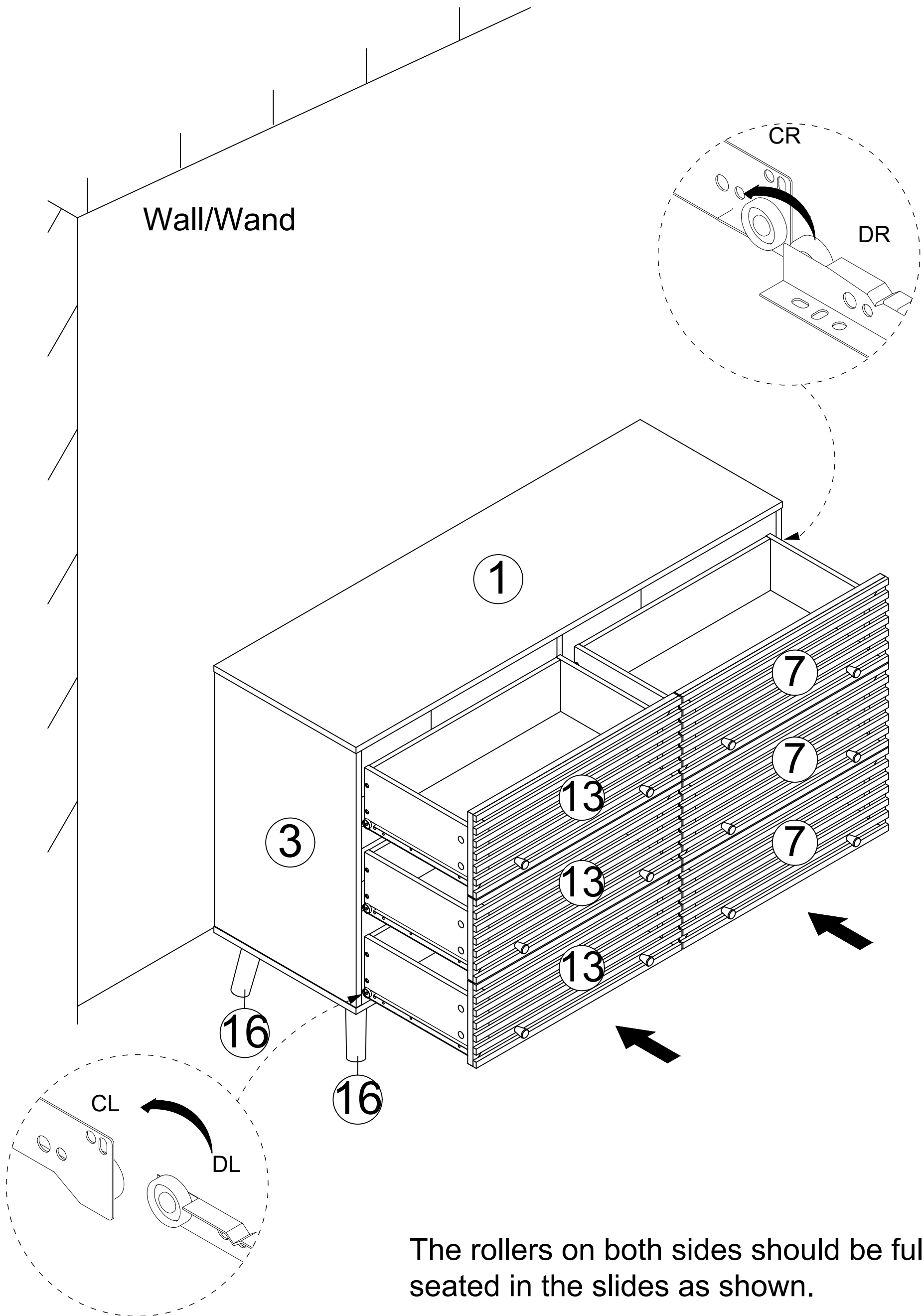
STEP25



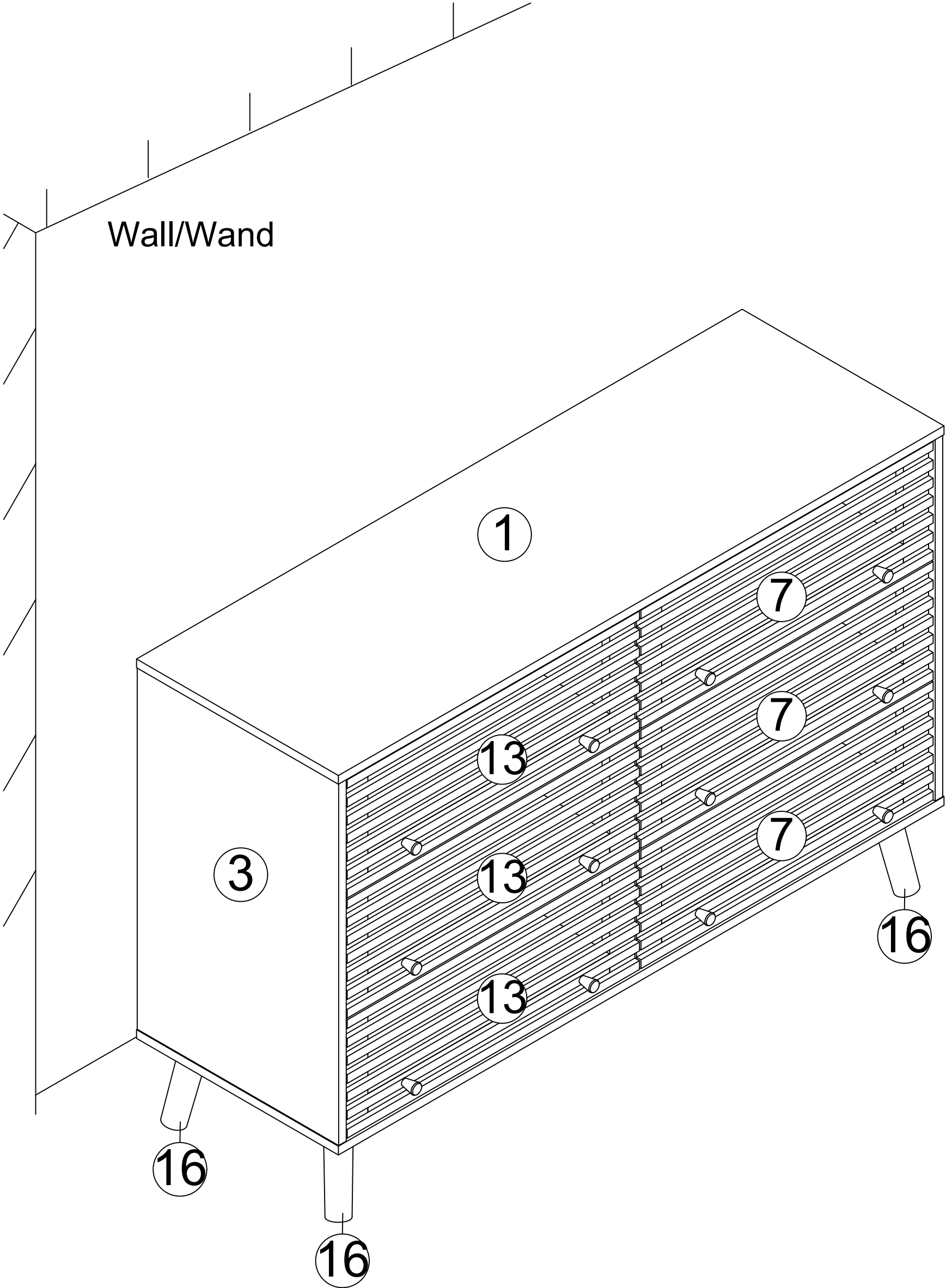
X6

Lock the slides onto the plate according to the holes shown in the illustration.

STEP 26



STEP27





WARNING



Children have died from furniture tipover. To reduce the risk of furniture tipover:

- ALWAYS install tipover restraint provided.
- NEVER put a TV on this product.
- NEVER allow children to stand, climb or hang on drawers, doors, or shelves.
- NEVER open more than one drawer at a time.
- Place heaviest items in the lowest drawers.

