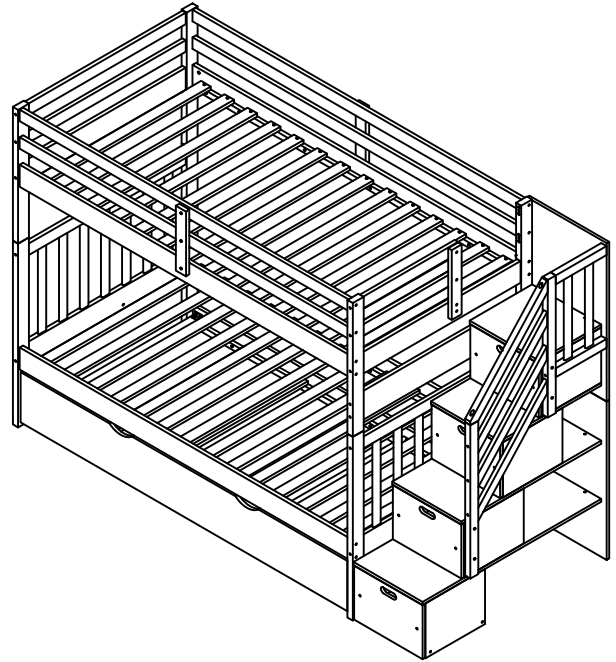
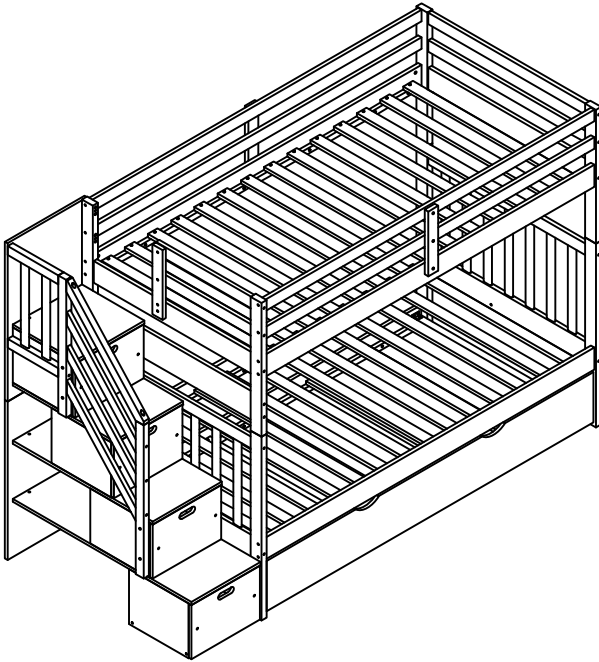


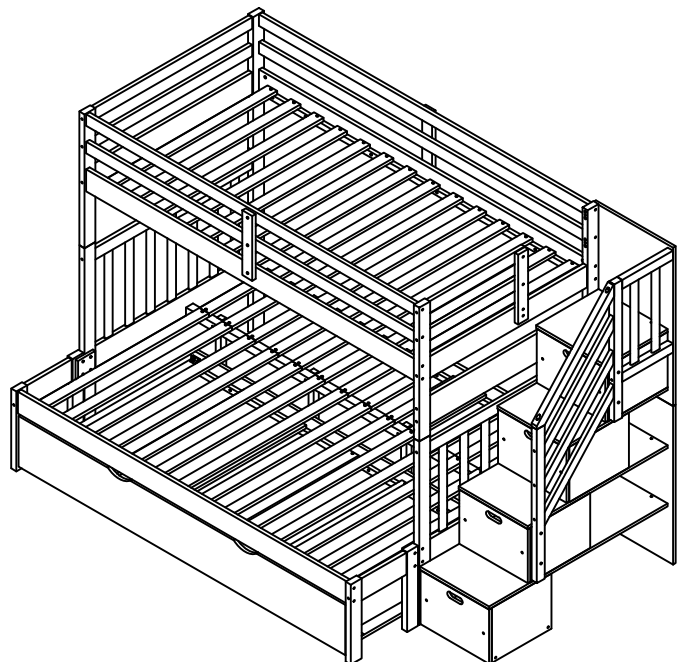
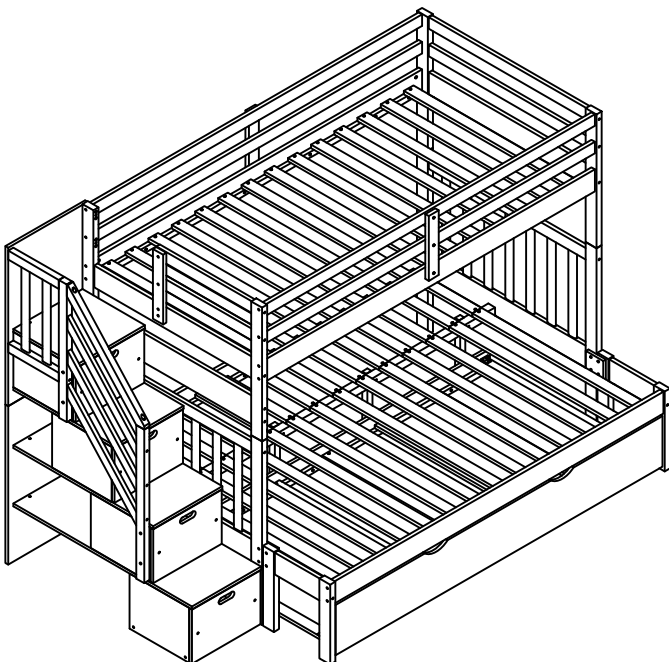
# ASSEMBLY INSTRUCTIONS

## TWIN OVER TWIN / FULL BUNK BED

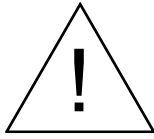
TWIN - TWIN



TWIN - FULL



# ASSEMBLY INSTRUCTIONS



## **SAFETY WARNINGS**



1. This bed is designed for use only mattress (es) meeting the following specifications on the upper bunk, and lower bunk:

**Upper bunk (bunk bed and tribed included)**

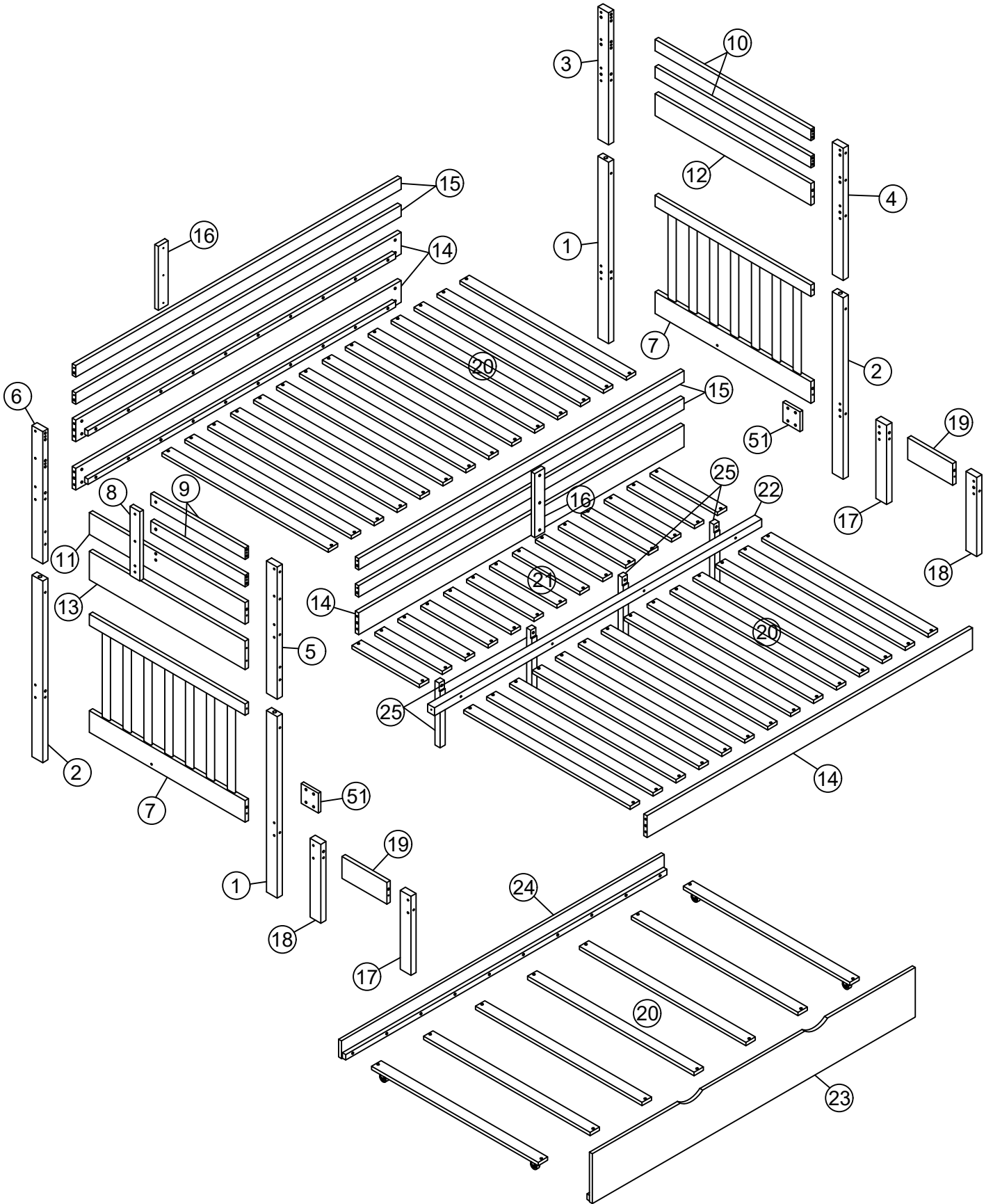
<b>Bed Type</b>	<b>Length</b>	<b>Width</b>	<b>Thickness</b>
Twin Standard	74" - 75"	37 $\frac{1}{2}$ " - 38 $\frac{1}{2}$ "	6" max

**Lower bunk**

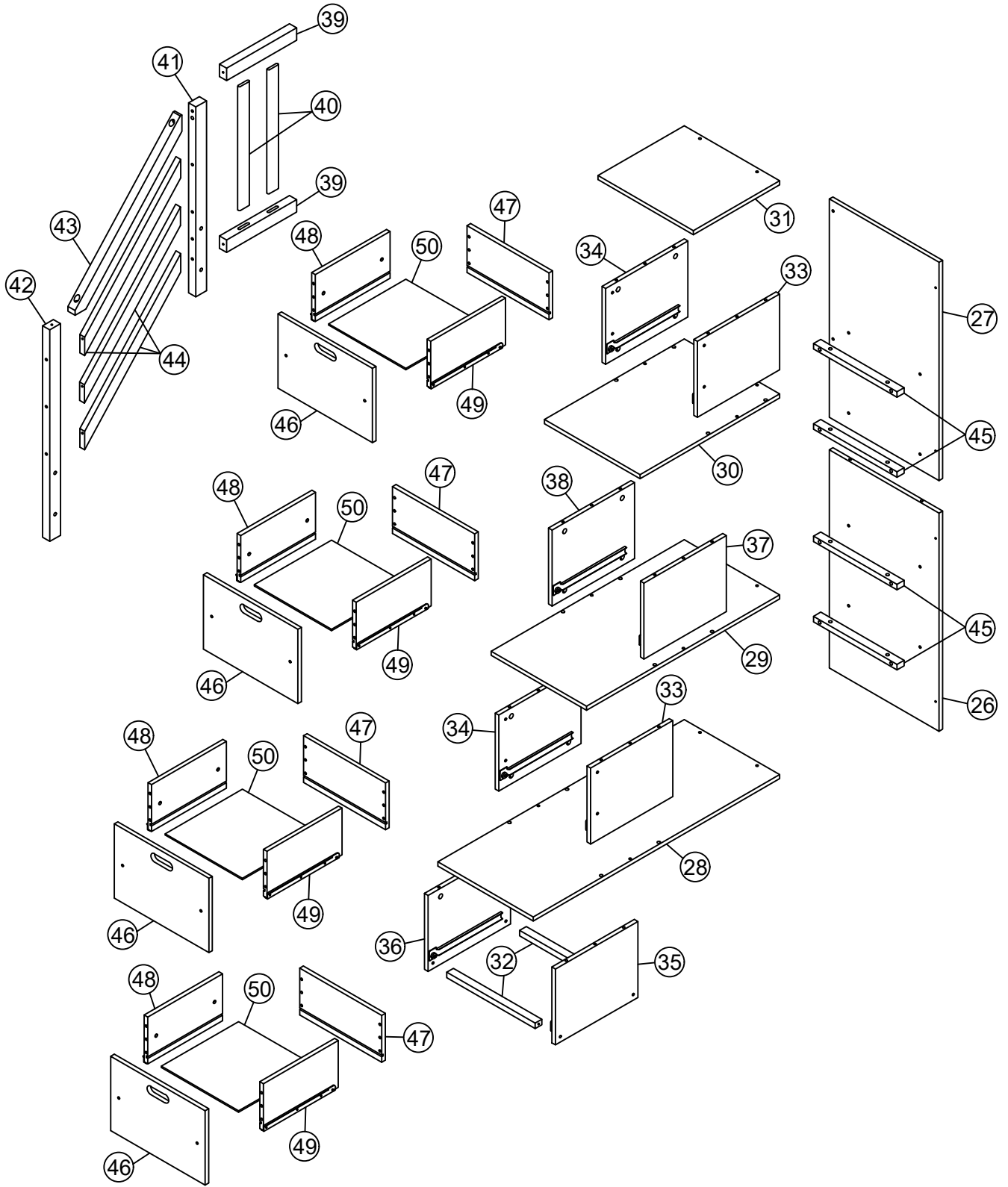
<b>Bed Type</b>	<b>Length</b>	<b>Width</b>	<b>Thickness</b>
Twin Standard	74" - 75"	37 $\frac{1}{2}$ " - 38 $\frac{1}{2}$ "	8"
Full Standard	74" - 75"	53" - 54"	8"

2. Replacement parts, including additional guardrails, maybe obtained from any of our dealers
3. Follow the information on the warnings appearing on the upper bunk bed end structure and on the carton. Do not remove warning label from bed.
4. Always use the recommended size mattresses or mattress supports, or both, to help prevent the likelihood of entrapment or falls.
5. Surface of mattress must be at least 5" (127mm) below the upper edge of guardrails.
6. Do not allow children under 6 years of age to use the upper bunk.
7. Periodically check and ensure that the guardrail, ladder, and other components are in their proper position, free from damage, and that all connectors are tight.
8. Do not allow horseplay on or under the bed and prohibit jumping on the bed.
9. Always use the ladder for entering and leaving the upper bunk.
10. Do not use substitute part. Contact the manufacture or dealer for replacement part.
11. Use of a night light may provide added safety precaution for a child using the upper bunk.
12. Always use guardrails on both long sides of the upper bunk. If the bunk bed will be placed next to the wall, the guardrail that runs the full length of the bed should be placed against the wall to prevent entrapment between the bed and wall.
13. The use of water or sleep flotation mattresses is prohibited.
14. **STRANGULATION HAZARD** - Never attach or hang items to any part of the bunk bed that are not designed for use with the bed; for example, but not limited to, hook, belts and jump ropes.
15. Keep these instruction for future reference.
16. Prohibit more than one person on upper bunk
17. We recommend assembling your bunk bed on the shipping carton to protect your floor or carpet.
18. Be certain all staples are out of the box before beginning assembly on the shipping carton.

# ASSEMBLY INSTRUCTIONS

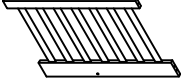
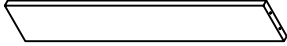
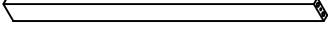
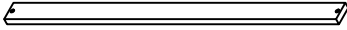
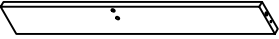
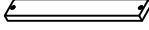
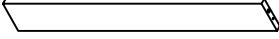


# ASSEMBLY INSTRUCTIONS



# ASSEMBLY INSTRUCTIONS

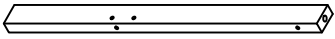
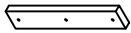
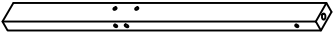
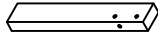
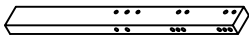
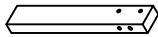

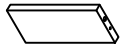
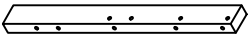
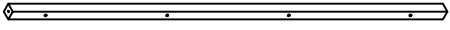

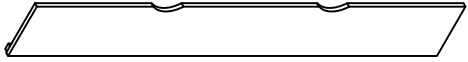
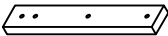
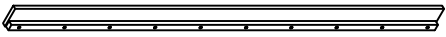
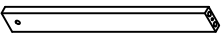
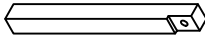
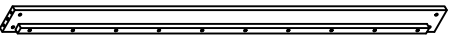
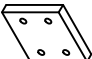
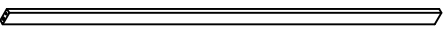
## PARTS LIST

<b>7</b>	 Lower head board & foot board	2pcs	<b>13</b>	 Upper left headboard bottom rail	1pc
<b>10</b>	 Upper right headboard rails	2pcs	<b>20</b>	 Slats - upper(14pcs) / lower (14pcs)/ trundle (7pcs)	35pcs
<b>11</b>	 Upper left headboard center rail	1pc	<b>21</b>	 Slats - lower (14pcs)	14pcs
<b>12</b>	 Upper right headboard bottom rail	1pc			

# ASSEMBLY INSTRUCTIONS

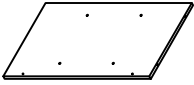
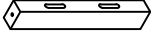
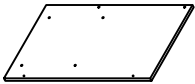
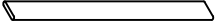

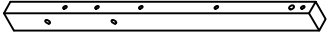

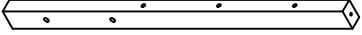

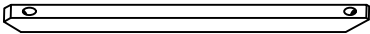
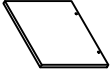
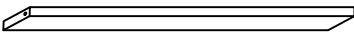
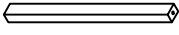
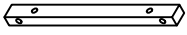
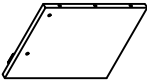
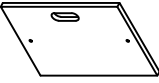
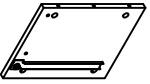
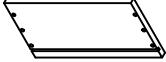
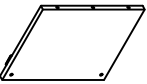

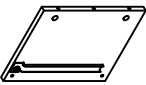

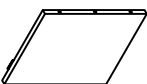
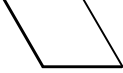
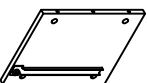
## PARTS LIST

(Hardware in this #SKU)

<b>1</b>	 Lower - Left front leg & right back leg	2pcs	<b>16</b>	 Upper guardrails supports	2pcs
<b>2</b>	 Lower - Left back leg & right front leg	2pcs	<b>17</b>	 Full bed ext left front leg & right back leg	2pcs
<b>3</b>	 Upper right back leg	1pc	<b>18</b>	 Full bed ext left back leg & right front leg	2pcs
<b>4</b>	 Upper right front leg	1pc	<b>19</b>	 Full bed ext side panels	2pcs
<b>5</b>	 Upper left front leg	1pc	<b>22</b>	 Lower full ext support rail	1pc
<b>6</b>	 Upper left back leg	1pc	<b>23</b>	 Trundle front panel	1pc
<b>8</b>	 Upper left headboard support	1pc	<b>24</b>	 Trundle back rail	1pc
<b>9</b>	 Upper left headboard rails	2pcs	<b>25</b>	 Center rails support legs	4pcs
<b>14</b>	 Upper & lower side rails	4pcs	<b>51</b>	 Full ext connect supports	2pcs
<b>15</b>	 Upper guardrails	4pcs			










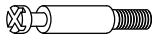





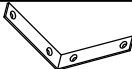

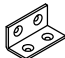




# ASSEMBLY INSTRUCTIONS

## PARTS LIST

<b>26</b>	 Ladder back bottom panel	1pc	<b>39</b>	 Ladder support	2pcs
<b>27</b>	 Ladder back top panel	1pc	<b>40</b>	 Ladder supports	2pcs
<b>28</b>	 Ladder bottom step panel	1pc	<b>41</b>	 Ladder support	1pc
<b>29</b>	 Ladder center step panel	1pc	<b>42</b>	 Ladder support	1pc
<b>30</b>	 Ladder center step panel	1pc	<b>43</b>	 Ladder rail	1pc
<b>31</b>	 Ladder top step panel	1pc	<b>44</b>	 Ladder rails	3pcs
<b>32</b>	 Ladder bottom drawer support	2pcs	<b>45</b>	 Storage ladder support	4pcs
<b>33</b>	 Ladder drawer side panel	2pcs	<b>46</b>	 Drawer front panels	4pcs
<b>34</b>	 Ladder drawer side panels	2pcs	<b>47</b>	 Drawer back panels	4pcs
<b>35</b>	 Ladder drawer side panel	1pc	<b>48</b>	 Drawer left panels	4pcs
<b>36</b>	 Ladder drawer side panel	1pc	<b>49</b>	 Drawer right panels	4pcs
<b>37</b>	 Ladder drawer side panel	1pc	<b>50</b>	 Drawer bottom panels	4pcs
<b>38</b>	 Ladder drawer side panel	1pc			

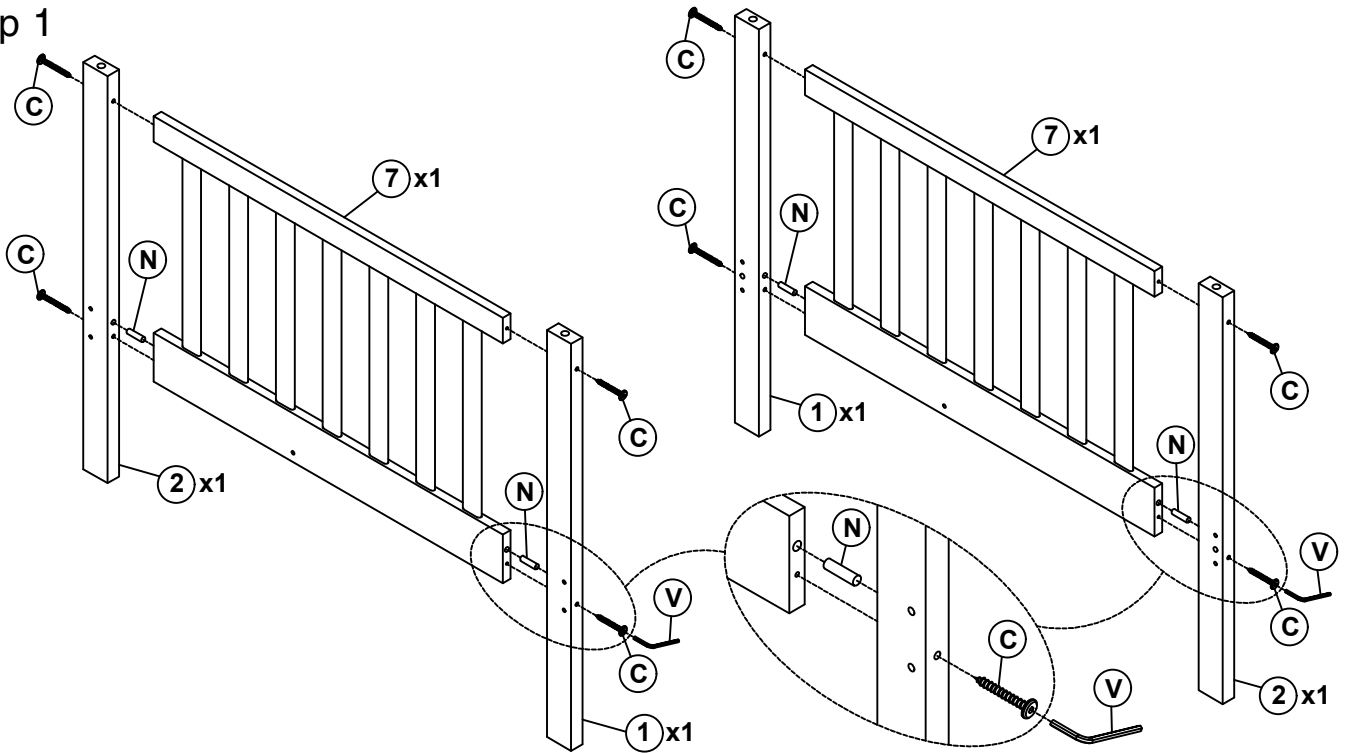
# ASSEMBLY INSTRUCTIONS




## HARDWARE LIST

<b>A</b>	Ø4x30		108PCS	<b>L</b>	1/4x30		8PCS
<b>B</b>	Ø4x15		34PCS	<b>M</b>	Ø14x100		4PCS
<b>C</b>	6.5x110		27PCS	<b>N</b>	Ø10x40		41PCS
<b>D</b>	6.5x80		15PCS	<b>O</b>	Ø8x30		48PCS
<b>E</b>	6.5x60		5PCS	<b>P</b>	Ø 6.5x35		28PCS
<b>F</b>	6.5x50		4PCS	<b>Q</b>	Ø15x12		28PCS
<b>G</b>	1/4x75		16PCS	<b>R</b>	Ø38x46x38		4PCS
<b>H</b>	1/4x60		16PCS	<b>S</b>	95x95x20		2PCS
<b>I</b>	1/4x60		4PCS	<b>T</b>	40x20x20		2PCS
<b>J</b>	1/4x40		20PCS	<b>U</b>	15x15x2		1PC
<b>K</b>	1/4x35		4PCS	<b>V</b>	4x58		1PC

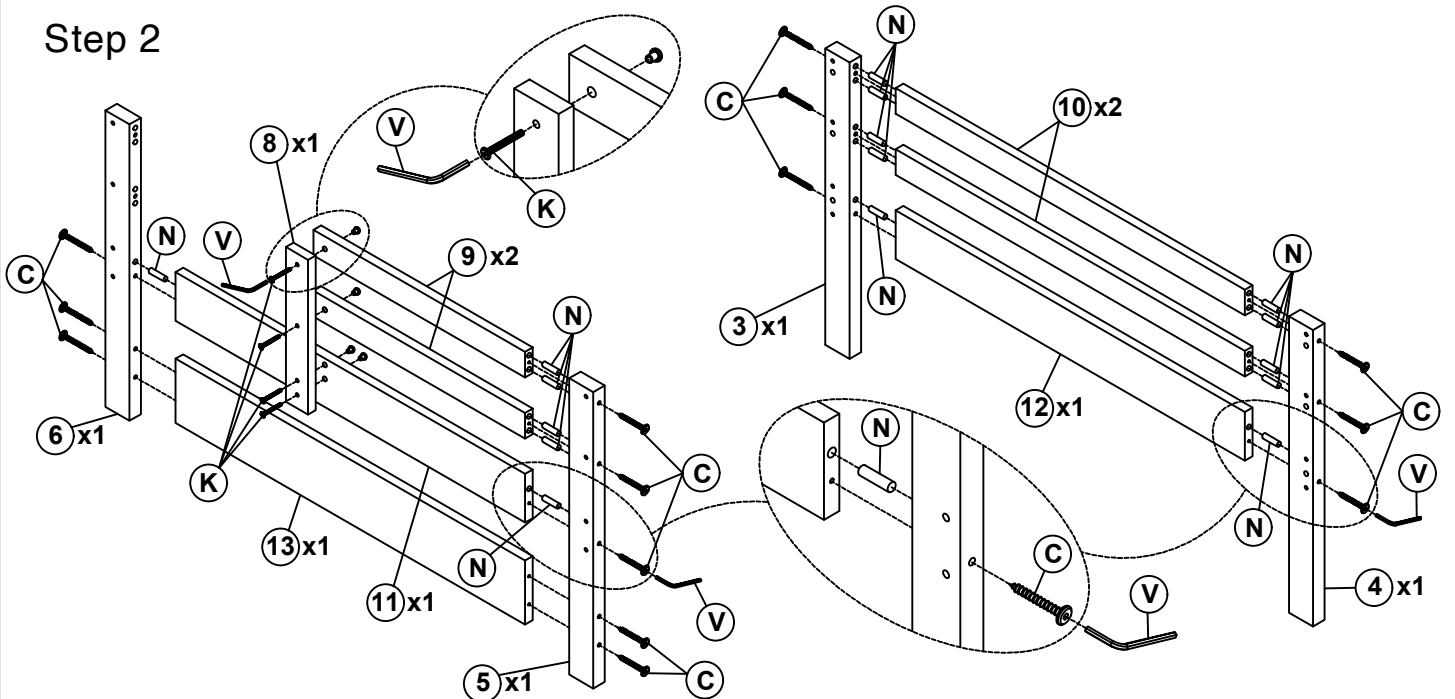
# ASSEMBLY INSTRUCTIONS





## Step 1



<b>V</b>	4x58		1PC		
<b>C</b>	6.5x110		8PCS	<b>N</b>	Ø10x40  4PCS

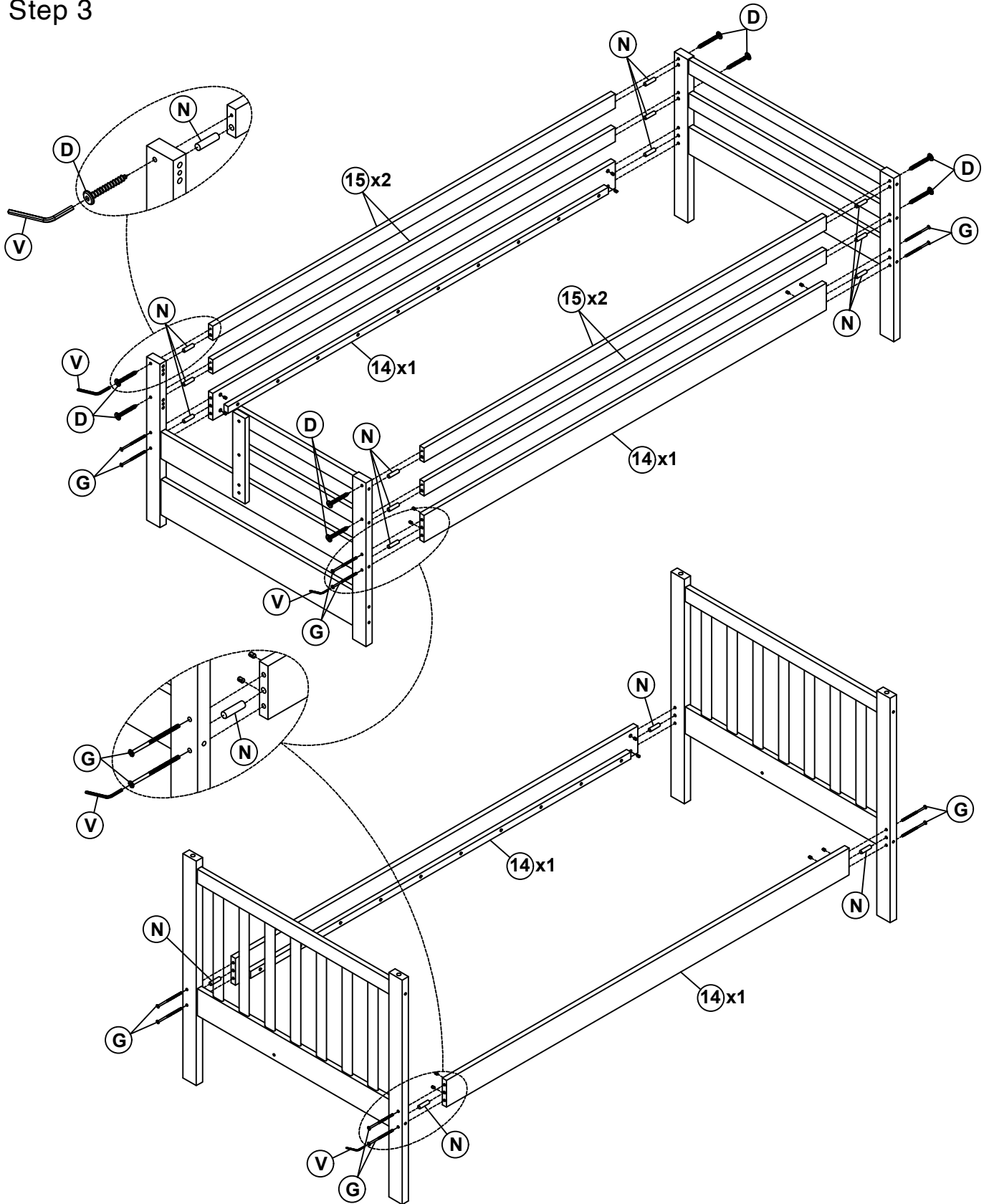
## Step 2








<b>V</b>	4x58		1PC	<b>K</b>	1/4x35  4PCS
<b>C</b>	6.5x110		14PCS	<b>N</b>	Ø10x40  16PCS

# ASSEMBLY INSTRUCTIONS

## Step 3

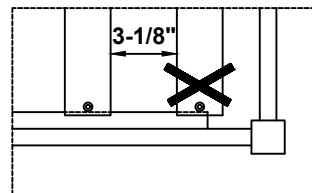
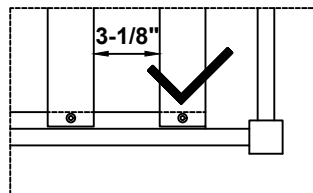
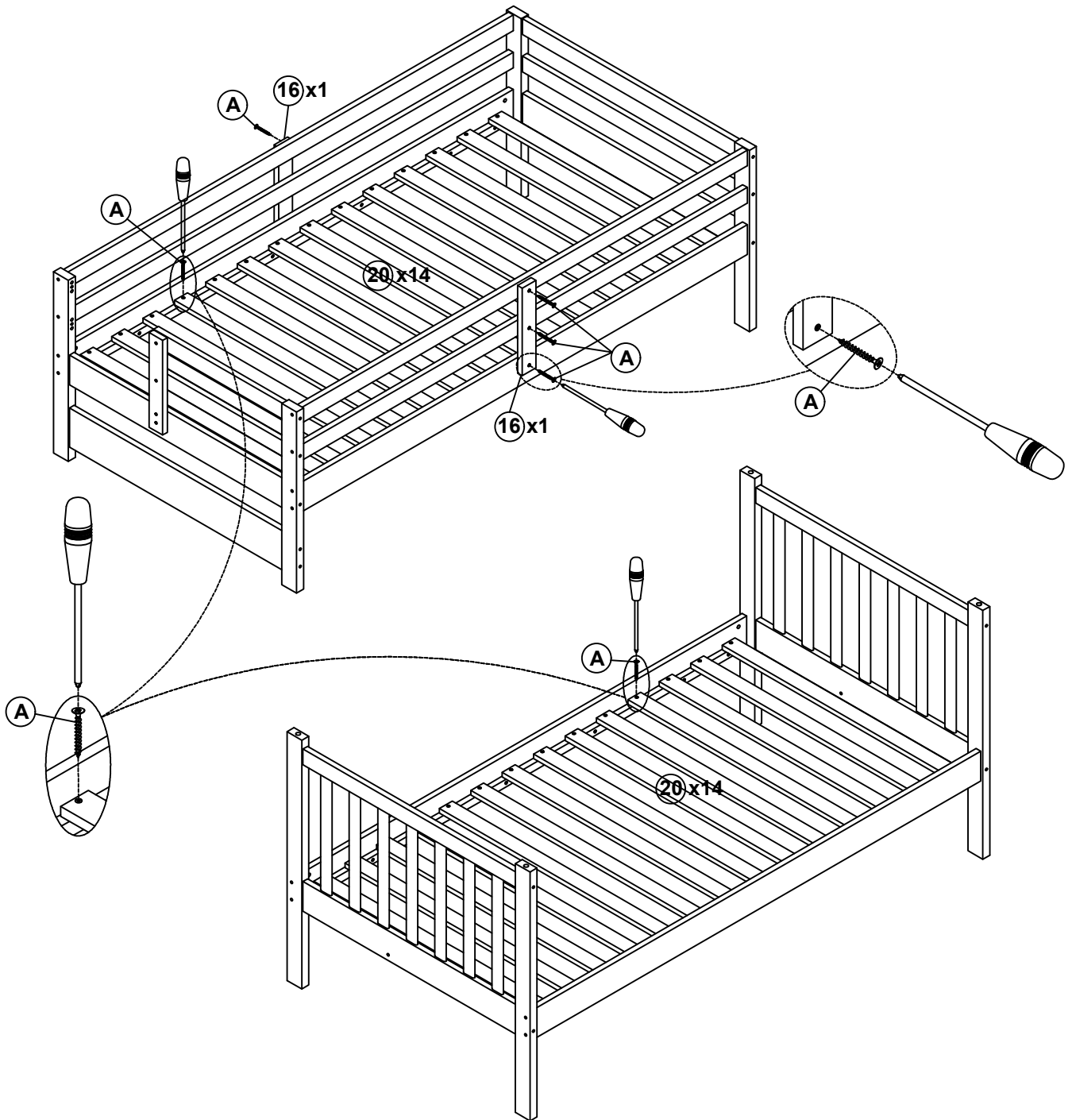


<b>N</b>	Ø10x40		16PCS	<b>D</b>	6.5x80		8PCS
<b>V</b>	4x58		1PC	<b>G</b>	1/4x75	 	16PCS

# ASSEMBLY INSTRUCTIONS

## Step 4

First attach 2pcs part 20 to the front and end of the frame between headboard.  
Then attach the remaining part 20 equidistantly between headboard



Note : Do not lock the screws of the bed slats to the outermost edge of the bed slats, you need to leave a certain space at the edges, otherwise it will cause the board to break

**A**

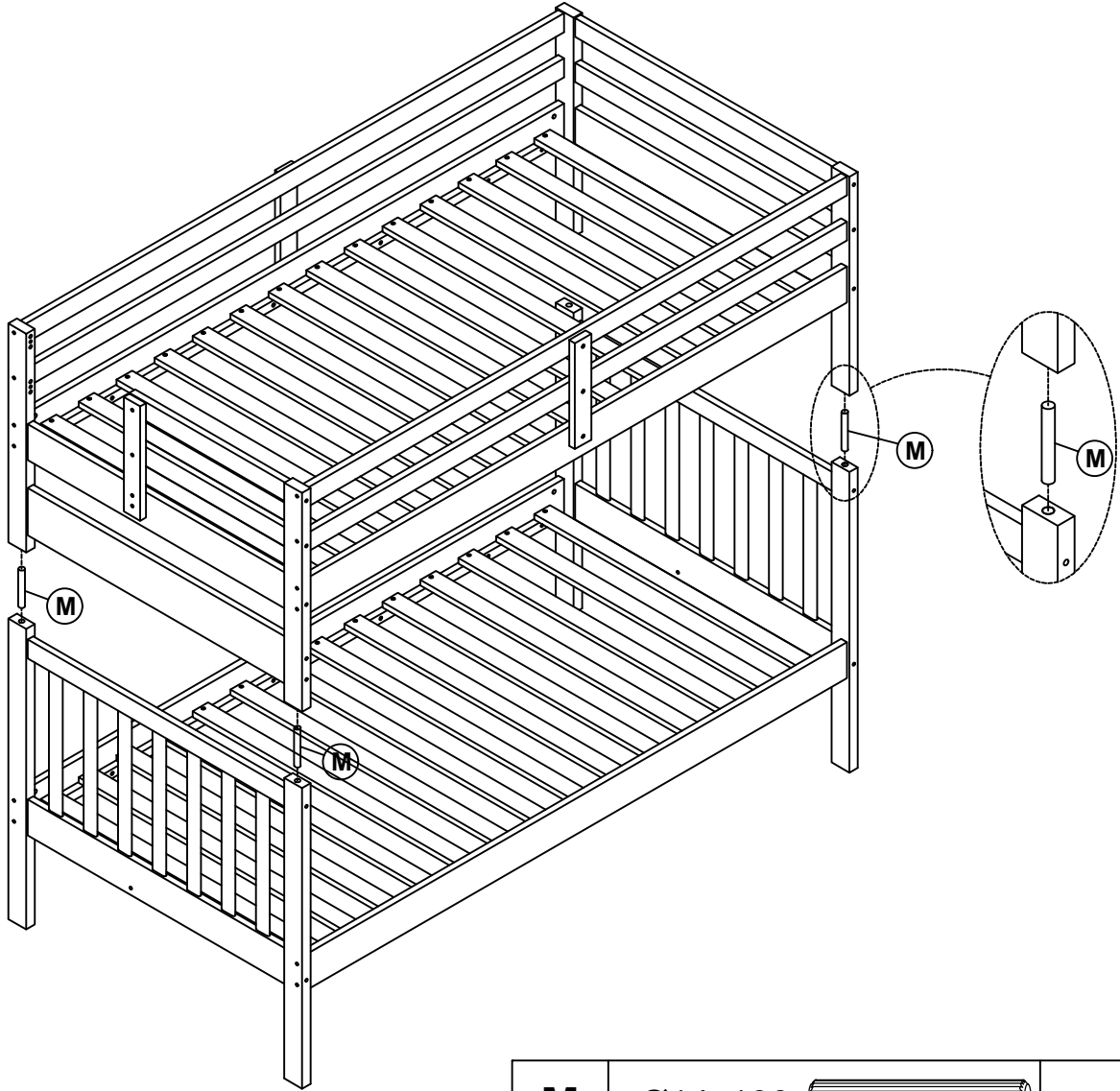
Ø4x30



62PCS

# ASSEMBLY INSTRUCTIONS

## Step 5



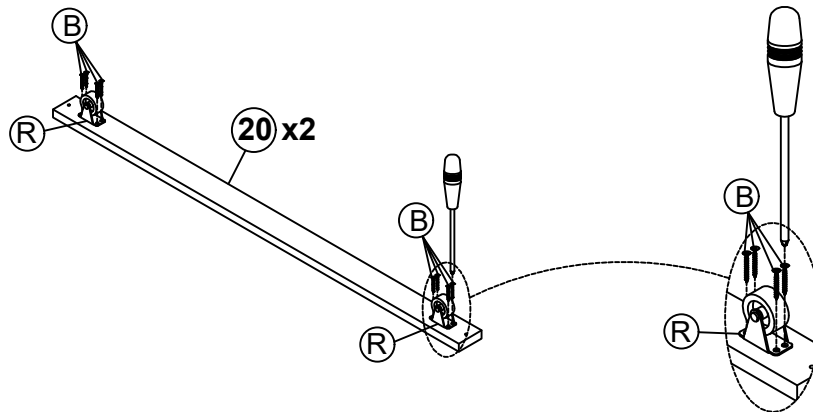
**M**

Ø14x100



4PCS

## Step 6



**B**

Ø4x15



16PCS

**R**

Ø38x46x38

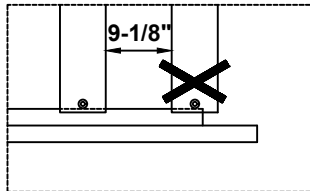
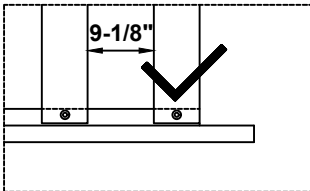
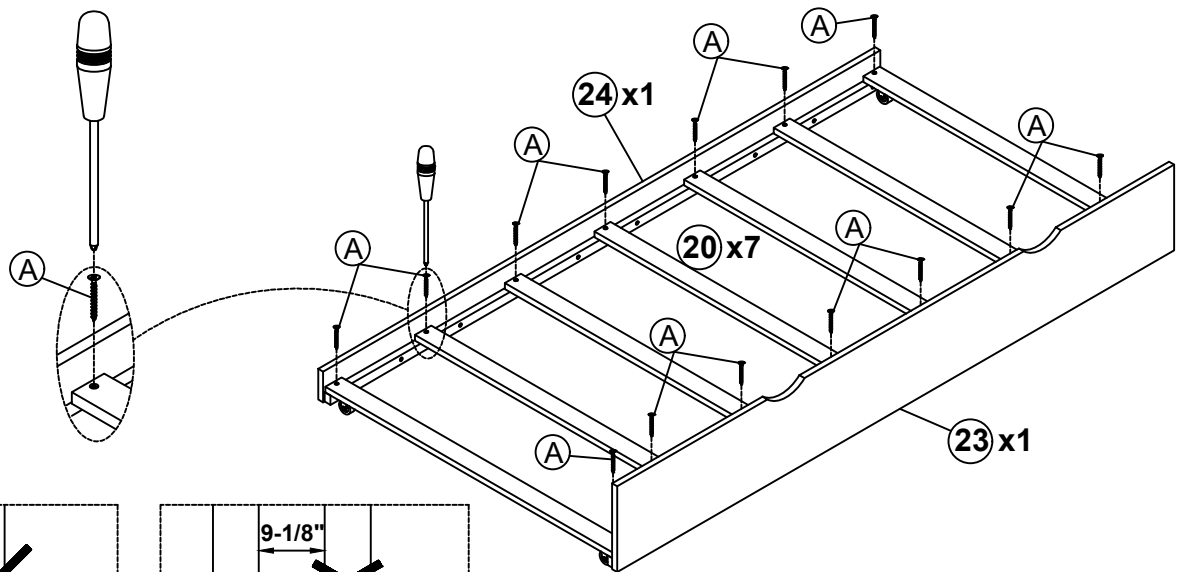


4PCS

# ASSEMBLY INSTRUCTIONS

## Step 7

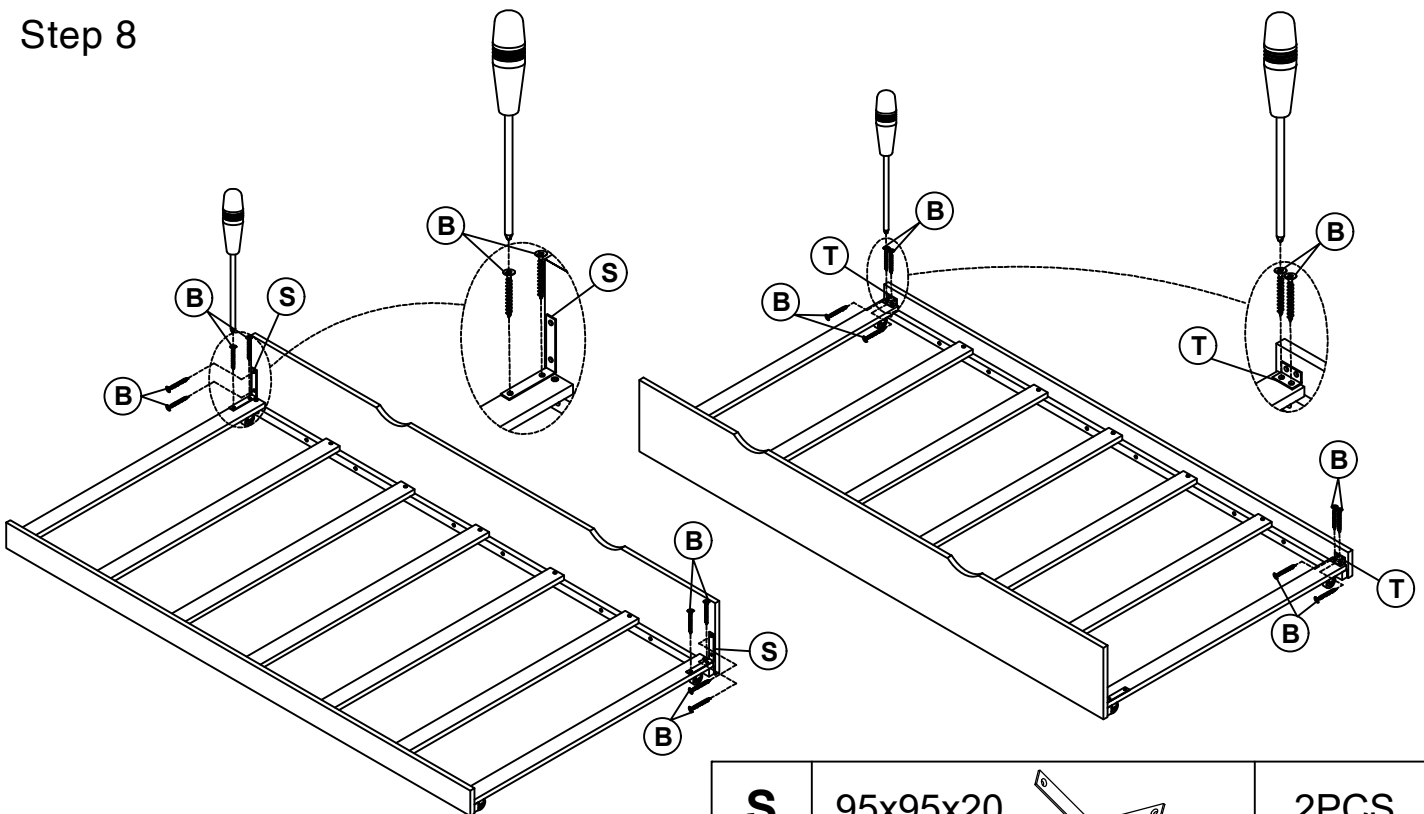
First attach 2pcs part 20 to the front and end of the frame, between side rails. Then attach the remaining part 20 equidistantly between side rails.




Note : Do not lock the screws of the bed slats to the outermost edge of the bed slats, you need to leave a certain space at the edges, otherwise it will cause the board to break

<b>A</b>	Ø4x30		14PCS
----------	-------	---	-------

## Step 8



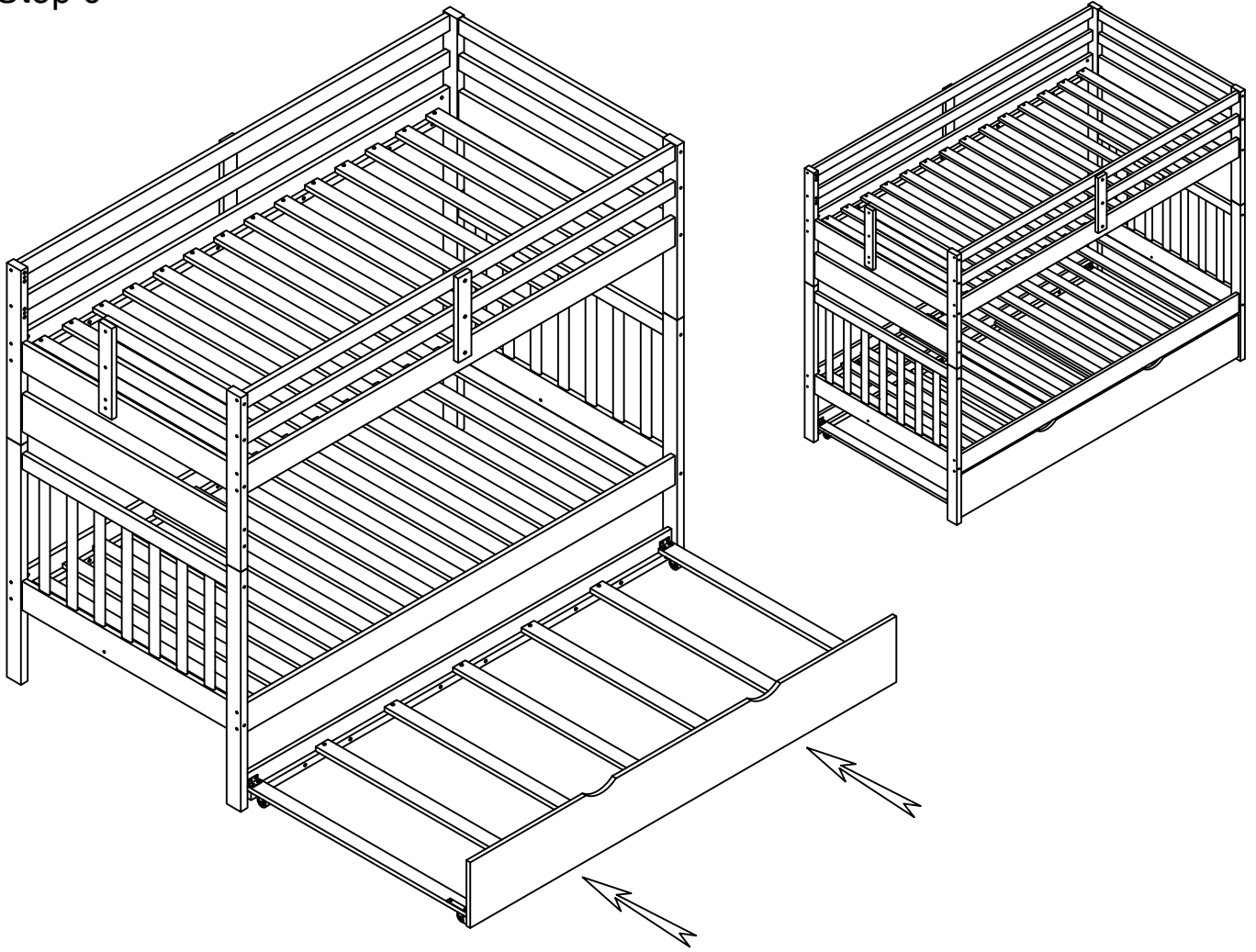
<b>B</b>	Ø4x15		16PCS
----------	-------	---	-------

<b>S</b>	95x95x20		2PCS
----------	----------	---	------

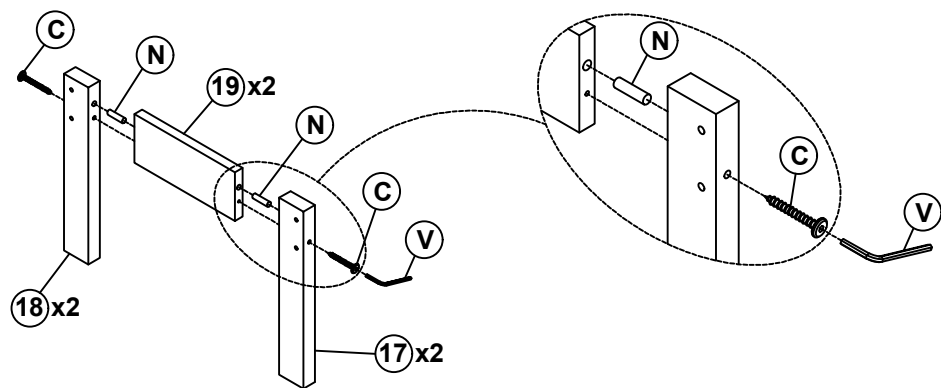
<b>T</b>	40x20x20		2PCS
----------	----------	---	------




# ASSEMBLY INSTRUCTIONS

## Step 9



## Step 10

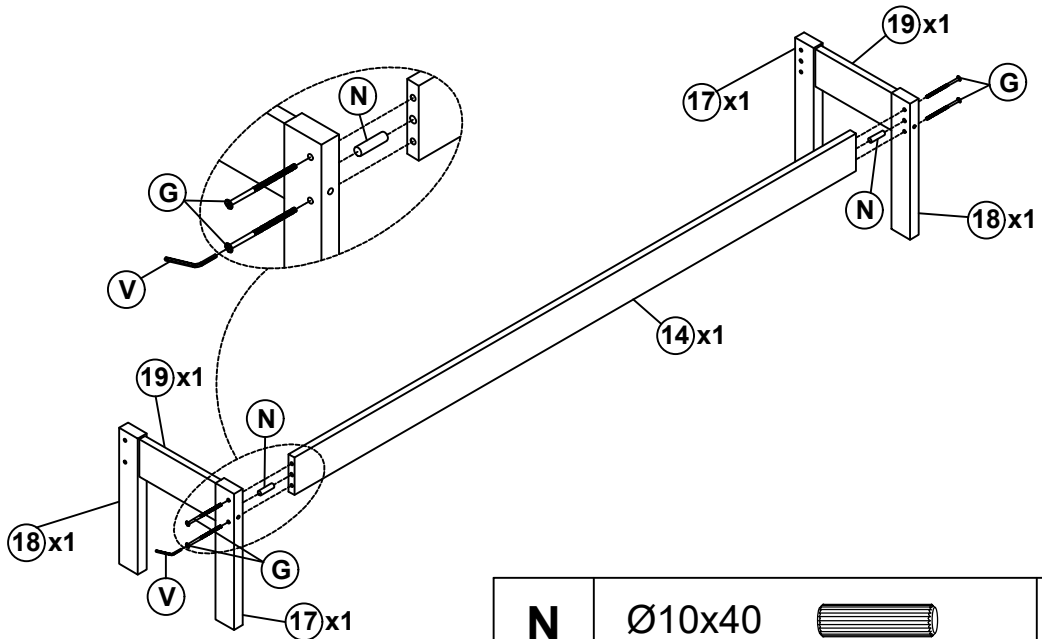


<b>V</b>	4x58		1PC				
<b>C</b>	6.5x110		4PCS	<b>N</b>	Ø10x40		4PCS

# ASSEMBLY INSTRUCTIONS

## Step 11

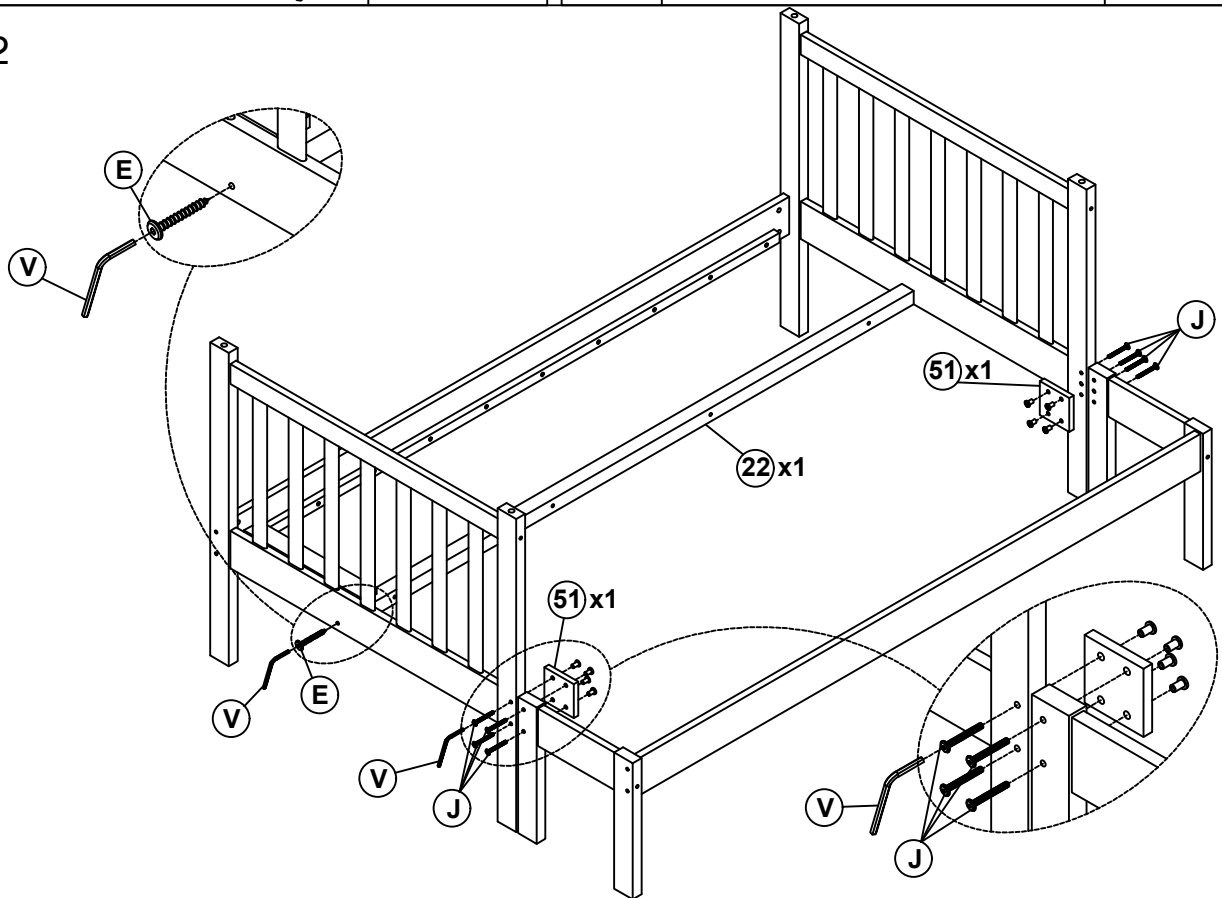
OPEN (14) LOWER FRONT SIDE RAIL AND REUSE 4PCS (G) TO ASSEMBLY WITH (17) & (18) "FULL SIZE EXTENTIN KIT"



<b>N</b>	Ø10x40		2PCS
<b>G</b>	1/4x75		4PCS

<b>V</b>	4x58		1PC
----------	------	--	-----

## Step 12

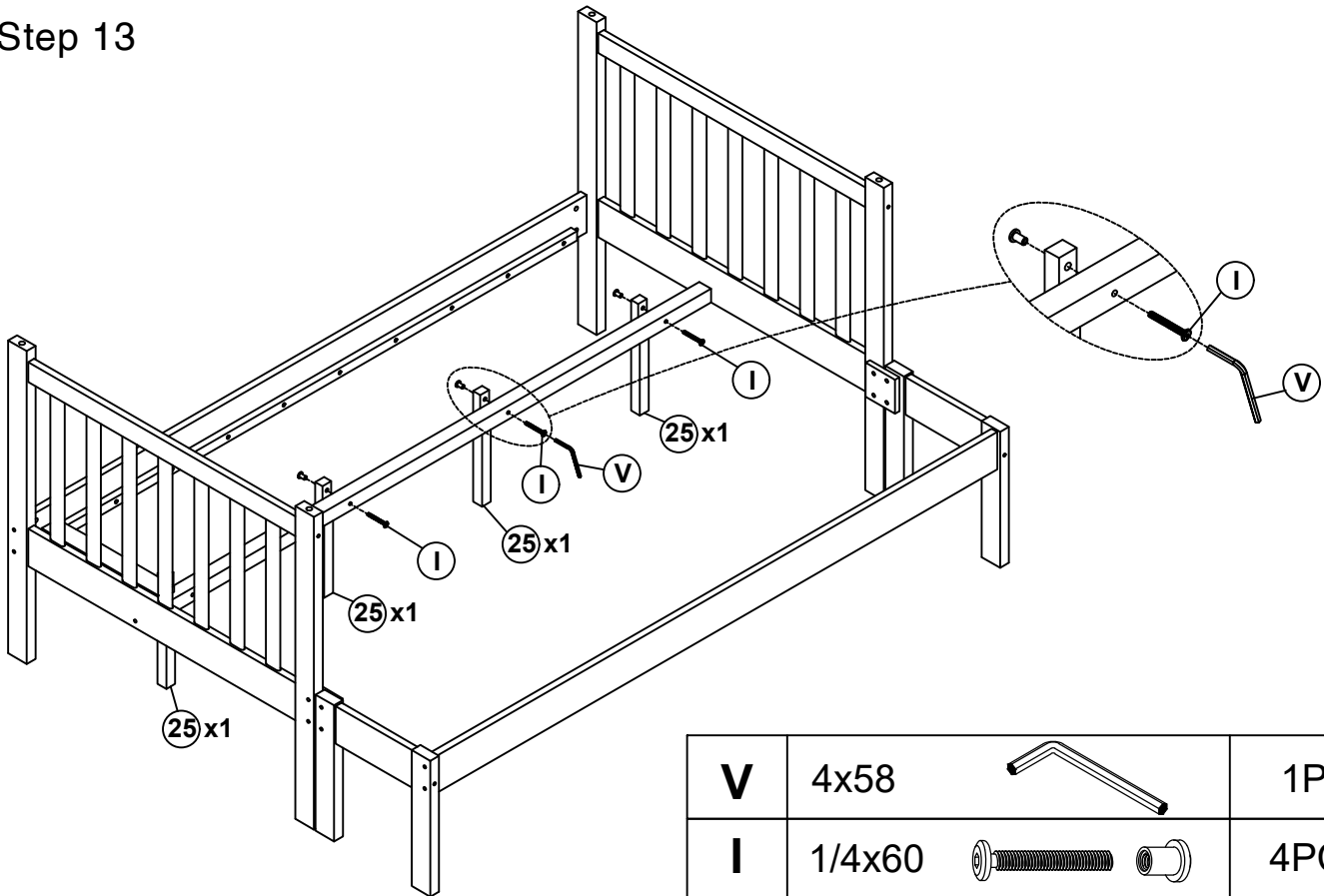




<b>E</b>	6.5x60		2PCS
<b>V</b>	4x58		1PC

<b>J</b>	1/4x40		8PCS
----------	--------	--	------

# ASSEMBLY INSTRUCTIONS

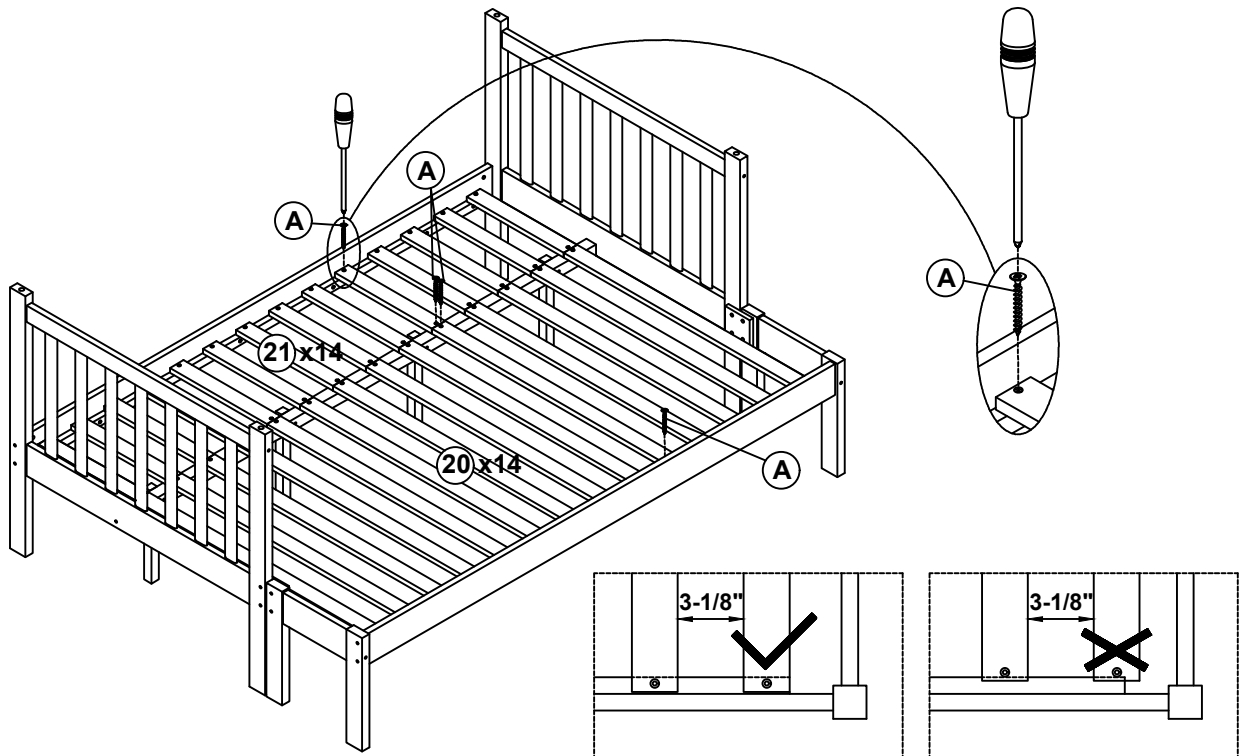
## Step 13



<b>V</b>	4x58		1PC
<b>I</b>	1/4x60		4PCS

## Step 14

First attach 2pcs part 20 & 21 to the front and end of the frame between headboard. Then attach the remaining part 20 & 21 equidistantly between headboard

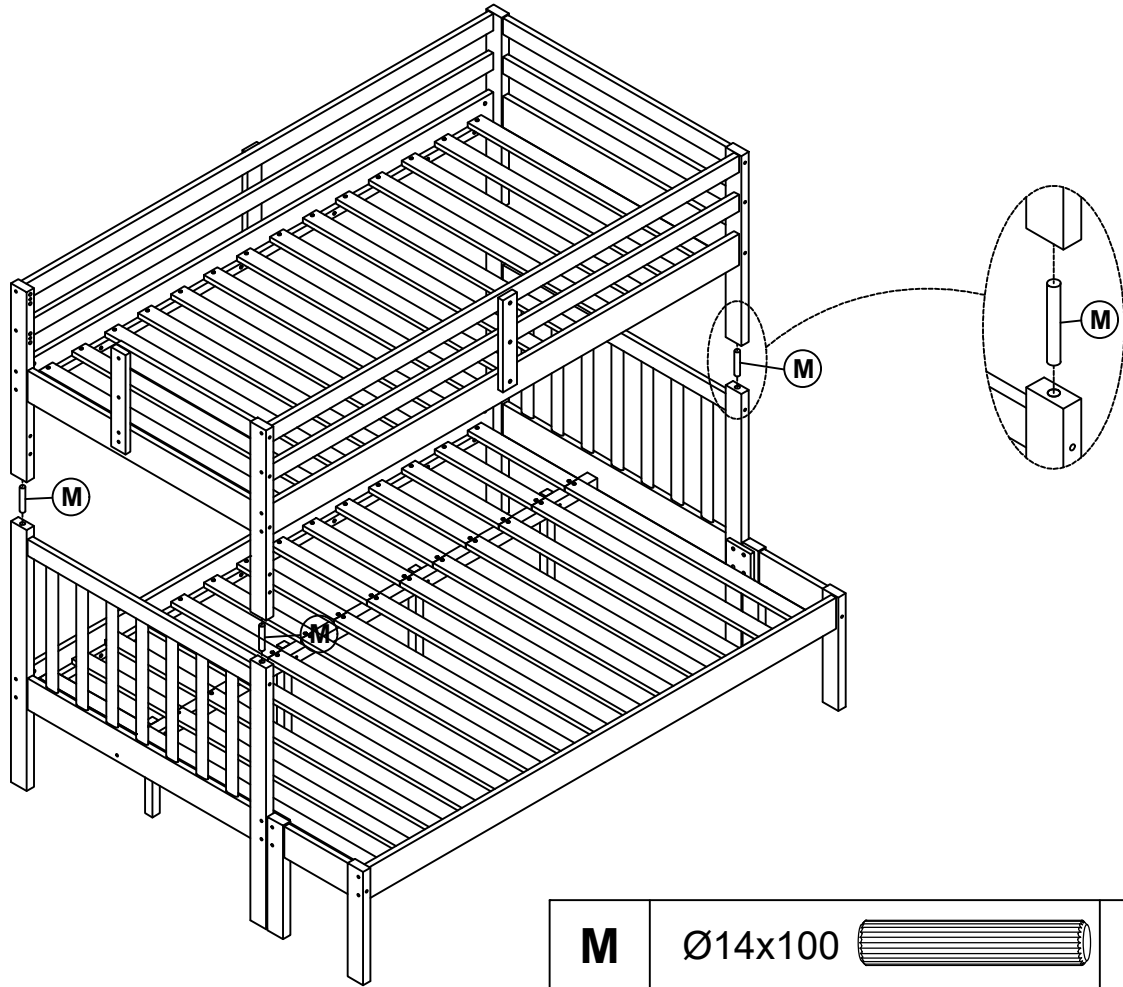


Note : Do not lock the screws of the bed slats to the outermost edge of the bed slats, you need to leave a certain space at the edges, otherwise it will cause the board to break

<b>A</b>	Ø4x30		56PCS
----------	-------	---	-------

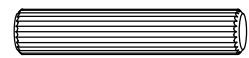
# ASSEMBLY INSTRUCTIONS

Step 15



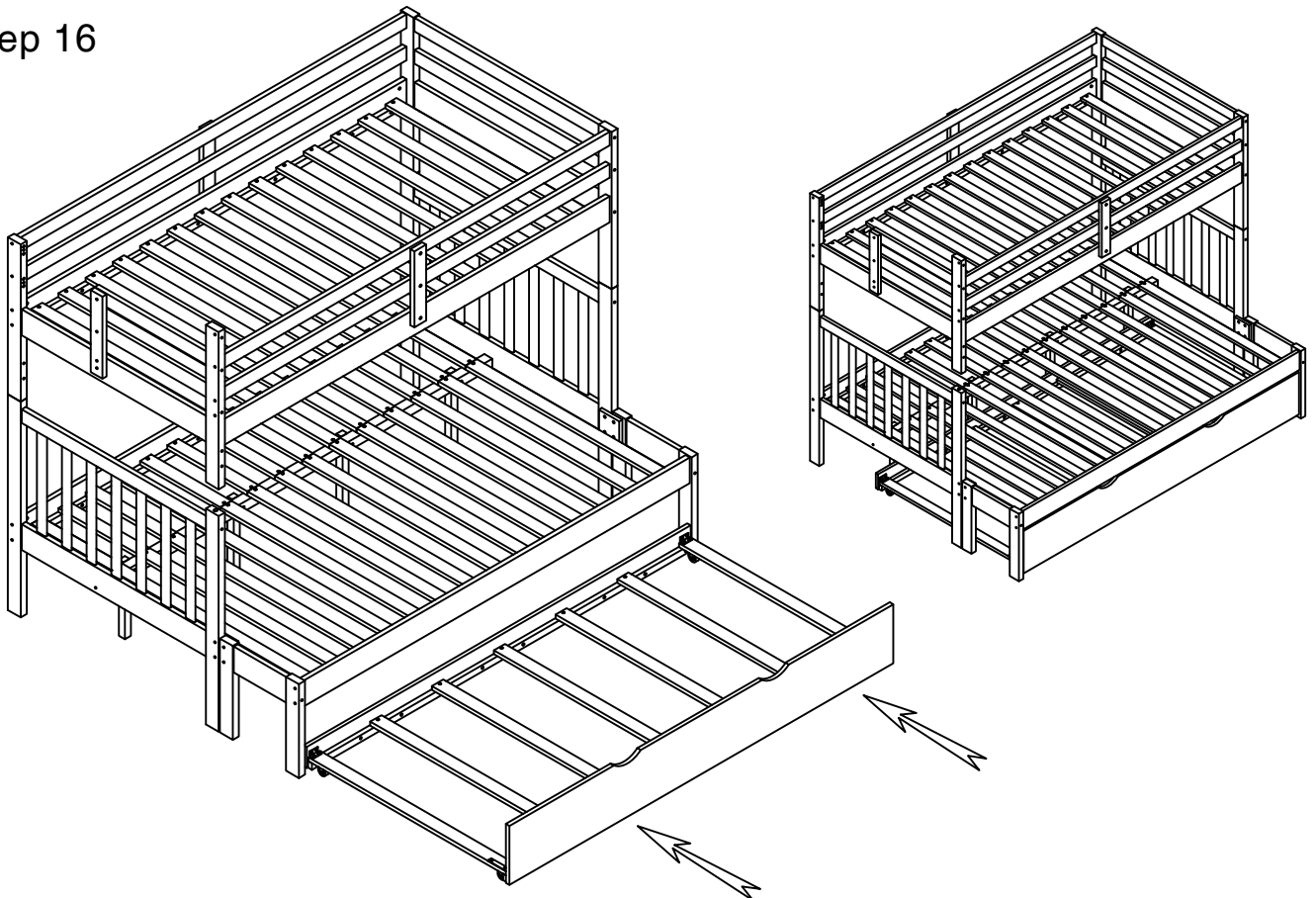
**M**

Ø14x100



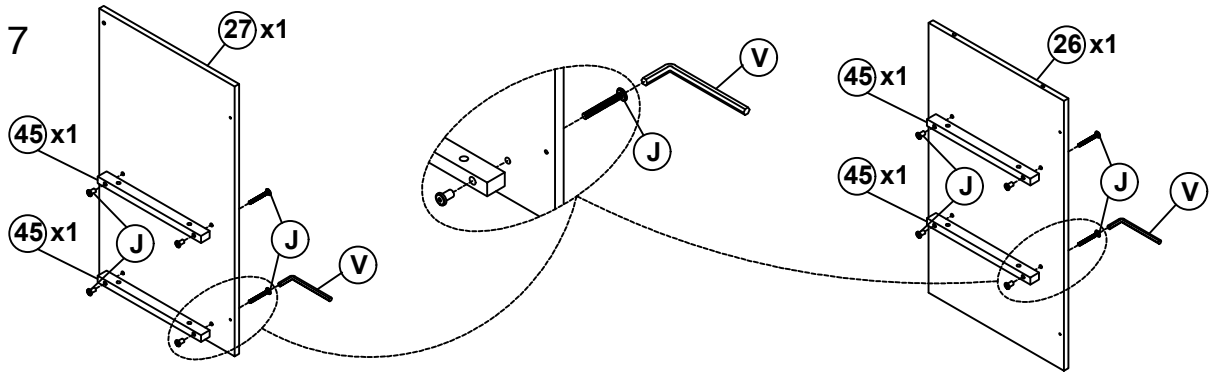
4PCS

Step 16



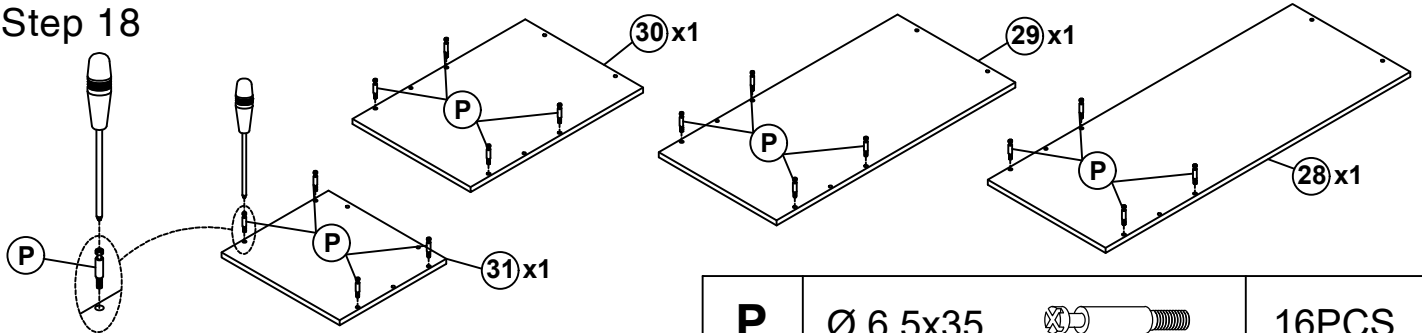
# ASSEMBLY INSTRUCTIONS

Step 17



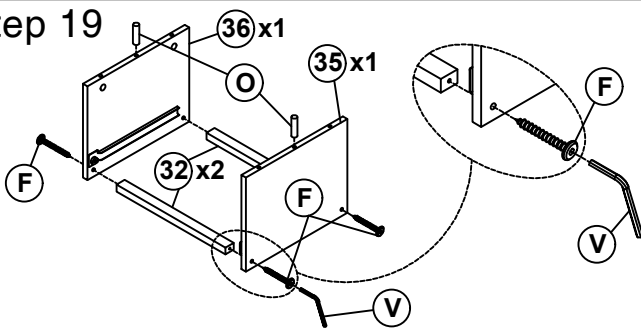
<b>V</b>	4x58		1PC	<b>J</b>	1/4x40		8PCS
----------	------	--	-----	----------	--------	--	------

Step 18



<b>P</b>	Ø 6.5x35		16PCS
----------	----------	--	-------

Step 19

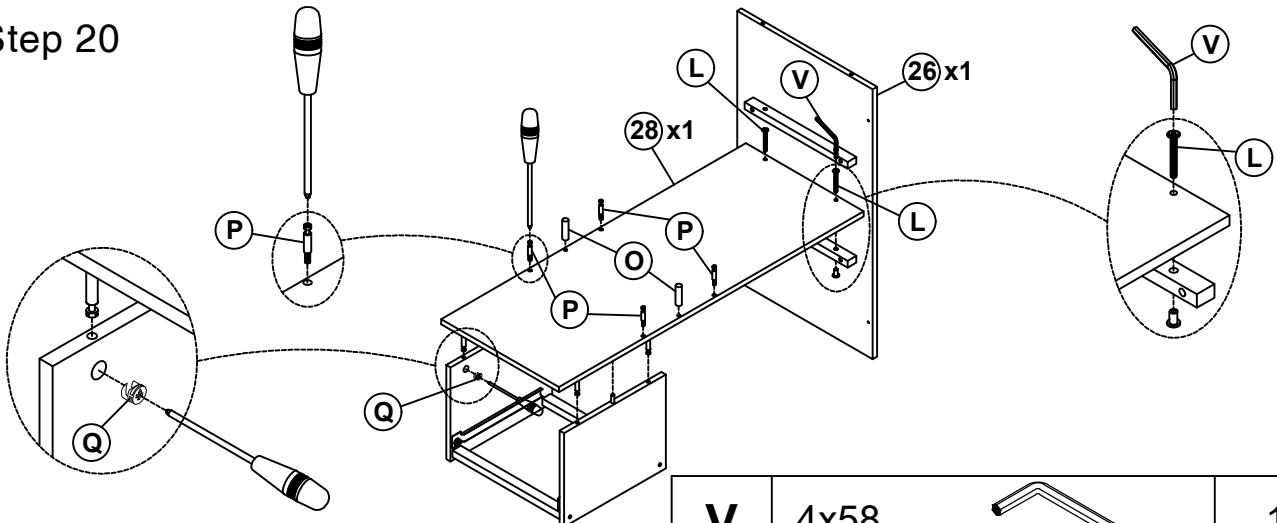


<b>V</b>	4x58		1PC
----------	------	--	-----

<b>O</b>	Ø8x30		2PCS
----------	-------	--	------

<b>F</b>	6.5x50		4PCS
----------	--------	--	------

Step 20



<b>V</b>	4x58		1PC
----------	------	--	-----

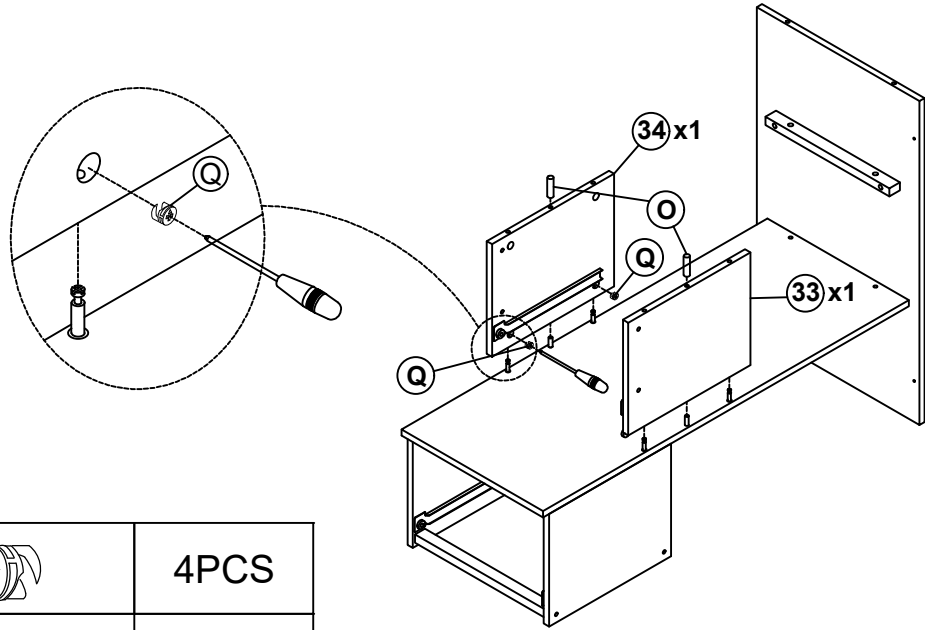
<b>P</b>	Ø 6.5x35		4PCS
----------	----------	--	------



<b>L</b>	1/4x30		2PCS
----------	--------	--	------

<b>Q</b>	Ø15x12		4PCS
----------	--------	--	------

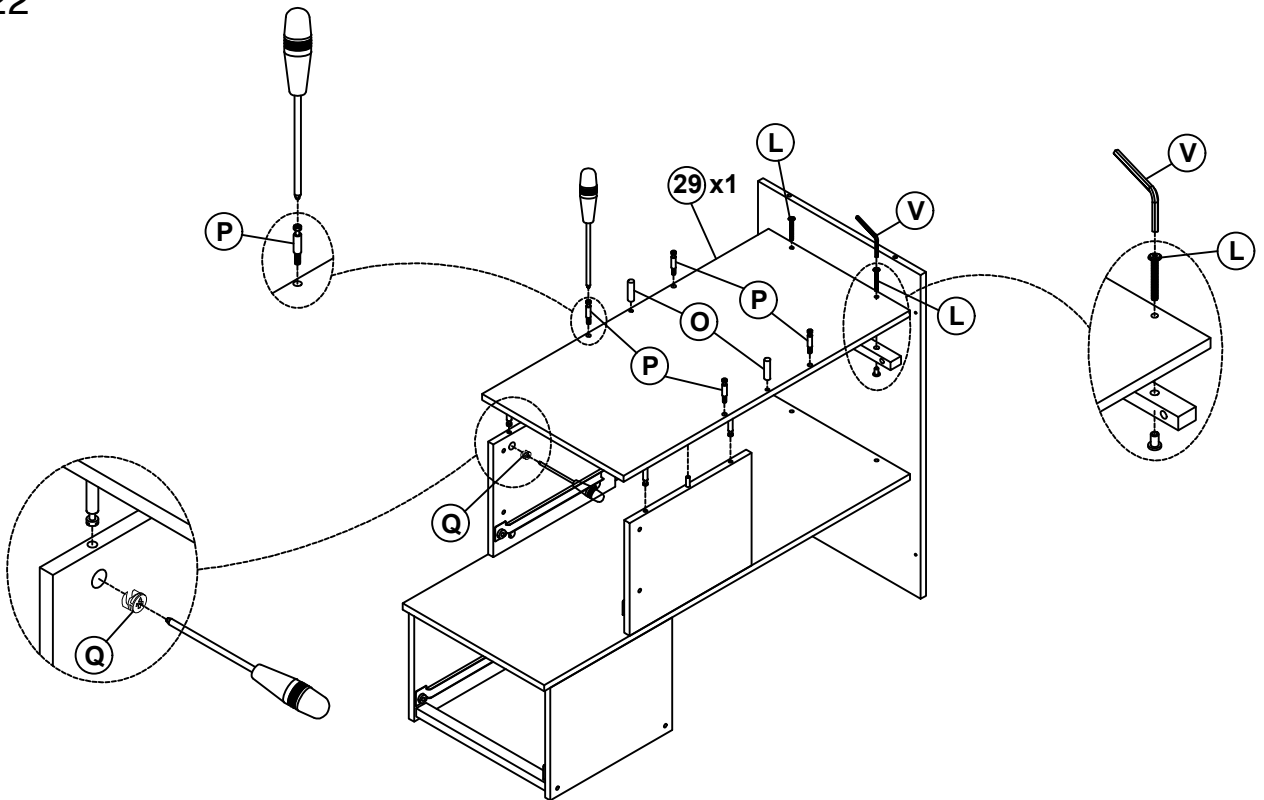
# ASSEMBLY INSTRUCTIONS


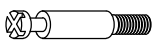



## Step 21



<b>Q</b>	Ø15x12		4PCS
<b>O</b>	Ø8x30		2PCS

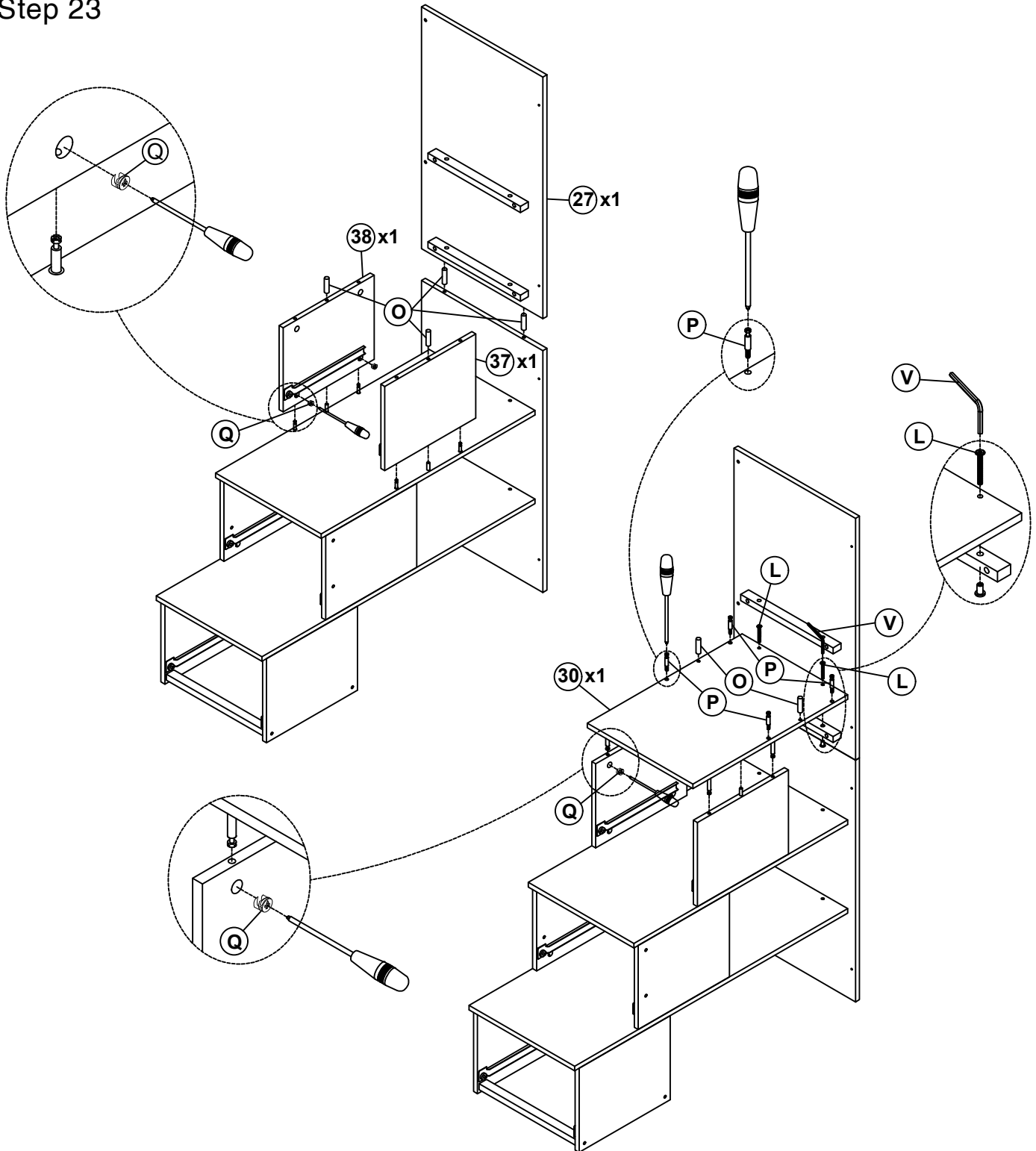
## Step 22


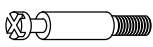





<b>V</b>	4x58		1PC
<b>P</b>	Ø 6.5x35		4PCS
<b>L</b>	1/4x30		2PCS
<b>Q</b>	Ø15x12		4PCS
<b>O</b>	Ø8x30		2PCS

# ASSEMBLY INSTRUCTIONS

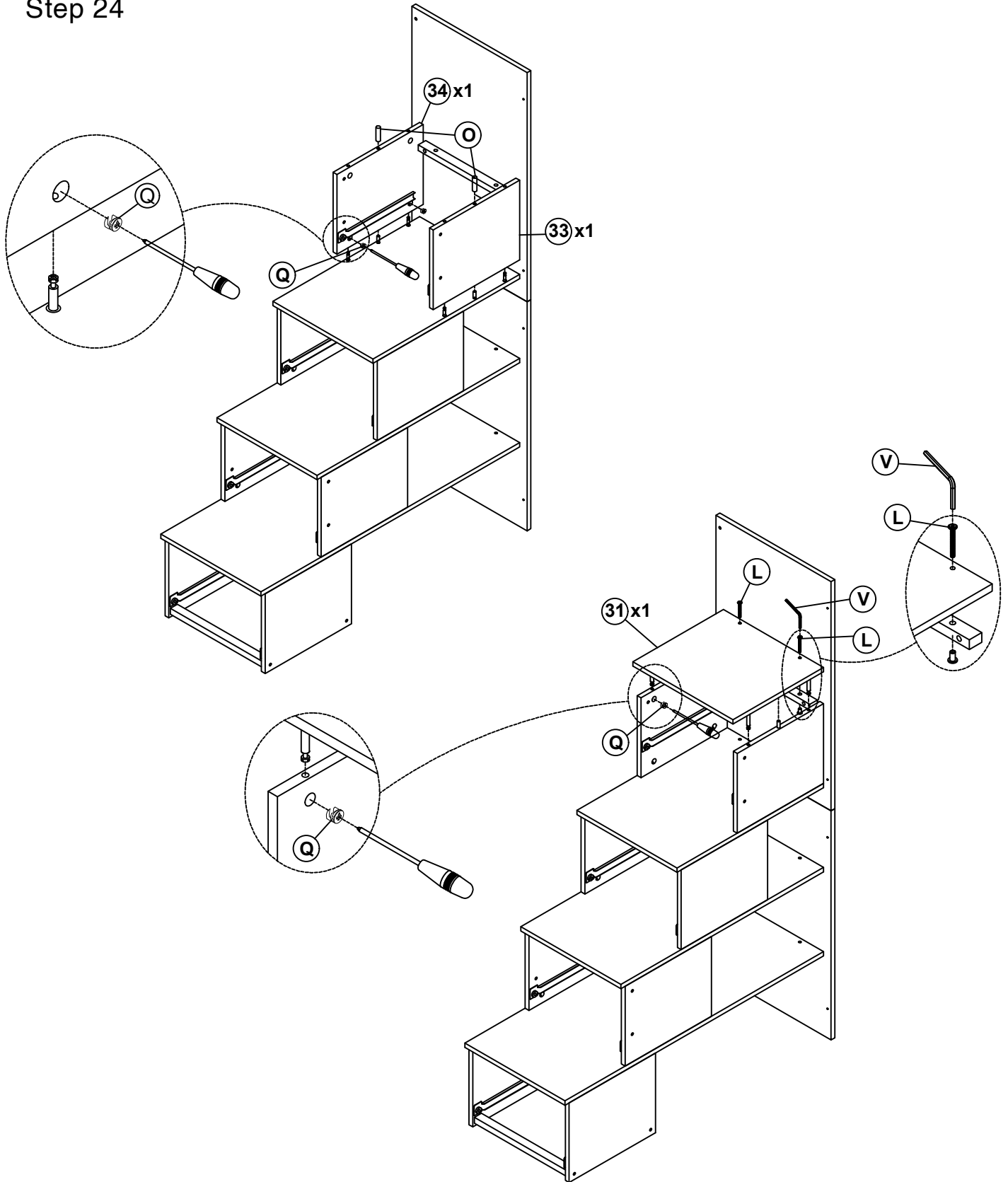
## Step 23







<b>V</b>	4x58		1PC				
<b>P</b>	Ø 6.5x35		4PCS	<b>Q</b>	Ø15x12		8PCS
<b>L</b>	1/4x30		2PCS	<b>O</b>	Ø8x30		6PCS

# ASSEMBLY INSTRUCTIONS

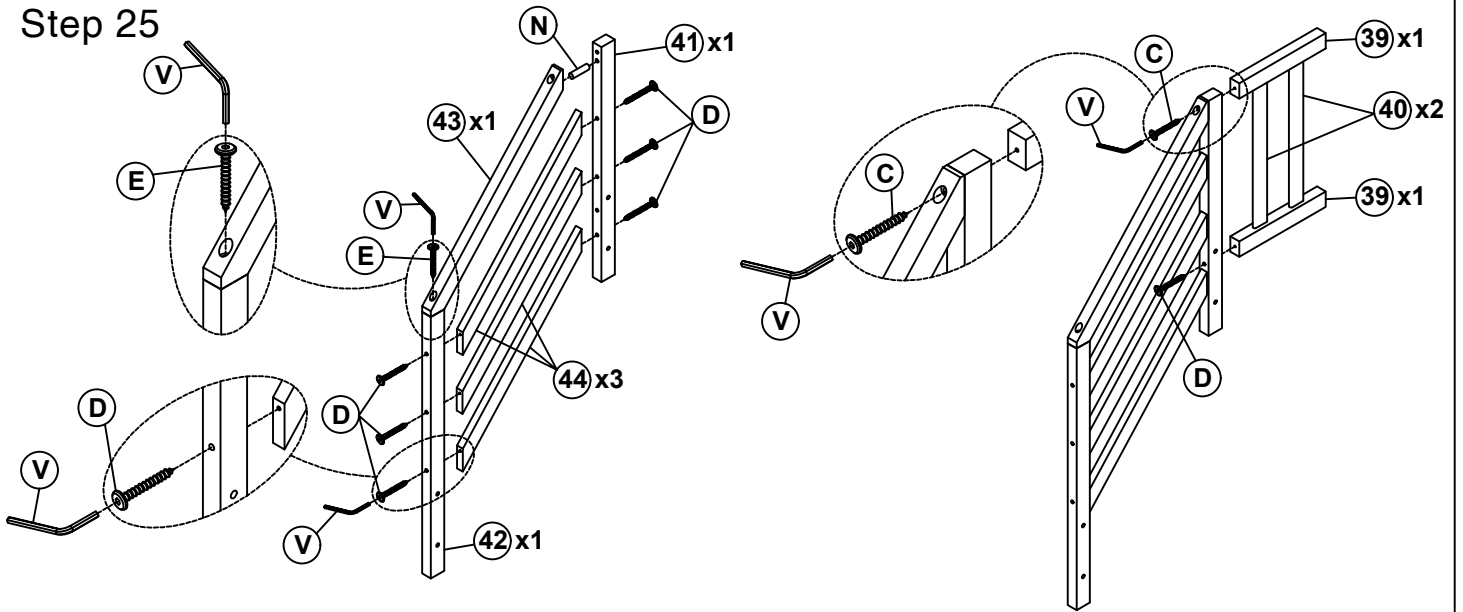
## Step 24



<b>V</b>	4x58		1PC	<b>Q</b>	Ø15x12		8PCS
<b>L</b>	1/4x30		2PCS	<b>O</b>	Ø8x30		2PCS

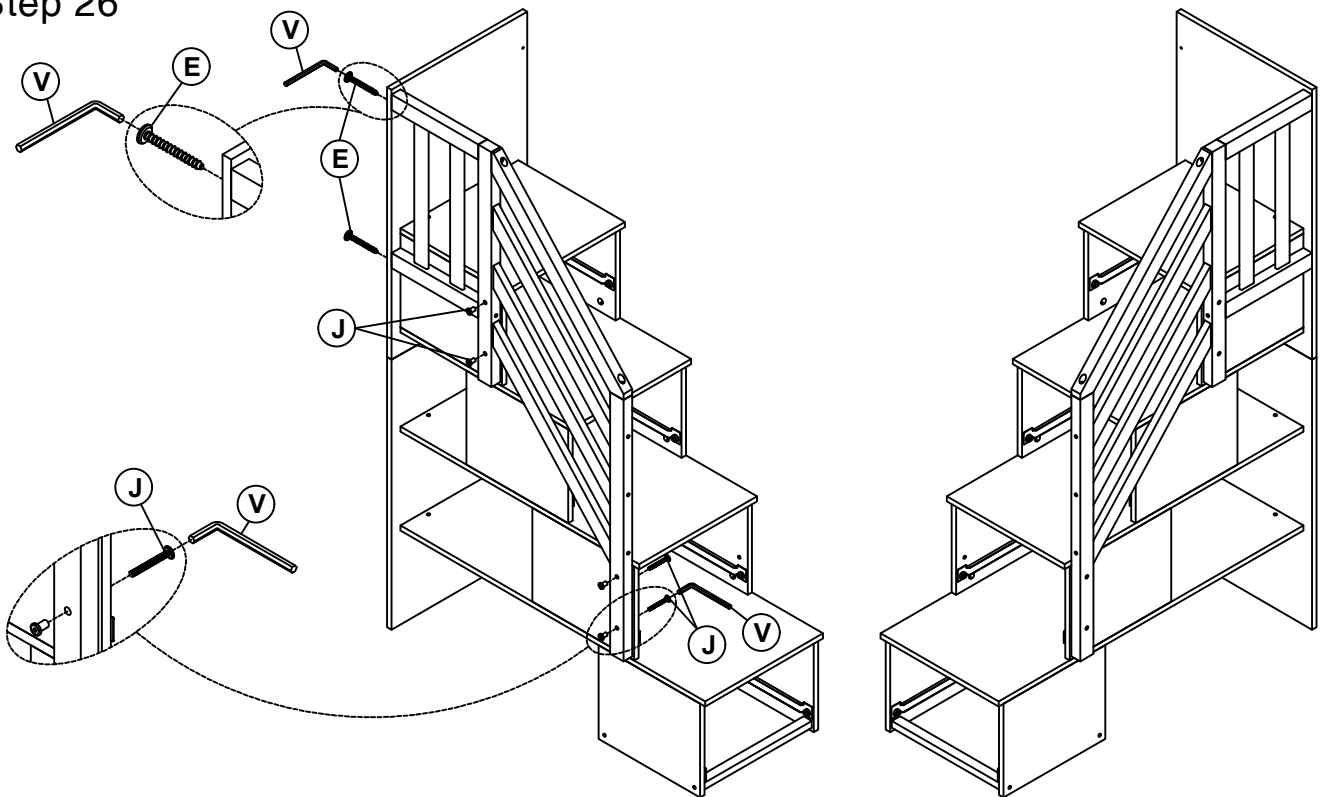
# ASSEMBLY INSTRUCTIONS

## Step 25



<b>N</b>	Ø10x40		1PC				
<b>C</b>	6.5x110		1PC	<b>E</b>	6.5x60		1PC
<b>D</b>	6.5x80		7PCS	<b>V</b>	4x58		1PC

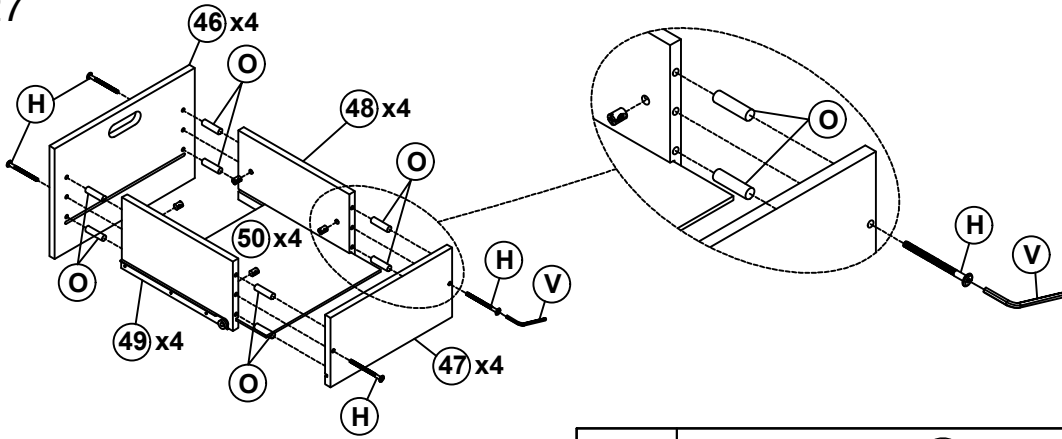
## Step 26







<b>E</b>	6.5x60		2PCS	<b>V</b>	4x58		1PC
<b>J</b>	1/4x40		4PCS				

# ASSEMBLY INSTRUCTIONS

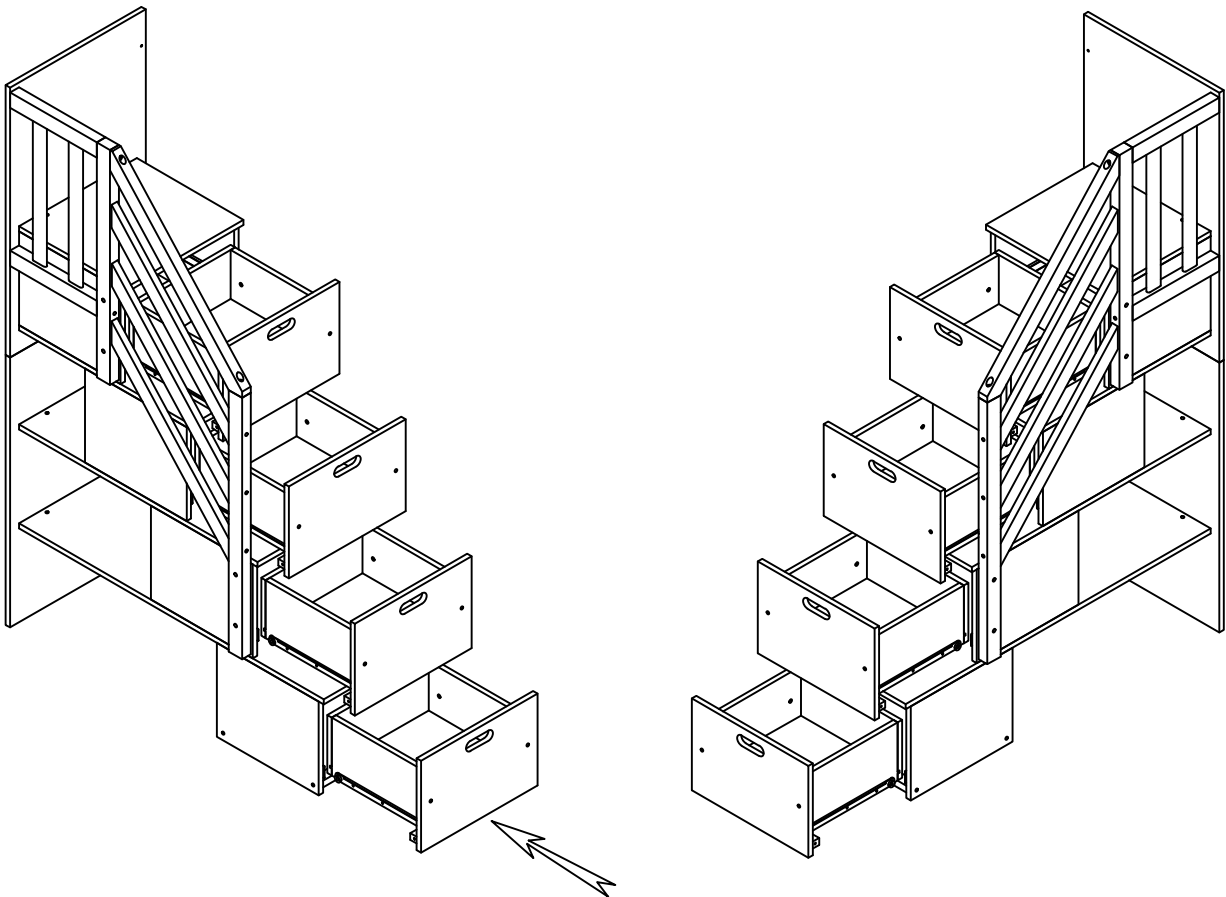
## Step 27



<b>V</b>	4x58		1PC
<b>H</b>	1/4x60	 	16PCS

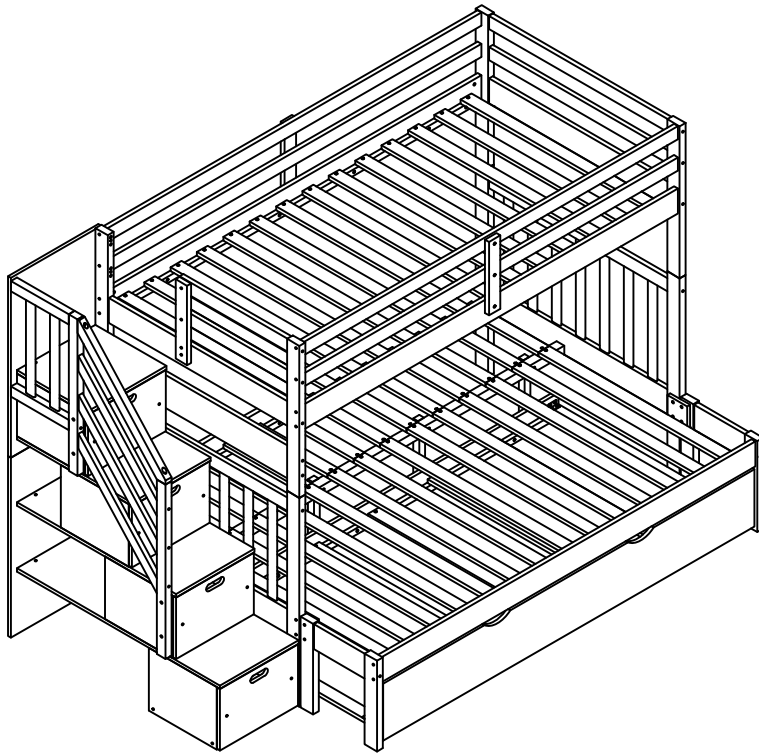
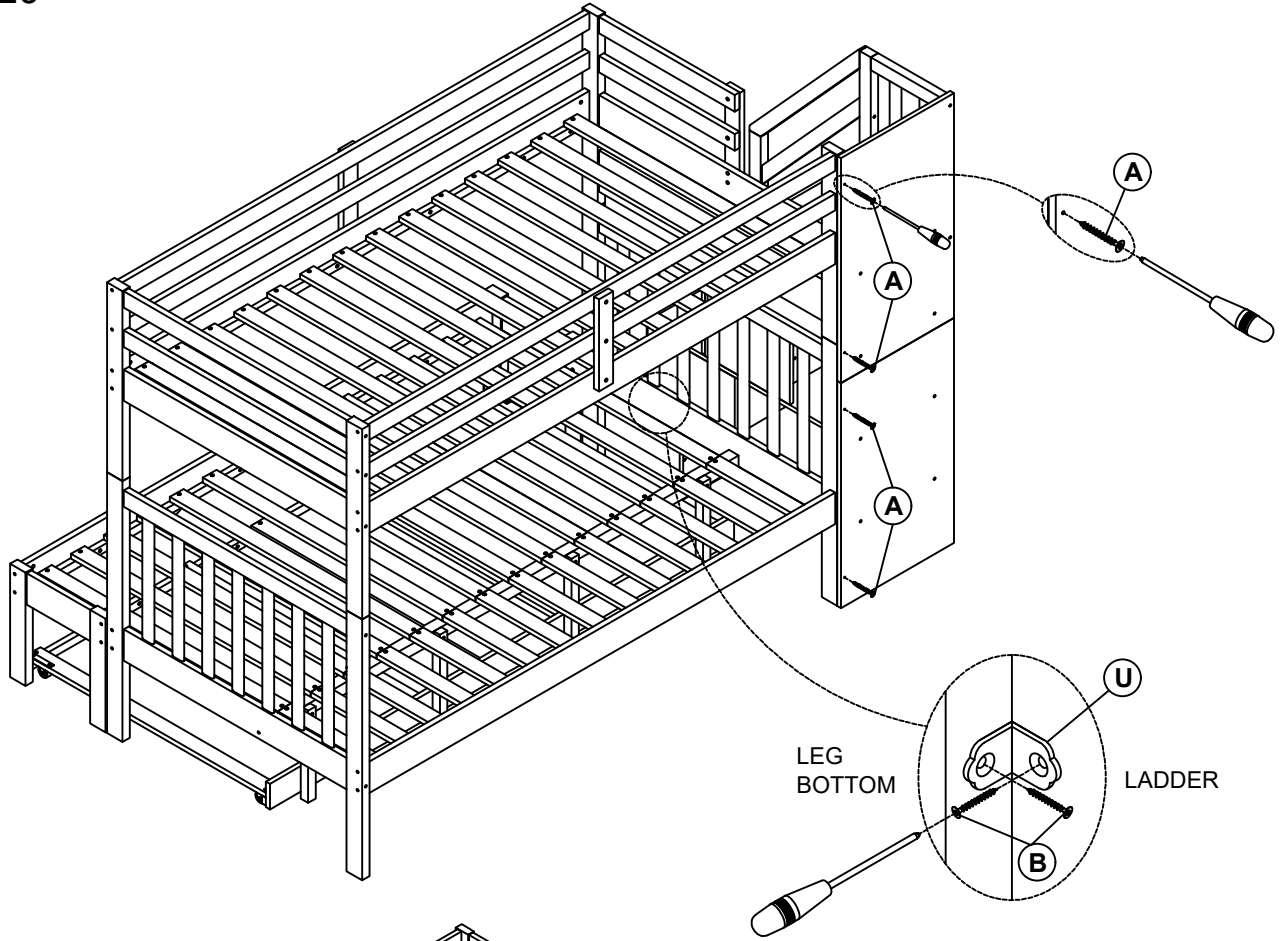
<b>O</b>	Ø8x30		32PCS
----------	-------	---	-------




## Step 28



# ASSEMBLY INSTRUCTIONS

Step 29



				<b>U</b>	15x15x2		1PC
<b>A</b>	Ø4x30		4PCS	<b>B</b>	Ø4x15		2PCS