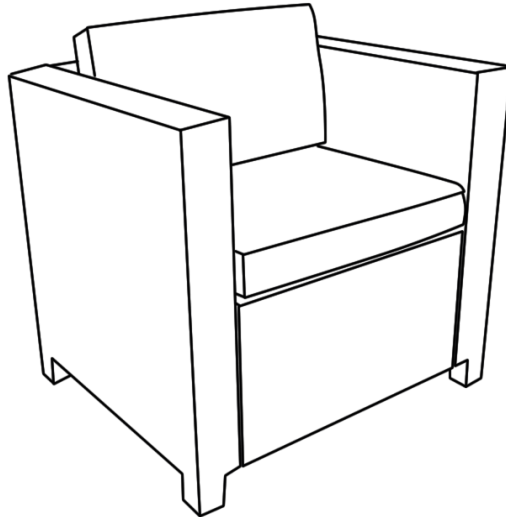


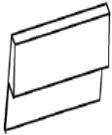
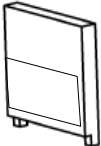
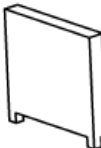
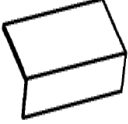

Assembly Instructions

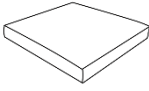
Caution : You must read this before you proceed

Chair









Parts List

Label	Picture	Description	QTY
A		Chair - Backrest	1
B		Right Armrest	1
C		Left Armrest	1
D		Seat	1
E1		Back Cushion	1

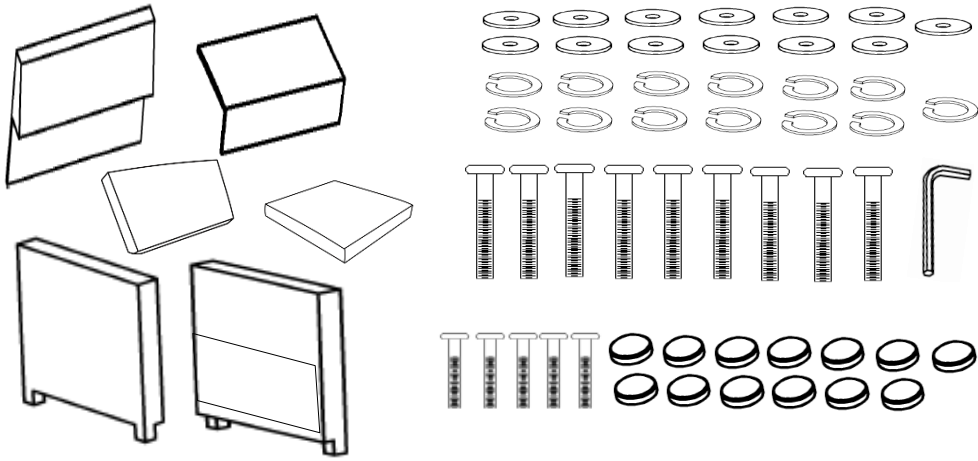
F1		Seat Cushion	1
----	---	--------------	---

Hardware

Label	Picture	Description	QTY
①		Plastic Cap	13
②		Bolt M6*45mm	9
③		Washer	13
④		Spring Washer Ø16*2mm	13
⑤		Allen Key	1
⑥		Bolt M6*40mm	5

Assembly Preparation

Before Beginning Assembly:




- Read instructions, cover to cover-



- Have 2 adults on hand for assembly-



- Do not assemble on flooring or carpet-



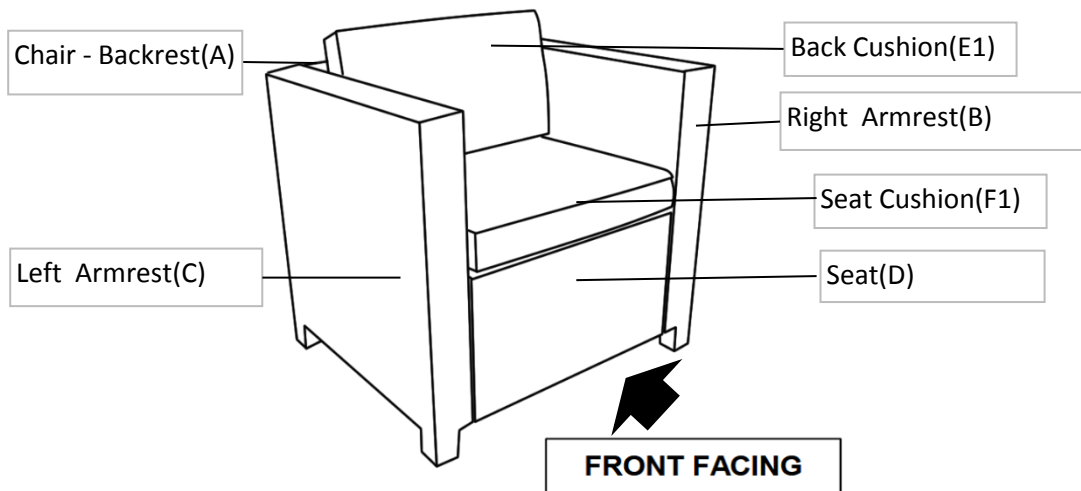
- Assemble on a clean non-marring surface (packing foam)-



- Save all packaging until finished-

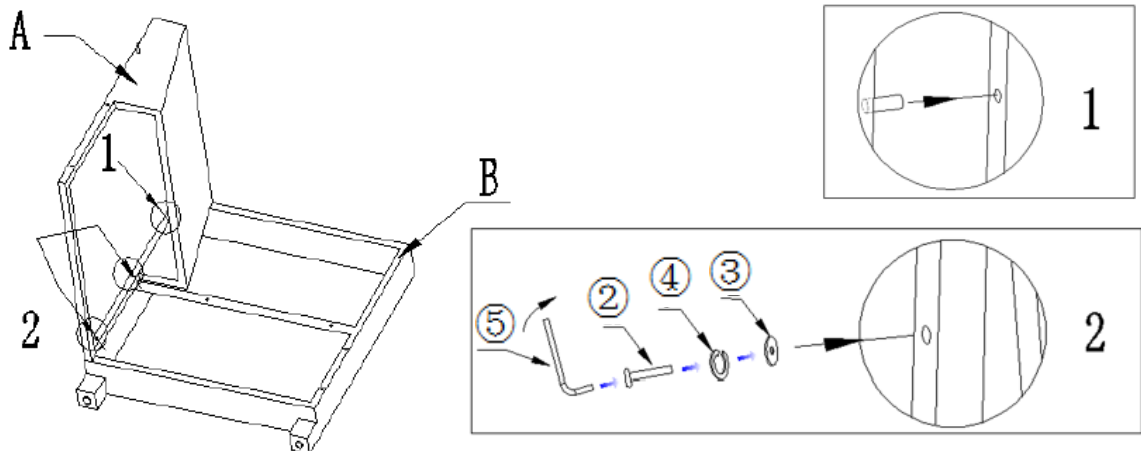
Assembly Steps

Overview



This Chair has multiple parts and may require up to some 30 minutes to assemble. To give you an overview of the Chair parts, the above picture is to help you put the various parts into perspective. Please read through the instructions herebelow to familiarise yourself with the parts and steps before assembly.

Step 1



Open the carton and place all the parts onto a clean and soft surface.

Unpack all packages of hardware.

Place the Right Armrest (B) with its inside facing skywards.

Put the Backrest(A) against the Right Armrest(B), make the metal rod on the Backrest(A) insert into the MOUNTING POSITIONS of the Right Armrest(B) as picture 1 shows.

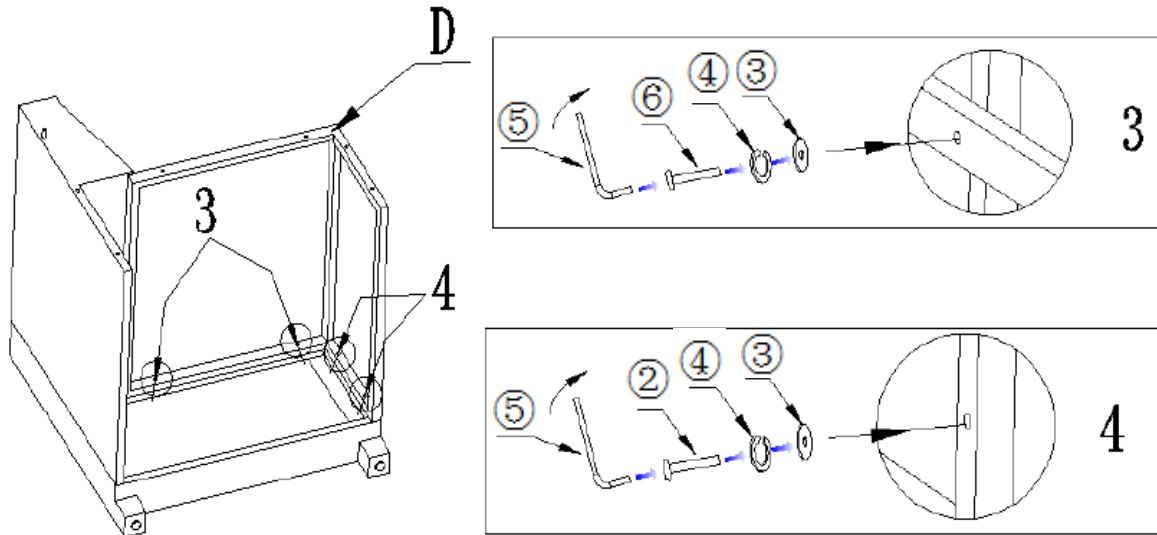
Then attach Backrest(A) and Right Armrest(B) together with hardware as picture 2 shows.

Use an Allen Key(5) to partially tighten these.

Do not fully tighten the bolts.

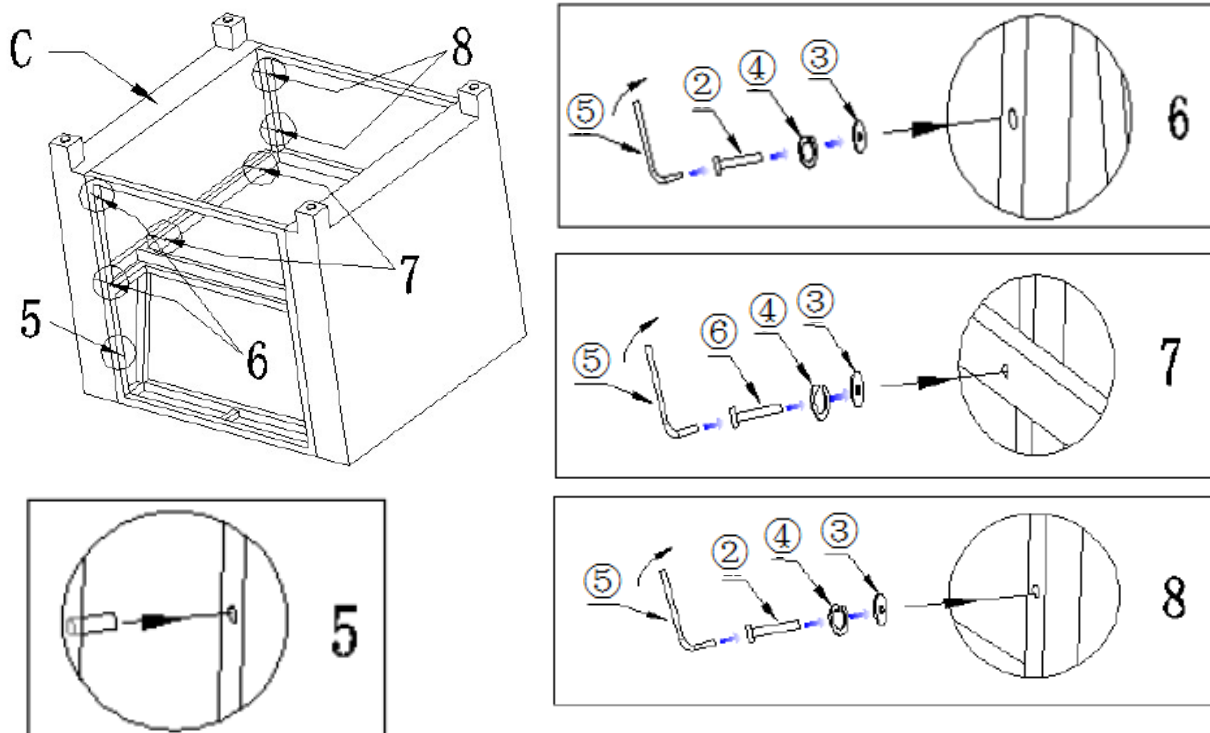
It can happen that some of the PE wicker covers the bolt points, preventing easy assembly the PE wicker should not be cut but only moved away from the mounting positions.

Step 2



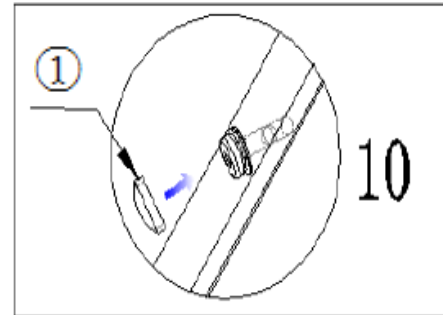
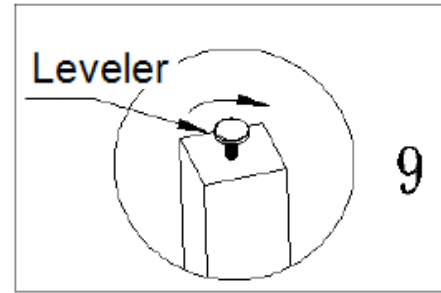
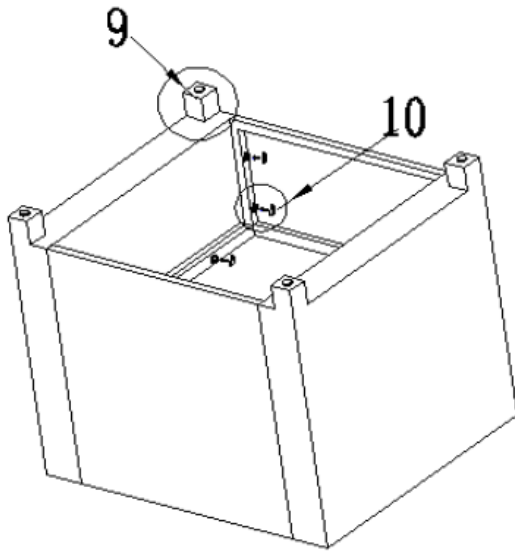
Place the Seat (D) between the Right Armrest(B) and Backrest(A).
Attach the Seat(D) to the Right Armrest(B) with hardware as picture 3 and 4 shows.
Use an Allen Key(5) to partially tighten these.
Do not fully tighten the bolts.

Step 3



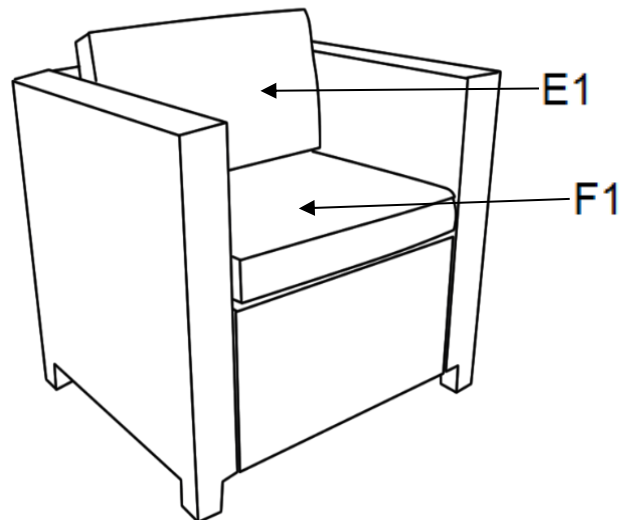
Place the Left Armrest (C) against the Backrest(A) and Seat(D).
Make the metal rod on the Backrest(A) insert into the MOUNTING POSITIONS of the Left Armrest(C) as picture 5 shows.
Attach the Left Armrest(C) to Backrest(A) with hardware as picture 6 shows.
Attach the Left Armrest(C) to Seat(D) with hardware as picture 7 and 8 shows.
Use an Allen Key(5) to partially tighten these.
Do not fully tighten the bolts.

Step 4



Tighten all bolts completely.
Put the Plastic Cap(①) to cover the bolt heads, adjust the Leveler to ensure good stability.





















Step 5



Put the Seat Cushion(F1) & Back Cushion(E1) on the Chair
It is ready for use.

This Chair can only be used on a flat, level surface.

Care & Maintenance

-   ● Do not put hot items directly on furniture surface
 -   ● Do not clean furniture with harsh cleansers or polish.
 -   ● To obtain the longest lifespan of your outdoor products, minimizing exposure to direct sunlight is recommended.
 -   ● Children should not climb or jump on the furniture.
 -   ● Do not write on furniture without a padded barrier to protect the surface.
 -   ● To obtain the longest lifespan of your outdoor products, avoid extended and lengthy exposure to rain, snow, and direct sunshine. Whenever possible cover the product and /or place under patio or awnings.
 -   ● Not for commercial use. For residential use only .
 -   ● Stains may be removed with mild soap solution and damp cloth.
 -   ● Keep away from sources of ignition.
-
-   ● Dust and pick-up spills using a clean, non-colored, lint-free cloth.

What is Proposition 65?

Proposition 65 is a California law that requires warning labels on products that may contain one of more than 800-plus chemicals or ingredients that the California Office of Environmental Health Hazard Assessment (OEHHA) has deemed to cause cancer or other reproductive toxicity. Chemicals and elements on this list include wood dust, brass, and other everyday substances, which can be found in very common household items, such as: lamps, tableware, jewelry, crystal glasses, electric cords, beauty products, automobiles, and furniture.

Why Did I Find a Proposition 65 Warning on My Home Goods Product?

We include Proposition 65 warnings on all of our products because there is always a chance that one of the 800-plus common chemicals and ingredients listed under this law could potentially be on our furniture or packing materials. We risk large fines under this law, if we don't include this warning.

Should I worry?

We realize you may be worried finding this warning on our products, but we want to reassure you that the hazardous exposure limits for any of these chemicals have never been found on furniture products that we've shipped to our customers. Additionally, this warning label is very common and can be found on almost every piece of furniture sold in the state of California.

Just How Common Are Proposition 65 Warnings?

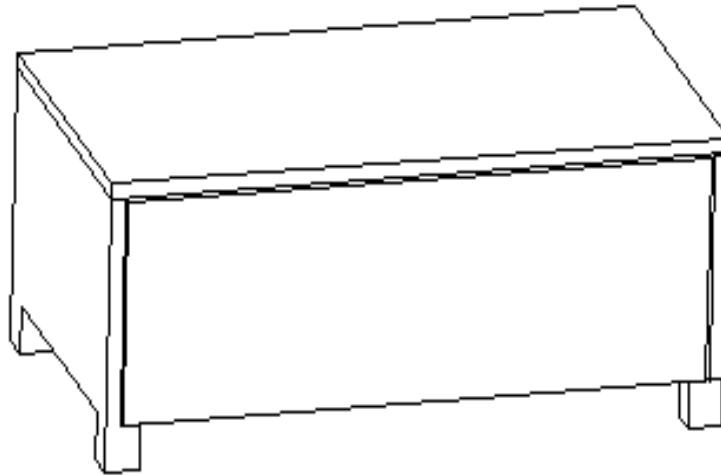
Proposition 65 warnings have become so common in California that it is hard to take a trip to a local bank, grocery store, or restaurant without finding at least one warning. In fact, even the Disney Land Resort has a Proposition 65 warning:



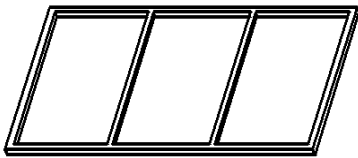

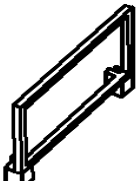
Assembly Instructions

Caution : You must read this before you proceed






Coffee Table



Parts List

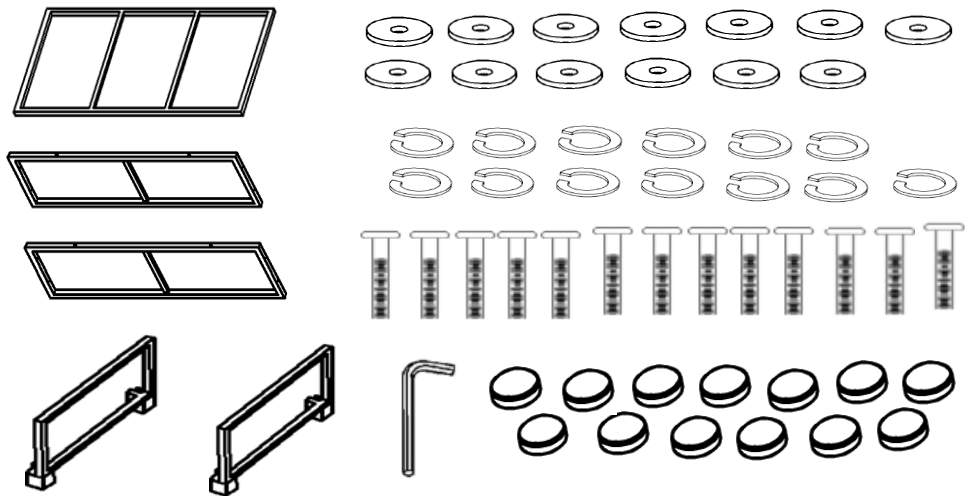
Label	Picture	Description	QTY
I		Top Panel	1
J		Front & Back Panel	2
K		Side Panel	2

Hardware

Label	Picture	Description	QTY
①		Bolt Cap	13
②		Bolt (M6*45mm)	13
③		Washer	13
④		Spring Washer (Ø16*2mm)	13
⑤		Allen Key	1

Assembly Preparation

Before Beginning Assembly:



- Read instructions, cover to cover-



- Have 2 adults on hand for assembly-



- Do not assemble on flooring or carpet-



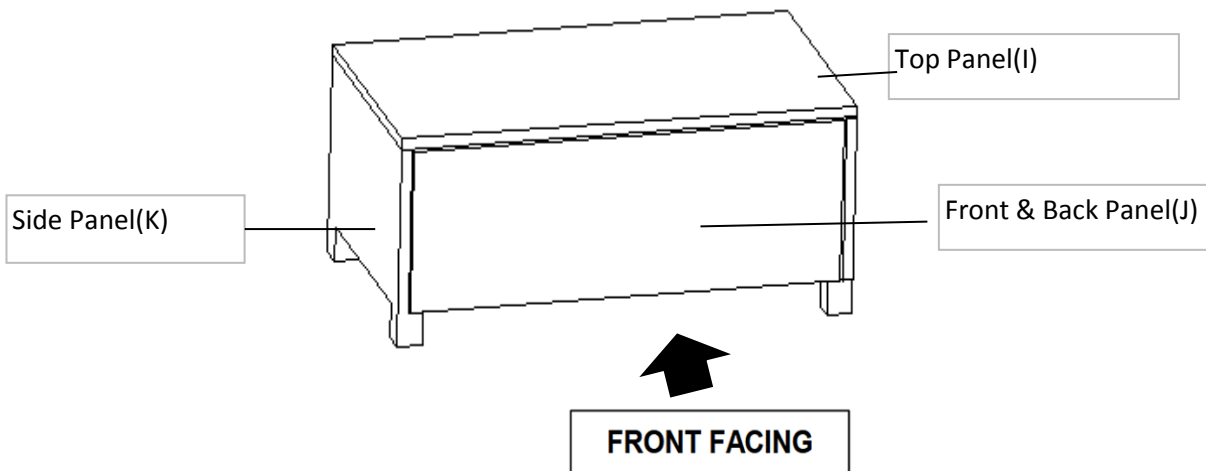
- Assemble on a clean non-marring surface (packing foam)-



- Save all packaging until finished-

Assembly Steps

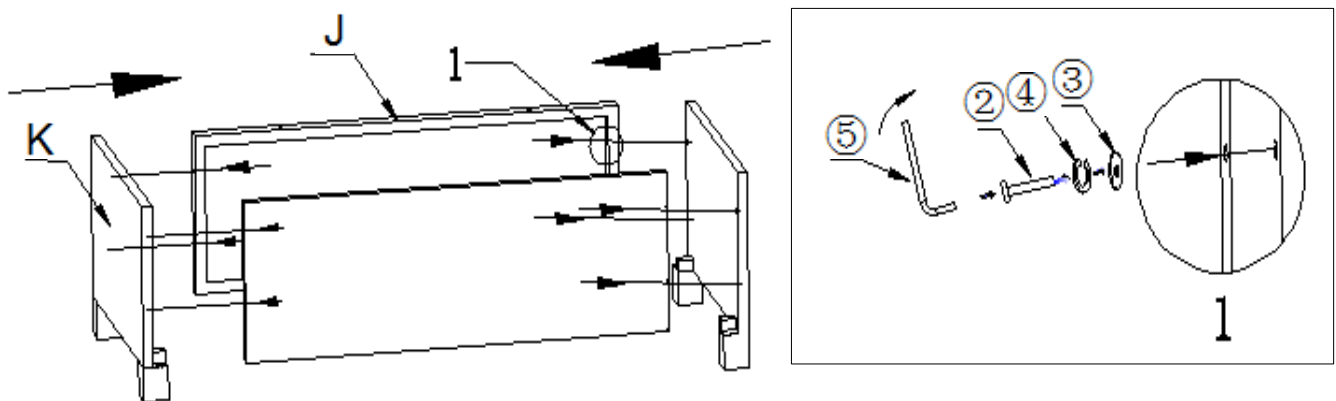
Overview



This Coffee Table has multiple parts and may require up to some 30 minutes to assemble. To give you an overview of Coffee Table parts, the above picture is to help you put the various parts into perspective. Please read through the instructions here below to familiarise yourself with the parts and steps before assembly.

Assembly Steps

Step 1

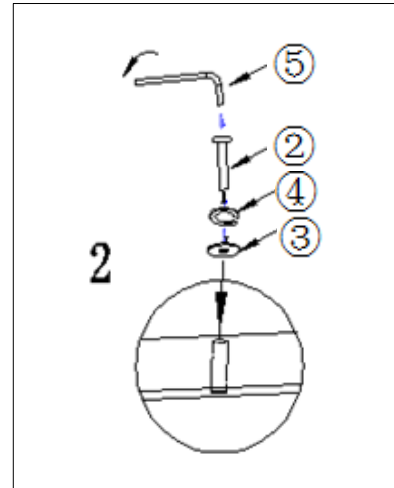
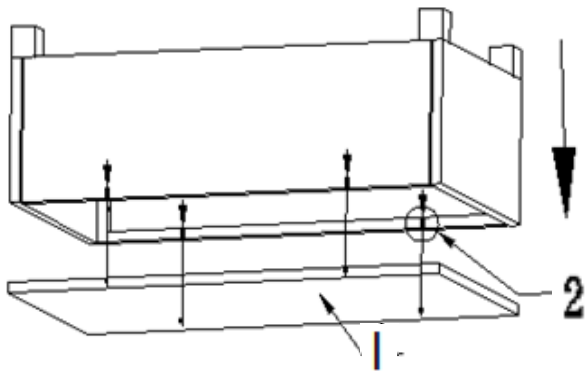


Open the carton and place all the parts onto a clean and soft surface, compare the real parts with the list above to make sure every parts is available.

Get total 4 panels in their upright positions, attach each Side Panel(K) to Front & Back Panle(J) with Washer(③), Spring Washer(④) and Bolt(②) by using the Allen Key(⑤) to form a body base.

Do not fully tighten the bolts at this stage.

Step 2

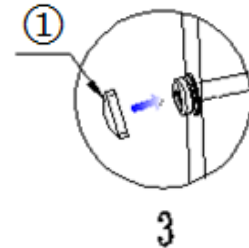
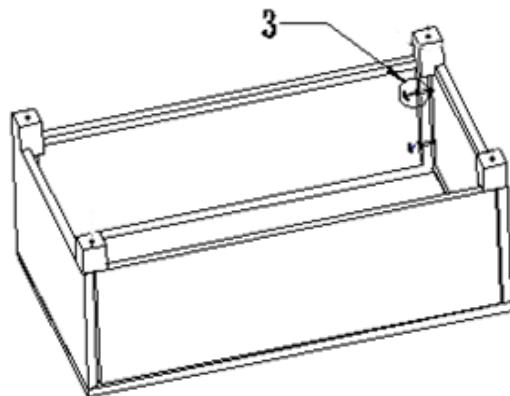


Put the Top Panel(I) with its face down onto a soft and clean surface, turn the body base upside down and place it onto the Top Panel(I).

Attach the Top Panel(I) with Washer(③), Spring Washer(④) and Bolt(②) by using the the Allen Key(⑤) to make a whole body.

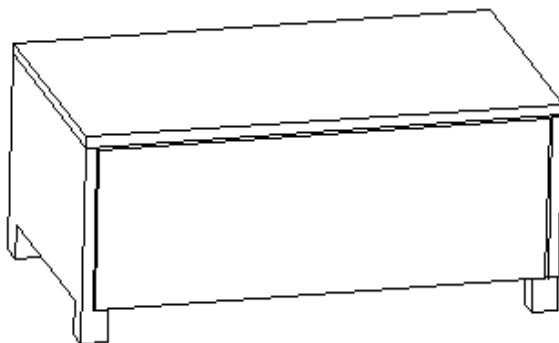
Do not fully tighten the bolts.

Step 3



Tighten all Bolts completely, put the Plastic Cap(①) to cover the Bolt heads.
Adjust the Leveler to ensure good stability.





















Step 4



Your table is ready for use.

This Table can only be used on a flat, level surface.

Care & Maintenance

-   ● Do not put hot items directly on furniture surface
 -   ● Do not clean furniture with harsh cleansers or polish.
 -   ● To obtain the longest lifespan of your outdoor products, minimizing exposure to direct sunlight is recommended.
 -   ● Children should not climb or jump on the furniture.
 -   ● Do not write on furniture without a padded barrier to protect the surface.
 -   ● To obtain the longest lifespan of your outdoor products, avoid extended and lengthy exposure to rain, snow, and direct sunshine. Whenever possible cover the product and /or place under patio or awnings.
 -   ● Not for commercial use. For residential use only .
 -   ● Stains may be removed with mild soap solution and damp cloth.
 -   ● Keep away from sources of ignition.
-
-   ● Dust and pick-up spills using a clean, non-colored, lint-free cloth.

What is Proposition 65?

Proposition 65 is a California law that requires warning labels on products that may contain one of more than 800-plus chemicals or ingredients that the California Office of Environmental Health Hazard Assessment (OEHHA) has deemed to cause cancer or other reproductive toxicity. Chemicals and elements on this list include wood dust, brass, and other everyday substances, which can be found in very common household items, such as: lamps, tableware, jewelry, crystal glasses, electric cords, beauty products, automobiles, and furniture.

Why Did I Find a Proposition 65 Warning on My Home Goods Product?

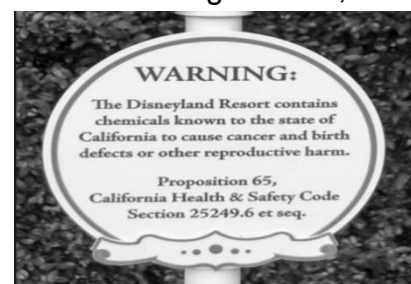
We include Proposition 65 warnings on all of our products because there is always a chance that one of the 800-plus common chemicals and ingredients listed under this law could potentially be on our furniture or packing materials. We risk large fines under this law, if we don't include this warning.

Should I worry?

We realize you may be worried finding this warning on our products, but we want to reassure you that the hazardous exposure limits for any of these chemicals have never been found on furniture products that we've shipped to our customers. Additionally, this warning label is very common and can be found on almost every piece of furniture sold in the state of California.

Just How Common Are Proposition 65 Warnings?

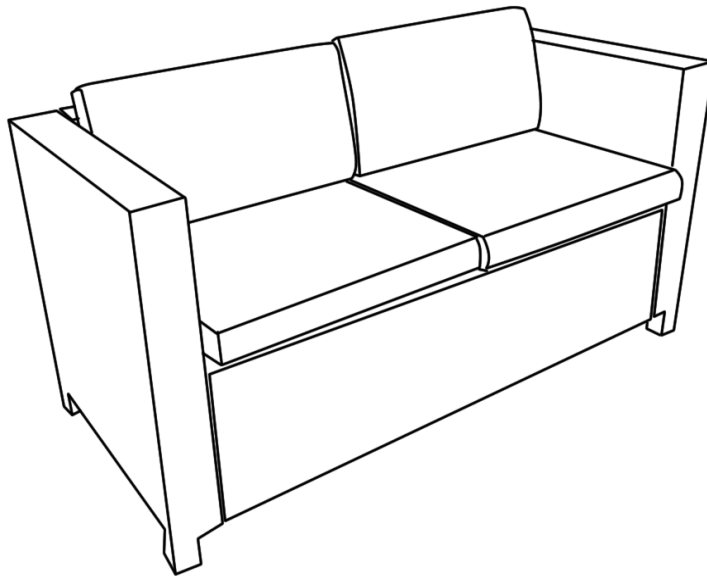
Proposition 65 warnings have become so common in California that it is hard to take a trip to a local bank, grocery store, or restaurant without finding at least one warning. In fact, even the Disney Land Resort has a Proposition 65 warning:




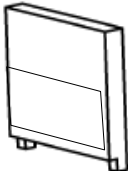
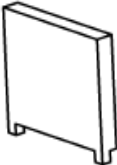
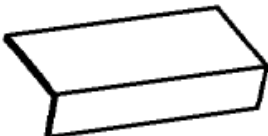
Assembly Instructions

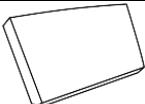
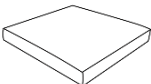
Caution : You must read this before you proceed

Loveseat










Parts List

Label	Picture	Description	QTY
G		Loveseat - Backrest	1
B		Right Armrest	1
C		Left Armrest	1
H		Seat	1

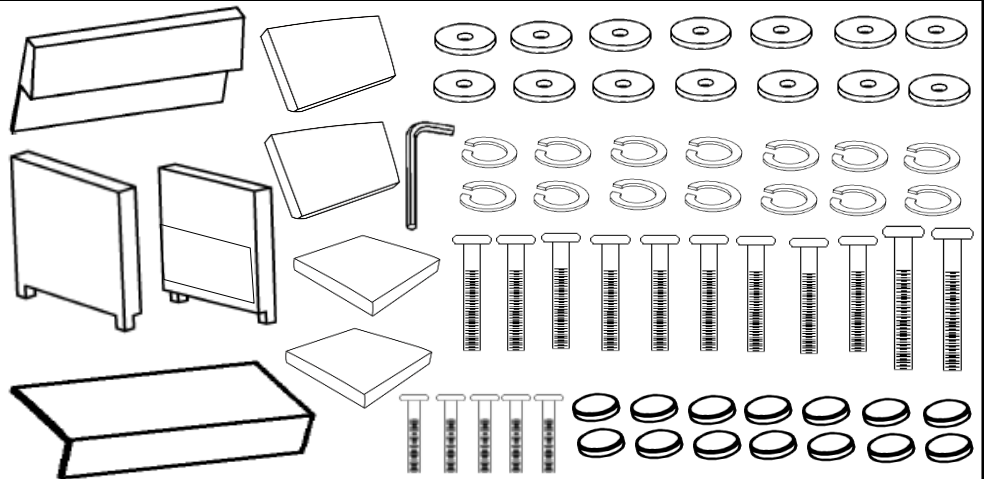
E2		Back Cushion	2
F2		Seat Cushion	2

Hardware

Label	Picture	Description	QTY
①		Bolt Cap	14
②		Bolt (M6*45mm)	9
③		Washer	14
④		Spring Washer (Ø16*2mm)	14
⑤		Allen Key	1
⑥		Bolt (M6*40mm)	5
⑦		Bolt (M6*50mm)	2

Assembly Preparation

Before Beginning Assembly:



- Read instructions, cover to cover-



- Have 2 adults on hand for assembly-



- Do not assemble on flooring or carpet-



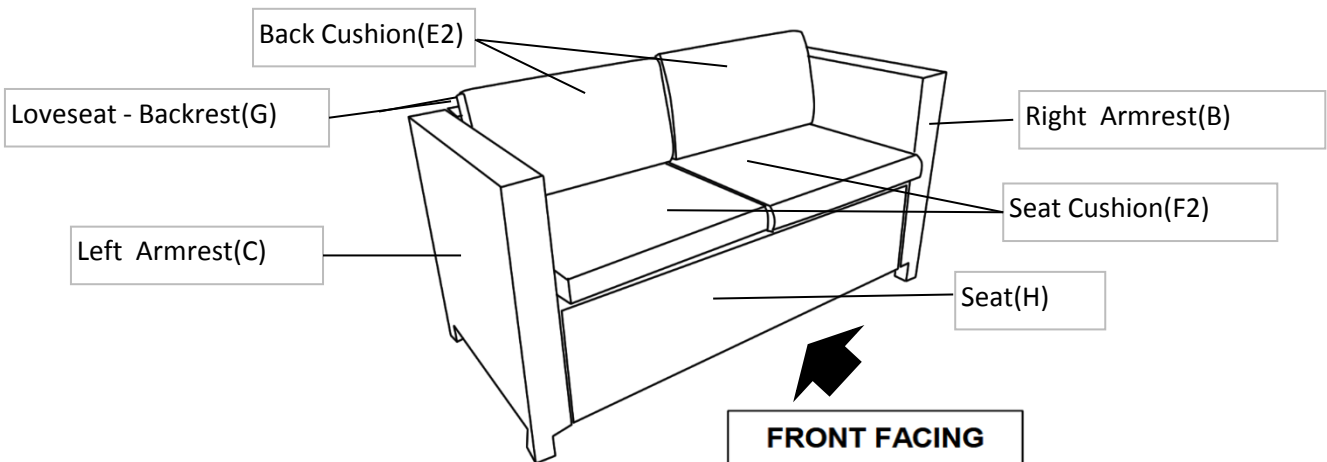
- Assemble on a clean non-marring surface (packing foam)-



- Save all packaging until finished-

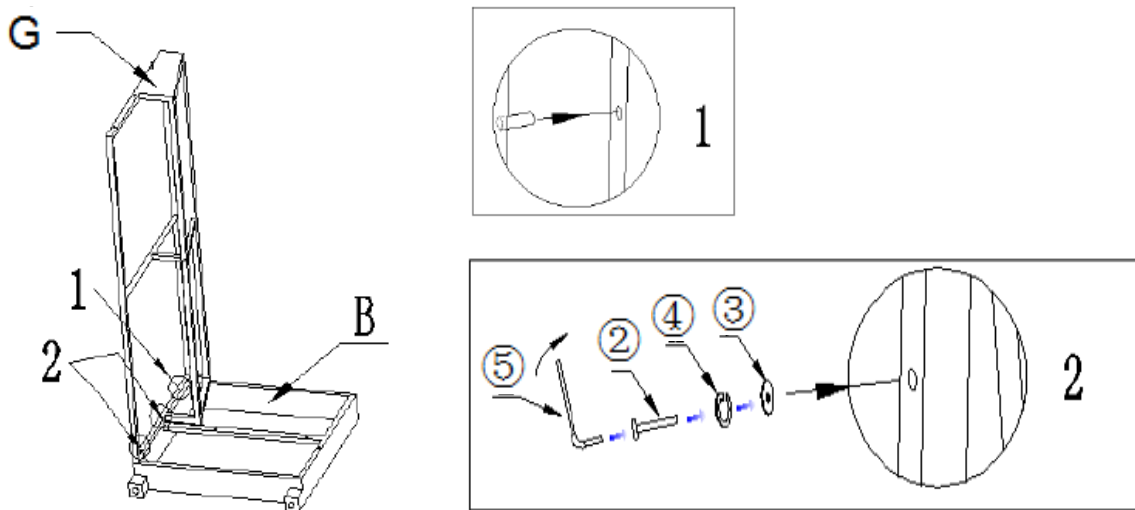
Assembly Steps

Overview



This Loveseat has multiple parts and may require up to some 30 minutes to assemble. To give you an overview of the Loveseat parts, the above picture is to help you put the various parts into perspective. Please read through the instructions here below to familiarise yourself with the parts and steps before assembly.

Step 1



Open the carton and place all the parts onto a clean and soft surface.

Unpack all packages of hardware.

Place the Right Armrest(B) with its inner side, facing skywards .

Put the Backrest(G) against the Left Armrest(B), make the metal rod on the Backrest(G) insert into the MOUNTING POSITIONS of Left Armrest(B) as picture 1 shows.

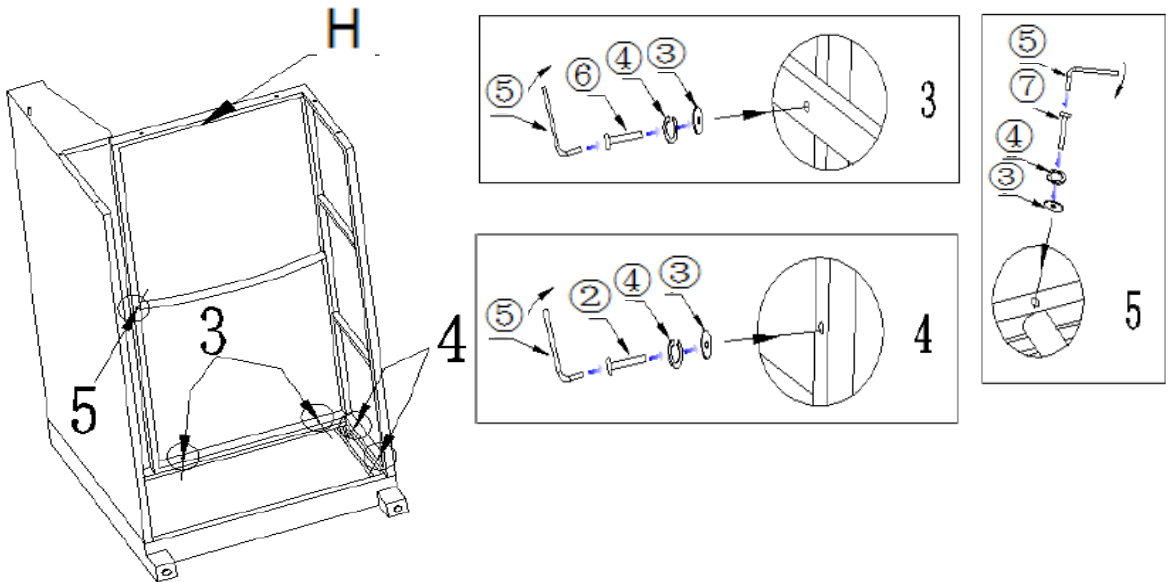
Attach Backrest(G) and Right Armrest(B) together with hardware as picture 2 shows.

Use an Allen Key(5) to partially tighten these.

Do not Fully Tighten at this stage.

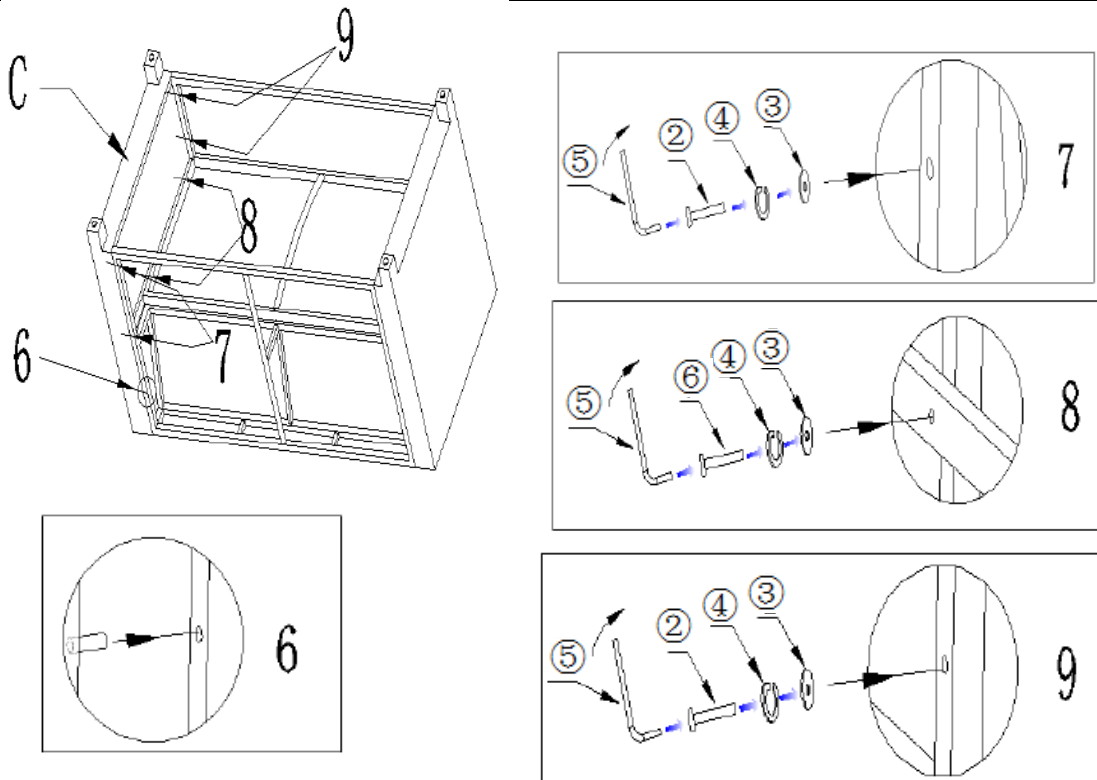
There may be some PE wicker that may have covered the bolt points. To ease assembly, guide and slide the PE wicker away from the mounting positions. DO NOT CUT AWAY any PE WICKER as this would cause the wicker to unravel !

Step 2



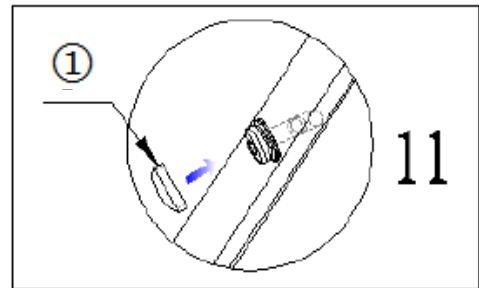
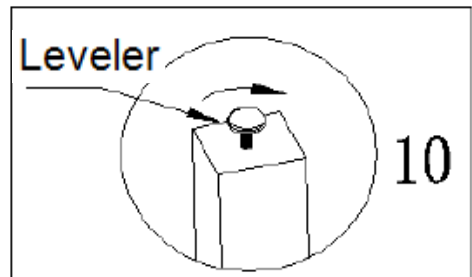
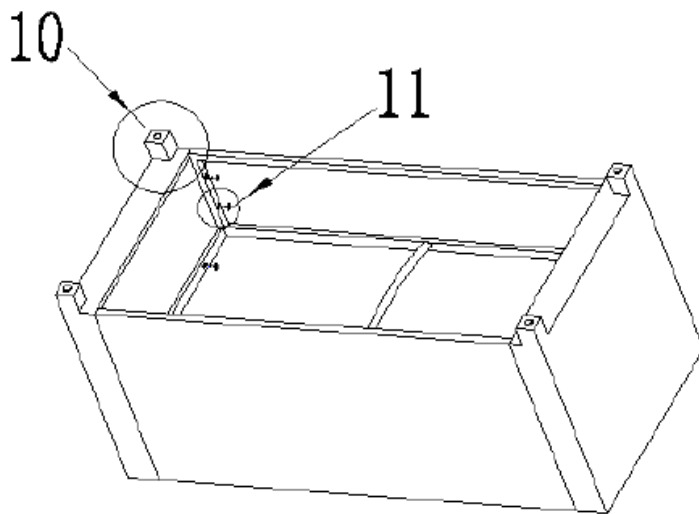
Place the Seat (H) between the Right Armrest(B) and Backrest(G).
Attach the Seat(H) to the Right Armrest(B) with hardware as picture 3 and 4 shows.
Attach Seat(H) to the Backrest(G) with hardware as picture 5 shows.
Use an Allen Key(5) to partially tighten these.
Do not Fully Tighten at this stage.

Step 3



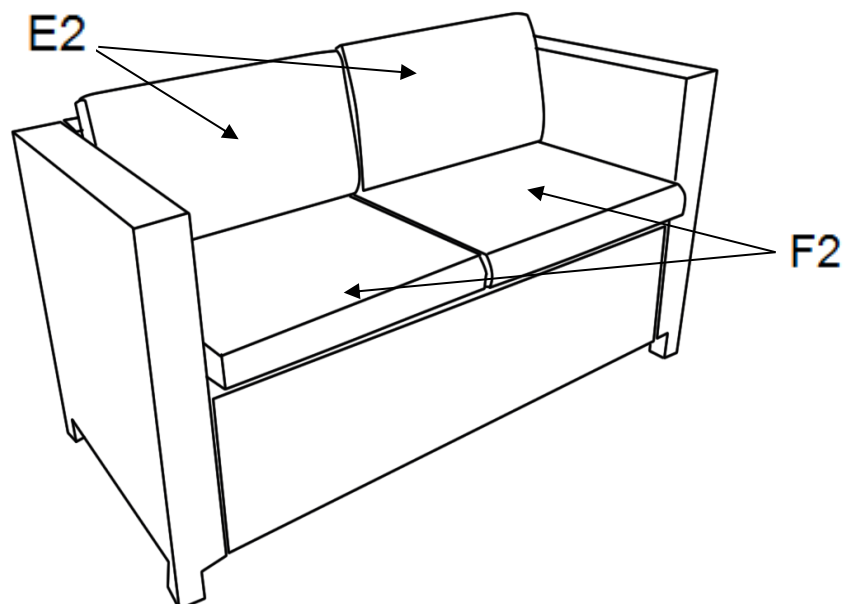
Place the Left Armrest (C) against the Backrest(G) and the Seat(H).
Make the metal rod on Backrest(G) insert into the MOUNTING POSITIONS of Left Armrest(C) as picture 6 shows.
Attach the Backrest (G) to the Left Armrest(C) with hardware as picture 7 shows.
Attach the Seat(H) to the Left Armrest(C) with hardware as picture 8 and 9 shows.
Use an Allen Key(5) to partially tighten these.
Do not Fully Tighten at this stage.

Step 4



Tighten all Bolts completely, put the Plastic Cap(①) to cover the Bolt heads.
Adjust the Leveler to ensure good stability.











Step 5



Put the Seat Cushion(F) & Back Cushion(E) on the Loveseat.
Your Loveseat is ready for use.

This Loveseat can only be used on a flat, level surface.

Care & Maintenance

-  ● Do not put hot items directly on furniture surface
 -  ● Do not clean furniture with harsh cleansers or polish.
 -  ● To obtain the longest lifespan of your outdoor products, minimizing exposure to direct sunlight is recommended.
 -  ● Children should not climb or jump on the furniture.
 -  ● Do not write on furniture without a padded barrier to protect the surface.
 -  ● To obtain the longest lifespan of your outdoor products, avoid extended and lengthy exposure to rain, snow, and direct sunshine. Whenever possible cover the product and /or place under patio or awnings.
 -  ● Not for commercial use. For residential use only .
 -  ● Stains may be removed with mild soap solution and damp cloth.
 -  ● Keep away from sources of ignition.
-
-  ● Dust and pick-up spills using a clean, non-colored, lint-free cloth.

What is Proposition 65?

Proposition 65 is a California law that requires warning labels on products that may contain one of more than 800-plus chemicals or ingredients that the California Office of Environmental Health Hazard Assessment (OEHHA) has deemed to cause cancer or other reproductive toxicity. Chemicals and elements on this list include wood dust, brass, and other everyday substances, which can be found in very common household items, such as: lamps, tableware, jewelry, crystal glasses, electric cords, beauty products, automobiles, and furniture.

Why Did I Find a Proposition 65 Warning on My Home Goods Product?

We include Proposition 65 warnings on all of our products because there is always a chance that one of the 800-plus common chemicals and ingredients listed under this law could potentially be on our furniture or packing materials. We risk large fines under this law, if we don't include this warning.

Should I worry?

We realize you may be worried finding this warning on our products, but we want to reassure you that the hazardous exposure limits for any of these chemicals have never been found on furniture products that we've shipped to our customers. Additionally, this warning label is very common and can be found on almost every piece of furniture sold in the state of California.

Just How Common Are Proposition 65 Warnings?

Proposition 65 warnings have become so common in California that it is hard to take a trip to a local bank, grocery store, or restaurant without finding at least one warning. In fact, even the Disney Land Resort has a Proposition 65 warning:

