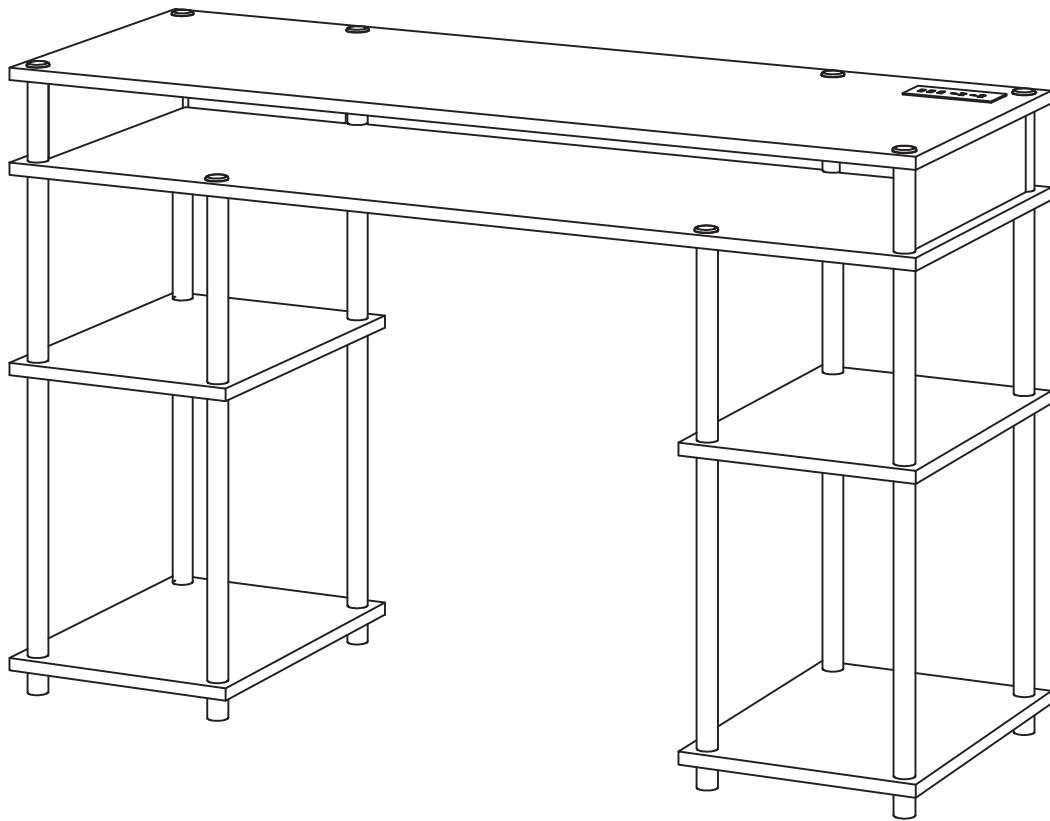



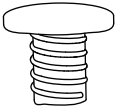

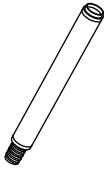
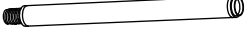


NO TOOLS DESK



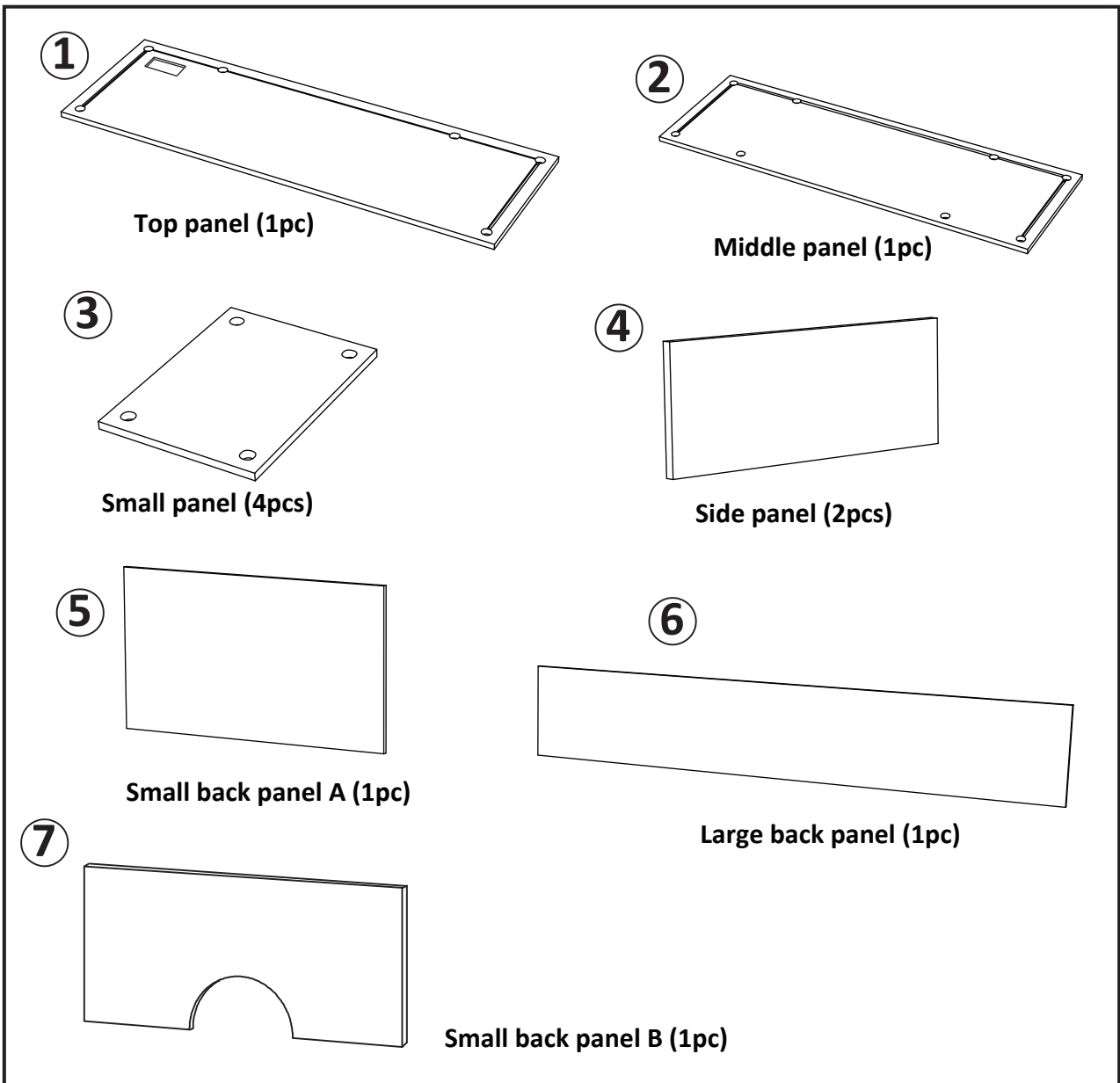
ASSEMBLY INSTRUCTIONS

We have designed our furniture with you , the customer in mind . Our clear , easy to follow , step by step instructions will guide you through the project from start to finish .
Feel confident that this will be a fun and rewarding project . The final product will be a quality piece of furniture that will go together smoothly and give years of enjoyment .

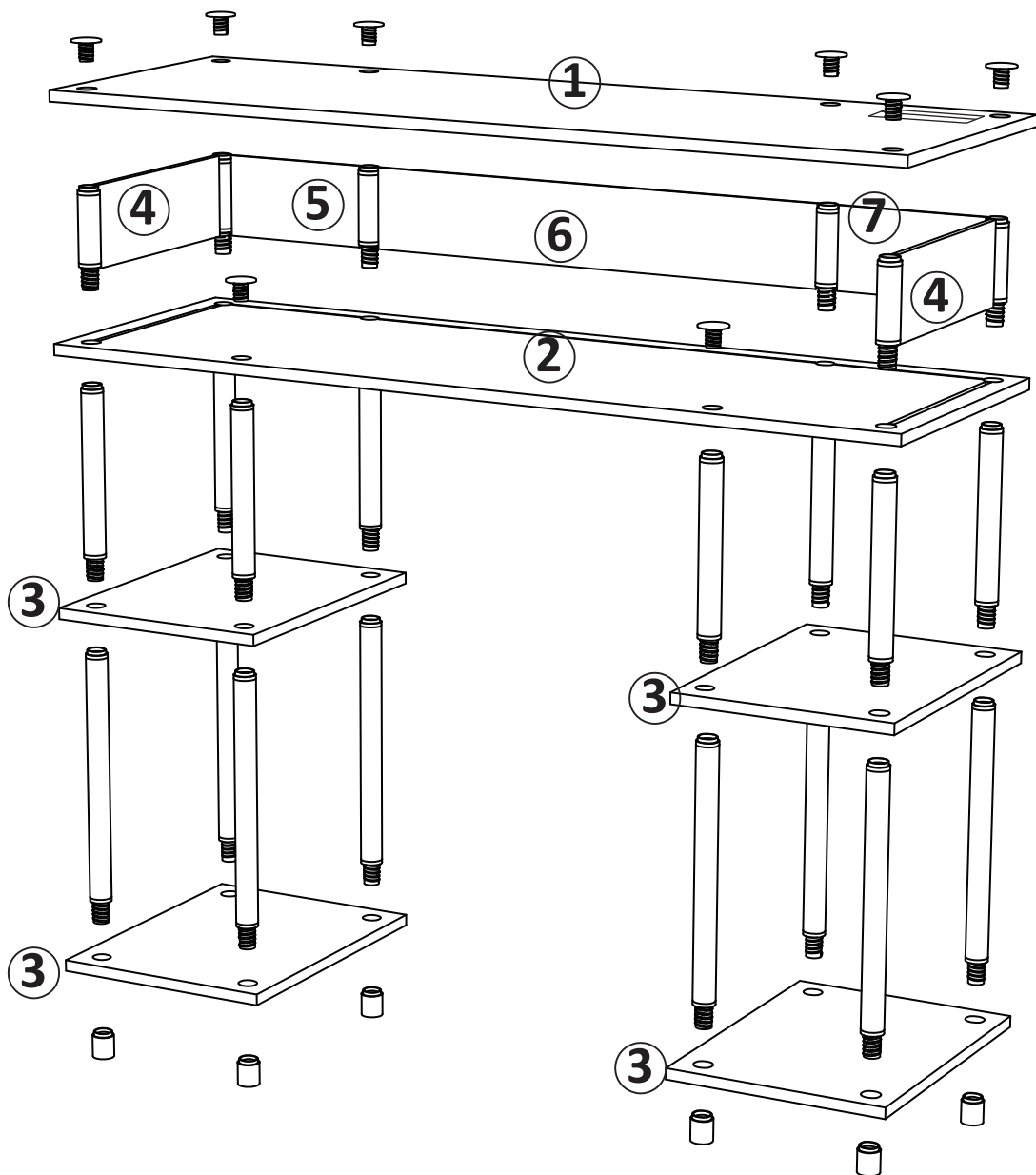
Hardware List

A 	B 	C 	D 
Foot (8pcs)	Cap (8pcs)	Short pole (6pcs)	Middle pole (8pcs)
E 	F 	G 	
Long pole (8pcs)	Socket strip (1pc)	SCREW (2pcs)	

Panel List



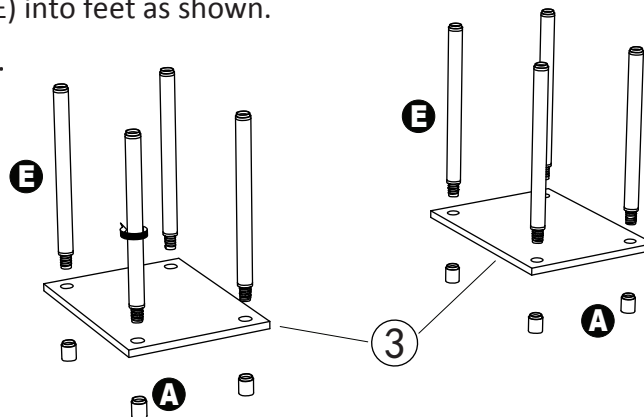
Exploded Views



Step 1

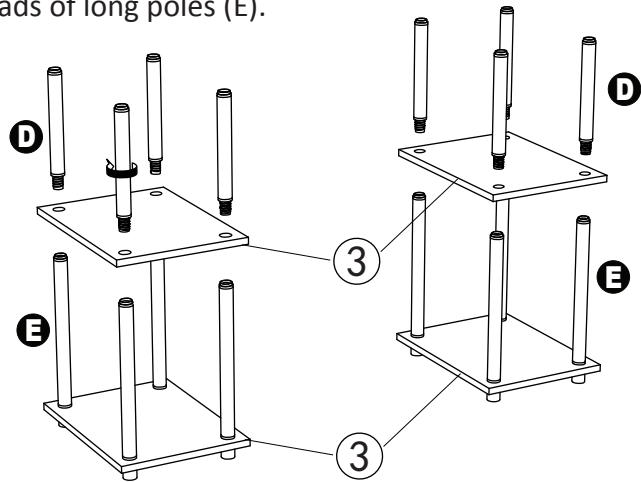
1. Place feet (A) through the holes on small panel (3) and gently screw long metal poles (E) into feet as shown.

*Be careful not to over tighten.



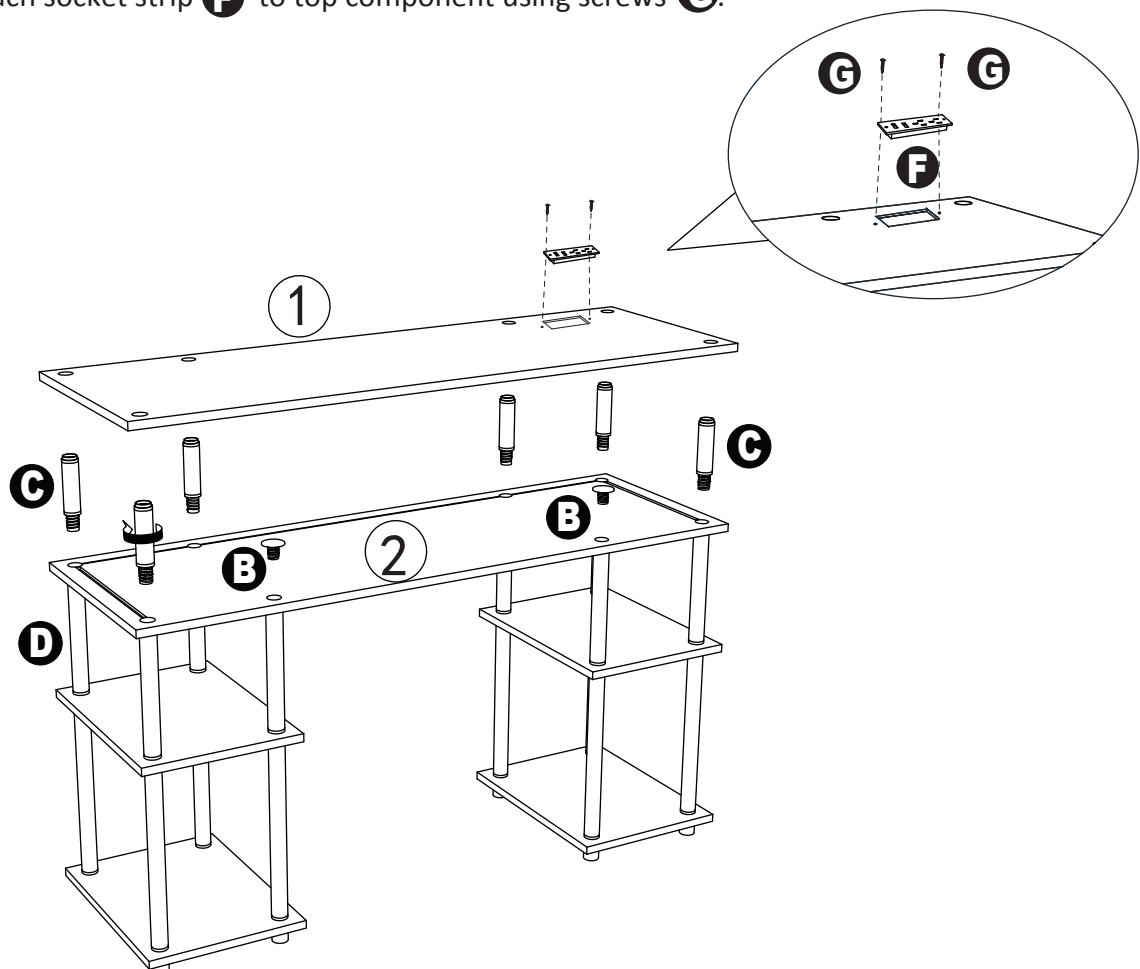
Step 2

1. Place small panels (3) onto poles (E).
2. Gently screw middle poles (D) into threads of long poles (E).



Step 3

1. Place middle panel (2) onto unit with grooves facing up.
2. Screw short poles (C) and caps (B) into threads of middle poles (D).
3. Place top panel (1) onto unit, grooves facing down.
4. Attach socket strip (F) to top component using screws (G).

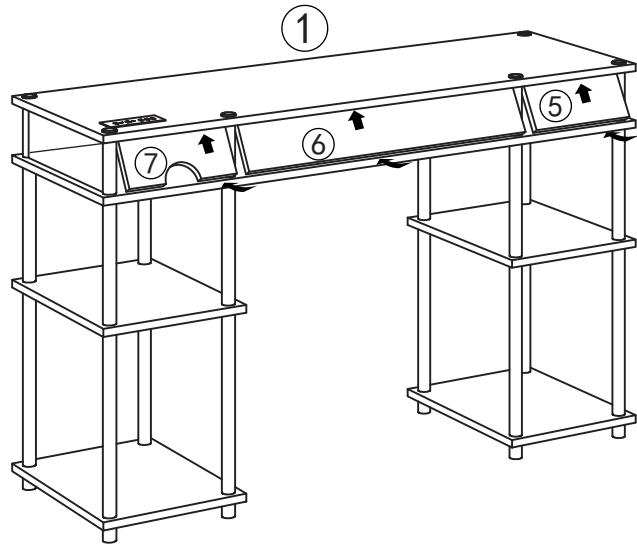


Step 4

1. Slide back panels ⑤ & ⑥ & ⑦ into grooves on underside of top large panel ①.

2. Push the bottom side of back panel into grooves of middle panel ② locking, into position.

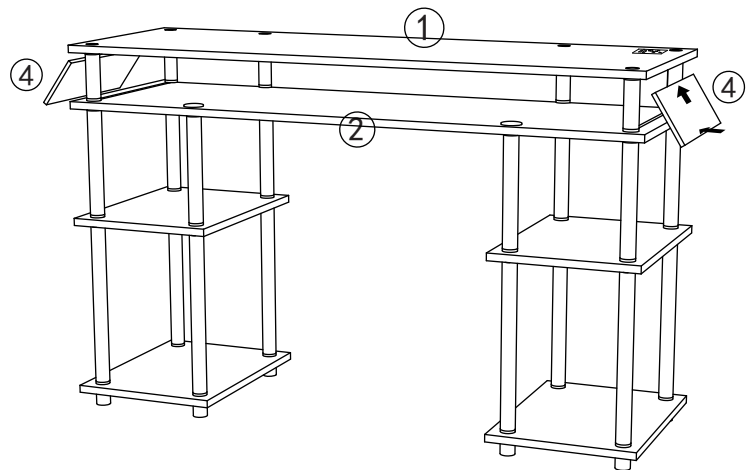
It will be easier to assemble panel ⑤ and ⑦ before assemble panel ⑥.



Step 5

1. Slide side panels ④ into grooves on underside of top large panel ①.

2. Push the bottom side of back panel into grooves of middle panel ②, locking them into position.



Step 6

1. Make sure all side and back panels are locked into grooves, then screw caps (B) to unit.

2. Finish and Enjoy!

