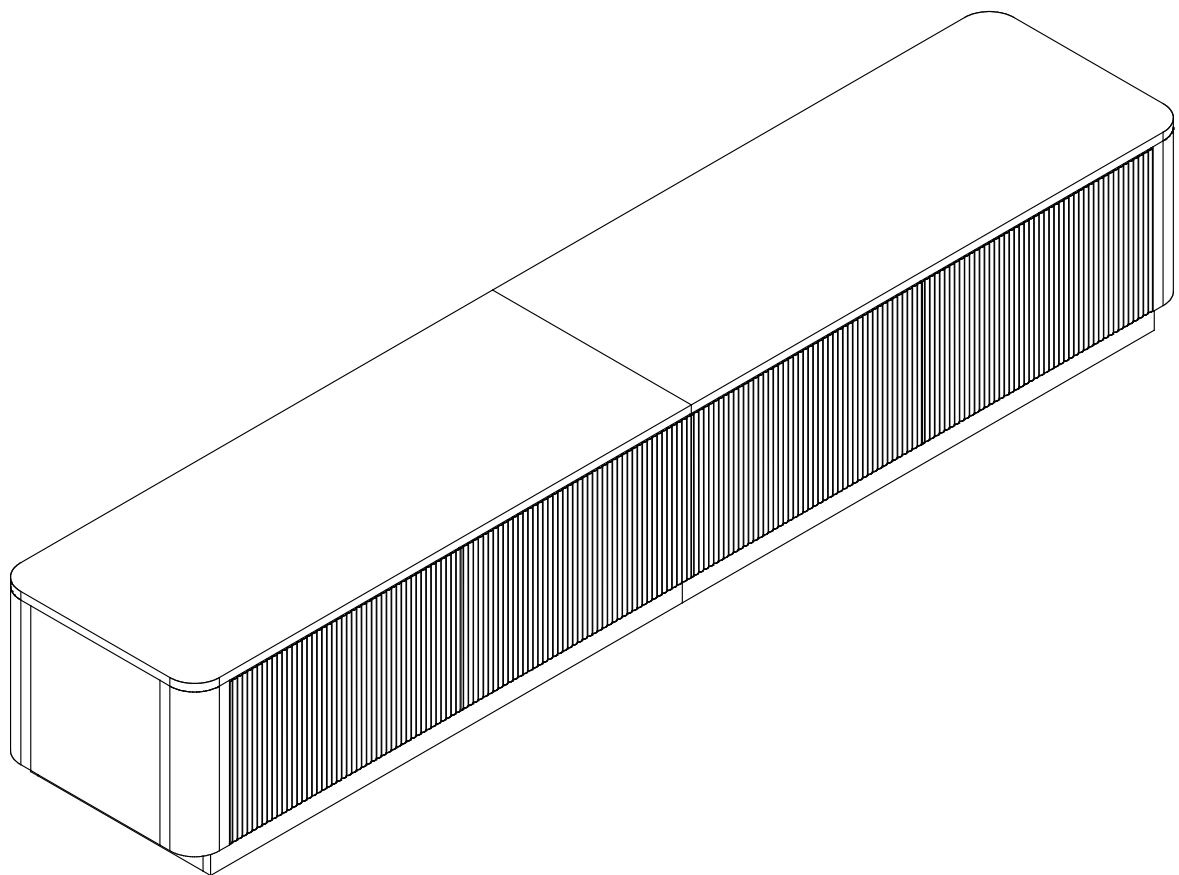


TV Stand

Assembly Instructions - Please keep for future reference



Dimensions

Width-78.9inch

Depth-15.8inch

Height-13.9inch

Important - Please read these instructions fully before starting assembly



Safety and Care Advice

Important – Please read these instructions fully before starting assembly

- Check you have all the components and tools listed on the following pages.
- Remove all fittings from the plastic bags and separate them into their groups.
- Keep children and animals away from the work area, small parts could choke if swallowed.
- Make sure you have enough space to layout the parts before starting.

- During assembly do not stand or put weight on the product, this could cause damage.
- Assemble the item as close to its final position (in the same room) as possible.
- Assemble on a soft level surface to avoid damaging the unit or your floor.
- Parts of the assembly will be easier with 2 people.



power drill is set on a low torque setting.

- To reduce the likelihood of damaging your product please ensure that your

Care and maintenance

- Only clean using a damp cloth and mild detergent, do not use bleach or abrasive cleaners.
- From time to time check that there are no loose screws on this unit.
- This product should not be discarded with household waste. Take to your local authority waste disposal centre.

Handy Hints

- Assemble all parts and bolts loosely during assembly, only once the product is complete should you fully tighten the bolts
- Regularly check and ensure That all bolts and fittings are tightened properly.

WARNING
In order to help prevent overturning – please follow these instructions

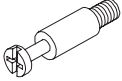


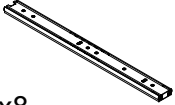
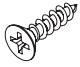
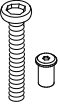
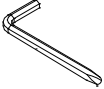

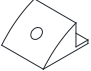

To help prevent product toppling over please follow the below steps:-

- Use the anti tip stap or wall fixing method provided (if applicable)
- Do not allow children to climb or hang on the furniture
- Do not open more than one drawer at a time
- Do not place heavy items in the top drawers
- Do not place heavy items on top of the furniture, unless the furniture has been designed for this purpose

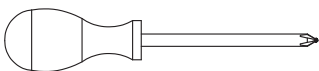
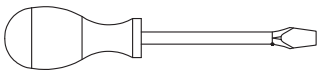
Components - Fittings

Please check you have all the panels listed below

Note: The quantities below are the correct amount to complete the assembly. In some cases more fittings may be supplied than are required.

<p>A</p>  <p>Cam Bolt x 80+2</p>	<p>B</p>  <p>Cam lock x 80+2</p>	<p>C</p>  <p>Dowel x 48+2</p>	<p>D</p>  <p>Slide x8</p>
<p>E</p>  <p>3*12mm Screw x 32+2</p>	<p>F</p>  <p>6x25mm Screw x 2</p>	<p>G</p>  <p>x 1</p>	<p>H</p>  <p>3.5*14mm Screw x 8+1</p>
<p>I</p>  <p>x 8</p>	<p>J</p>  <p>4x30mm Screw x 16+1</p>		

Tools required



Phillips screwdriver
(medium & large)

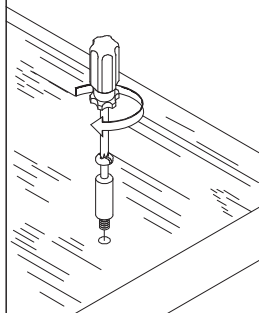
Using Camlocks

Step 1

Connect the male camlock as directed in the assembly instructions using a screwdriver.

1

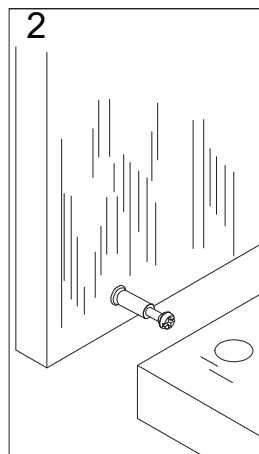
DO NOT OVER TIGHTEN.
NE PAS SERRER EXCESSIVEMENT.



Step 2

Push the male camlock into the entry hole.

2

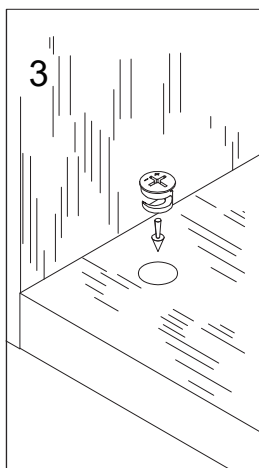


Step 3

Insert the female camlock as shown in the instruction.

Note: ensure that the arrow on the top of the camlock points towards the entry hole for the male camlock.

3



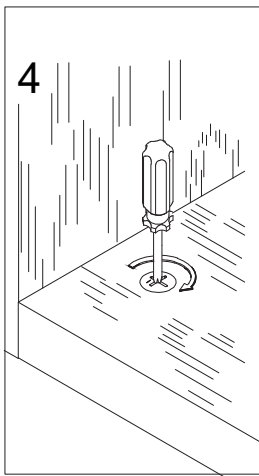
Step 4

Turn the female camlock clockwise with a screwdriver.

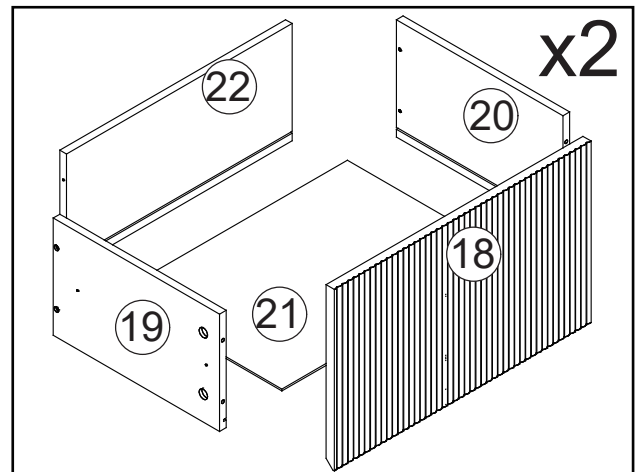
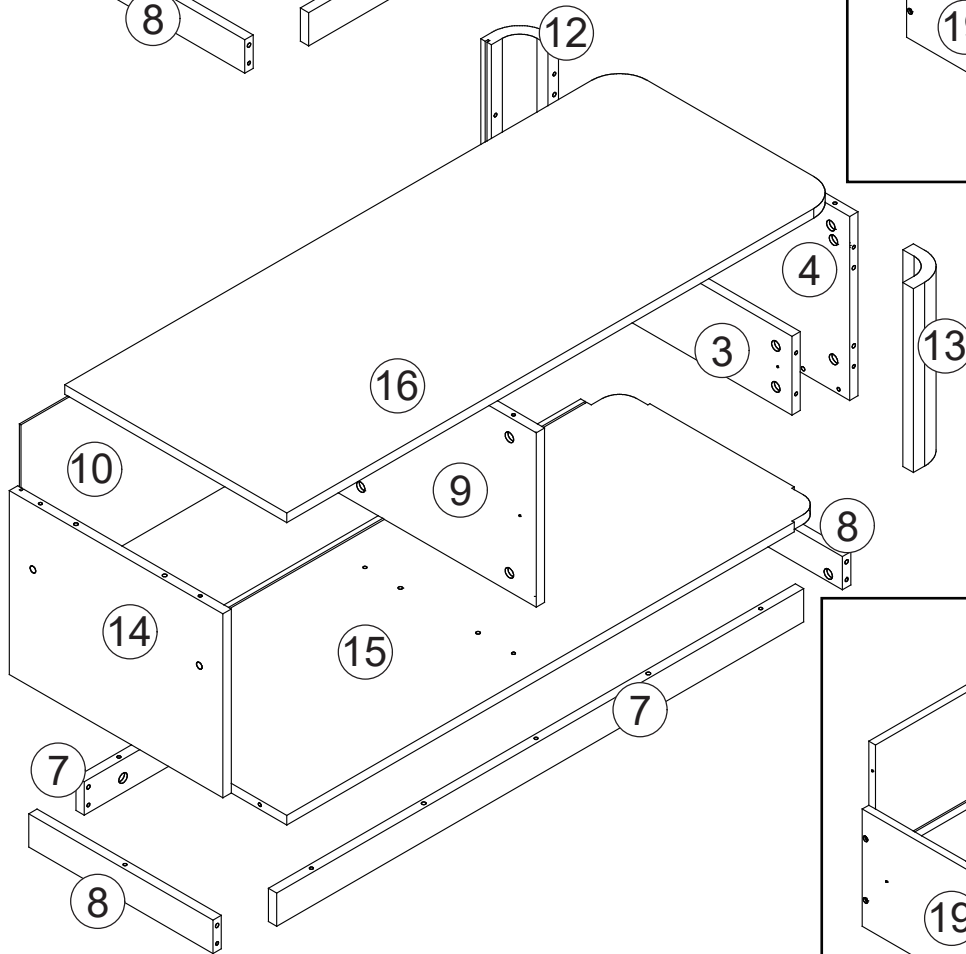
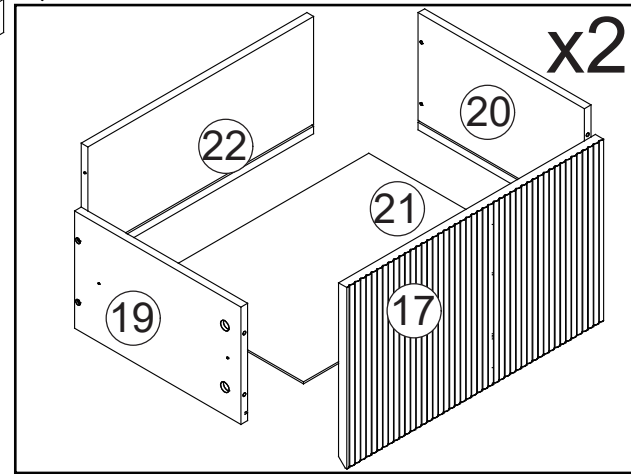
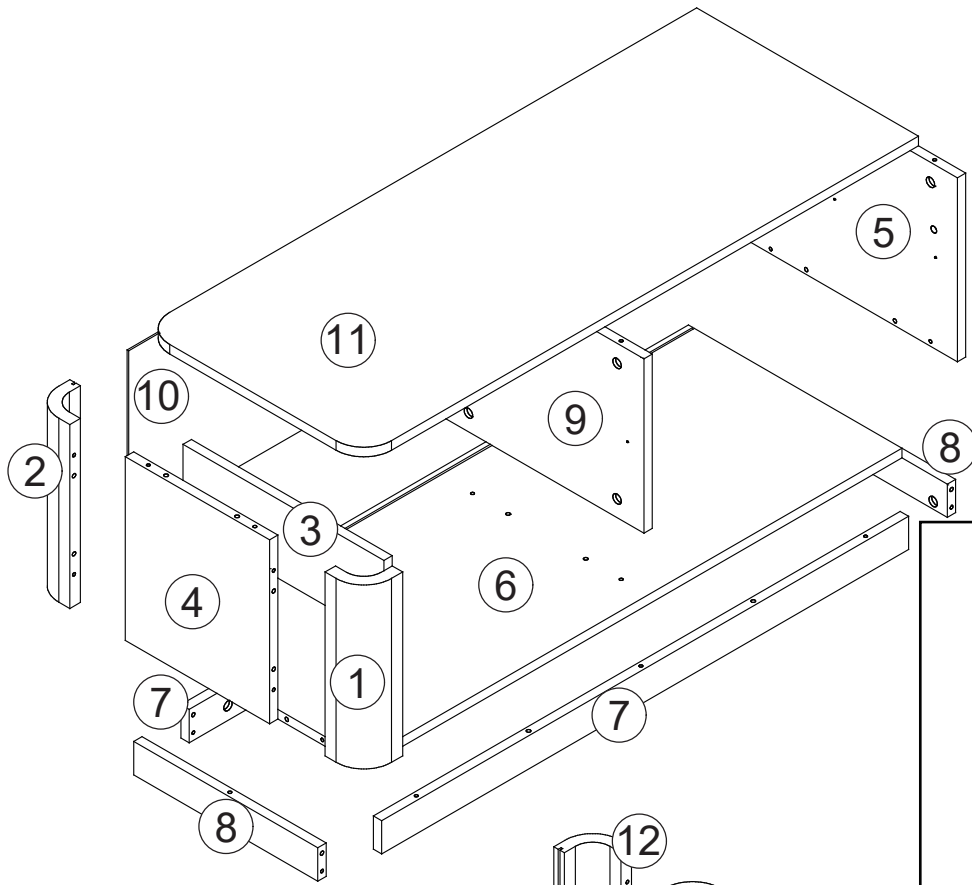
You should feel a click when the camlock is locked in place.

The joint is now secure.

4

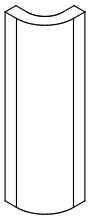


Assembly Instructions



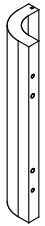
Assembly Instructions

① x1



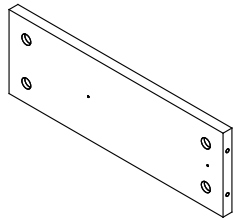
286 x 70 x 18mm

② x1



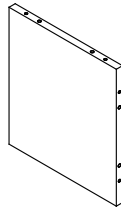
286 x 70 x 18mm

③ x2



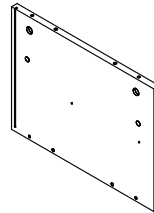
360 x 121 x 15mm

④ x2



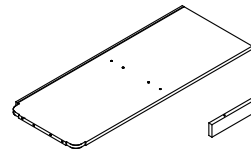
286 x 255 x 15mm

⑤ x1



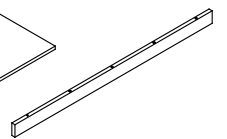
383 x 286 x 15mm

⑥ x1



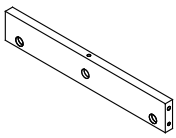
970 x 383 x 15mm

⑦ x4



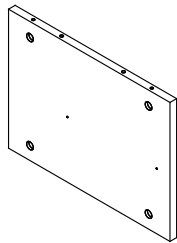
950 x 52 x 15mm

⑧ x4



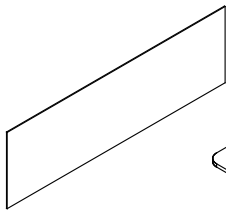
330 x 52 x 15mm

⑨ x2



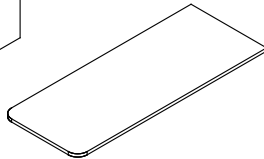
361 x 272 x 15mm

⑩ x2



925 x 280 x 3mm

⑪ x1



1002 x 401 x 15mm

⑫ x1



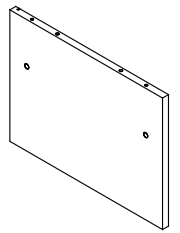
286 x 70 x 15mm

⑬ x1



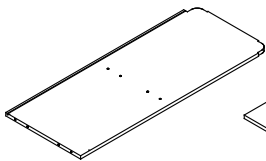
286 x 70 x 15mm

⑭ x1



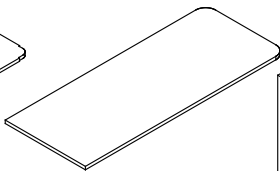
383 x 286 x 15mm

⑮ x1



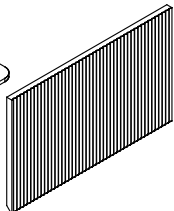
970 x 383 x 15mm

⑯ x1



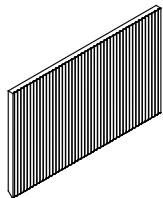
1002 x 401 x 15mm

⑰ x2



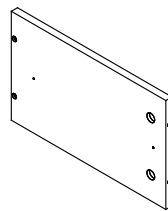
462 x 282 x 15mm

⑱ x2



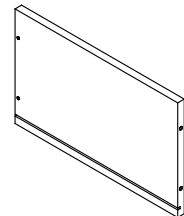
462 x 282 x 15mm

⑲ x4



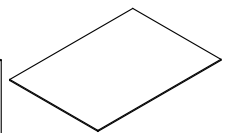
300 x 182 x 12mm

⑳ x4



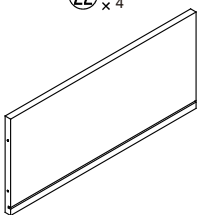
300 x 182 x 12mm

㉑ x4



416 x 298 x 3mm

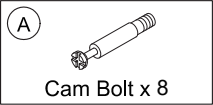
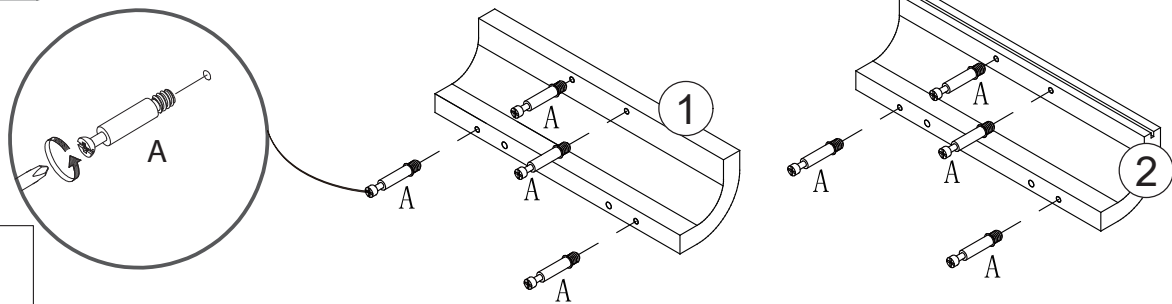
㉒ x4



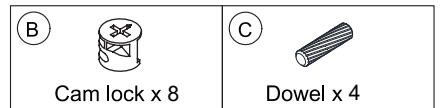
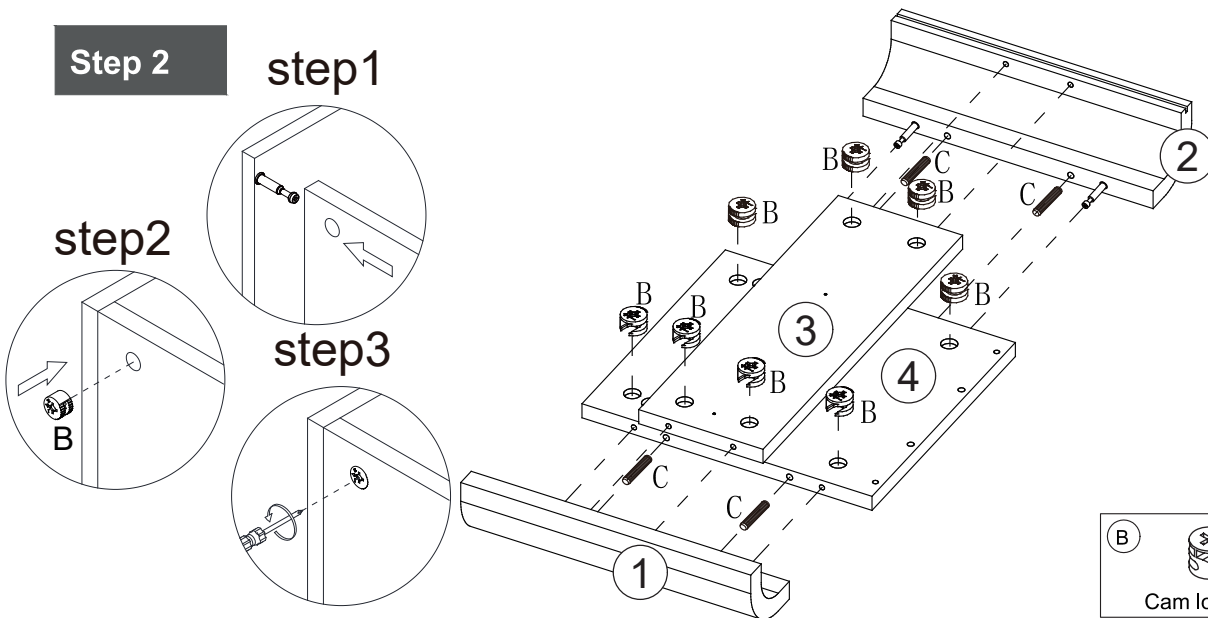
406 x 182 x 12mm

Assembly Instructions

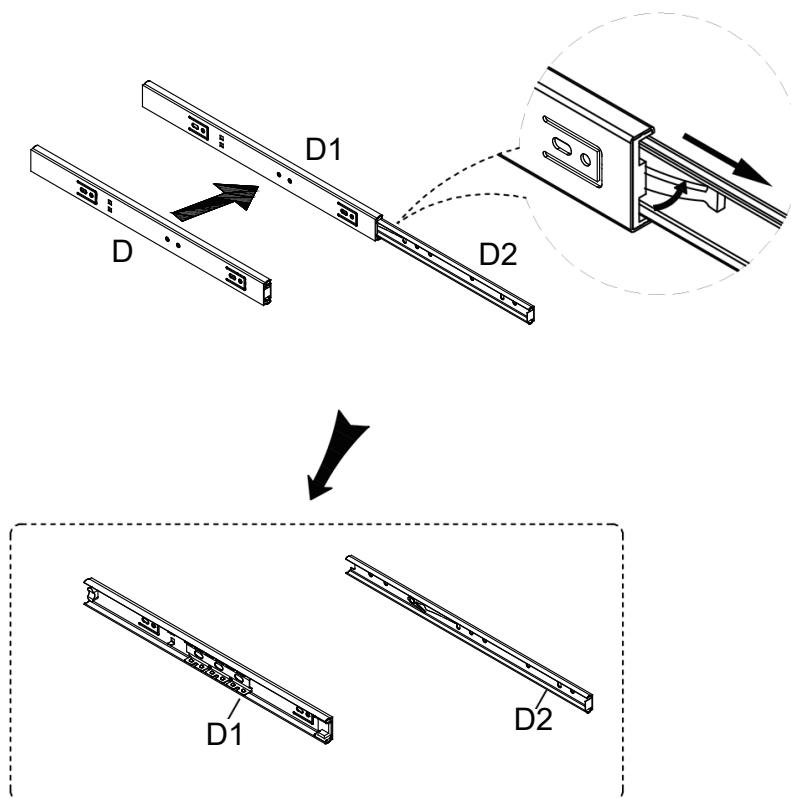
Step 1



Step 2



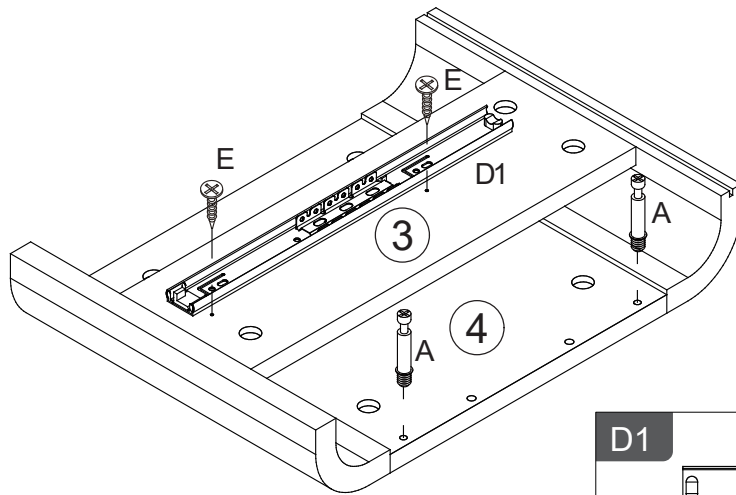
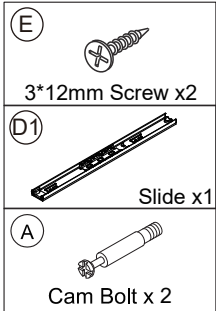
Step 3



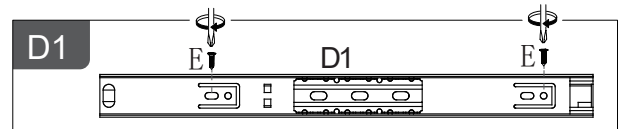
x8

Assembly Instructions

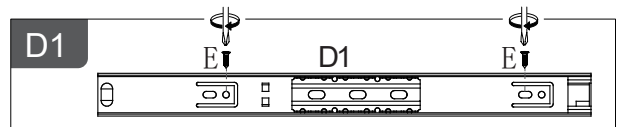
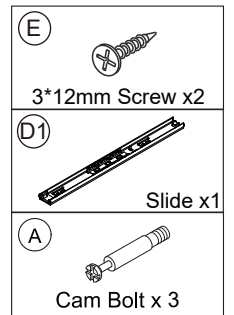
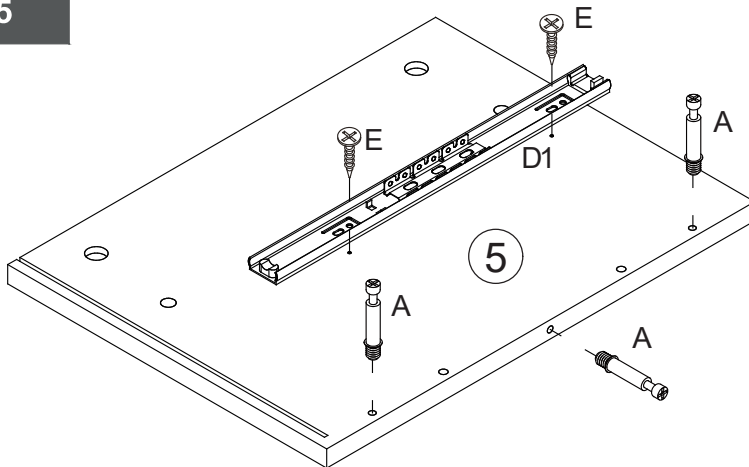
Step 4



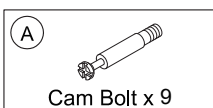
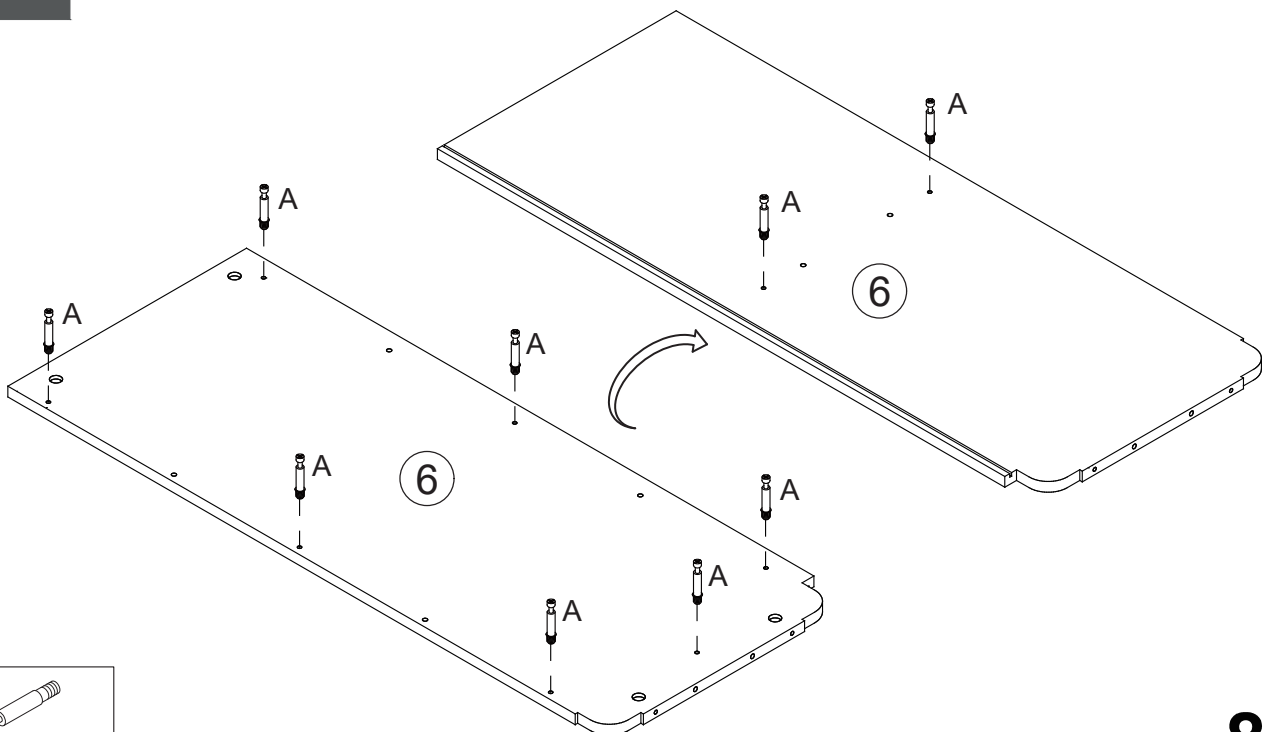
Please refer to the holes of the rails in each step to install the screws



Step 5

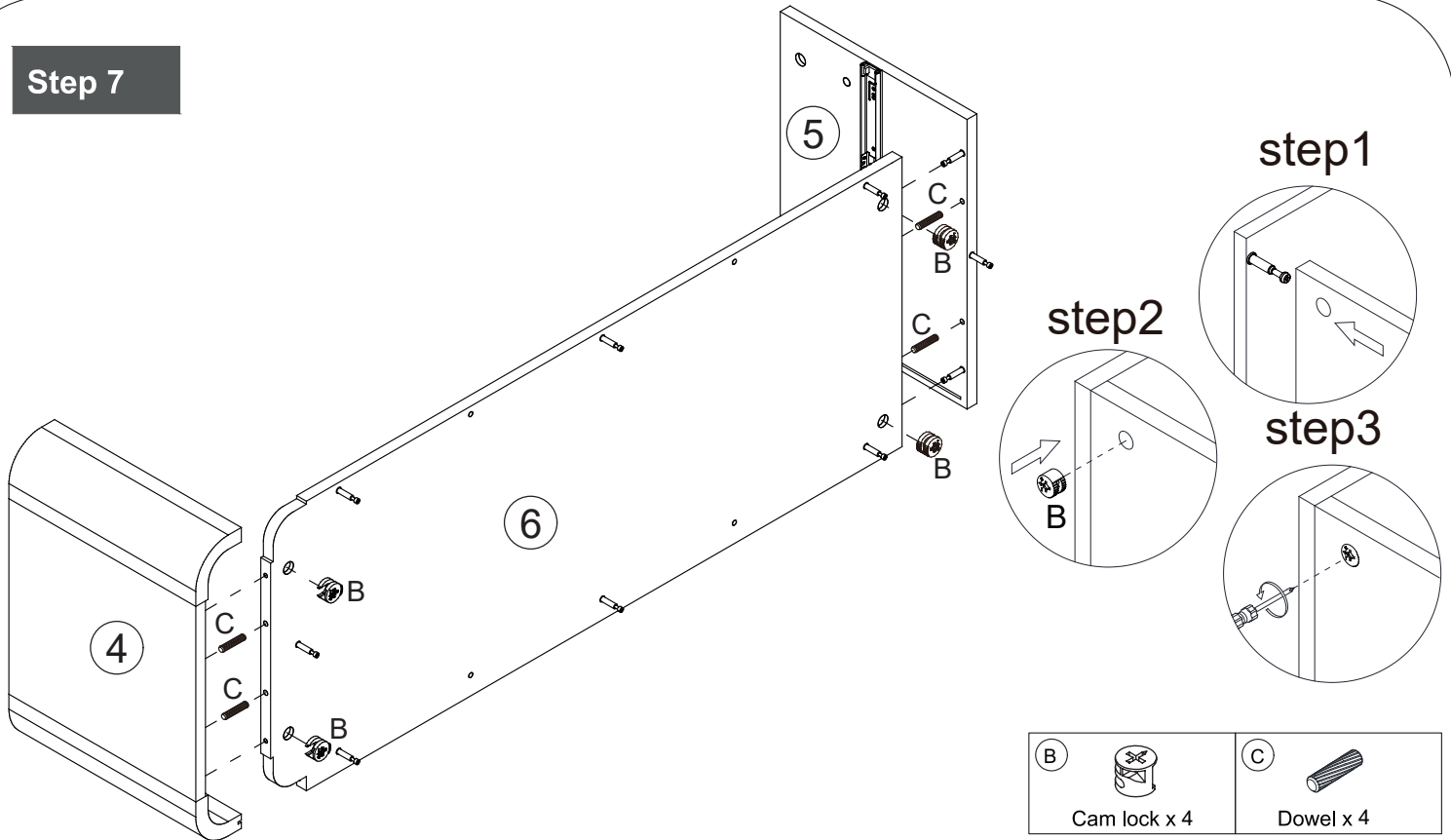


Step 6

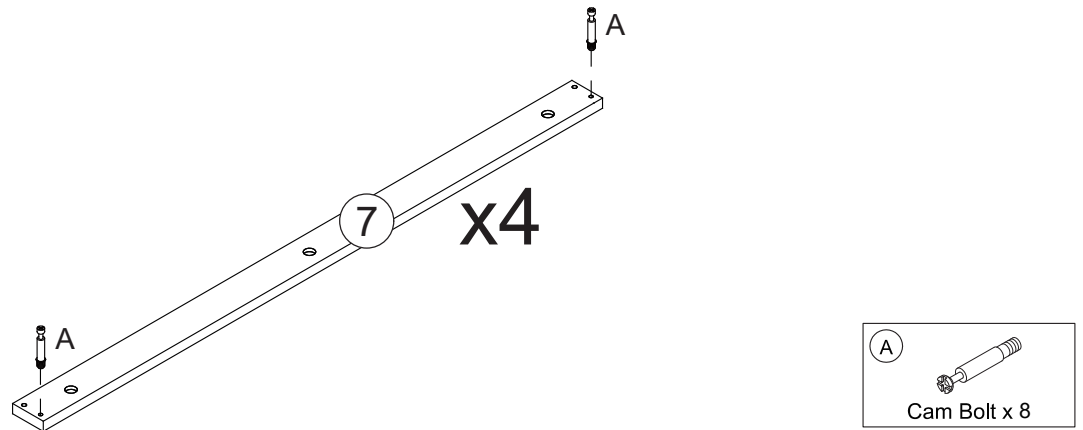


Assembly Instructions

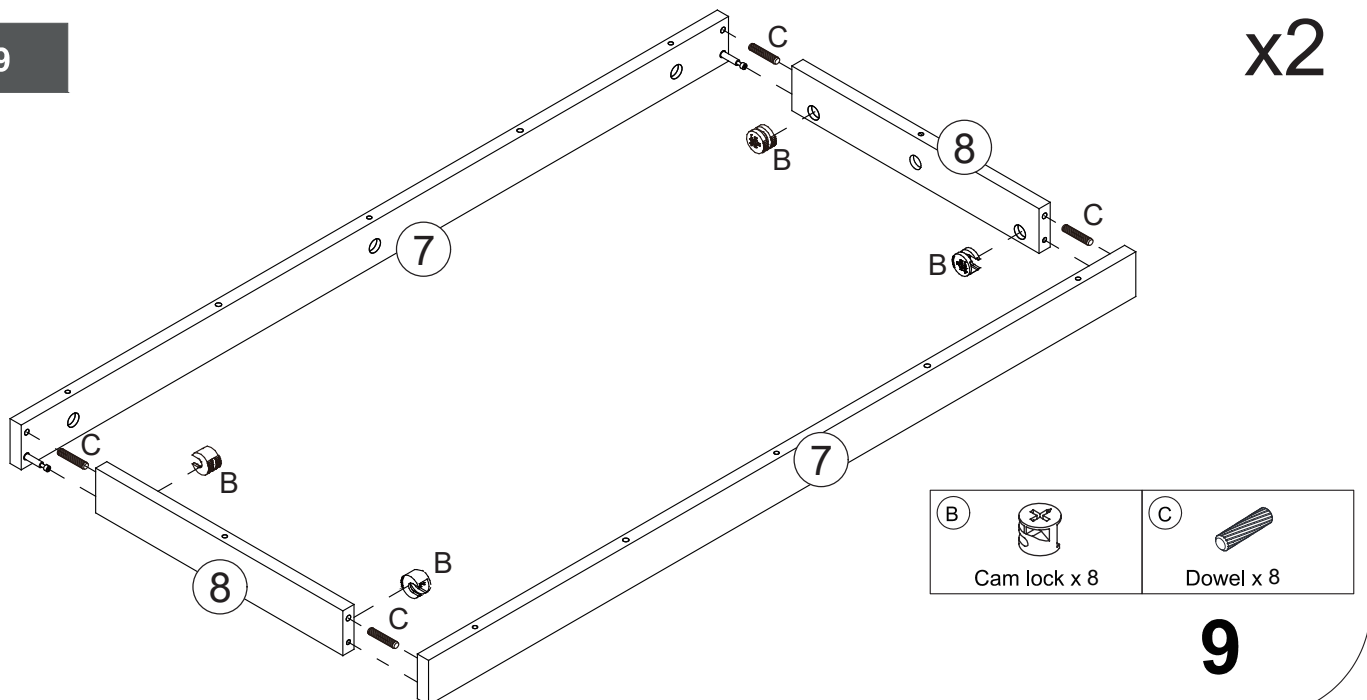
Step 7



Step 8

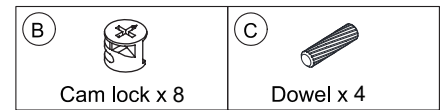
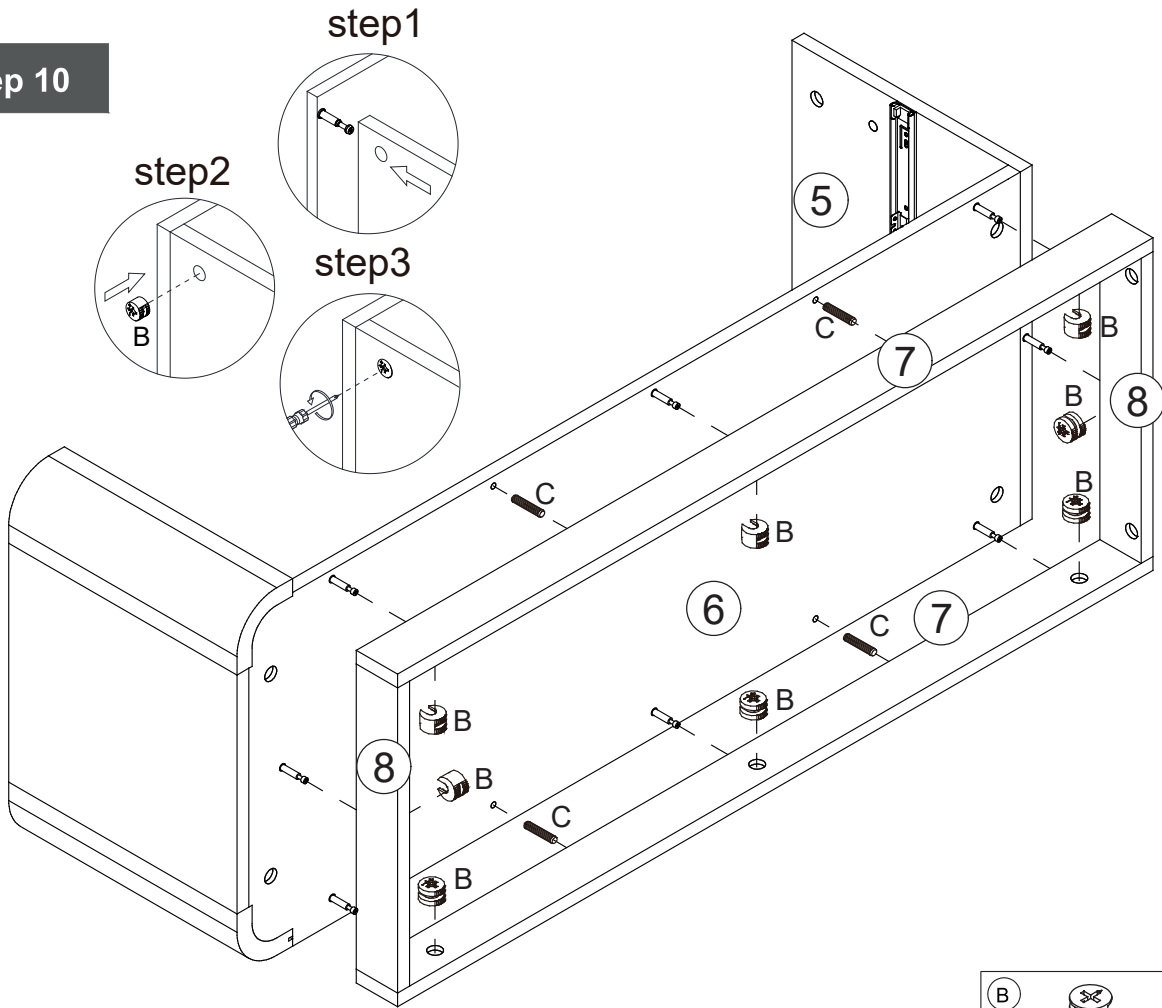


Step 9



Assembly Instructions

Step 10

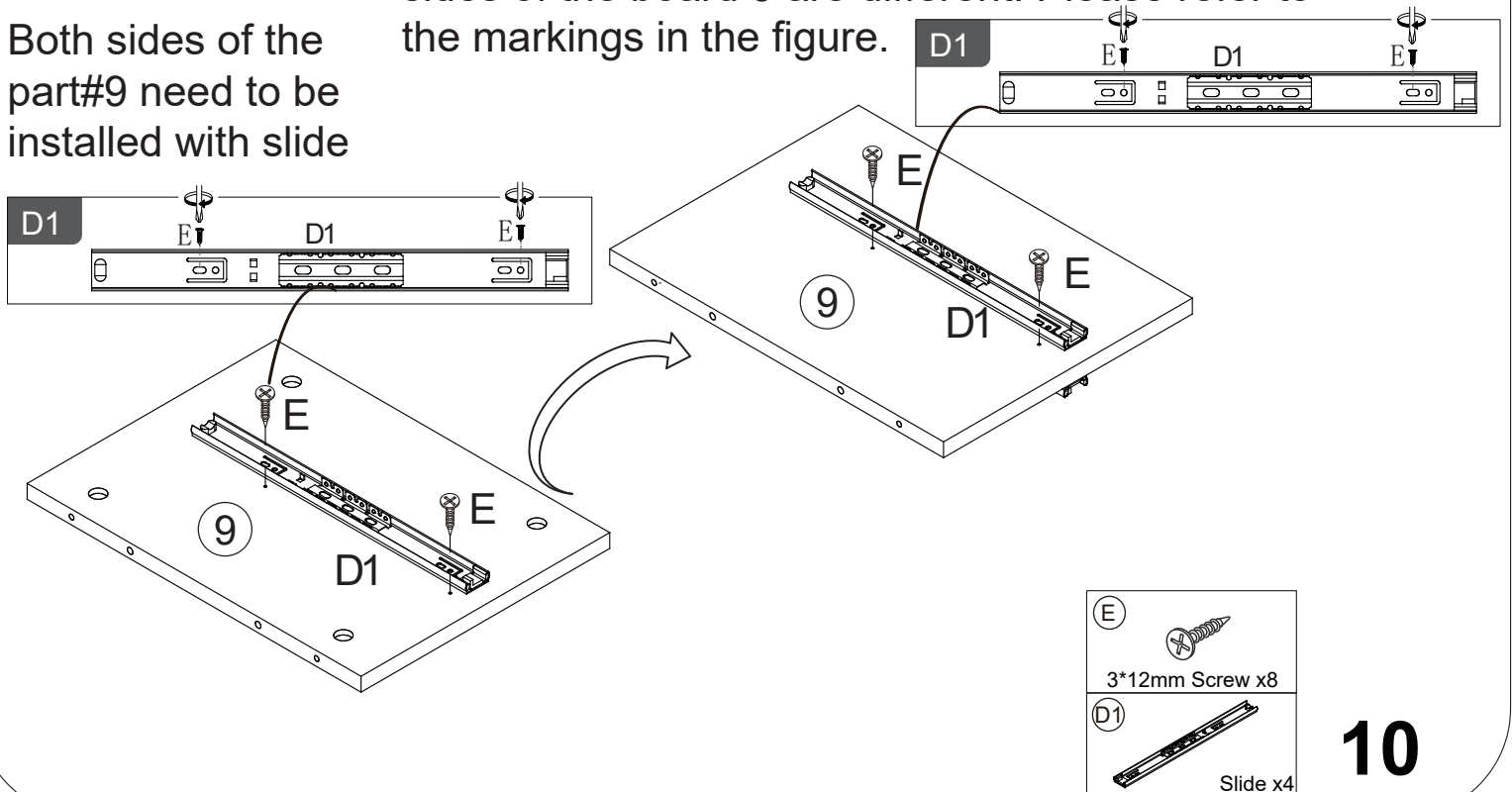


Step 11

Both sides of the part#9 need to be installed with slide

The holes to install screws for the rails on the two sides of the board 9 are different. Please refer to the markings in the figure.

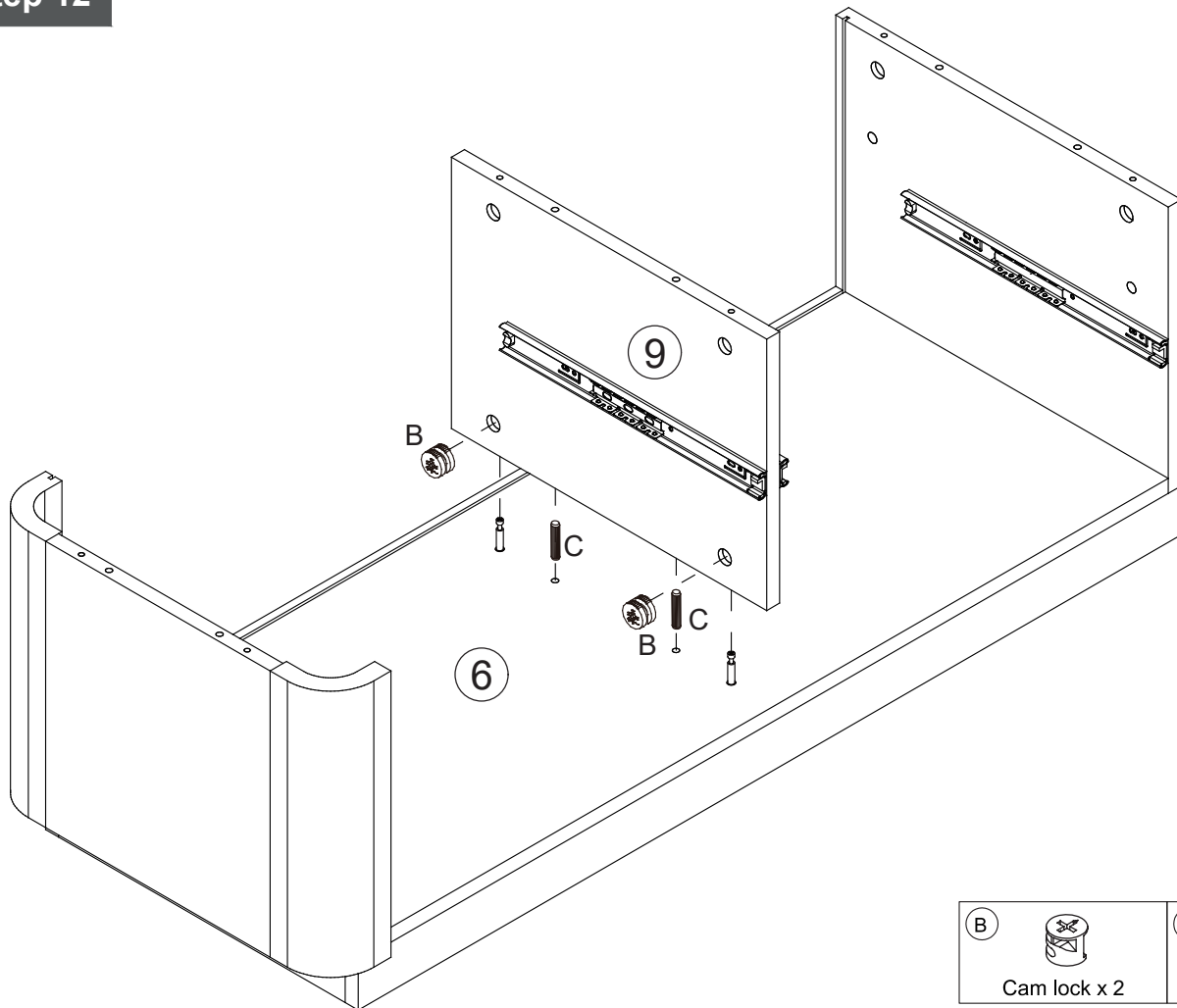
x2



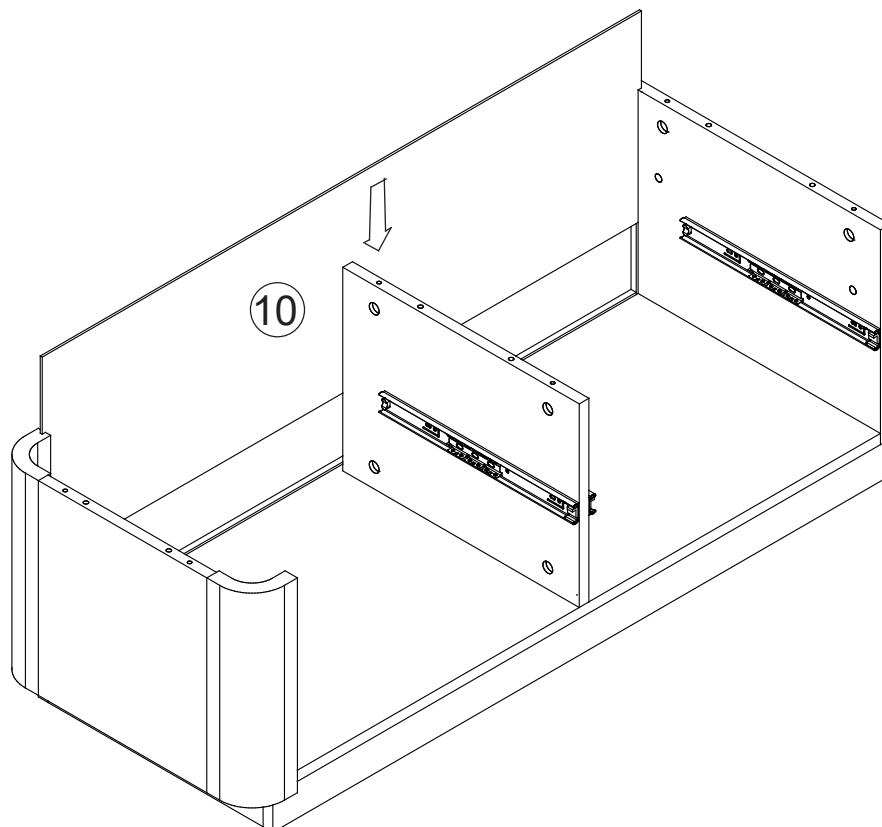
10

Assembly Instructions

Step 12

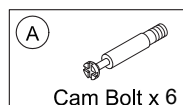
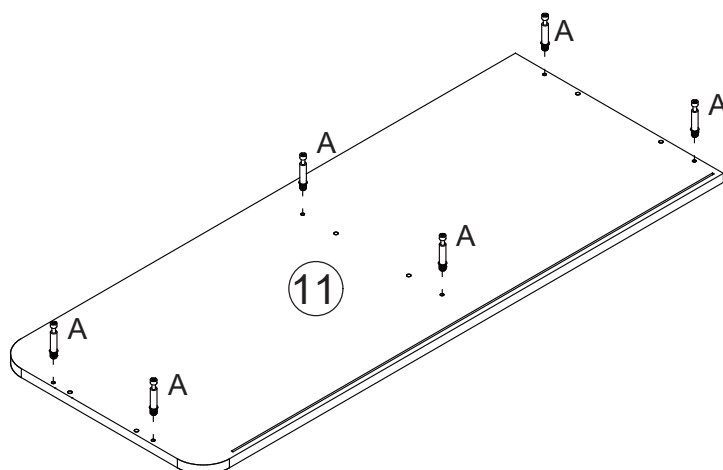


Step 13

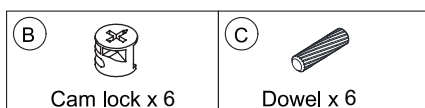
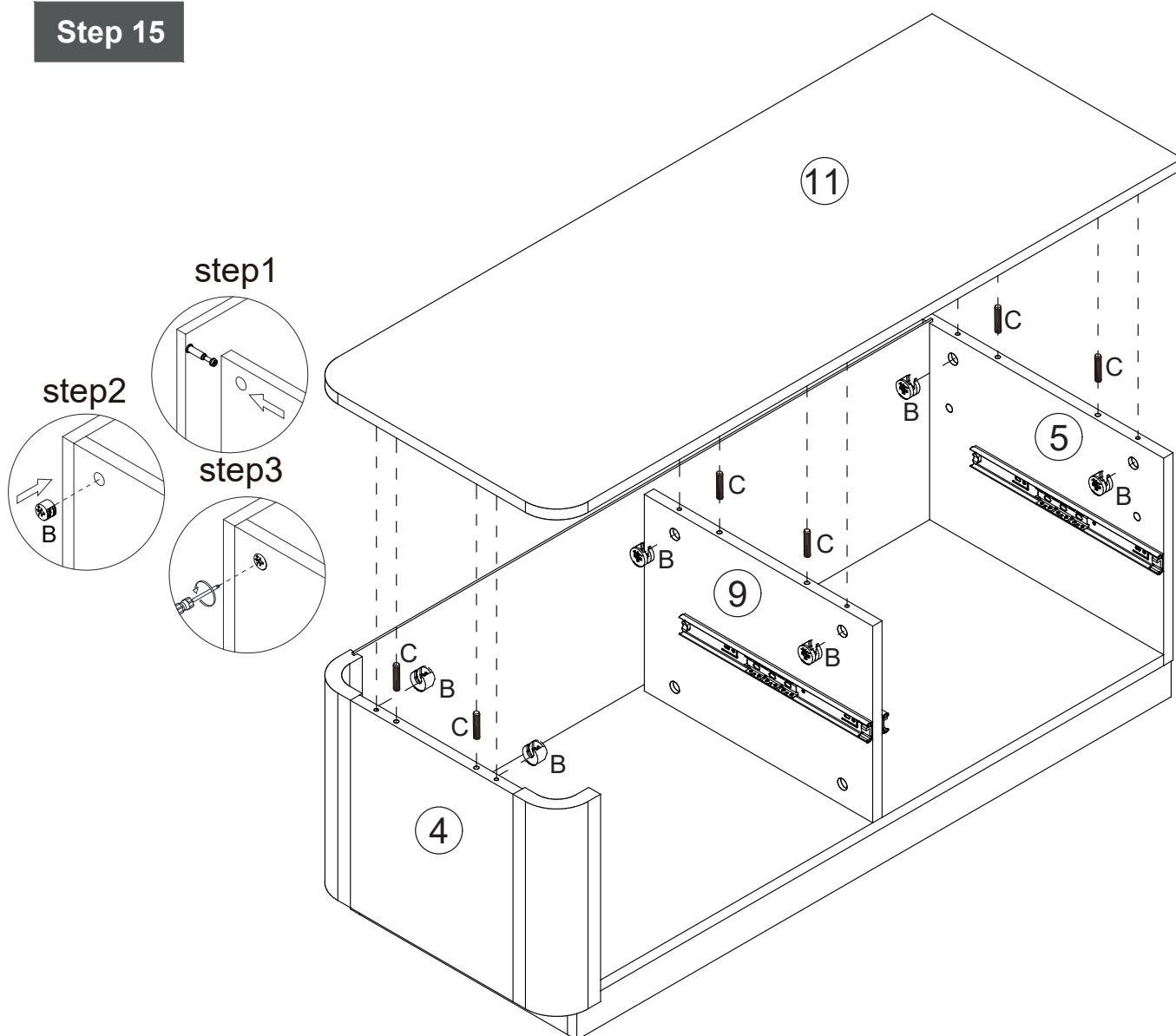


Assembly Instructions

Step 14

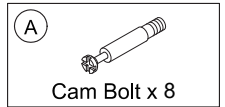
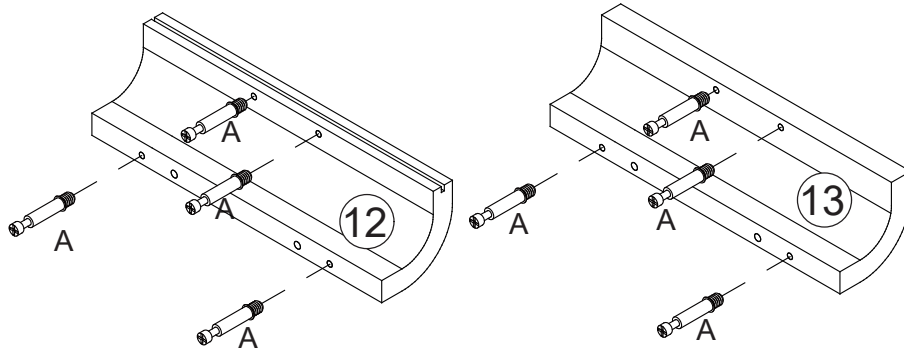


Step 15

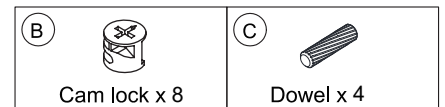
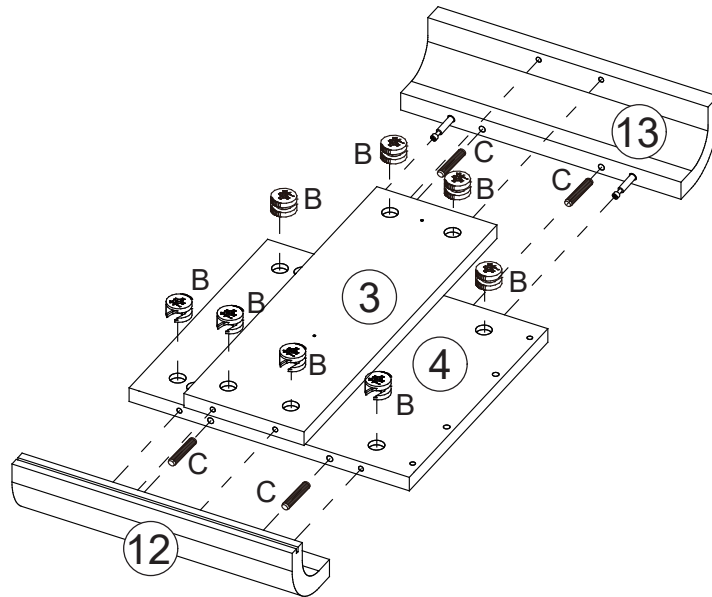


Assembly Instructions

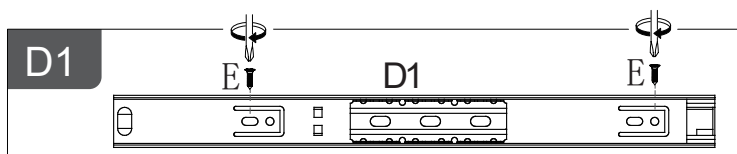
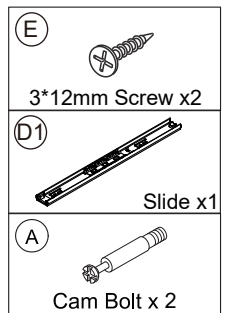
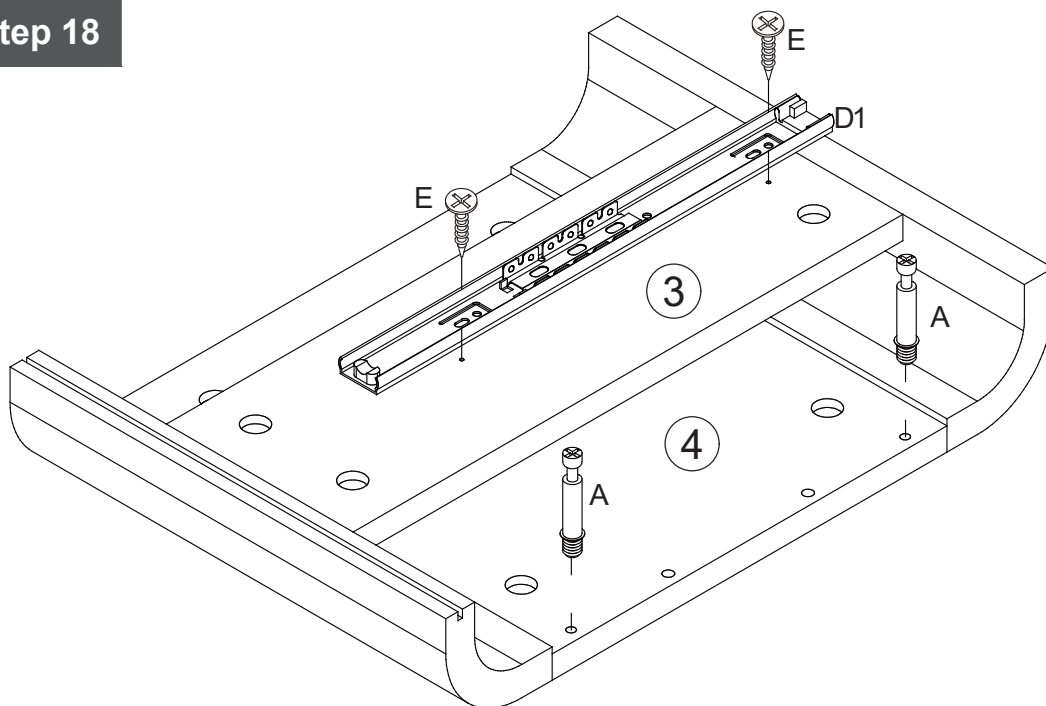
Step 16



Step 17

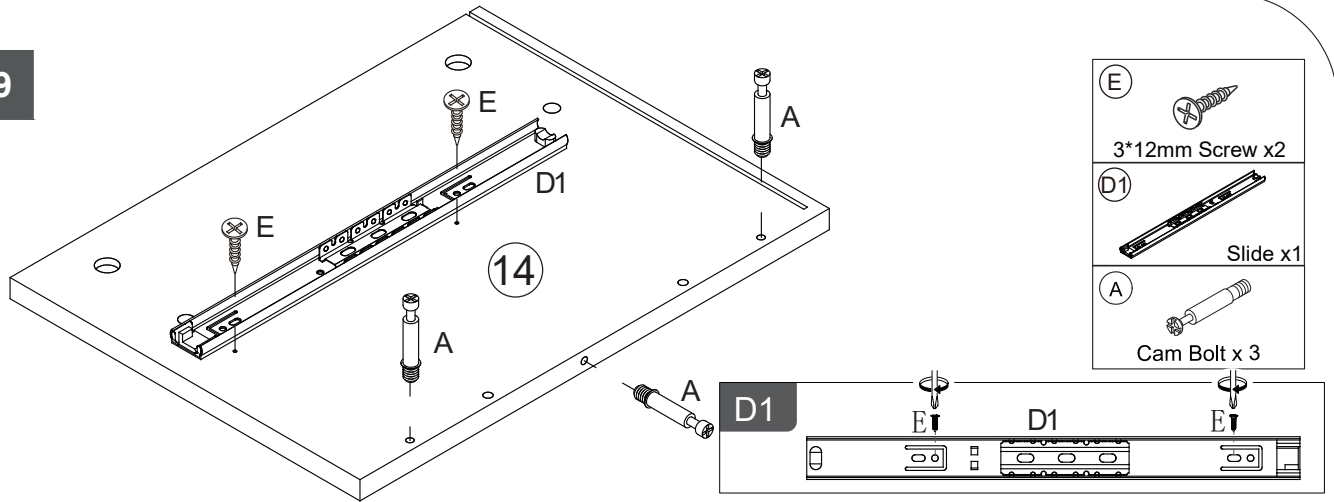


Step 18

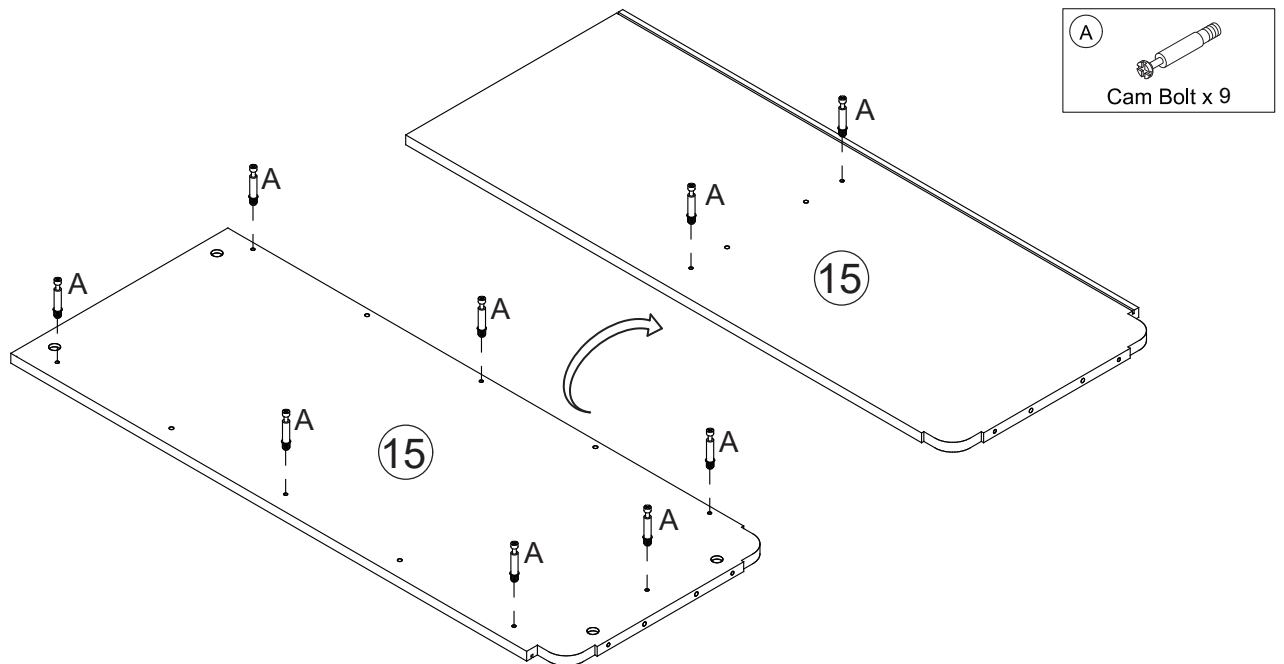


Assembly Instructions

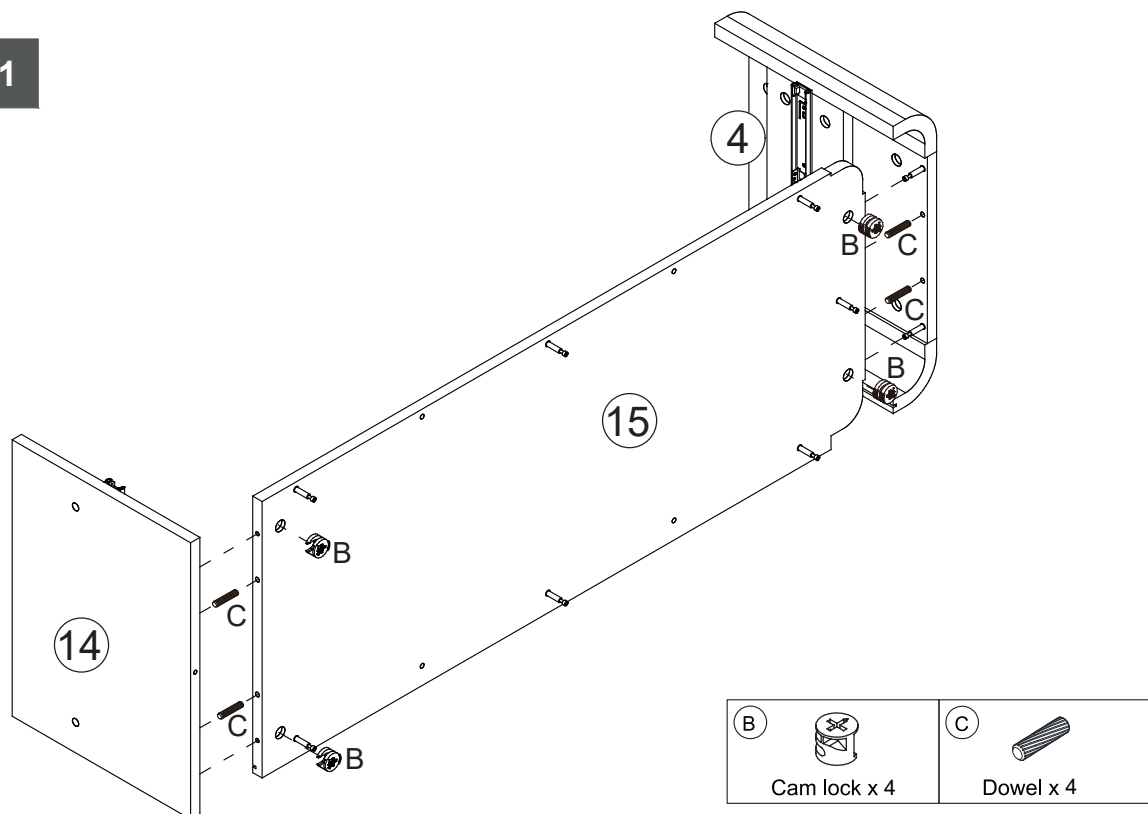
Step 19



Step 20

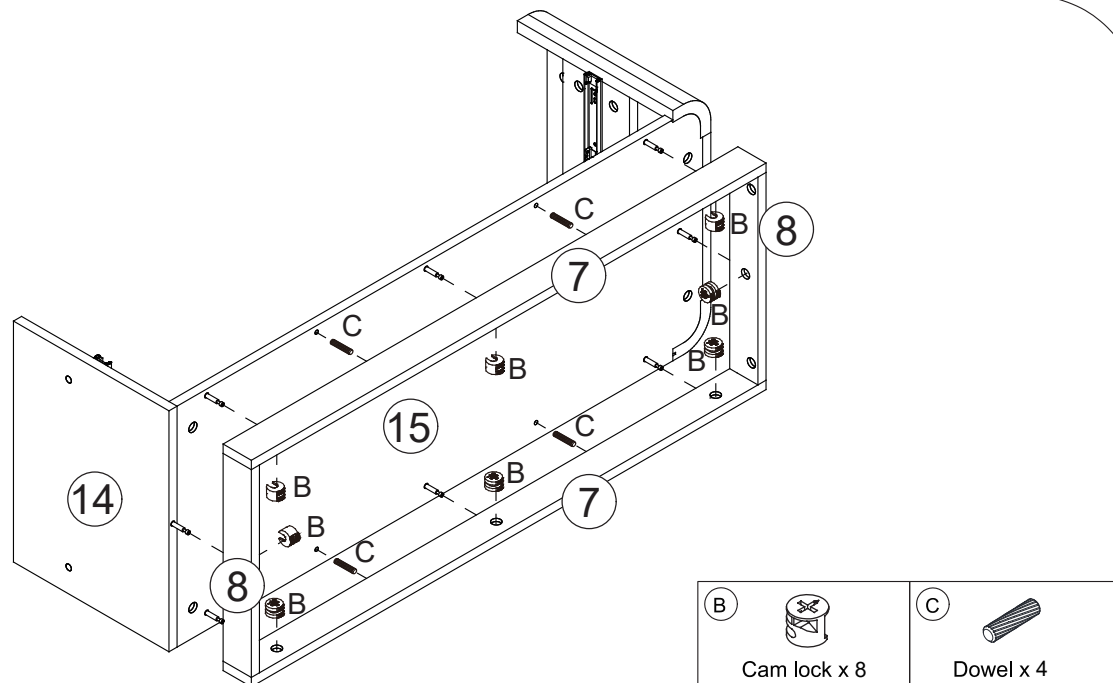


Step 21

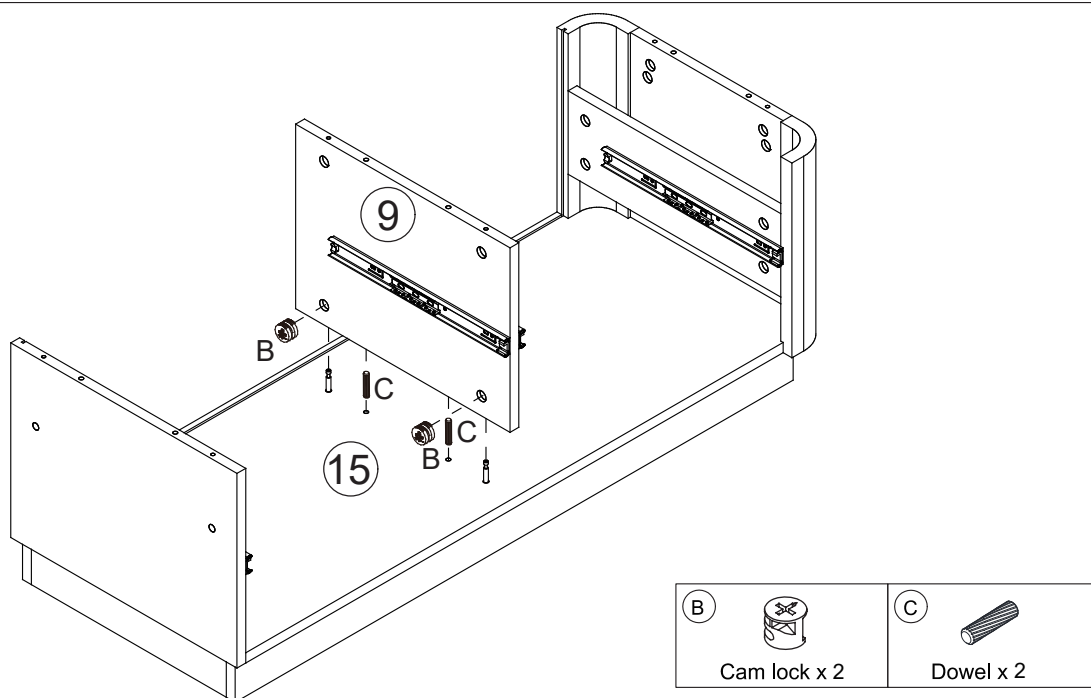


Assembly Instructions

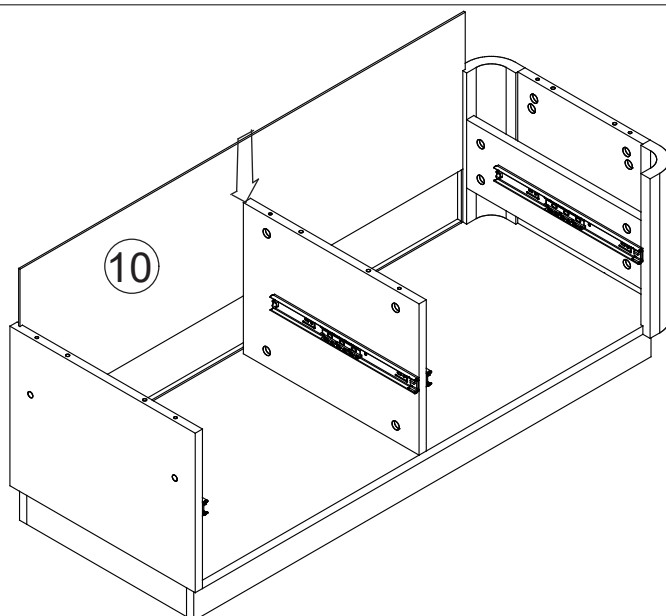
Step 22



Step 23

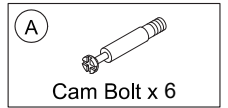
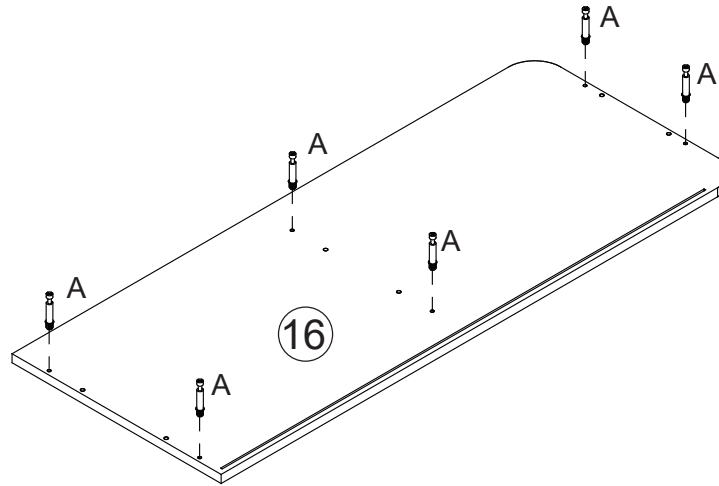


Step 24

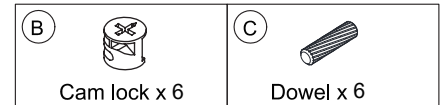
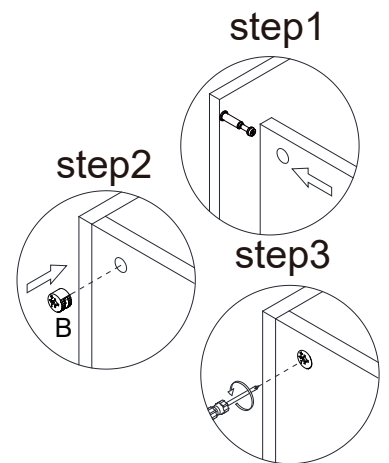
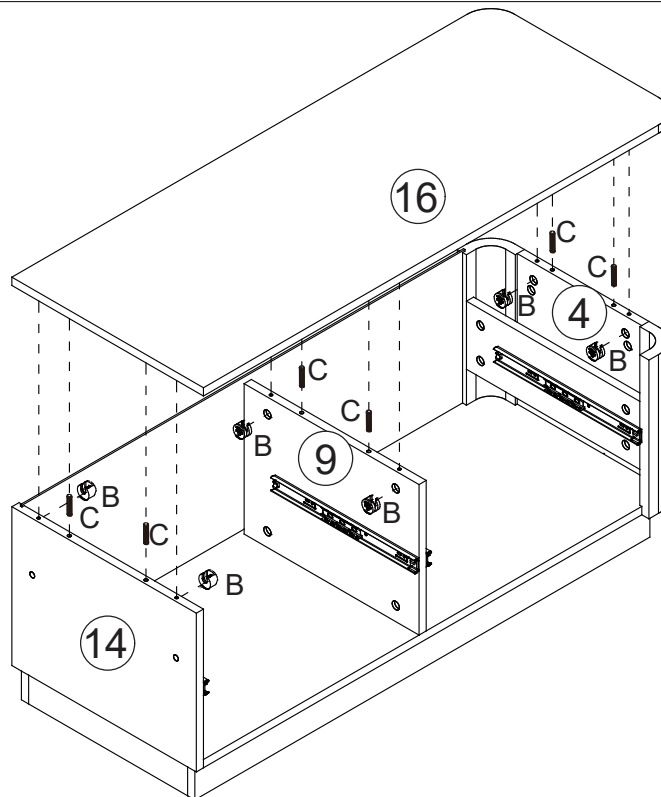


Assembly Instructions

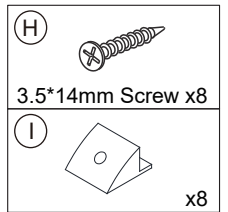
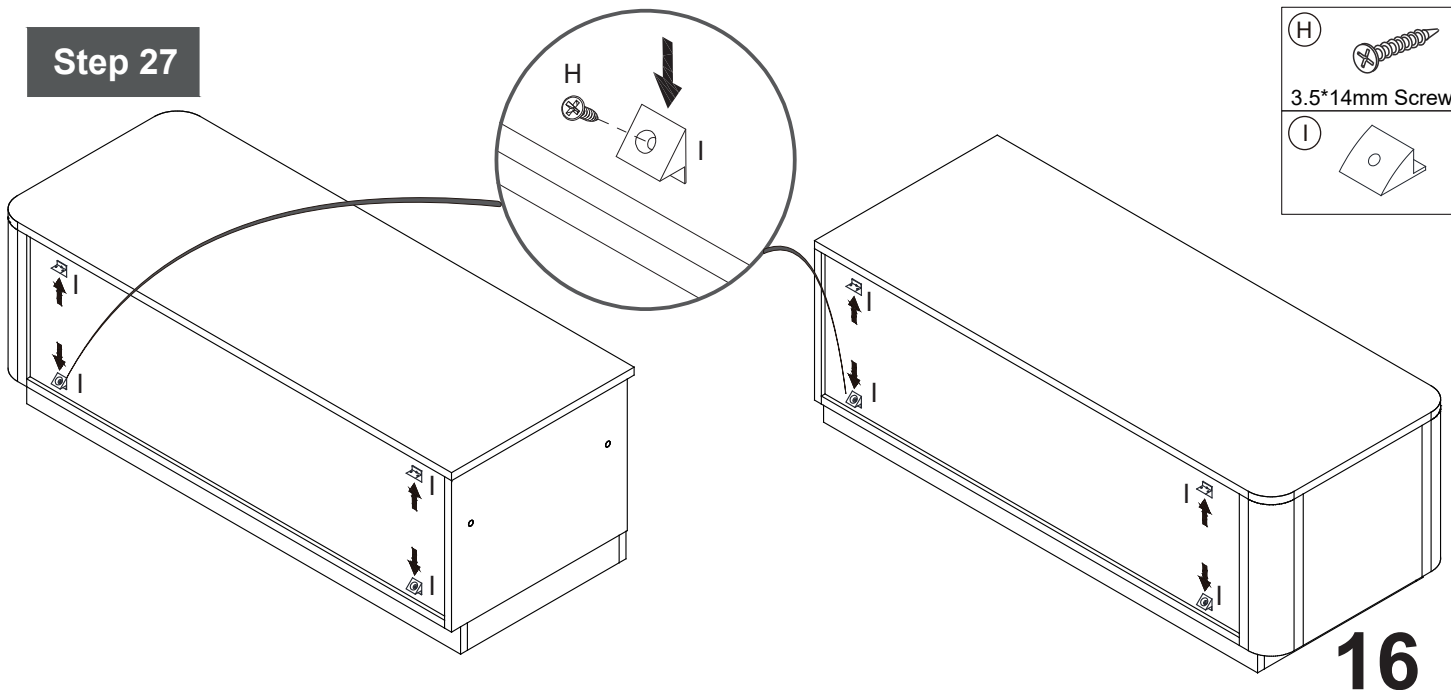
Step 25



Step 26

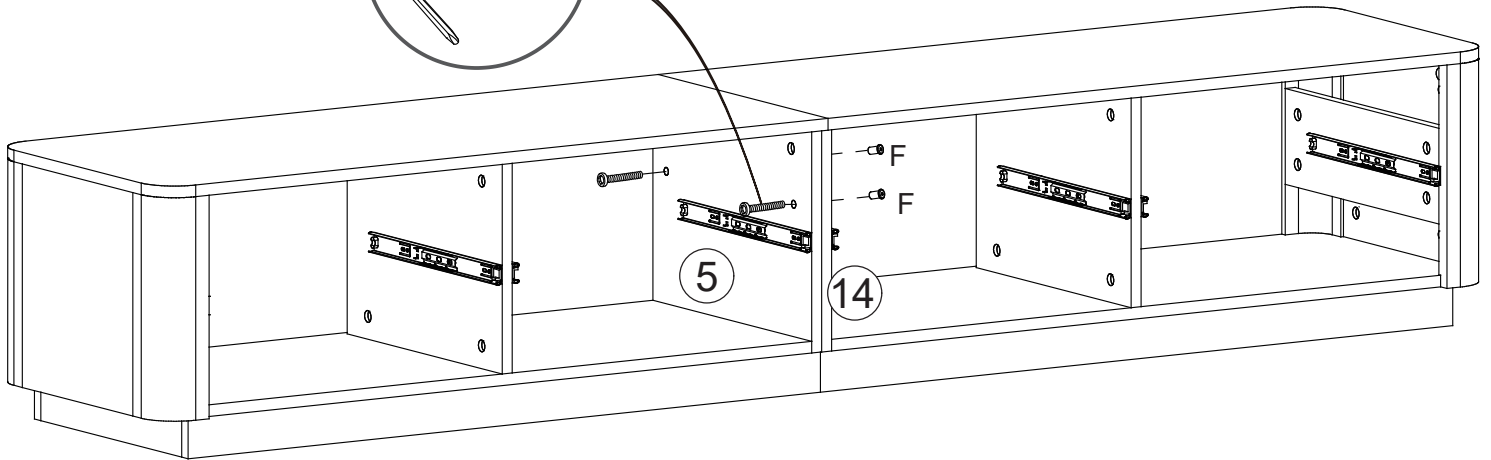
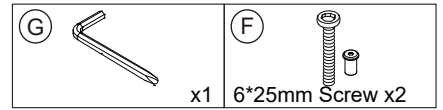
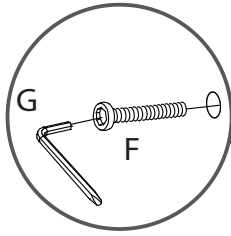


Step 27



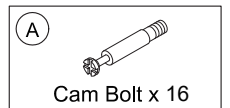
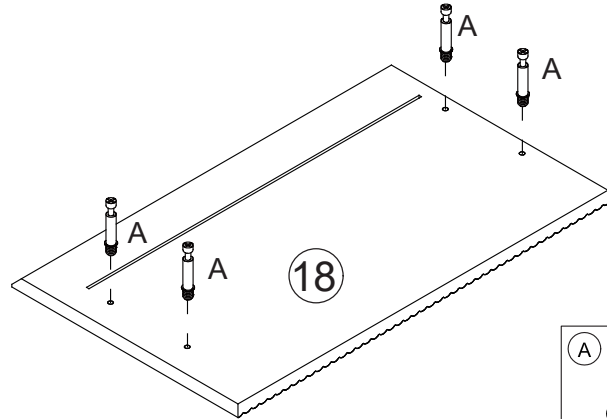
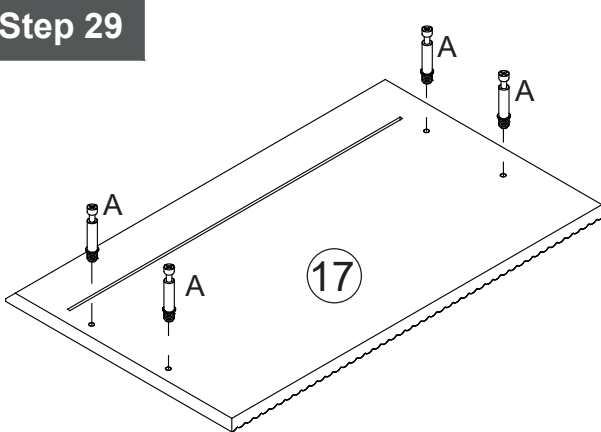
Assembly Instructions

Step 28



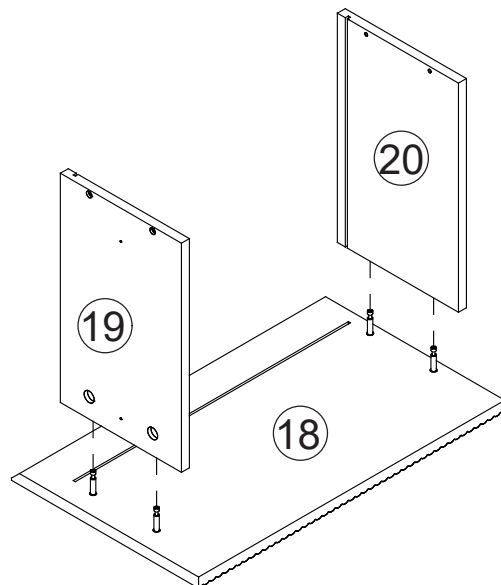
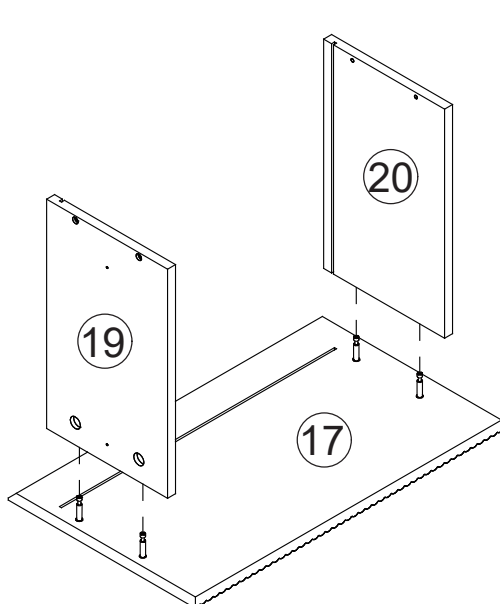
Step 29

x2



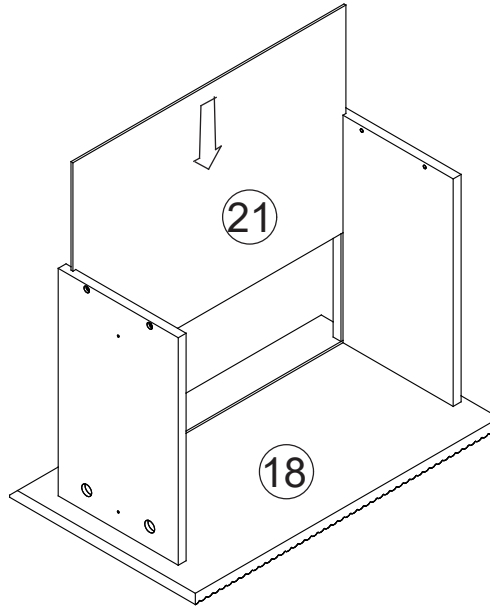
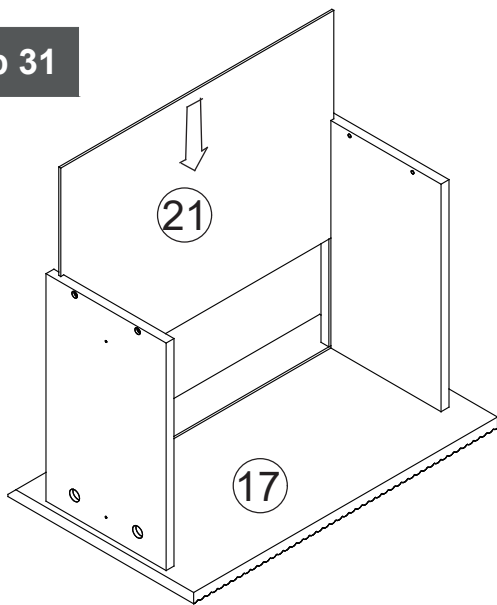
Step 30

x2



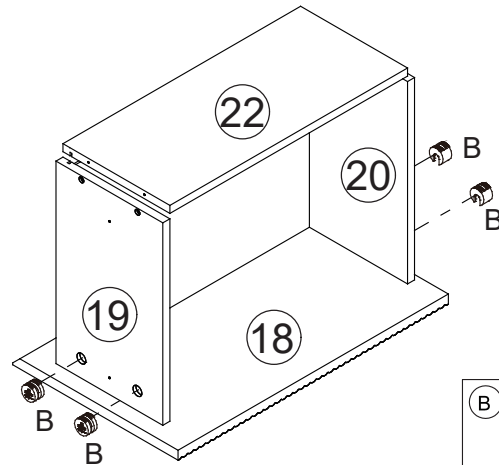
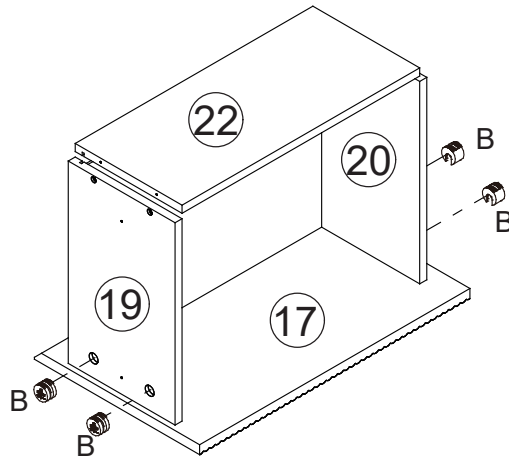
Assembly Instructions

Step 31



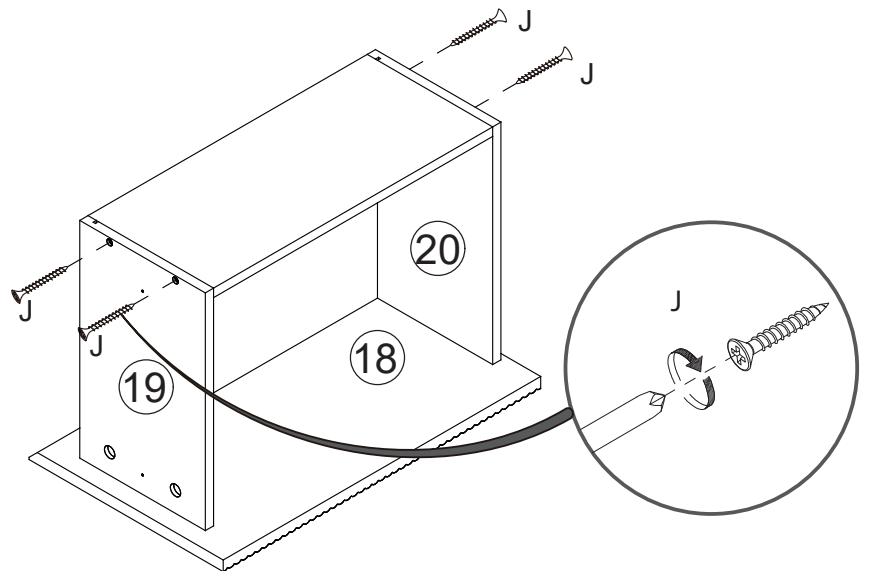
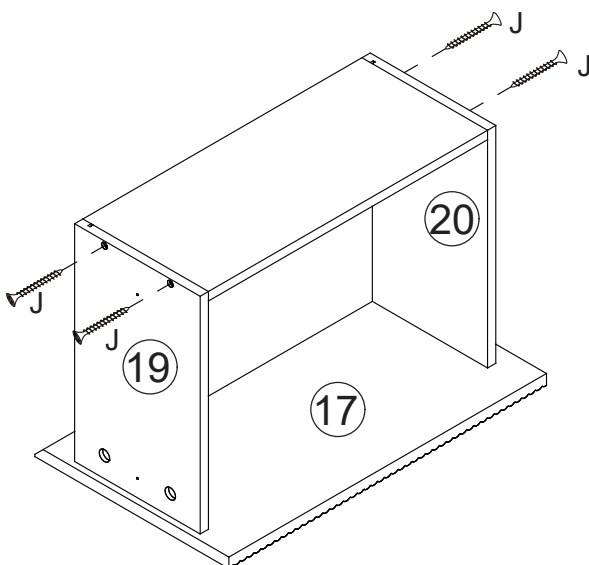
x2

Step 32

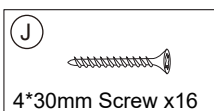


x2

Step 33



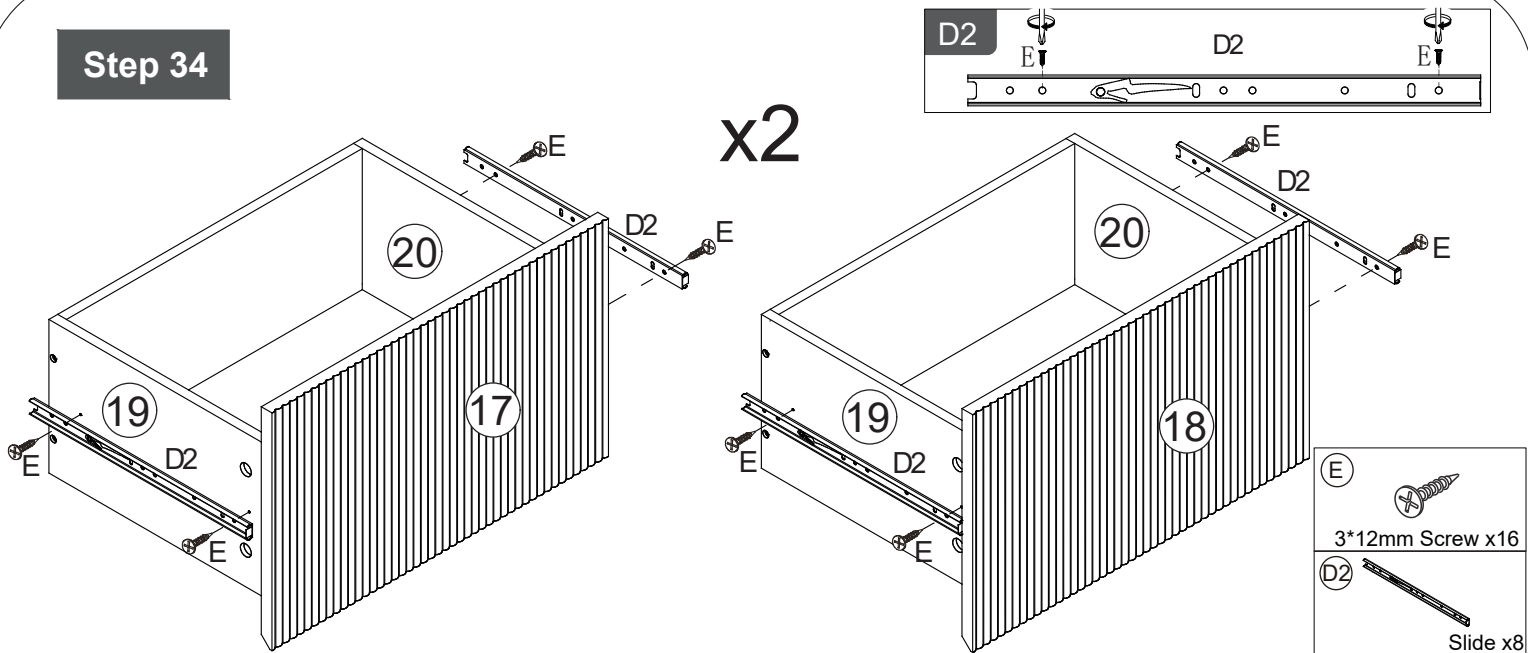
x2



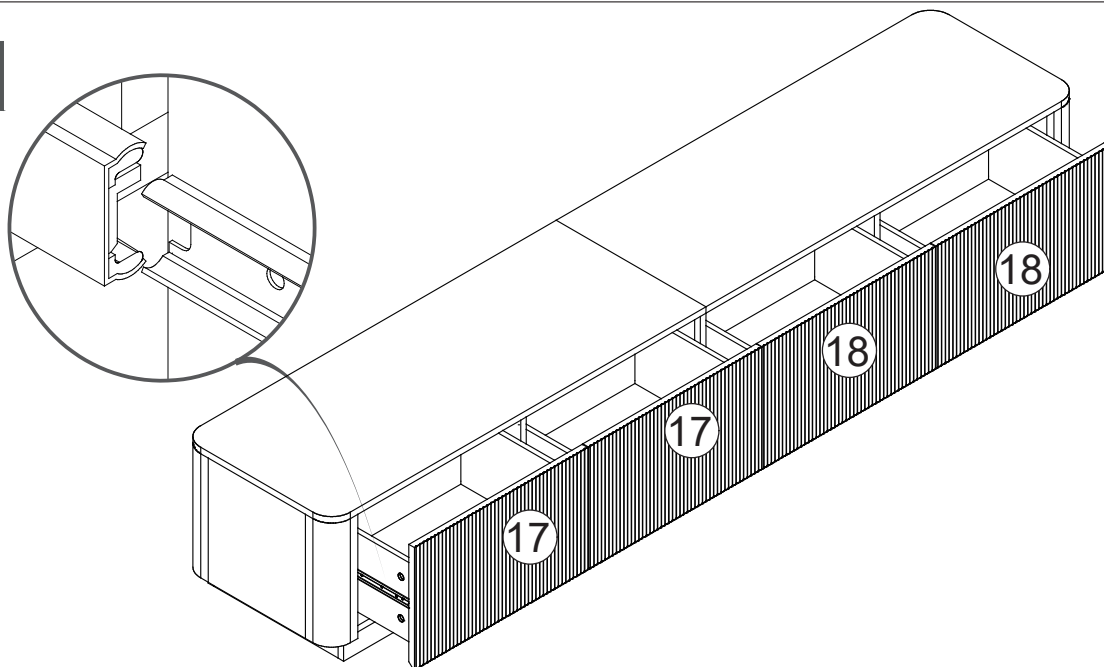
18

Assembly Instructions

Step 34



Step 35



Step 36

