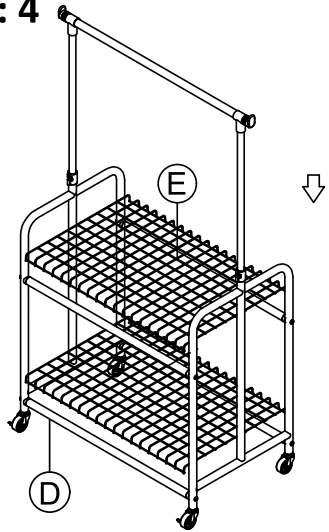
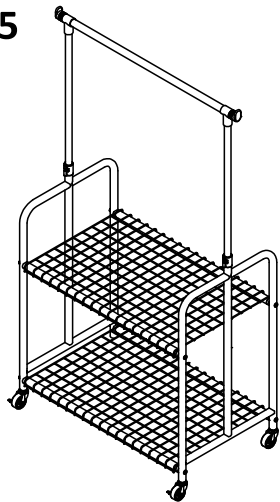


STEP: 4



Simply attach the wire **GRID WIRE SHELVES (E)**, by placing them on top of the **SHELF POLES (D)** lightly press down until the shelf snaps in place. Note that the curved side of the shelf faces downward as depicted in the left image.

STEP: 5



Congratulations!
Enjoy your now complete garment rack.

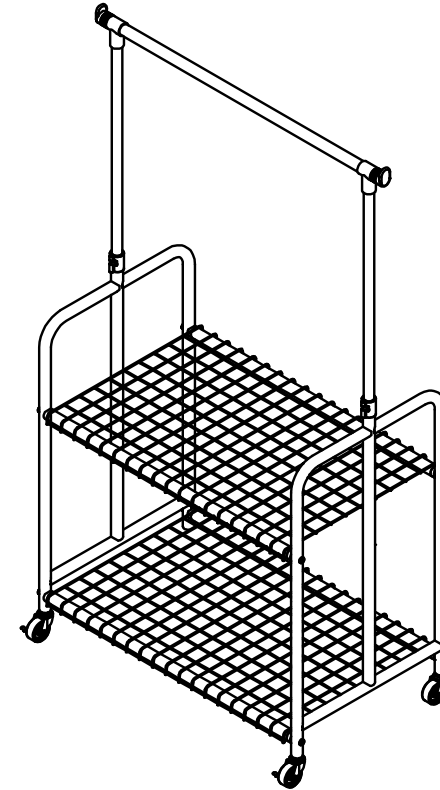
WEIGHT CAPACITY OF HANGING ROD: 44 lbs
WEIGHT CAPACITY PER SHELF: 50 lbs



DO NOT stand on or climb on the rack.
Move the rack carefully while loaded.
Always check that the wheels are screwed tight.
Immediately replace wheels that are worn or damaged.

seville classics®
HOME

GARMENT RACK



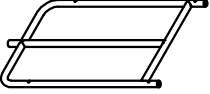



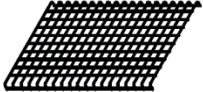





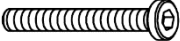


Model #: SHE16209B

Thank you for choosing Seville Classics! We hope that you enjoy your new garment rack. Please read through this user guide for parts list, instructions, and contact information.

www.sevilleclassics.com

Parts List

Important: Retain for future reference, read carefully.
Please make sure you have all the parts before assembly.

<p>A Side Frames</p>  <p>X 2</p>	<p>B Hanging Rod</p>  <p>X 1</p>	<p>C Side Poles</p>  <p>X 2</p>	<p>D Shelf Poles</p>  <p>X 4</p>
<p>E Grid Wire Shelves</p>  <p>X 2</p>	<p>F Wheels</p>  <p>X 2</p>	<p>G Locking Wheels</p>  <p>X 2</p>	<p>H Wrench</p>  <p>X 1</p>
<p>I Top Pole Caps</p>  <p>X 2</p>	<p>J Side Pole Locks</p>  <p>X 2</p>	<p>K Screws</p>  <p>X 8</p>	<p>L Spacers</p>  <p>X 8</p>
<p>M Hex Key</p>  <p>X 1</p>			



Get help with assembly and report damaged or missing parts.

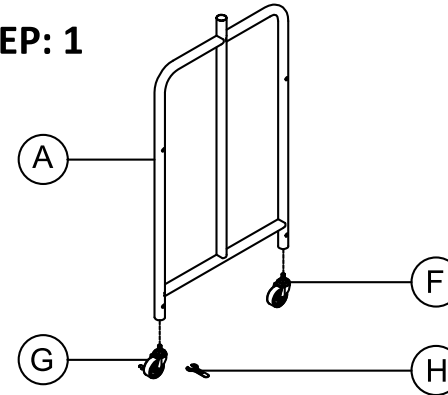
Email: Support@SevilleClassics.com

Telephone: 1 (800) 323-5565

Hours: 8:30 AM - 4:30 PM (PST)

ASSEMBLY INSTRUCTIONS

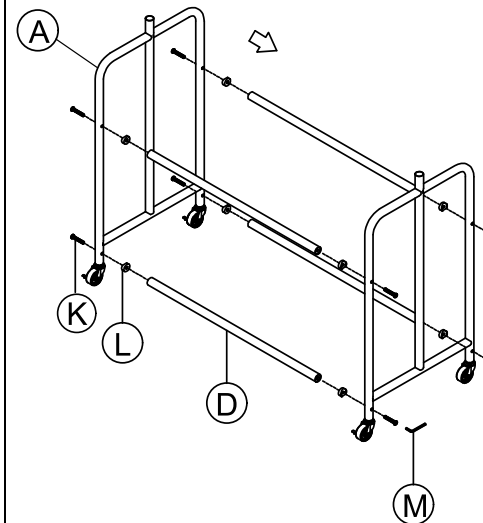
STEP: 1



Screw **WHEELS (F)** and **LOCKING WHEELS (G)** into base of **SIDE FRAMES (A)** with **WRENCH (H)** as depicted in the left image.

STEP: 2

Attach the **SHELF POLES (D)** to the **SIDE FRAMES (A)** by inserting **SCREWS (K)** through the holes of the **SIDE FRAMES (A)** and **SPACERS (L)** then tighten with the use of **HEX KEY (M)**.



STEP: 3

Take the **SIDE POLES (C)** and attach to the top sides of the **SIDE FRAMES (A)** and secure them in place using the **SIDE POLE LOCKS (J)**. Now take the **HANGING ROD (B)** and secure it using the **TOP POLE CAPS (I)**.

