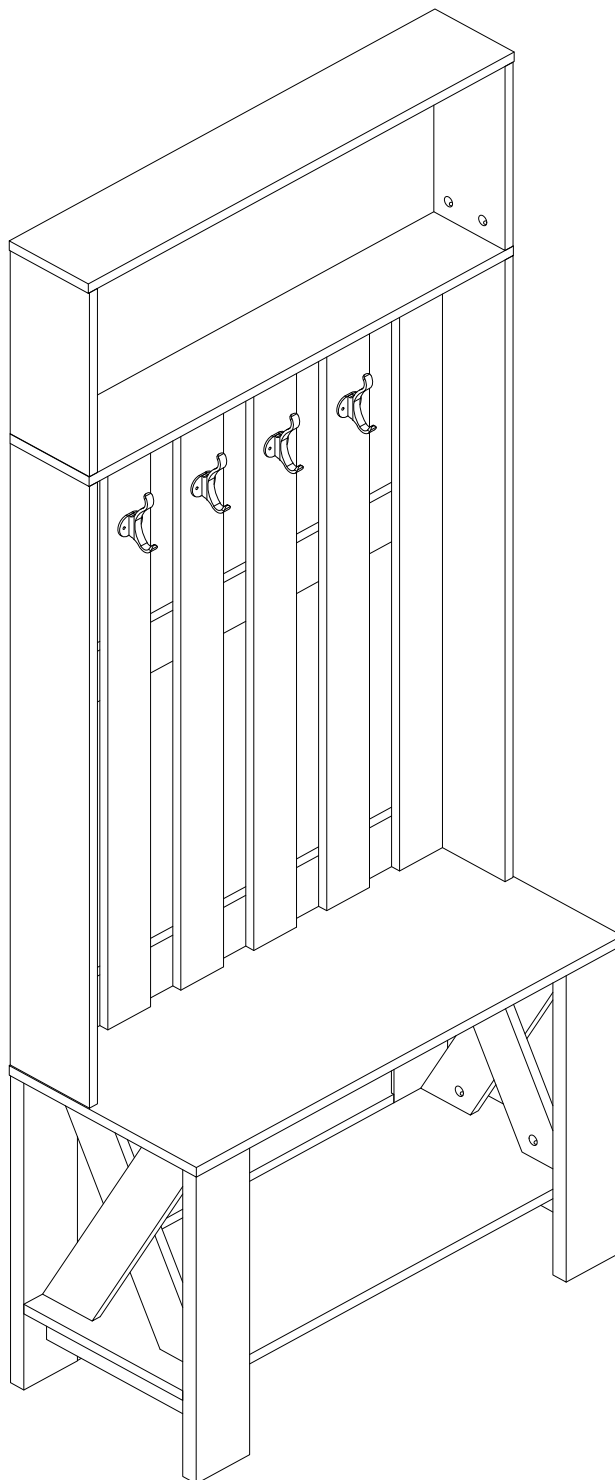


Assembly Instructions



Coat Rack

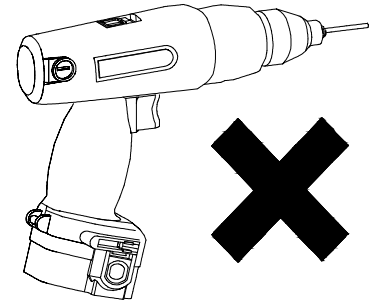
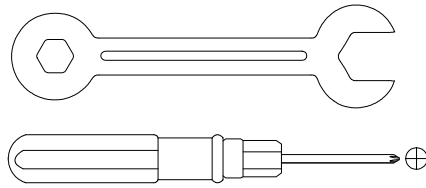
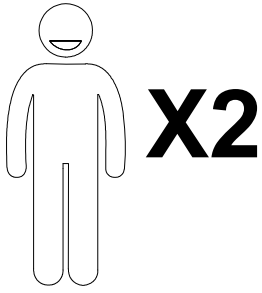
Contact Us

We're here to help you.

Your satisfaction is our top priority. If you encounter any issues with this product, such as missing or damaged parts, we're here to help. Please retain the original packaging and take photos of the packaging and the product, then contact us as soon as possible.

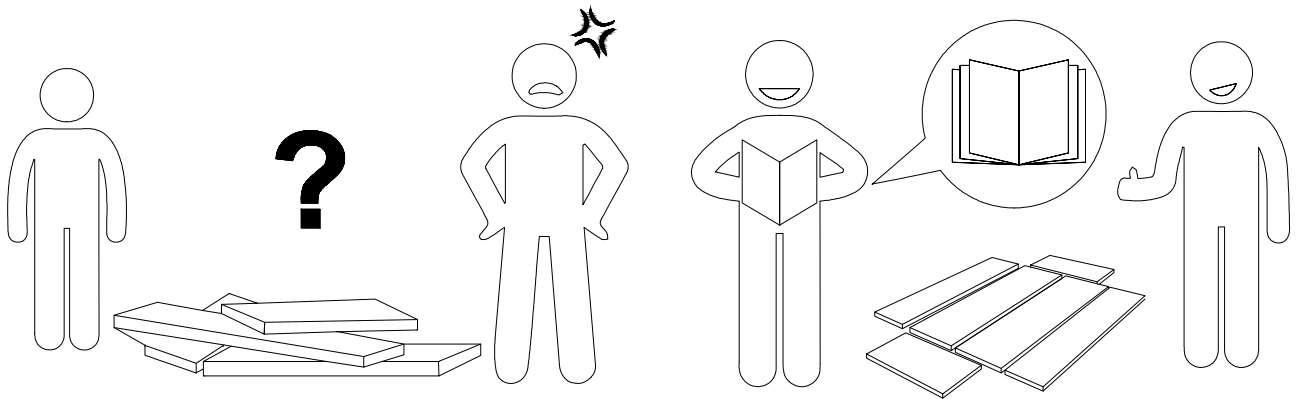
Warm Tips

1. Carefully read these instructions and keep them for future reference.
2. Check the parts list and confirm everything's there before starting assembly.
3. When assembling, put all parts on a soft, smooth surface like a carpet to avoid scratches.
4. Don't fully tighten screws until all parts are confirmed in place to avoid misalignment.



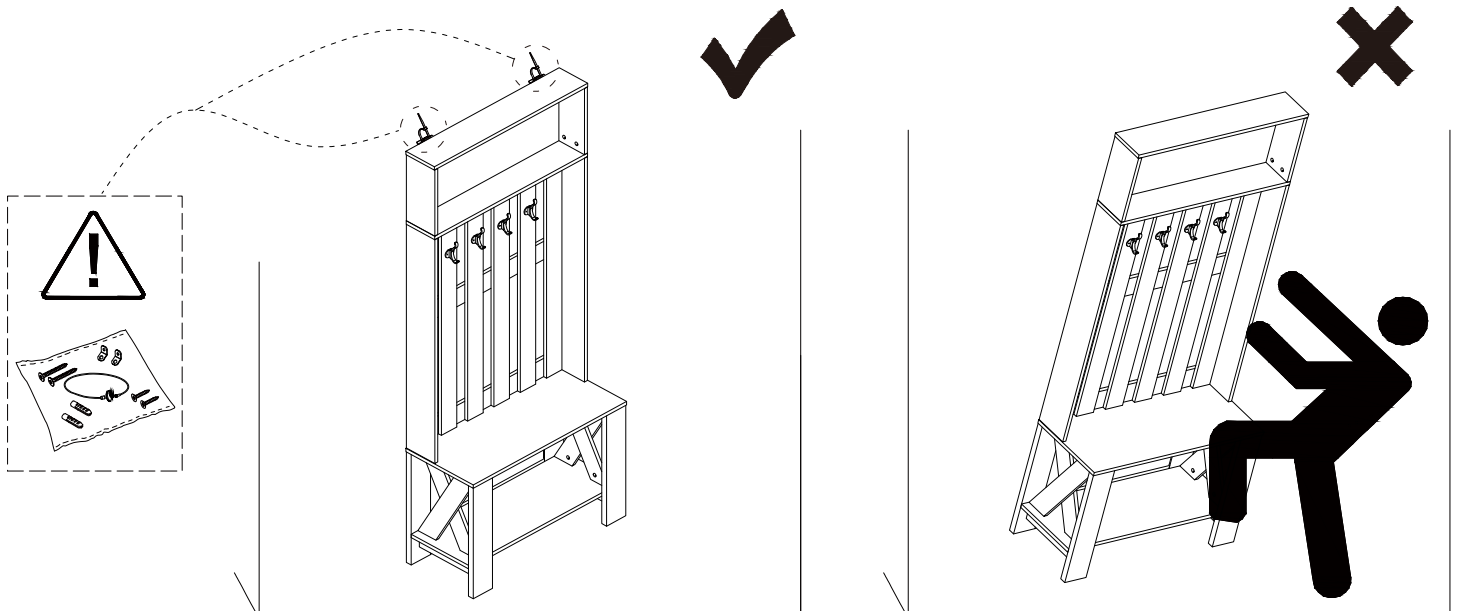
We recommend using hand tools for assembly.

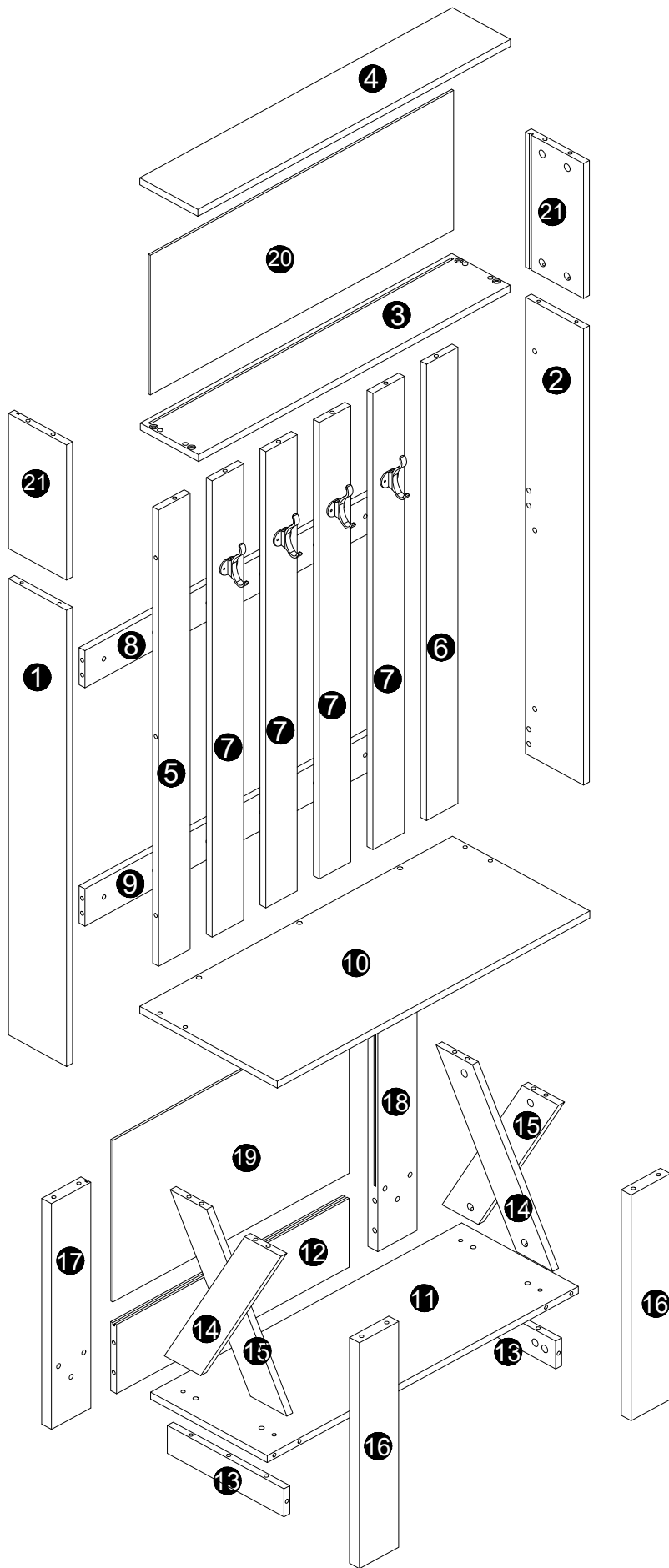
If an electric screwdriver is used, reduce power and torque to avoid damage to the product.



Install the Anti-Tip Straps

Using the anti-tip straps can reduce the risk of tipping over, but can not eliminate it.

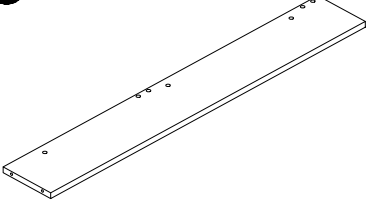
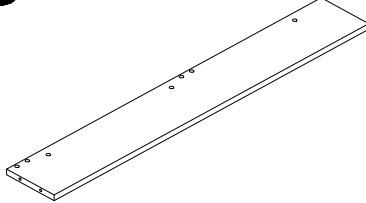
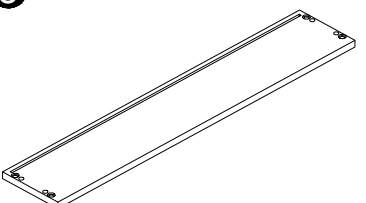
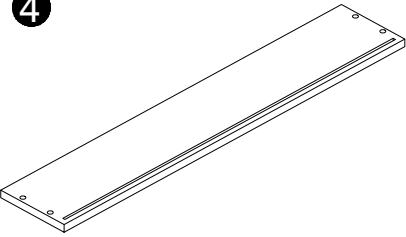
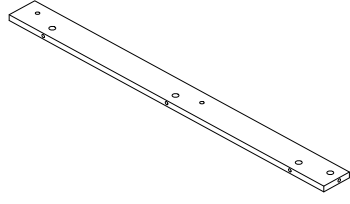
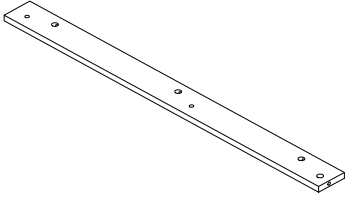
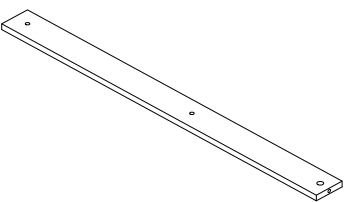
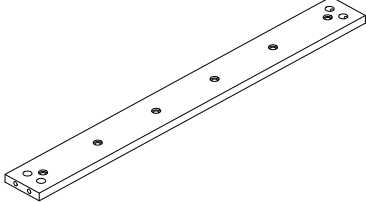
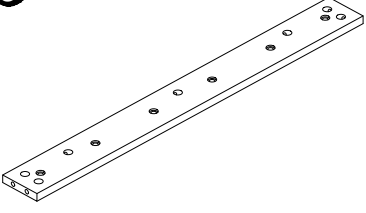
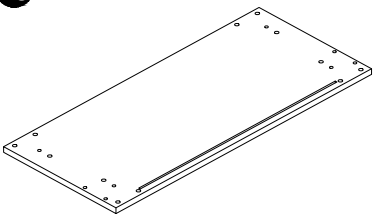
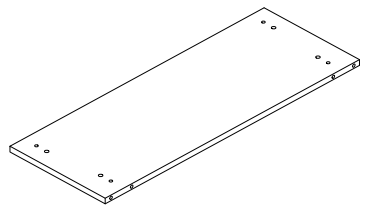
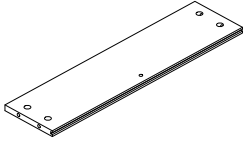
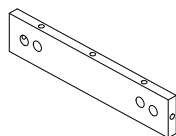
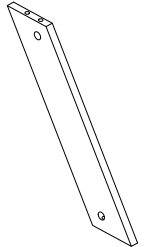
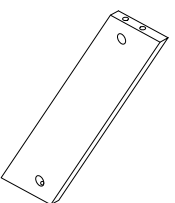
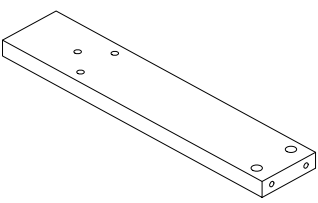
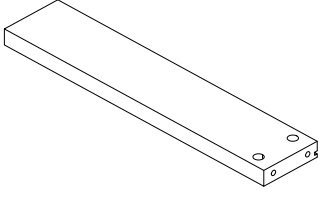
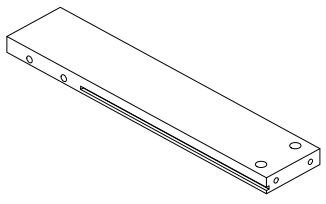




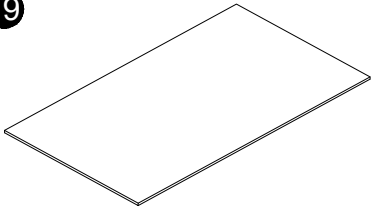
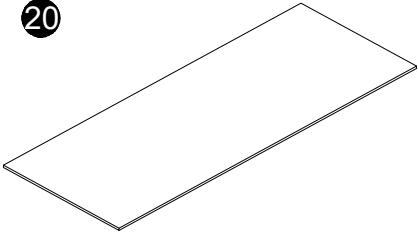
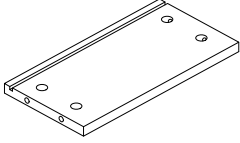
⚠ Caution

Make sure all parts are included. Most board parts are labeled or stamped on the raw edge. Contact us for a free replacement if you encounter any damaged or missing parts.

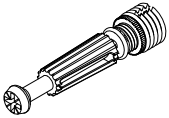
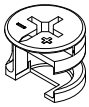



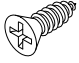
Parts List

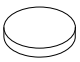
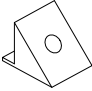
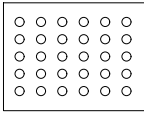


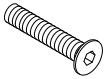
1  1pc	2  1pc	3  1pc
4  1pc	5  1pc	6  1pc
7  4 pcs	8  1pc	9  1pc
10  1pc	11  1pc	12  1pc
13  2 pcs	14  2 pcs	15  2 pcs
16  2 pcs	17  1pc	18  1pc


Parts List

<p>19</p>  <p>1pc</p>	<p>20</p>  <p>1pc</p>	<p>21</p>  <p>2 pcs</p>
---	---	---

Hardware List

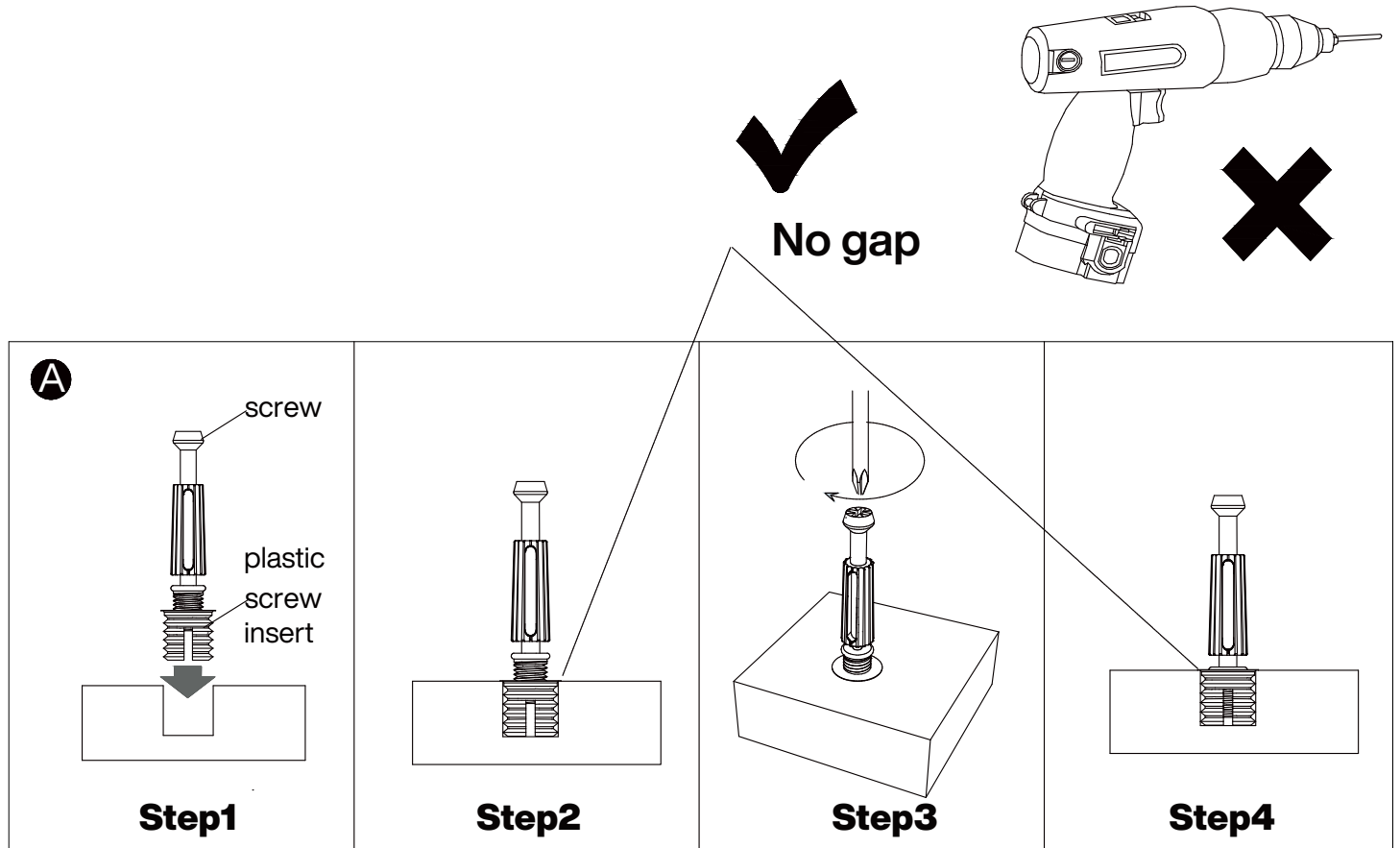
A	B	C	D	E	F
 <p>Ø6x40mm</p>	 <p>Ø15x12mm</p>	 <p>2 pcs</p>	 <p>Ø8x30mm</p>	 <p>Ø7x38mm</p>	 <p>Ø3.5x14mm</p>
67+1 pcs	67+1 pcs	2 pcs	10+1 pcs	9+1 pcs	20+2 pcs

G	H	I	J	K	L
 <p>Ø25x2mm</p>					 <p>Ø6x20mm</p>
4+1 pcs	12+1 pcs	50 pcs	1pc	4 pcs	12+1 pcs

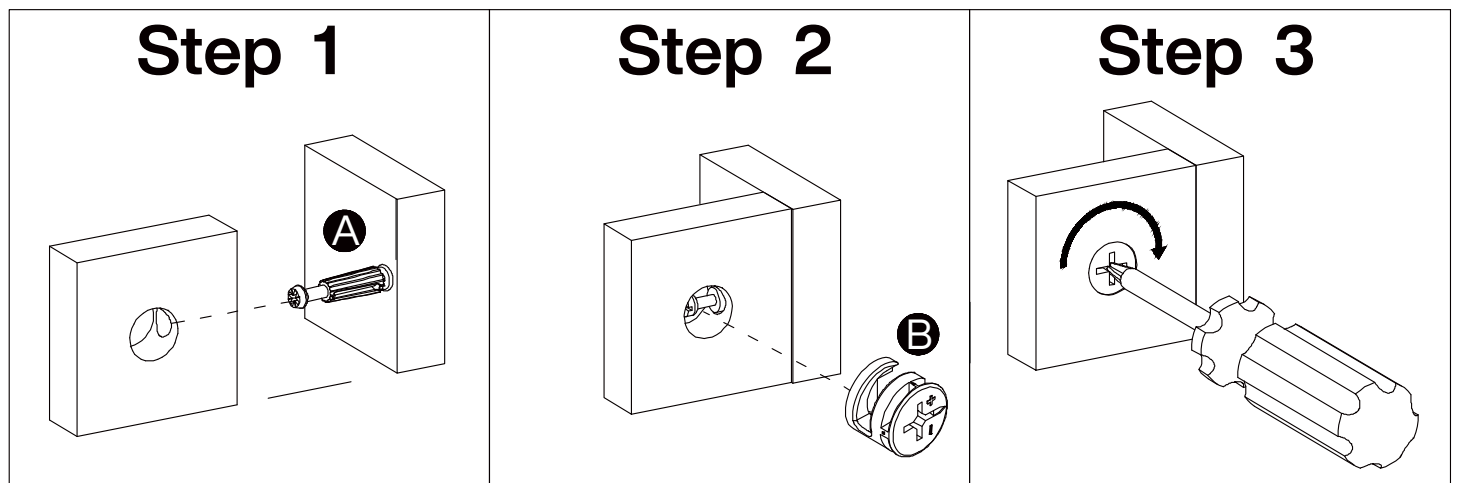
M
 <p>M3</p>
1pc

Installation of Cams and Pins

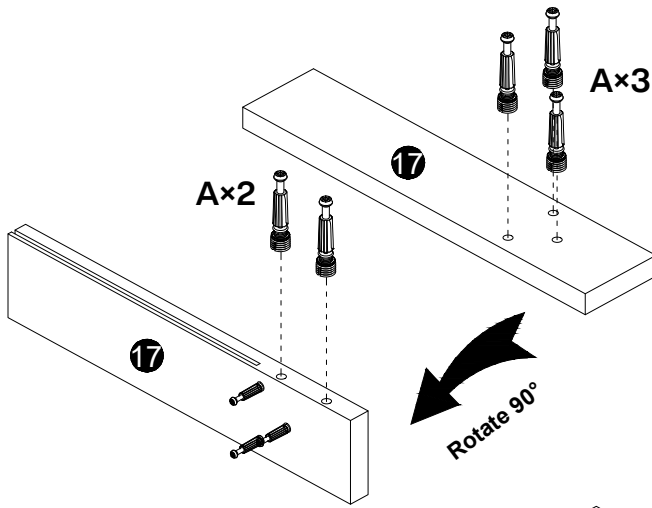
Step 1-2: Align the plastic part with the mounting hole and press it in. If you can't press it in, loosen the screw counter clockwise or completely remove the screw from the plastic part and try again.
Step 3-4: After pressing the plastic part into place, use a screwdriver to tighten the screw clockwise.



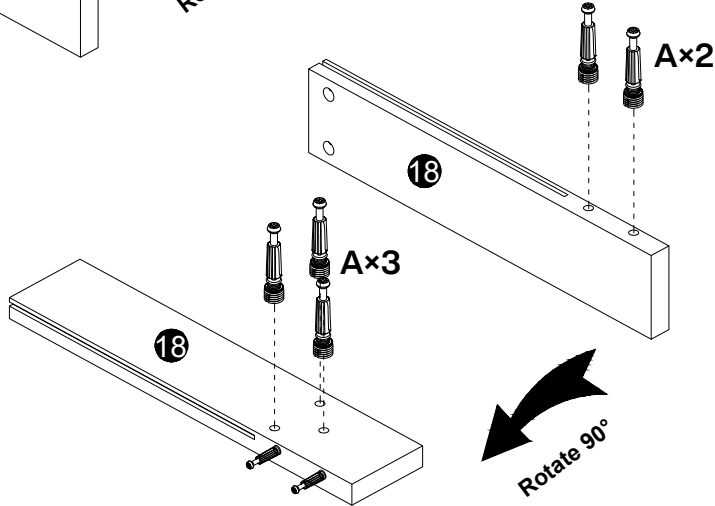
Screw the pin into the hole. Set the cams correctly by aligning the head of the cams with the lock pins. Lock the cam by turning the cam head with a screwdriver until it is tightened. Please do not use an electric screwdriver to assemble the unit.



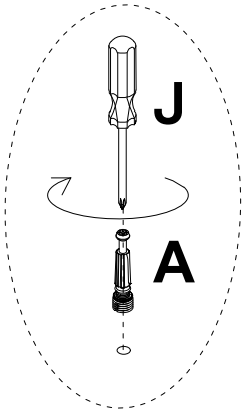
1

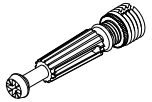



Rotate 90°

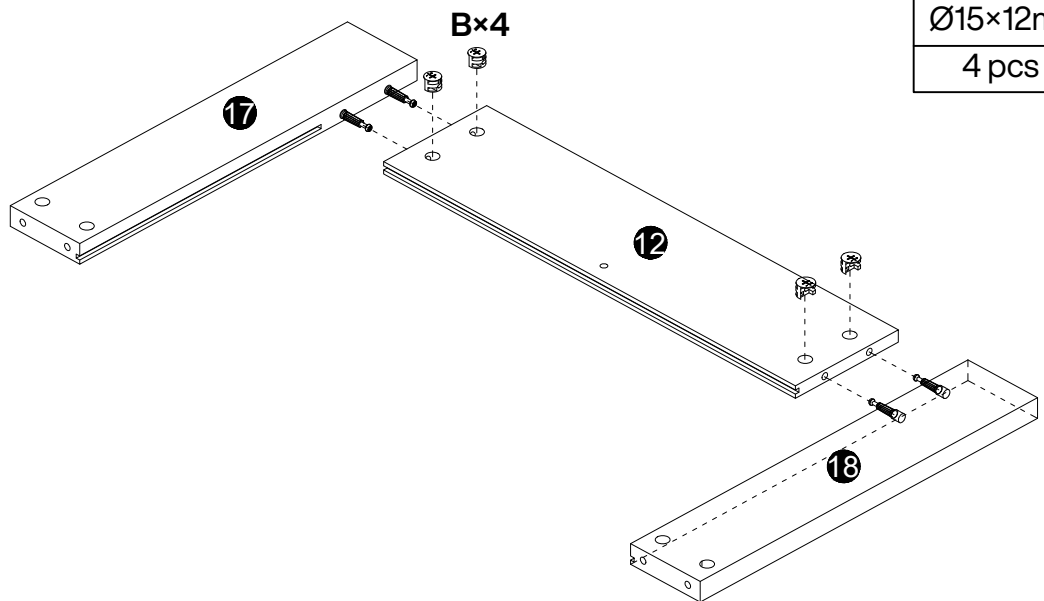


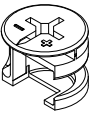
Rotate 90°



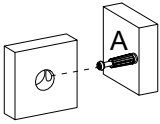
A

Ø6×40mm 10 pcs
Q

1 pc

2

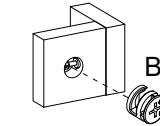


B

Ø15×12mm 4 pcs

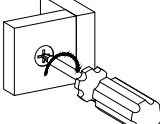
Step 1



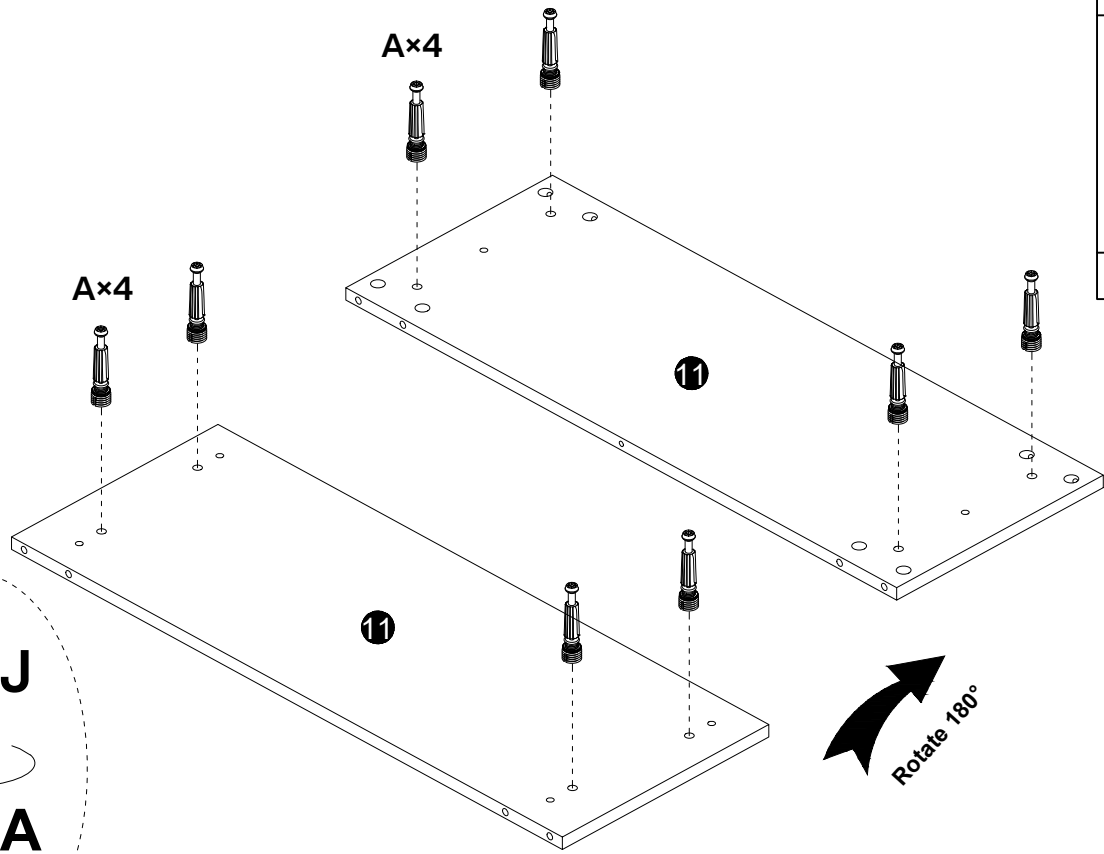
Step 2

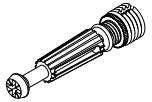


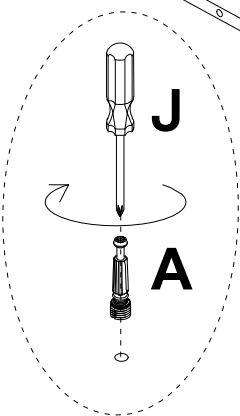
Step 3



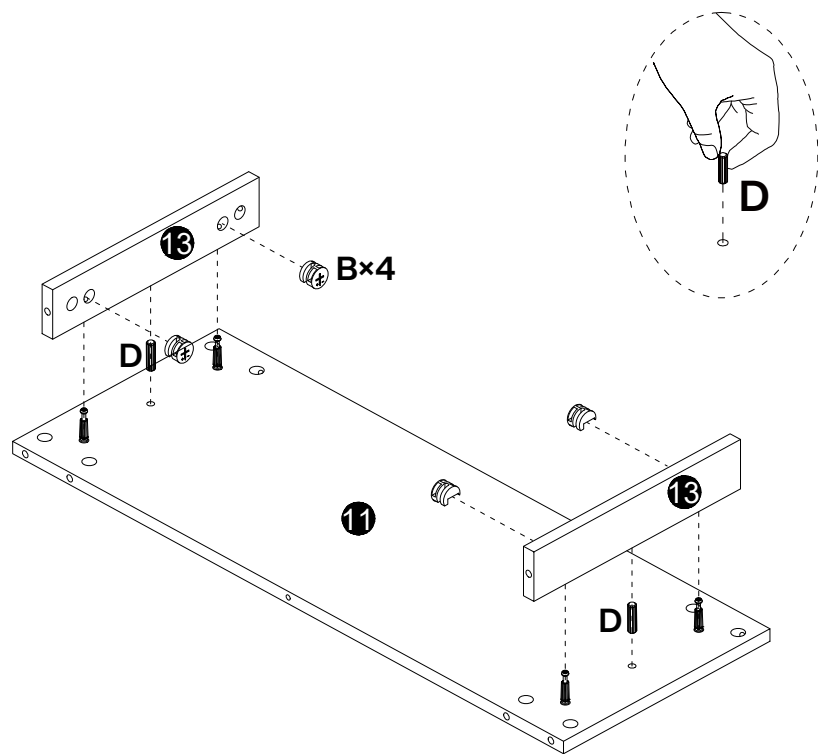
3

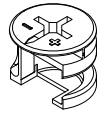
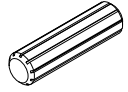


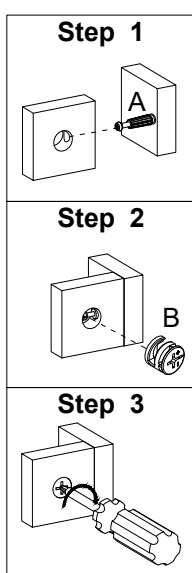
A

Ø6×40mm
8 pcs



4



B

Ø15×12mm
4 pcs
D

Ø8×30mm
2 pcs

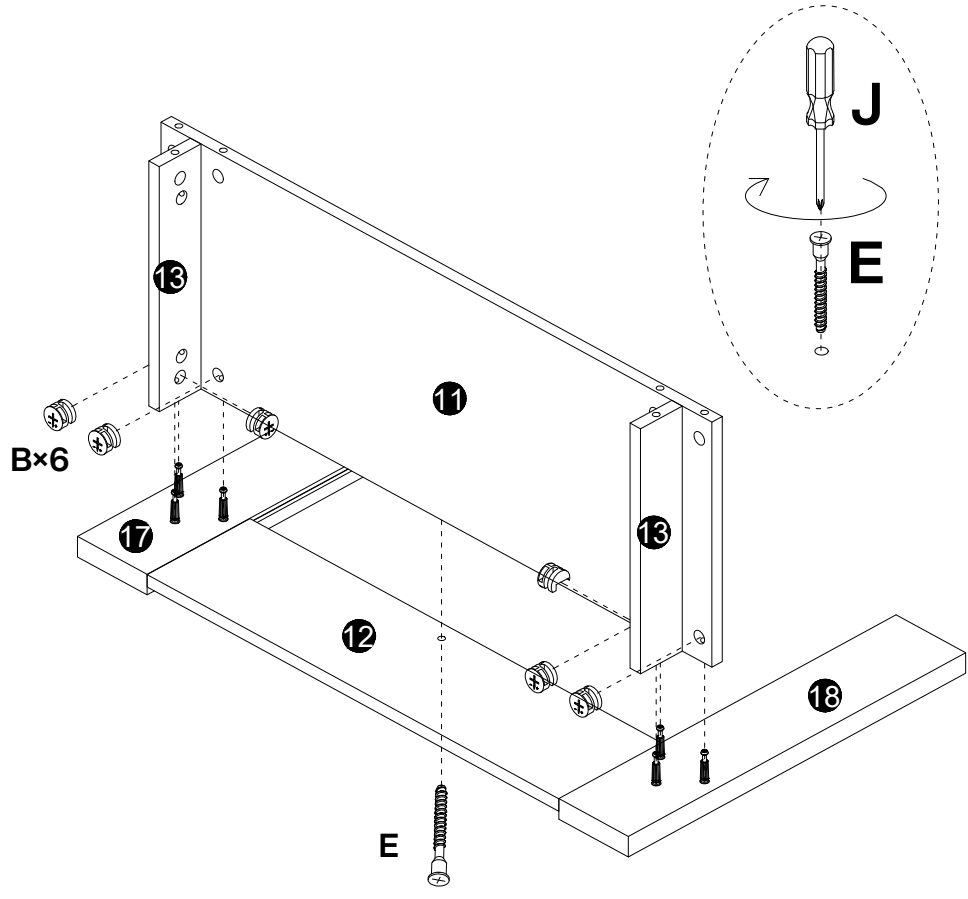


5

Step 1

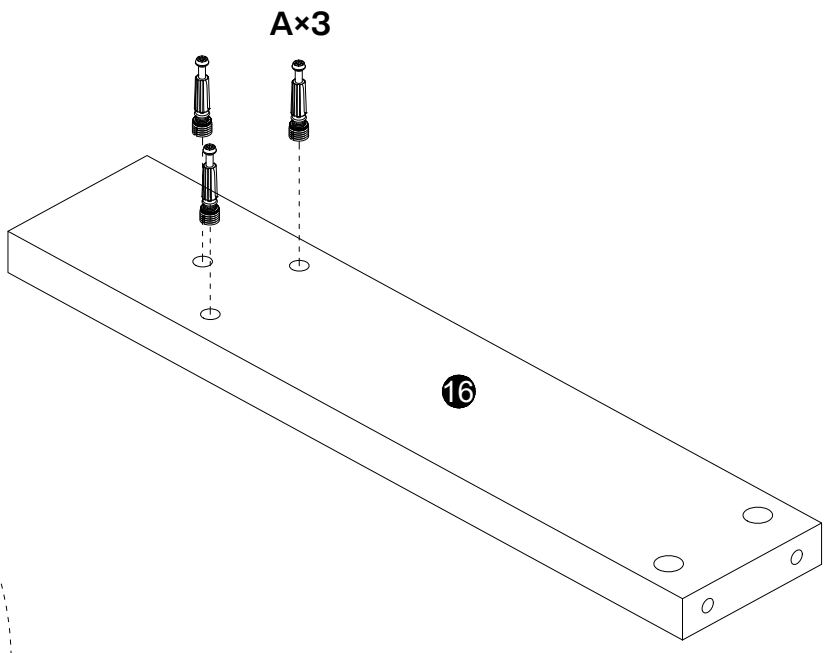
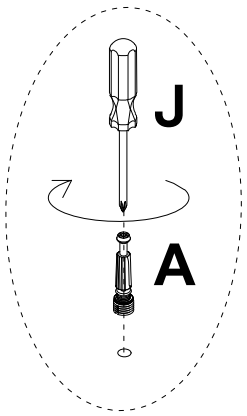
Step 2

Step 3



B
Ø15x12mm
6 pcs
E
Ø7x38mm
1 pc

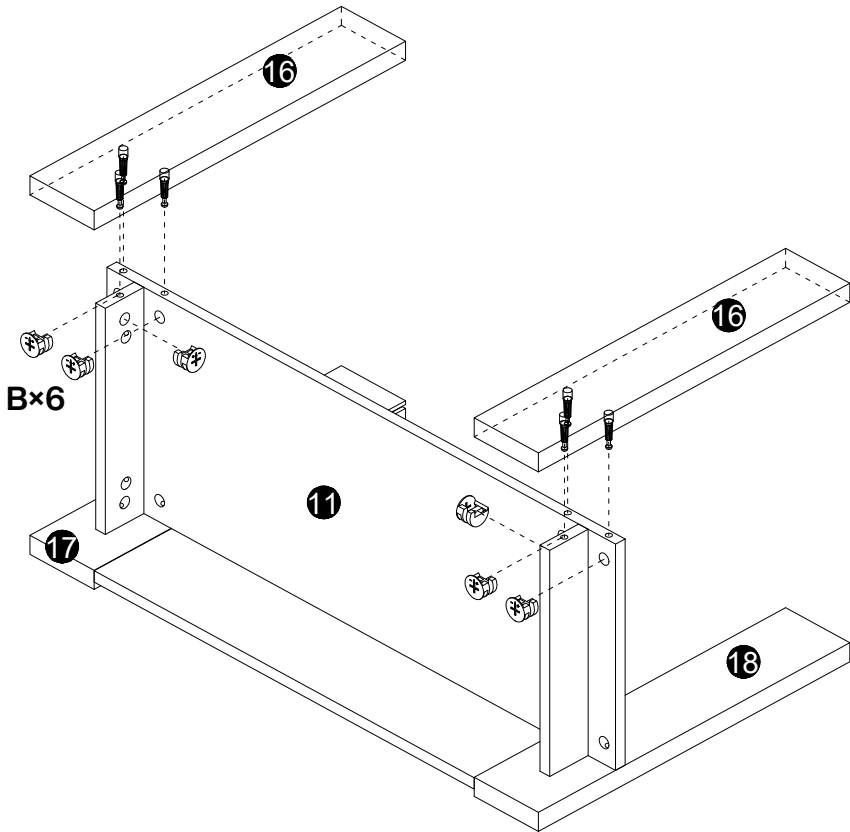
6



A
Ø6x40mm
6 pcs

x2

7



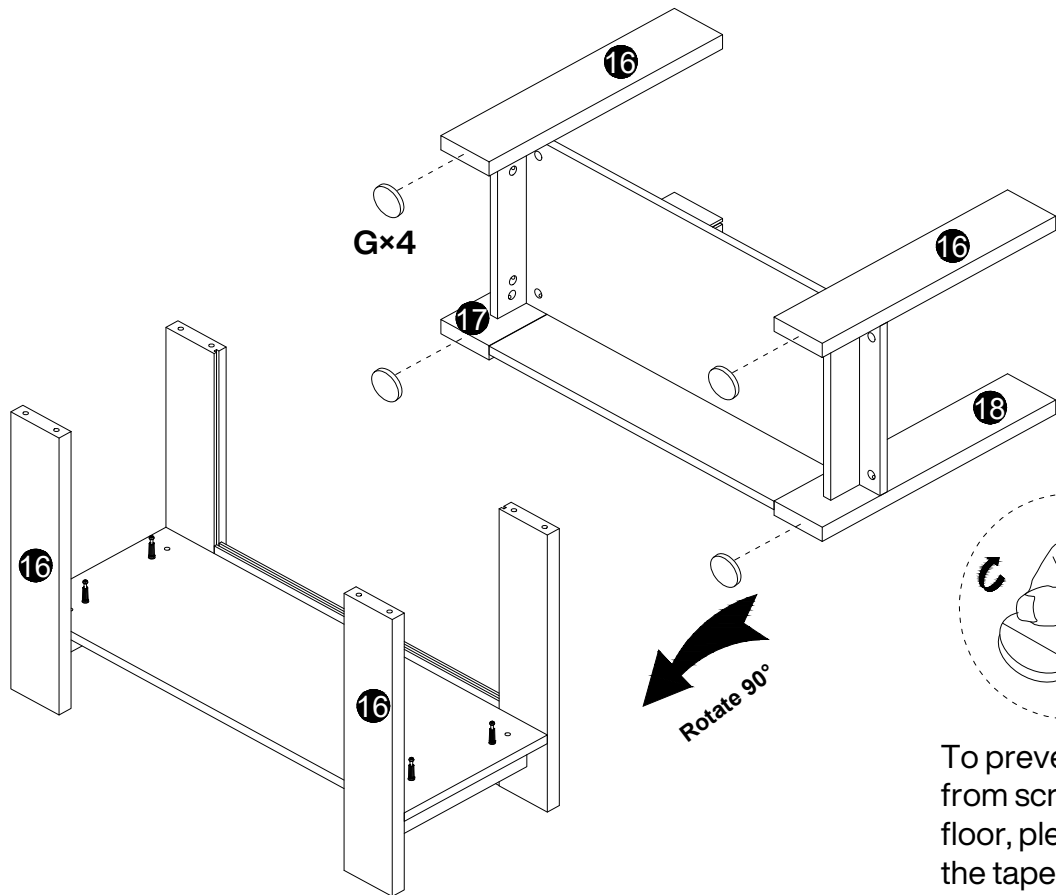
B
Ø15×12mm
6 pcs

Step 1

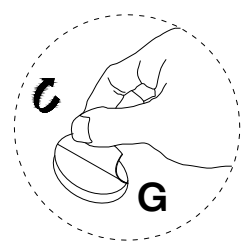
Step 2

Step 3

8

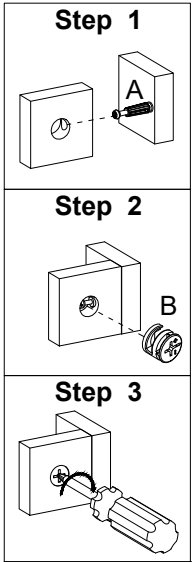
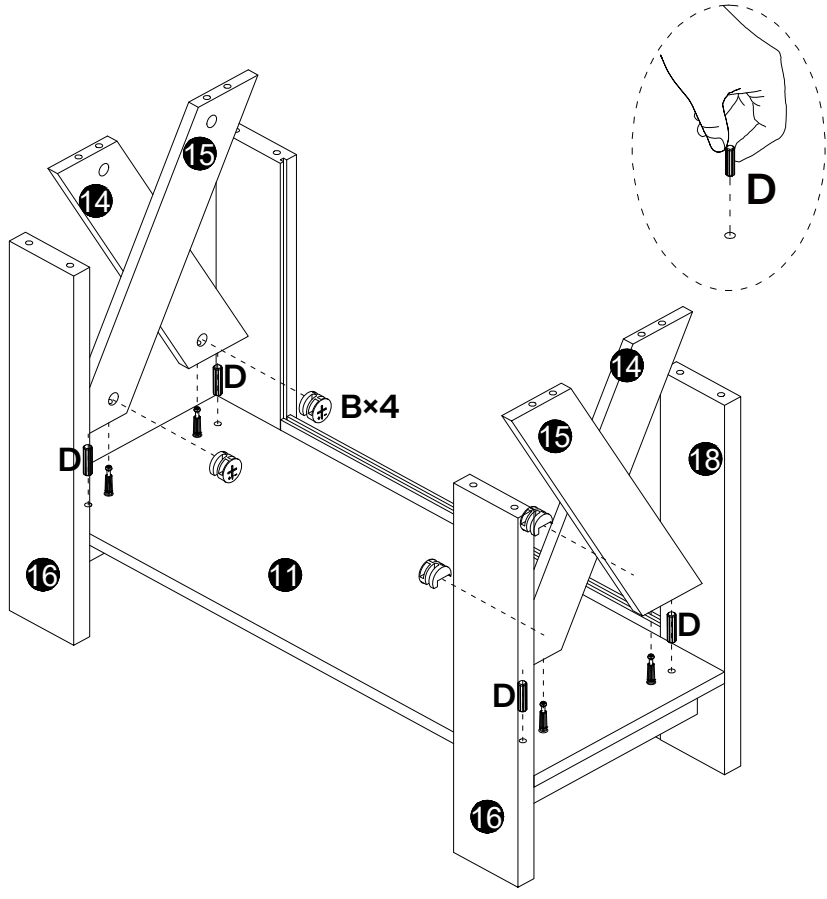


G
Ø25×2mm
4 pcs

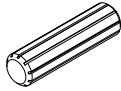


To prevent the Coat Rack from scratching the floor, please peel off the tape on the #G and tape them to the corners of the Coat Rack before use.

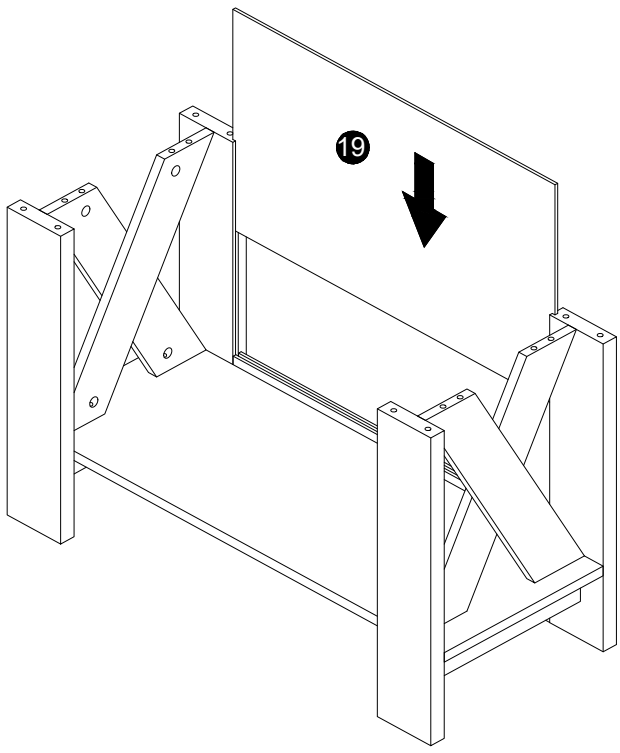
9



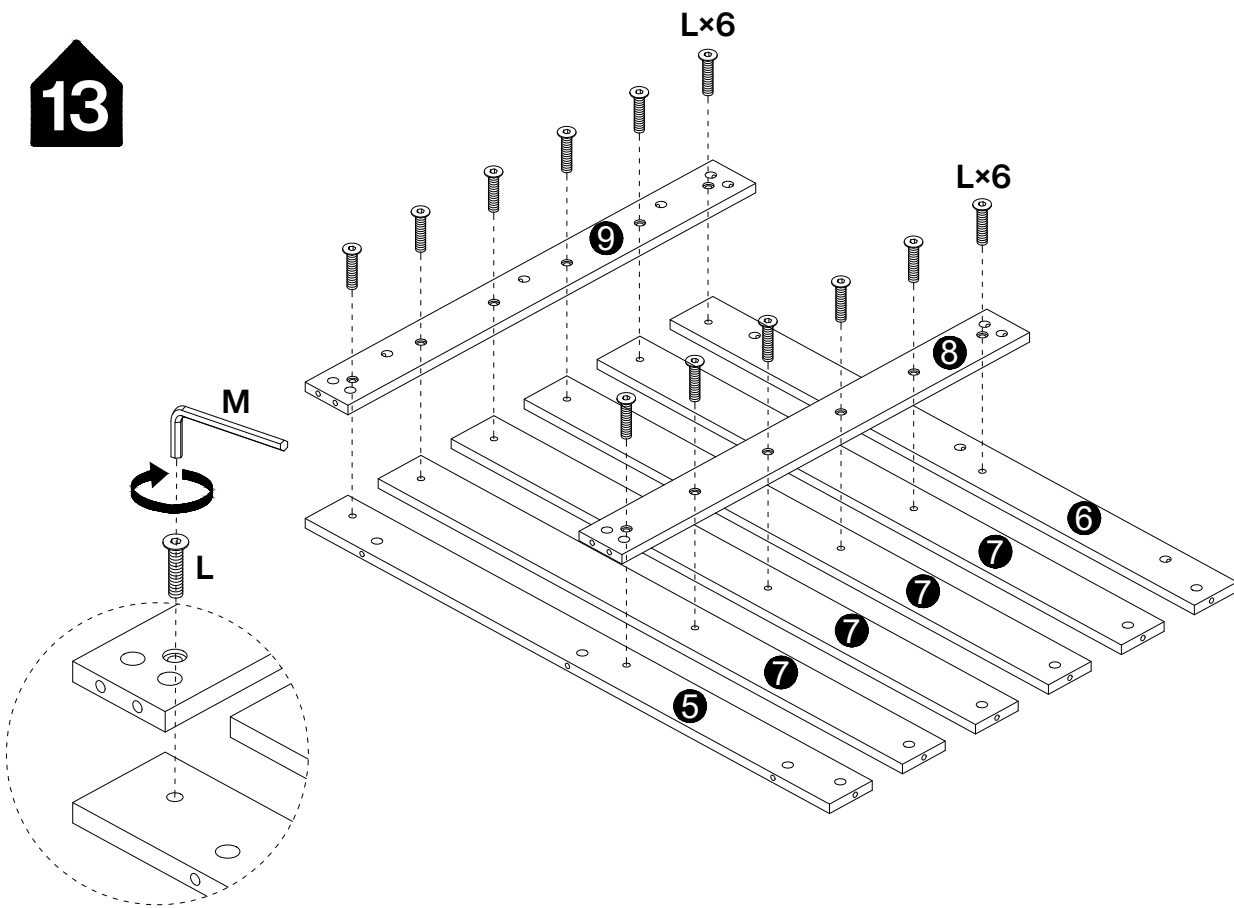
B

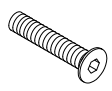
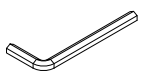
Ø15×12mm
4 pcs
D

Ø8×30mm
4 pcs

10

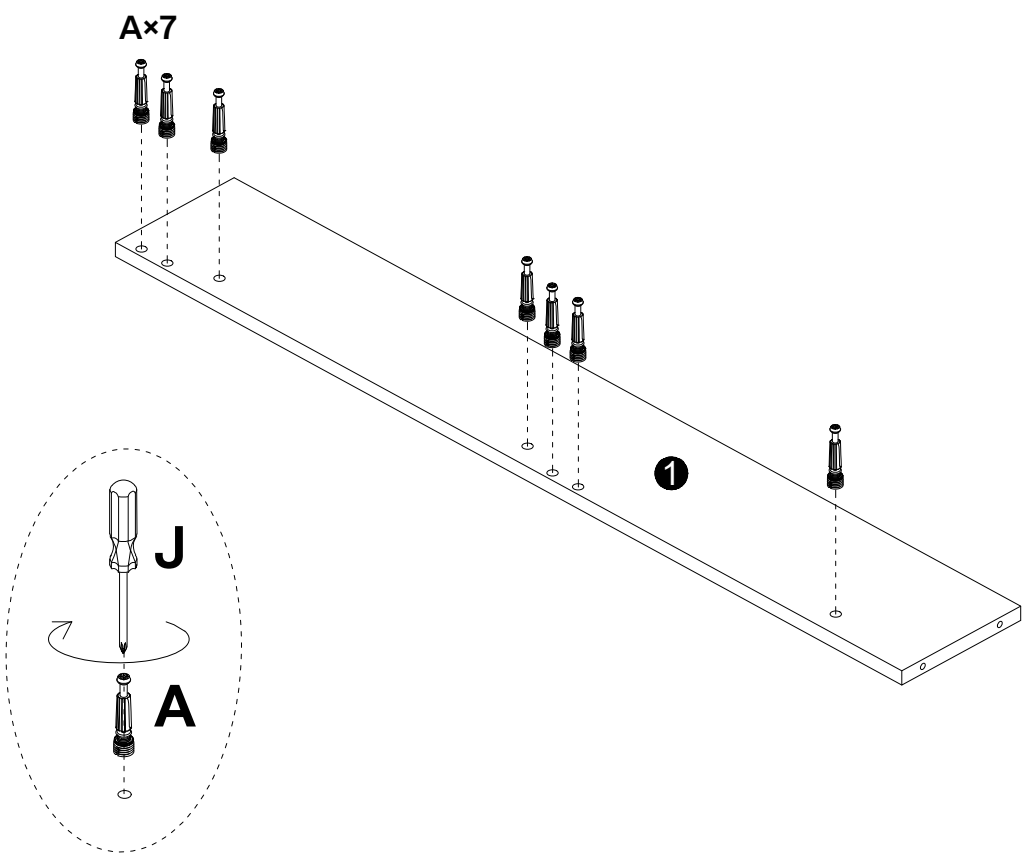


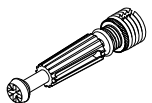
13



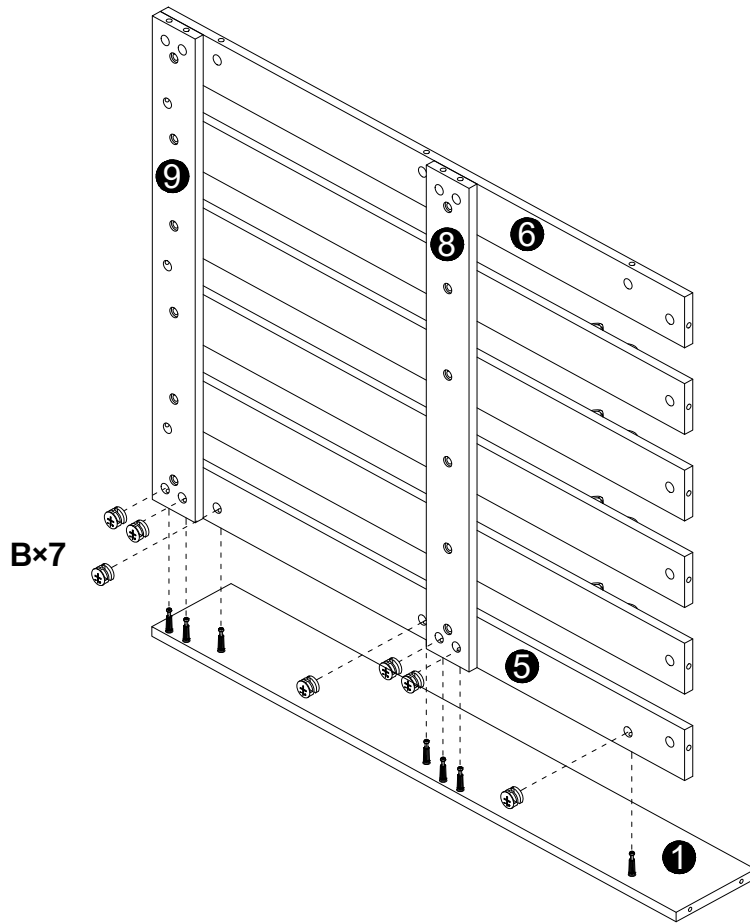
L

Ø6×20mm 12 pcs
M

M3
1 pc

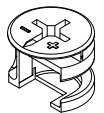
14



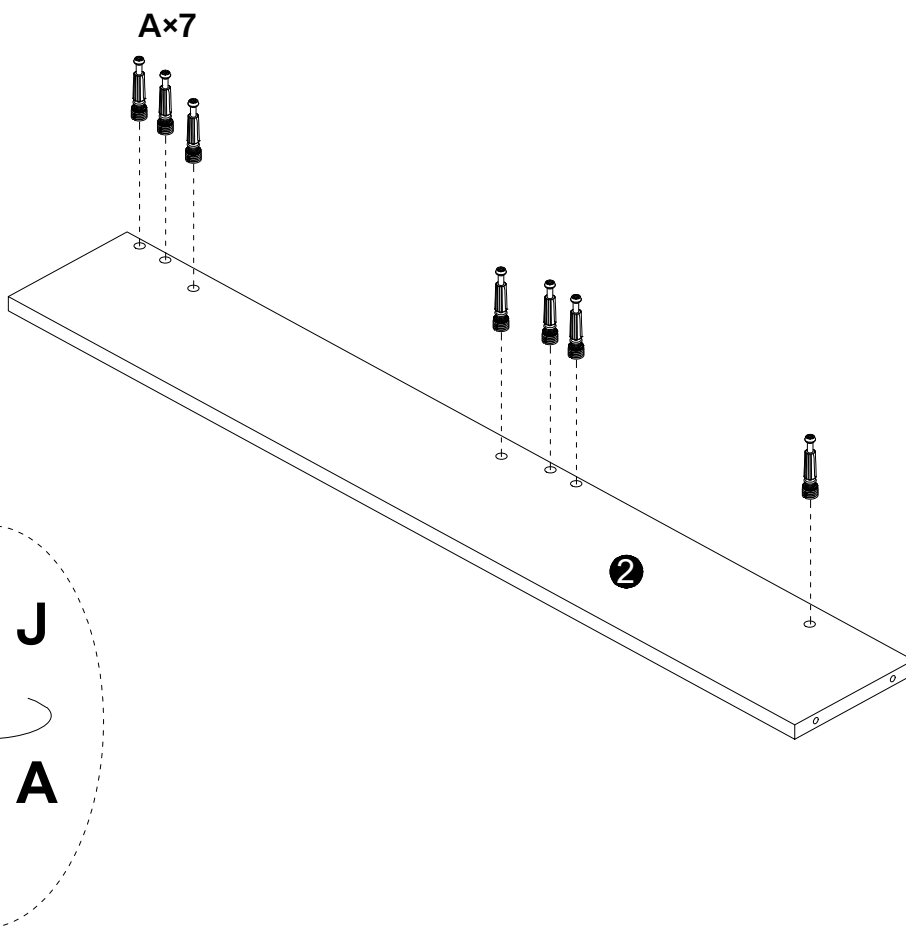
A

Ø6×40mm 7 pcs

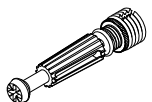
15



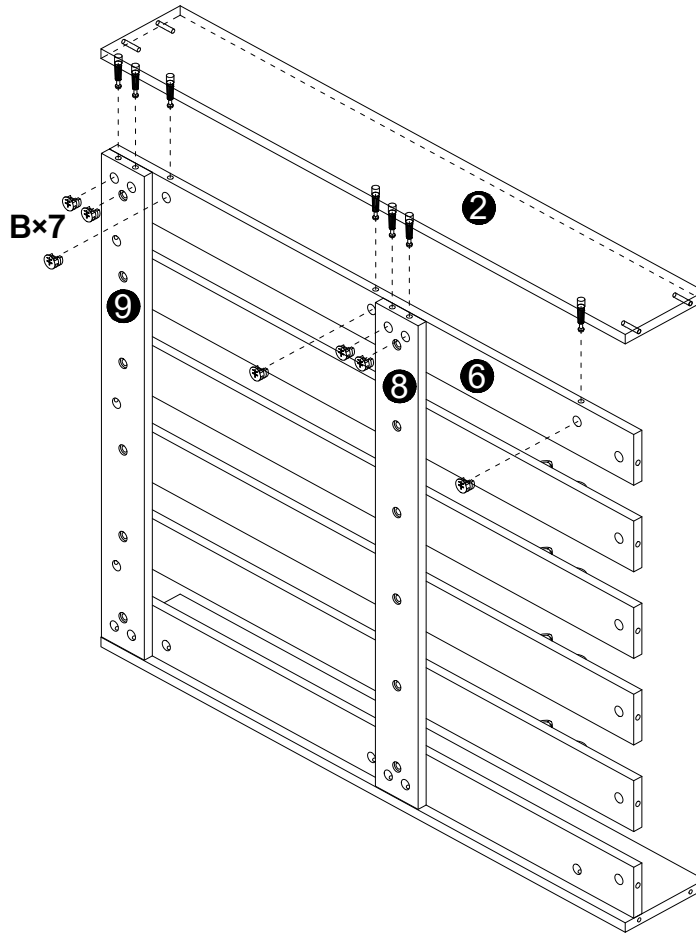
B

Ø15×12mm
7 pcs

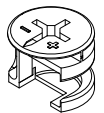
16



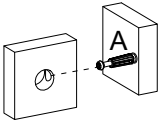
A

Ø6×40mm
7 pcs

17

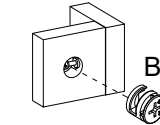


B

Ø15×12mm
7 pcs

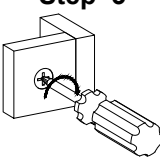
Step 1



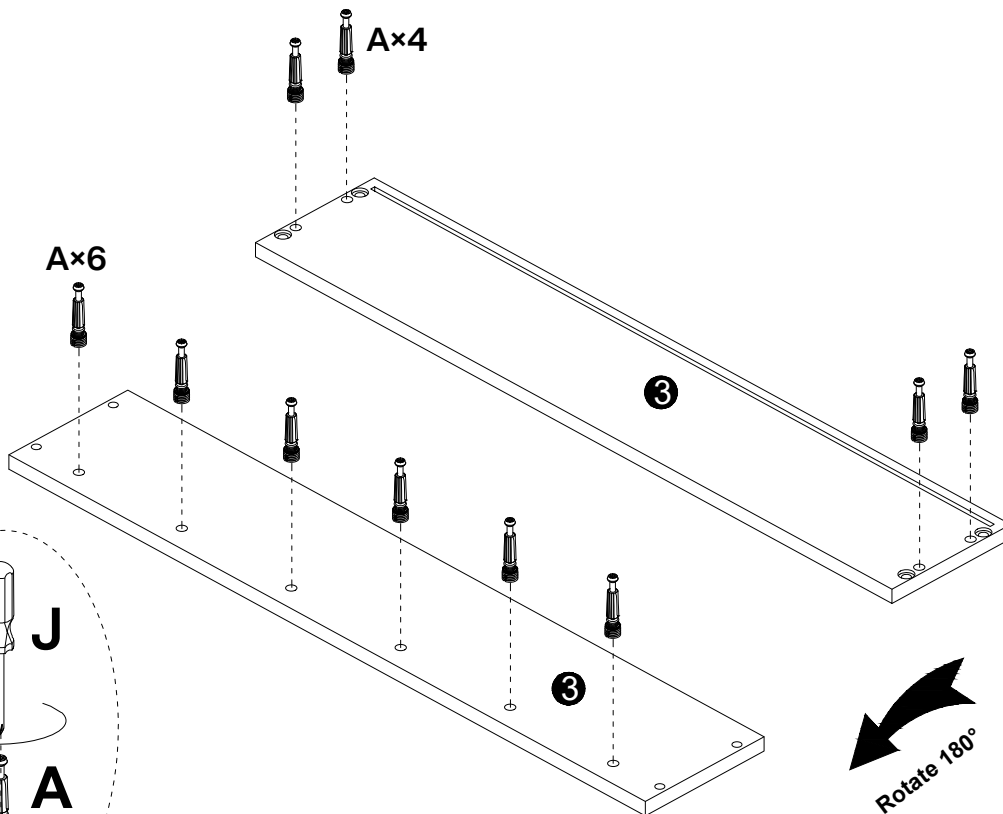
Step 2

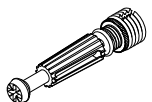


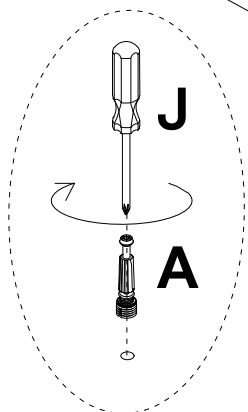
Step 3



18

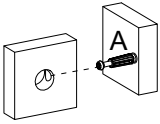


A

Ø6×40mm
10 pcs

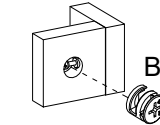


19

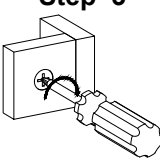
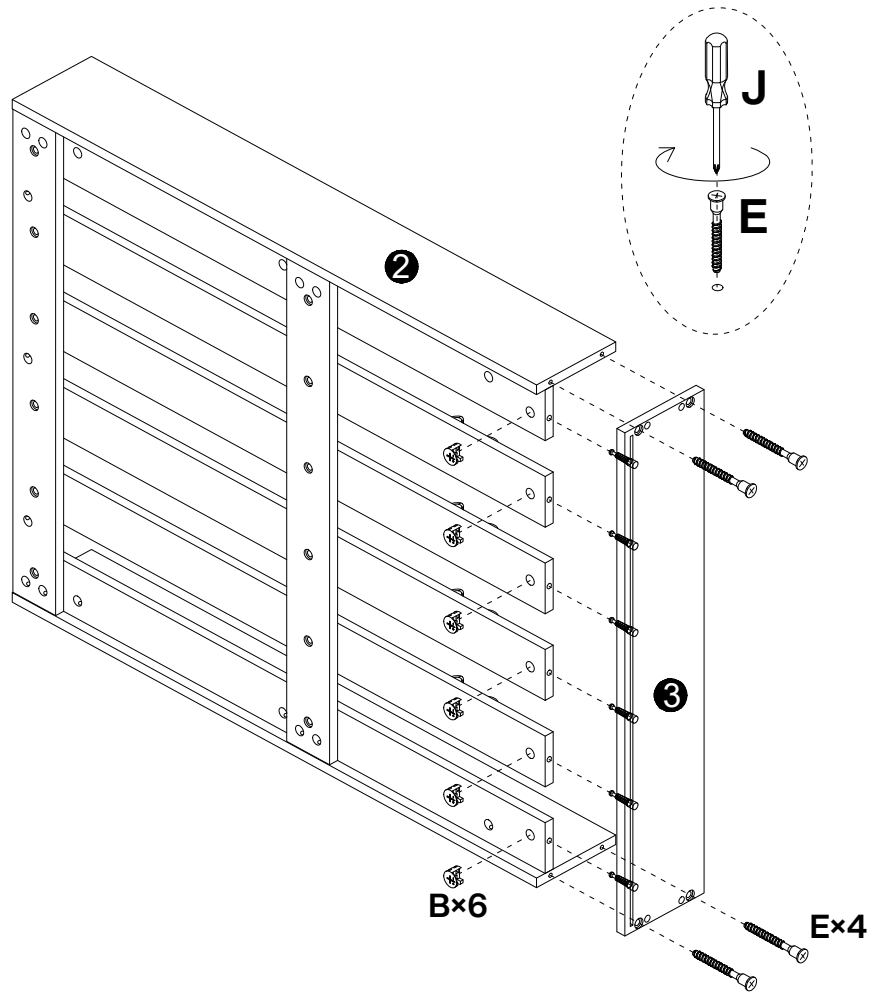
Step 1

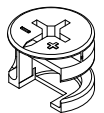
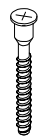


Step 2



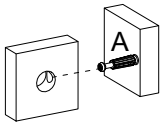
Step 3

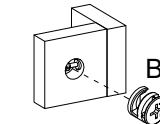
B

Ø15×12mm
6 pcs
E

Ø7×38mm
4 pcs

20

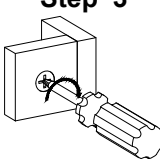
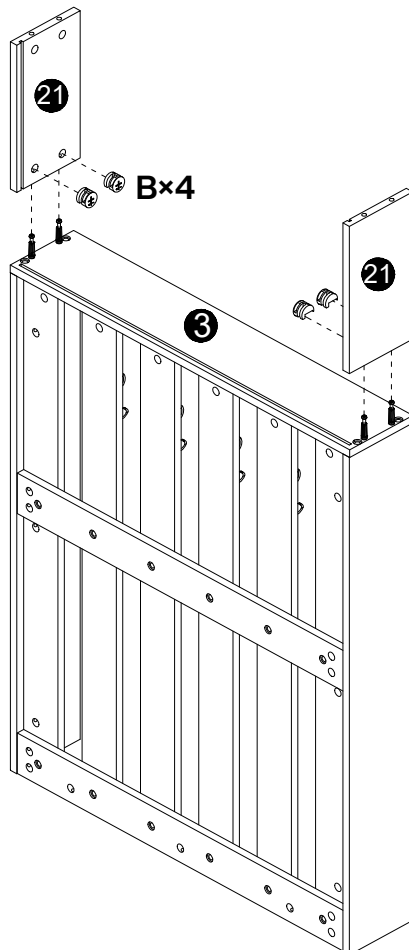
Step 1

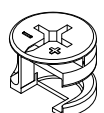


Step 2

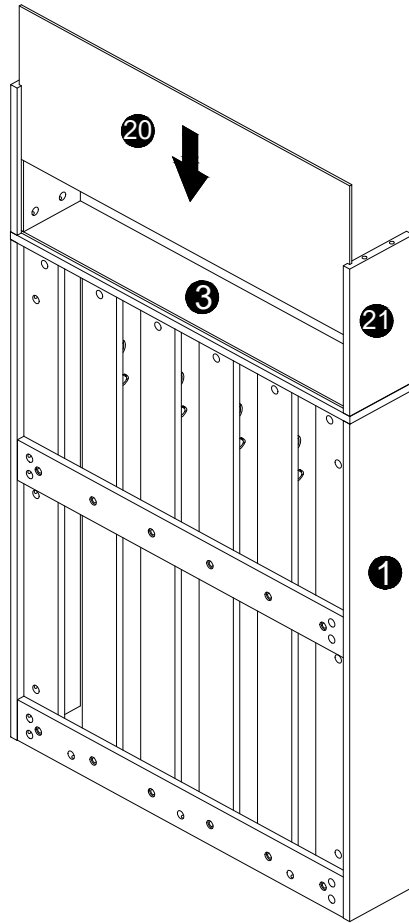


Step 3

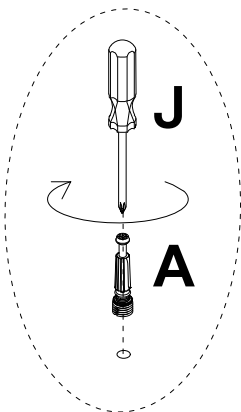
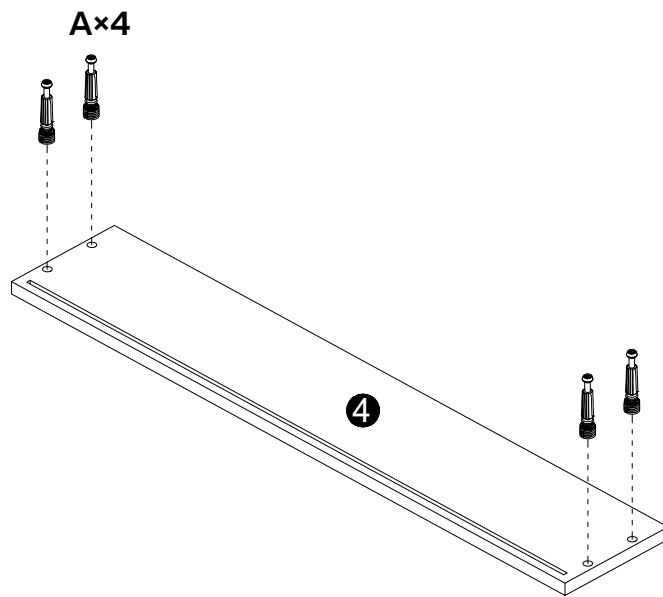



B

Ø15×12mm
4 pcs

21

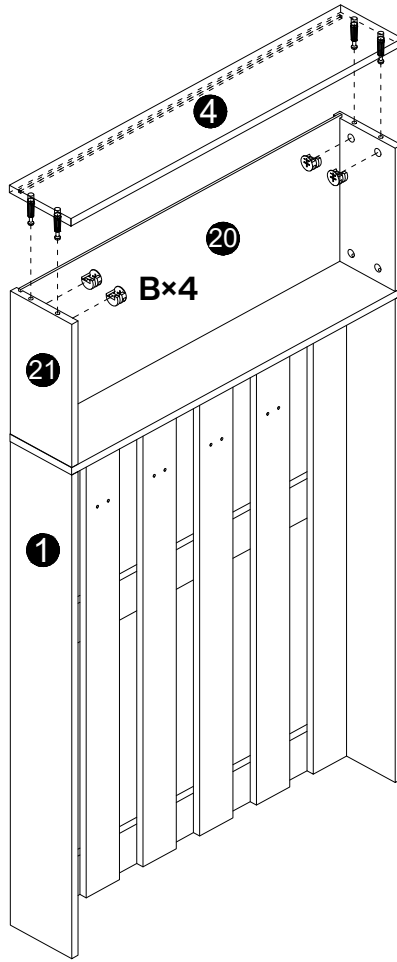
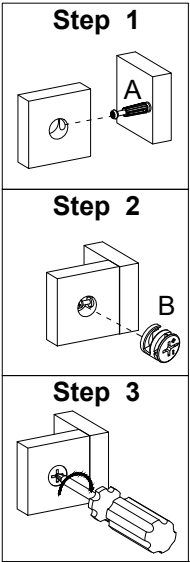


22



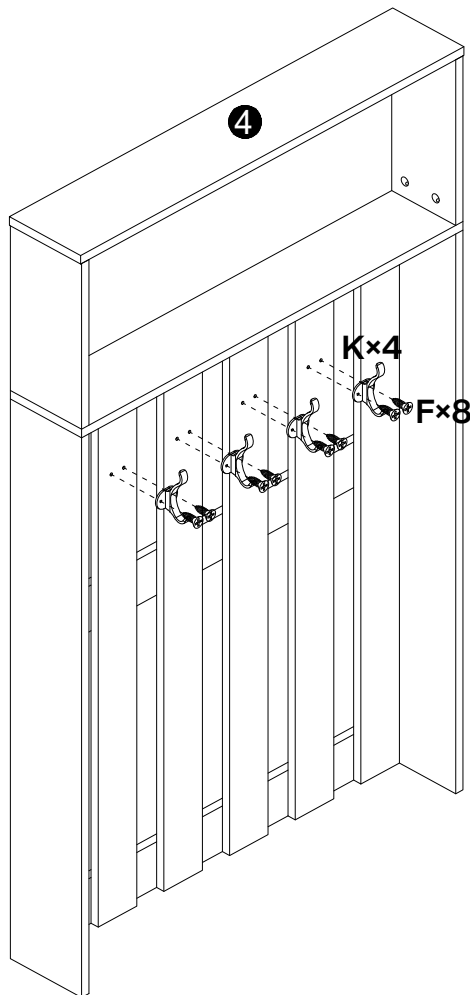
A
Ø6×40mm
4 pcs

23



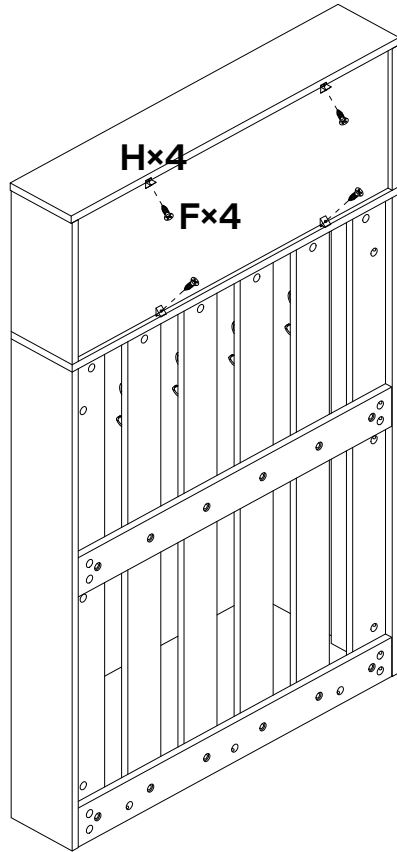
B
Ø15×12mm
4 pcs

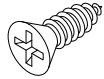
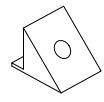
24

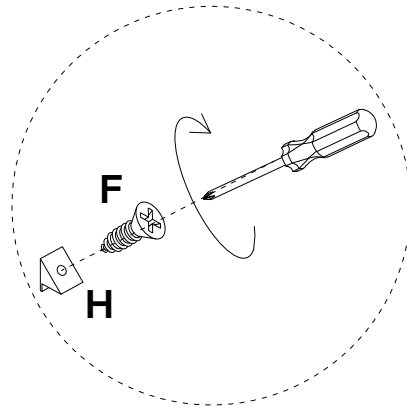


K
4 pcs
F
Ø3.5×14mm
8 pcs

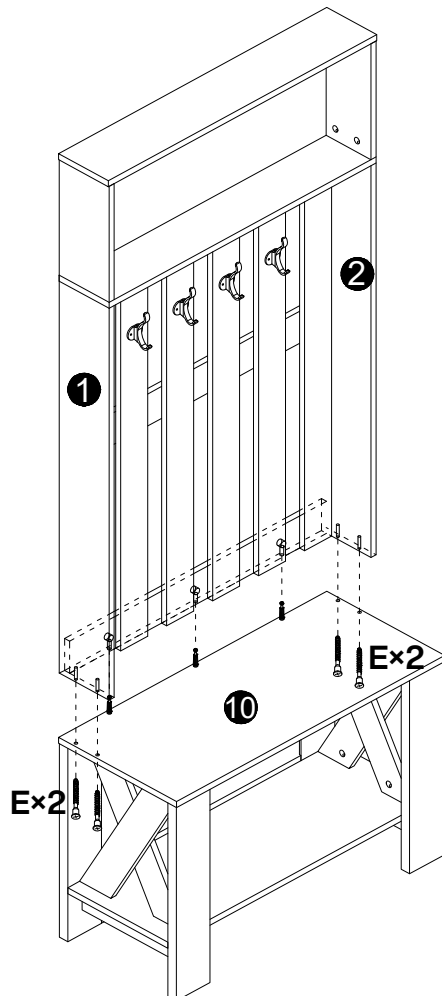
25




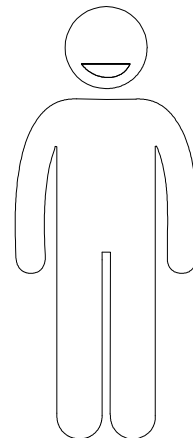
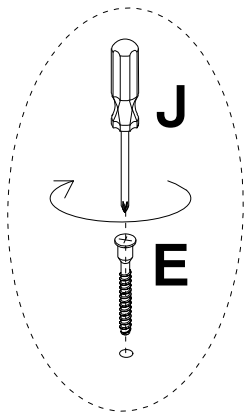
F

Ø3.5×14mm 4 pcs
H

4 pcs



26



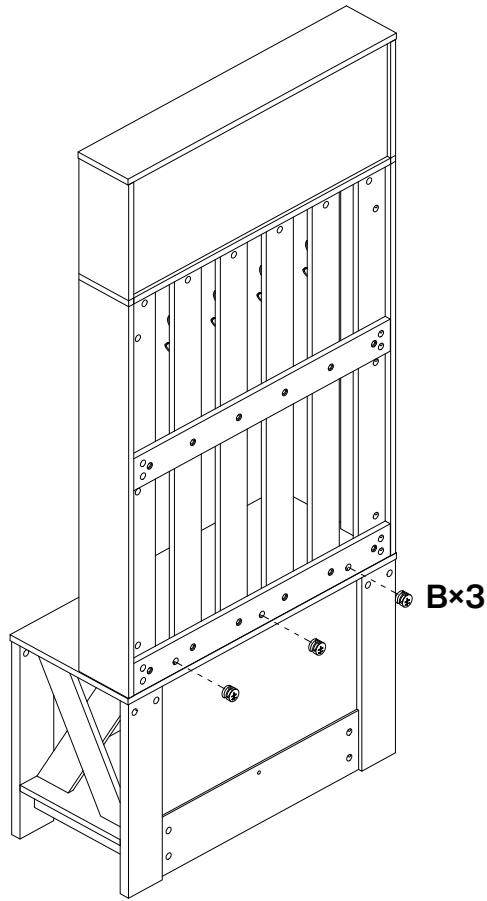
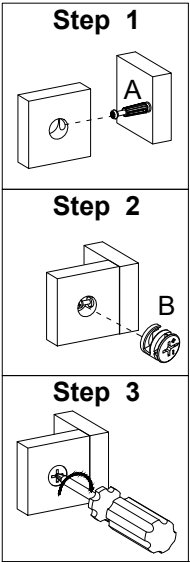
E

Ø7×38mm 4 pcs



X2

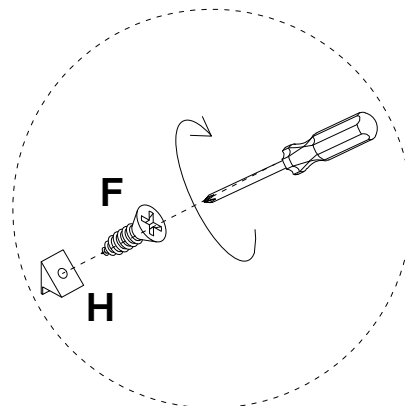
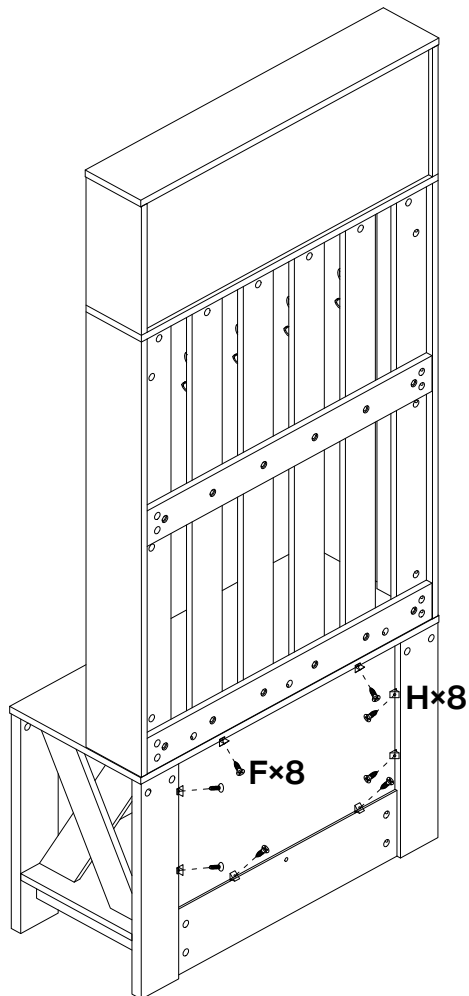
Recommended to be installed by two adults.

27



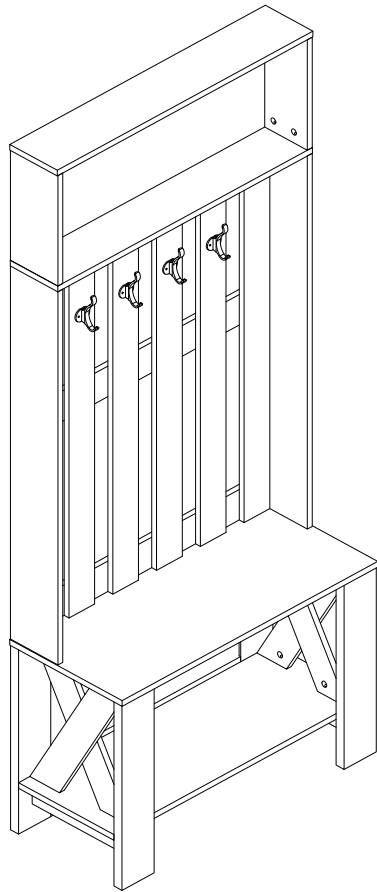
B
Ø15×12mm
3 pcs

28

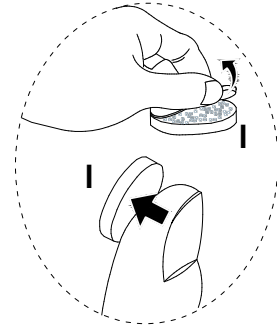


F
Ø3.5×14mm
8 pcs
H
8 pcs

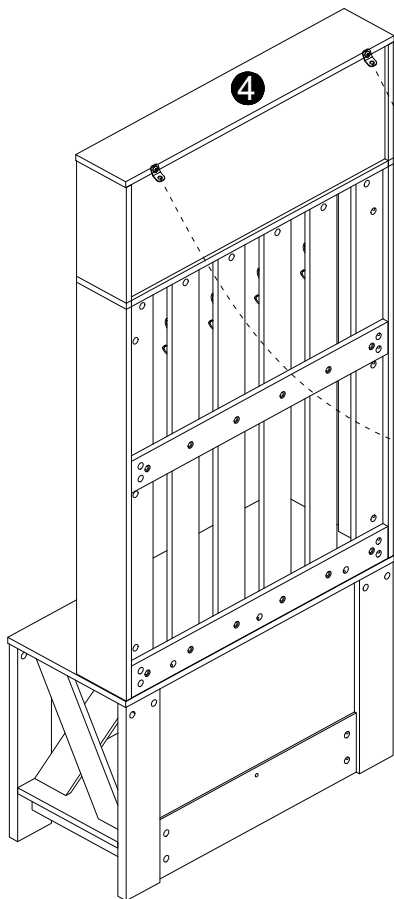
29



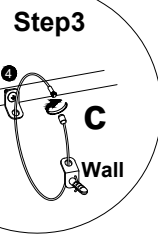
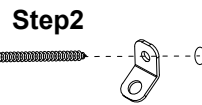
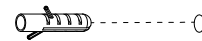
I
Ø20mm
50 pcs



30



Step1 Wall



C
2 pcs

Thank you for your support!

