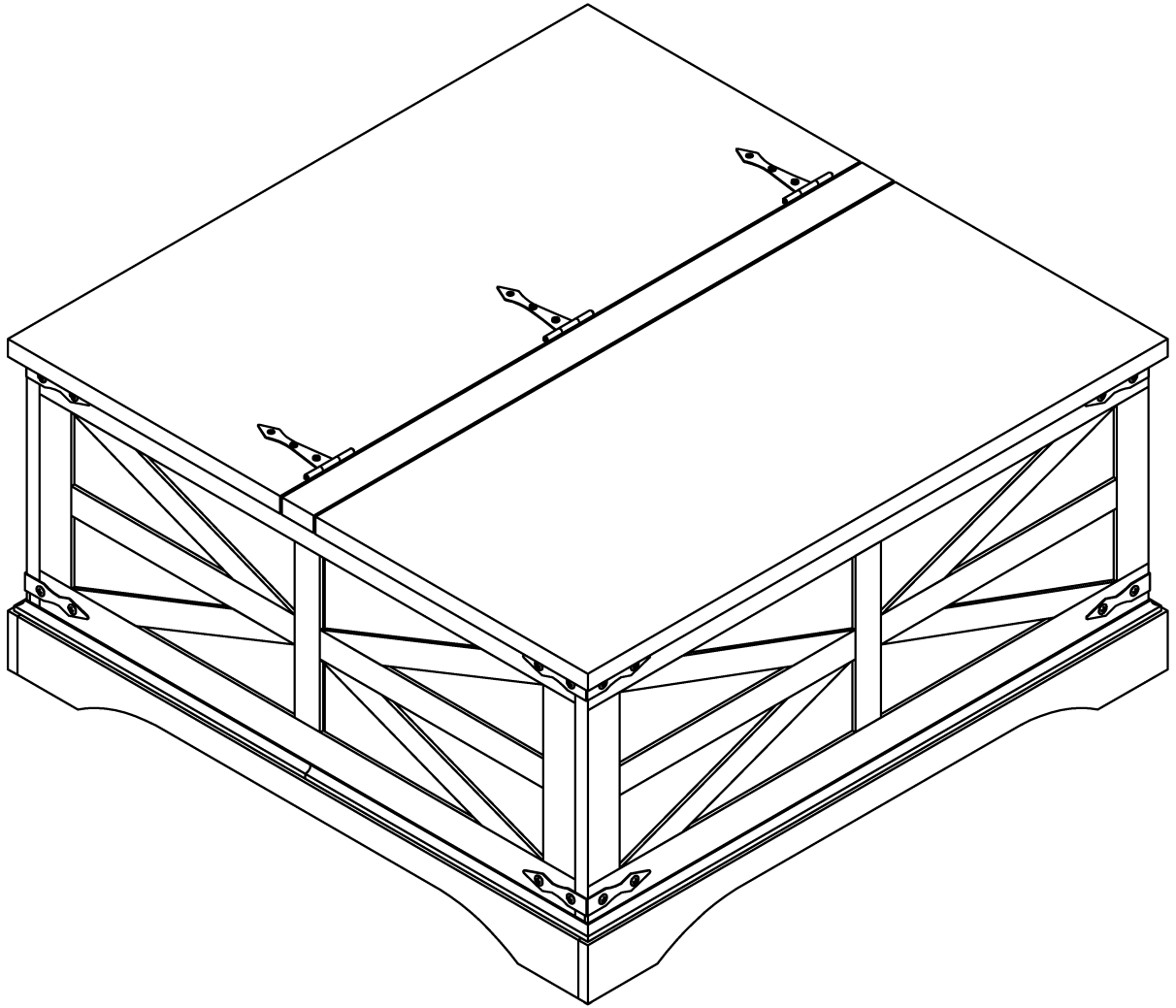


Assembly Instructions

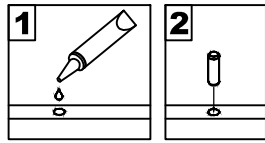


If you have any questions, please follow these steps(“Find Your Orders” - “Problem with the Order” - “Contact Seller”) to contact our customer service. Thanks!

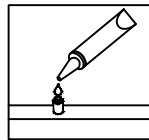
Revsied 20/07/2024

General Assembly Guidelines

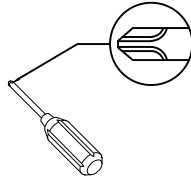
- I. Ensure that all parts and hardware are available before beginning assembly.
- II. Follow each step carefully to ensure the proper assembly of this product.
- III. Two people are recommended for ease in the assembly of this product.
- IV. The three main types of hardware used to assemble this product are : wood dowels , screws and bolts.
- V. The provided glue is to secure wood dowels in place . When first inserting dowels , locate the appropriate hole for the dowel , place a small amount of glue in the hole and insert the dowel . Wipe away excess glue immediately.



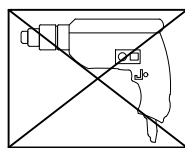
In future assembly steps when dowels are necessary to attach assembly parts together , place a small amount of glue on the end of the dowel before attaching parts together . Wipe away excess glue immediately.



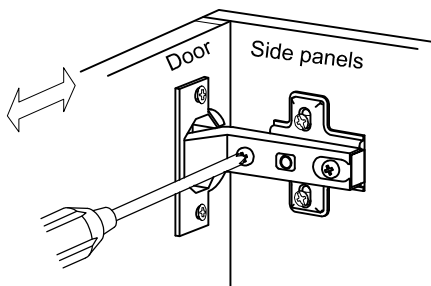
- VI. A Phillips head screwdriver is required for the assembly of this product .



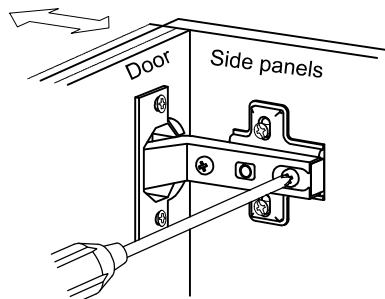
- VII. Power tools should not be used to assemble this product .



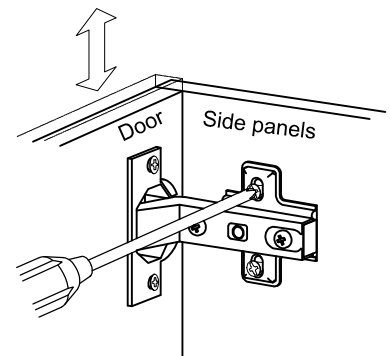
- VIII. Concealed hinges are three-way adjustable.



Horizontal
by screw adjustment

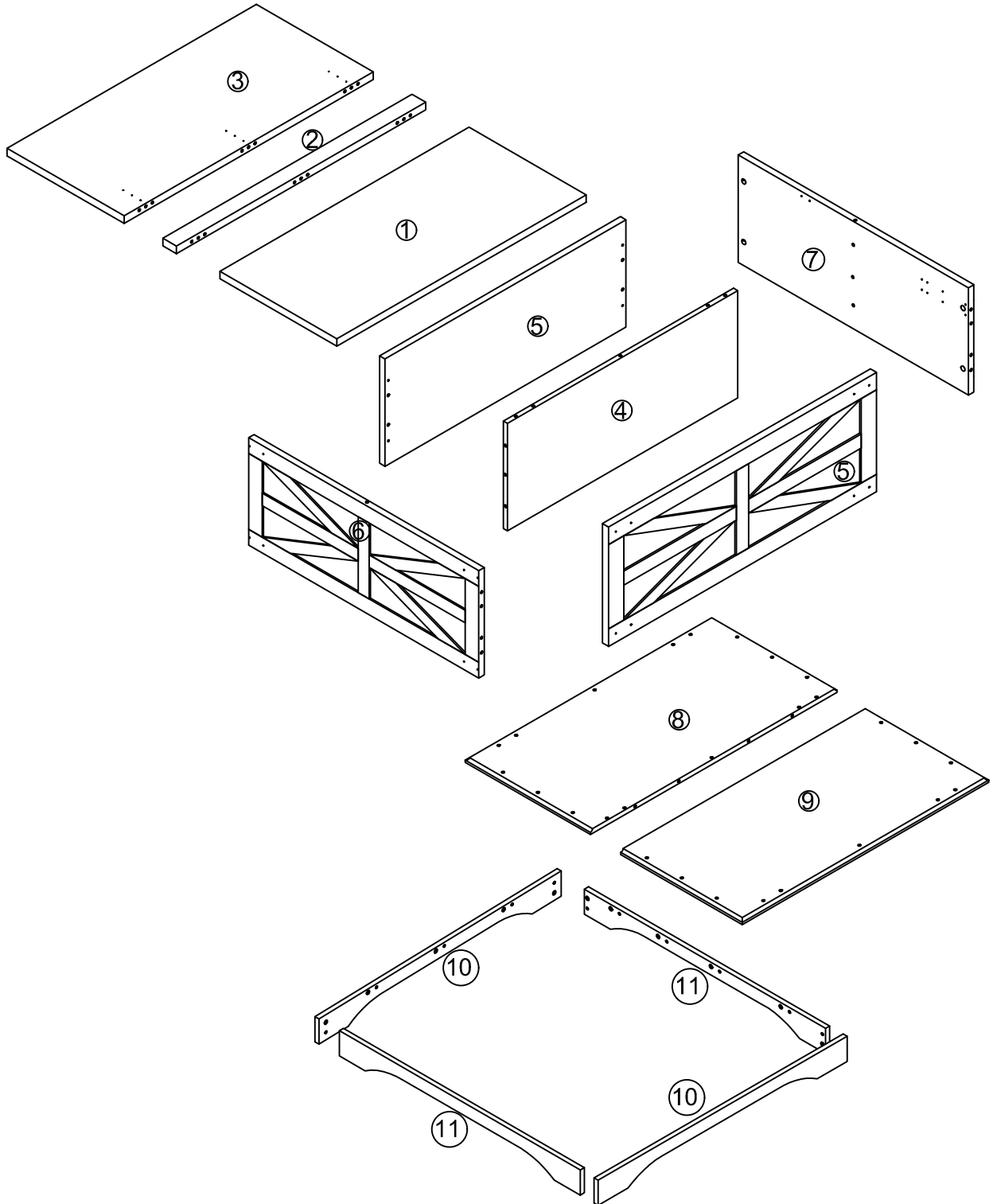


In-and-Out
by loosening the hinge-arm
mounting screw or via cam
adjustment











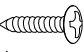











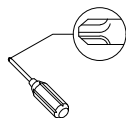
Vertical
Via slots in the mounting
plate or via cam adjustment

Parts List



Hardware List

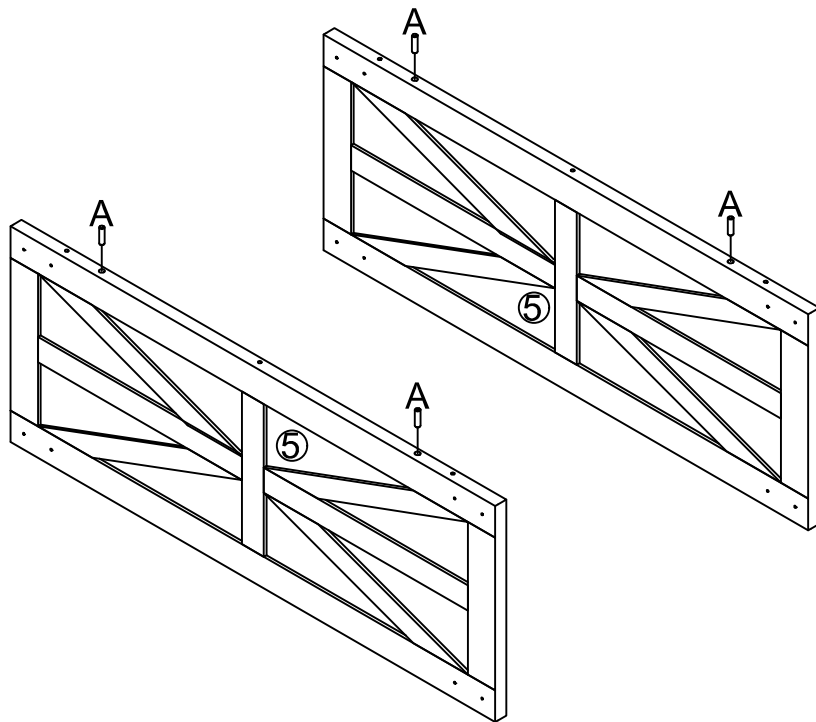
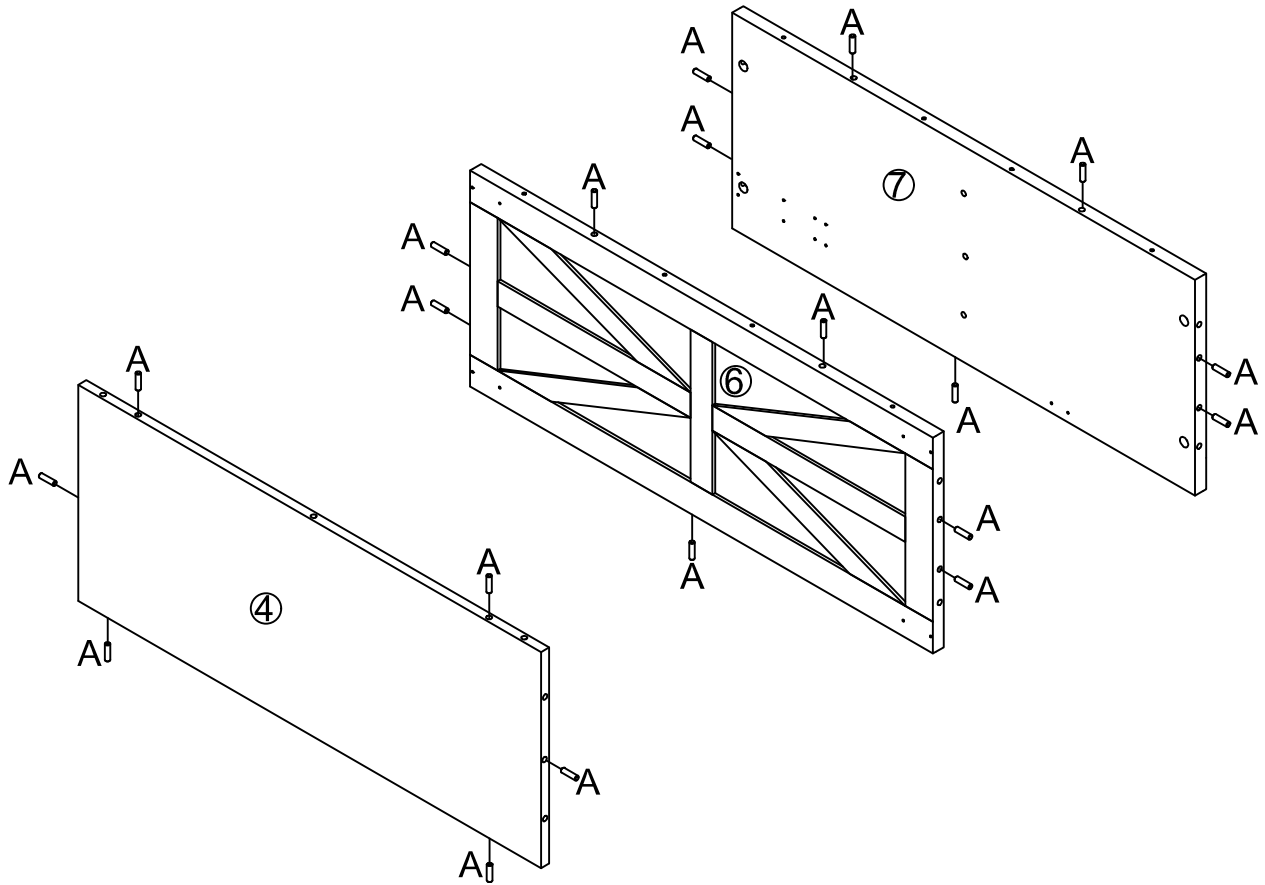
A		Ø8x30mm	Wooden dowel	28	pcs
B		Ø6x35mm	Cam bolt	15	pcs
C		Ø15x11mm	Cam lock	15	pcs
D		Ø30mm	Sticker	15	pcs
E			White glue	1	pc
G		Ø6x40mm	Screw	17	pcs
H		M4	Hex Key	1	pc
I			Plastico wedge	18	pcs
J		M6*12mm	Screw	36	pcs
K			Hinge	3	pcs
L		Ø3*15mm	Screw	26	pcs
M			L iron angle	8	pcs
N		Ø5*15mm	Screw	48	pcs
O			Curved Hand	1	pcs
P			Curved Hand	1	pcs
W				3	pcs
X		Ø4*14mm		6	pcs
Y				1	pcs
Z				1	pcs
F		Ø4*15mm	Screw	10	pcs




Philips head screwdriver required for assembly
(not included)

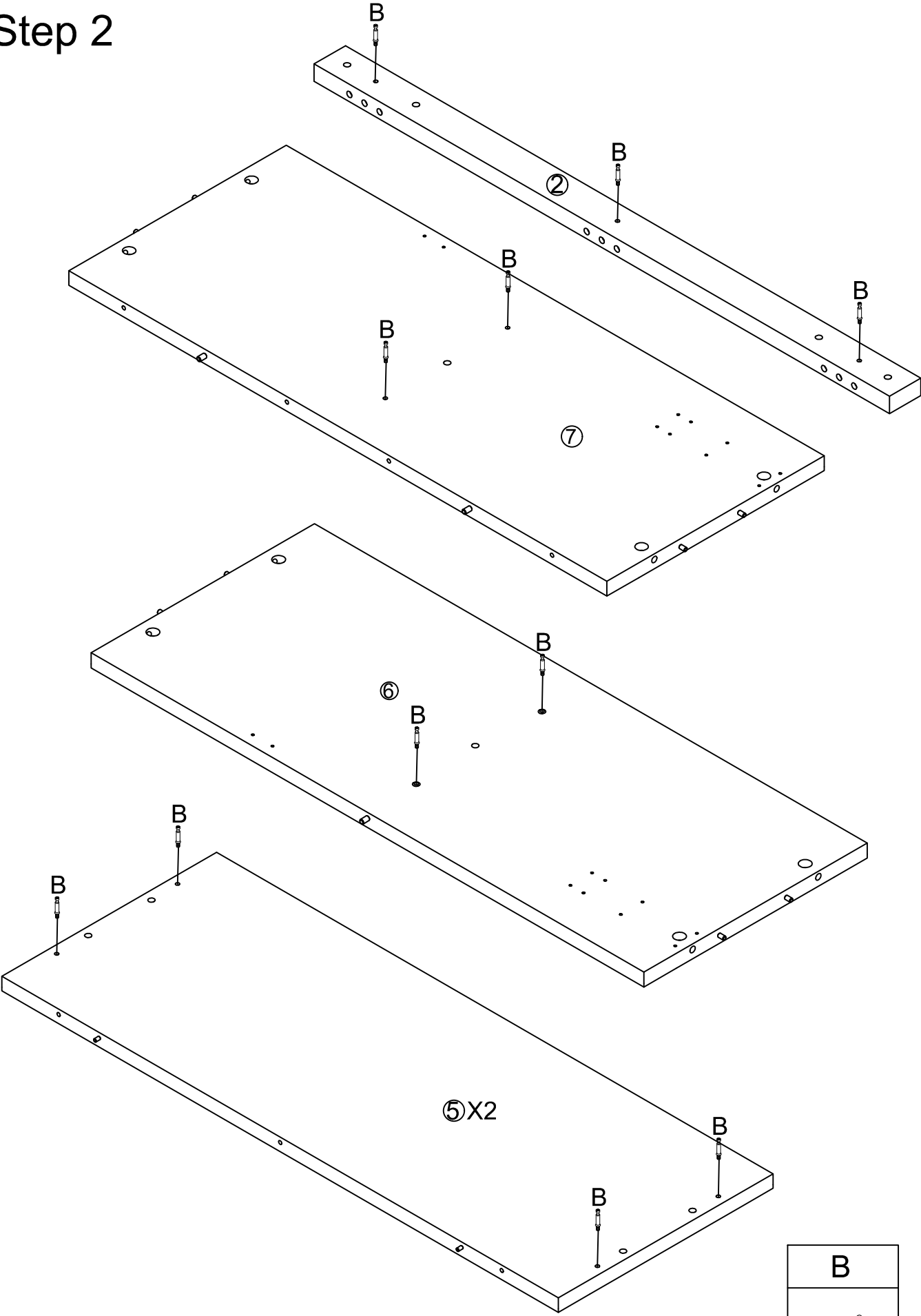
*The hardware quantities listed above are required for proper assembly.
Some extra hardware may also have been included.*

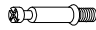
Step 1



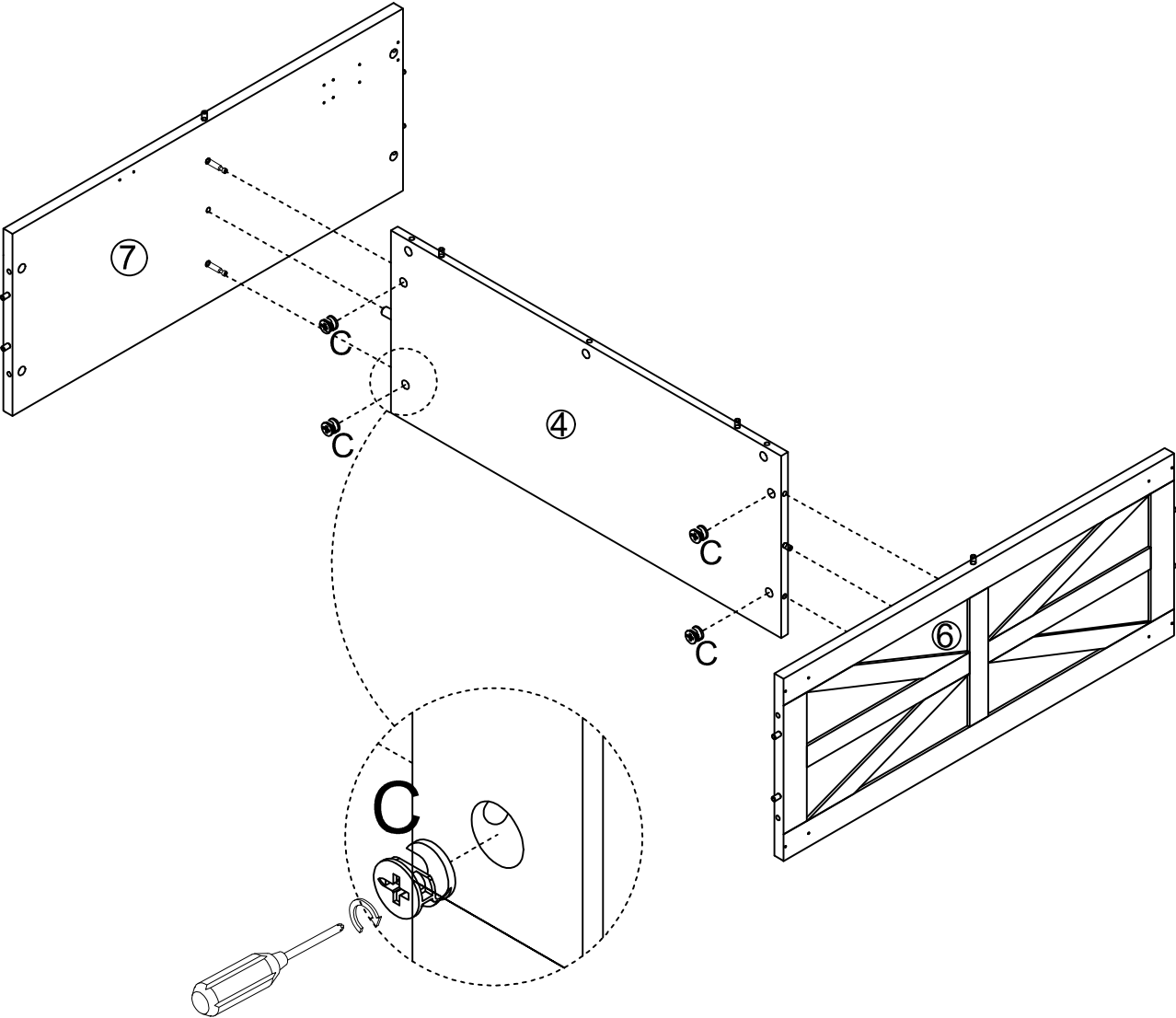
A

X24


Step 2



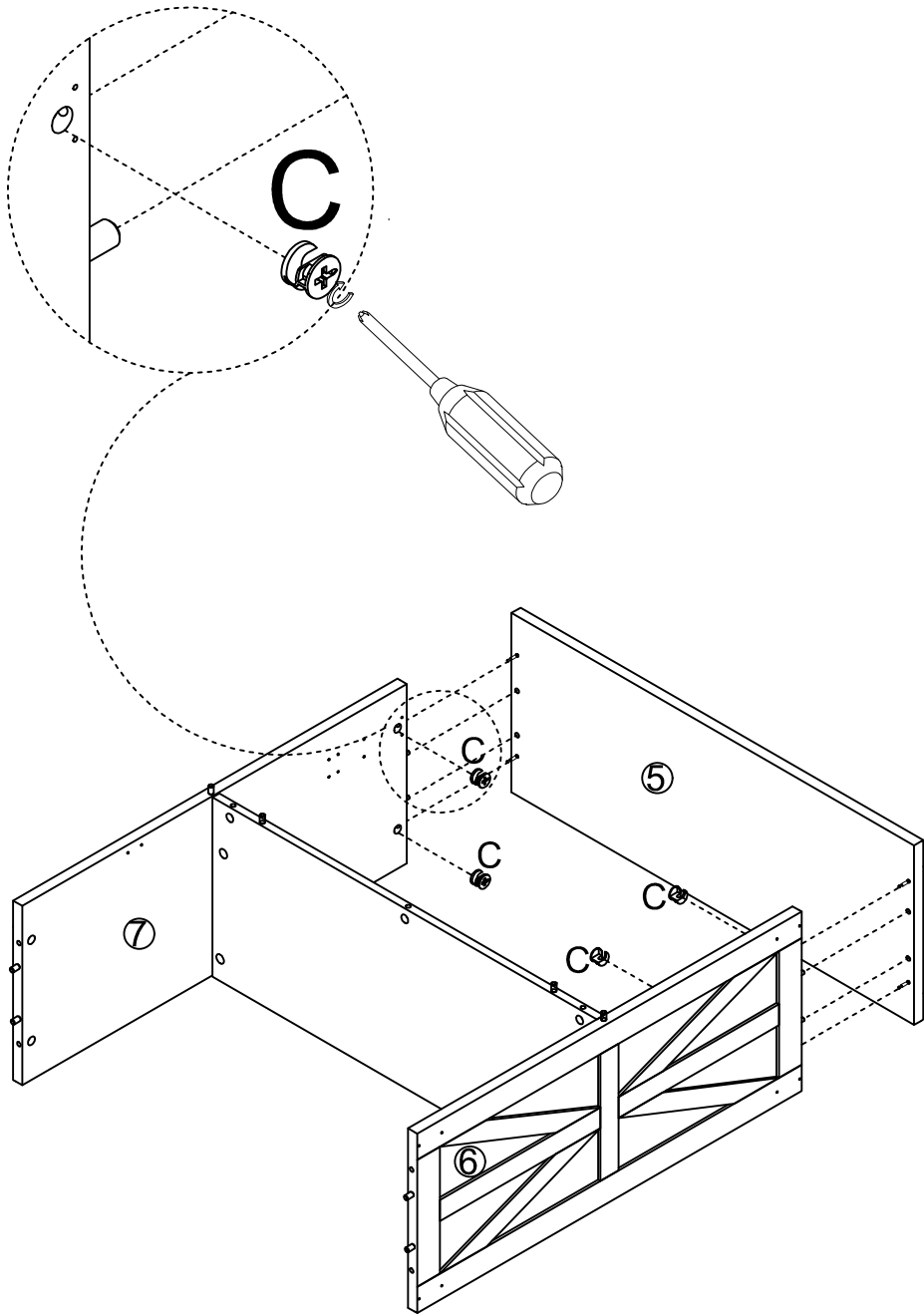
B

X15


Step 3



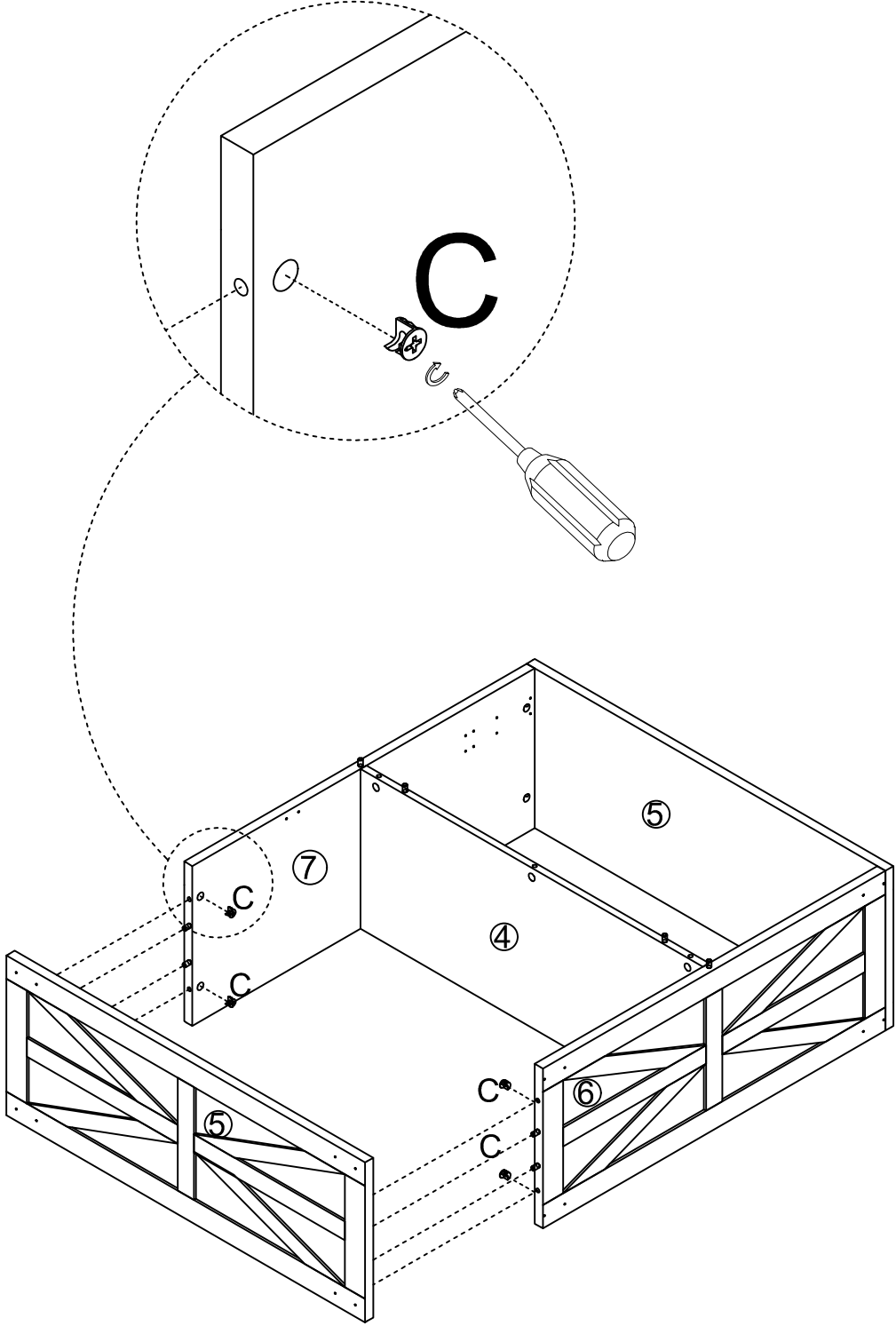
C

X4


Step 4



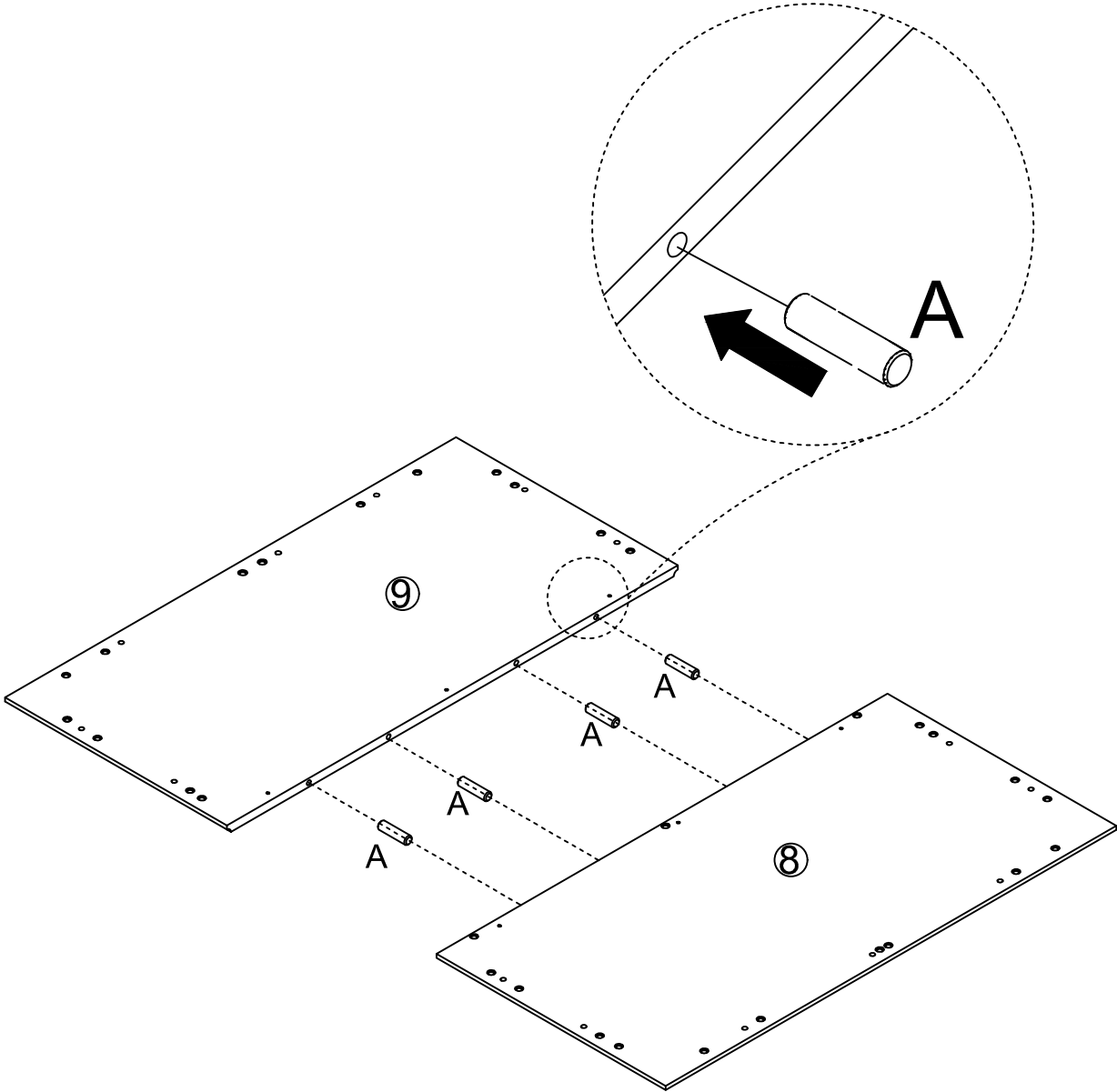
C

X4


Step 5



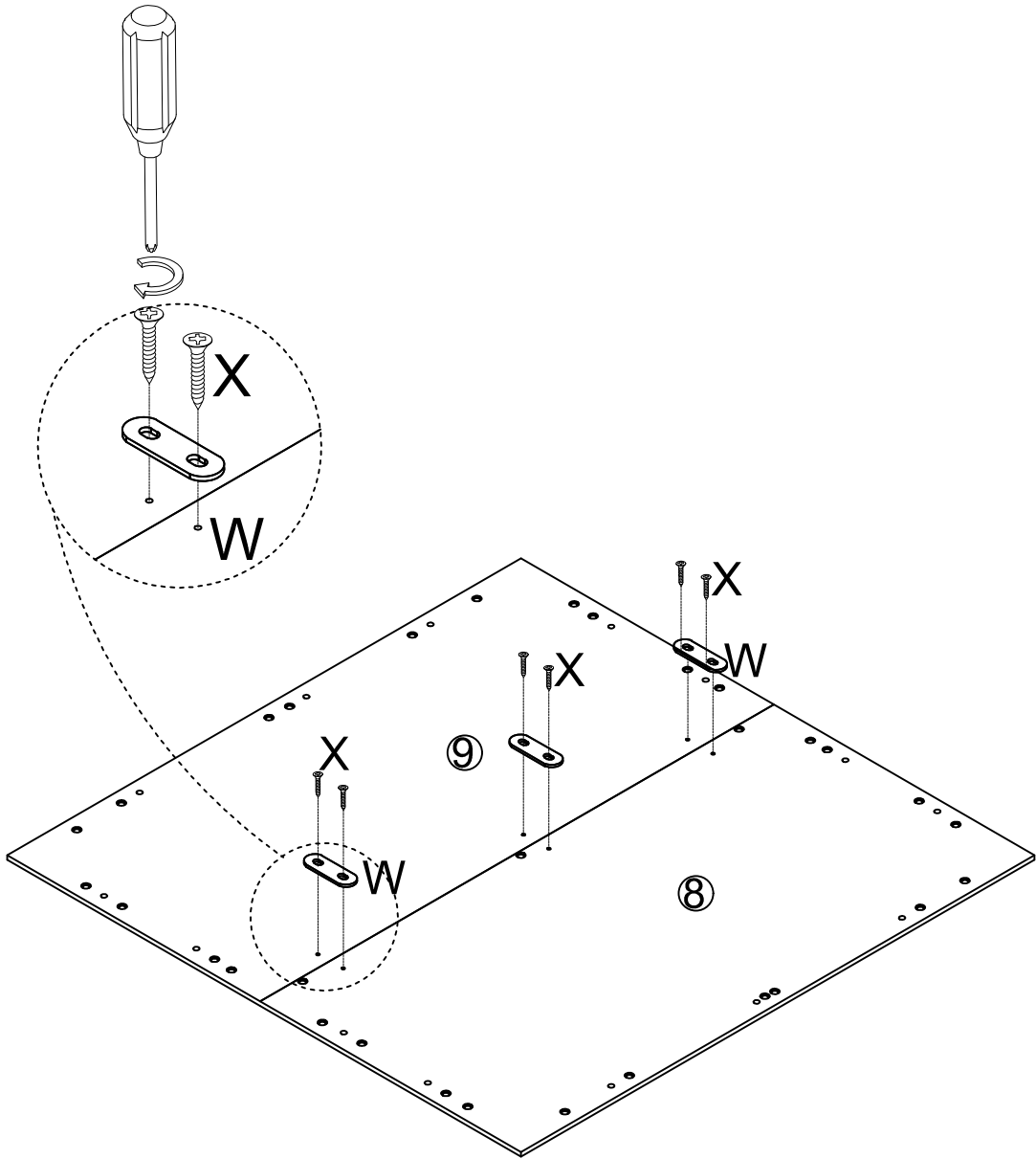
C

X4

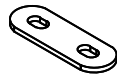
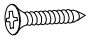
Step 6



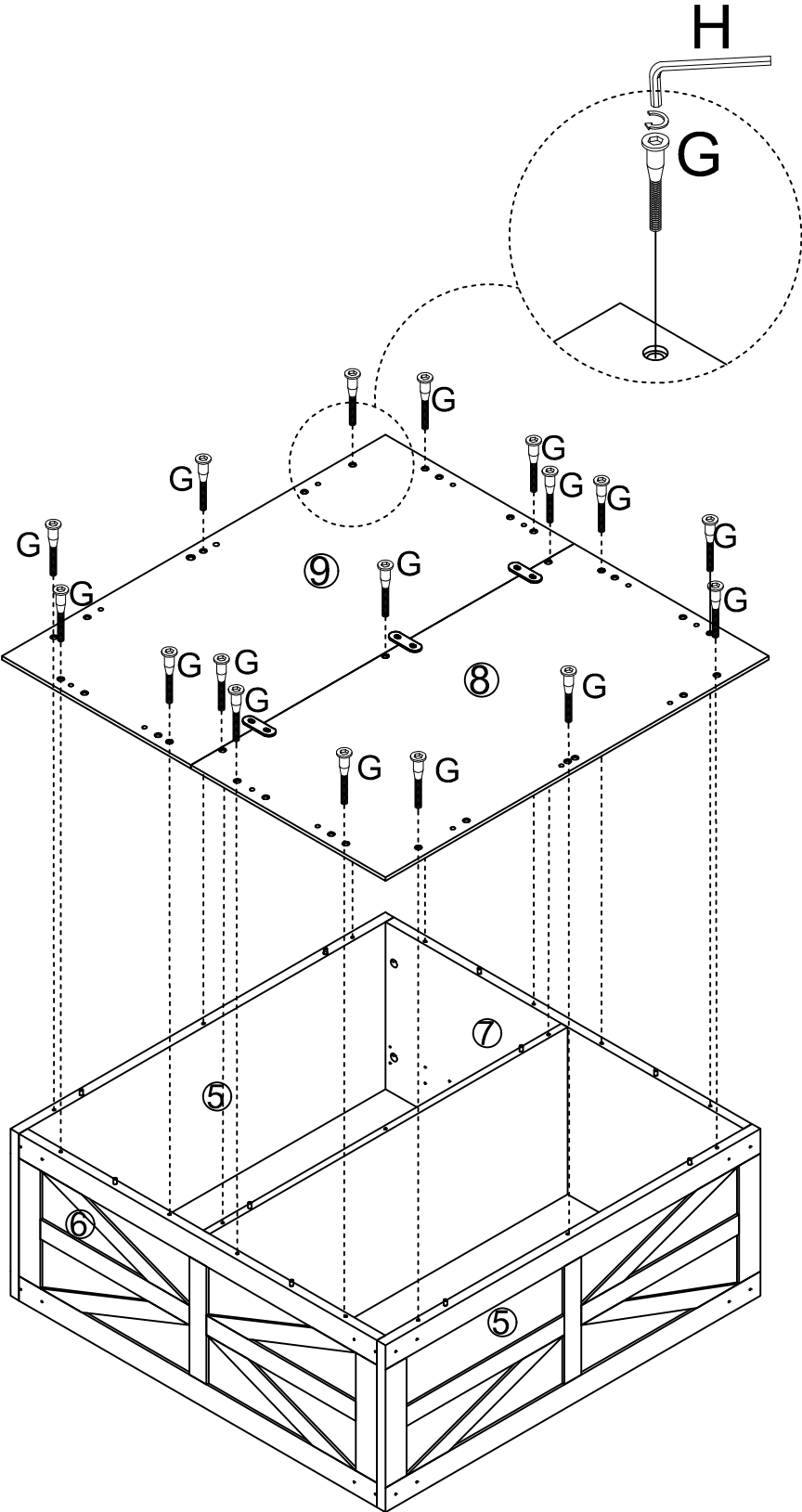
A

X4


Step 7



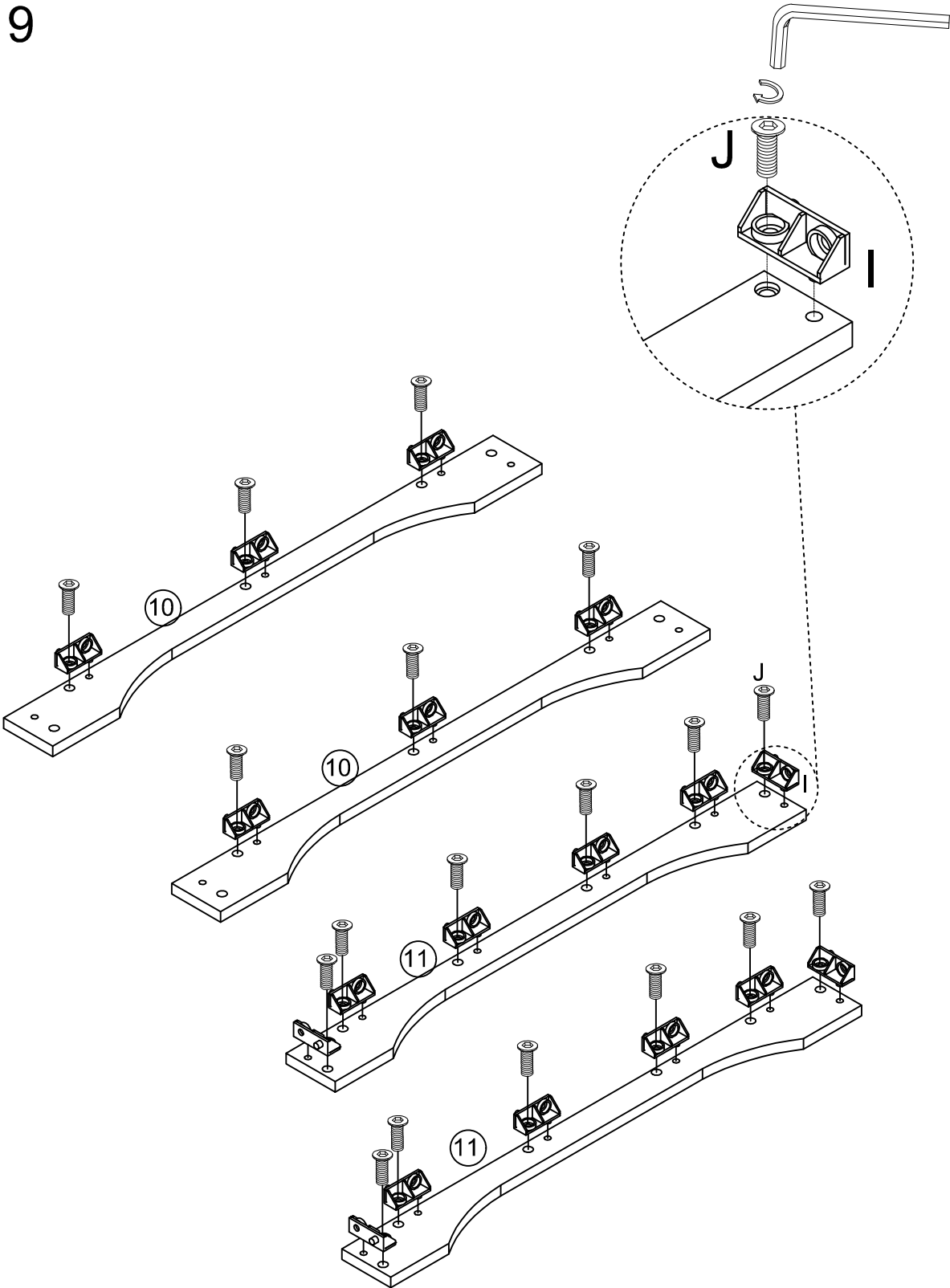
W	X
	
X3	X6



Step 8



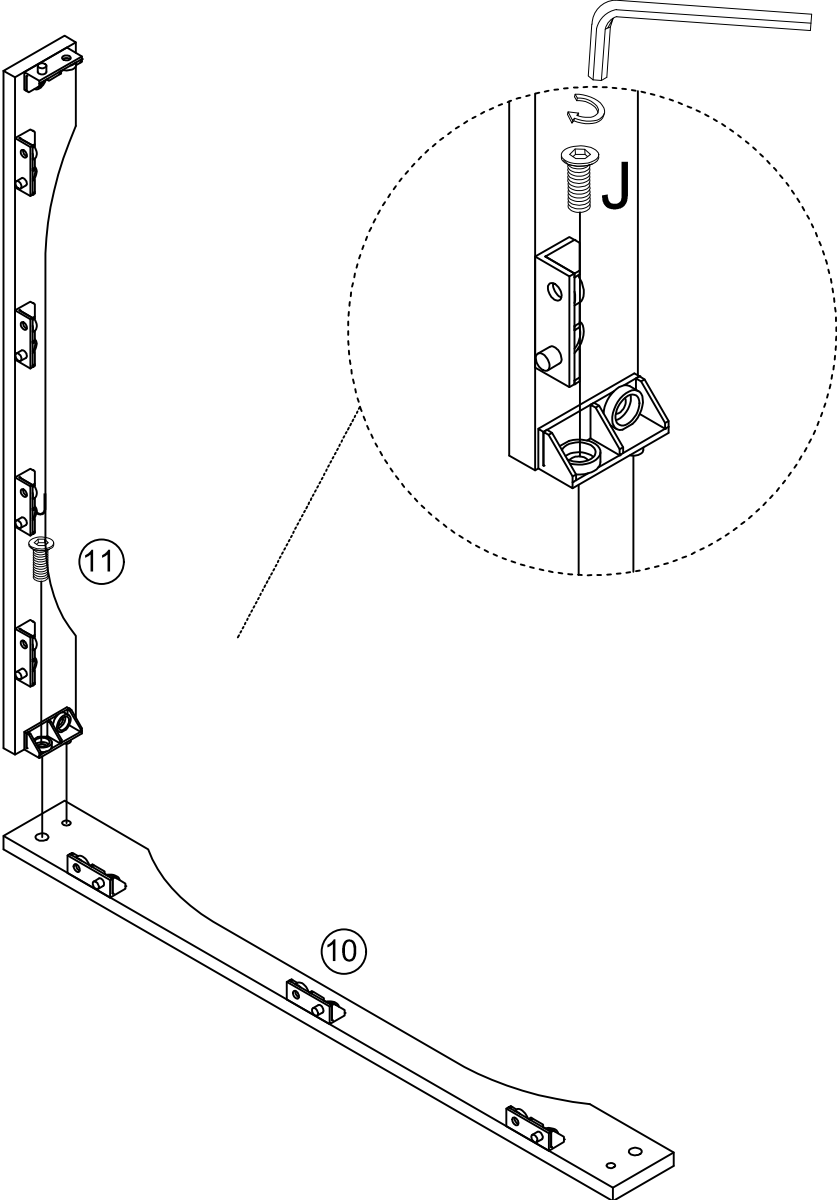
G

X17

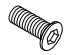
Step 9



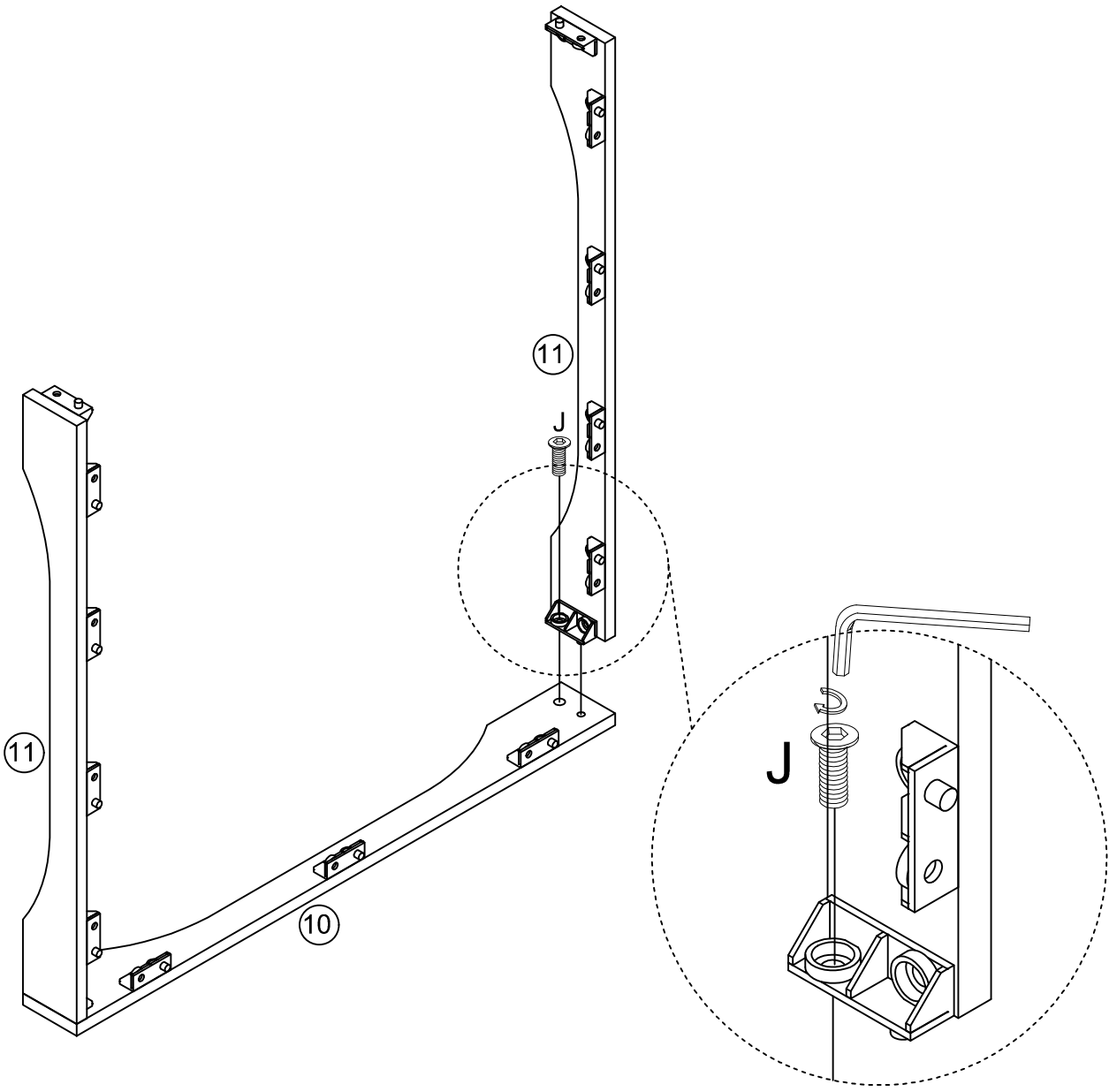
I	J
	
X18	X18


Step 10



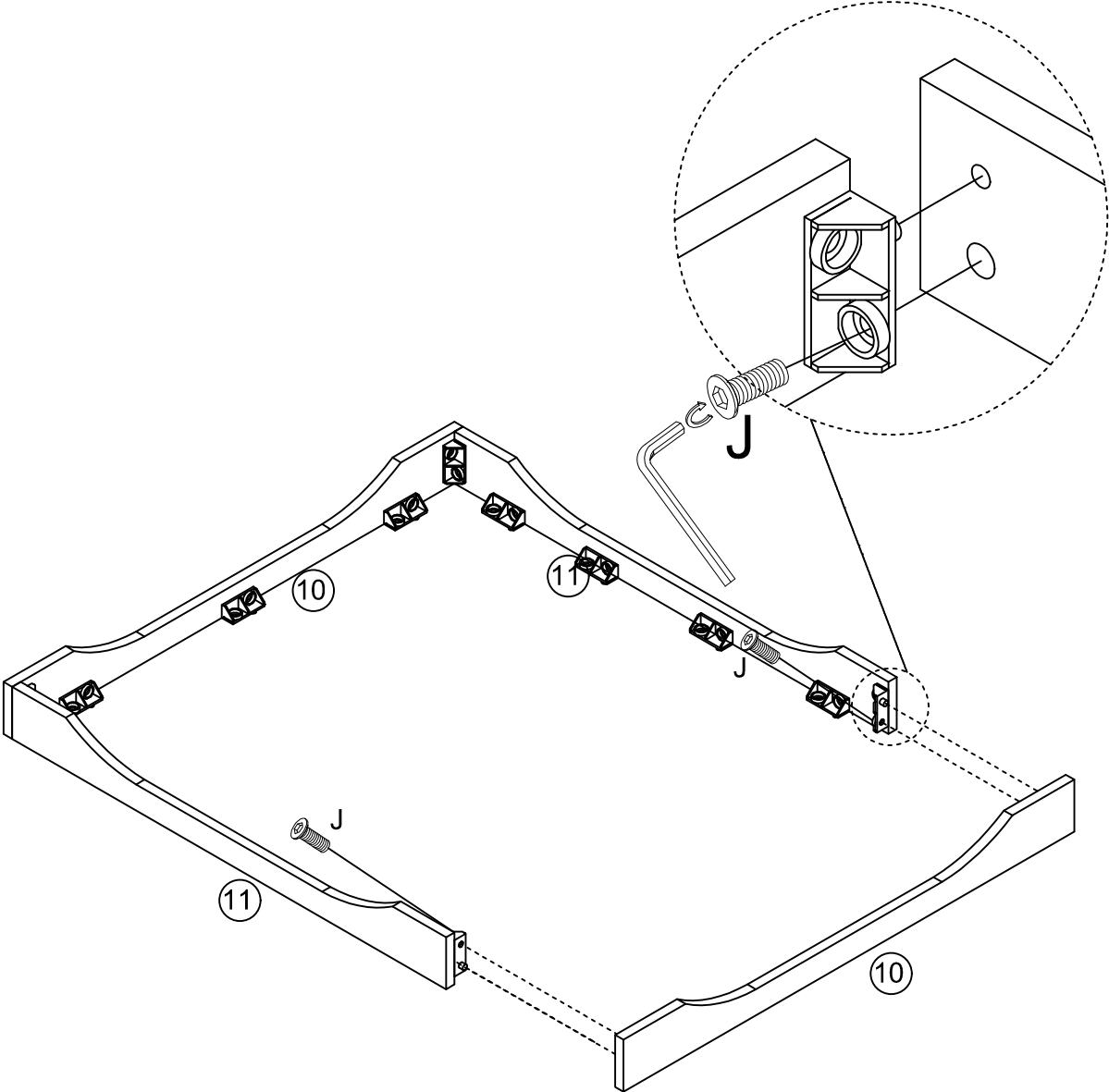
J

X1


Step 11



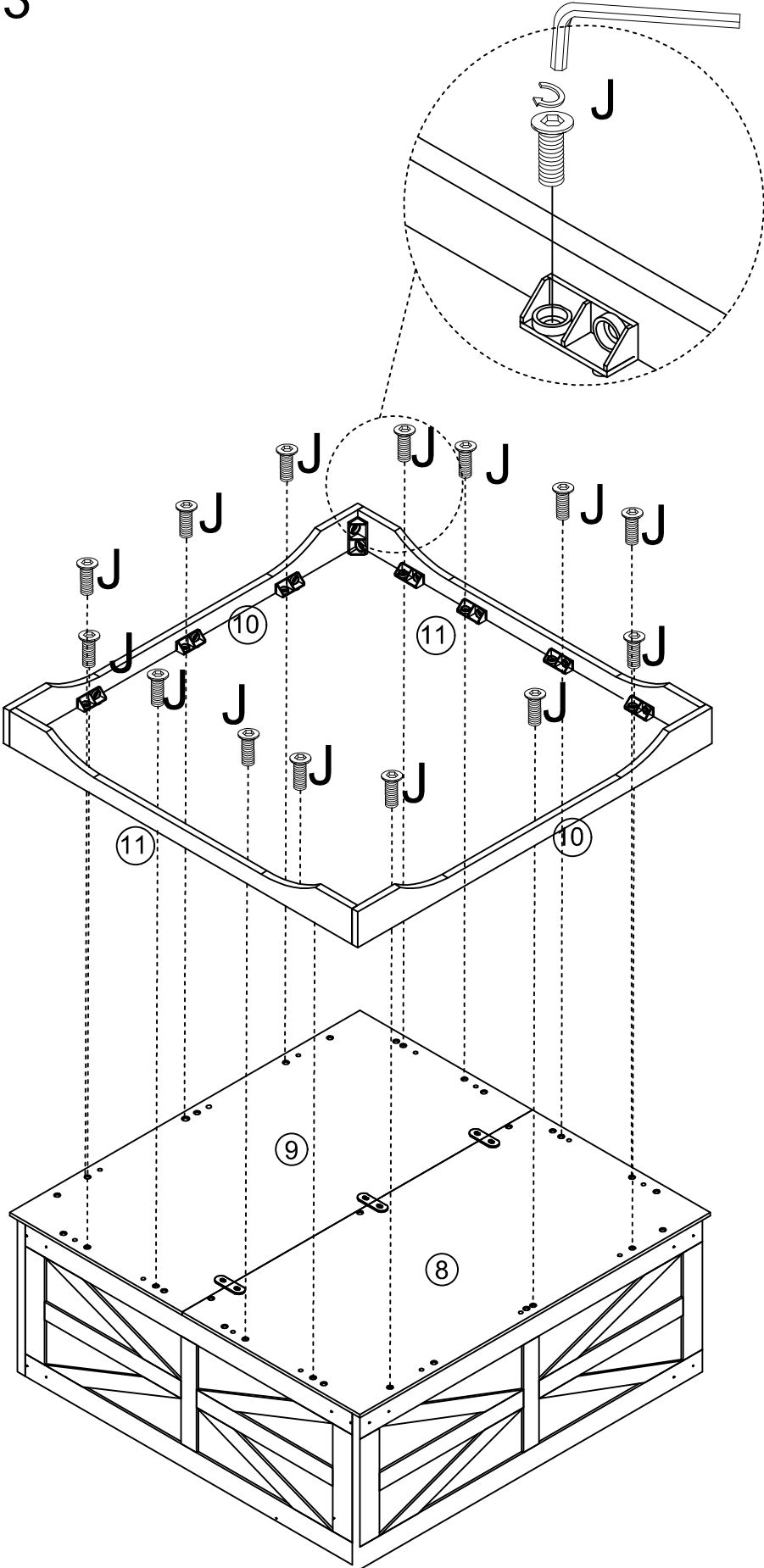
J

X1

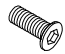
Step 12



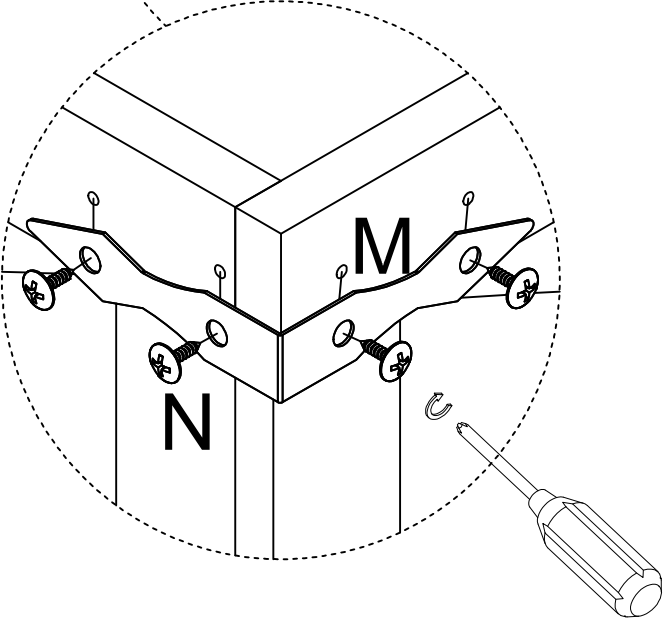
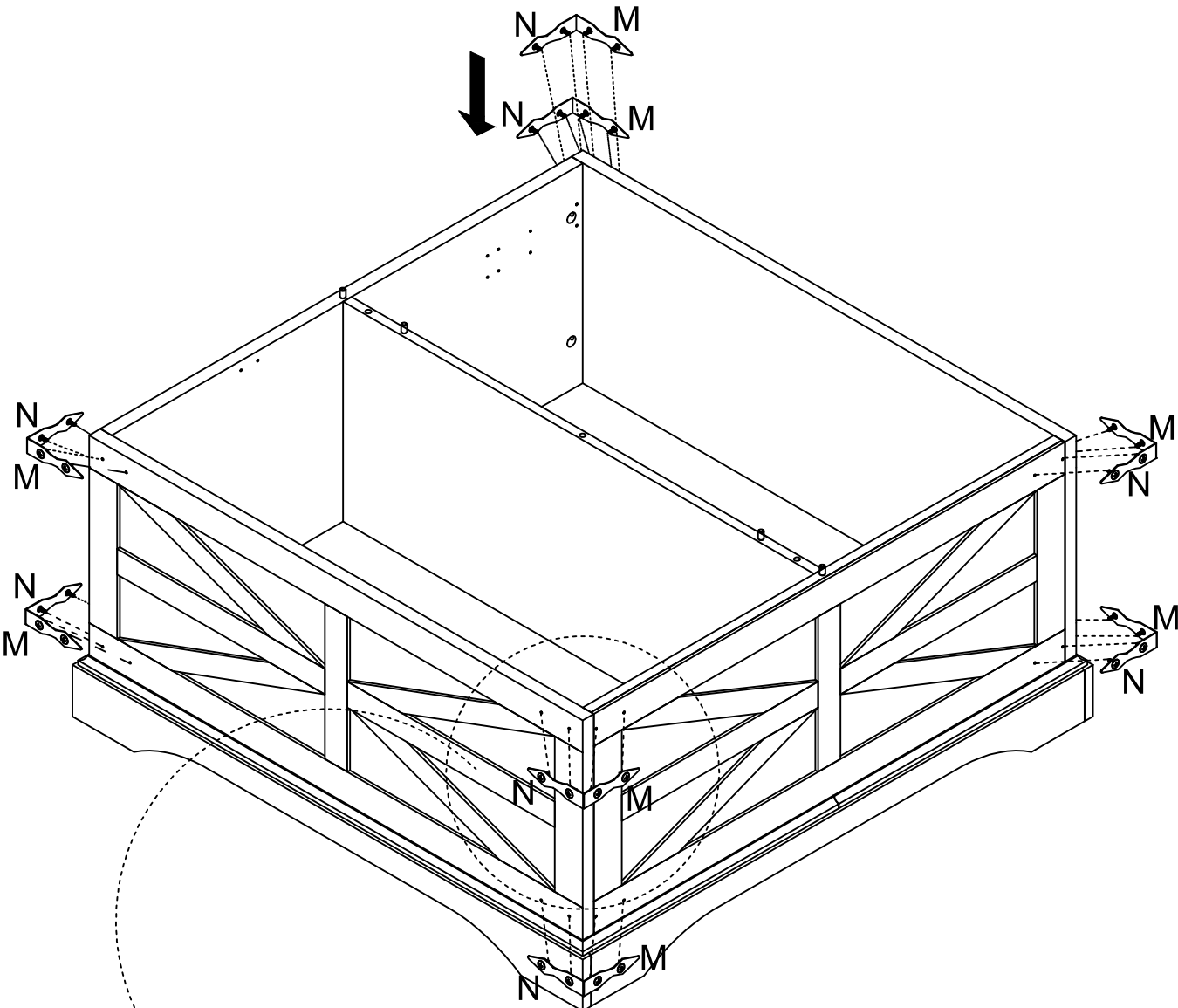
J

X2



Step 13



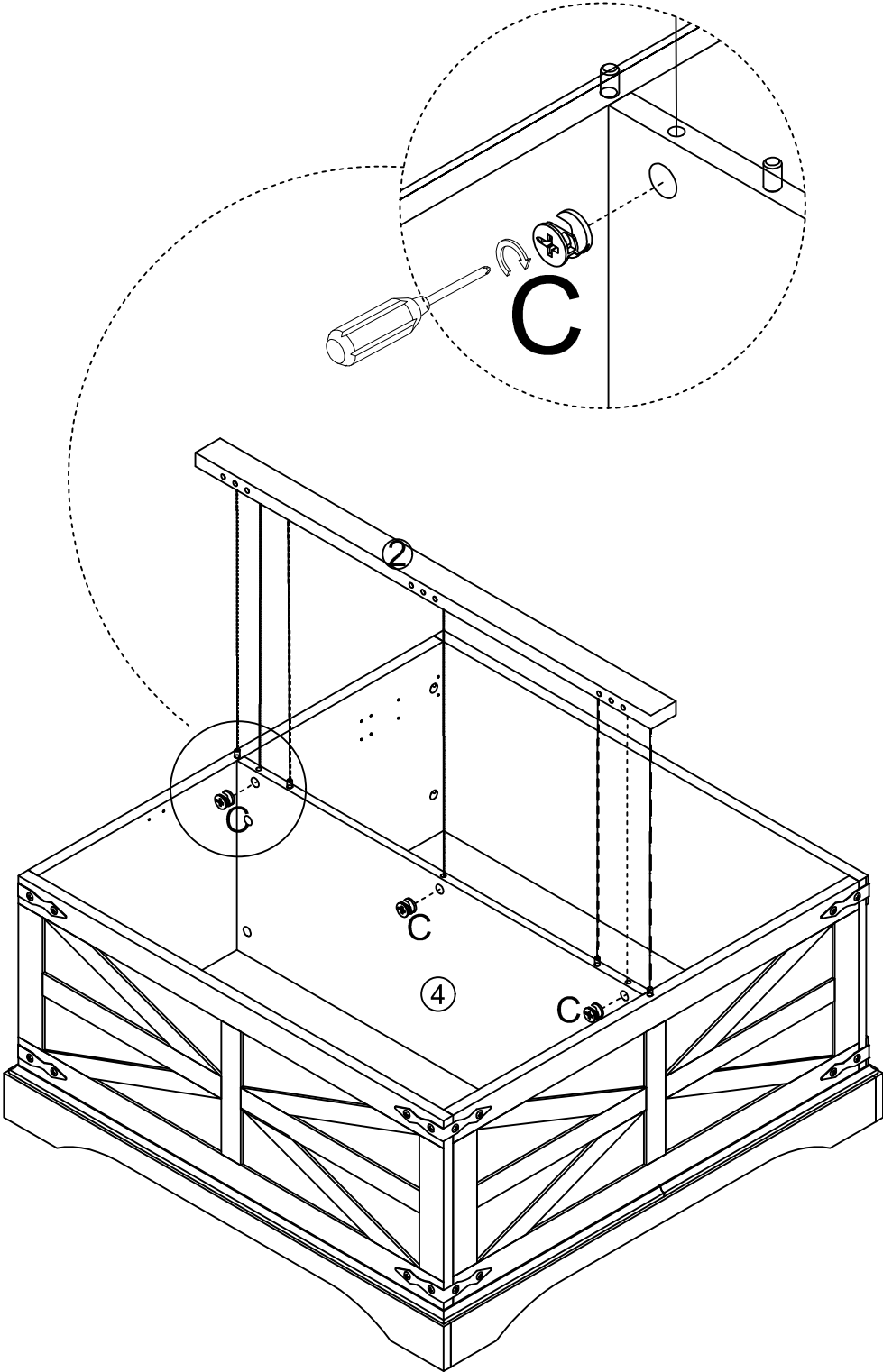
J

X14


Step 14



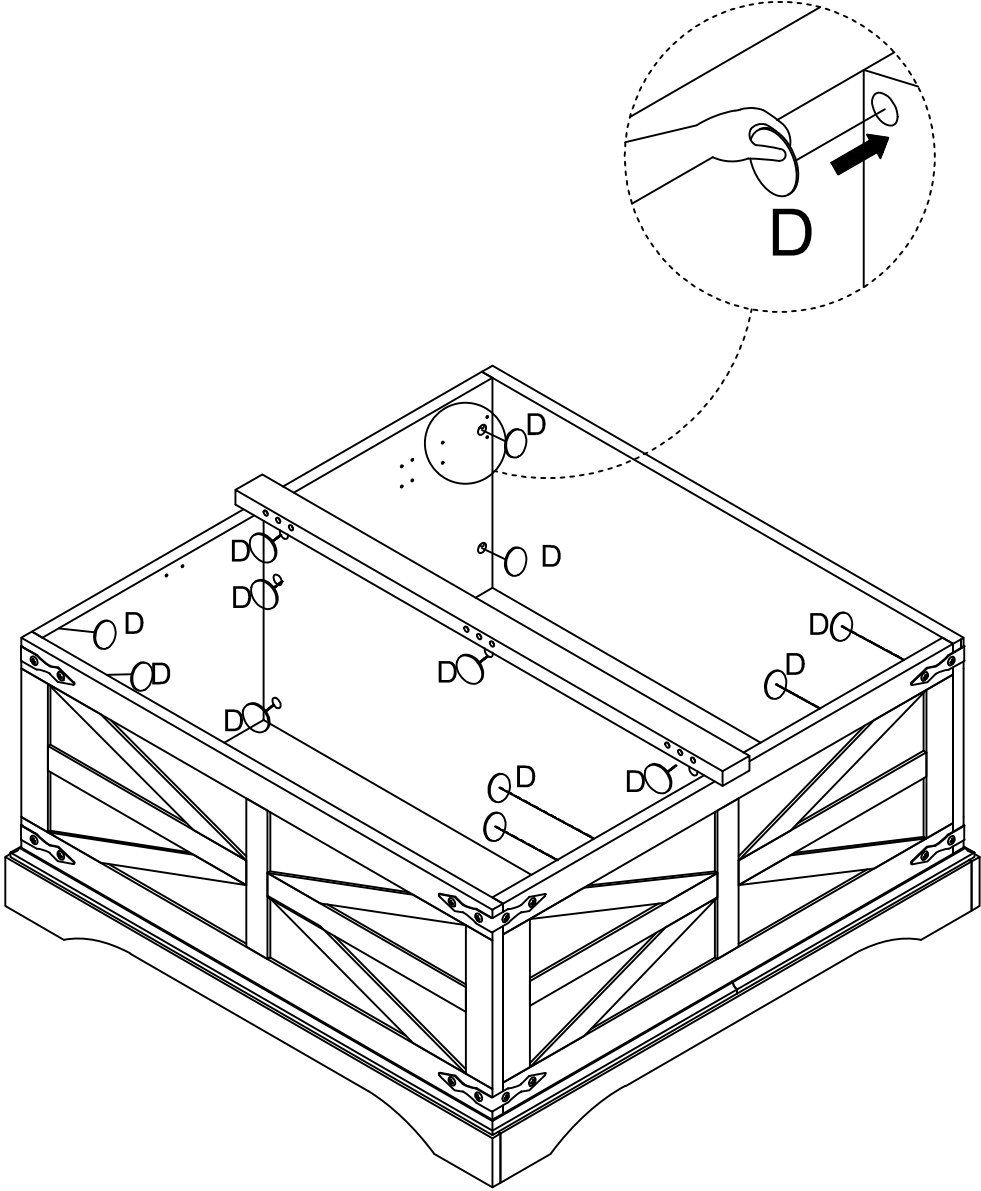
M	N
	
X8	X32

Step 15



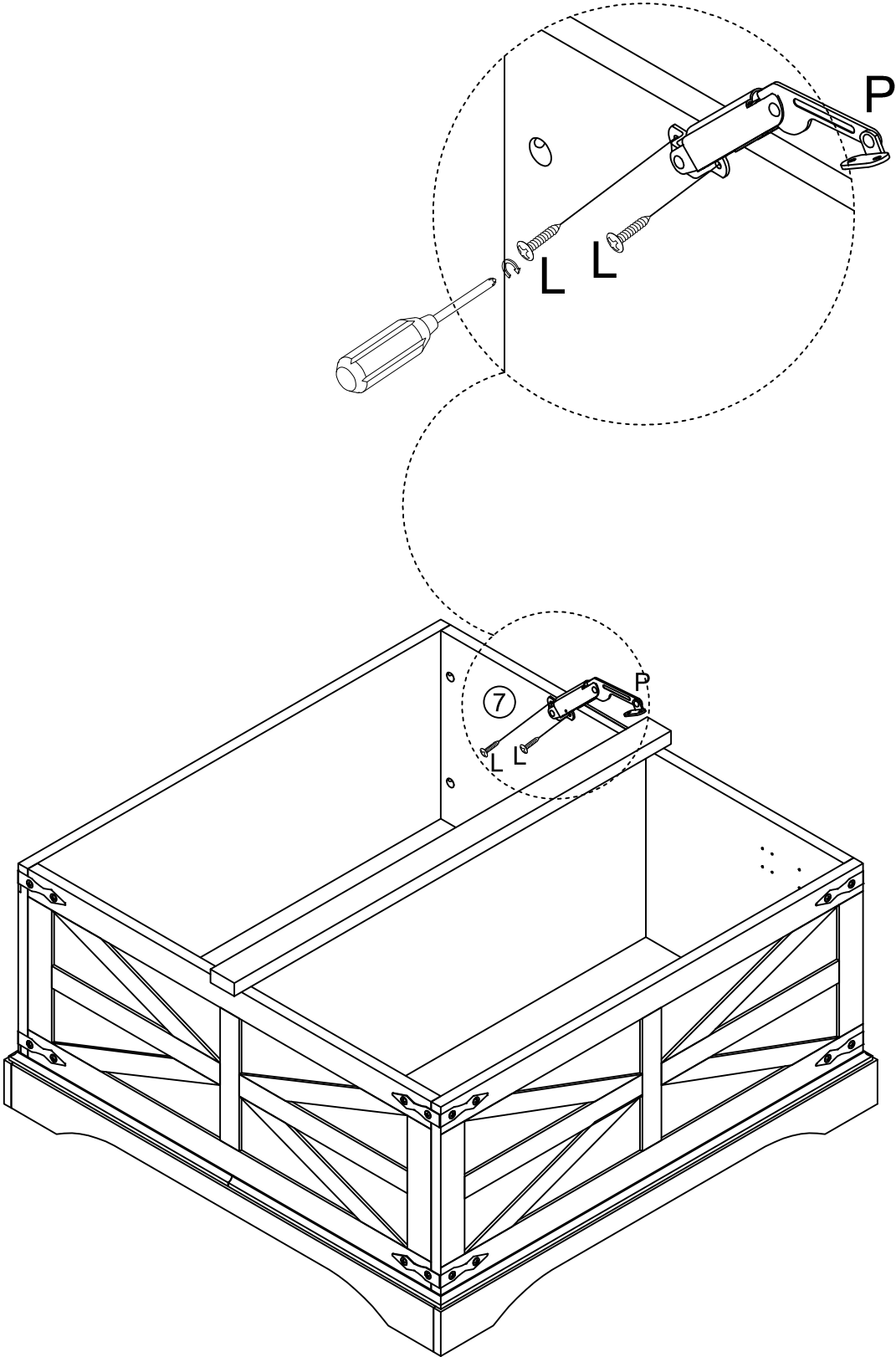
C

X3


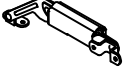
Step 16



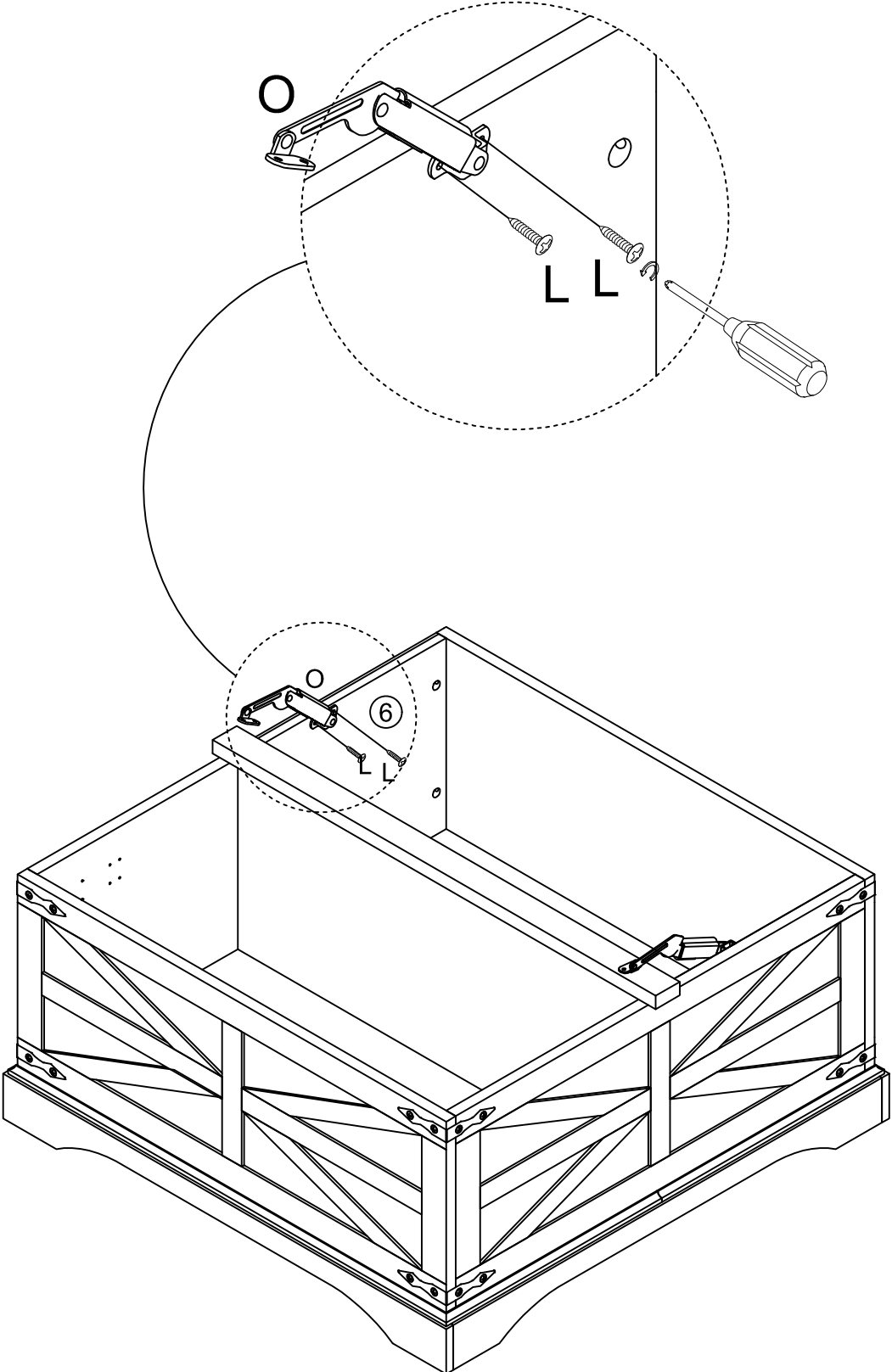
D
O
X15



Step 17



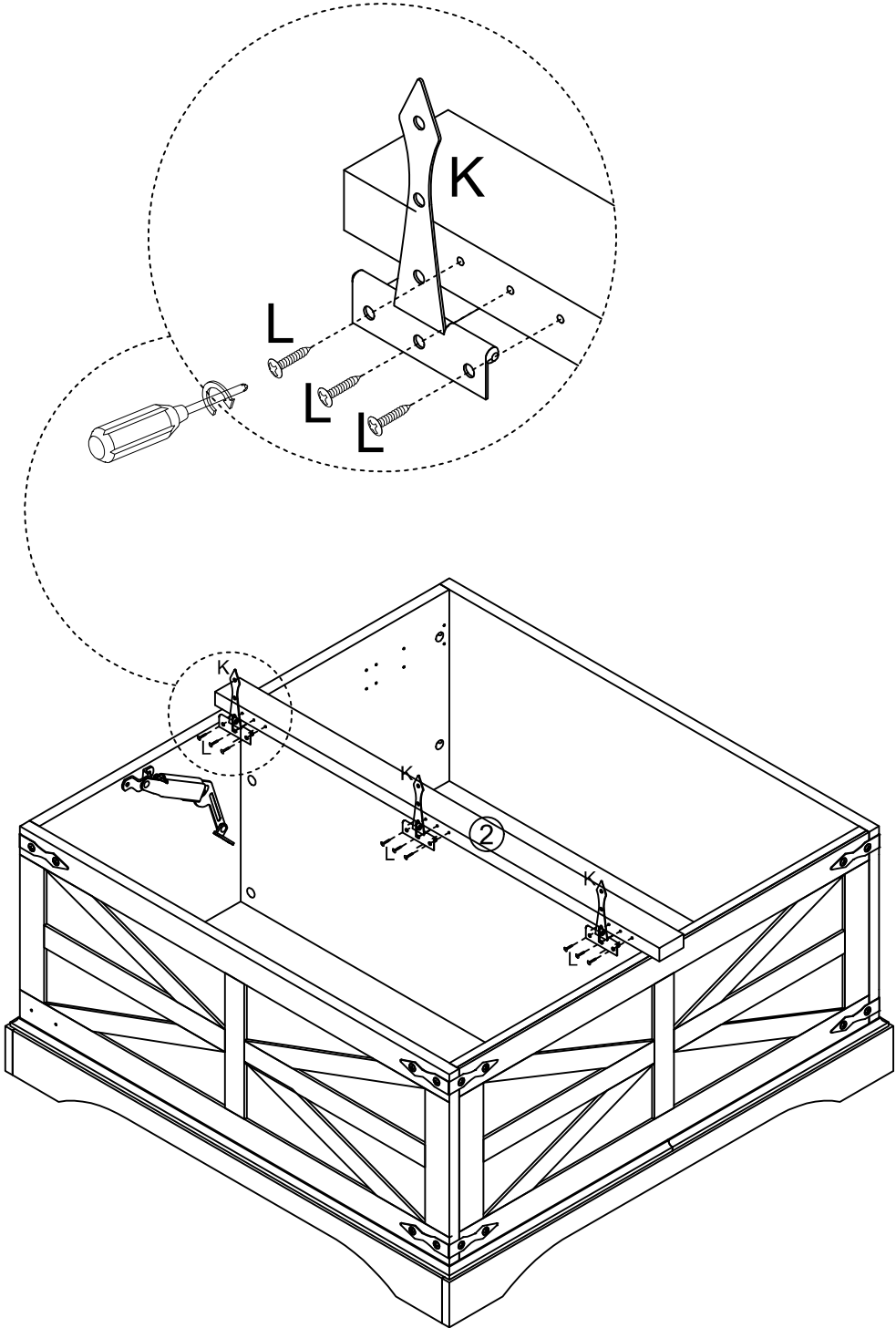
L	P
	
X2	X1



Step 18



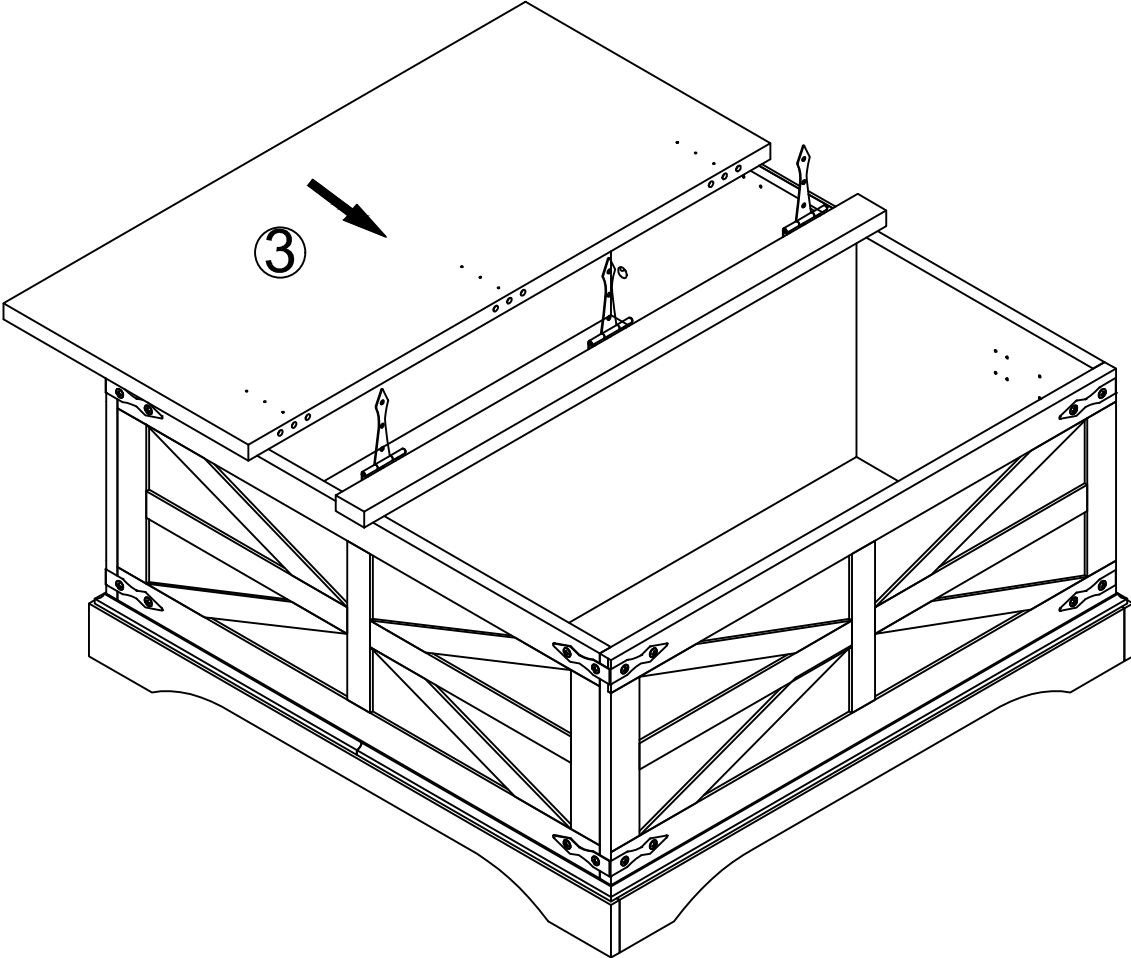
L	O
	
X2	X1

Step 19

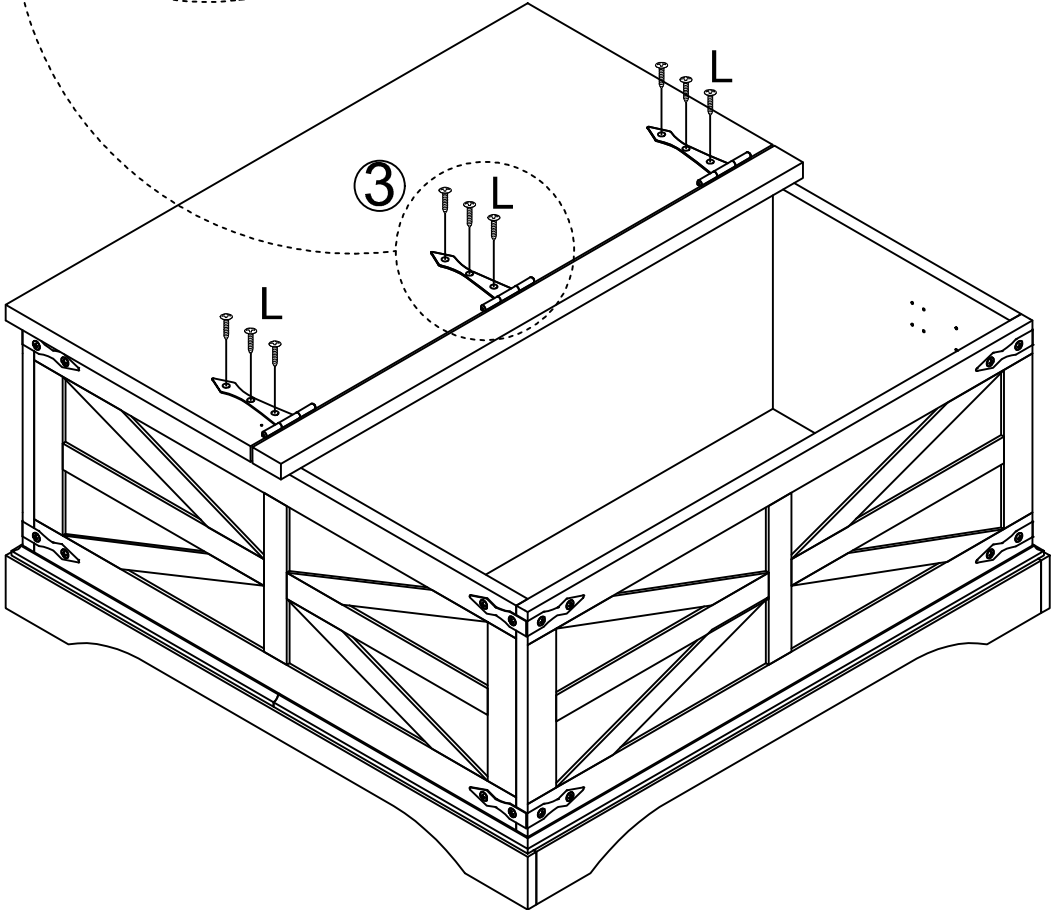
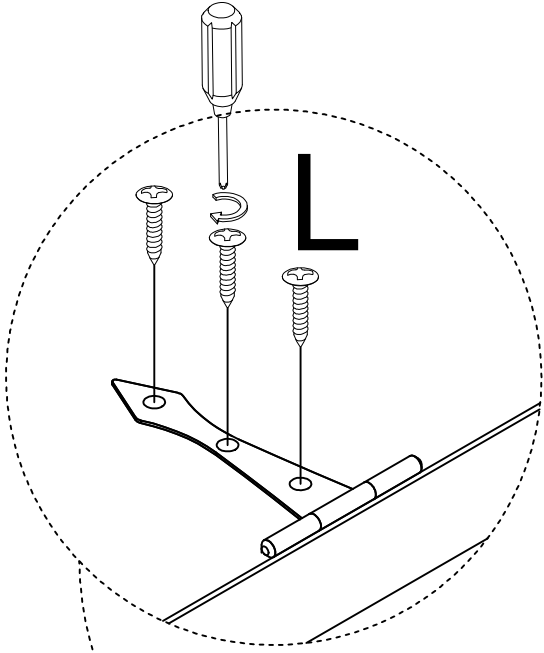



L	K
	
X9	X3

Step 20

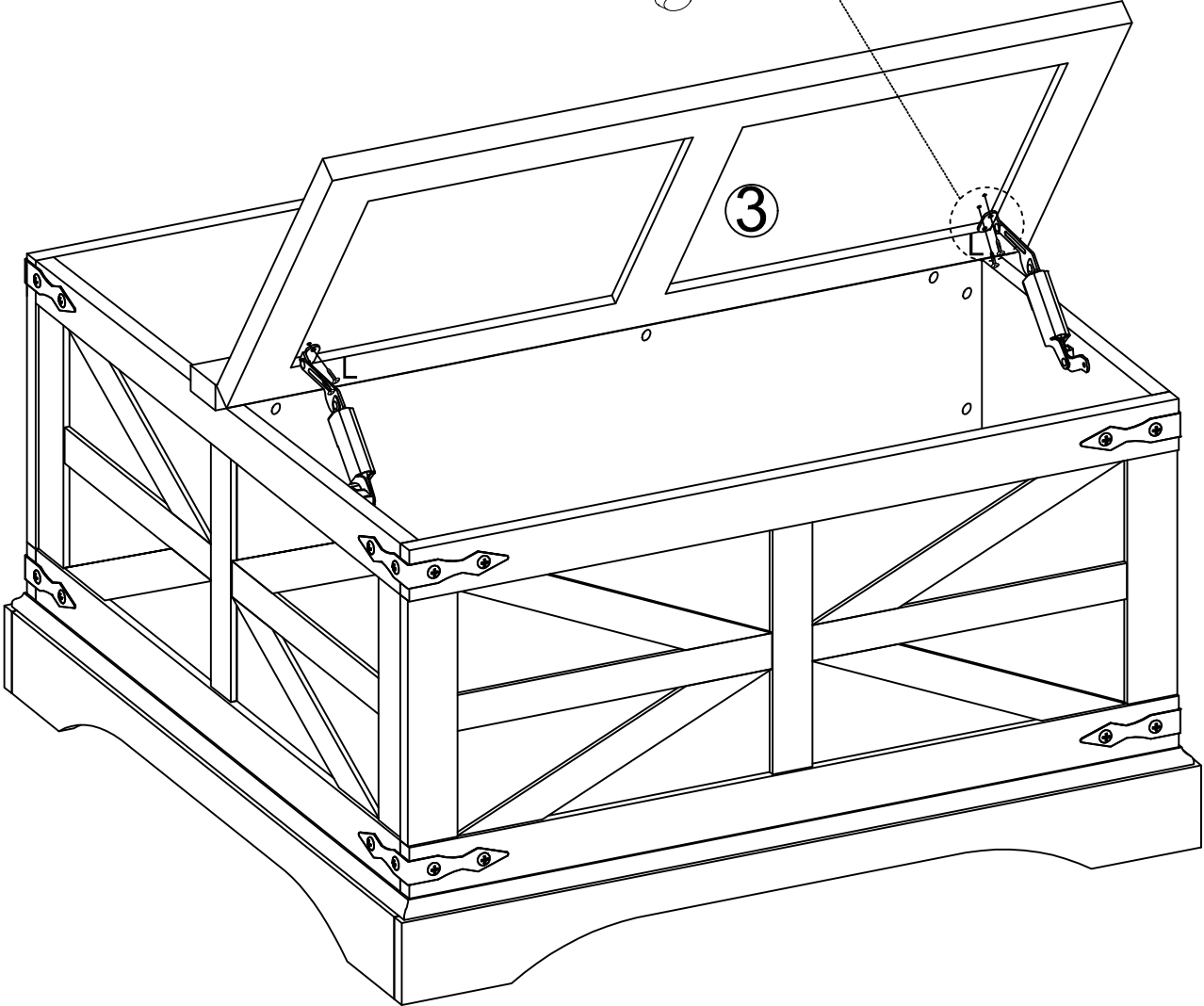
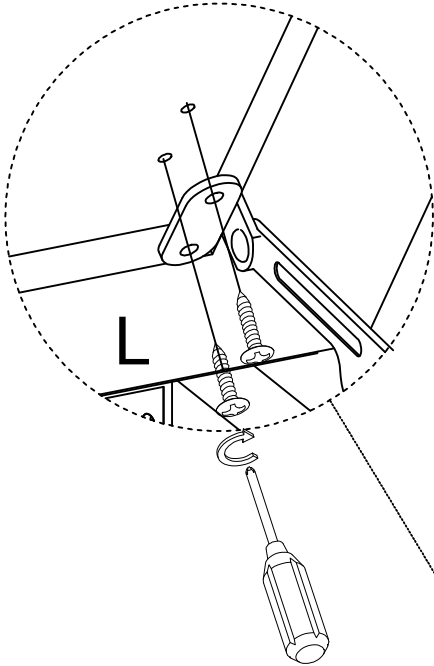



Step 21



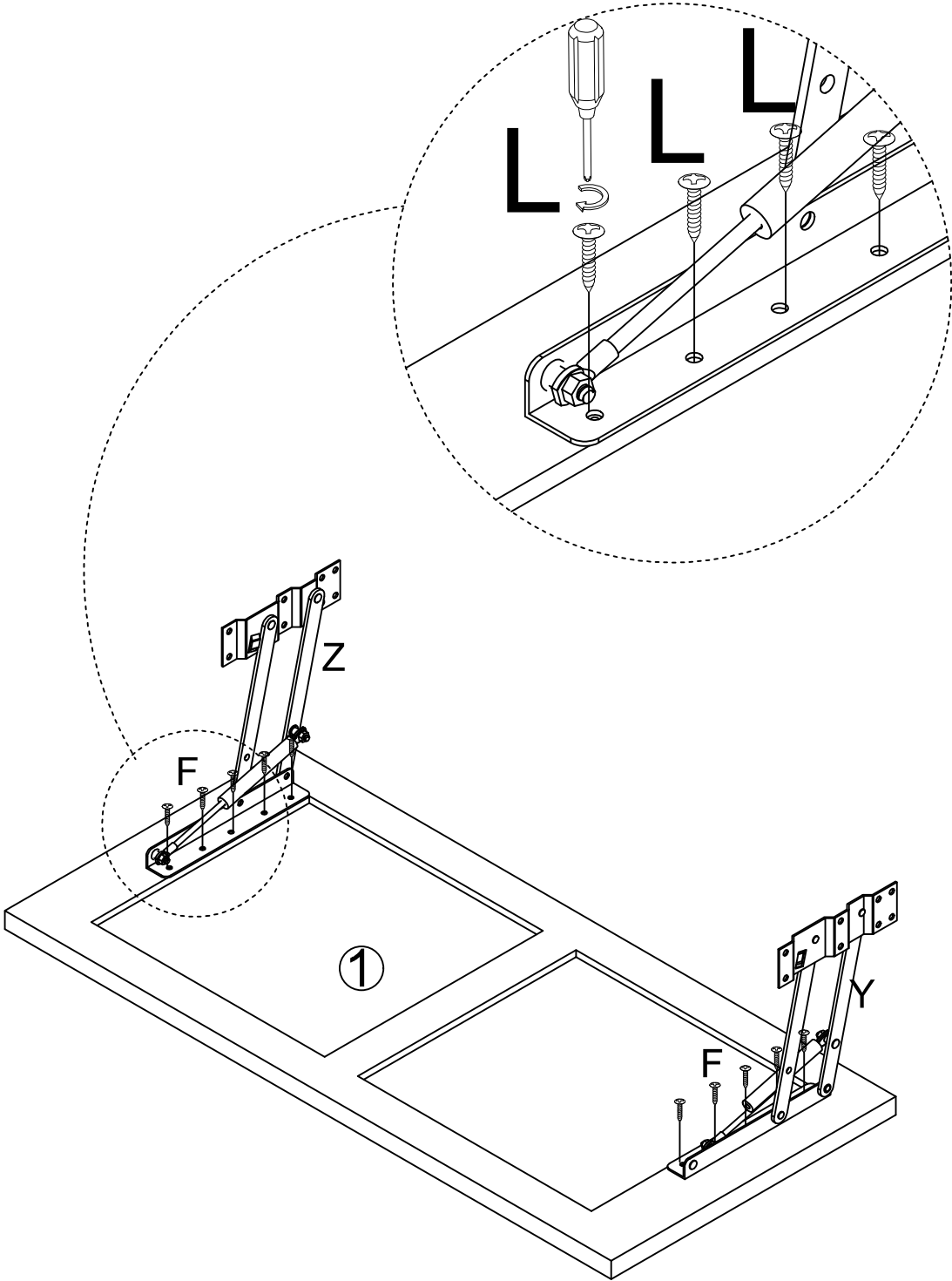
L

X9



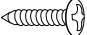
Step 22



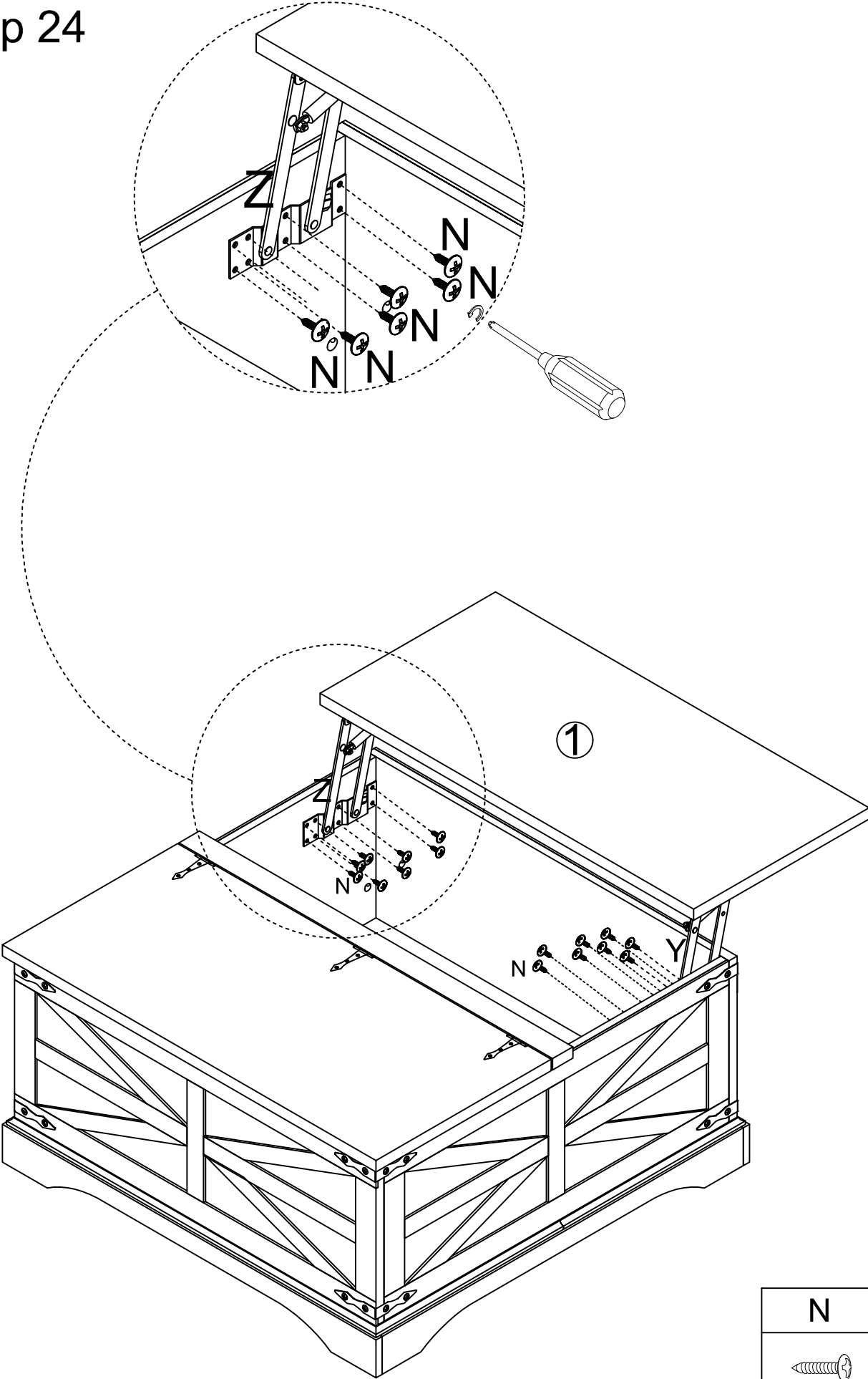
L

X4


Step 23



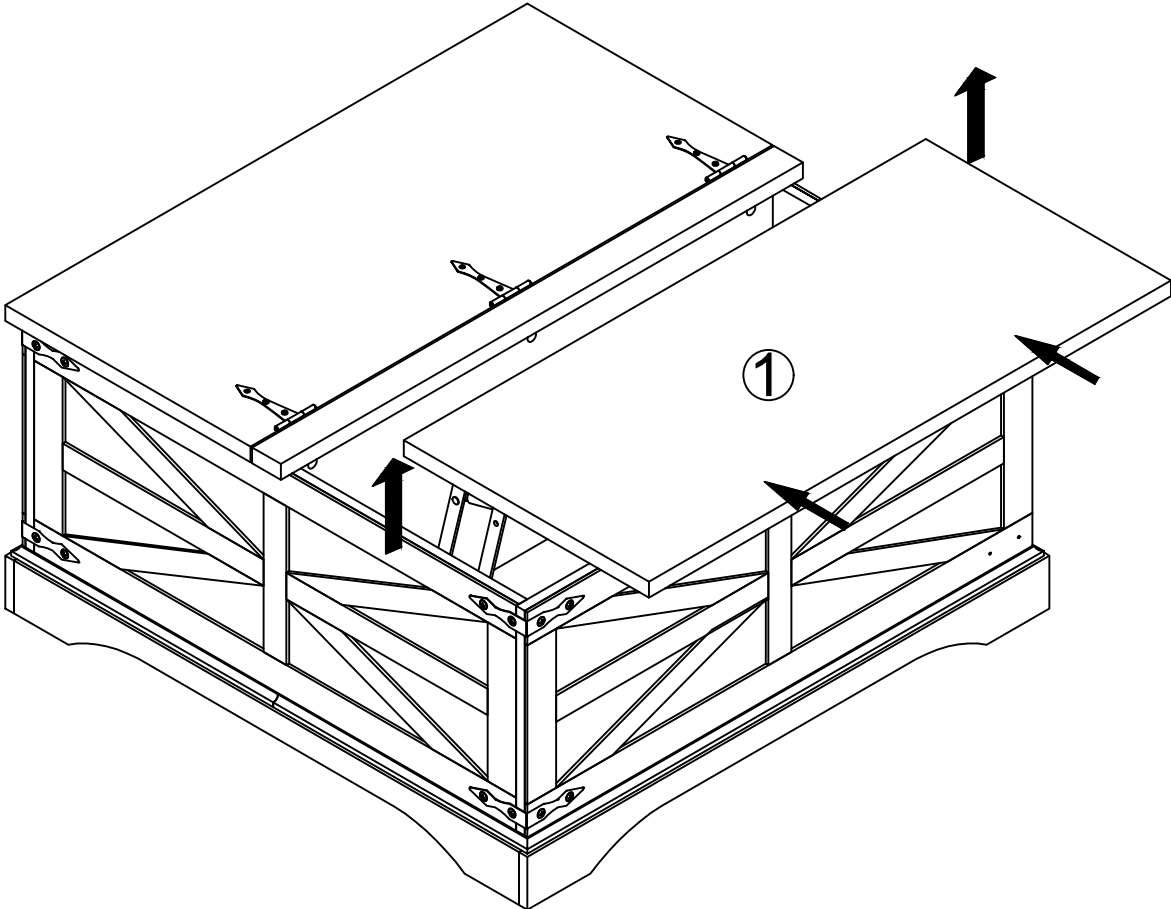
Y	Z	F
		
X1	X1	X10

Step 24



N

X16

Step 25



Step 26

