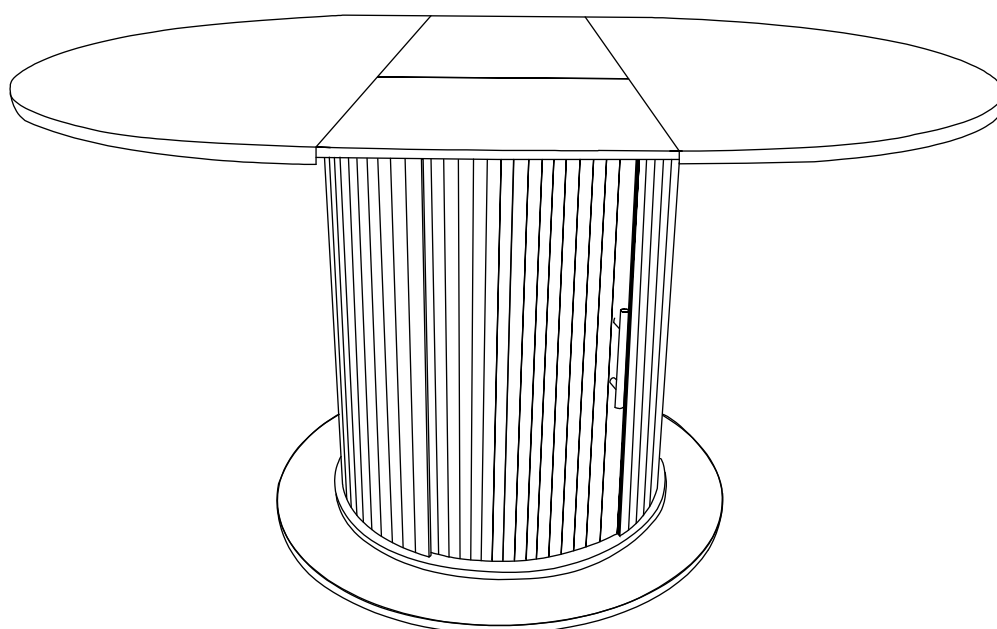
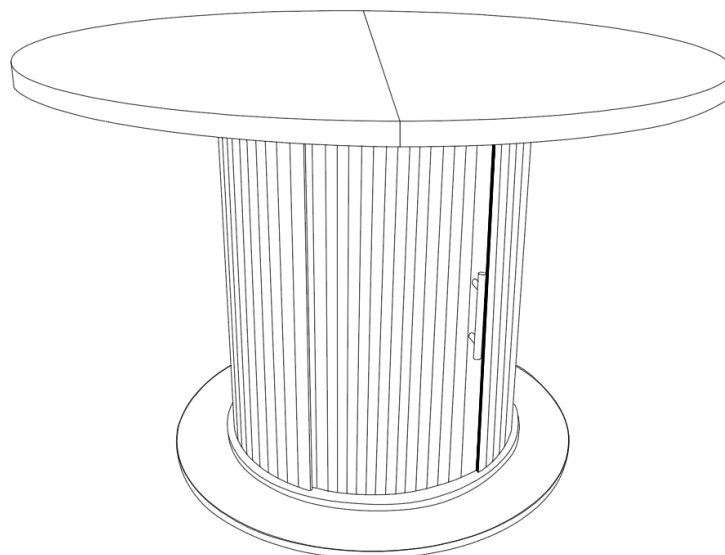


ASSEMBLING INSTRUCTION



Warm Tips:

If you experience any issues with damaged or missing parts, or notice a quality defect, we kindly ask you to share the part number along with photos of the issue. Once we have reviewed and confirmed the details, we will provide appropriate solutions, including arranging a replacement. We sincerely appreciate your understanding and patience! This instruction booklet contains important safety information. please read and keep for future reference.

TIPS BEFORE YOU START

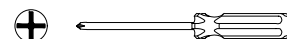
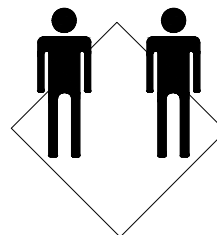
1. Before assembling your furniture, please check that all parts are present and laid out.
2. Before initiating each assembly step, please confirm required parts are identified.
3. Please ensure adequate space and assistance for safe assembly of large items.
4. We recommend assembling the product near its intended placement area to avoid relocation after assembly.
5. We recommend to place components on soft surfaces (e.g., carpet, blanket) during assembly to prevent damage of the item.
6. Please do not overtighten any fittings, as this may damage the product. We recommend hand-tightening rather than using power tools.
7. Please position fully assembled product on flat, stable surfaces with even support.
8. Please do not stand on or use this product as a step ladder.
9. Product is designed exclusively for indoor household use in non-industrial environments.
10. Please lift with proper body mechanics to prevent injury and product damage.

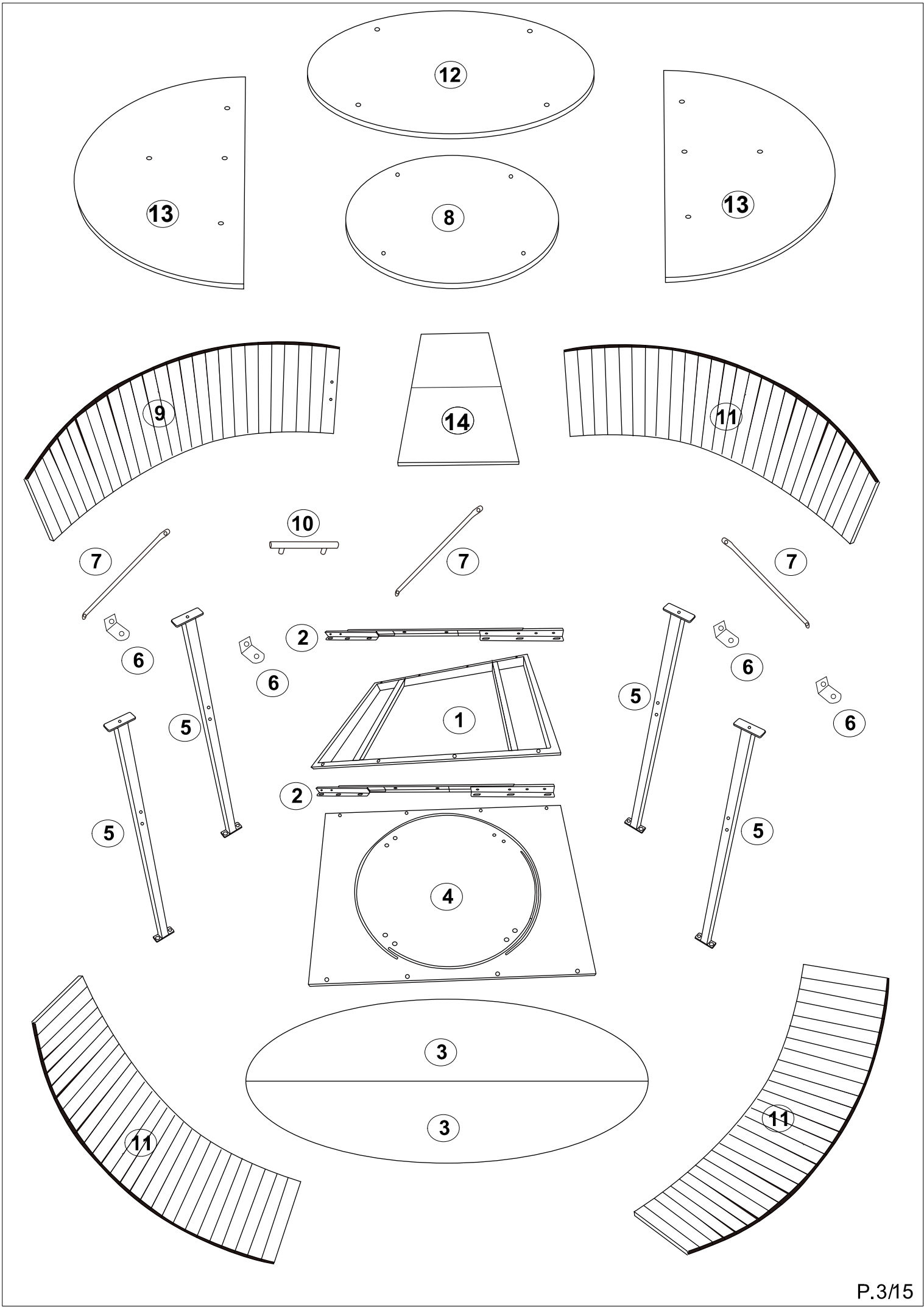
CARE AND MAINTENANCE OF YOUR FURNITURE

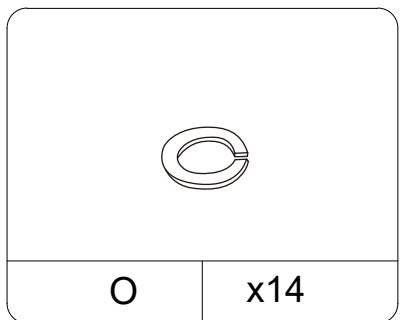
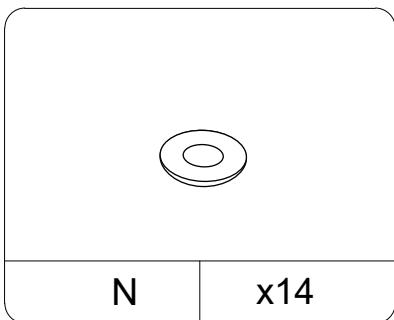
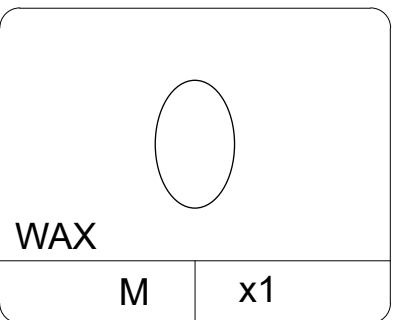
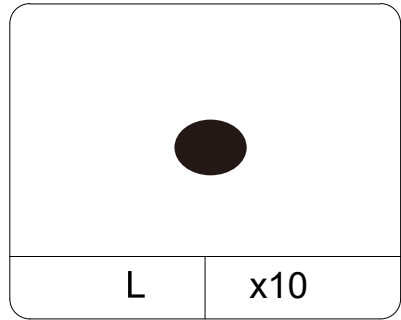
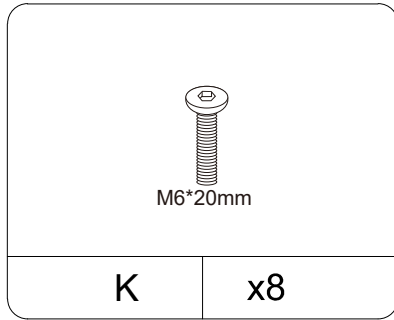
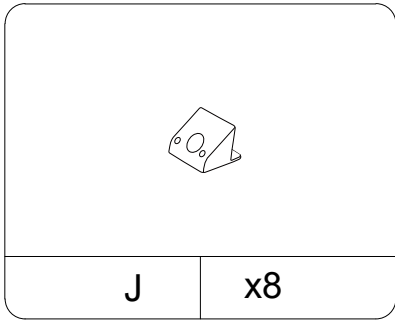
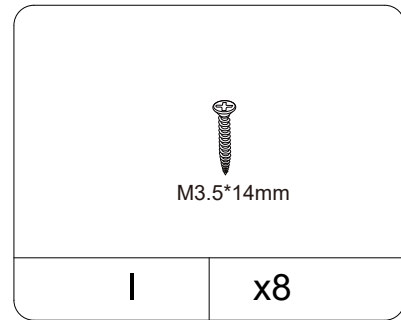
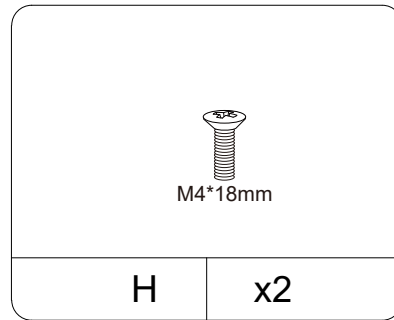
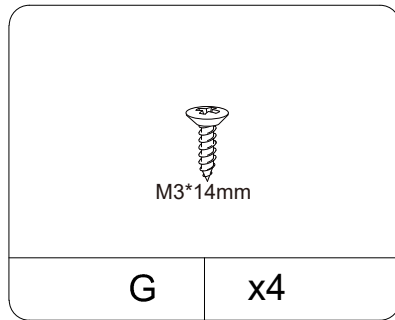
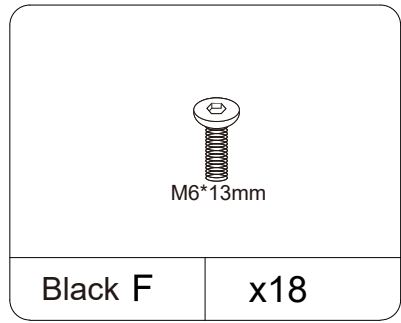
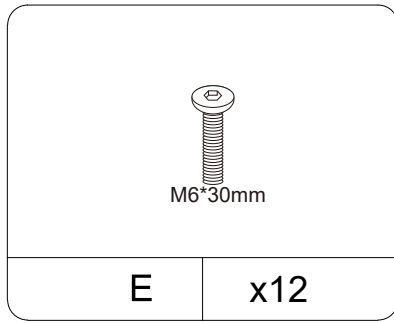
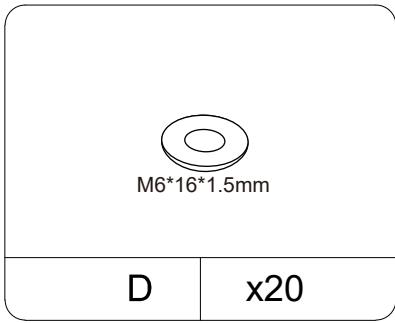
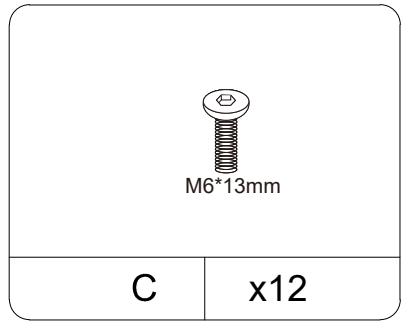
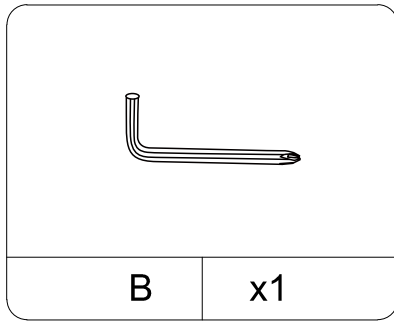
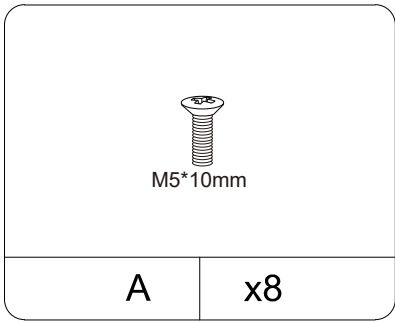
- Periodically inspect and retighten all fittings as needed to maintain structural integrity.
- Periodically inspect all screws and retighten if necessary to maintain product stability.
- For optimal glass cleaning, apply a dedicated glass cleaner using a microfiber cloth to prevent streaks.
- Avoid liquid contact to prevent structural warping and surface delamination; immediately wipe any spills.
- Avoid placing hot objects (e.g., hot beverages) directly onto surfaces to prevent thermal shock and permanent discoloration.
- Lift the unit with multiple personnel using proper technique; dragging or pushing risks structural failure and injury.

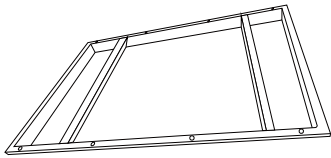
ASSEMBLY REQUIREMENTS

- Equipment: phillips head screwdriver.
- 2 x adults required.
- 2m x 2m assembly space required.
- 1.5 hour assembly time approx.









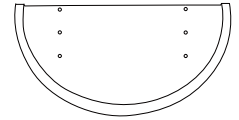
1

x1



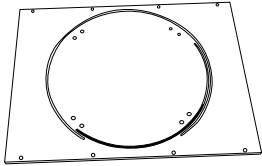
2

x2



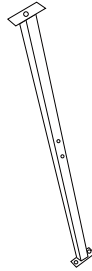
3

x2



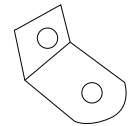
4

x1



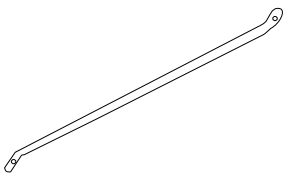
5

x4



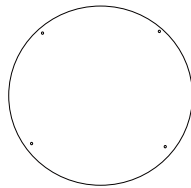
6

x4



7

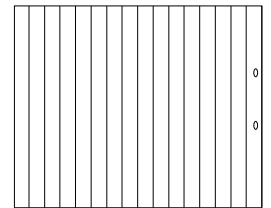
x3



47cm

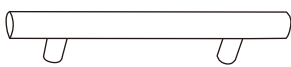
8

x1



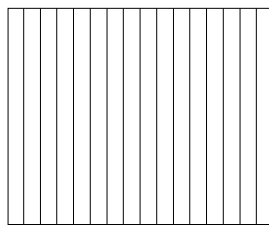
9

x1



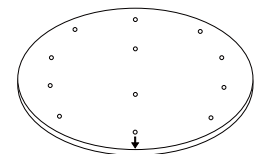
10

x1



11

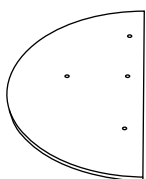
x3



60cm

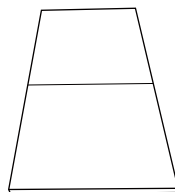
12

x1



13

x2





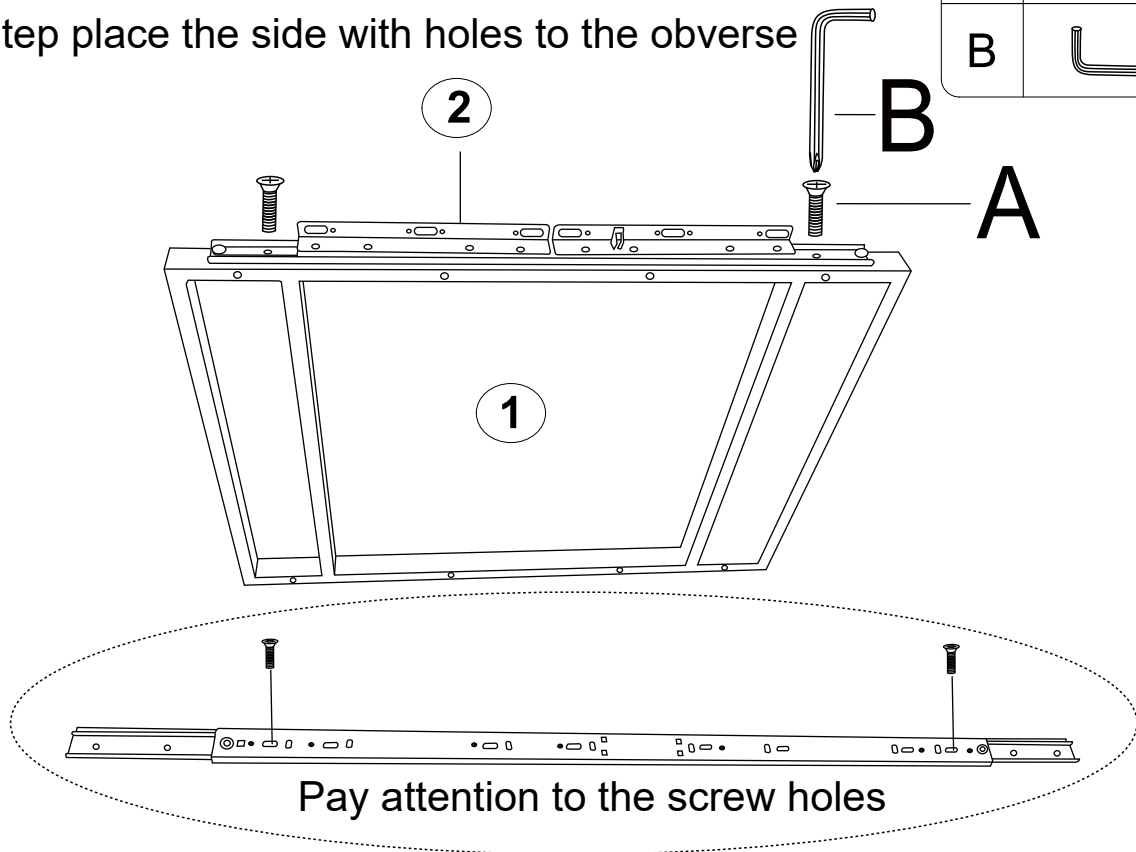
14

x1

Step:1

This step place the side with holes to the obverse

A	 M5*10mm	X4
B		X1





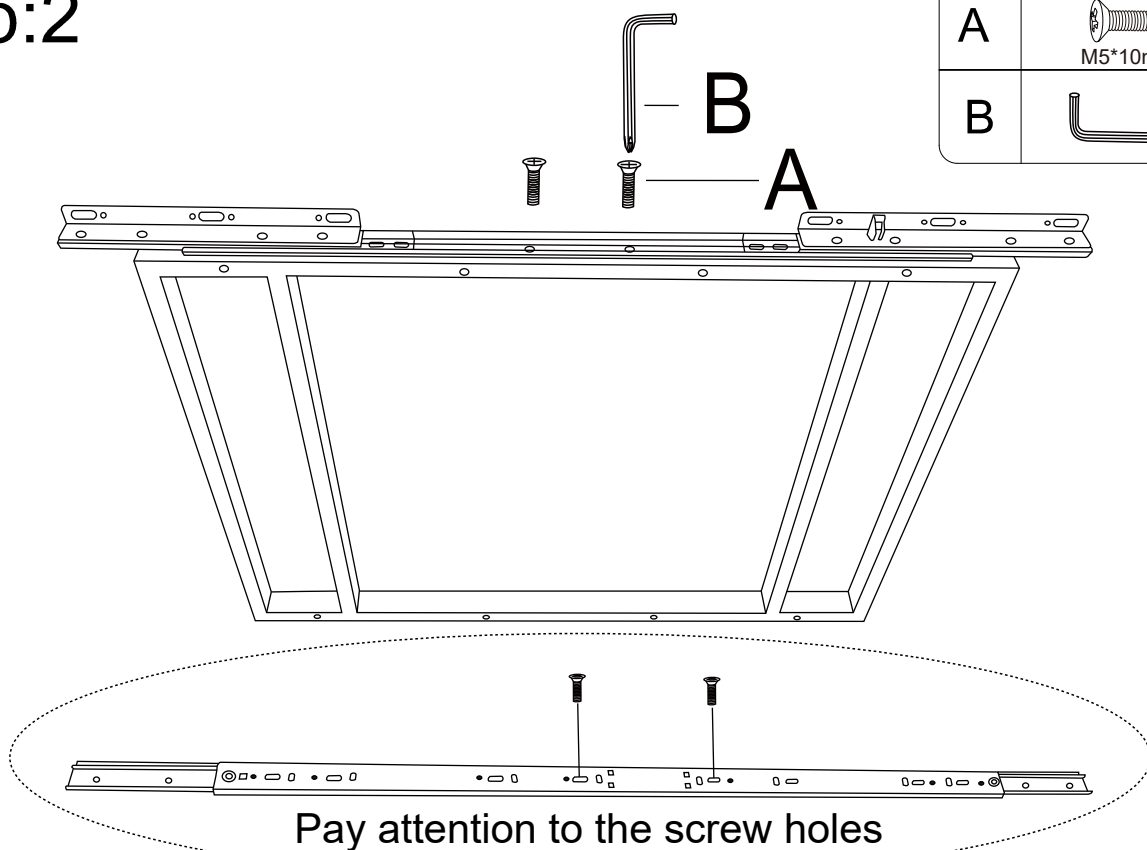
Pay attention to the screw holes

Both side same assembly

x2

Step:2

A	 M5*10mm	X4
B		X1



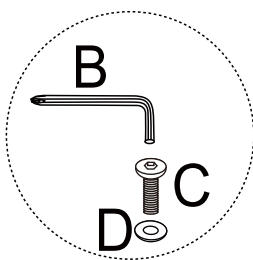
Pay attention to the screw holes

This step place the side with holes to the obverse

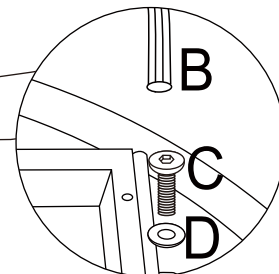
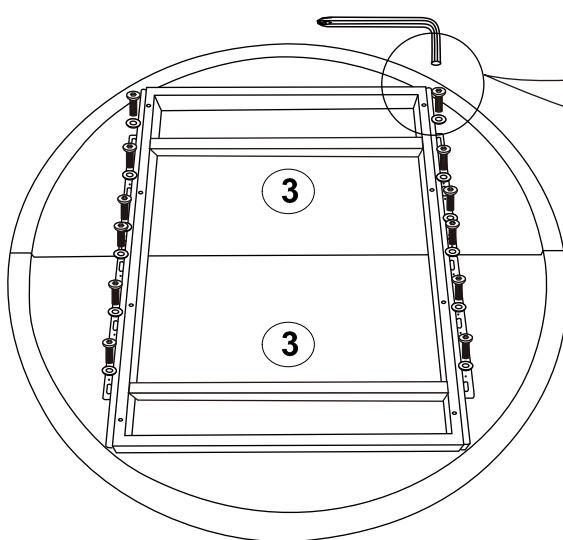
Both side same assembly

x2

Step:3



B		X1
C	 M6*13mm	X12
D	 M6*16*1.5mm	X12

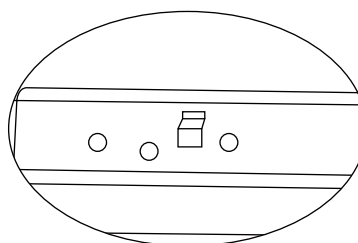
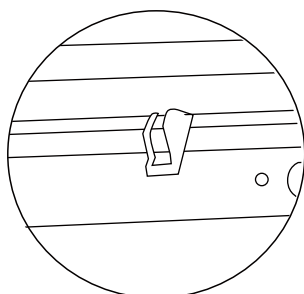
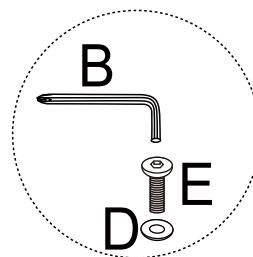


Assemble metal frame to the table top when the two plates are completely closed

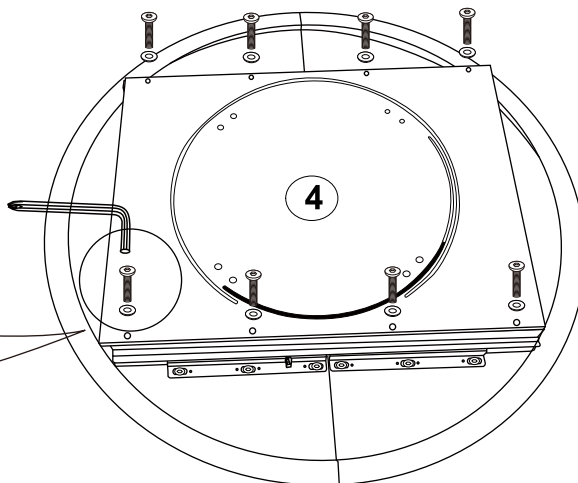
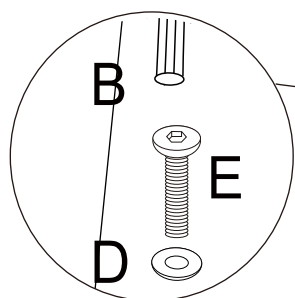
Step:4

Unlock

Locked

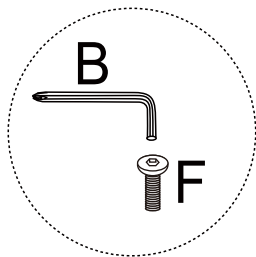


B		X1
E	 M6*30mm	X8
D	 M6*16*1.5mm	X8

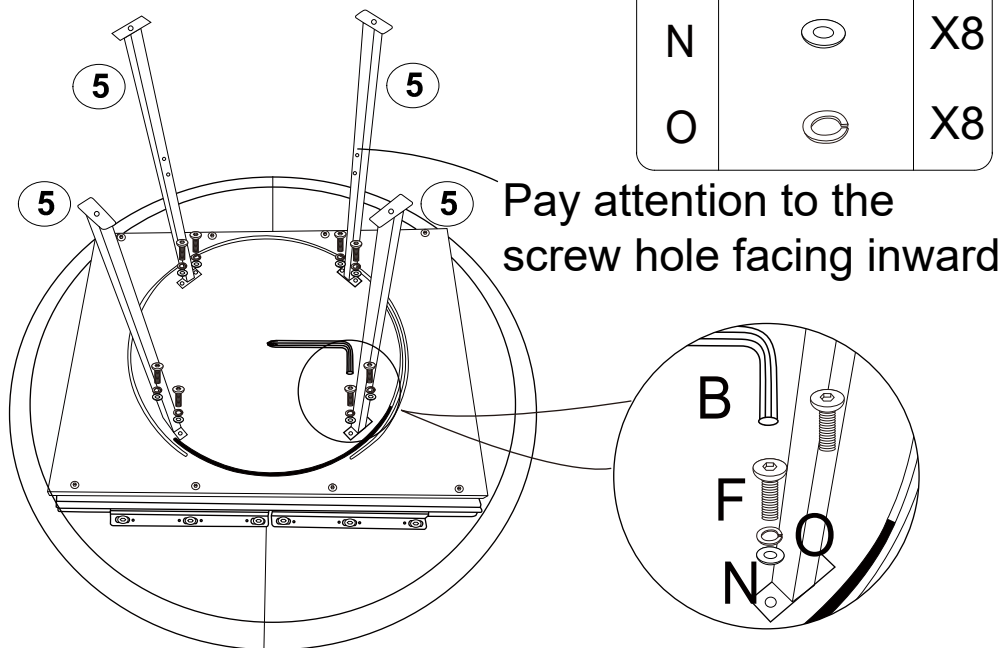


This step the lock should be locked

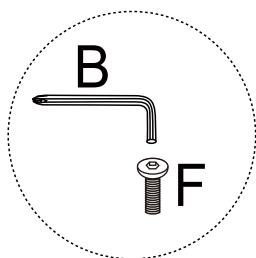
Step:5



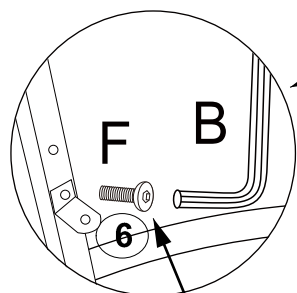
B		X1
F		X8
N		X8
O		X8



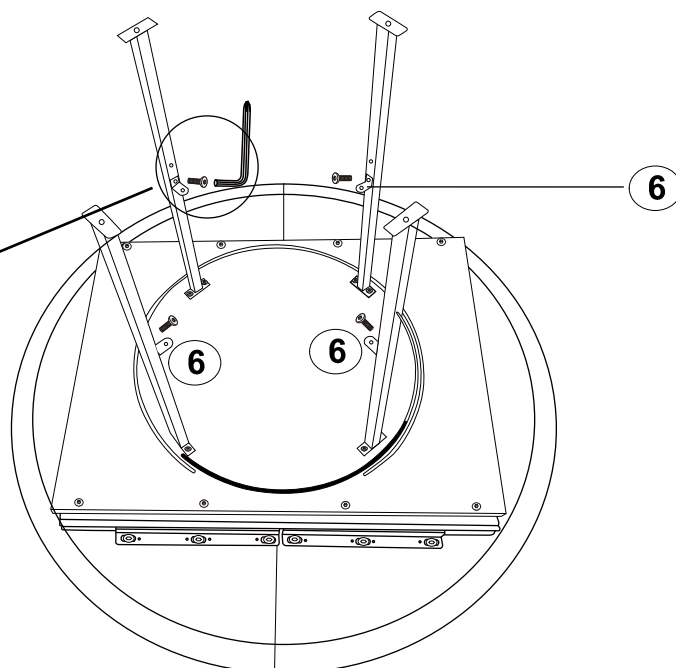
Step:6



B		X1
F		X4



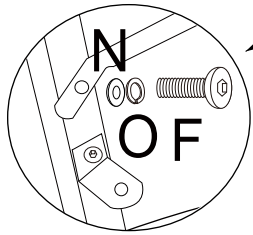
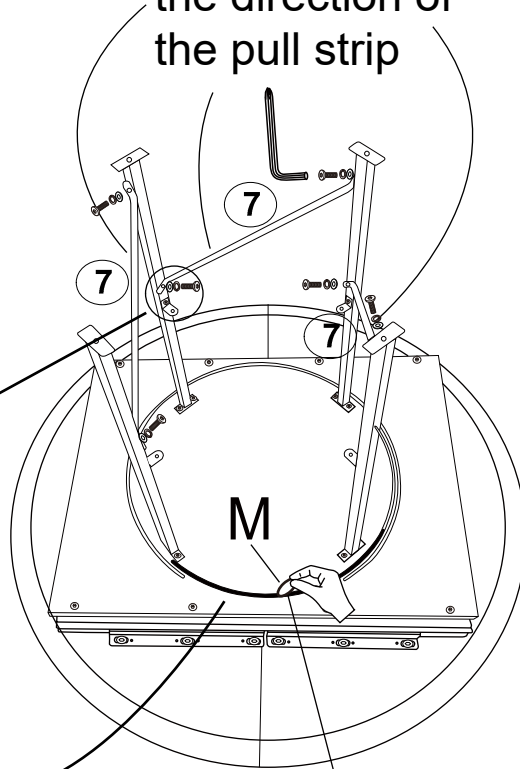
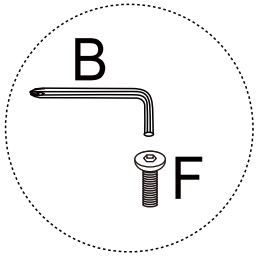
Don't 100% screw down, 70% this step



Step:7

Pay attention to the direction of the pull strip

B		X1
F		X6
M		X1
N		X6
O		X6

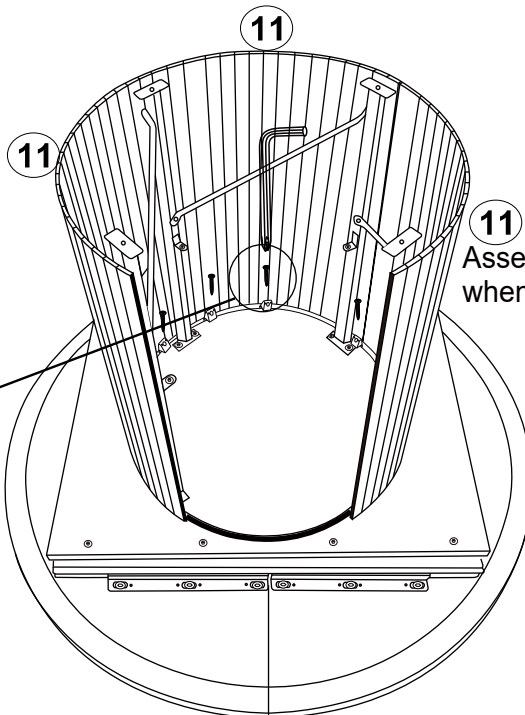
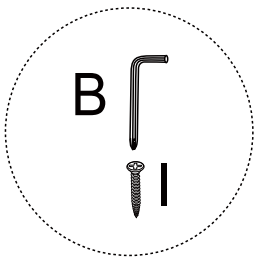


Attention: Doors should be installed here, do not install iron braces

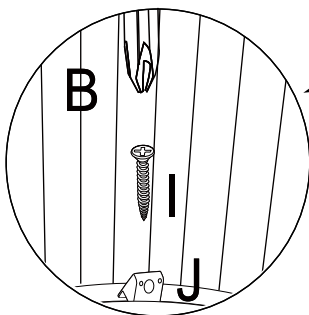
Waxing inside the groove

Step:8

B		X1
I		X4
J		X4





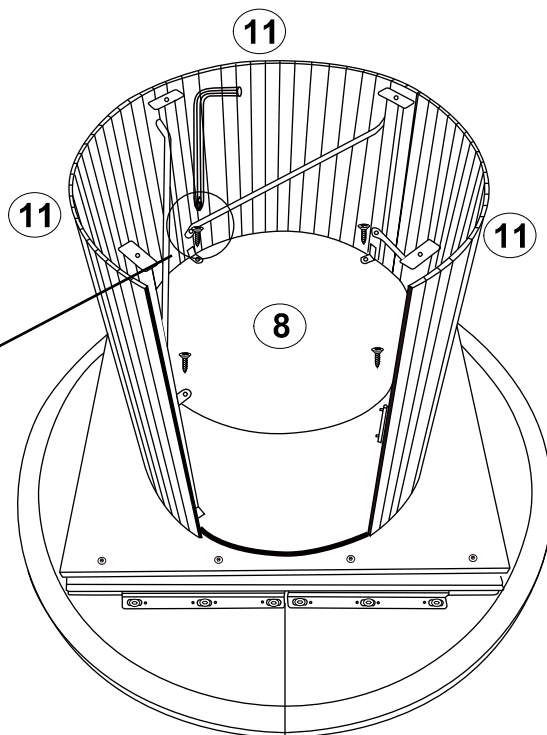
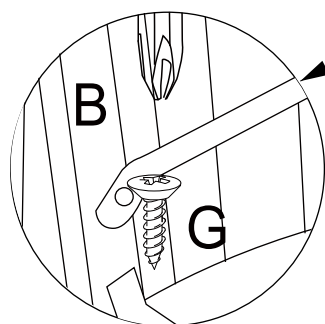
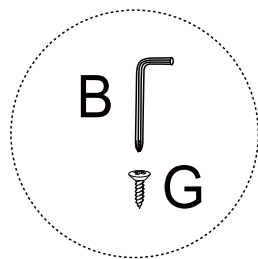
Assemble metal frame to the table top when the two plates are completely closed






When assemble the 4 clips, pay attention to the installation position. don't put them in the door panel slot, otherwise it will affect the installation of door No. 9 and its open-close sliding.

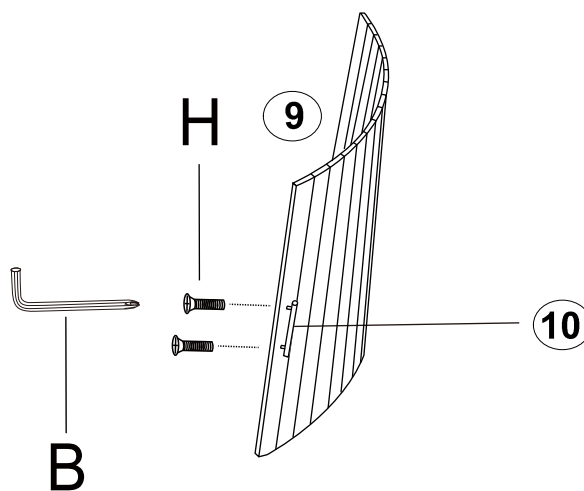
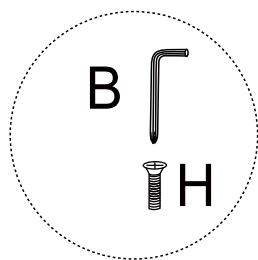
Step:9

B		X1
G	 M3*14mm	X4



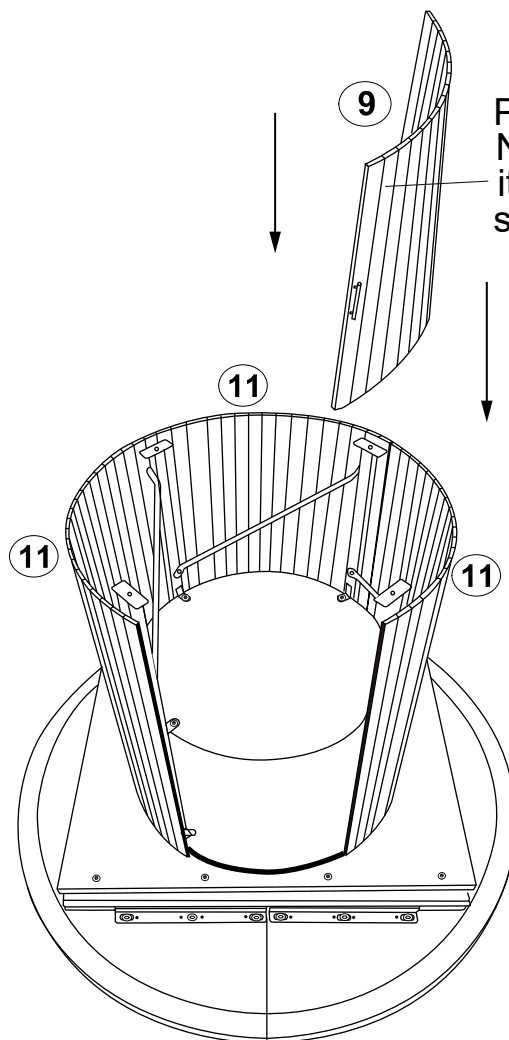
Step:10

B		X1
H	 M4*10mm	X2
M	 WAX	X1



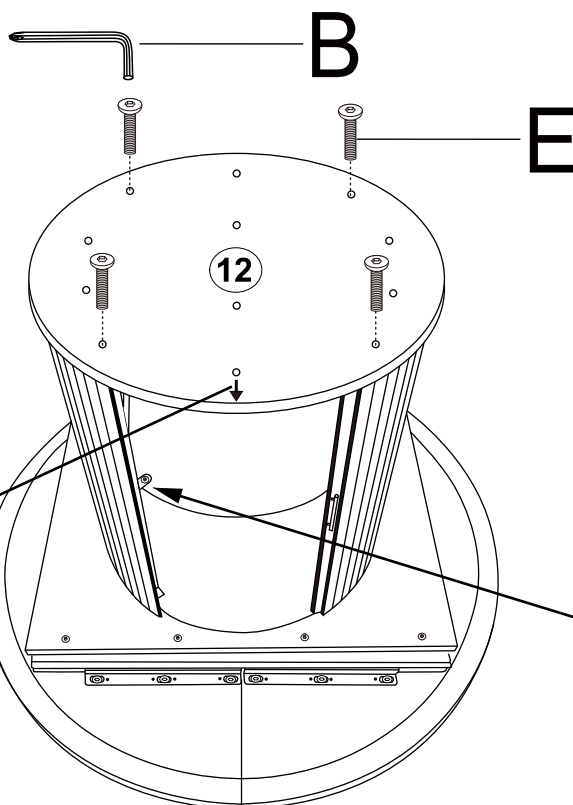
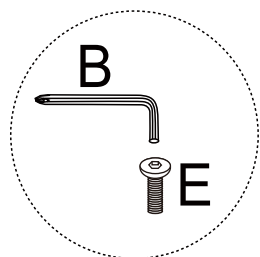
Both the upper and lower sides need to be waxed

Step: 11



Place the handle of sliding door No. 9 on the left side and insert it into the slot next to the inner side of board No. 11

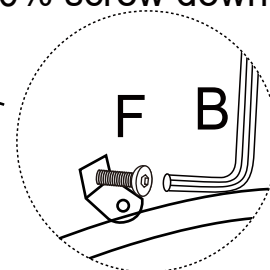
Step:12



B		X1
E		X4


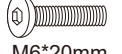
The arrow direction should be aligned with the sliding door.

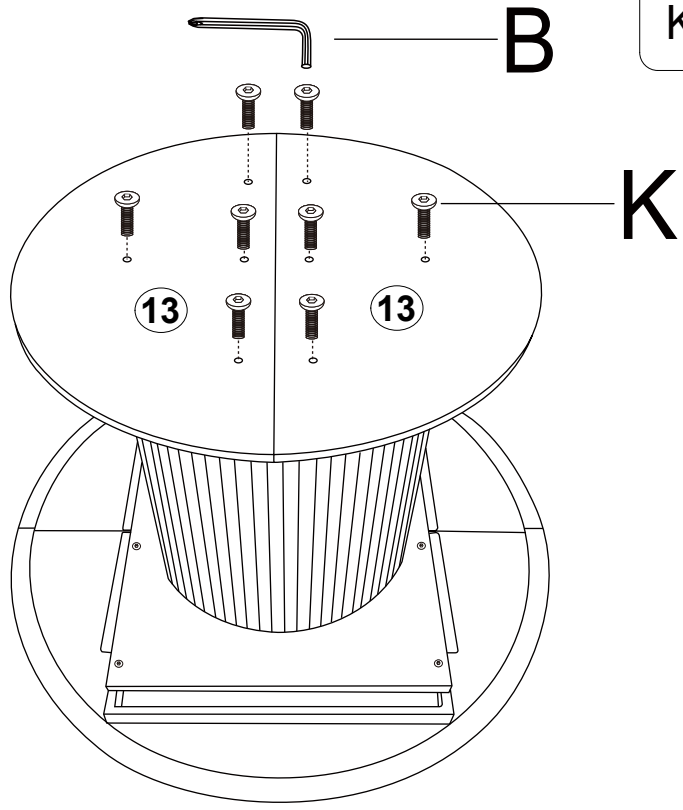
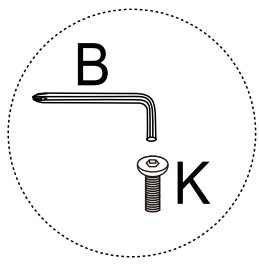
After assembled Board No. 12, 100% screw down No F




When the holes do not match, you can move the metal tube to make the holes match

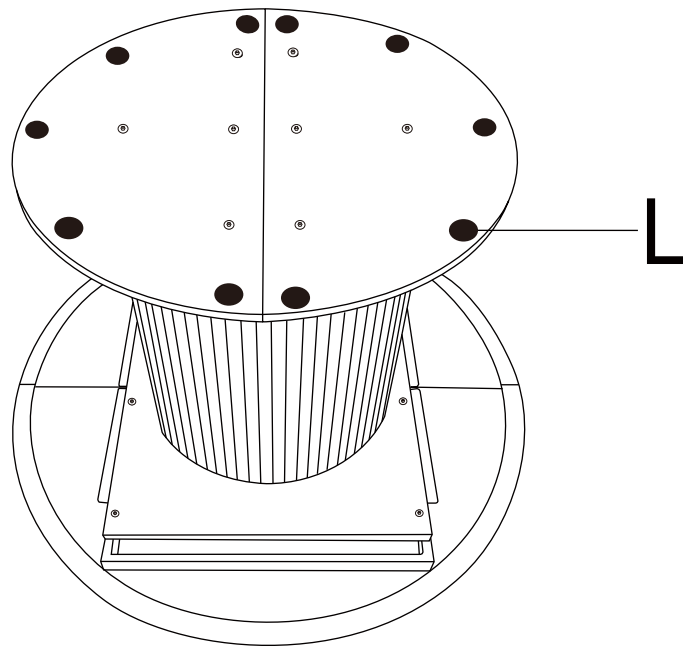
Step: 13

B		X1
K	 M6*20mm	X8



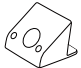


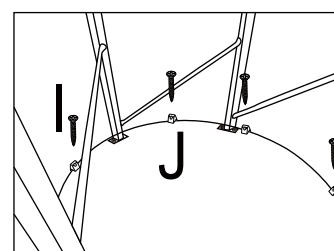
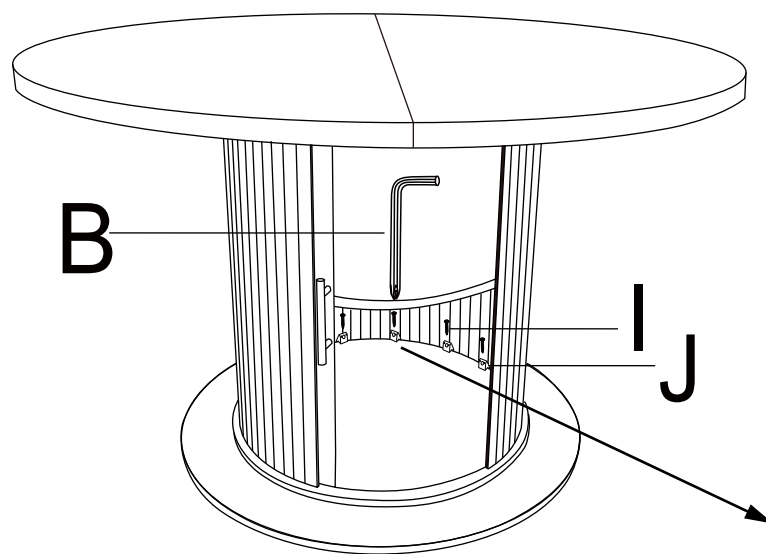
Step:14

L		X10
---	---	-----



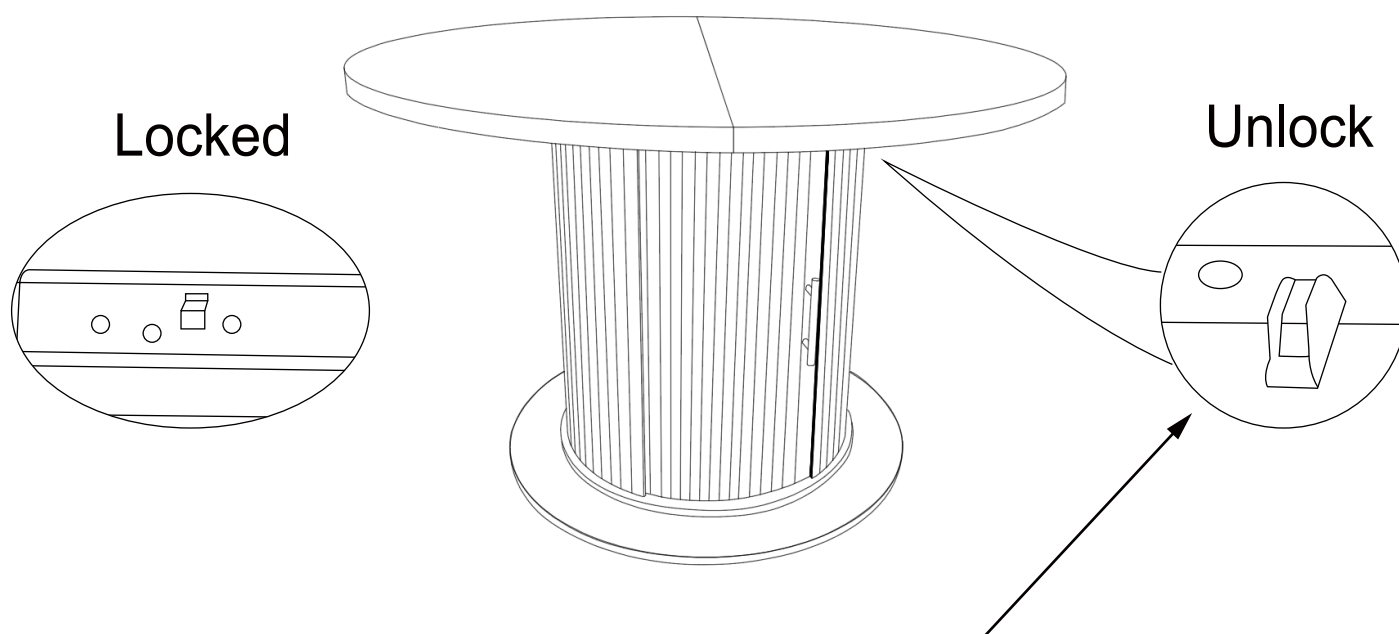
Step: 15

B		X1
I	 M3.5*14mm	X4
J		X4



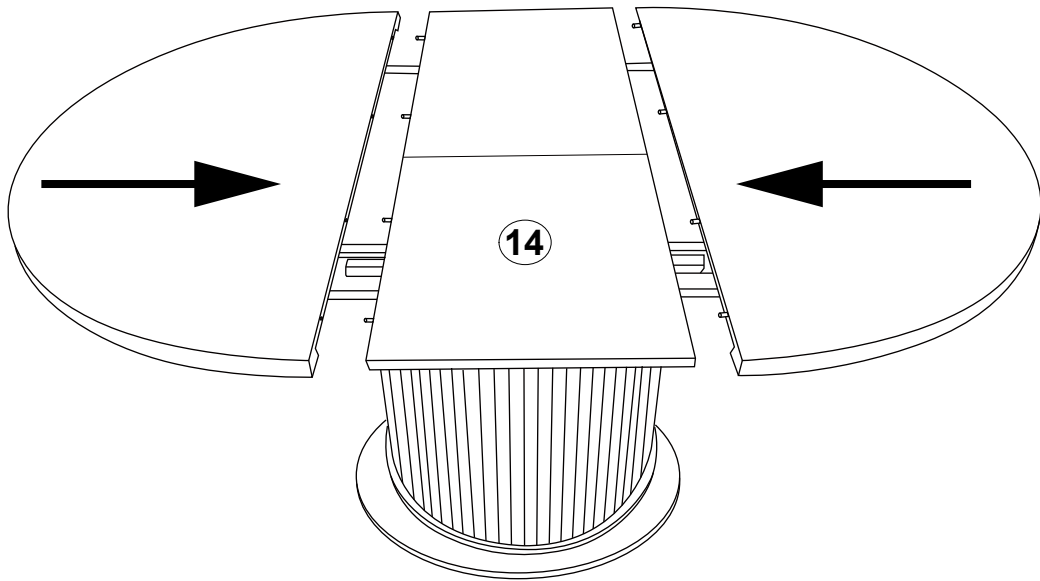
When assemble the 4 clips, pay attention to the installation position. don't put them in the door panel slot, otherwise it will affect the installation of door No. 9 and its open-close sliding.

Step:16

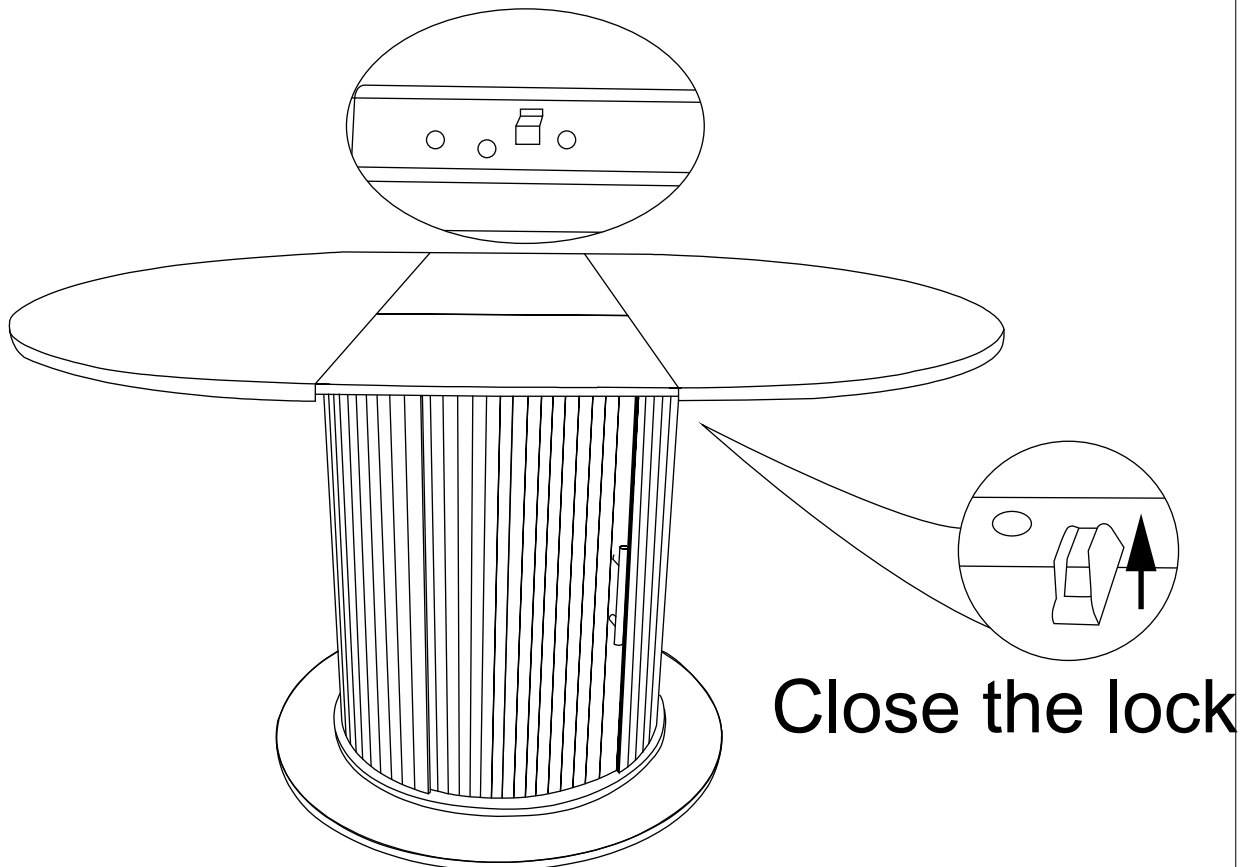


Open the lock, pull the number 3 table top two part to the left and right, take out number 14 table top, be careful don't hurt your hand when taking it.

Step:17

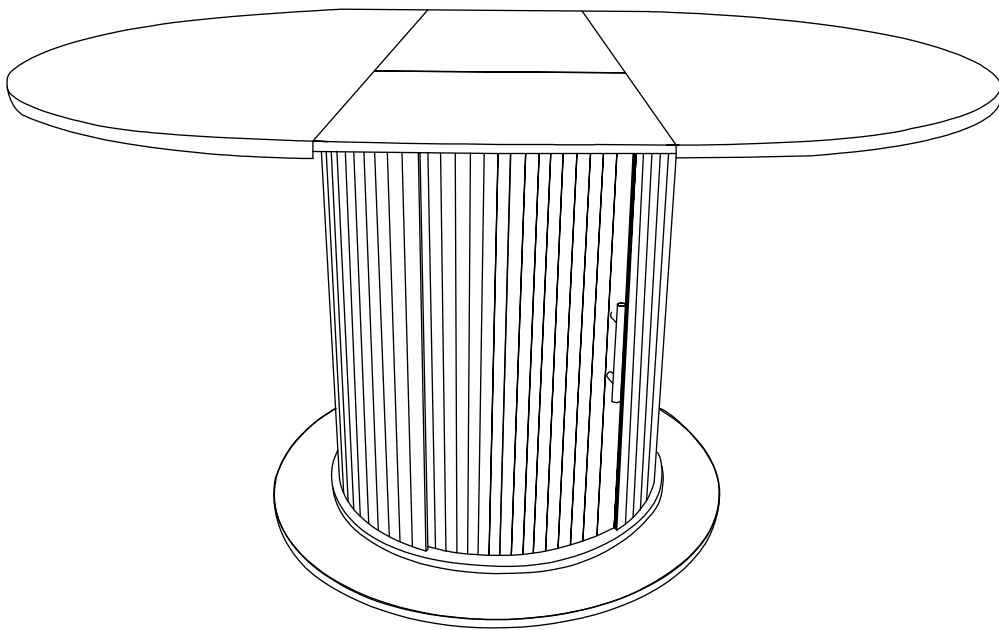
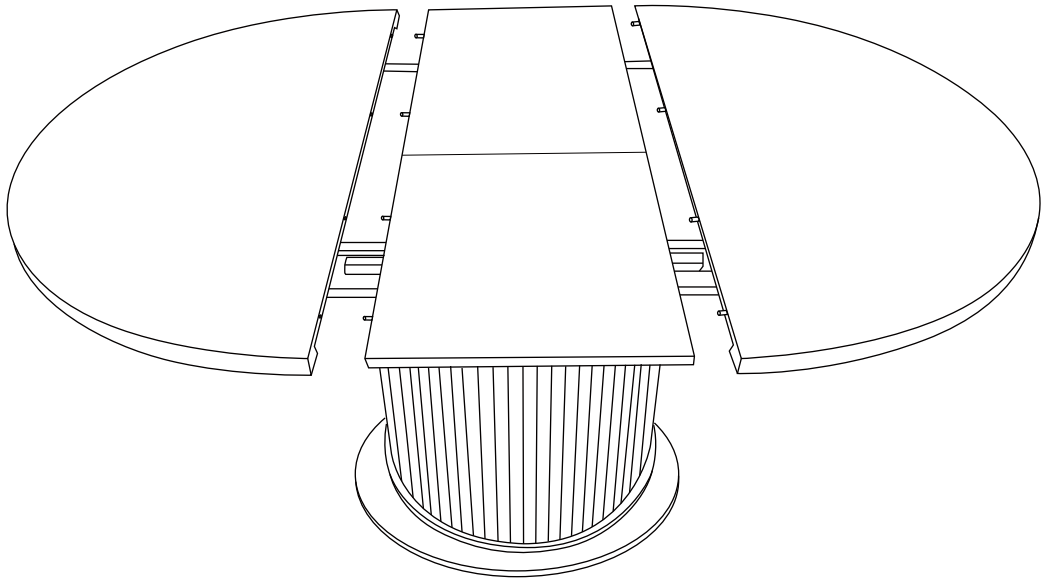


Locked



Close the lock

Step:18



WARNING

Unit can tip over causing severe injury or death.

- DO NOT allow children to climb on unit.
- Read and follow all assembly instructions.

