



20 : 00

estimated assembly +
installation time



2 or more

people required

Ok, let's
get started!



- Put on mood music!
- To prevent damage to product, use the clean side of package carton or rug as working surface for assembly.
- In the event of missing or damaged parts, delivery problems etc., please reach out to our team. We will be happy to fix the problem!

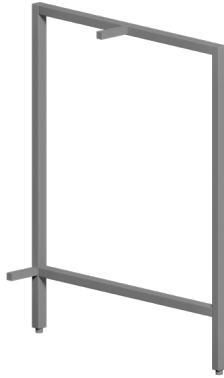
care guide

- Clean regularly with a soft and dry cloth.
- To protect finish, avoid use of abrasive cleaners.
- Wipe up spills immediately. Please!

ⓘ **While assembling the product, tighten the bolts up to 50%. Once all parts are in place, only then fully tighten the bolts.**



product parts



A
Table Leg
x2



B
Rod
x2

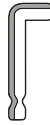


C
Tabletop
x1

what's included



(D) - Bolt
(M6 x 12mm)
x16



(E)- Allen Key
(Ø4mm x Ø110mm)
x1



(F) - Bolt
(M6 x 25mm)
x4



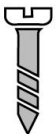
(G)- Lock-Tie
x2



(H) - Wall Plug
x4



(I)- Anti-tip Bracket
x2



(J)- Screw
x4

assembly instructions

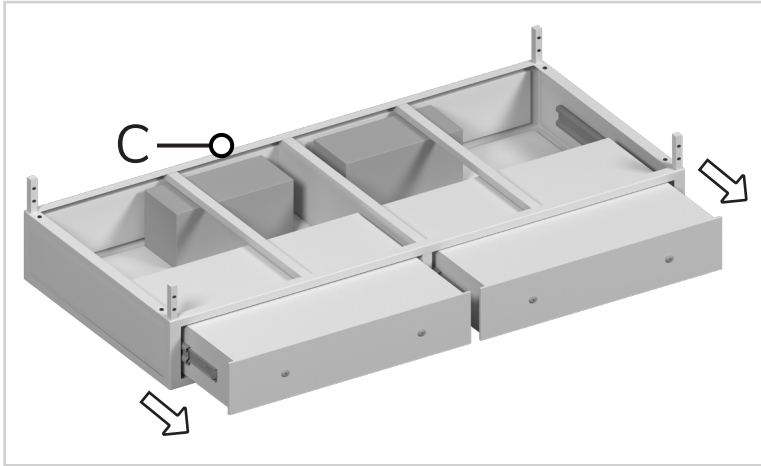
Friendly Tip: Take a deep breath going in. This may be a tricky part, but nothing too overwhelming. Just follow these steps to the T and the outcome will be worth it!



- ⓘ While assembling the product, tighten the bolts up to 50%. Once all parts are in place, only then fully tighten the bolts.

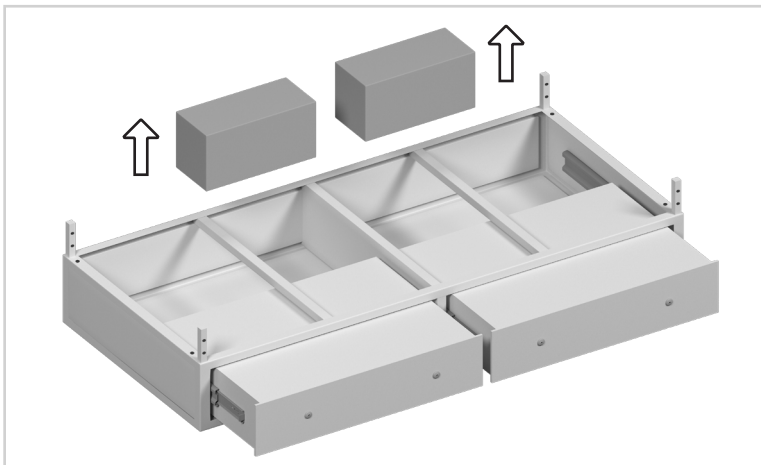
step 1:

Start by placing tabletop (C) upside-down on a rug/carton. Push out the two drawers taking this image as reference.



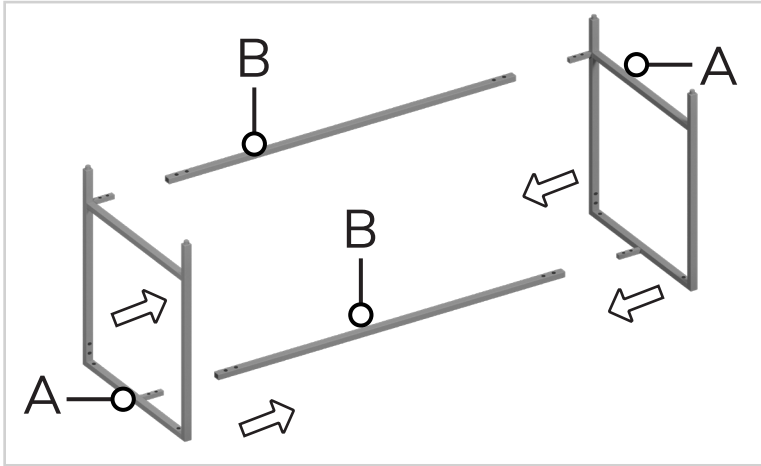
step 2:

Take out the two cardboard boxes and discard them; they are only for ease of transportation.



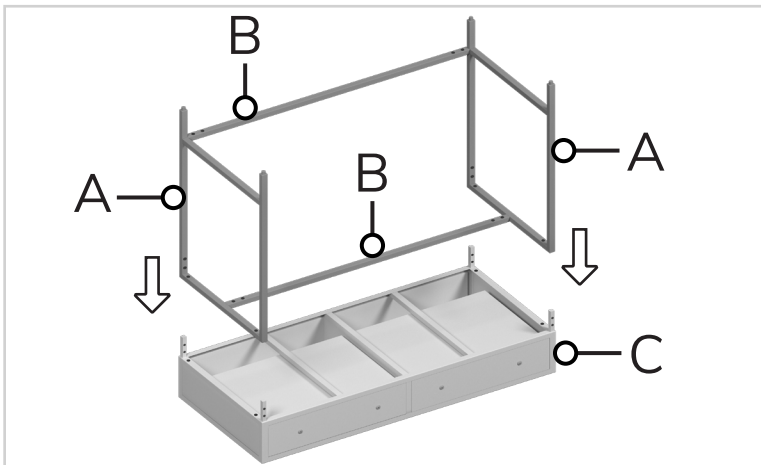
step 3:

Next, taking this image as reference, insert rods (B) to table legs (A).
Simple enough?



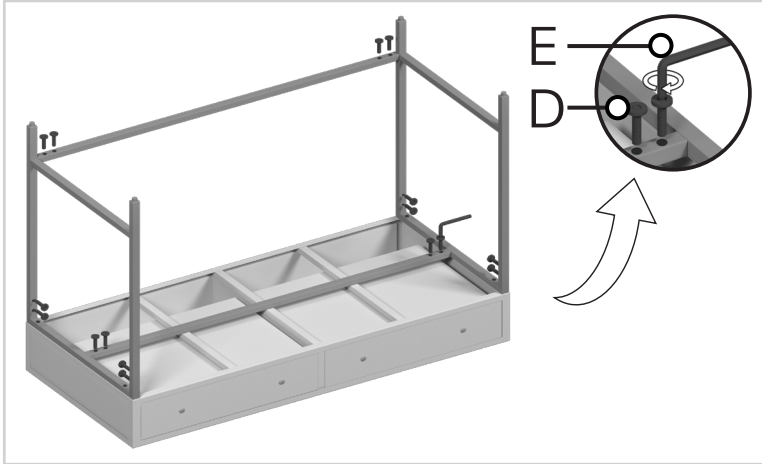
step 4:

Now, insert the resulting frame (A, B) into slots given on tabletop (C).



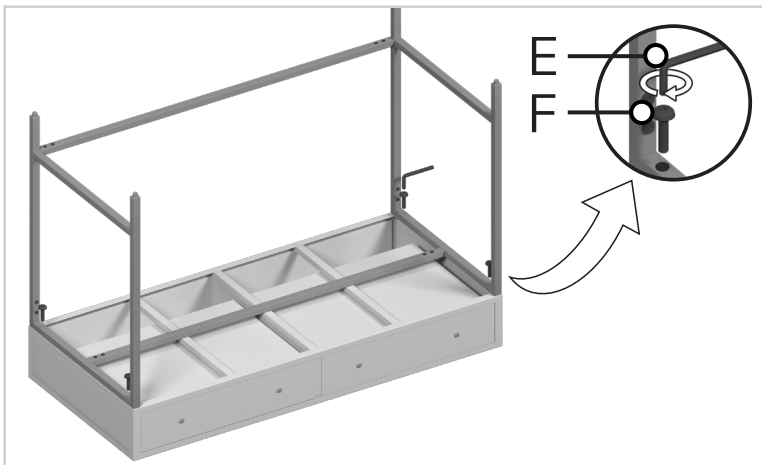
step 5:

To fix legs (A) and rods (B) in place, use bolts (D) at points shown in this image. Tighten all bolts using allen key (E).



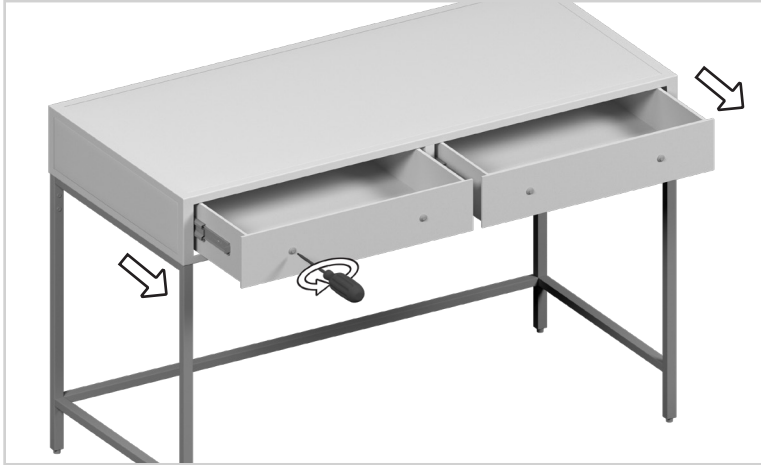
step 6:

Then, use bolts (F) on all four points shown in the image. Tighten them using allen key (E).



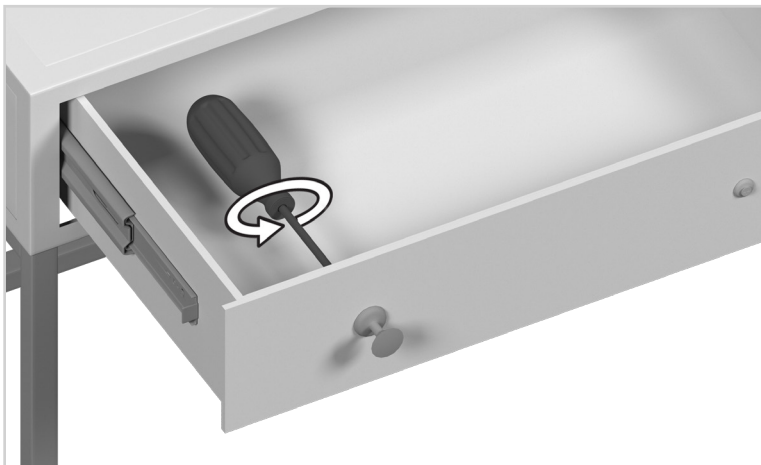
step 7:

Using a screwdriver, detach the knobs fitted inside the drawer.



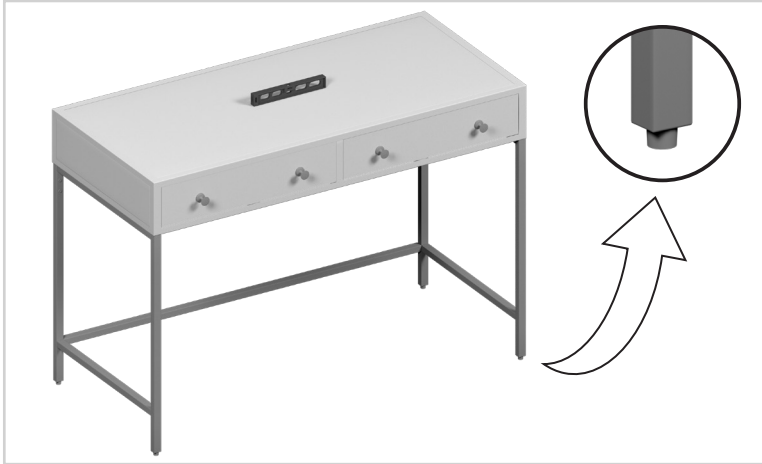
step 8:

Place the knobs outside the drawer and re-attach using the screws that you just removed and tighten using the screwdriver.



step 9:

Place a spirit level on top of the surface to check alignment. Adjust the levellers if needed.



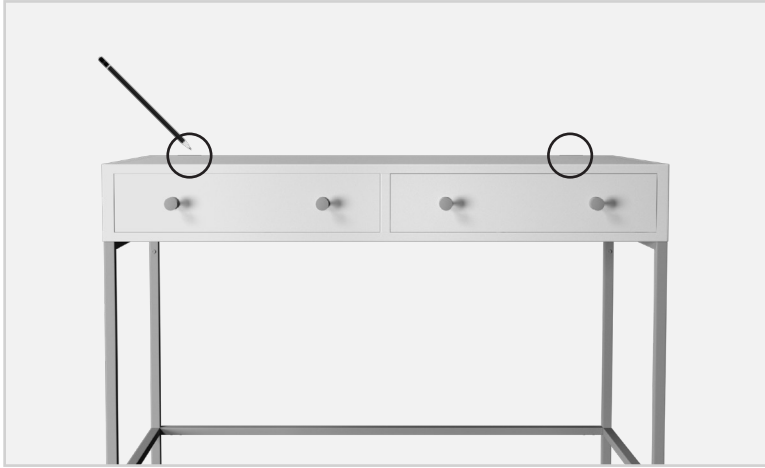
installation instructions



- ⓘ While assembling the product, tighten the bolts up to 50%. Once all parts are in place, only then fully tighten the bolts.

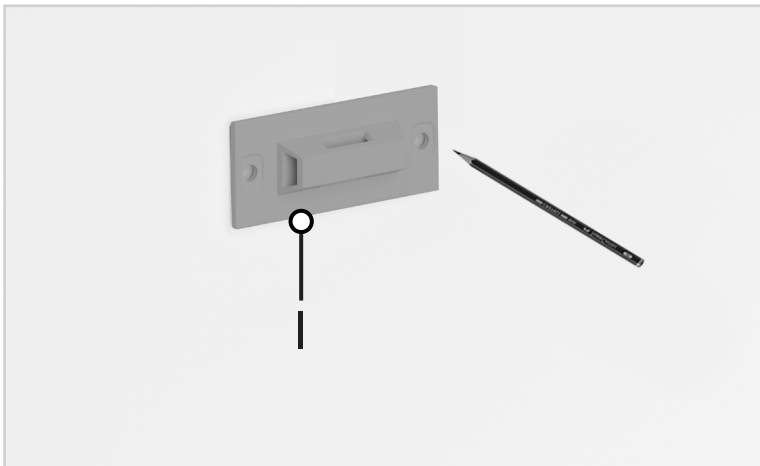
step 1:

Place the product against the wall you want it to set. Taking the anti-tip bracket attached on the back as reference, make two marks on the corners and move it away from the wall.



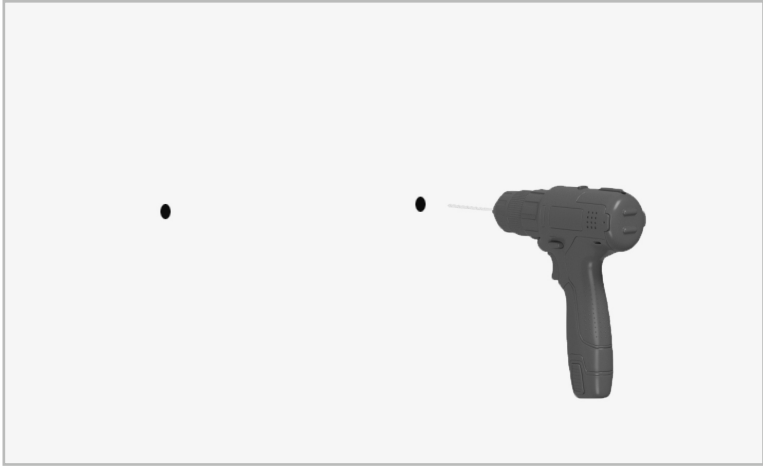
step 2:

Now, put the anti-tip bracket (I) on the marks you just made and make another two marks for drilling using it as a stencil. Repeat step on the other corner.



step 3:

Drill holes at the points you just marked.



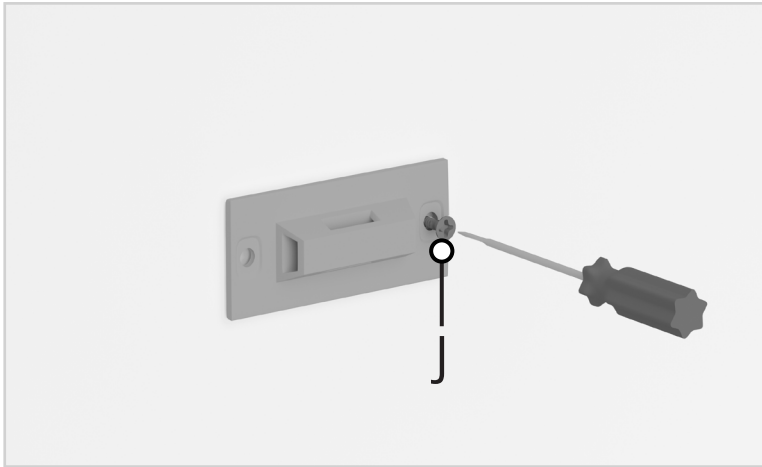
step 4:

Using a hammer, insert the wall plugs (H) inside the holes.



step 5:

Fix the screws (J) into the wall plugs (H). Use a screwdriver to make sure they are secure.



step 6:

Finally, using this image as reference, secure the product to the wall with lock-tie (G).



Voila! Your desk is now installed and secure!