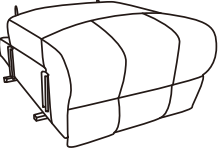
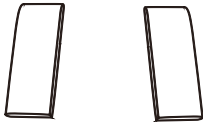
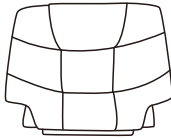

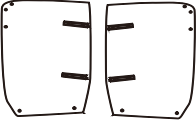

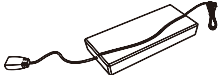

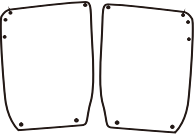
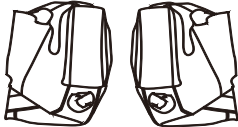
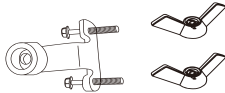

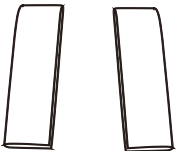






Attention

Thanks for choosing our product.

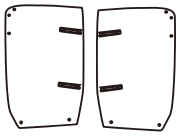
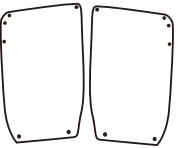
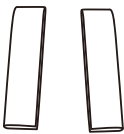



1. Please first check all the parts as listed as below. Feel free to contact us if you have any missing or damaged parts. We will help to solve the problem asap.
2. You will receive 1 box, all the accessories are packaged in the box.
3. No power tools are needed to assemble the chair.

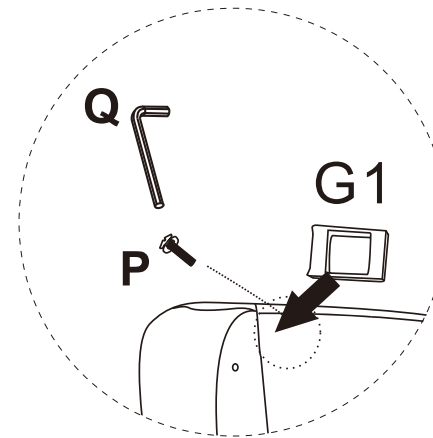
Part List

Part		QTY.	Part		QTY.	Part		QTY.	Part		QTY.
A		1PC	F		Left: F1 Right: F2	B		1PC	N		1PC
C		Left: C1 Right: C2	G		Left: G1 Right: G2	J		1PC	O		1PC
D		Left: D1 Right: D2	H		Left: H1 Right: H2	K		2PCS	P		24PCS
E		Left: E1 Right: E2	I		2PCS	L		4PCS	Q		1PC
						M		1PC			

STEP 1

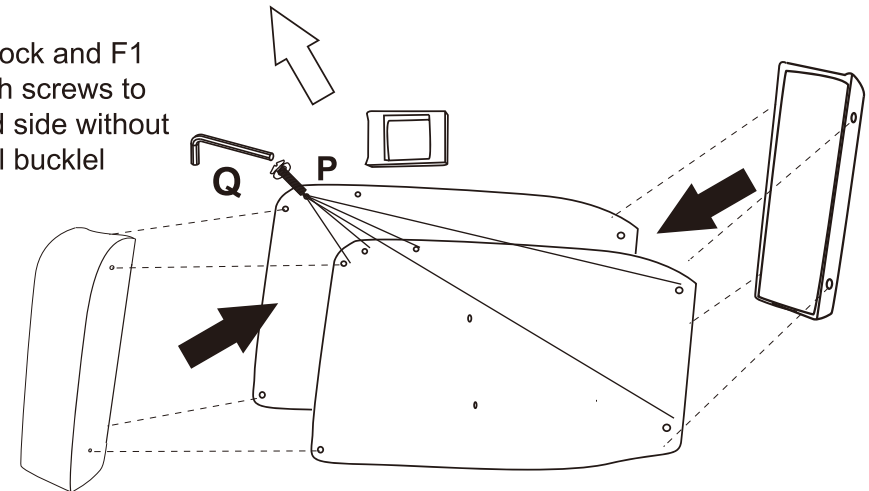
Let's start to assemble the Left Chair Arm Frame first, we named it N1 group
Please find and prepared those pieces with Labels: C1D1,E1,F1,G1 and M

Label	Accessory Shape Reference	N1: Left Chair Arm N2:Right Chair Arm	
C1,C2		C1: Right side board of Left Arm	C2: Left Side Board of Right Arm
D1,D2		D1: Left side board of Left Arm	C2: Right Side Board of Right Arm
E1,E2		E1: Front Block of Left Arm	E2: Front Block of Right Arm
F1,F2		F1: Back Block of Left Arm	F2: Back Block of Right Arm
G1,G2		G1: Left cupholder frame	G2: Right cupholder frame
P		Screws Pack	



Fix cupholder G1 with screws to the border position(as picture) by attaching to C1 and D1)

Fix E1 block and F1 block with screws to C1 board side without the metal buckle!





Attached Side board D1 to E1 and F1 with screws

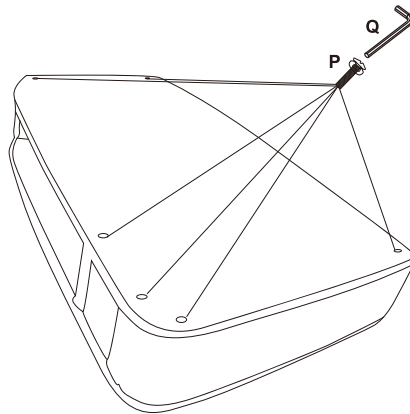
Please find and prepared those pieces with Labels: C2,D2,E2,F2,G2 and M to assemble the Right Chair Arm with the same way. We named the Right Arm as N2 group

STEP 2

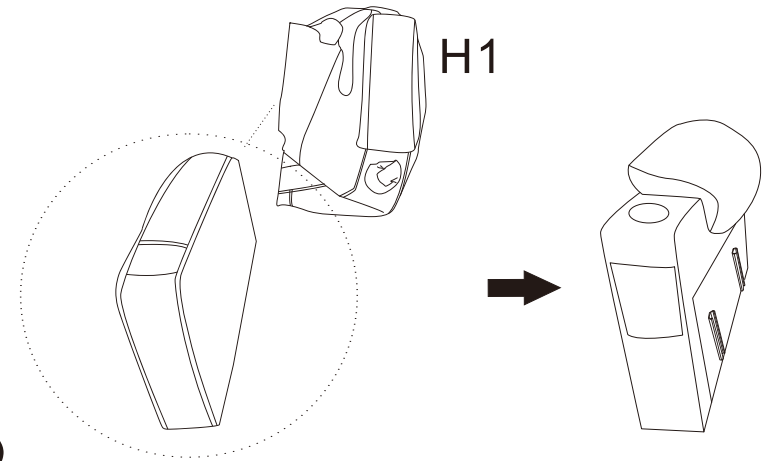
Put the Left cover pillow (H1) to the Left chair arm frame(Assembled in step1);

Note: the cupholder place should aim at the cupholder frame, make sure the cover is tension and smooth.

Label	Accessory Shape Reference	Name
H1 , H2		H1: Left Chair Am Cover Pillow H2: Right Chair Am Cover Pillow
P		Screws Pack

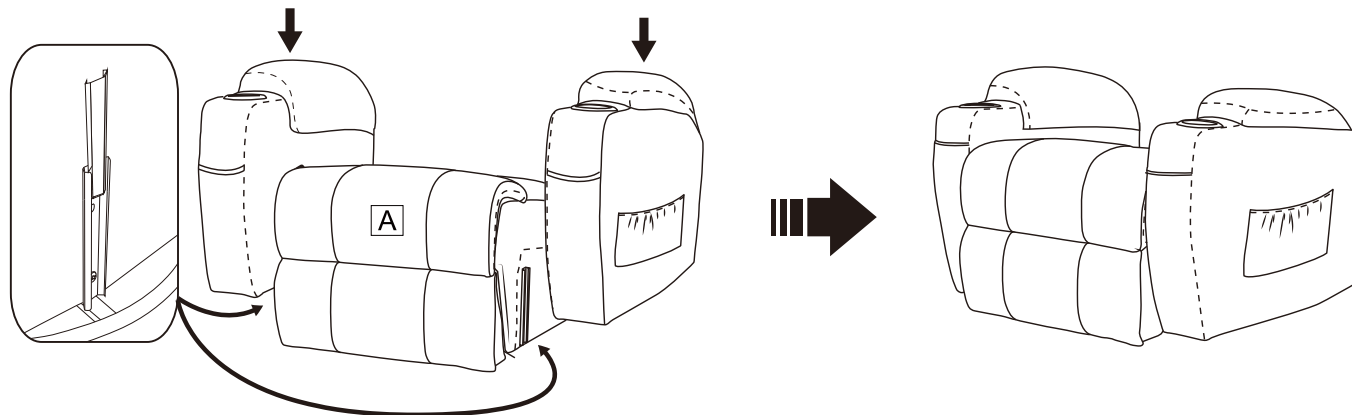


Then do the same as to right side(H2)



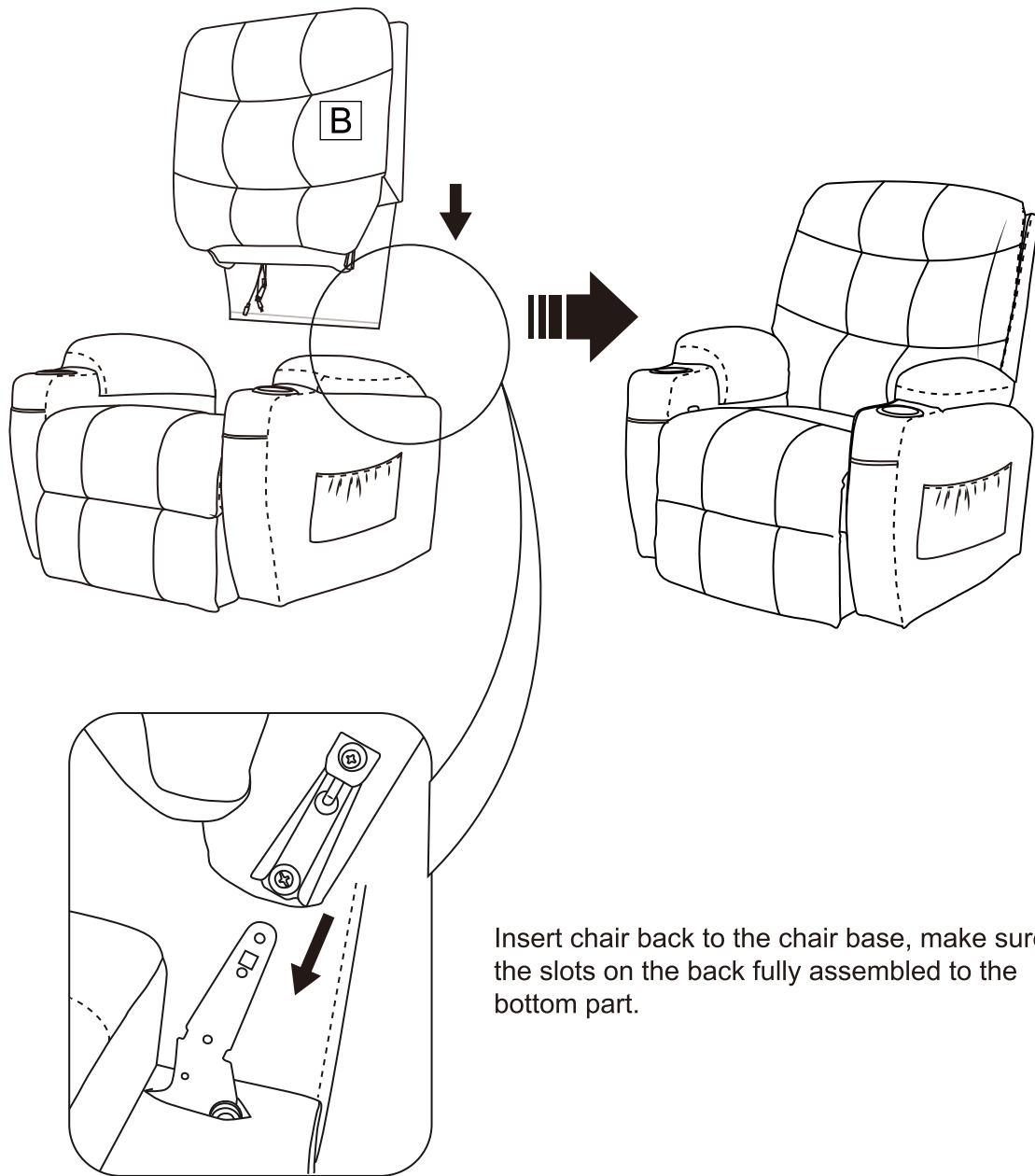
STEP 3

Just feel free to chat us if you have any problem, we will try our best to help you solve the issue.



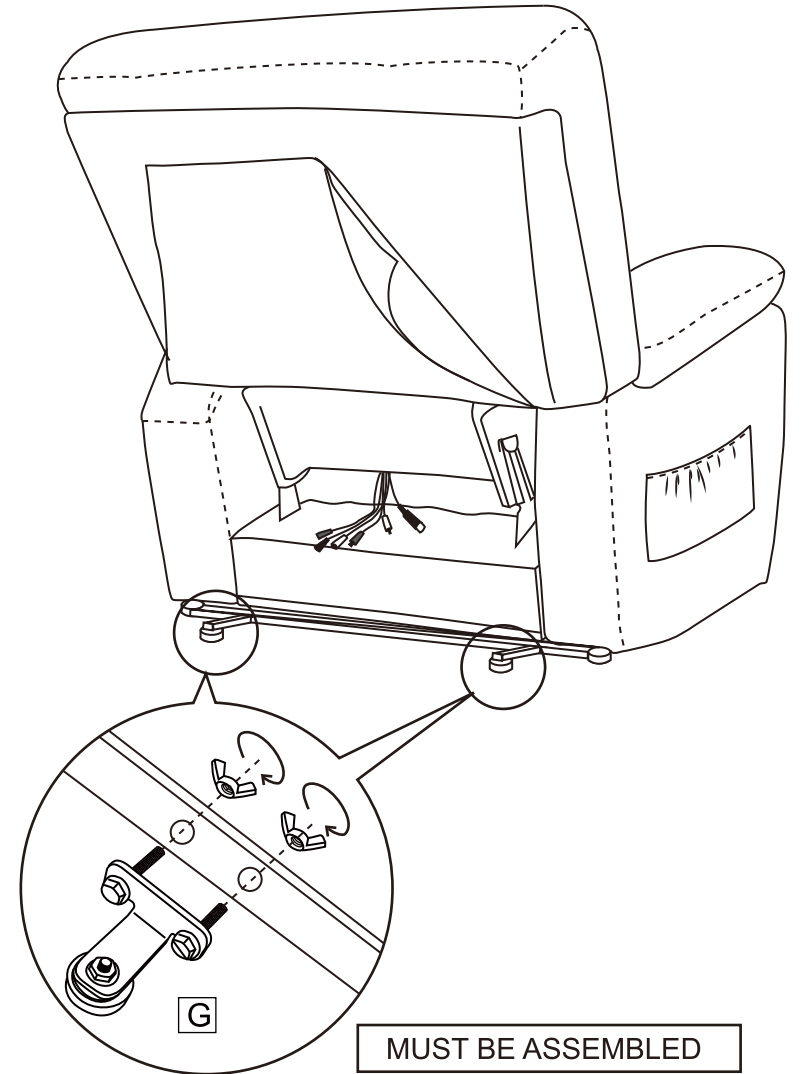
Insert two armrests to the chair base, make sure the slots on the armrests fully assembled to the bottom part

STEP 4



Insert chair back to the chair base, make sure the slots on the back fully assembled to the bottom part.

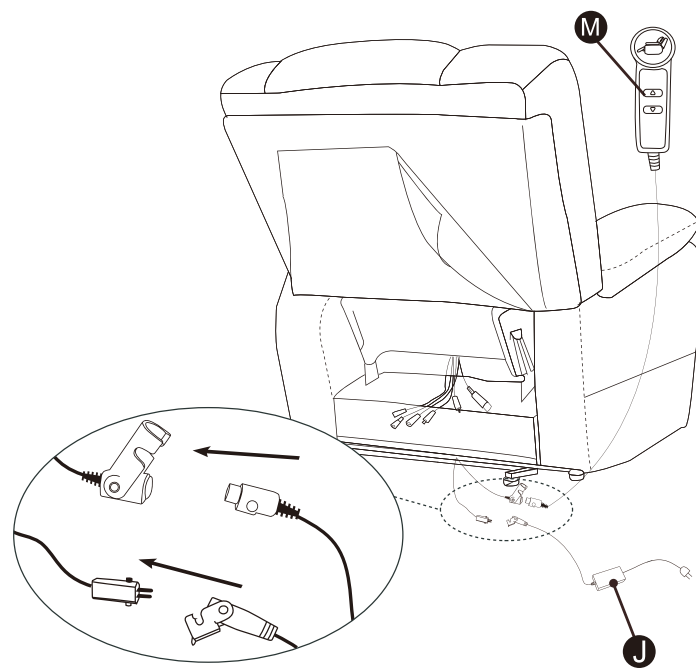
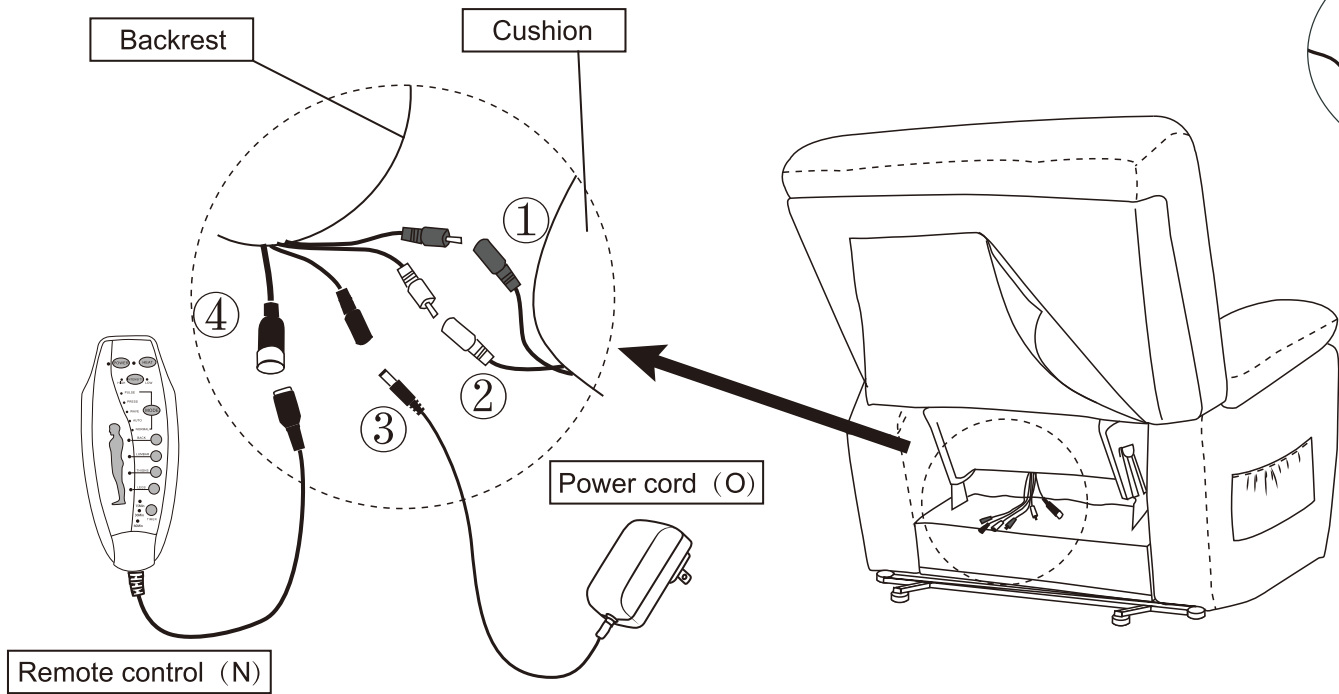
STEP 5



STEP 6

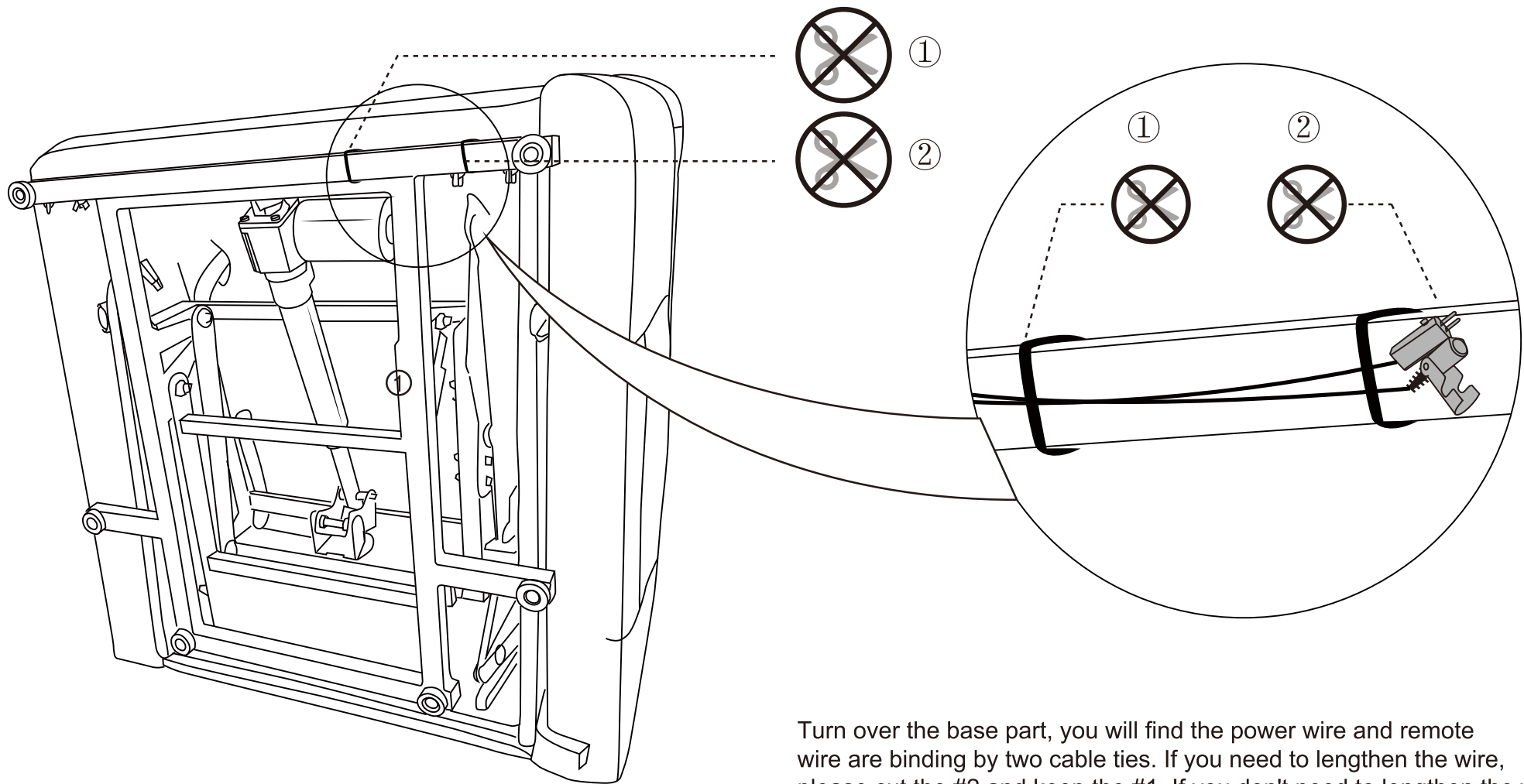
NOTE : Two same color wires connect.

- No.1 and No.2 wire connect with the backrest and chair base.
- No.3 wire connects with backrest and power cord(O).
- No.4 wire connects with backrest and remote control(N).



Connect the wires attached to the base frame with the remote control (Part M) and power source (part J) respectively.

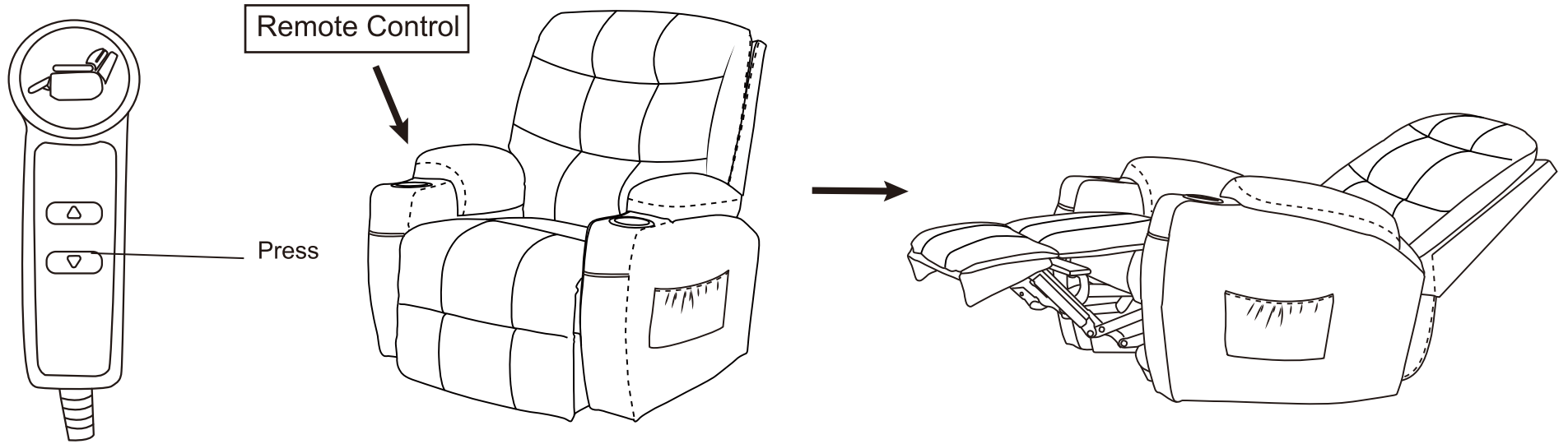
STEP 7



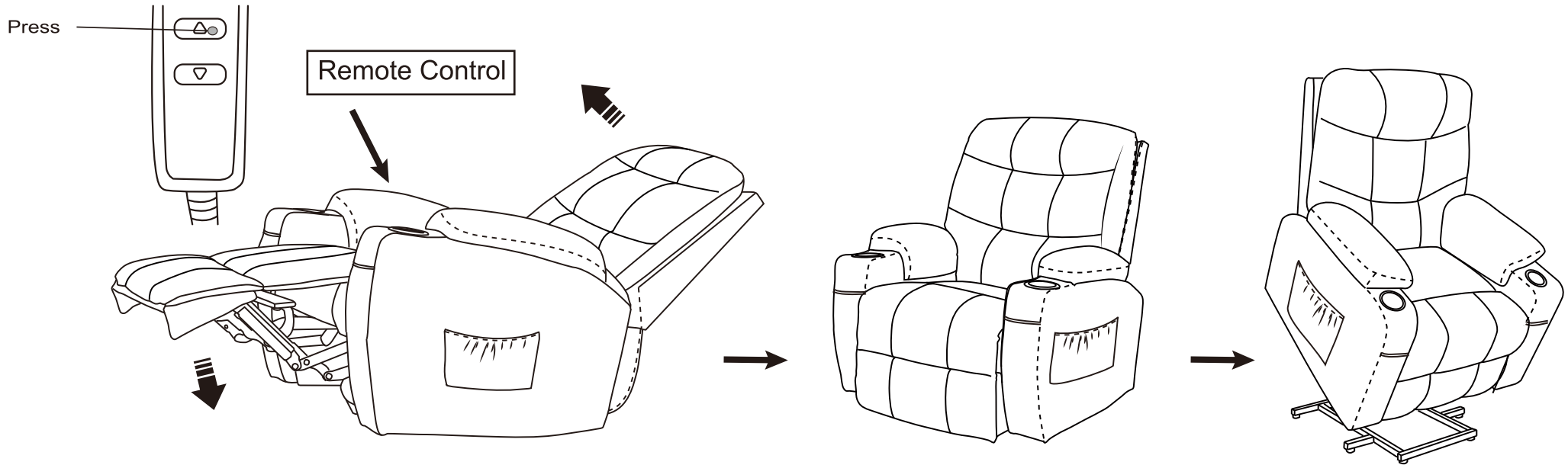
Turn over the base part, you will find the power wire and remote wire are binding by two cable ties. If you need to lengthen the wire, please cut the #2 and keep the #1. If you don't need to lengthen the wire, don't cut any cable ties.

STEP 8

How to recline?



How to get footrest latch down and stand?

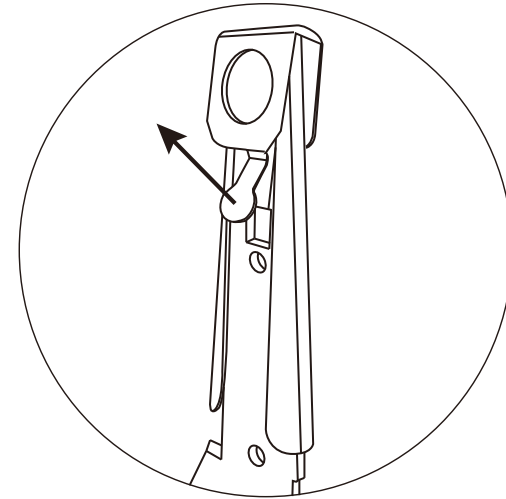
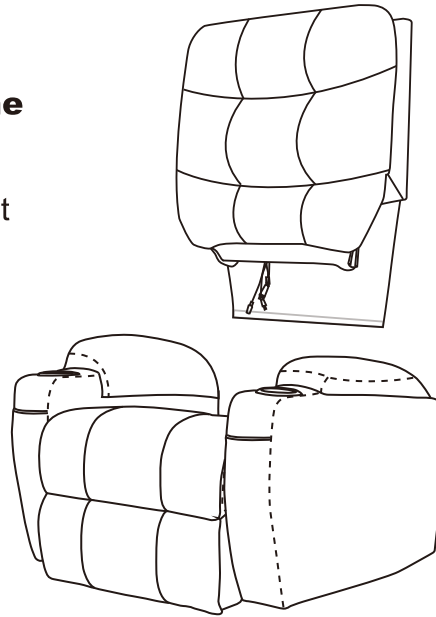


STEP 9

How to remove the chair ?

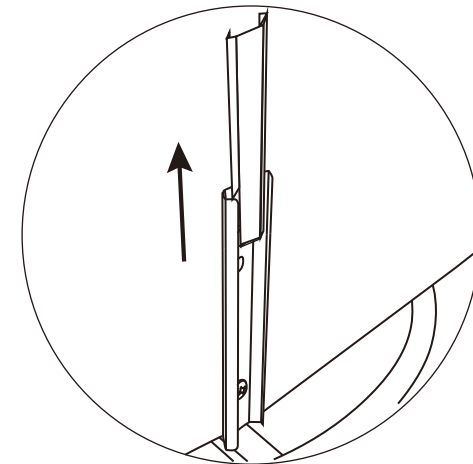
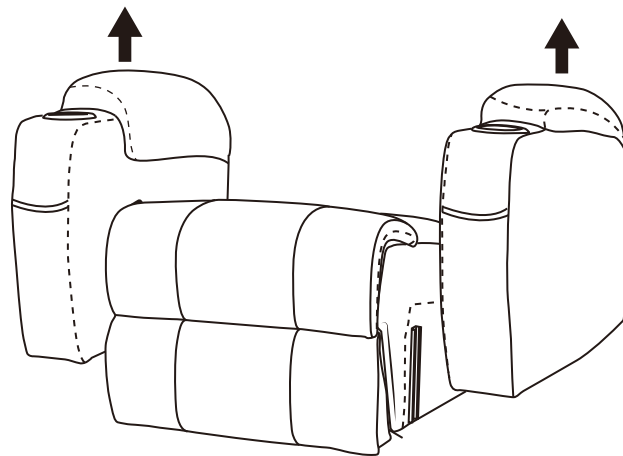
Please note that you need to take apart the backrest before removing the arms.

1. Force apart the buckles while take the backrest out from the arms.



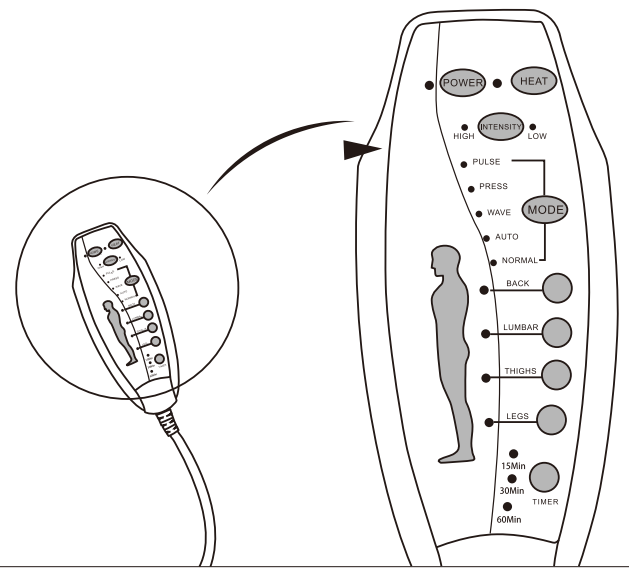
2. Then pull out the arms from the base.

Note: Please pull out the armrests from the middle of the armrests.



STEP 10

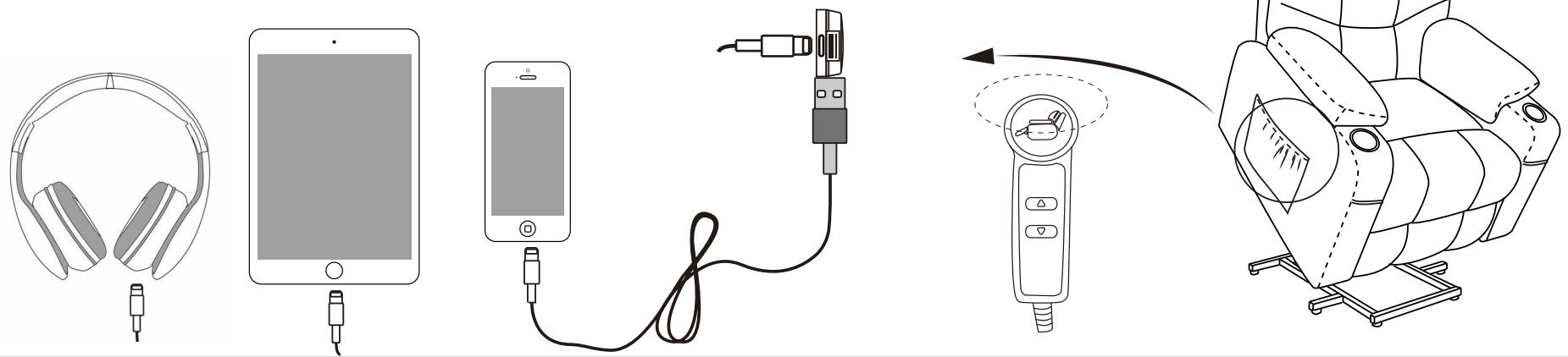
How to use remote control?



- POWER : Turn on/off remote control.
- HEAT : Turn on/off heat function for lumbar part only.
- INTENSITY : Control massage function from low to high.
- MODE : Choose one massage mode you like(pulse, press,wave,auto, normal)
- You can choose 1-4 massage parts(back, lumbar, thighs, legs)to enjoy.
- TIMER: 15 mins/30 mins/60 mins

How to use control panel that outside of right armrest?

Control panel is for chair lift and reclining function, also has dual USB outlets (5V 2A) that keep your devices charging, such as nearly all smartphone(like iPhone, Samsung..), ipad, headphones, Kindle...



Product Feature

- Heating massage
- 8 Vibration Motors
- 5 Massaging modes
- 2 Massaging intensity
- 4 massage zones, each zone can be operated individually
- The default timing is 15-30-60 min the selection

How to use

1. Insert adapter jack into the socket found on back of the massage chair, then plug the adapter into a wall outlet.
(see Figure A)

2. Turn the unit ON by pressing the POWER button once, The LED will illuminate when power is on.

3. Turn on the massage in each zone by pressing the BACK, LUMBAR, THINGS or LEGS buttons. LEDS will illuminate when each zone is activated.
To turn off a zone press the button again.

4. To choose a desired massage mode, press the MODE button. To change modes, press MODE button until LED for desired mode illuminates.

PULSE-for deep tapping massage

PRESS-provides rapid tapping massage

WAVE-for a gradual, side-to-side vibrating massage

AUTO-automatic selection of different massages

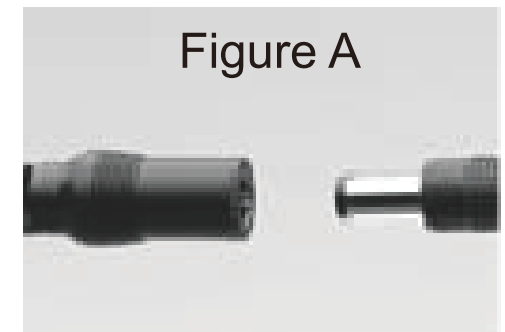
NORMAL-gentle percussive massage

5. To change the massage intensity press the INTENSITY button. The LED for HIGH or LOW intensities will illuminate when chosen.

NOTE: Discontinue use immediately if you feel any discomfort or pain.

6. NOTE: for your benefit, the massage chair is equipped with an auto shut-off feature

7. DO NOT use for more than 80 minutes of continuous use.



FAQ

1.Q: Missing parts when received.

A: Please check if you already received two boxes we shipped to you. Sometimes the two boxes will not arrive in same date, hope you can wait for 2-3 more days or contact us for more help.

If you already have two boxes, please kindly send us messages to let us know the name of missing part regarding to the first page of instructions. We will send replacement to you asap.

2.Q: Some parts damaged when arrived.

A: Please send clear photos about damaged part to us as attachment, we will check and offer you best solution soon.

3.Q: The massage function does not work.

A: Please check if all wires connect correctly, the power cord (O) may be defective if indicator does not light on, or if the lights doesn't turn on when you press "POWER" button on the remote, that means the remote is defective.

Please kindly send messages with clear photos to describe the problem, then we will send necessary replacement to you.

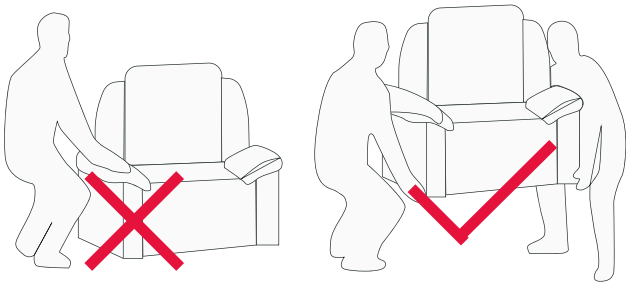
4. Q: The chair is stuck on lifting or reclining position, and no response when you press the lifting or reclining button.

A: Please kindly check if the power source (J) and control panel are connected well with lift motor(Wire #5 & #6). Sometimes the power source (J) and control panel may fall off from the motor. If they connect well, then check the lift motor if it has some anomaly, like some noise comes out when you press the lift and recline button. If you can make sure the motor is defective, please contact us for replacement.

5. Q: The Heat function does not work or can't feel.

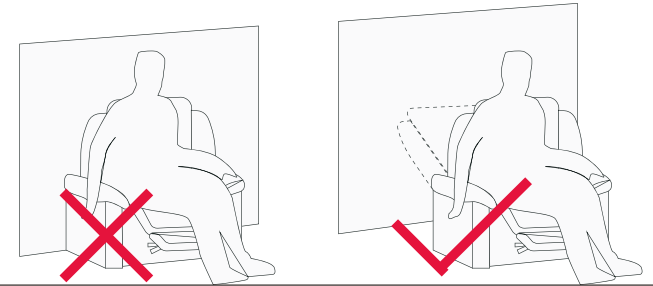
A: Please check all wires connection the same as question 3 first. If the remote also works well, you will need wait for 5-10 mins after you press the "HEAT" button. The heating function only works at lumbar position and the heat temperature isn't very hot.

2-Person lift

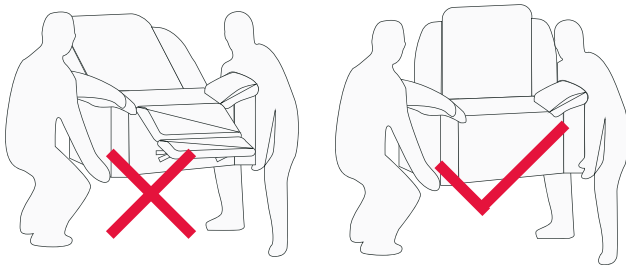


Warning

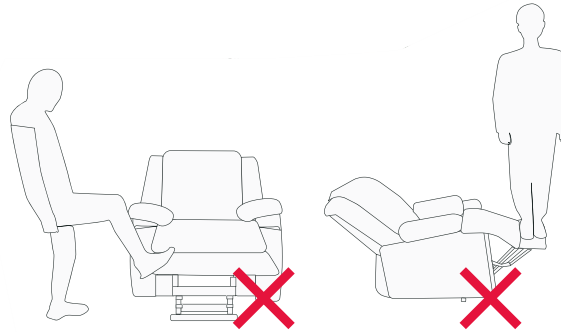
Leave enough space between chair back and wall before reclining



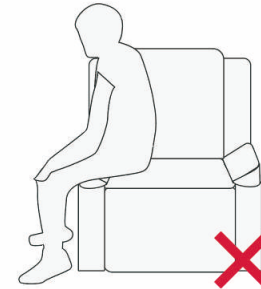
Do not move chair when it's reclining



Do not sit/kick/stand on the footrest when the chair is on reclining position



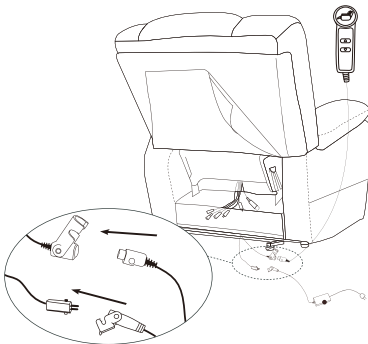
Do not sit on or press armrest



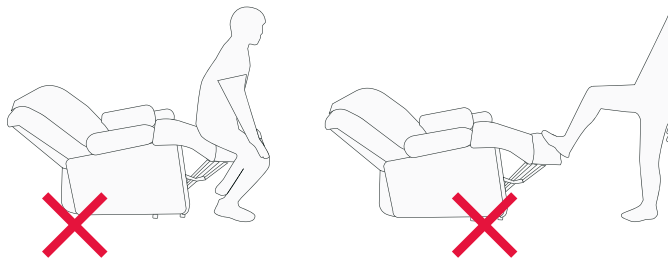
Do not press armrest after recline



Unplug all power source from socket, then unplug all wires connection before move chair



Do not stand up when the chair is on reclining position



Do not smoke or play with fire