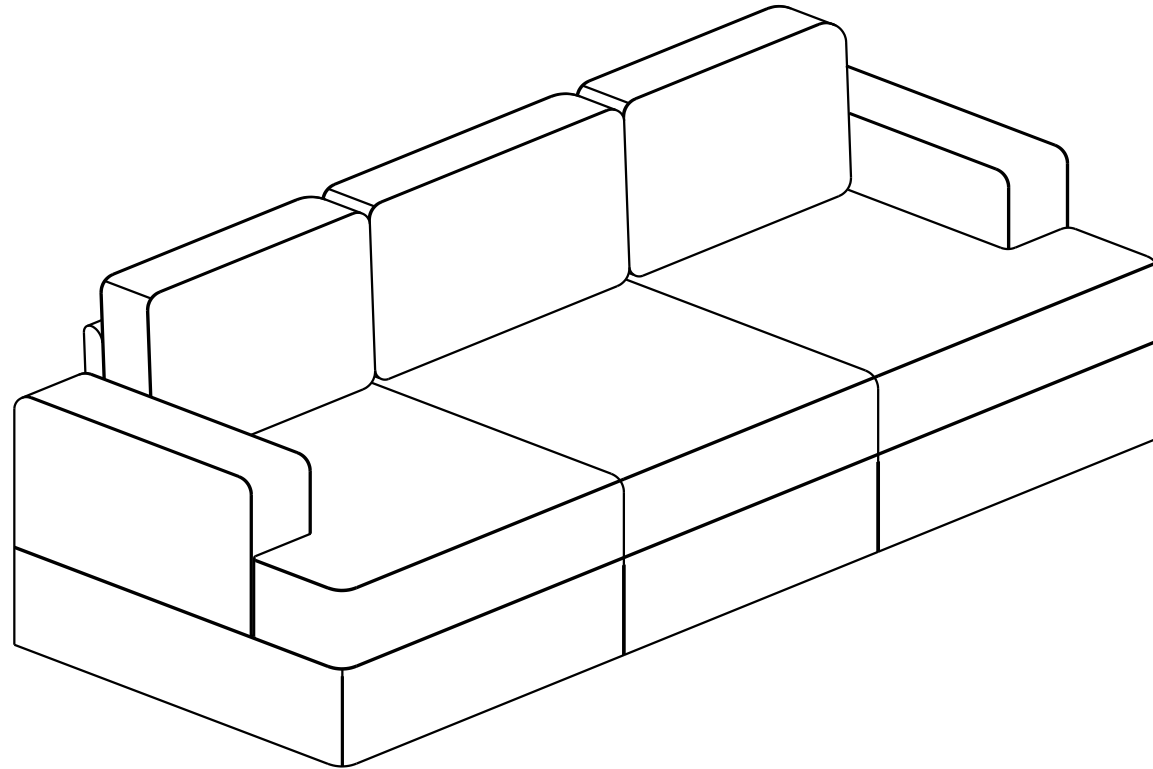


# SLIPCOVERED SOFA- 3 SEATER





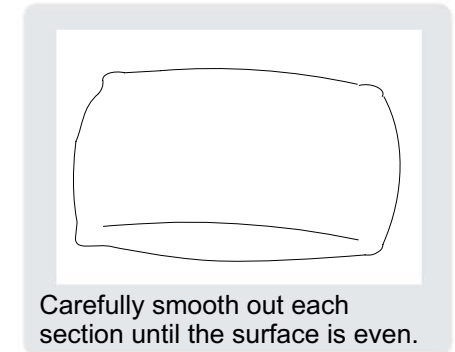
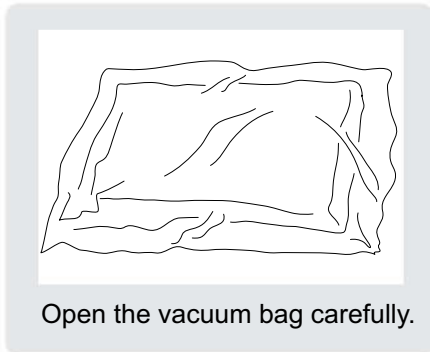
# Safety and Care Advice

**Important - Please read these instructions fully before starting assembly**

Thanks for your purchase. Before the assembly, please follow the instructions to check if all the spare parts and screws are intact.

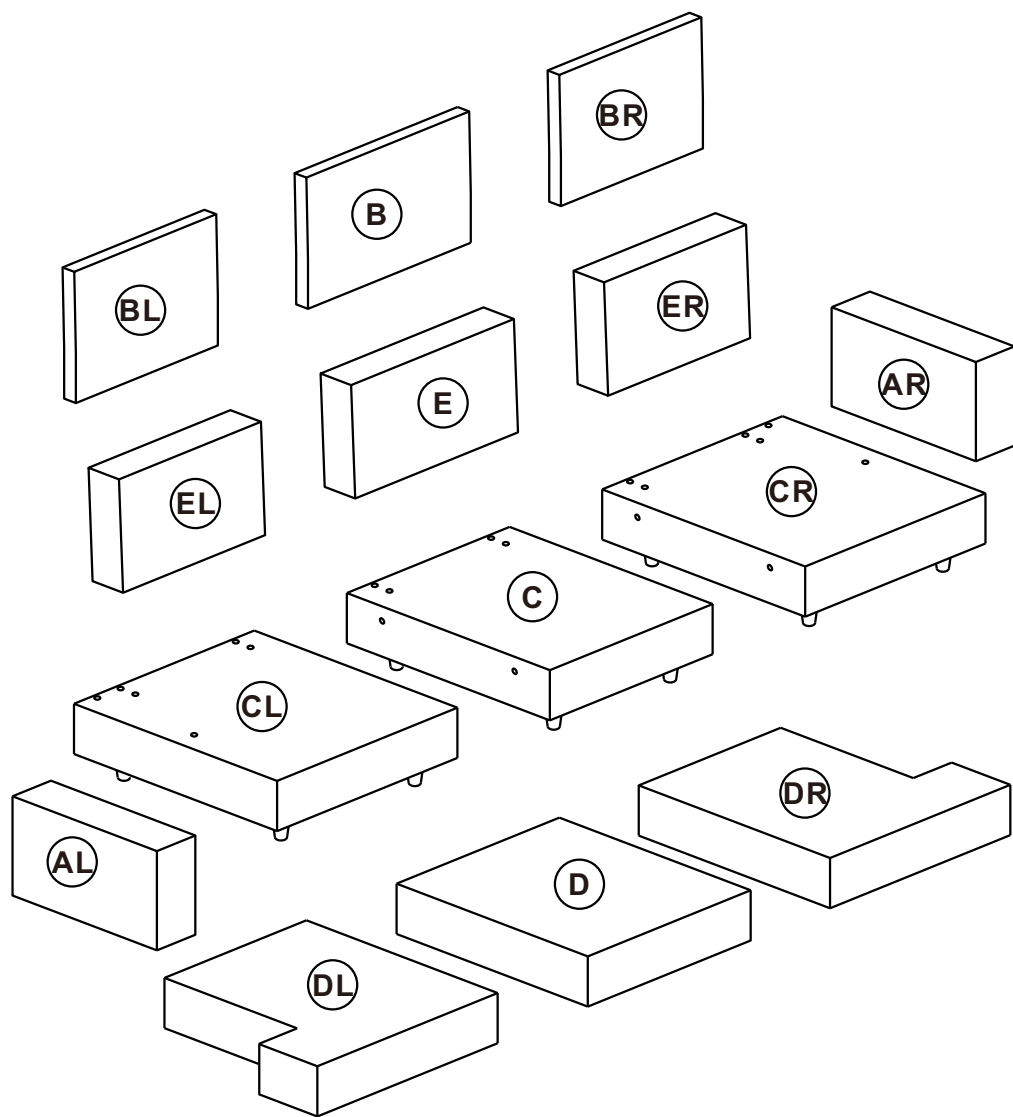
- Considering the size and weight of the sofa, we recommend two adults to assemble the sofa, on a carpeted or padded area. in the room that it is intended for. Approximate assembly time: 30 minutes
- Keep all components and packaging out of reach of children or animals to avoid the risk of choking or suffocation.
- Please do not throw away any of the packaging or the instruction until you have checked all the components and hardware and the furniture is fully assembled. Please ensure that the packaging is disposed in a safe and environmentally friendly way.
- Please do not take off the cover, and do not wash.

Your cushions come vacuum packed and sealed for shipping. To restore the cushion's original shape, follow the steps below.

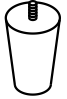




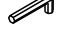
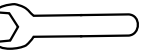



After packing up, place them in somewhere dry and ventilated. After about 72-96 hours. It can be restored to the best use condition.

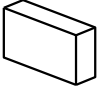
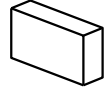
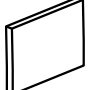
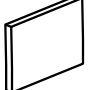
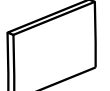
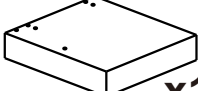
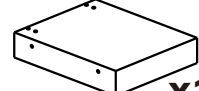
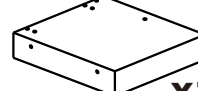
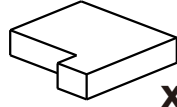
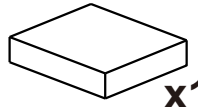
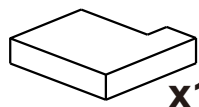
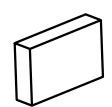
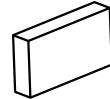
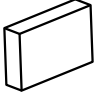
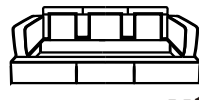
# SOFA



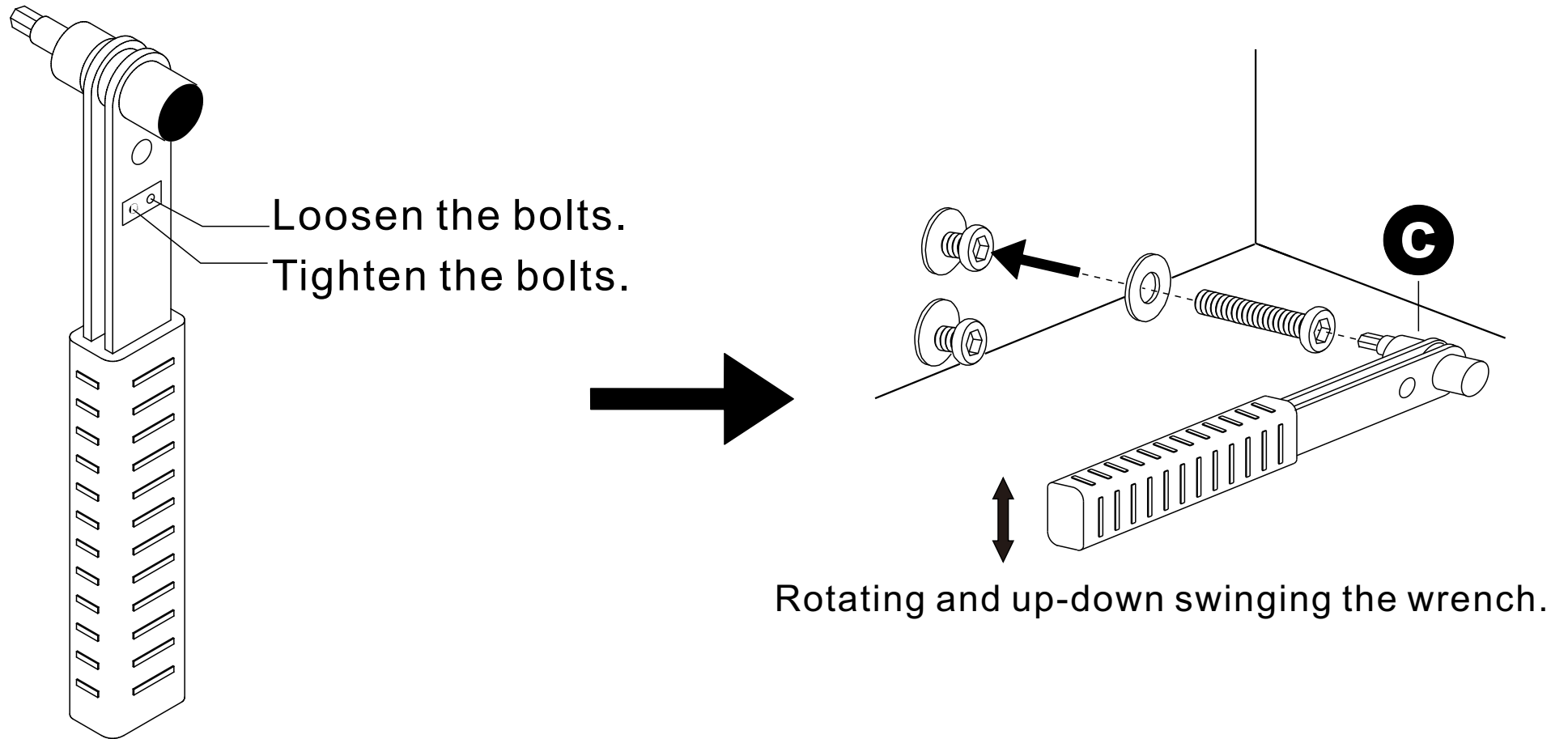
## Hardware parts

<b>a</b> Sofa Leg 9cm  x12	<b>b</b> Bolt M6*50  x20	<b>c</b> Wrench  x1	<b>d</b> Nut  x4
<b>e</b> Washer  x24	<b>f</b> Allen Key  x1	<b>g</b> Wrench  x1	<b>h</b> Felt Pad  x12

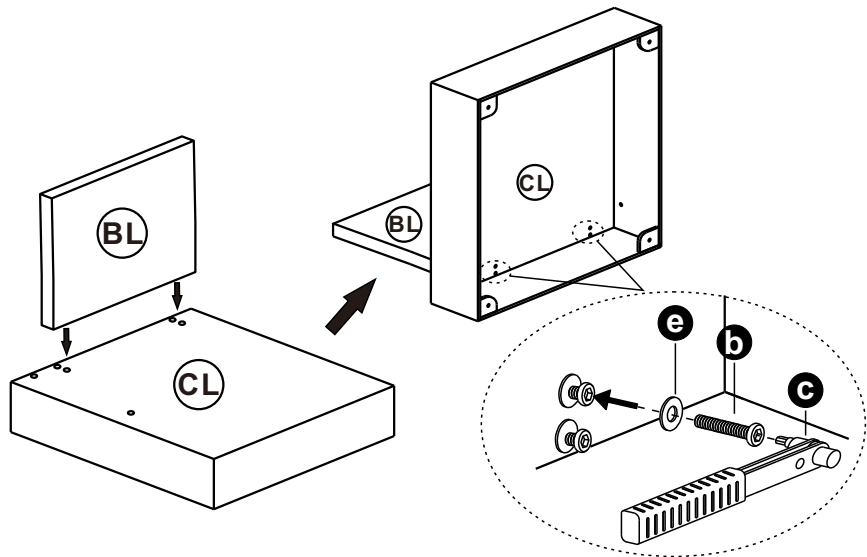
## Main structure accessories

<b>AL</b> Armrest L  x1	<b>AR</b> Armrest R  x1	<b>BL</b> Back Frame L  x1	<b>B</b> Back Frame  x1
<b>BR</b> Back Frame R  x1	<b>CL</b> Seat Frame L  x1	<b>C</b> Seat Frame  x1	<b>CR</b> Seat Frame R  x1
<b>DL</b> Seat Cushion L  x1	<b>D</b> Seat Cushion  x1	<b>DR</b> Seat Cushion R  x1	<b>EL</b> Back Cushion L  x1
<b>E</b> Back Cushion  x1	<b>ER</b> Back Cushion R  x1	<b>F</b> Slipcover  x1	

# The usage pattern of component C.

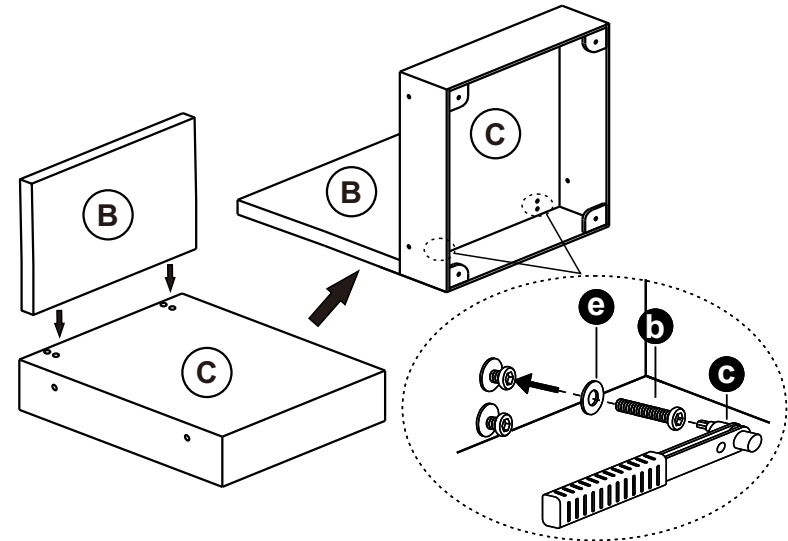



### STEP 1



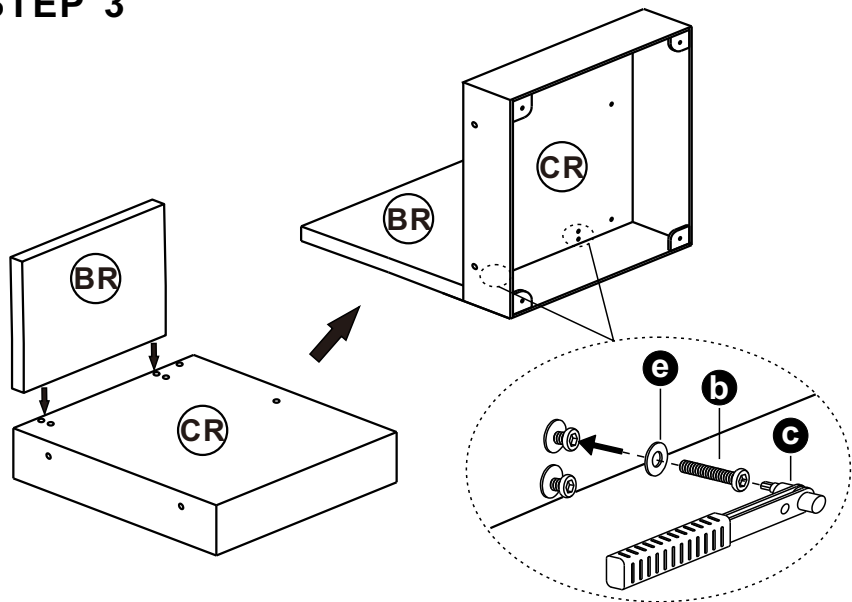
- b**  x4
- e**  x4
- c**  x1

### STEP 2



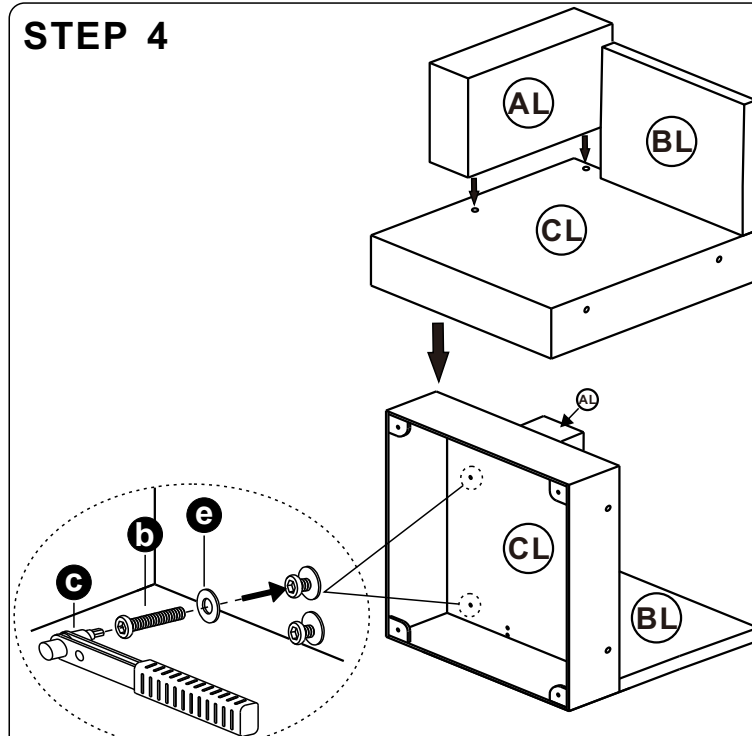
- b**  x4
- e**  x4
- c**  x1

### STEP 3



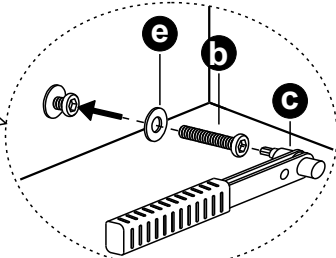
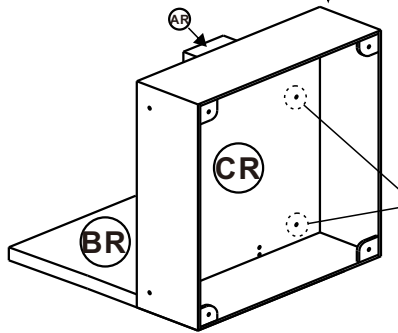
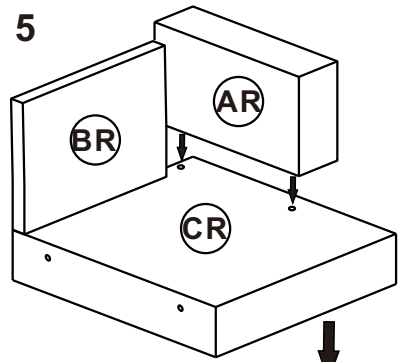
- b**  x4
- e**  x4
- c**  x1

### STEP 4



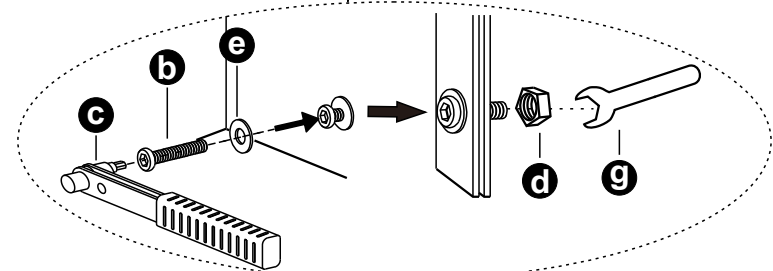
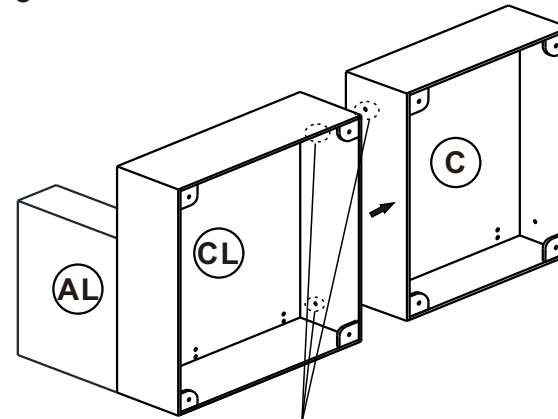
- b**  x2
- e**  x2
- c**  x1

### STEP 5



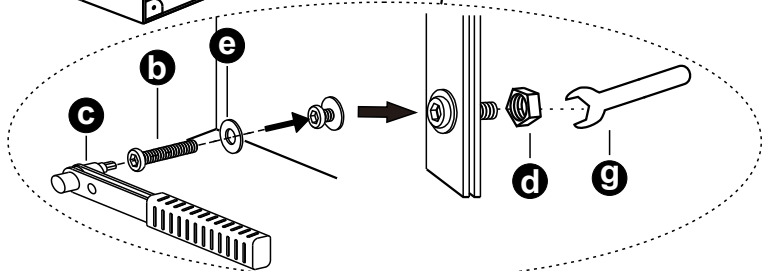
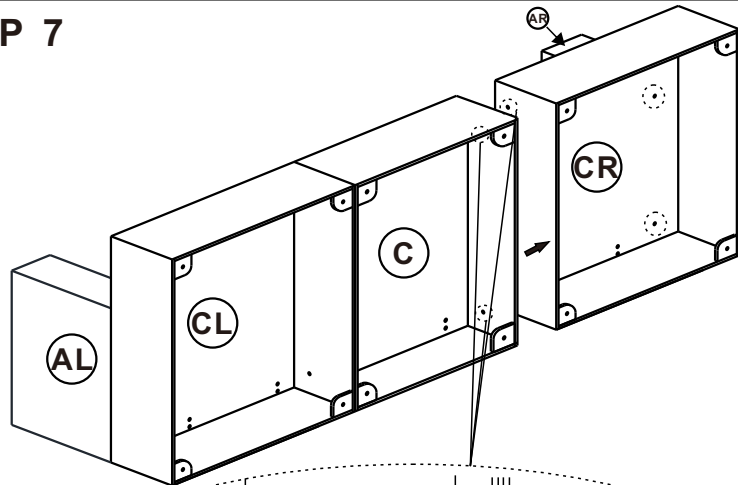
- b** x2
- e** x2
- c** x1

### STEP 6



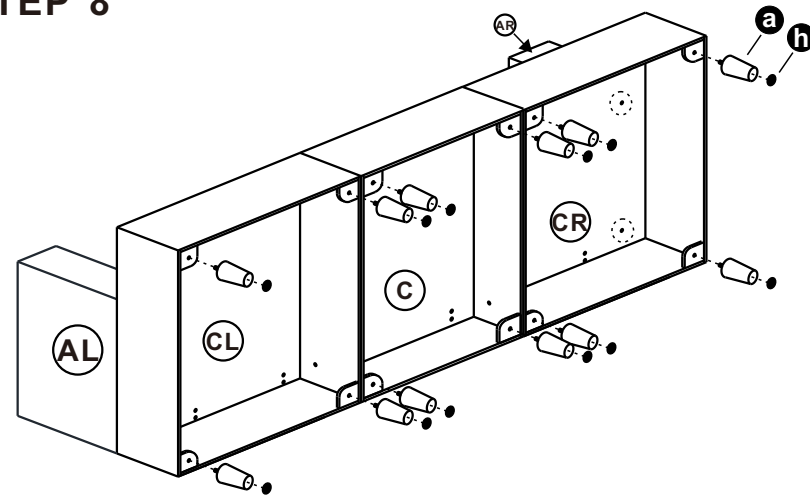
- b** x2
- d** x2
- e** x2
- c** x1
- g** x1

### STEP 7



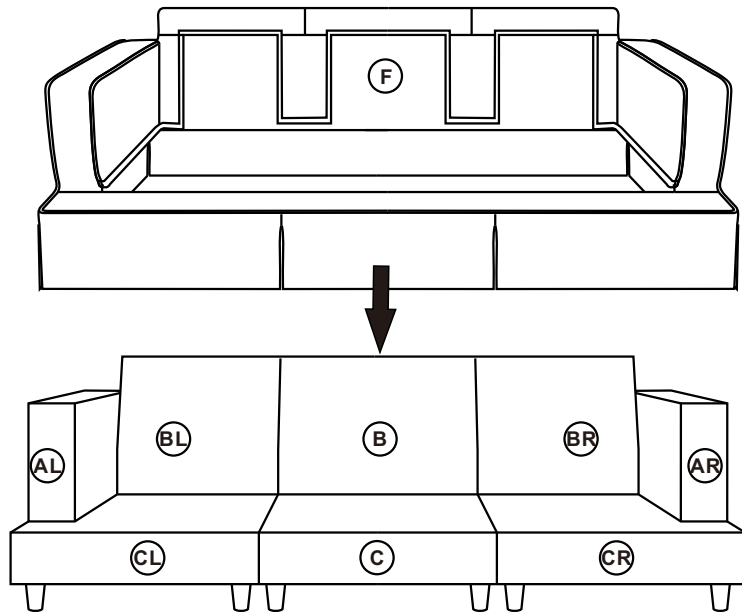
- b** x2
- d** x2
- e** x2
- c** x1
- g** x1

### STEP 8



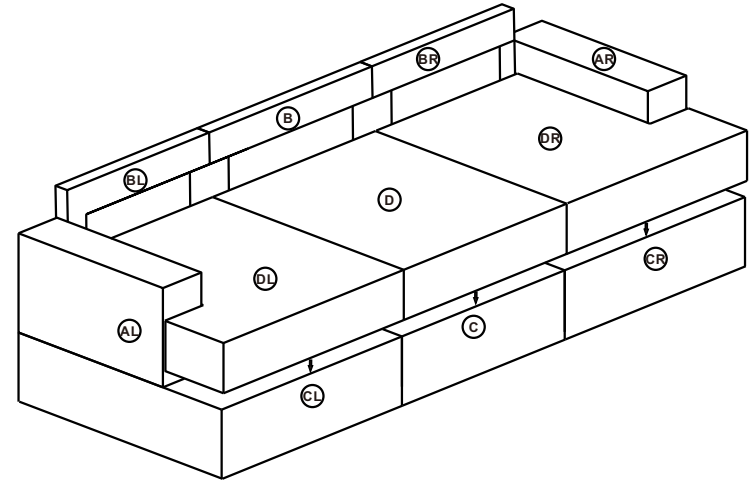
- a** x12
- h** x12

### STEP 9

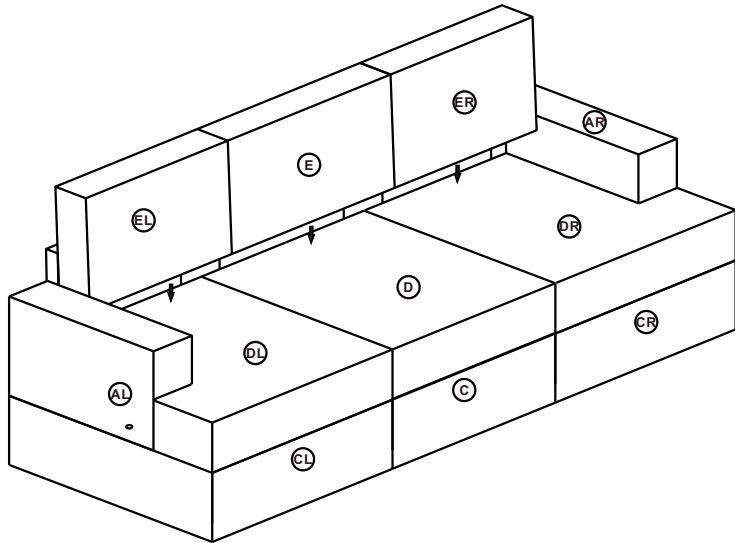


Use F (Slipcover) to cover all the components.

### STEP 10



### STEP 11



### STEP 12

