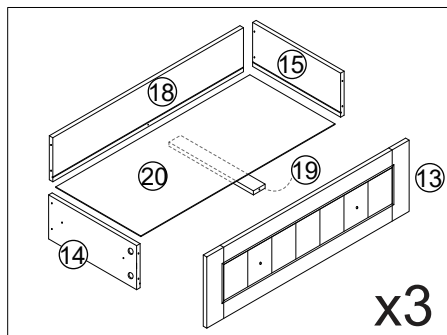
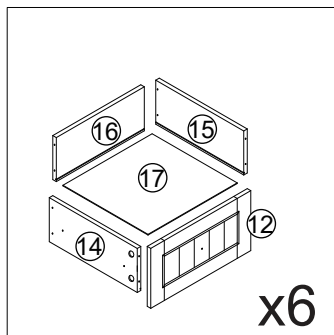
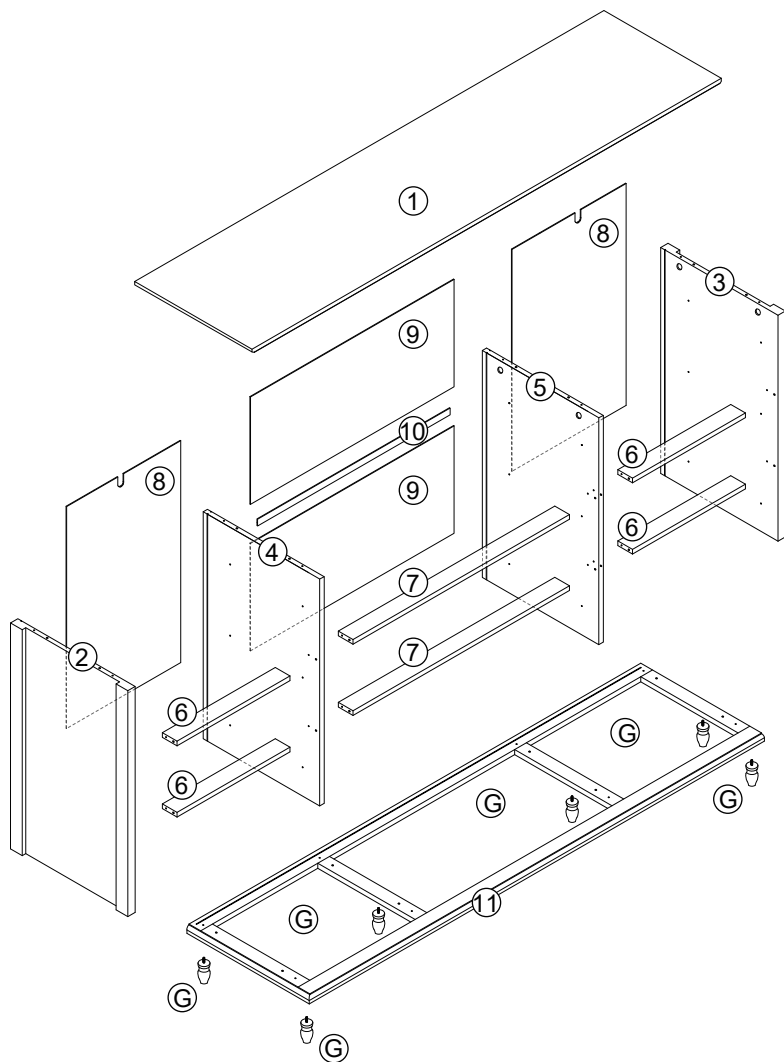
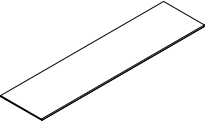

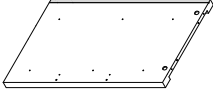
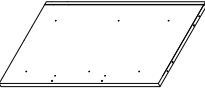
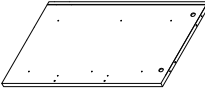
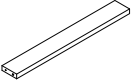
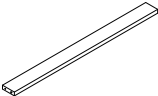


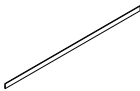
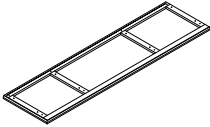
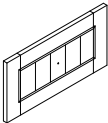
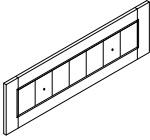
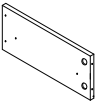
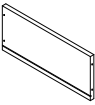
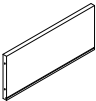
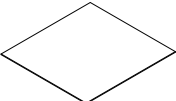
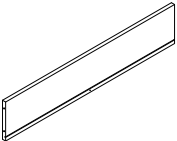

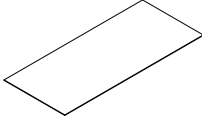


INSTALLATION INSTRUCTIONS

ASSEMBLY DIAGRAM

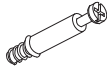

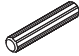

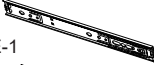



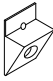





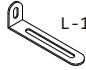



PARTS LIST

No.	Description	QTY	No.	Description	QTY	No.	Description	QTY
①		1	②		1	③		1
④		1	⑤		1	⑥		4
⑦		2	⑧		2	⑨		2
⑩		1	⑪		1	⑫		6
⑬		3	⑭		9	⑮		9
⑯		6	⑰		6	⑱		3
⑲		3	⑳		3			

CAUTION: Please confirm the parts list before installation

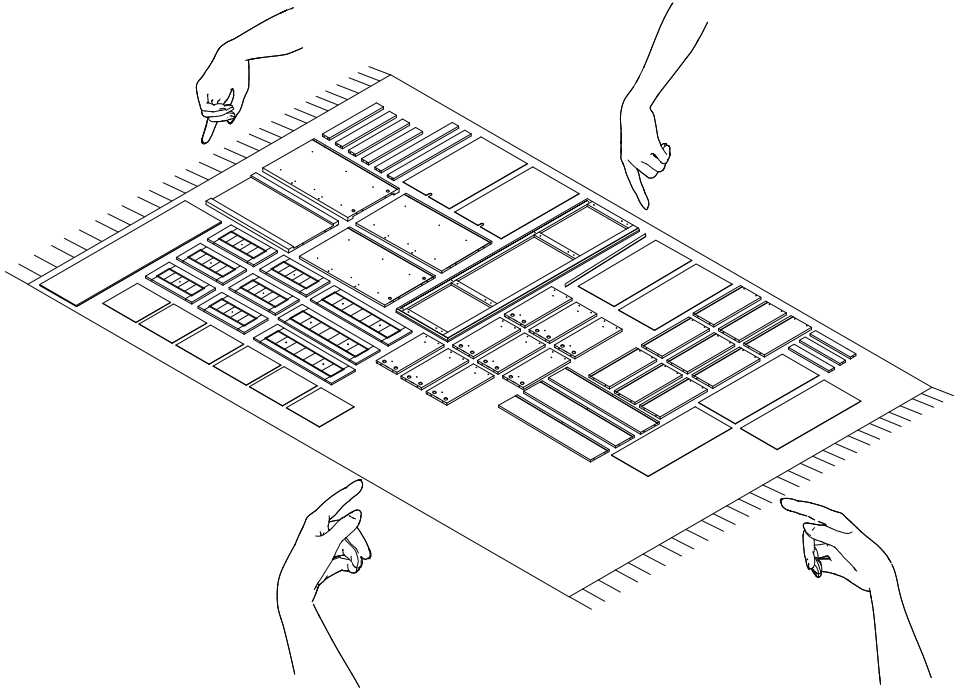
PARTS LIST

No.	Description	QTY	No.	Description	QTY	No.	Description	QTY
(A)	 +1(spare)	59	(B)	 +1(spare)	59	(C)	 M6*30 +1(spare)	28
(D)	 M3*12 +1(spare)	72	(E)	E-1  E-2 	18	(F)	 M4*35 +1(spare)	47
(G)		6	(H)	H-1  H-2  3x16mm +1(spare)	12	(I)	I-1  I-2  3.5*40mm	2
(J)	 M4*8 +1(spare)	12	(K)		12	(L)	L-1  L-2  M4*14	2

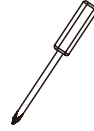
CAUTION: Please confirm the parts list before installation

Layout Parts on Soft Surface

Lay out all parts on a soft surface i.e. Rug, Carpet or Packaging Carton

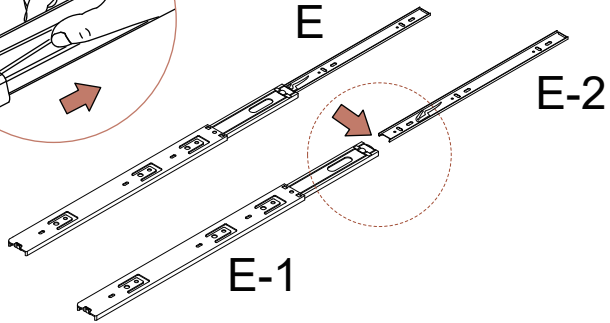
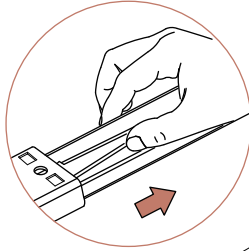


YOU MAY NEED (NOT SUPPLIED)



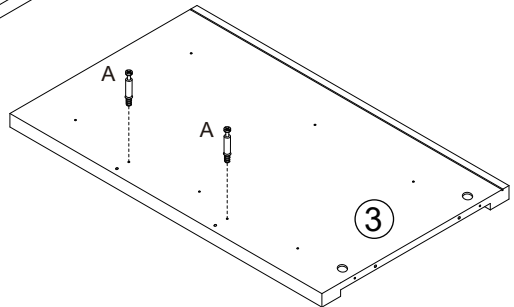
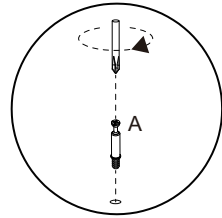
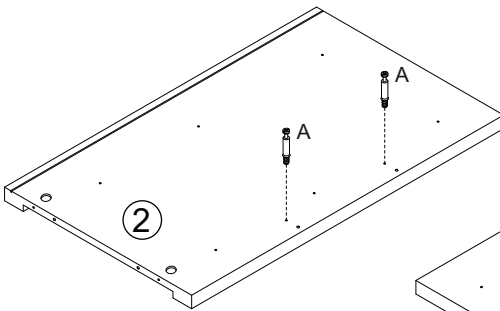
INSTALLATIONS

STEP 1

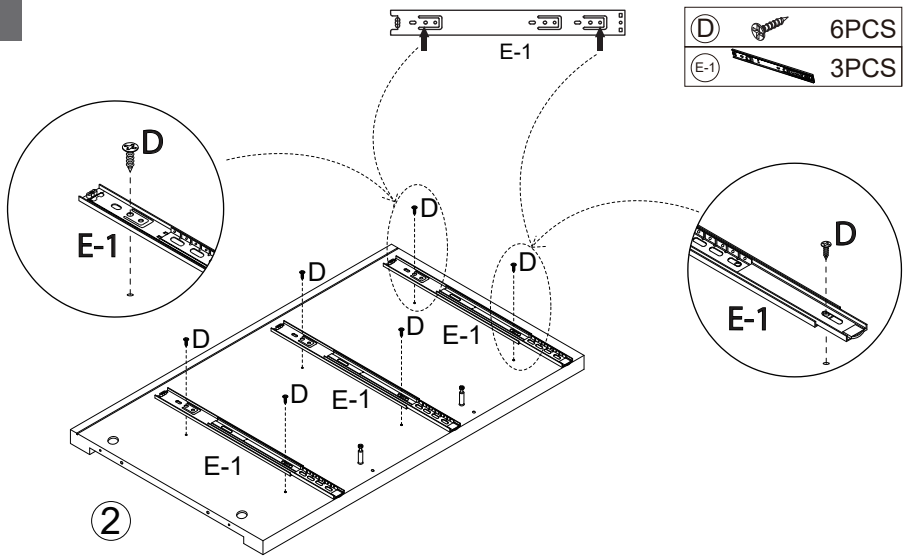


STEP 2

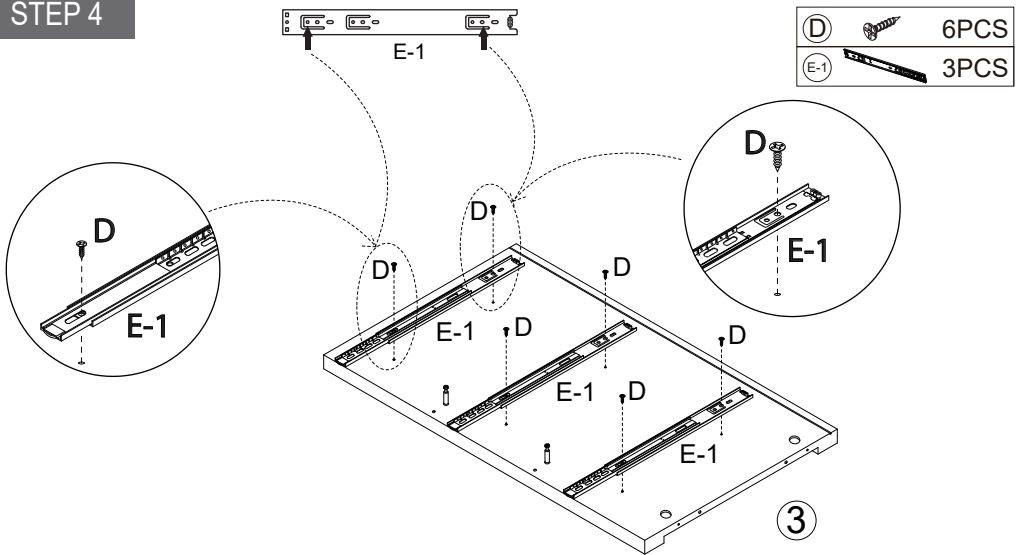
A  4PCS



STEP 3

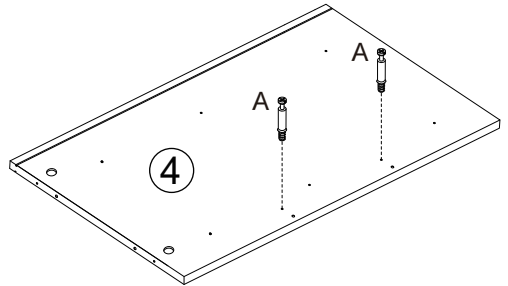
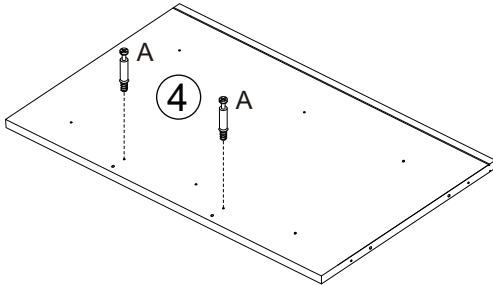


STEP 4



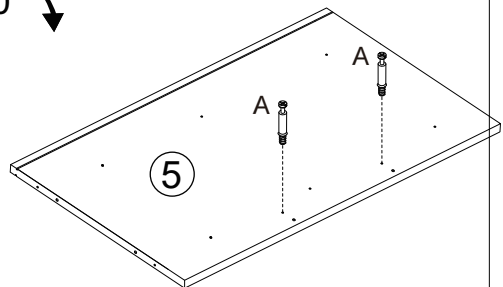
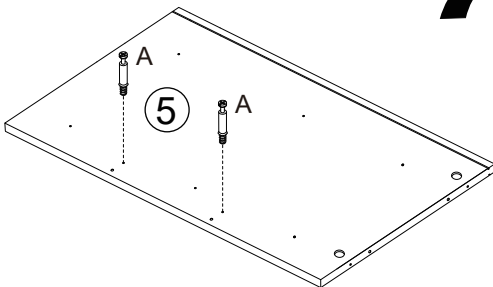
STEP 5

(A)  4PCS



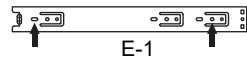
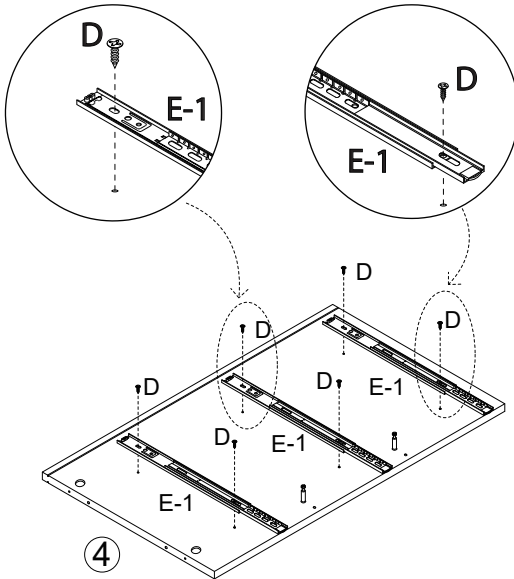
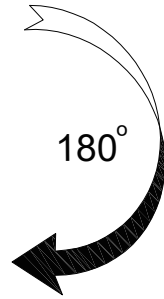
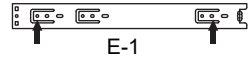
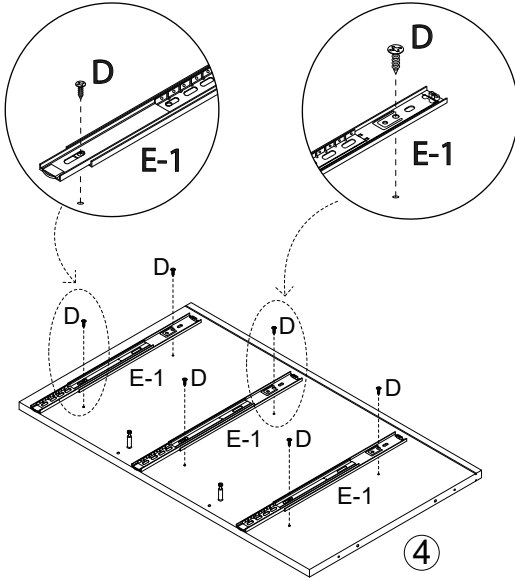
STEP 6

(A)  4PCS



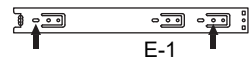
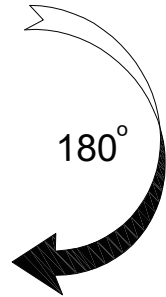
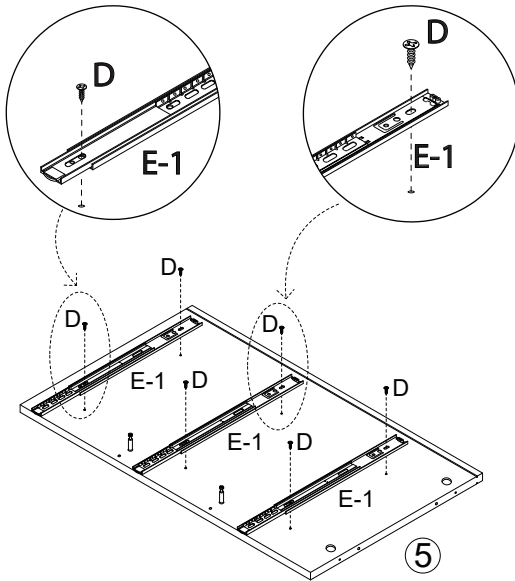
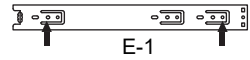
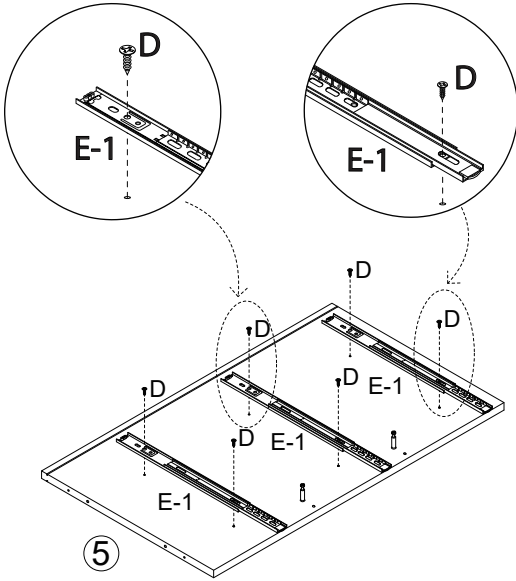
STEP 7

D		12PCS
E-1		6PCS



STEP 8

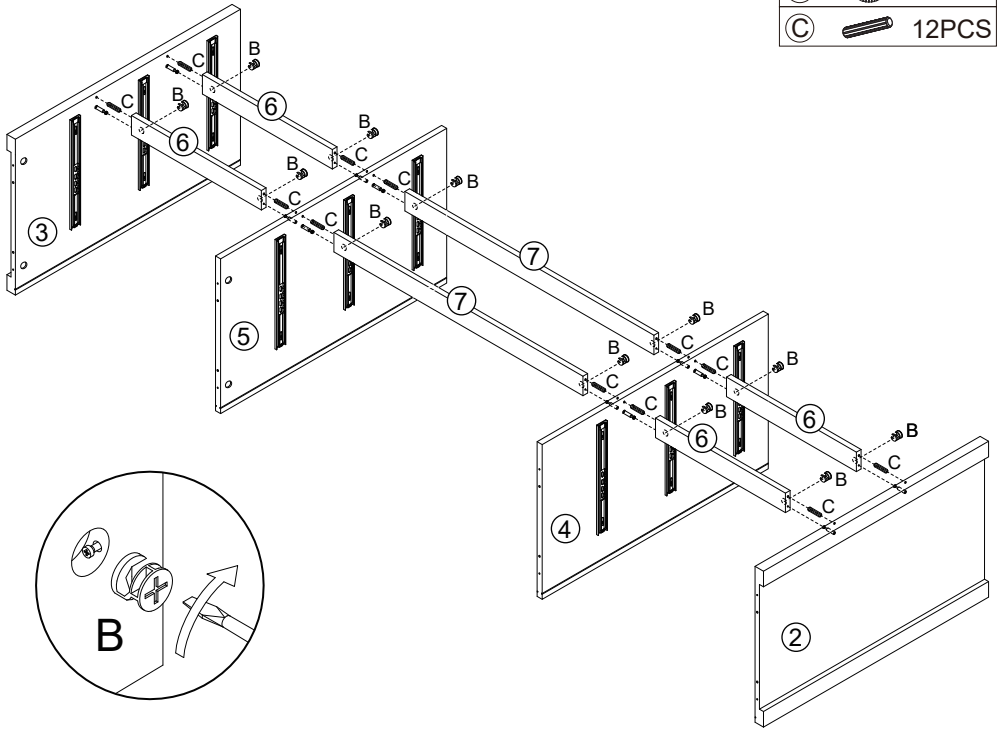
D		12PCS
E-1		6PCS



STEP 9

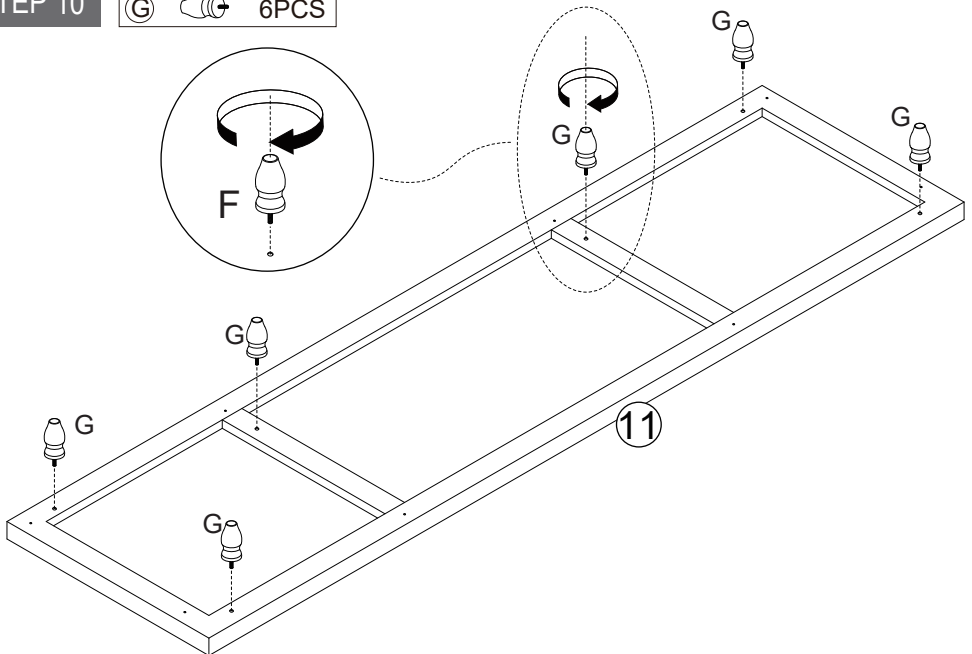
B  12PCS

C  12PCS





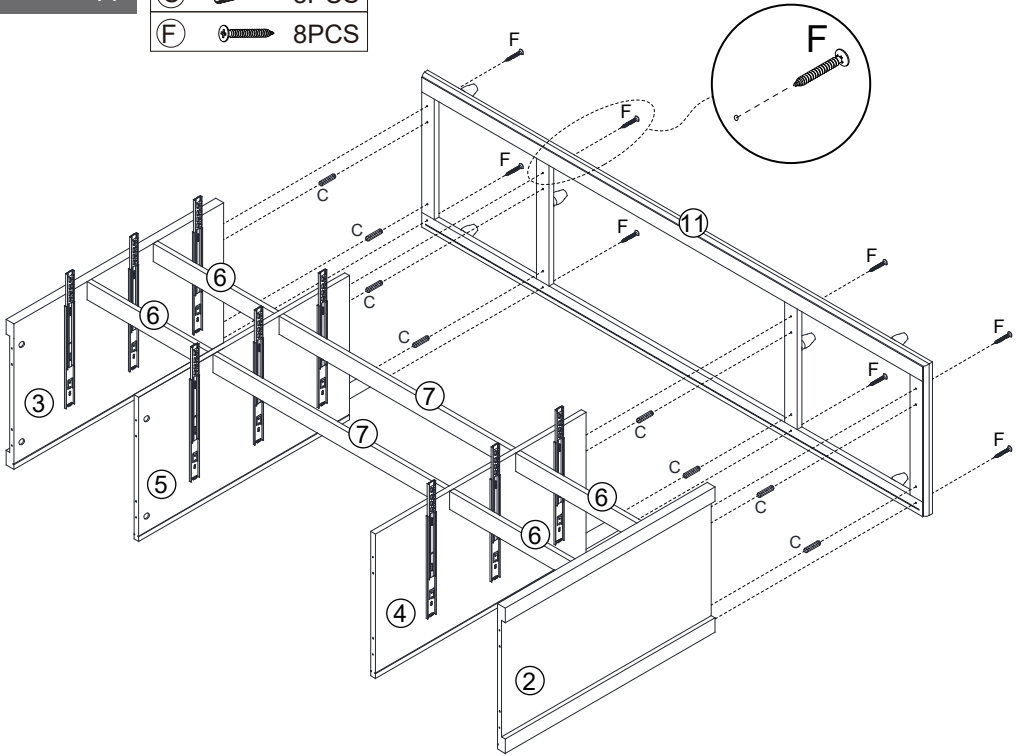
STEP 10

G  6PCS

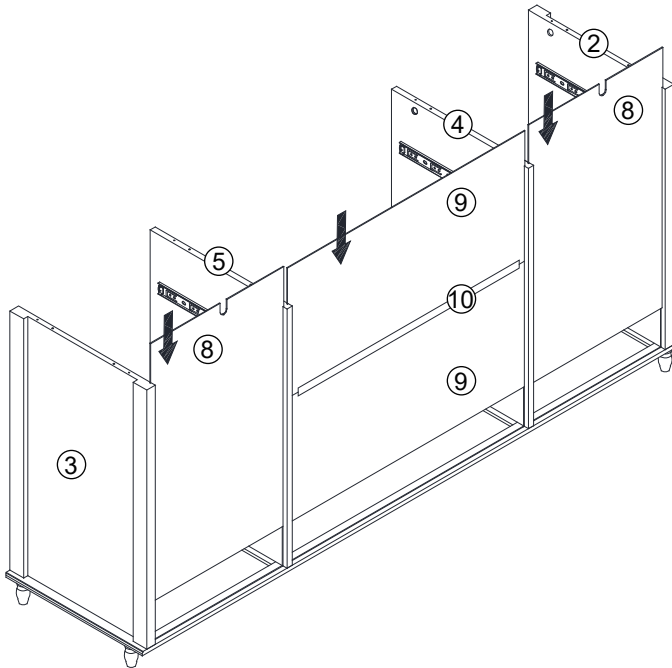


STEP 11

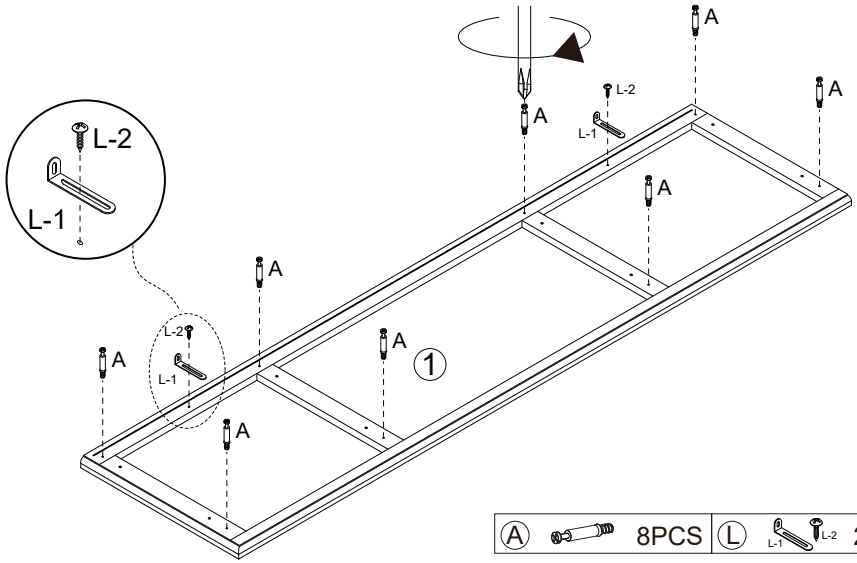
- (C)  8PCS
- (F)  8PCS



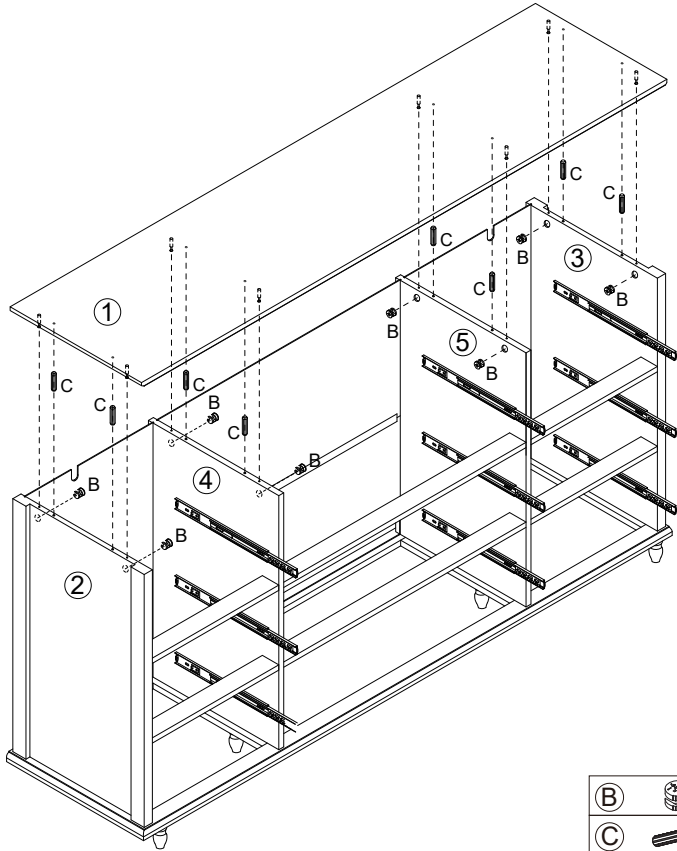
STEP 12



STEP 13

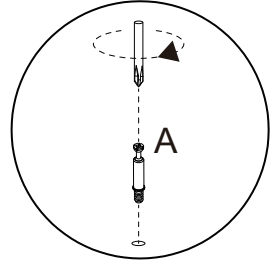
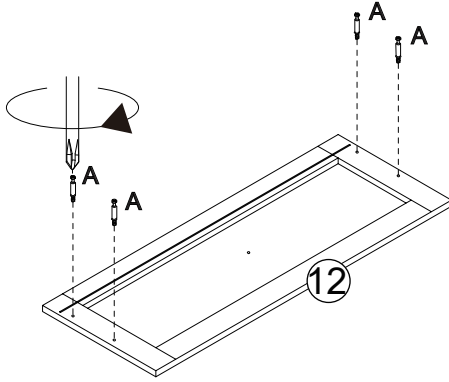


STEP 14



STEP 15

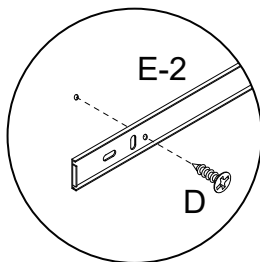
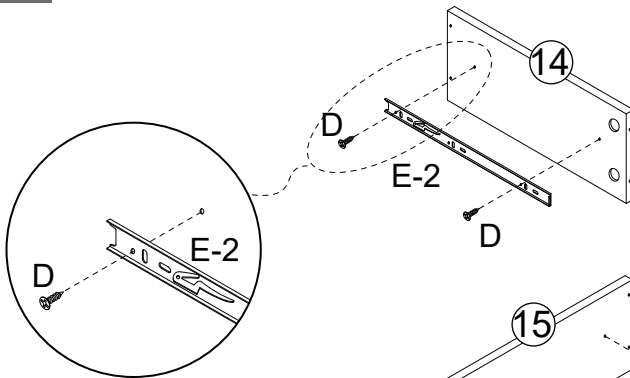
(A)  24PCS



x6

STEP 16

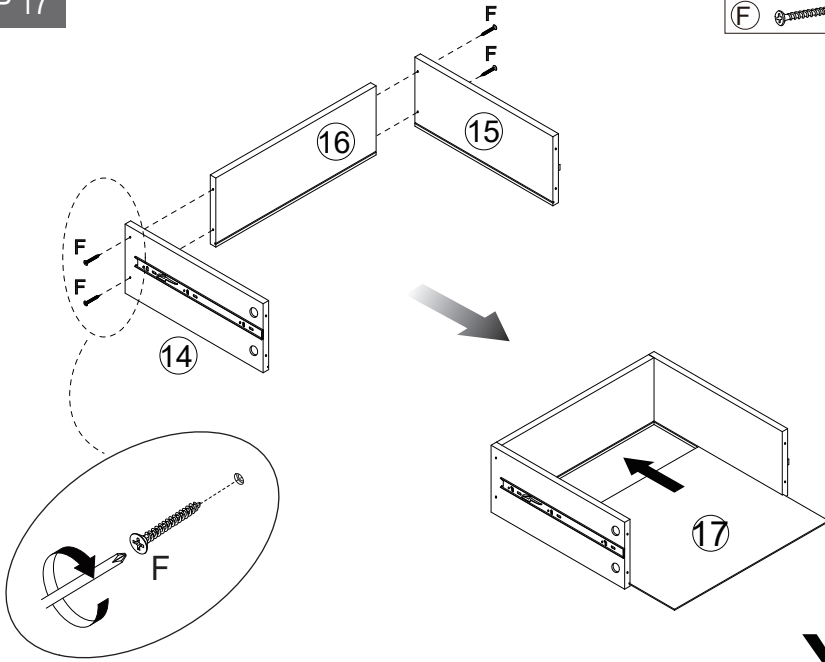
(D)  24PCS
(E-2)  12PCS



x6

STEP 17

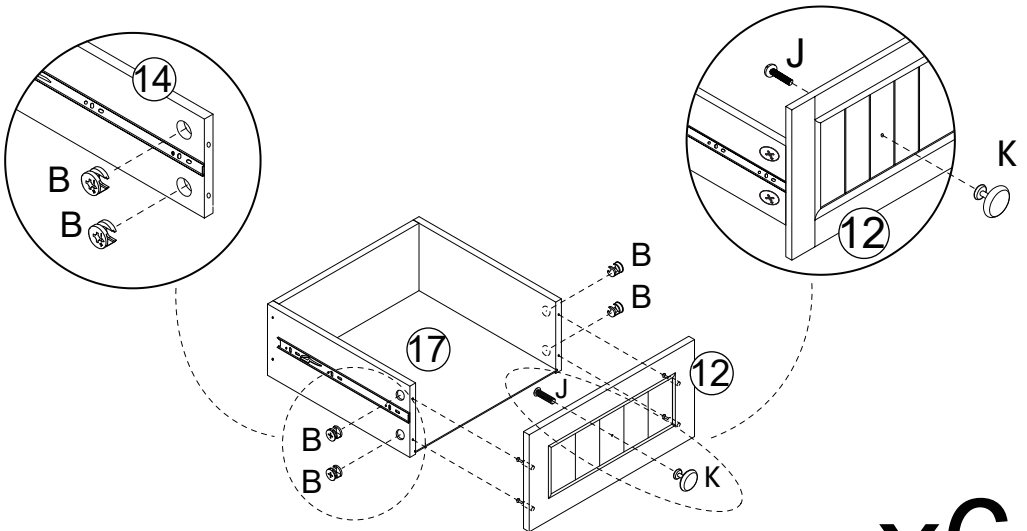
(F)  24PCS



x6

STEP 18

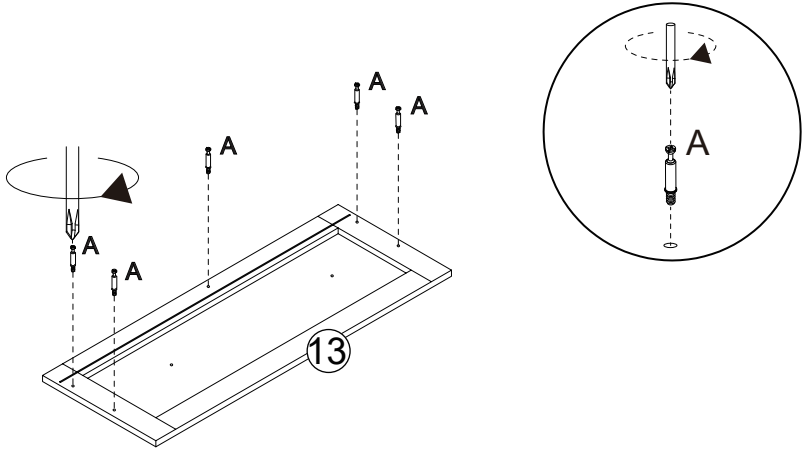
(B)  24PCS (J)  6PCS (K)  6PCS



x6

STEP 19

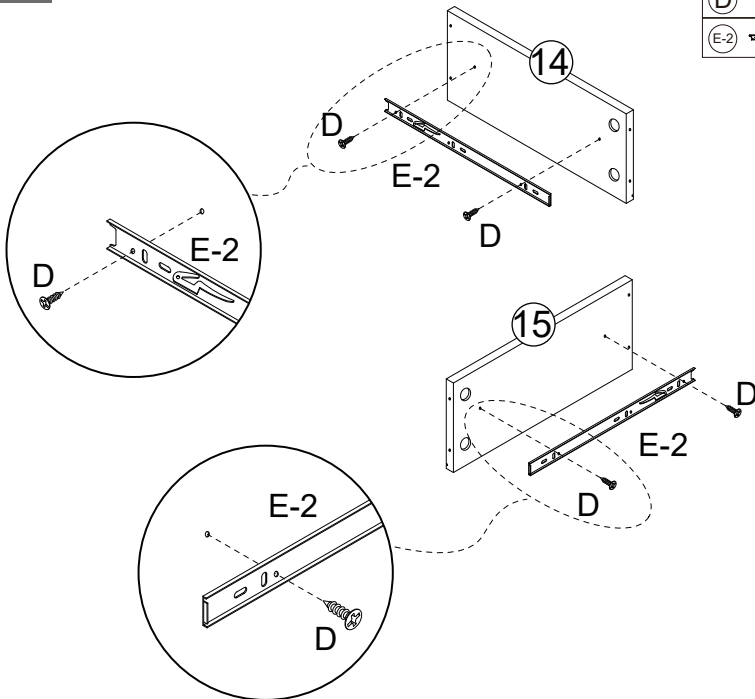
(A)  15PCS



x3

STEP 20

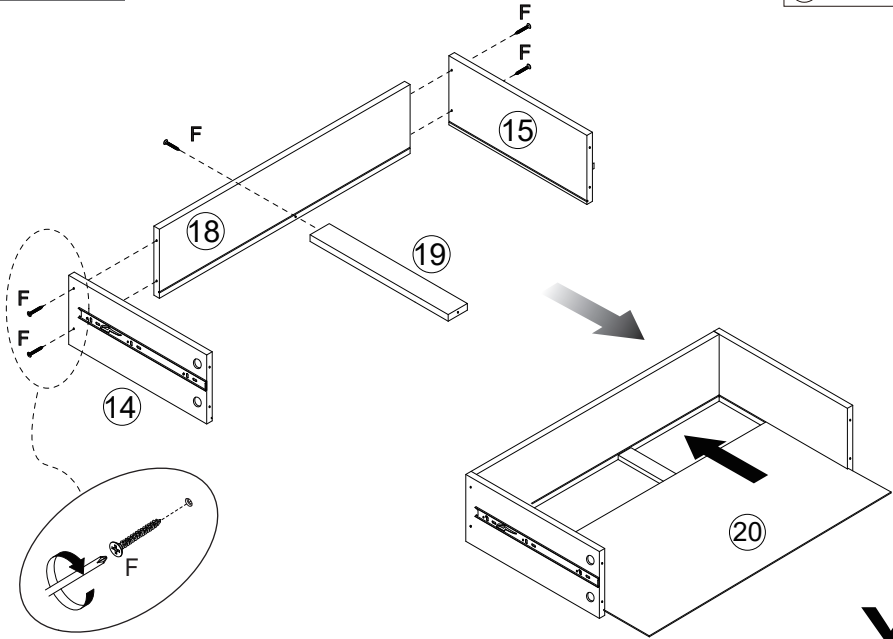
(D)  12PCS
(E-2)  6PCS



x3

STEP 21

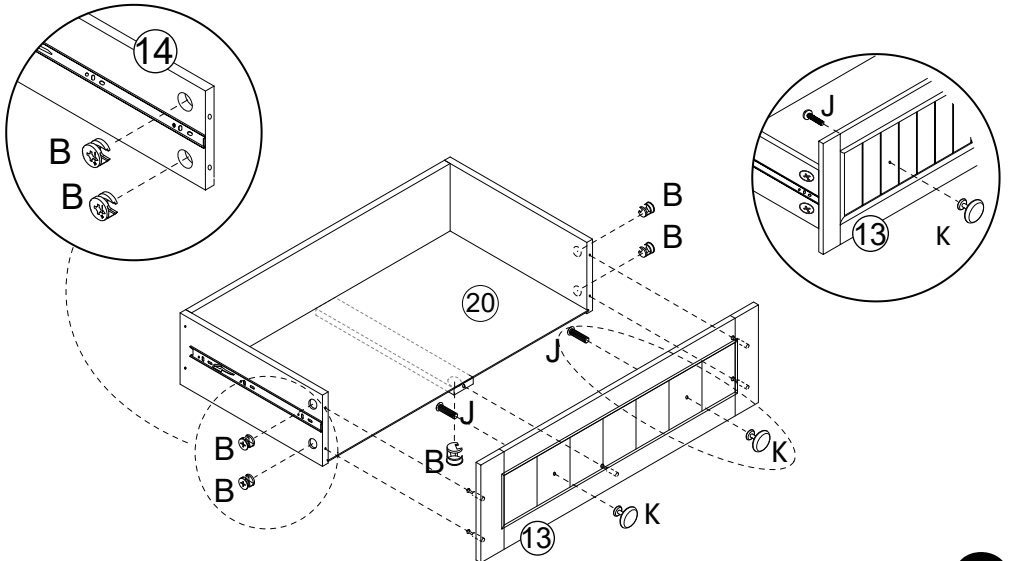
F  15PCS



x3

STEP 22

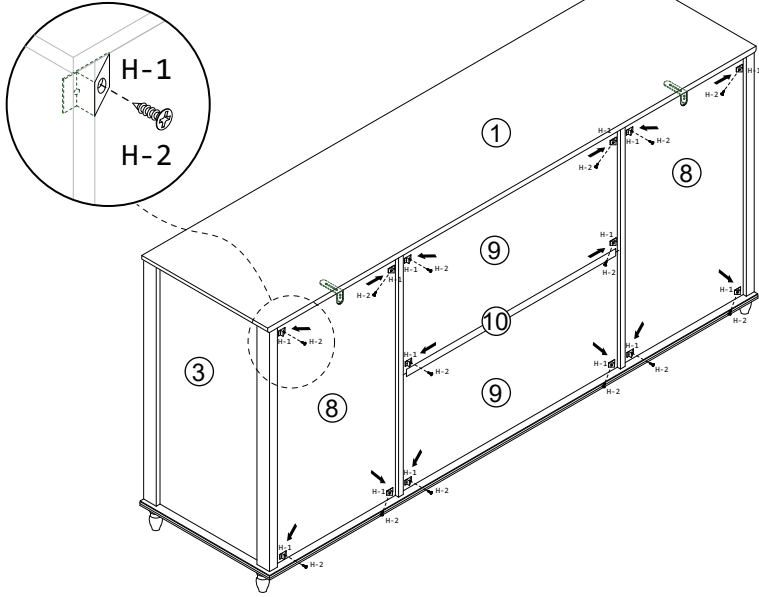
B  15PCS J  6PCS K  6PCS



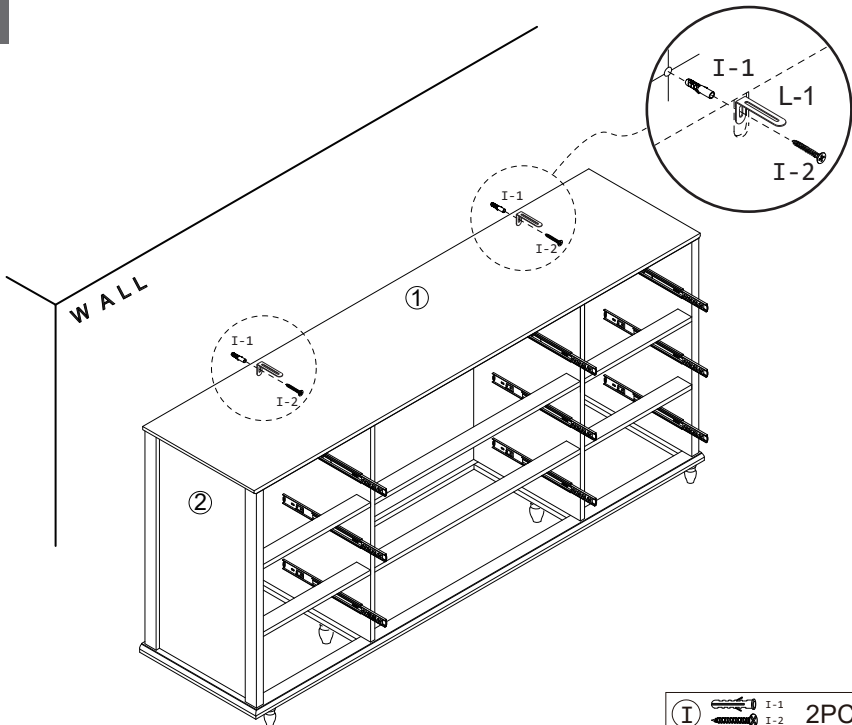
x3

STEP 23

(H)  12PCS

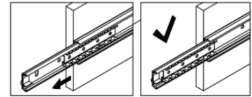
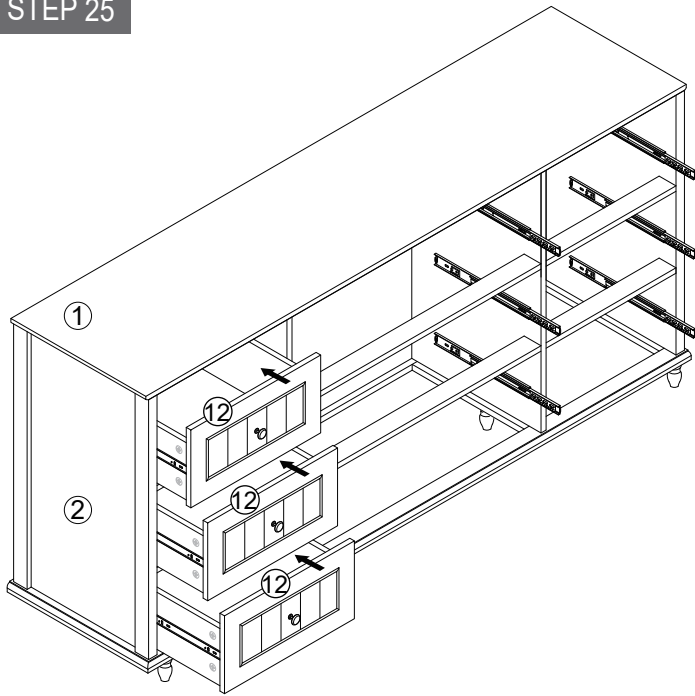


STEP 24

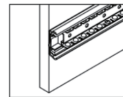


(I)  2PCS

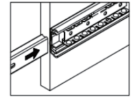
STEP 25



1. Pull out slide. Slide bearings forward.

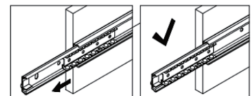
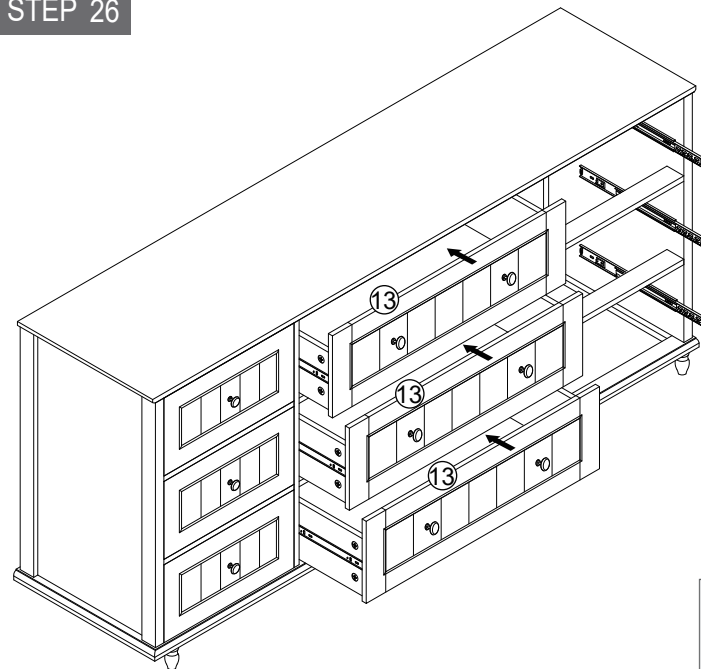


2. Push slide back inside. Repeat for every slide!

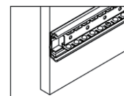


3. Insert into slide slot correctly, push the drawer into the cabinet body with even force

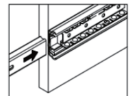
STEP 26



1. Pull out slide. Slide bearings forward.

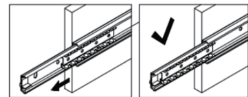
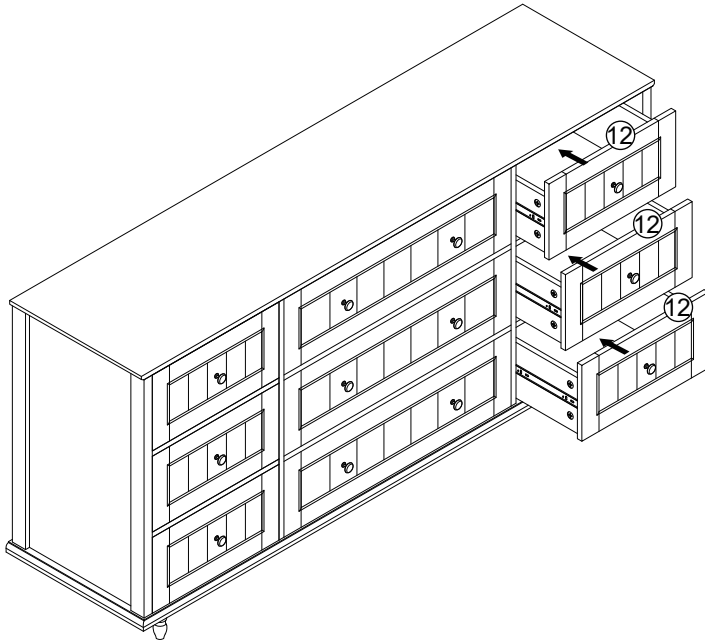


2. Push slide back inside. Repeat for every slide!

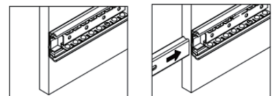


3. Insert into slide slot correctly, push the drawer into the cabinet body with even force

STEP 27

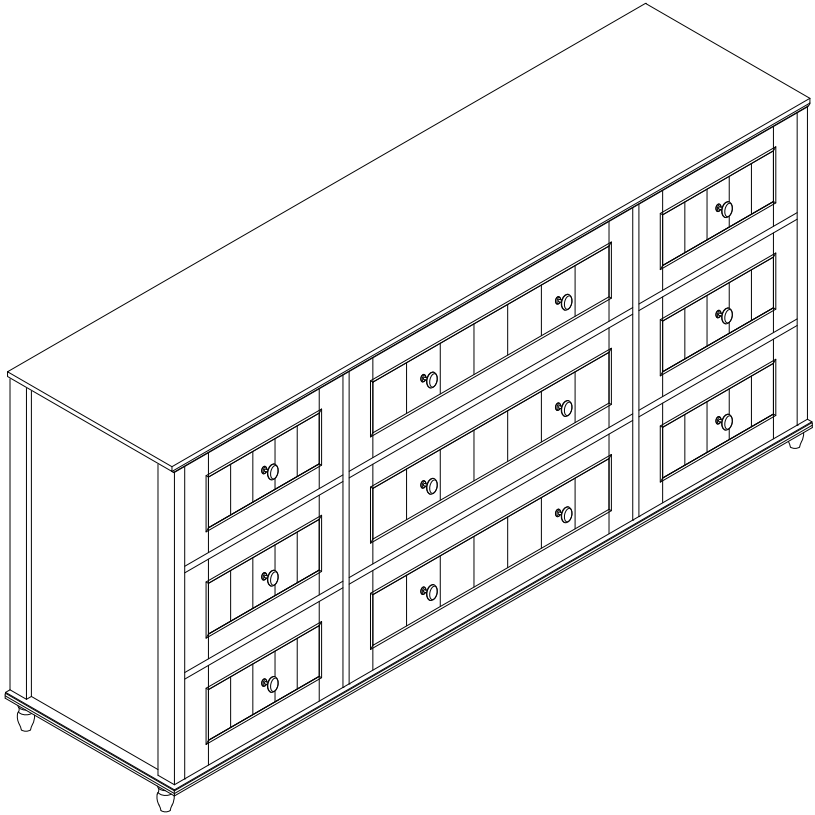


1. Pull out slide. Slide bearings forward.



2. Push slide back inside.
Repeat for every slide!

3. Insert into slide slot correctly,
push the drawer into the
cabinet body with even force



Thank you very much for purchasing from us.

We have always been trying to provide the best service and reliable products for every customer.

However, accident may happen sometimes, please contact us to resolve any issue before leaving a negative feedback.

Many thanks and welcome to our shop again!