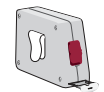
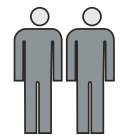
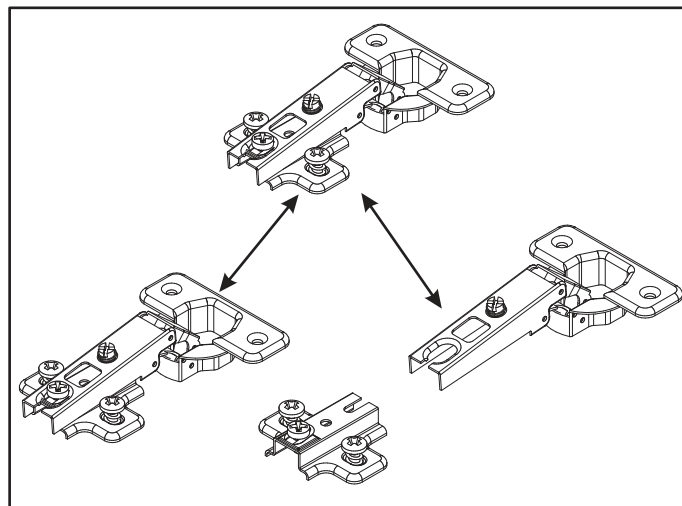
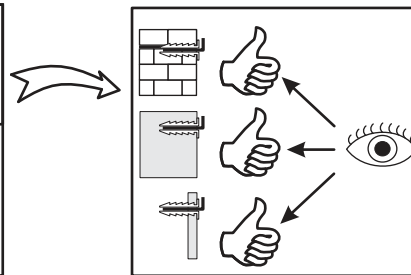
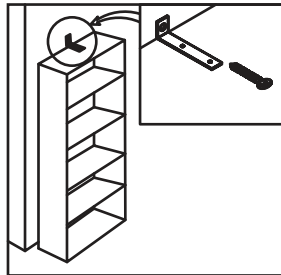
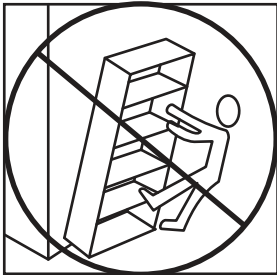
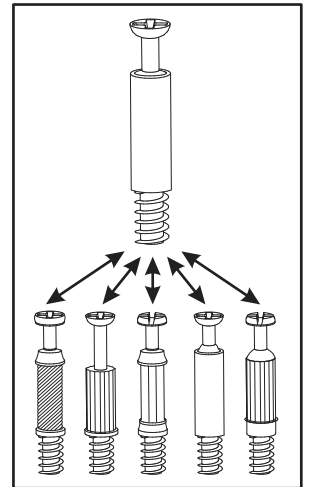
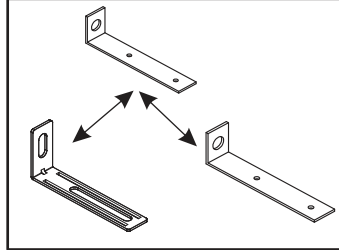
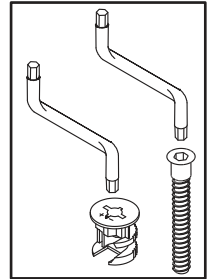
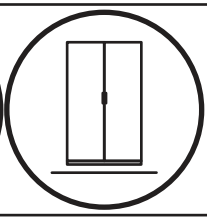
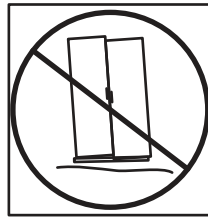
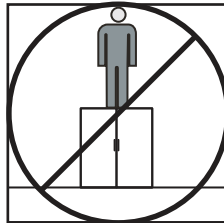
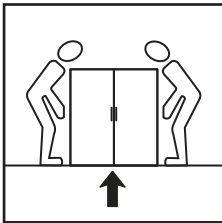
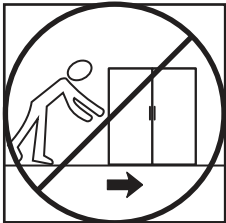
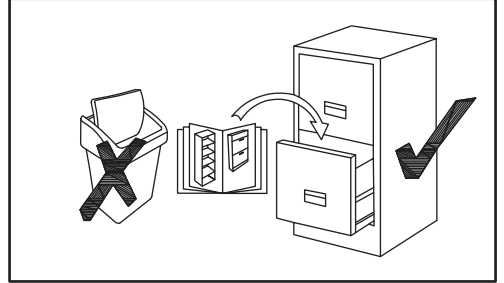
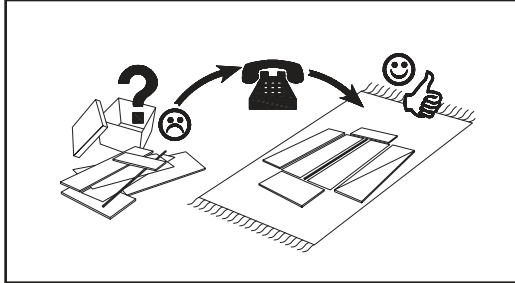
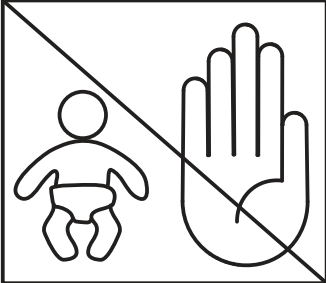
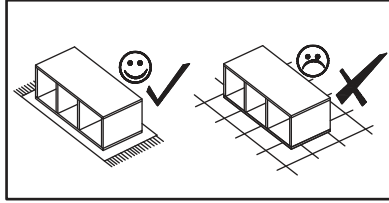
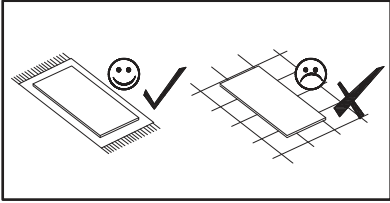


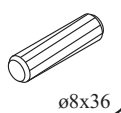
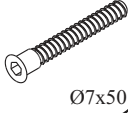

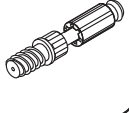

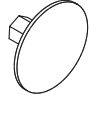
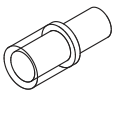
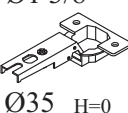
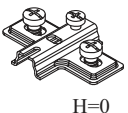
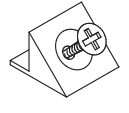
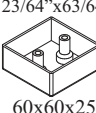





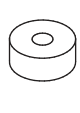

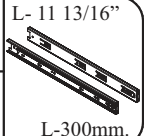

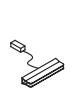
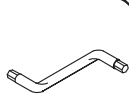
NO	Dim			Col.-No	Qty
1	414	330	16	1	1
2	414	330	16	1	1
10	414	506	16	1	2
11	574	194	16	1	2
12	300	100	16	1	2
13	300	100	16	1	2
15	517	304	3	1	2
14	505	80	16	1	2
7	562	60	16	1	1
16	1578	213	3	2	1
17	1578	213	3	2	1
5	414	310	16	1	1
6	414	310	16	1	1
8	484	215	5	1	2
9	560	215	5	1	1
3	1600	330	16	2	1
4	1600	350	16	2	1

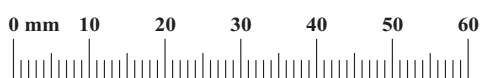
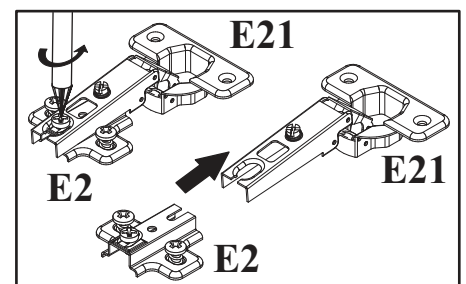
NO	Inch			Col.-No	Qty
1	16 19/64	12 63/64	5/8	1	1
2	16 19/64	12 63/64	5/8	1	1
10	16 19/64	19 59/64	5/8	1	2
11	22 19/32	7 41/64	5/8	1	2
12	11 13/16	3 15/16	5/8	1	2
13	11 13/16	3 15/16	5/8	1	2
15	20 23/64	11 31/32	1/8	1	2
14	19 7/8	3 5/32	5/8	1	2
7	22 1/8	2 23/64	5/8	1	1
16	62 1/8	8 25/64	1/8	2	1
17	62 1/8	8 25/64	1/8	2	1
5	16 19/64	12 13/64	5/8	1	1
6	16 19/64	12 13/64	5/8	1	1
8	19 1/16	8 15/32	13/64	1	2
9	22 3/64	8 15/32	13/64	1	1
3	62 63/64	12 63/64	5/8	2	1
4	62 63/64	12 63/64	5/8	2	1



120 min



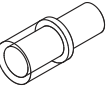
A1 x24	$\varnothing 5/16'' \times 1 27/64''$  $\varnothing 8 \times 36$	B11 x8	$\varnothing 9/32'' \times 1 31/32''$  $\varnothing 7 \times 50$	G4 x4		B4 x20		B5 x20	$\varnothing 19/32'' \times 15/32''$  $\varnothing 15 \times 12$	G5 x20	
G20 x12		E21 x4	$\varnothing 1 3/8$  $\varnothing 35$ H=0	E2 x4	 H=0	S1 x18		ST21 X8	$2 23/64'' \times$ $2 23/64'' \times 63/64''$  60x60x25	D6 x16	$US \varnothing 9/64'' \times 1 3/16''$  US $\varnothing 3,5 \times 30$
UP13 x12	$US \varnothing 1/8'' \times 5/8''$  UP $\varnothing 3 \times 16$	D10 x20	$US \varnothing 9/64'' \times 33/64''$  US $\varnothing 3,5 \times 13$	D20 x8	$ES \varnothing 15/64'' \times 3/8''$  ES $\varnothing 6 \times 9,5$	EK10 x3	$EK \varnothing 15/64'' \times 5/8''$  EK $\varnothing 6,3 \times 16$	DS1 x3		OD1 x2	
H8 x2	L- $11 13/16''$  L-300mm.	LZ3 x1		LED X4		G2 x1					

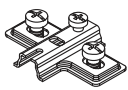


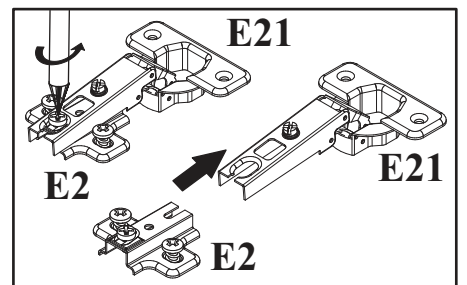
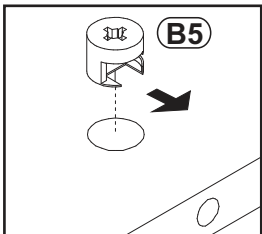
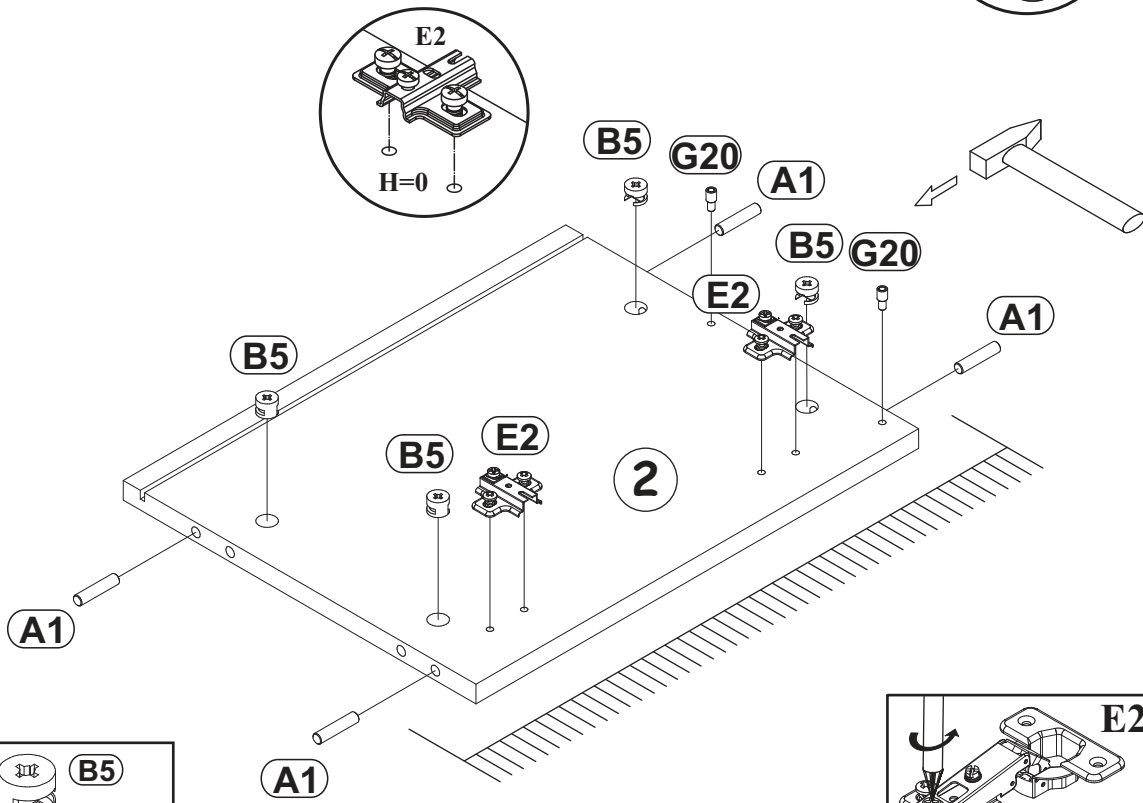
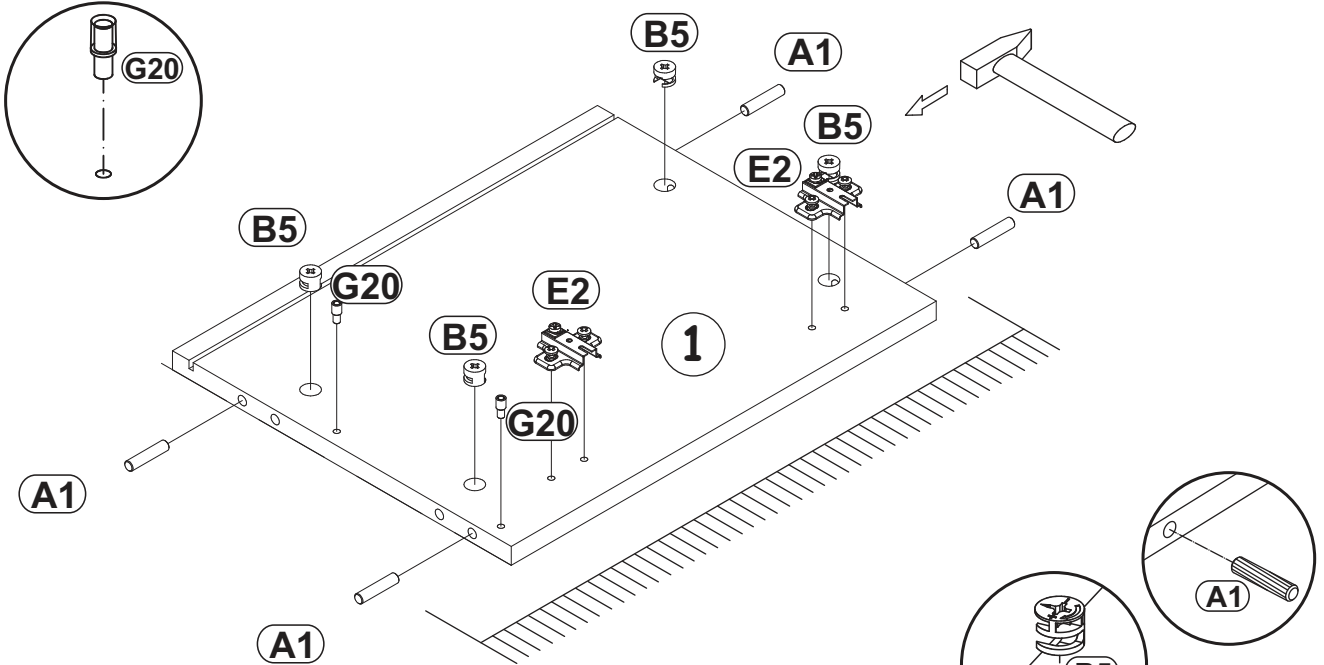
1

A1	Ø5/16"x1 27/64"
x8	ø8x36

B5	Ø19/32"x15/32"
x8	Ø15x12

G20	
x4	

E2	
x4	H=0



**A1** Ø5/16"x1 27/64"  
x4  
ø8x36

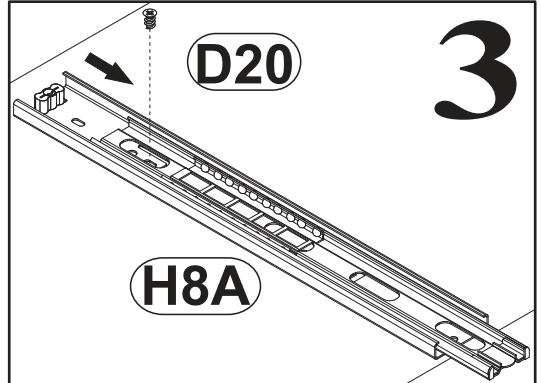
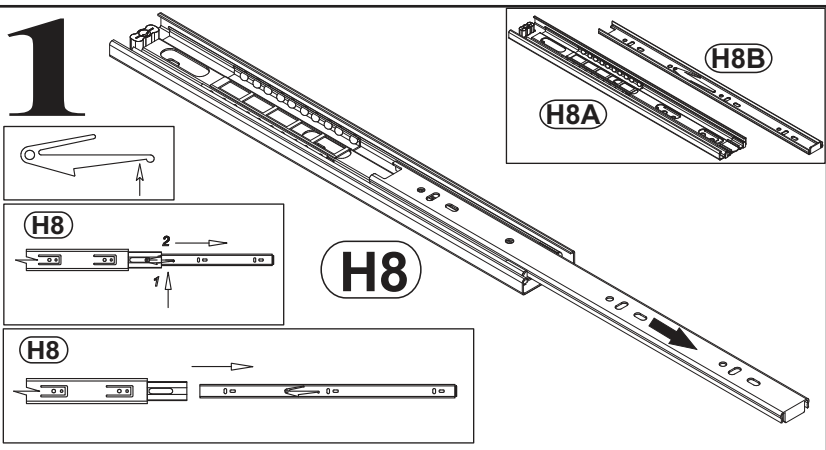
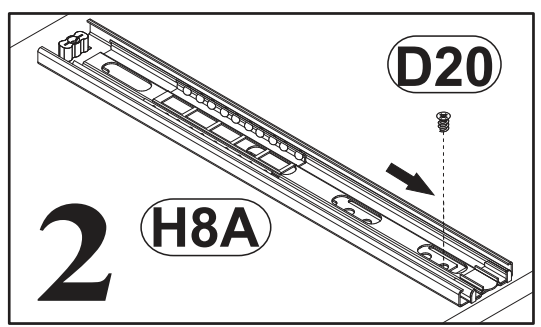
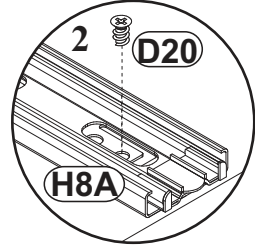
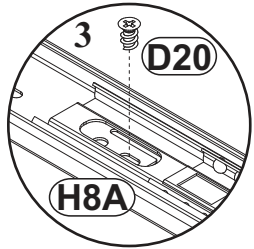
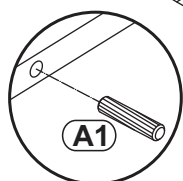
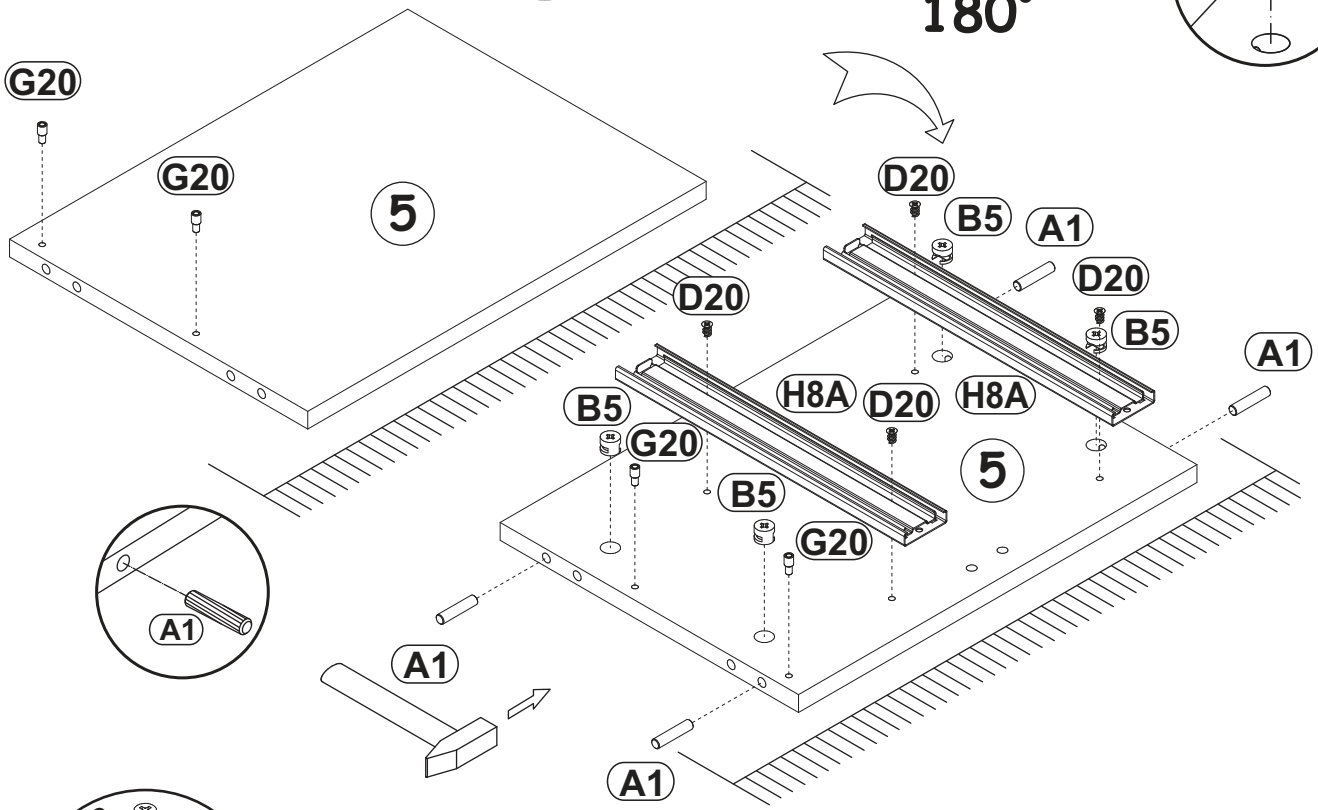
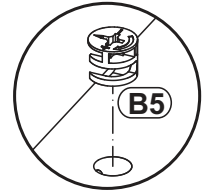
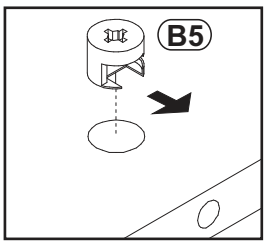
**B5** Ø19/32"x15/32"  
x4  
Ø15x12

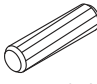
**H8** L- 13 25/32"  
x2  
L-350mm.


**D20** ESØ15/64"x3/8"  
x4  
ESØ6x9,5

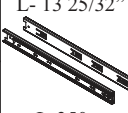
**G20**  
x4


**2**

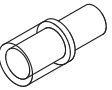


A1	Ø5/16"x1 27/64"
x4	 ø8x36

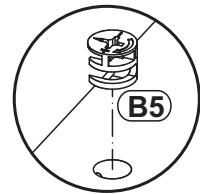
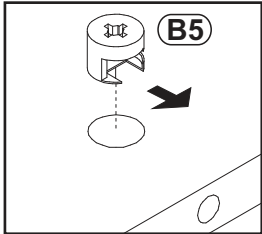
B5	Ø19/32"x15/32"
x4	 Ø15x12

H8	L- 13 25/32"
x2	 L-350mm.

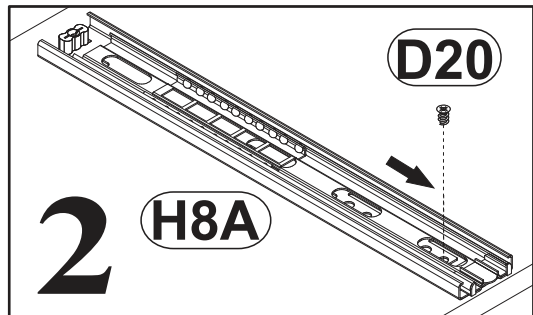
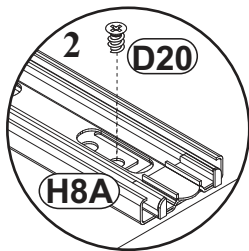
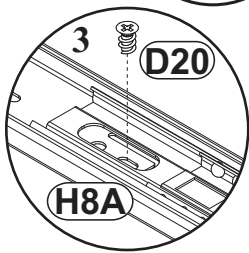
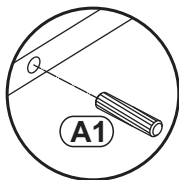
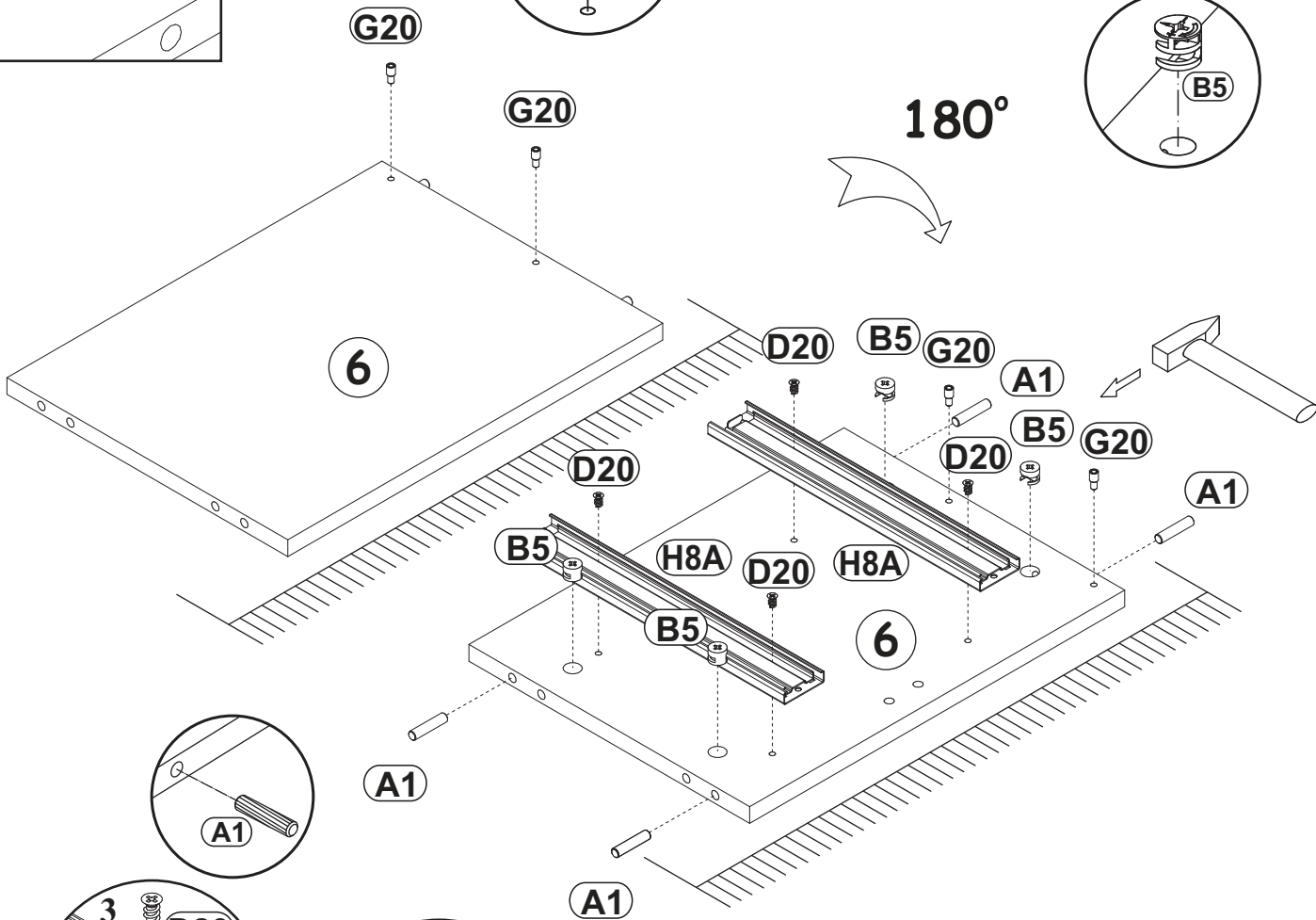
D20	ESØ15/64"x3/8"
x4	 ESØ6x9,5

G20	
x4	

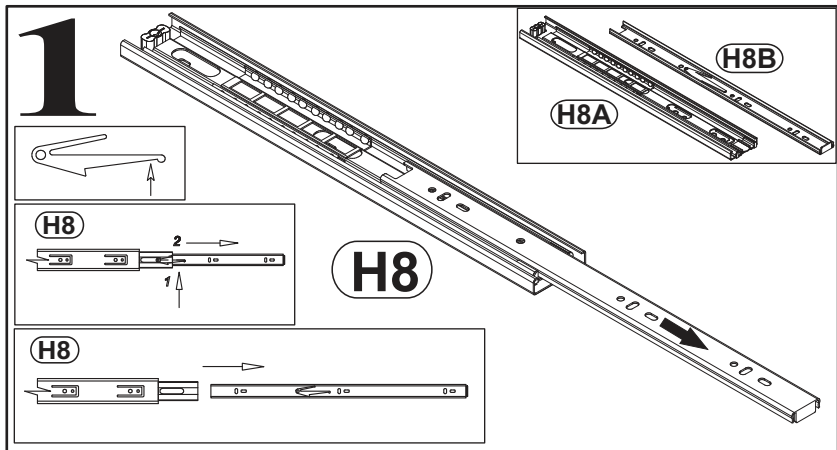
3



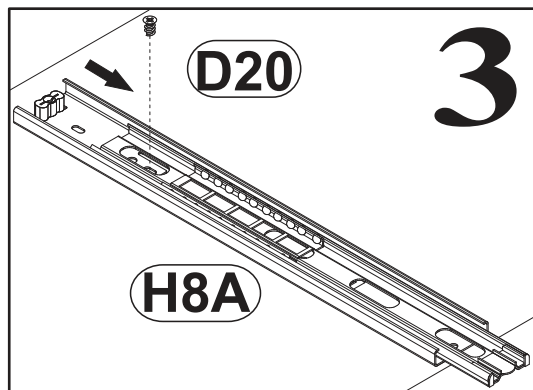
180°



2

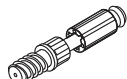


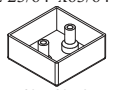
1




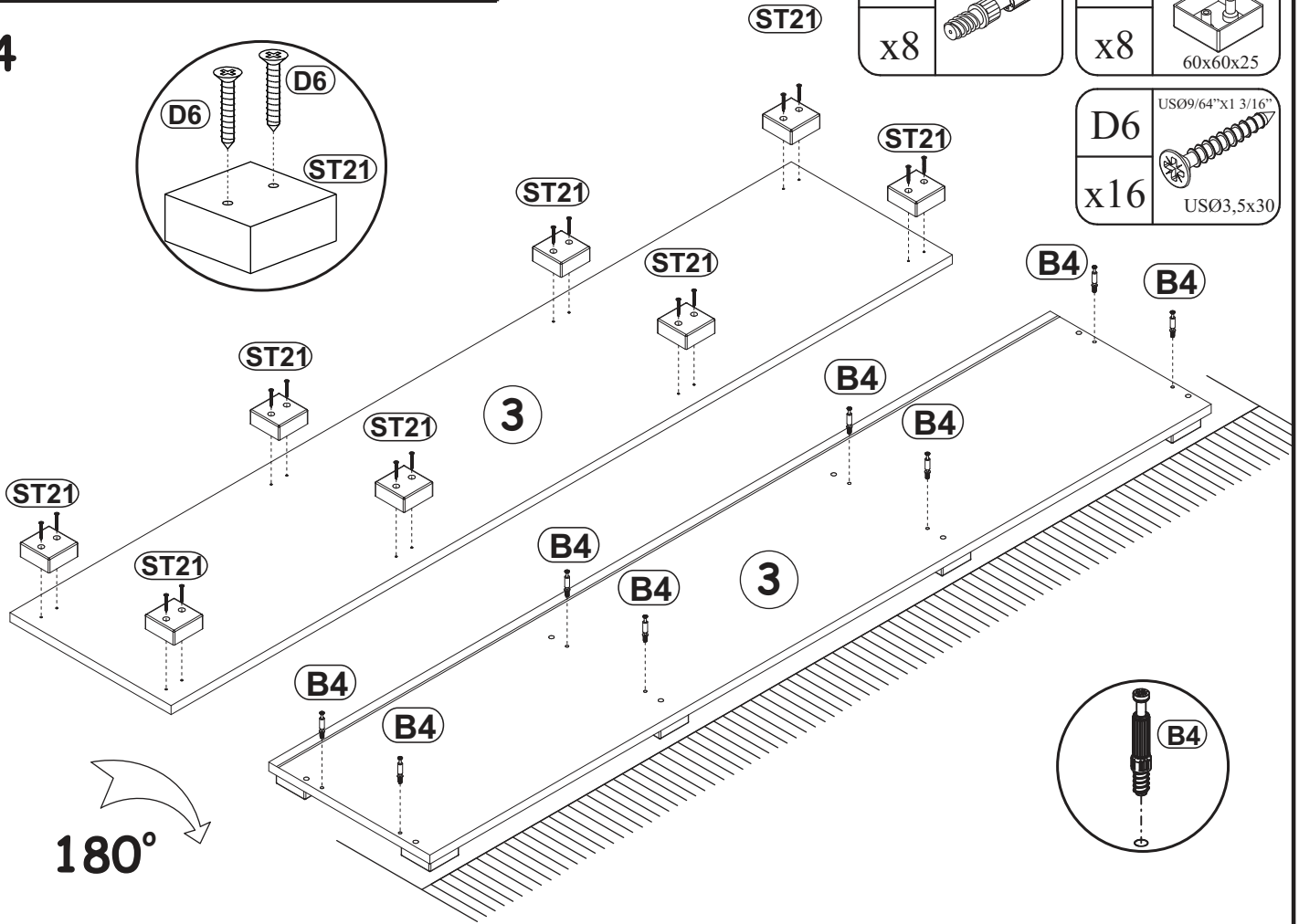
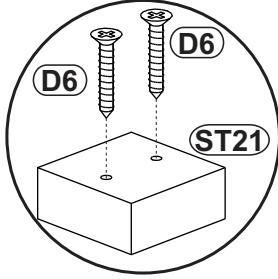
3

4

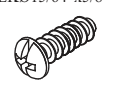
B4	
x8	

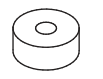
ST21	
x8	2 23/64" x 2 23/64" x 63/64" 60x60x25

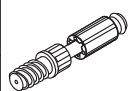
D6	
x16	US09/64" x 1 3/16" US03,5x30

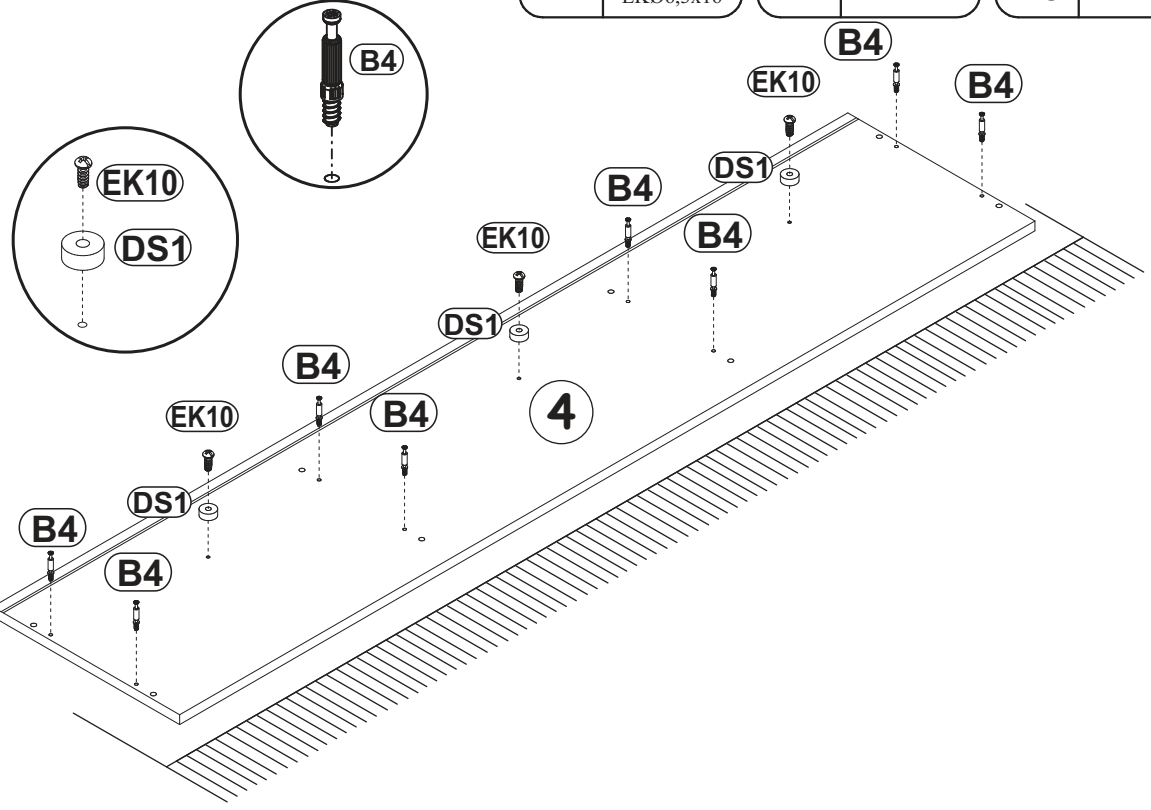


5

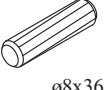
EK10	
x3	EK015/64" x 5/8" EK06,3x16

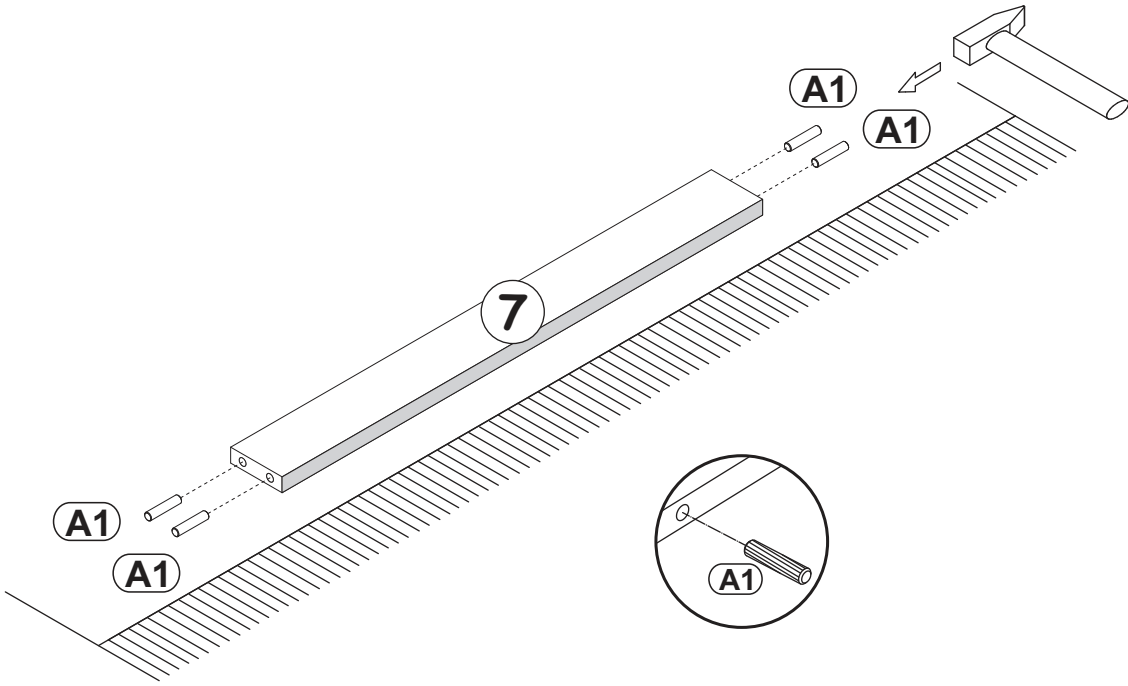
DS1	
x3	

B4	
x8	




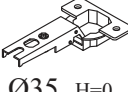
6

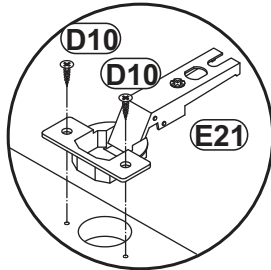
A1	Ø5/16"x1 27/64"
x4	 ø8x36



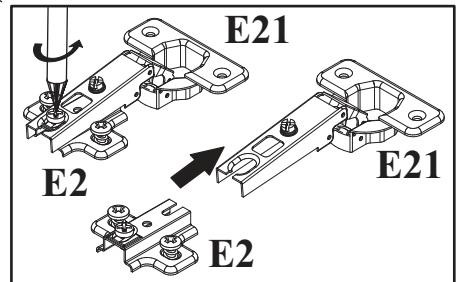
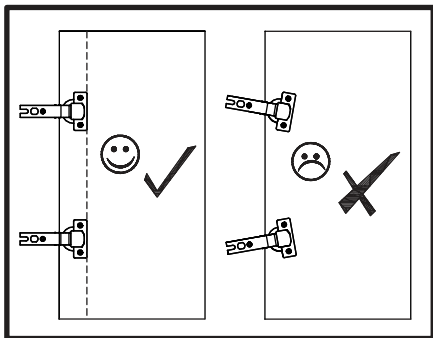
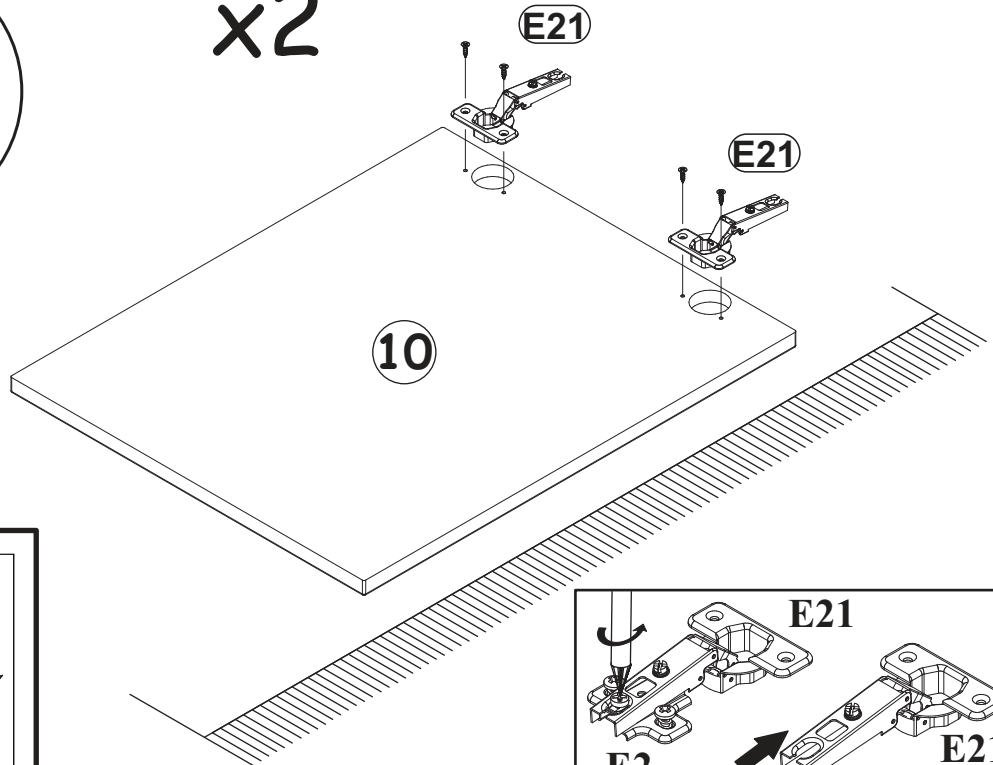
7

D10	USØ9/64"x33/64"
x8	 USØ3,5x13

E21	Ø1 3/8
x4	 Ø35 H=0

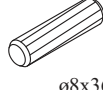



x2

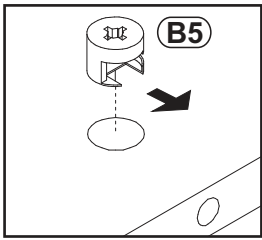
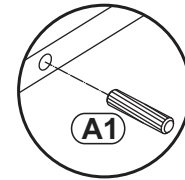
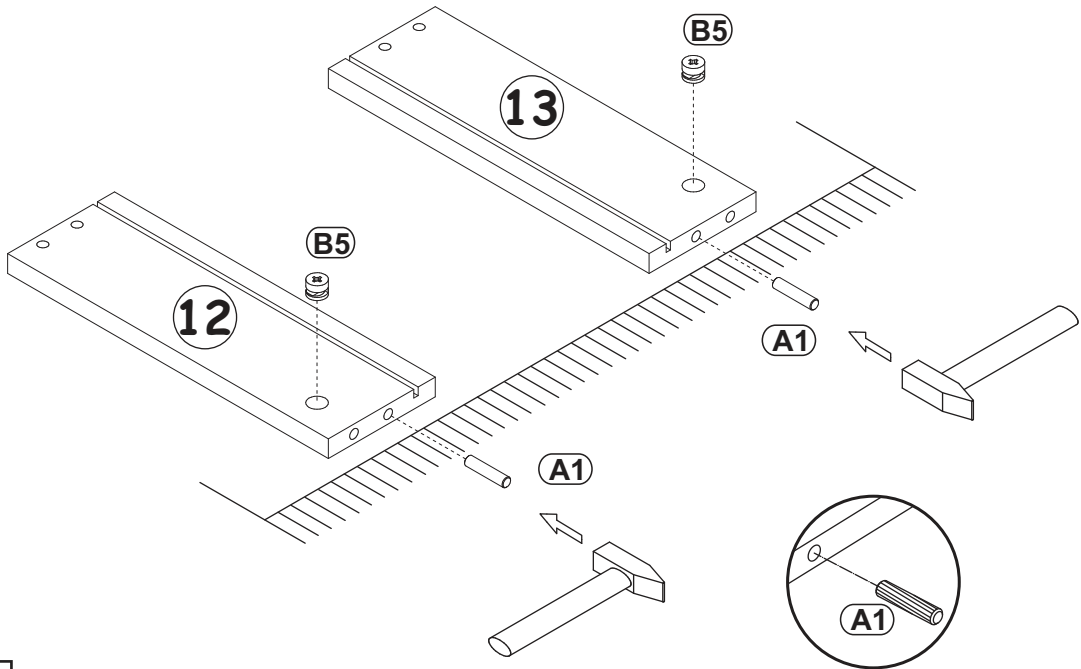
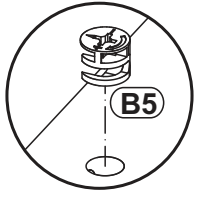


8

x2

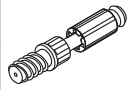
A1	Ø5/16"x1 27/64"
x4	 ø8x36

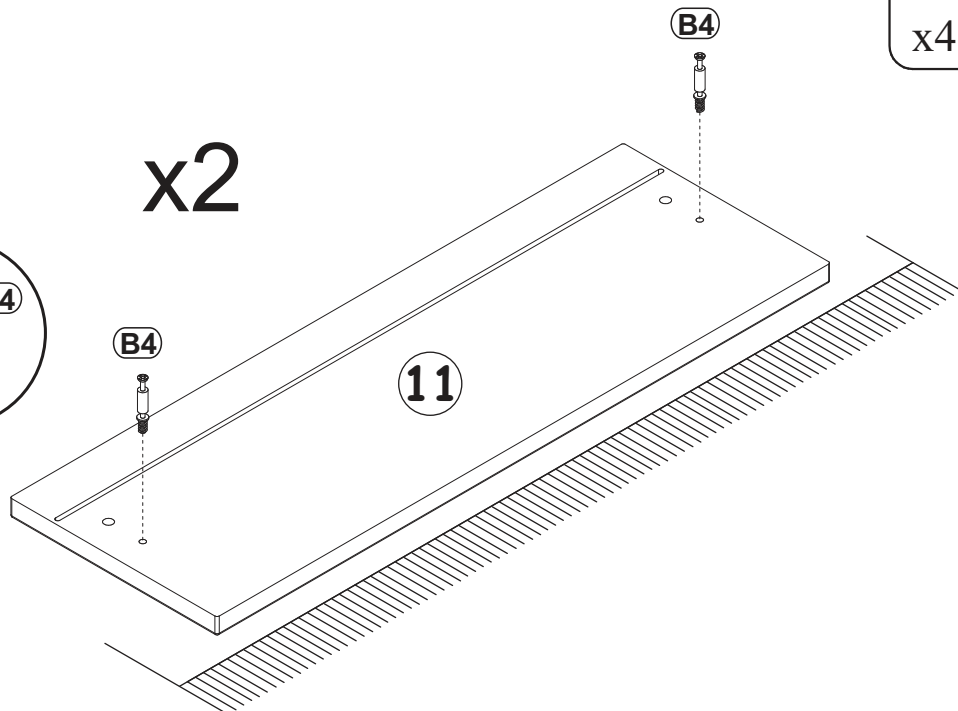
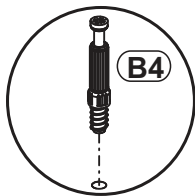
B5	Ø19/32"x15/32"
x4	 Ø15x12

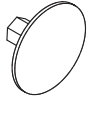


9

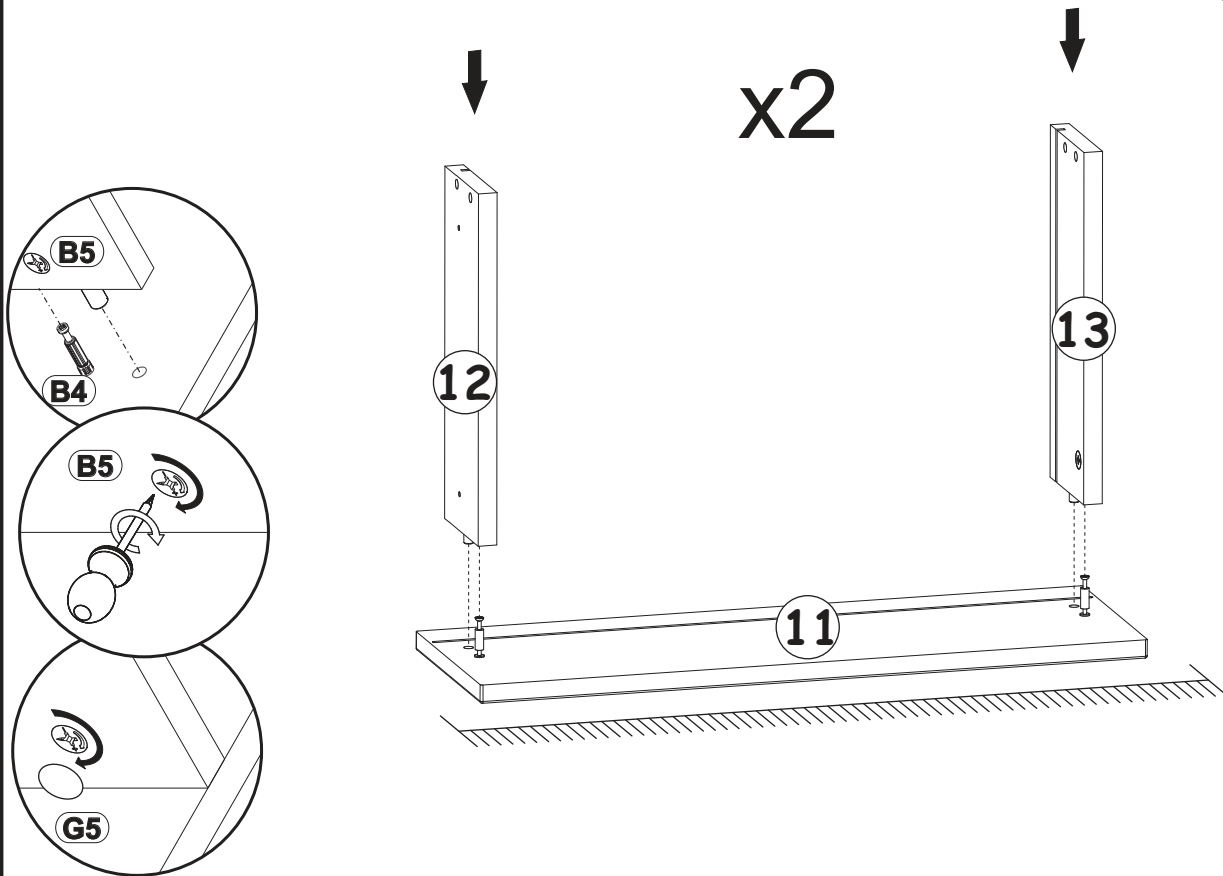
x2

B4	
x4	

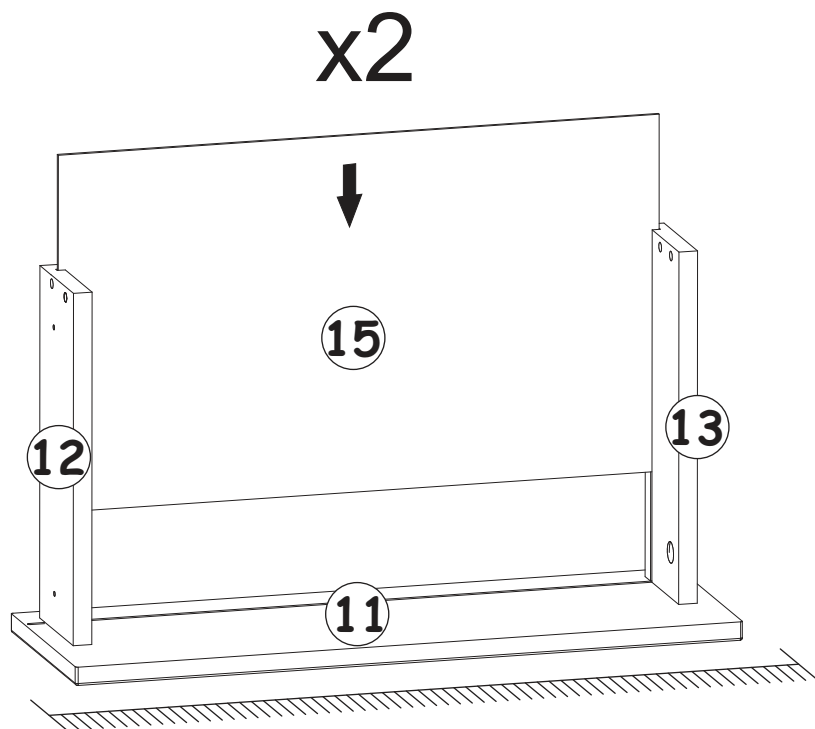


G5	
x4	

10



11

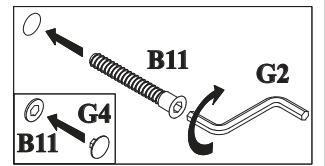
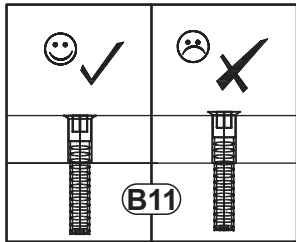
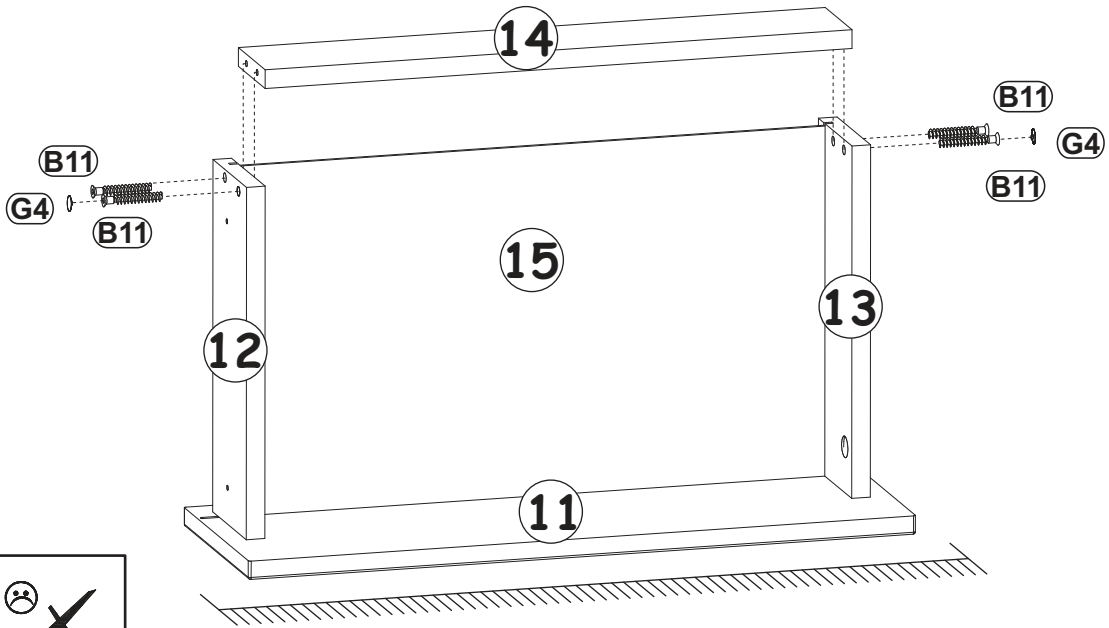


12

x2



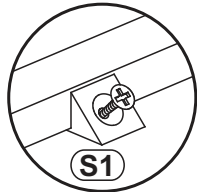
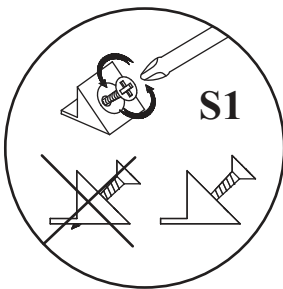
G4		B11	Ø9/32"x1 31/32"
x4	C	x8	Ø7x50



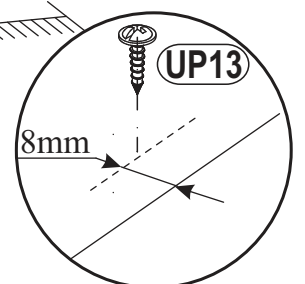
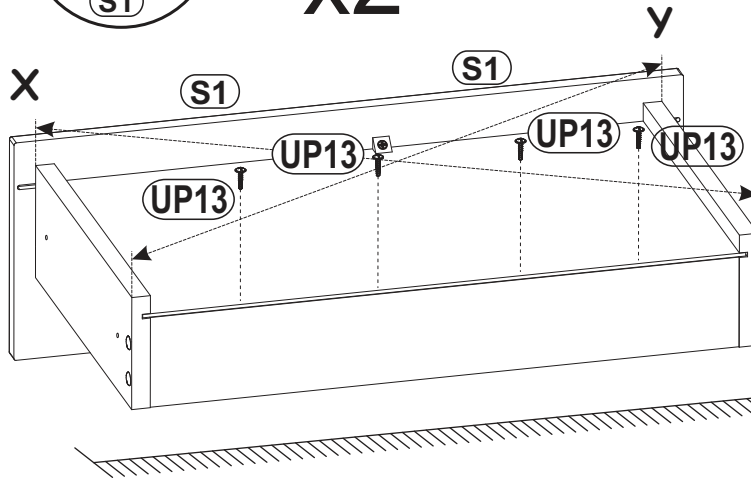
13



S1		UP13	USØ1/8"x5/8"
x2		x8	UPØ3x16



x2

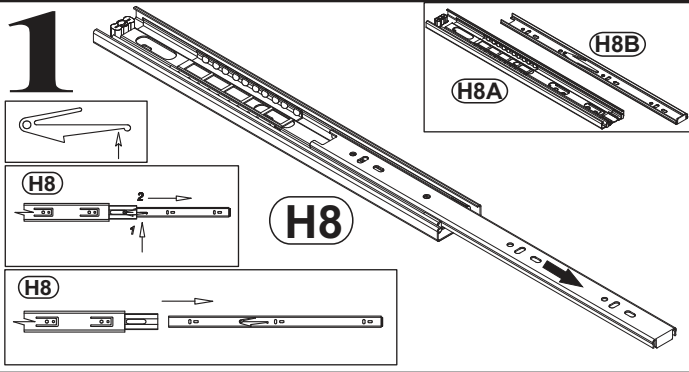
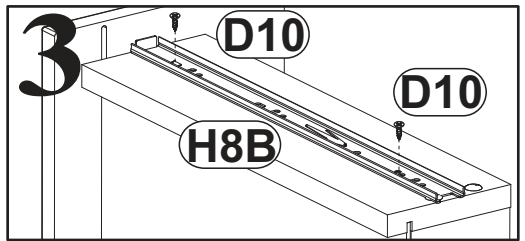
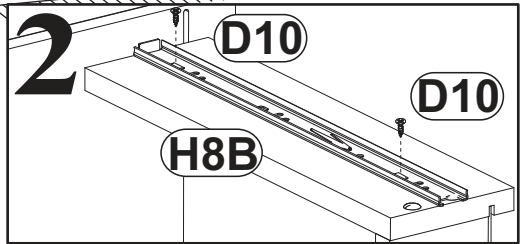
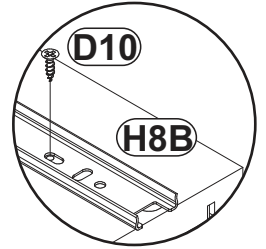
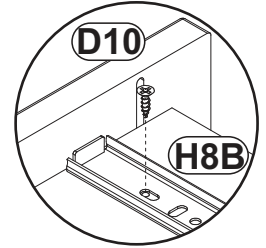
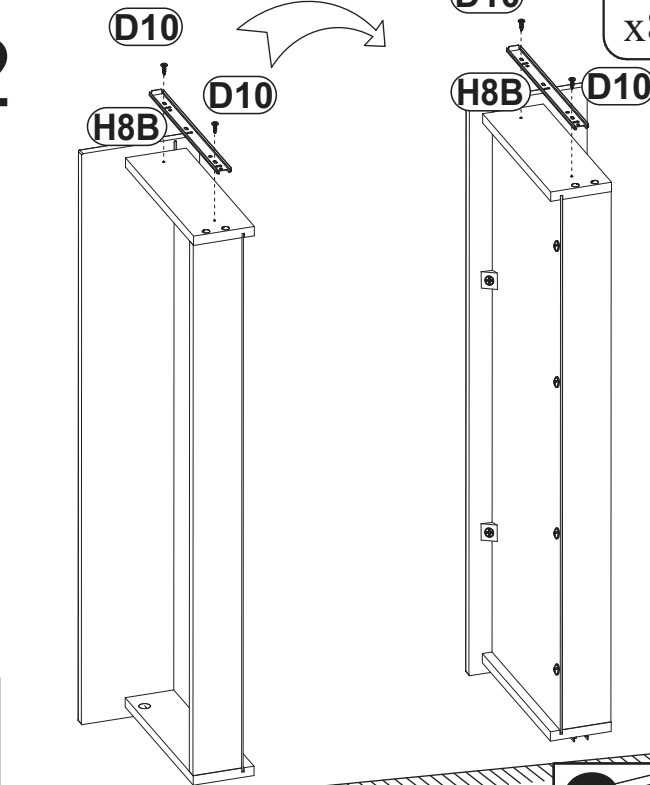
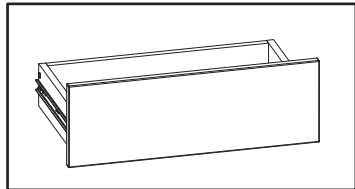


14

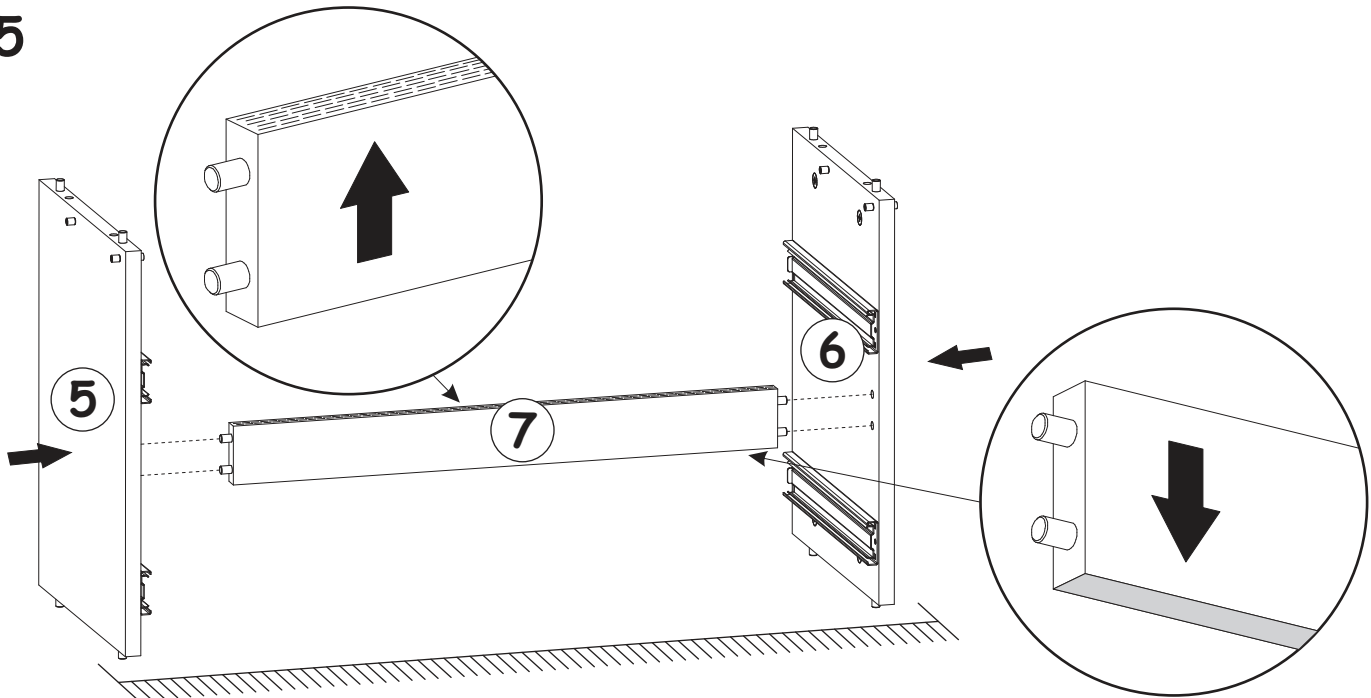
x2

180°


D10	USØ9/64"x33/64"	H8	L- 11 13/16"
x8	USØ3,5x13	x2	L-300mm

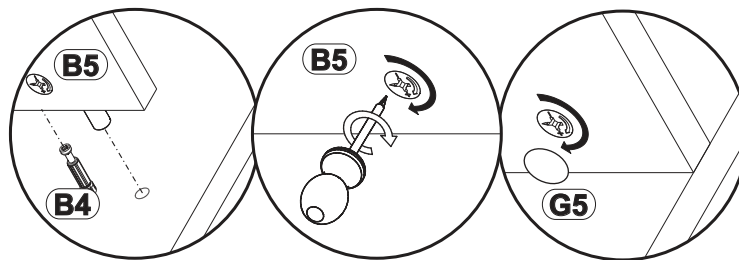
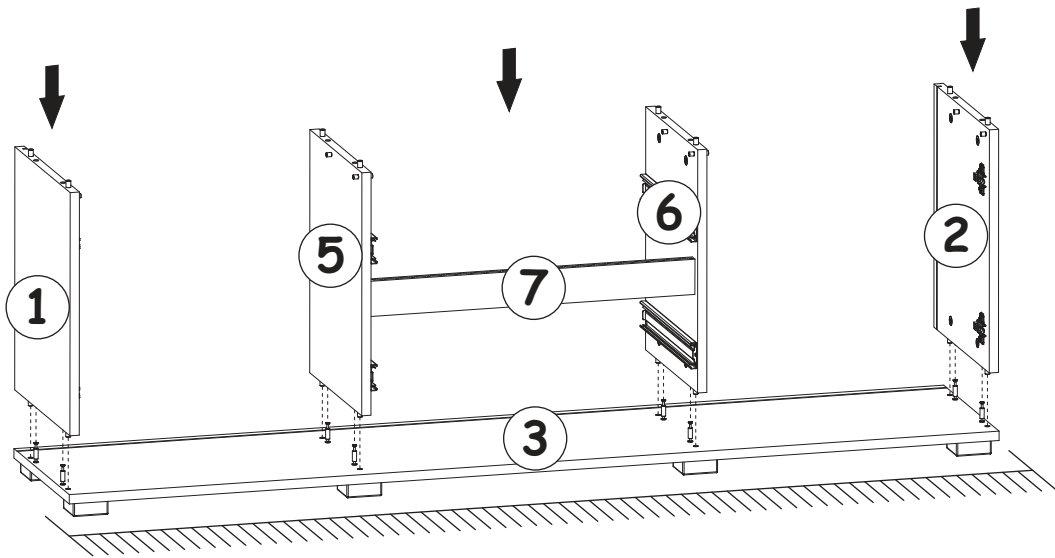


15

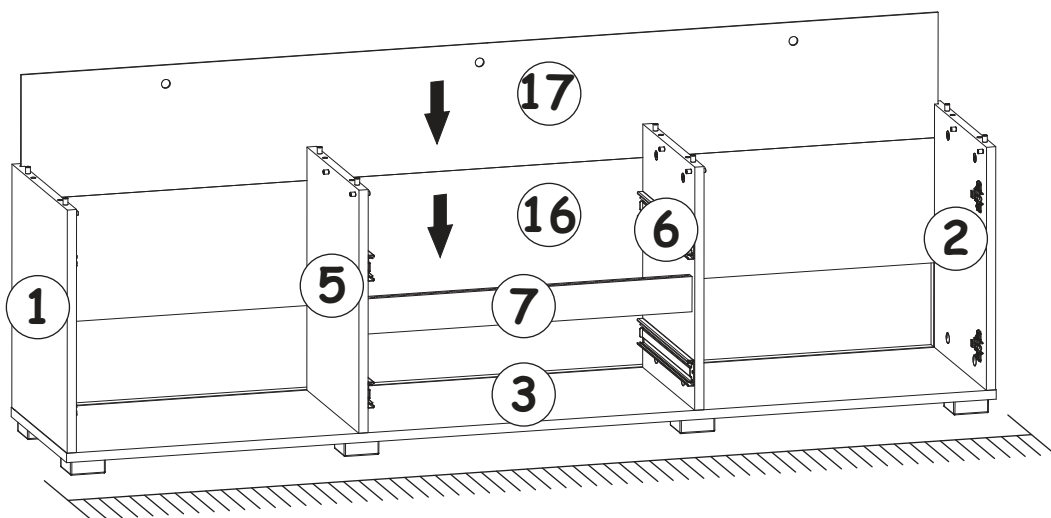


16


G5	
x8	

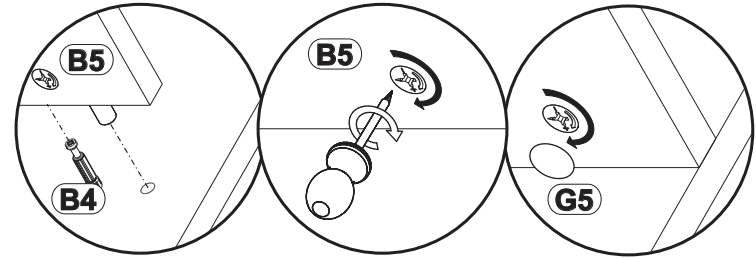
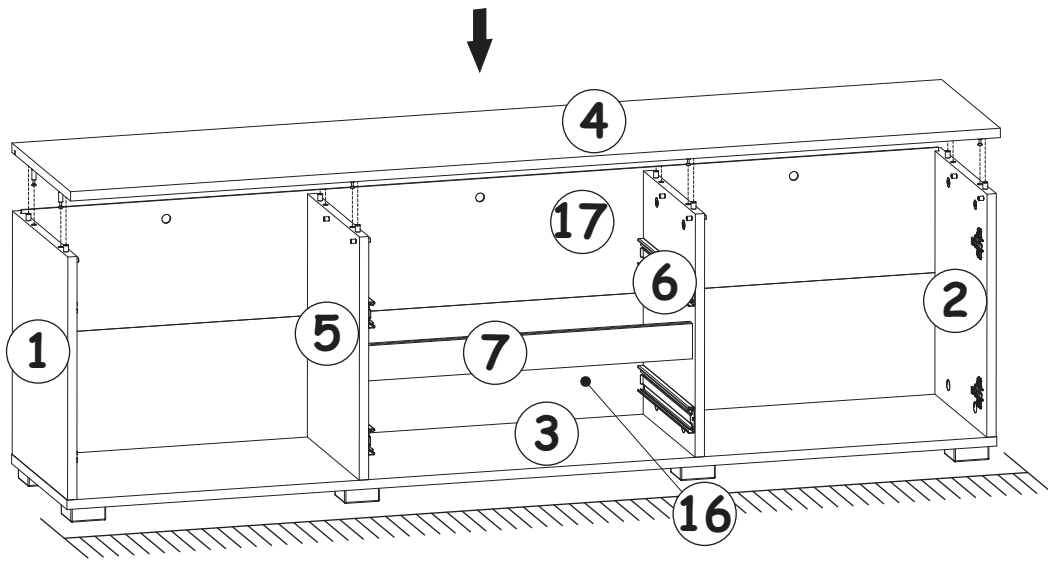


17

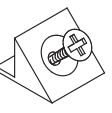


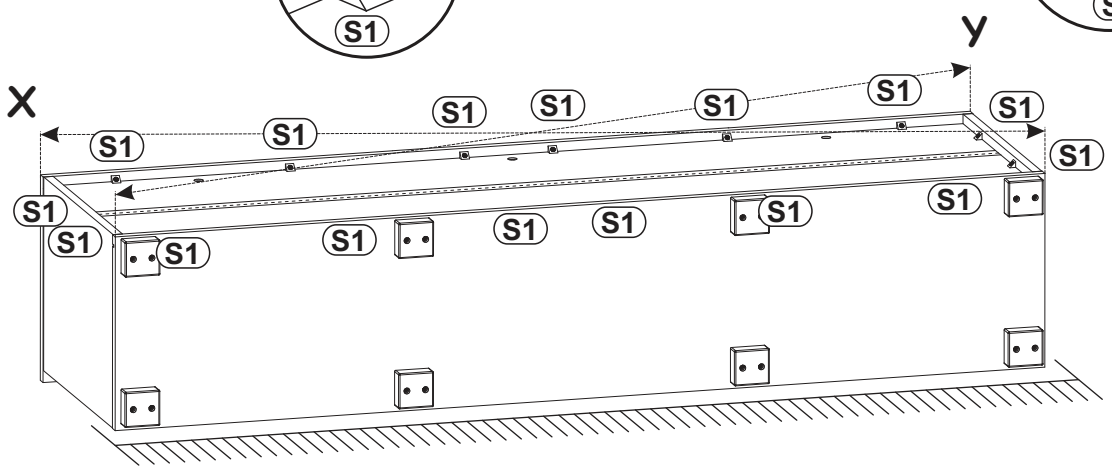
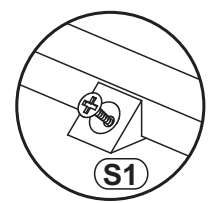
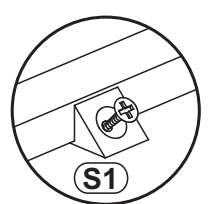
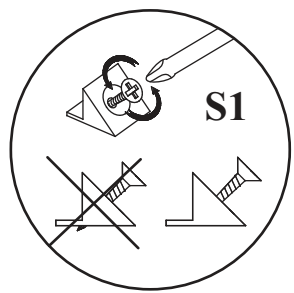
18

G5	
x8	

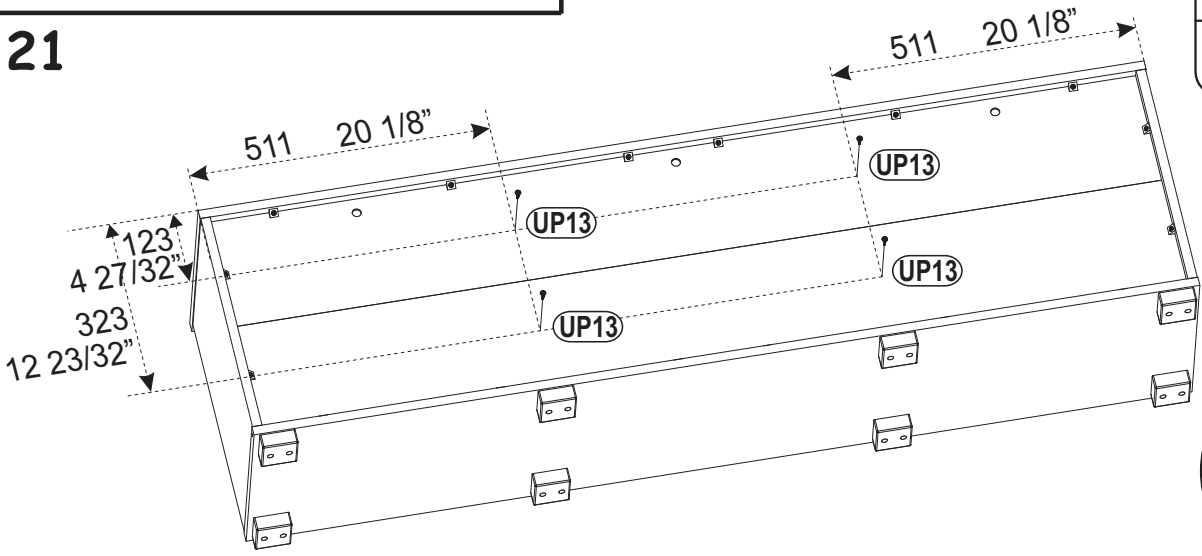


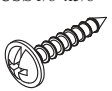
19

S1	
x16	

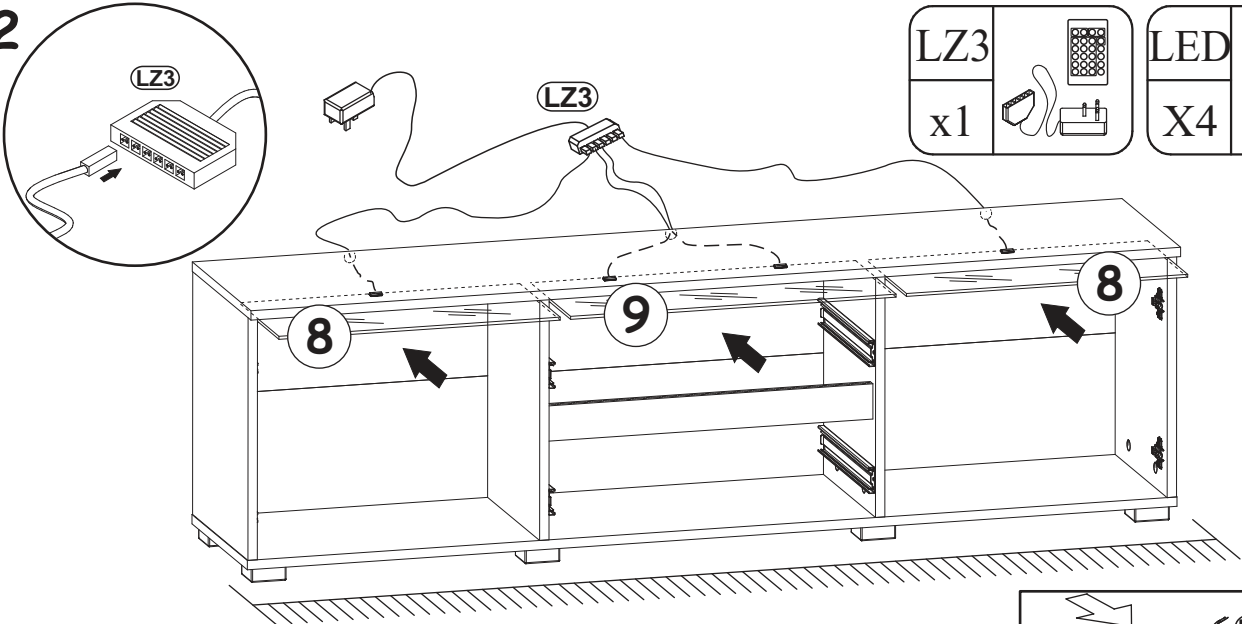



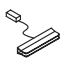
21



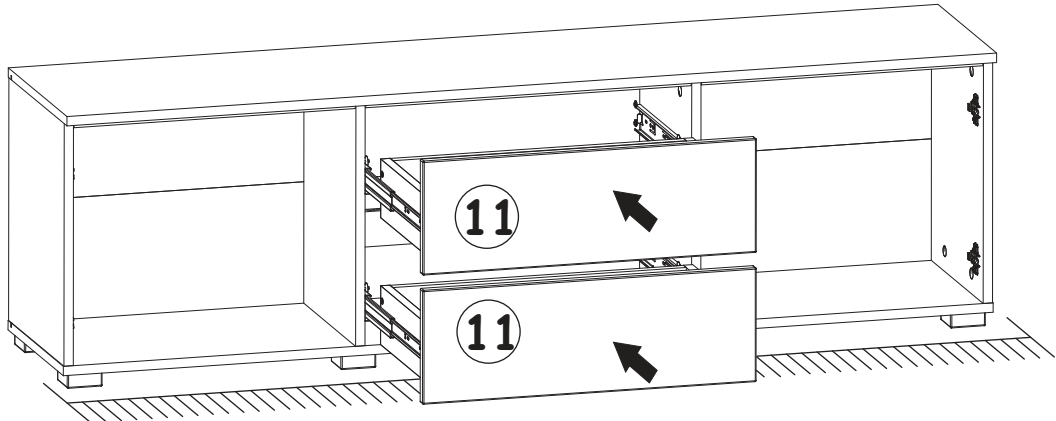
UP13	USØ1/8" x 5/8"
x4	
	UPØ3x16

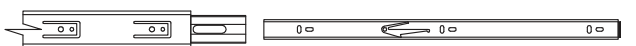
22



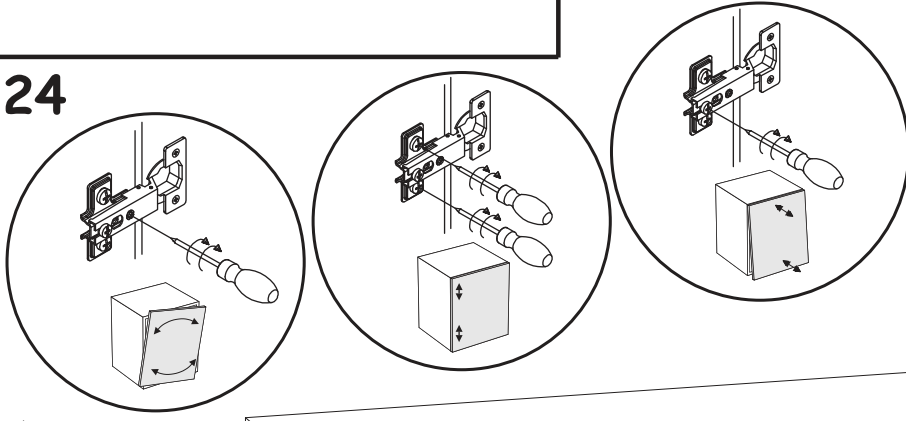
LZ3		LED	
x1		X4	

23

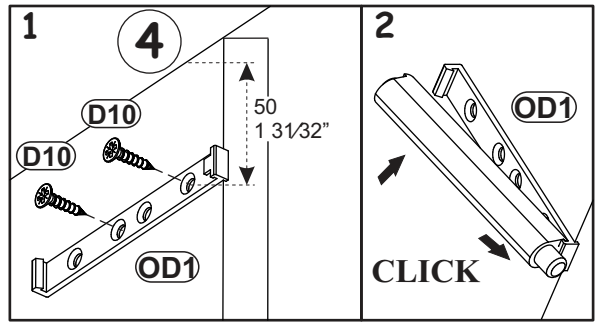
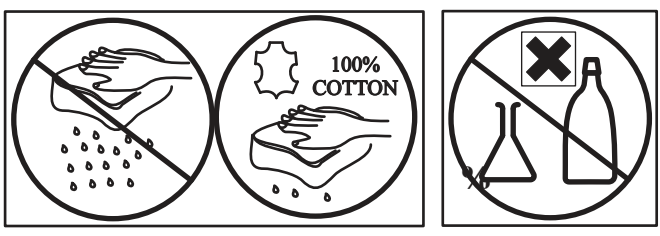
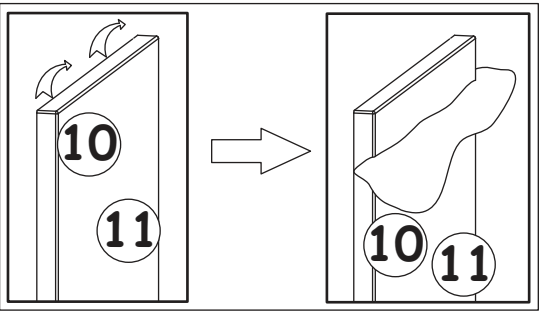
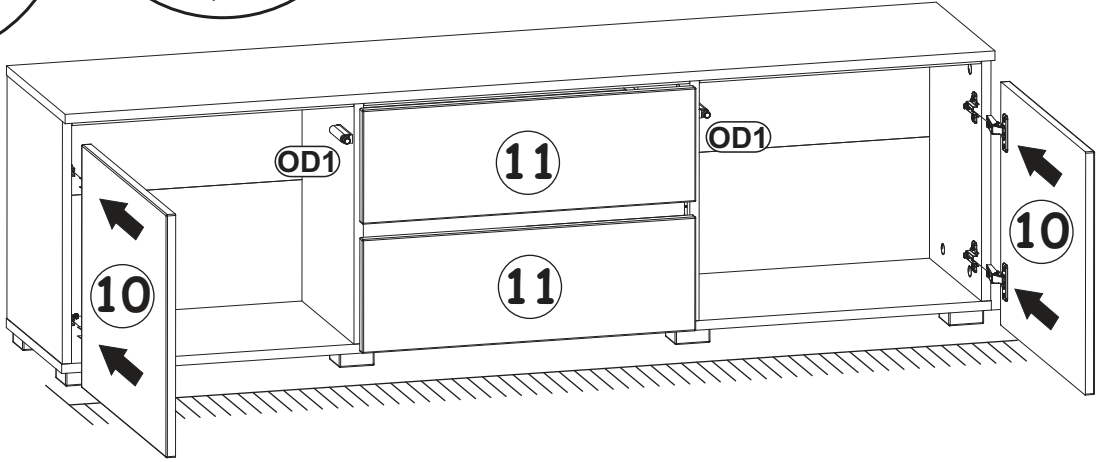


H8	
----	--

24



D10	USØ9/64"x33/64"	OD1	
x4	USØ3,5x13	x2	



25

