

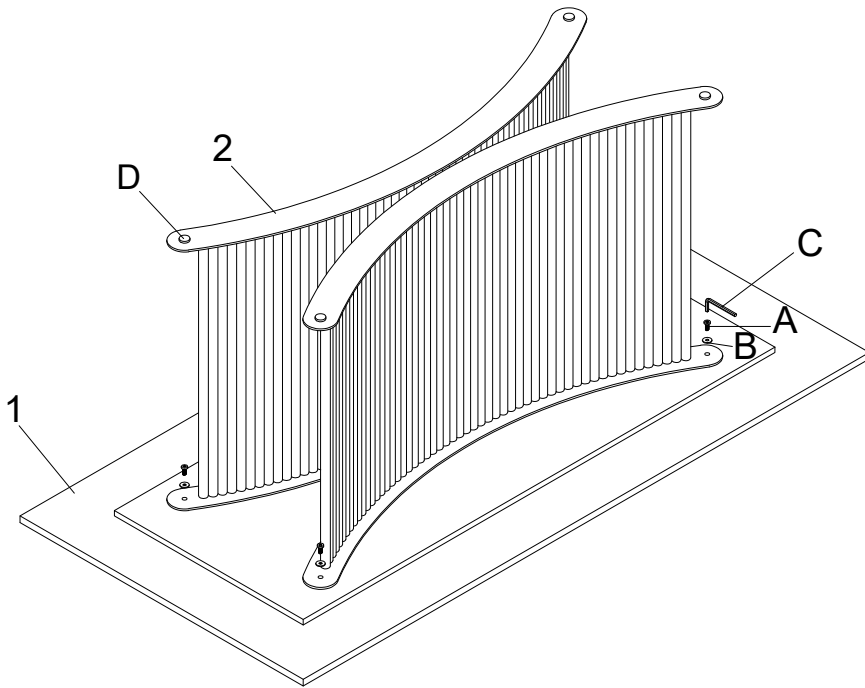
ASSEMBLY INSTRUCTION

Model: D7070DT

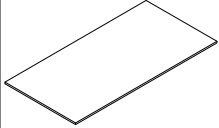
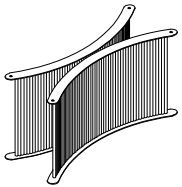
Description: DINING TABLE

Thank you for purchasing this quality product. Be sure to check all packing material carefully for small parts that may have come loose inside the carton during shipment

Step 1:






PART LIST:


No.	Description	Diagram	Quantity
1	CERAMIC TOP		1
2	STAINLESS STEEL LEG		1

HARDWARE LIST:

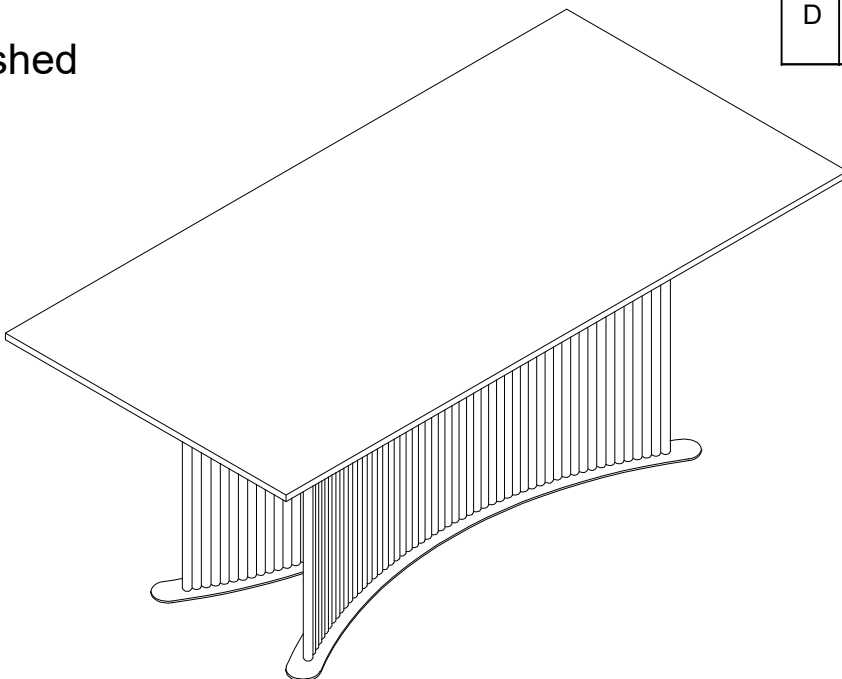
located in the carton 2 of 2(D7070DT-L)

No.	Description	Diagram	Size	Quantity
A	Bolt		M8×20mm	4
B	Flat washer		Ø18×8mm	4
C	Allen key		M5	1

PREFIX HARDWARE LIST

D	CAPS		ø40*8mm	4
---	------	---	---------	---

Finished



Made in China

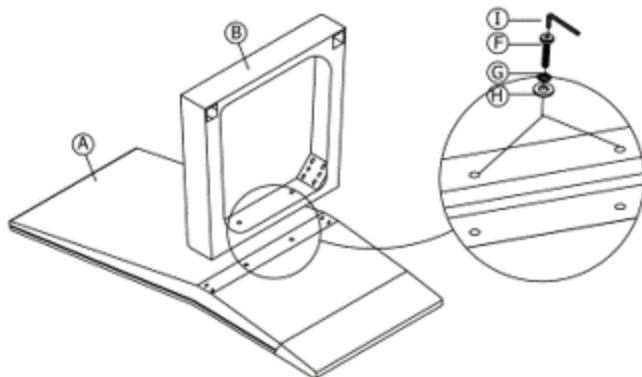
ASSEMBLY INSTRUCTION

Model : D12DC

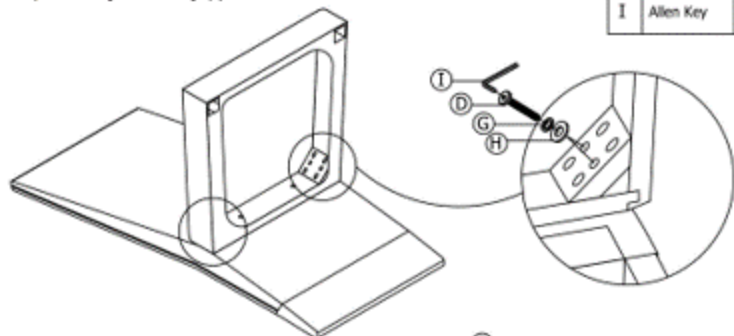
Description : Dining Chair

Thank you for purchasing this quality product. Be sure to check all packing material carefully for small parts that may have come loose inside the carton during shipment.

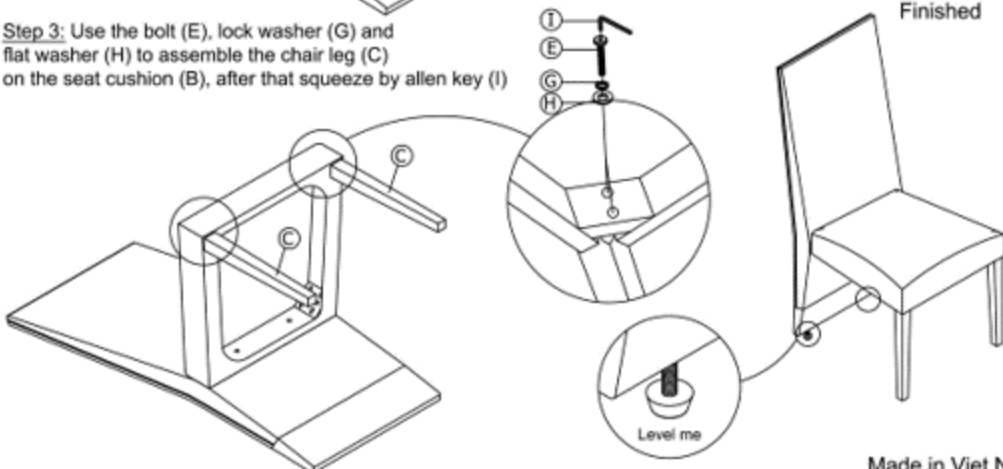
Step 1: Use the bolt (F), lock washer (G) and flat washer (H) to assemble the seat cushion (B) on the chair back (A), after that squeeze by allen key (I)



Step 2: Use the bolt (D), lock washer (G) and flat washer (H), after that squeeze by allen key (I)



Step 3: Use the bolt (E), lock washer (G) and flat washer (H) to assemble the chair leg (C) on the seat cushion (B), after that squeeze by allen key (I)



PART LIST:

No.	Description	Diagram	Quantity
A	Chair Back		1
B	Seat cushion		1
C	Chair Leg		2

HARDWARE LIST:

No.	Description	Diagram	size	Quantity
D	Bolt		Ø5/16" x 3-1/4"	4
E	Bolt		Ø5/16" x 2-1/4"	4
F	Bolt		Ø5/16" x 1-3/4"	2
G	Lock Washer		Ø5/16"	10
H	Flat Washer		Ø5/16"	10
I	Allen Key		M5	1

Finished

Made in Viet Nam