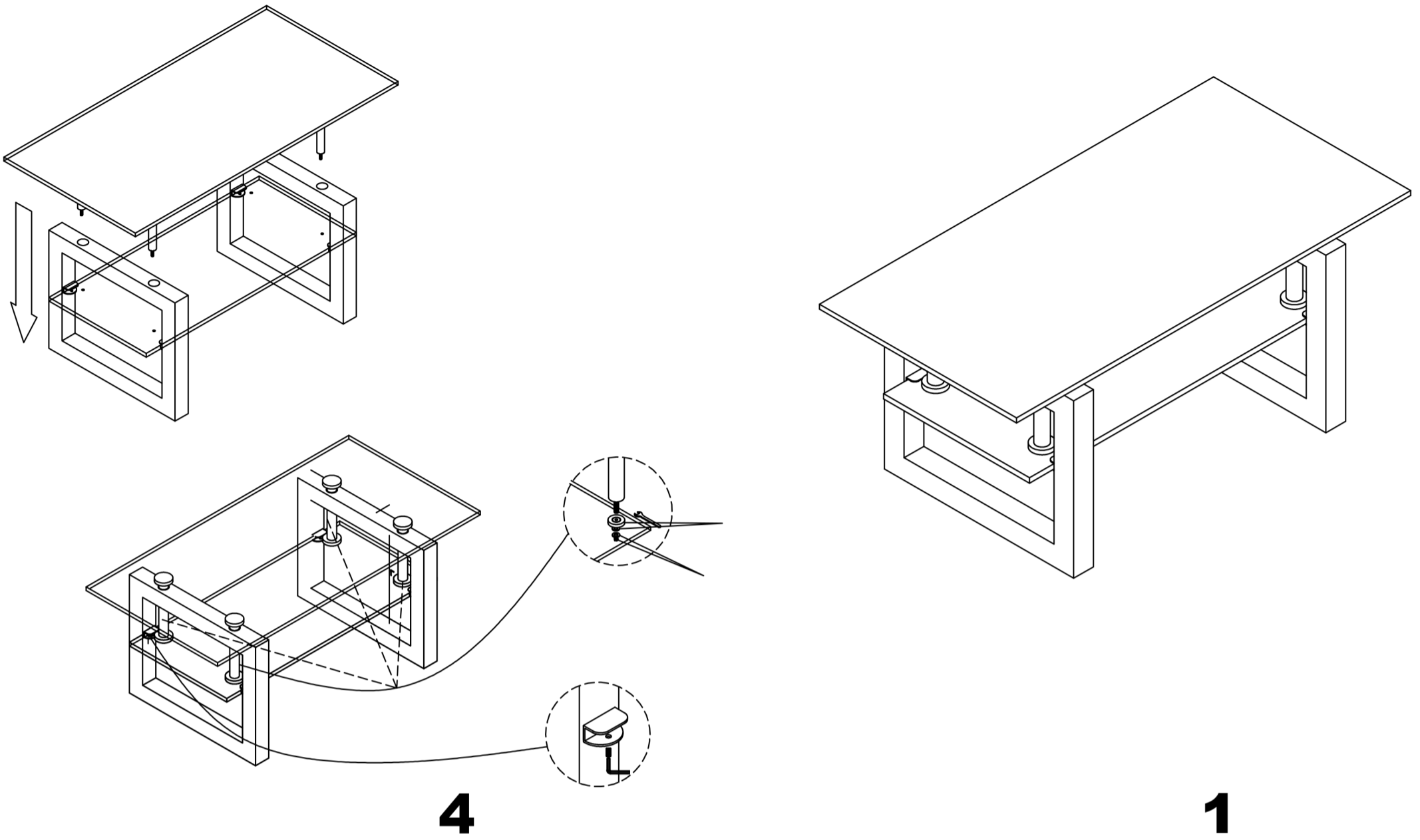
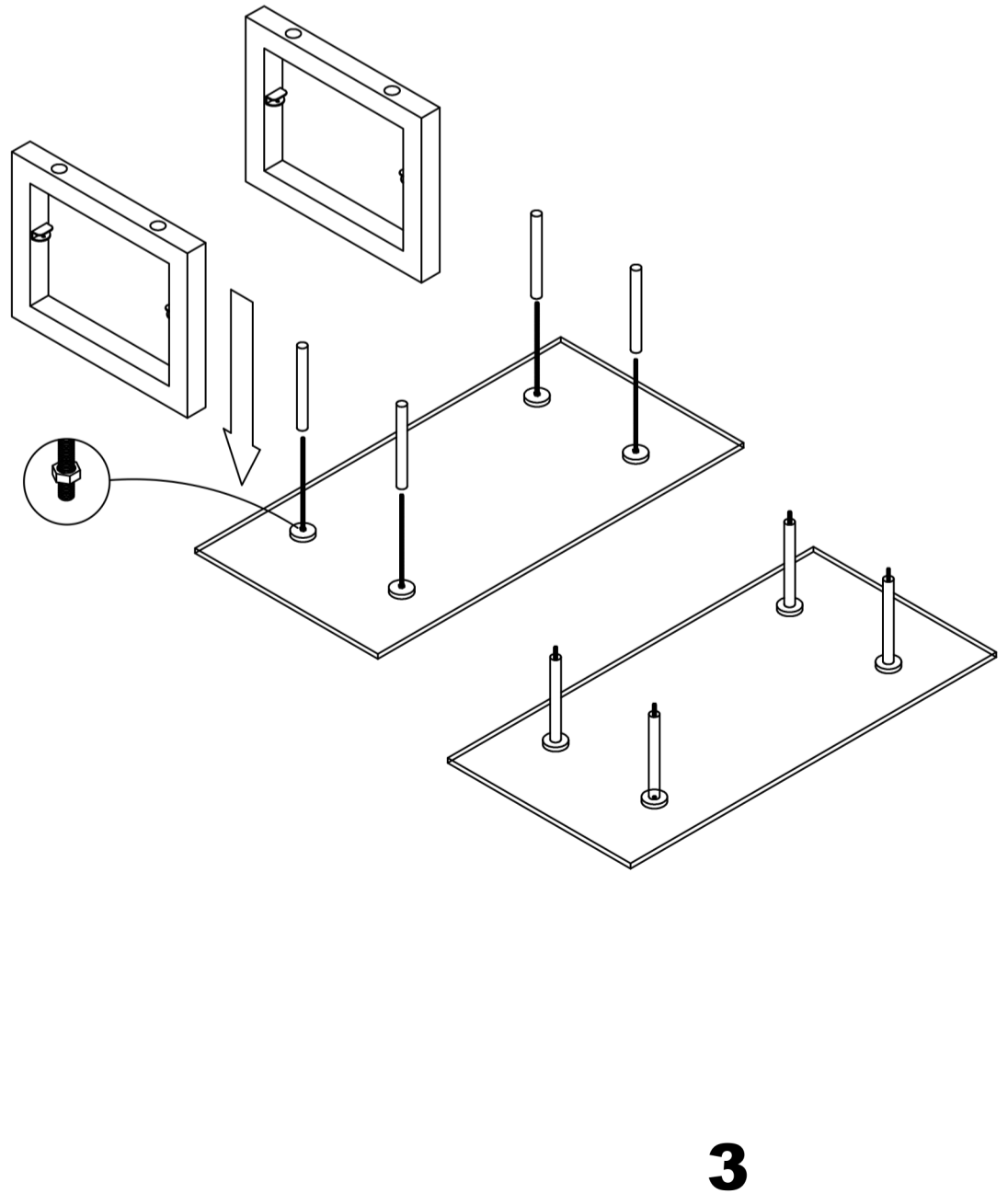


ASSEMBLY INSTRUCTION



ASSEMBLY INSTRUCTION

A	X1	B	X1
C	X2	①	X4
②	X4	③	X4
④	X4	⑤	X4
⑥	X8	⑦	X1
⑧	X1		



2