











Assembly Instructions

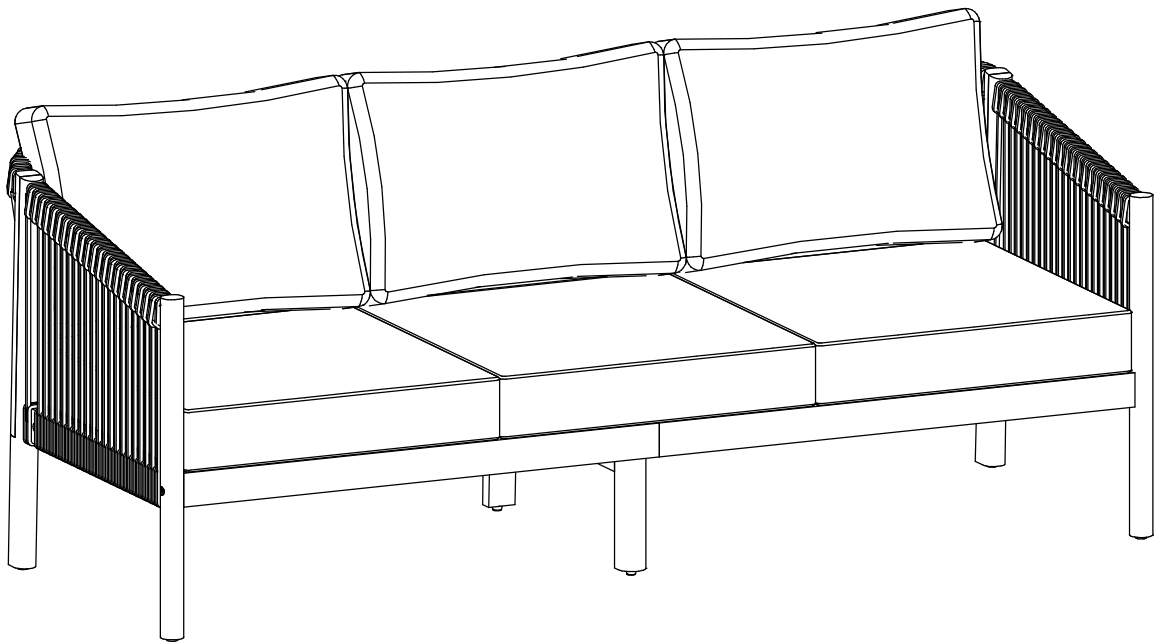
CAUTION: You must read this before you proceed.

Care & Maintenance

- ⊘  • Not for commercial use. For residential use only.
- ⊘  • Do not put hot items directly on furniture surface.
- ⊘  • Do not clean furniture with harsh cleansers or polish.
- ✓  • To obtain the longest lifespan of your outdoor products, minimizing exposure to direct sunlight is recommended.
- ⊘  • Children should not climb or jump on the furniture.
- ⊘  • Do not write on furniture without a padded barrier to protect the surface.
- ✓  • To obtain the longest lifespan of your outdoor products, avoid extended and lengthy exposure to rain, snow, and direct sunshine. Whenever possible cover the product and /or place under patio or awnings.
- ⊘  • Stains may be removed with mild soap solution and damp cloth.
- ✓  • Keep away from sources of ignition.
- ✓  • Dust and pick-up spills using a clean, non-colored, lint- free cloth.

Please look in the Seat Panel for hardware packs

3 SEATER

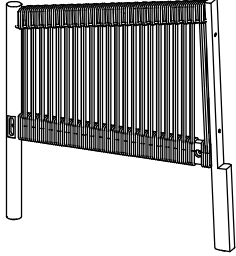
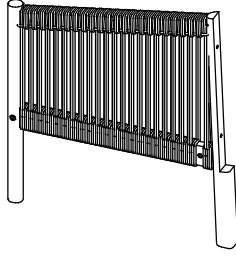
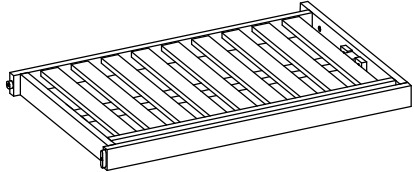
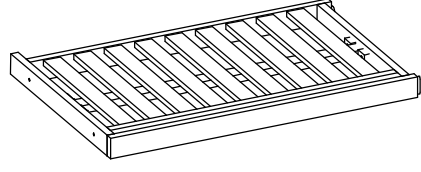
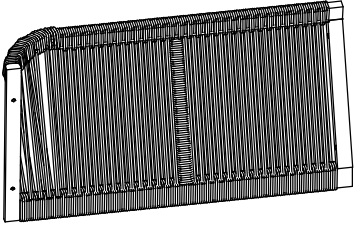
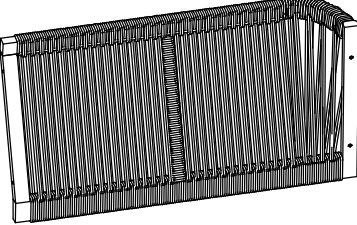


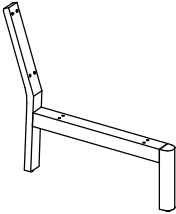
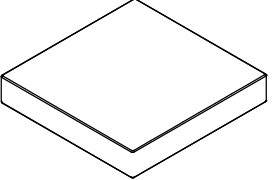
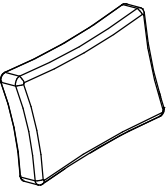
CAUTION: This Loveseat is NOT a TOY.

Keep your child / children at bay in the process of assembly.


For turning the 3 Seater and to prevent damage to the 3 Seater, 2 persons may be needed to execute this action.

Part list

Label	Picture	Description	Qty
A		Left Leg Panel	1
B		Right Leg Panel	1
C		Left Seat Panel	1
D		Right Seat Panel	1
E		Left Backrest Panel	1
F		Right Backrest Panel	1

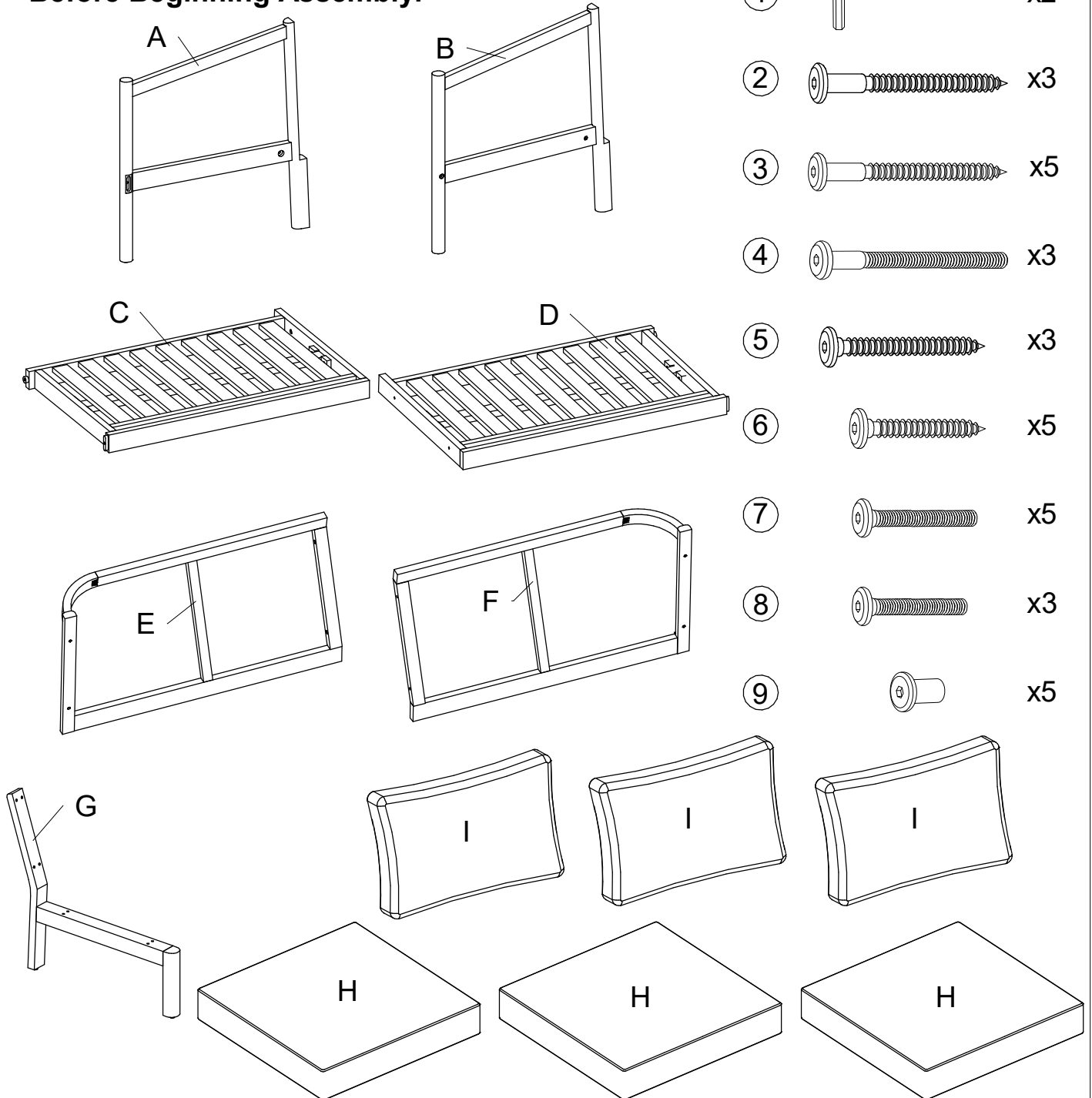
G		Support Leg Panel	1
H		Seat Cushion	3
I		Back Pillow	3

Hardware

Label	Picture	Description	Qty
①		Allen Wrench	2
②		Screw (M7x70)	3
③		Screw (M6x70)	5
④		Bolt (M6x70)	3
⑤		Screw (M6x60)	3
⑥		Screw (M6x40)	5
⑦		Bolt (M6x40)	5
⑧		Bolt (M6x35)	3
⑨		Sleeve Nut (M6x18)	5

Assembly Preparation

Before Beginning Assembly:



• Read instruction, cover to cover-



• Have 2 adults on hand for assembly-



• Do not assembly on flooring or carpet-



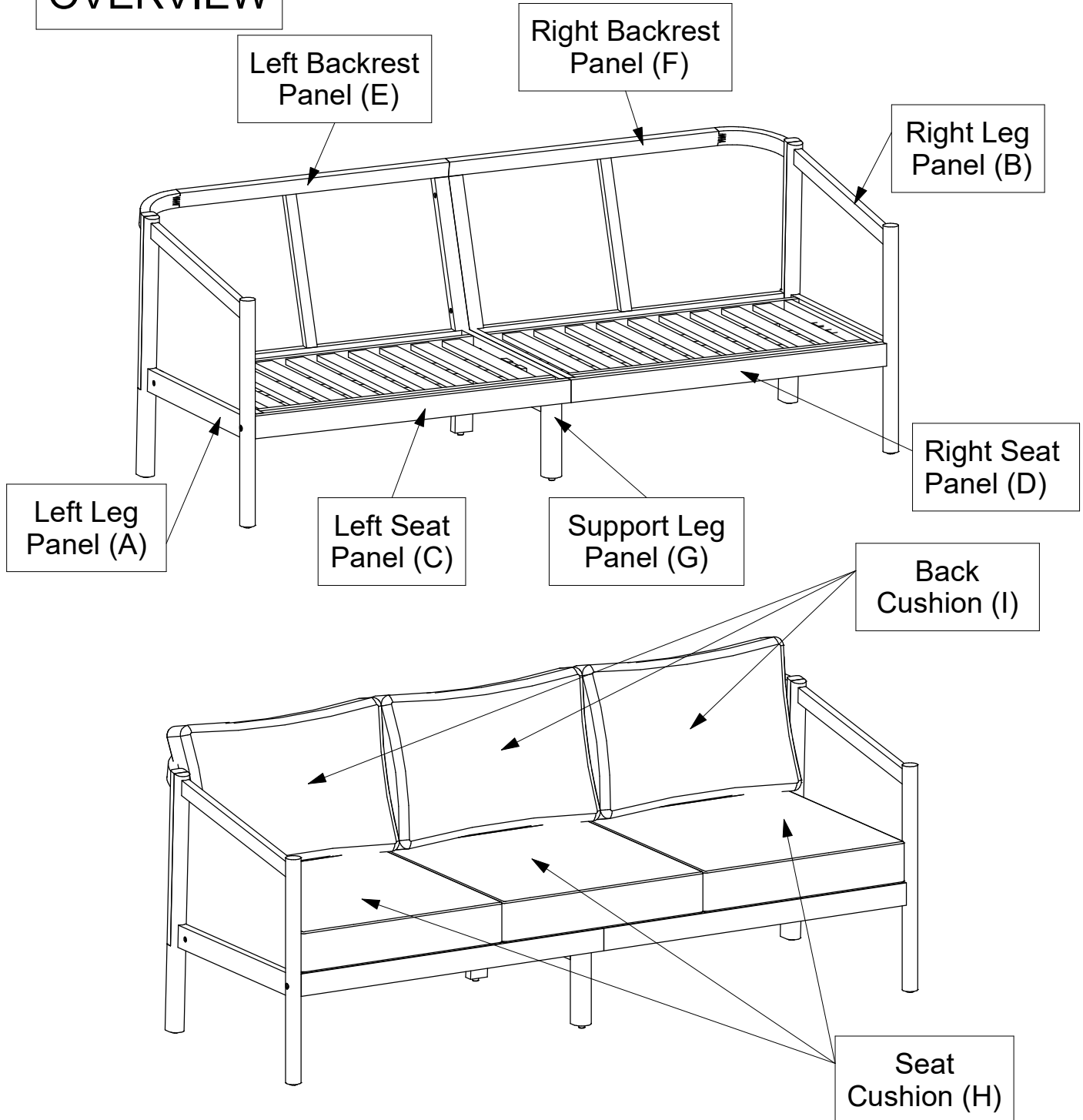
• Assemble on a clean non- marring surface (packing foam)-



• Save all packaging until finished-

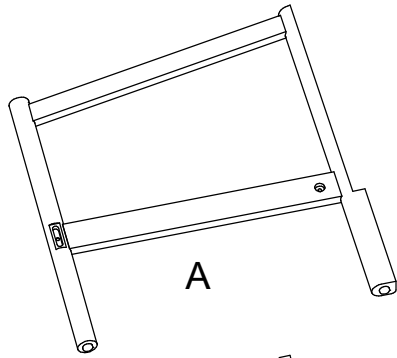
Assembly Steps

OVERVIEW

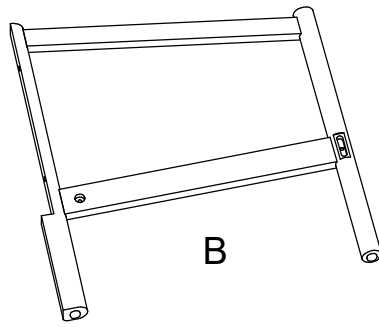


This 3 Seater has multiple parts and may require up to some 45 minutes to assemble. To give you an overview of the 3 Seater, the above picture is to help you put the various parts into perspective. Please read through the instructions here below to familiarise the parts and steps before assembly.

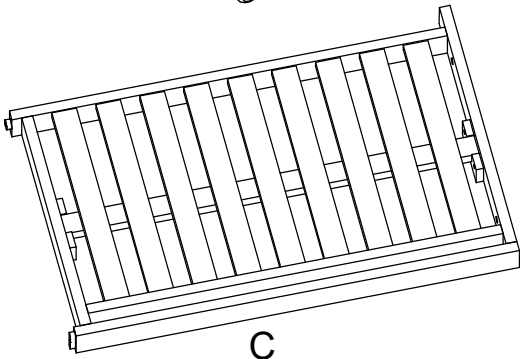
Step 1



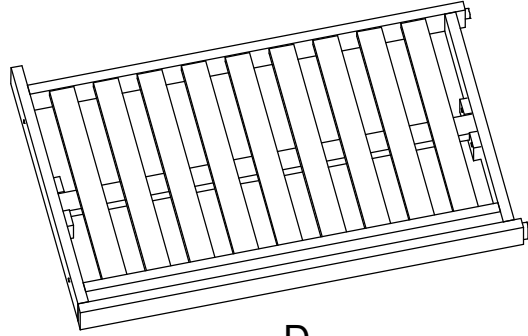
A



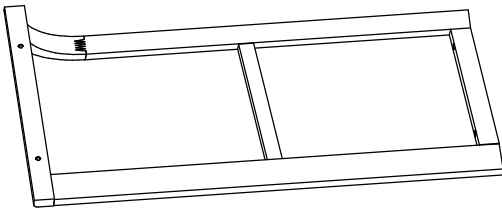
B



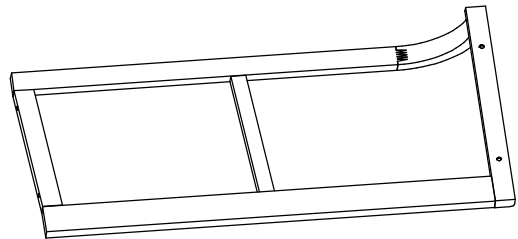
C



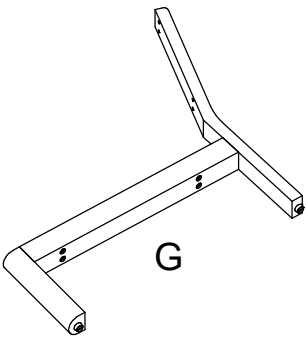
D



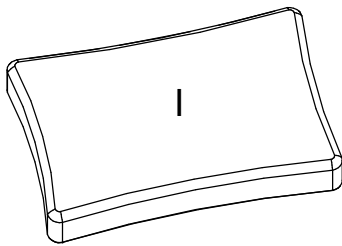
E



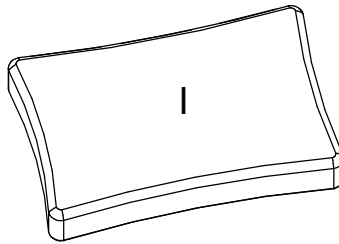
F



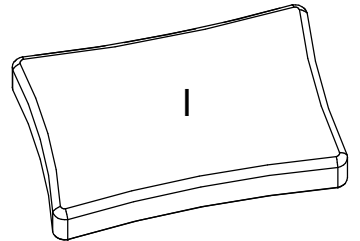
G



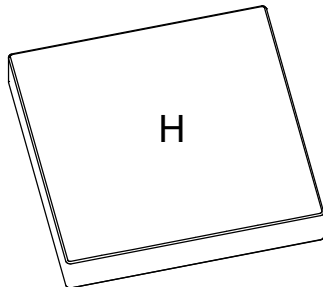
I



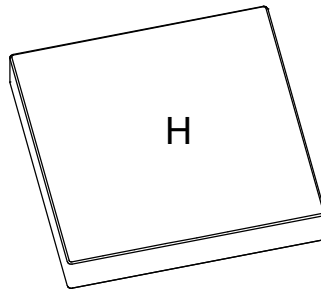
I



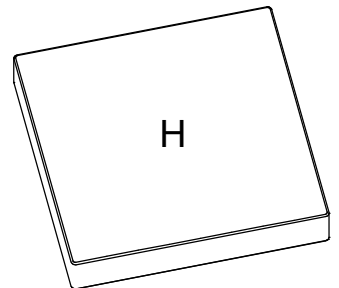
I



H



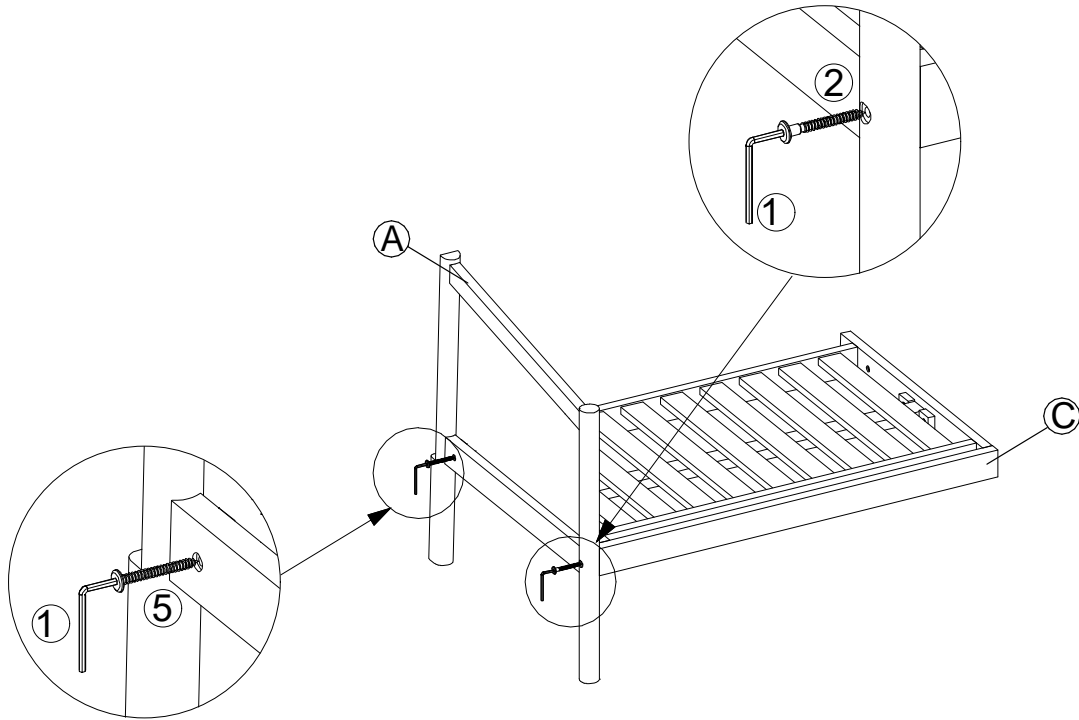
H



H

Unpack and place all parts on a clean, non-marring surface.

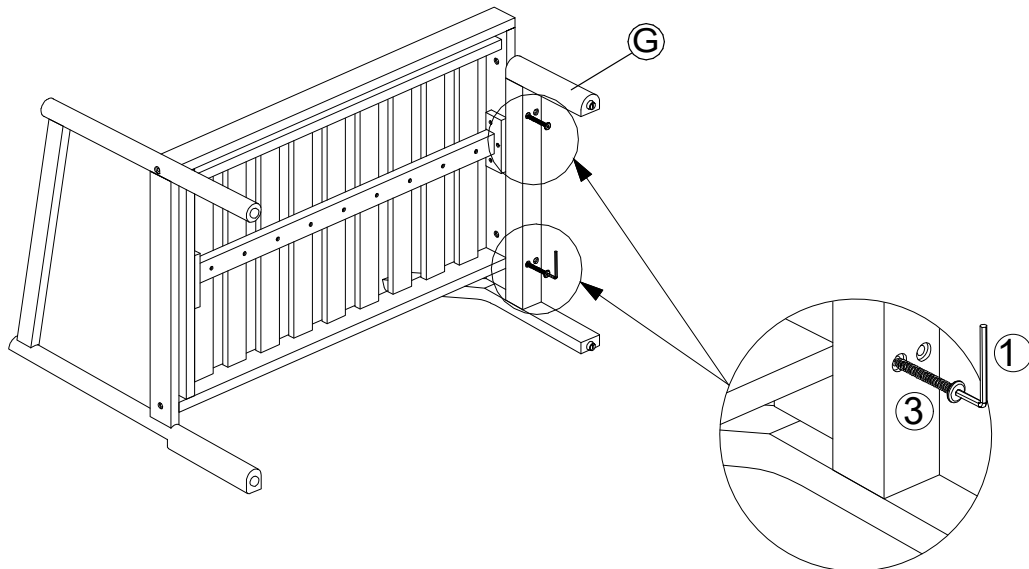
Step 2



With assistance from your adult partners, attach Left Leg Panel (A) to Left Seat Panel (C) by using 1 Screw () + 1 Screw () with Allen Wrench () to secure as shown above.

DO NOT fully tighten the Screws.

Step 3

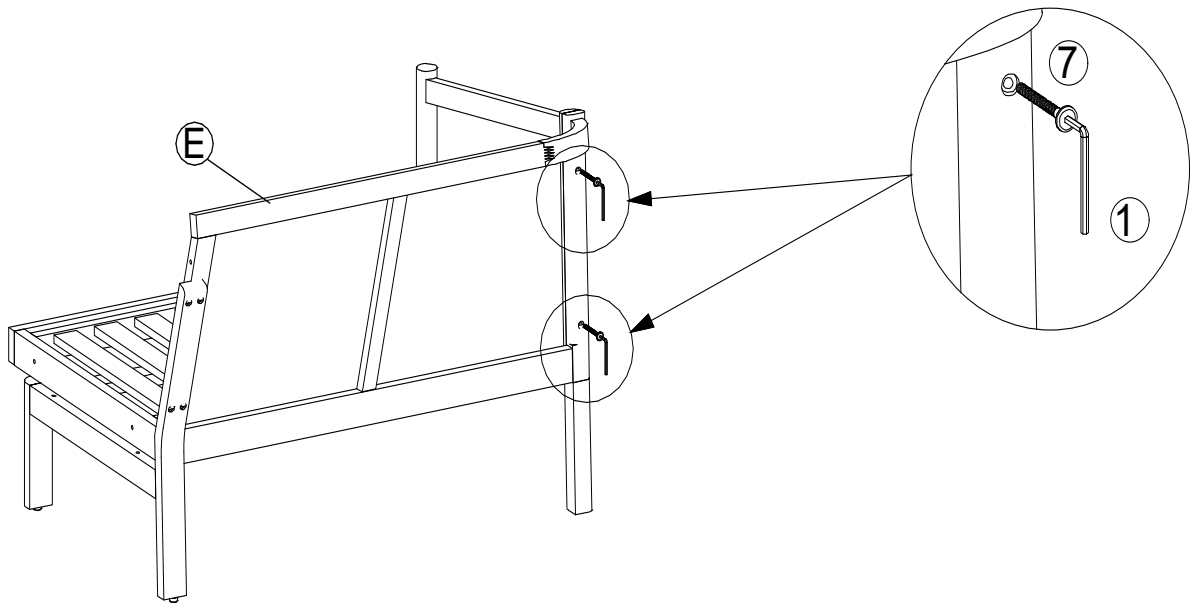


With assistance from your adult partners, attach Support Leg Panel (G) to Left Seat Panel (C) by using 2 Screws () with Allen Wrench () to secure.

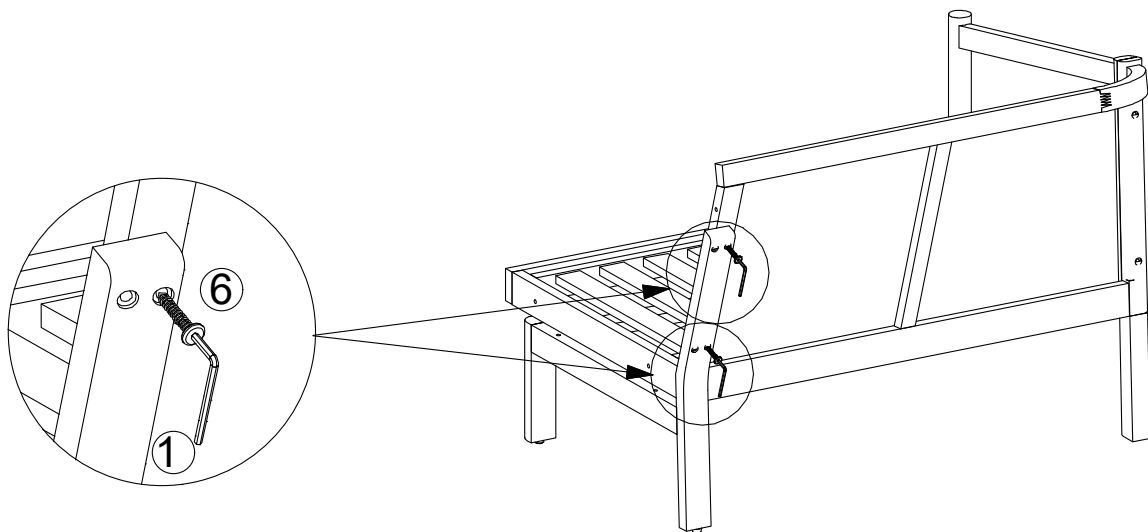
DO NOT fully tighten the Screws.

Step 4

4.1



4.2

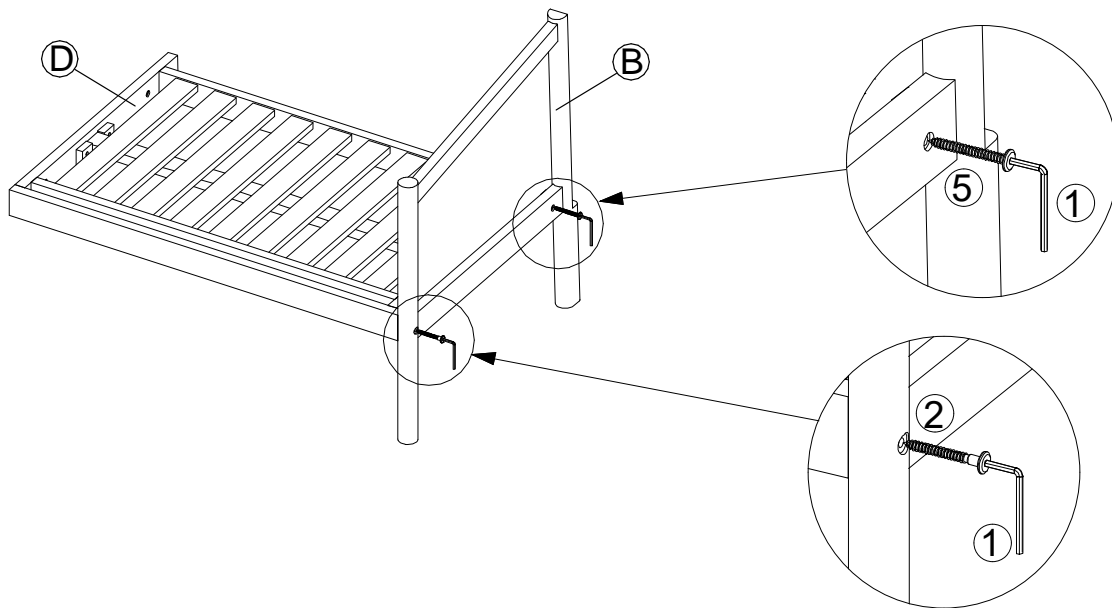


4.1. With assistance from your adult partners, attach Left backrest Panel (E) to Left Leg Panel (A) by using 2 Bolts () with Allen Wrench () to secure as shown above.

4.2. With assistance from your adult partners, securing Support Leg Panel (G) to Left Backrest Panel (E) by using 2 Screws () with Allen Wrench () as shown picture.

DO NOT fully tighten the Bolts and the Screws.

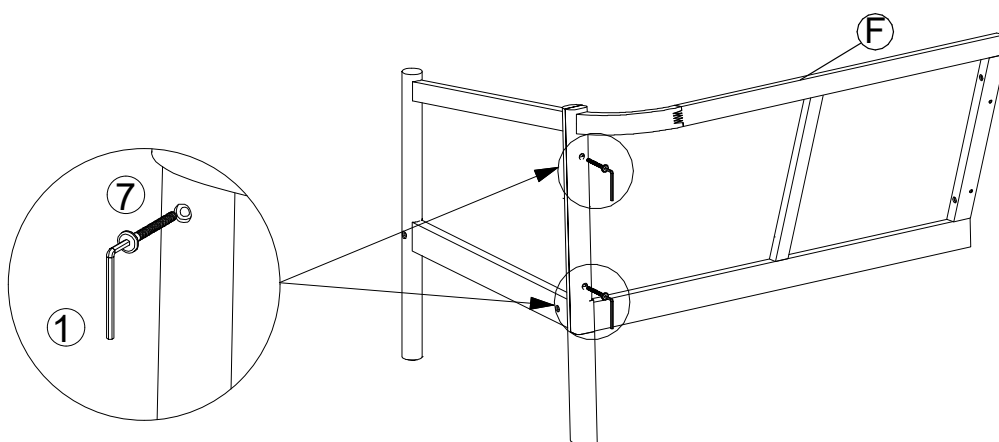
Step 5



With assistance from your adult partners, attach Right Leg Panel (B) to Right Seat Panel (D) by using 1 Screw () + 1 Screw () with Allen Wrench () to secure.

DO NOT fully tighten the Screws.

Step 6

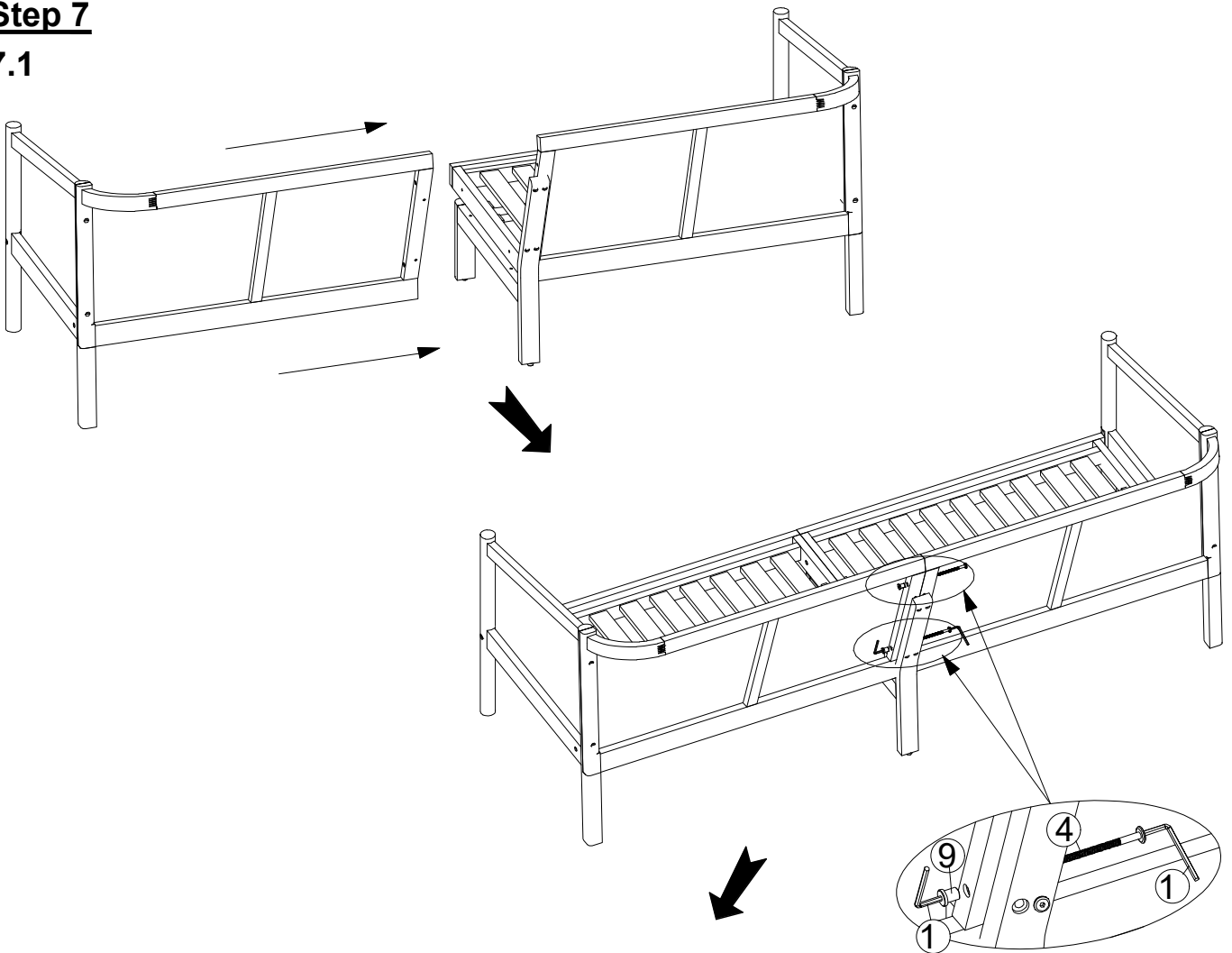


With assistance from your adult partners, using 2 Bolts () with Allen Wrench () to secure Right Backrest Panel (F) to Right Leg Panel (B) as shown above.

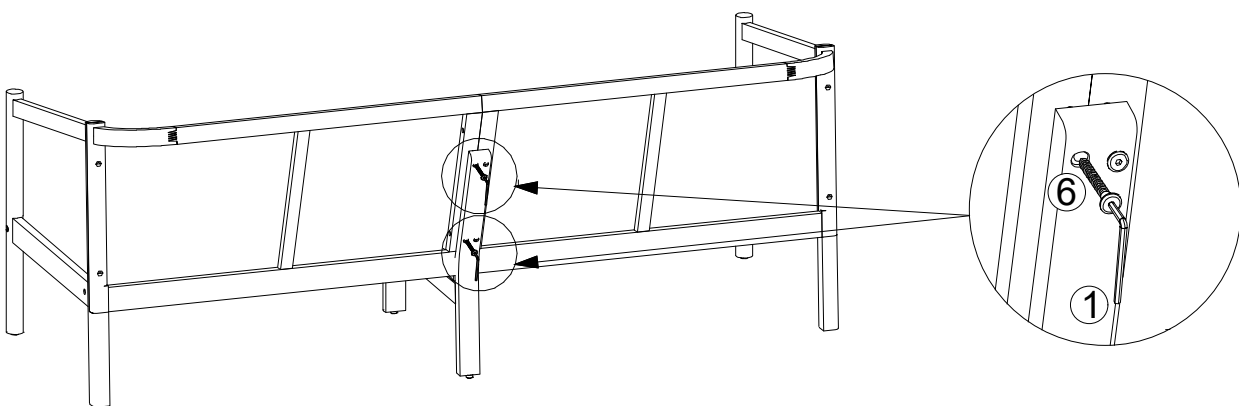
DO NOT fully tighten the Screws.

Step 7

7.1



7.2



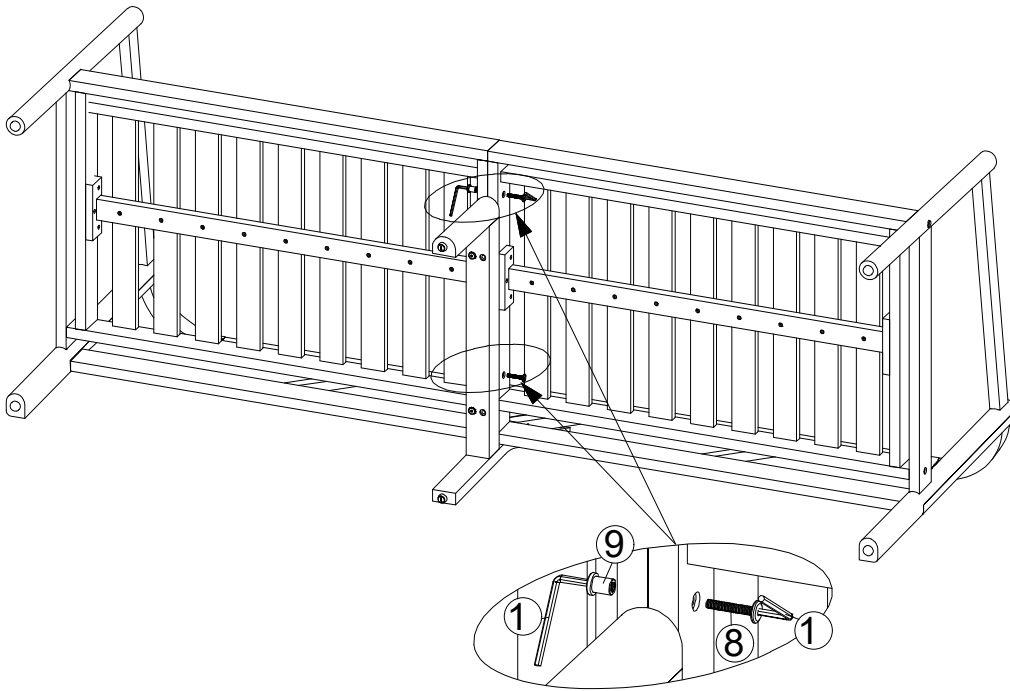
7.1. With assistance from your adult partners, stand the assembled frame in step 4 & 6 up, using 2 Bolts () + 2 Sleeve Nuts () with Allen Wrench () as shown above.

7.2. With assistance from your adult partners, securing Support Leg Panel (G) to assemble in step 6 by using 2 Screws () with Allen Wrench () as shown above.

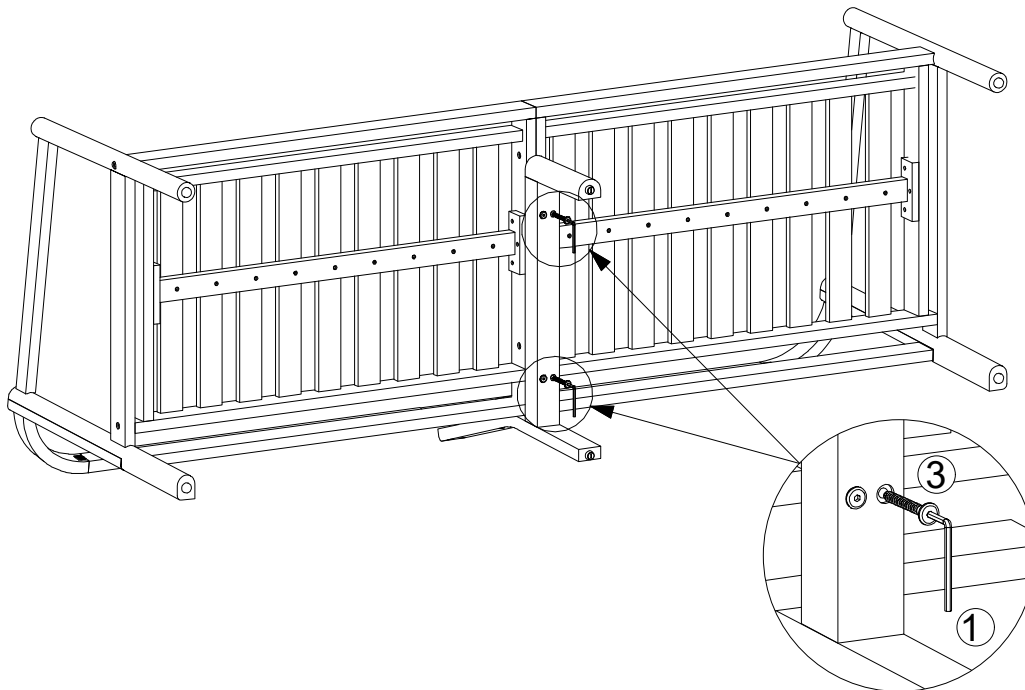
DO NOT fully tighten the Bolts and the Screws.

Step 8

8.1



8.2

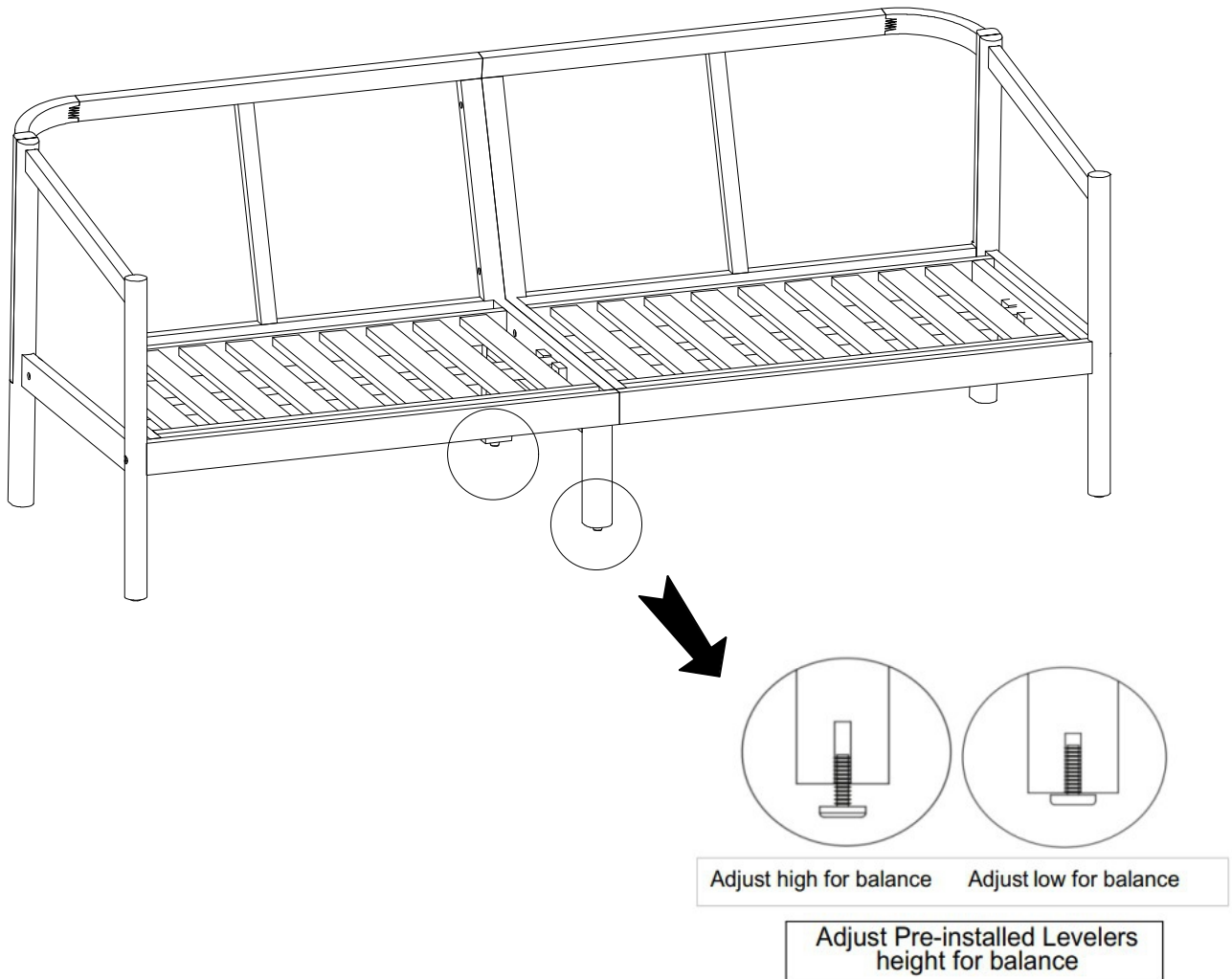


8.1. With assistance from your adult partners, to affix two Seats of the 3 Seater together using 2 Bolts () + 2 Sleeve Nuts () with Allen Wrench () to secure.

8.2. With assistance from your adult partners, attach Support Leg Panel (G) to assemble part in step 6 by using 2 Screws () with Allen Wrench () to secure as shown above picture.

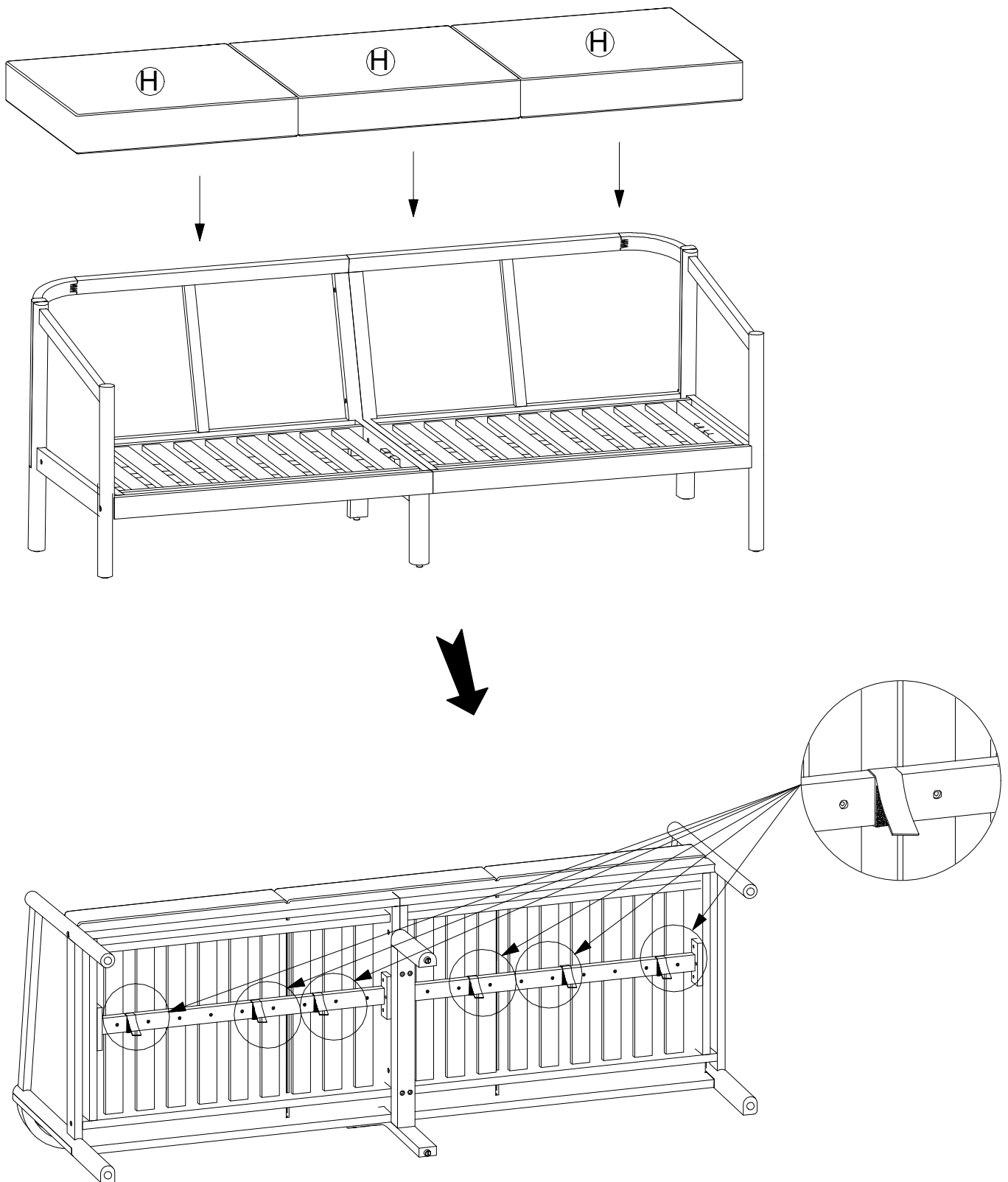
DO NOT fully tighten the Screws.

Step 9



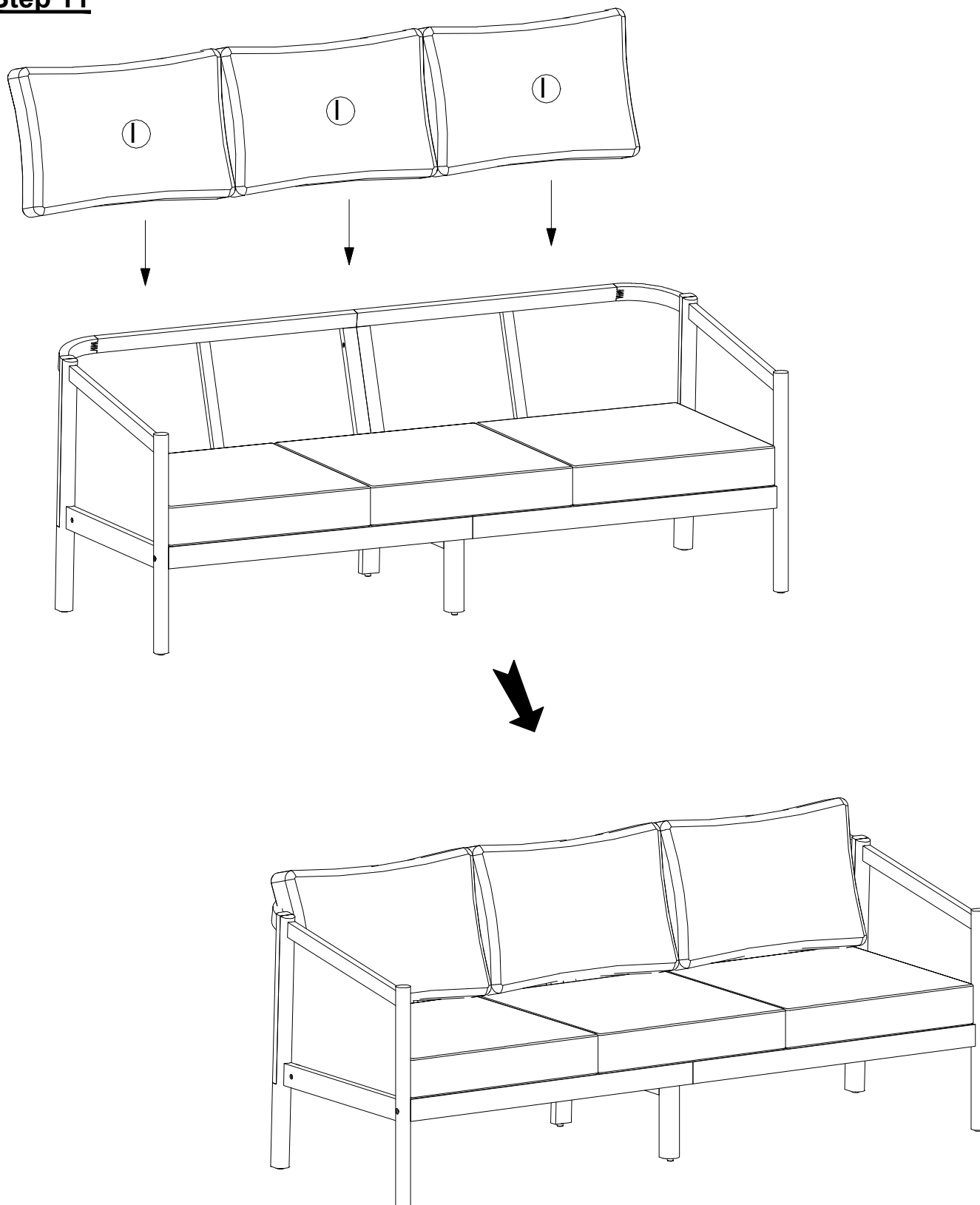
Turn the 3 Seater to the right side.
Inspect it and make sure all parts are adequately connected.
Gently and gracefully, sit onto the 3 Seater.
This will help to align all the parts at all joint areas.
Then get off the 3 Seater and proceed to tighten the Bolts and Screws in a sequential manner.
When tightening the Bolts, Screws tighten sequentially.
DO NOT tighten any Bolts, Screws fully and then move on towards the next one.
If there are still wobbles, loosen the Bolts, Screws and execute this same process.

Step 10



Place the Seat Cushion (H) on the Seat of the 3 Seater using the magic tape strap to secure as shown above picture.

Step 11



Place the Back Pillow (I) in the position as shown above.
Your 3 Seater is ready to use.
This 3 Seater can only be used on a flat, level surface.