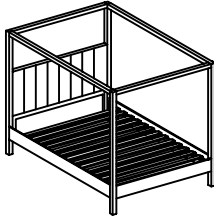


ASSEMBLY INSTRUCTION

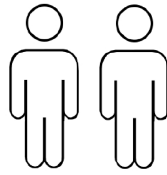
T



+ Do Not Use Power Tools



+ Suggested Adults



NOTE:

- 1 Read instructions cover to cover.
- 2 Save all packaging until assembly is completed.

1 IMPORTANT SAFETY INFORMATION

Do not assemble the product if any of the following parts arrived damaged:

- Part # - Side Rails
- Part # - Center Support Bar
- Part # - Support Legs
- Part # - Slats

2 IMPORTANT ASSEMBLY INFORMATION

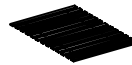
Assembly Step Ensure the side rail bracket is fully hooked onto bolt loosely threaded with both washers on the OUTSIDE of the bracket first, then proceed to fully tightening all 4 corners.

+ Parts Included

- | | | |
|--------------------------|--------------------------|---------------------------|
| ① Headboard
(1 of pc) | ② Footboard
(1 of pc) | ③ Side Rail
(2 of pcs) |
|--------------------------|--------------------------|---------------------------|



- | | | |
|-----------------------------|---|---------------------------------------|
| ④ 13 Pcs Slat
(1 of set) | ⑤ Headboard and Footboard Upper Metal
(2 of pcs) | ⑥ Side Rail Upper Metal
(2 of pcs) |
|-----------------------------|---|---------------------------------------|



- | | | |
|---------------------------------------|--|---------------------------------------|
| ⑦ Headboard Metal (Left)
(1 of pc) | ⑧ Headboard Metal (Right)
(1 of pc) | ⑨ Footboard Metal (Left)
(1 of pc) |
|---------------------------------------|--|---------------------------------------|

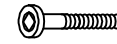


- | |
|--|
| ⑩ Footboard Metal (Right)
(1 of pc) |
|--|

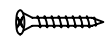


+ Hardware Included

- | | | |
|--|---------------------------------------|----------------------------------|
| A Black JCBC
M6x20mm
(16 of pcs) | B Black JCBC
M6x50mm
(8 of pcs) | C JCBB
M8x20mm
(16 of pcs) |
|--|---------------------------------------|----------------------------------|



- | | | |
|---------------------------------------|---------------------------------------|-----------------------------------|
| D Allen Key
M4 x 65mm
(1 of pc) | E Allen Key
M5 x 70mm
(1 of pc) | F CSK
M4 x 32mm
(26 of pcs) |
|---------------------------------------|---------------------------------------|-----------------------------------|

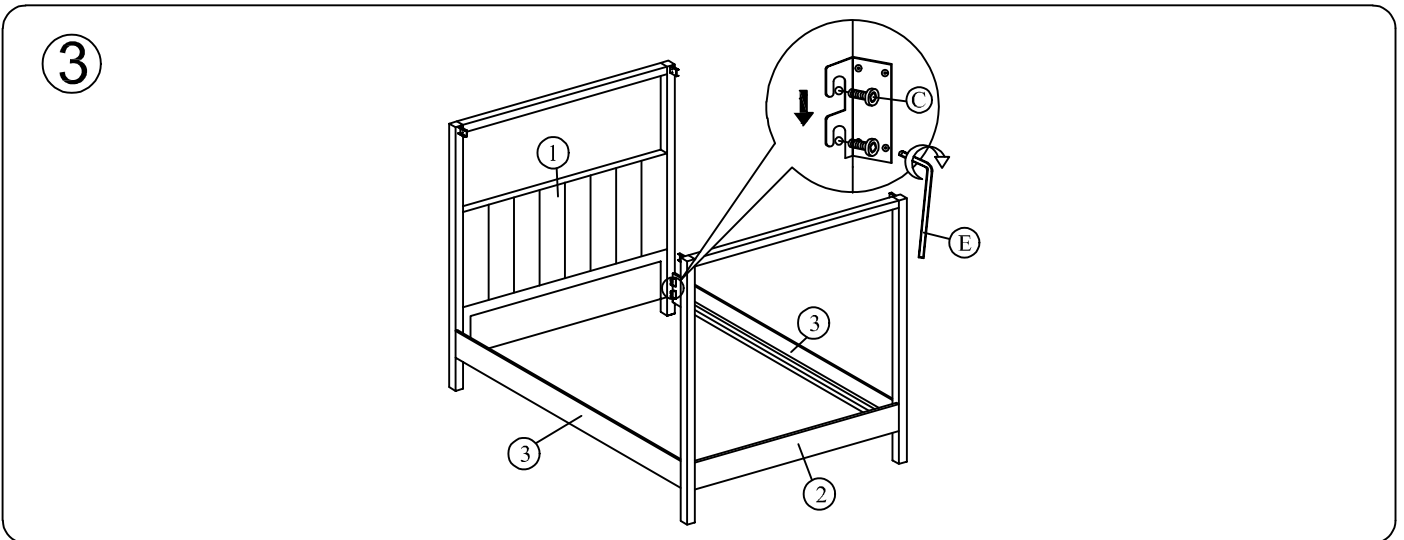
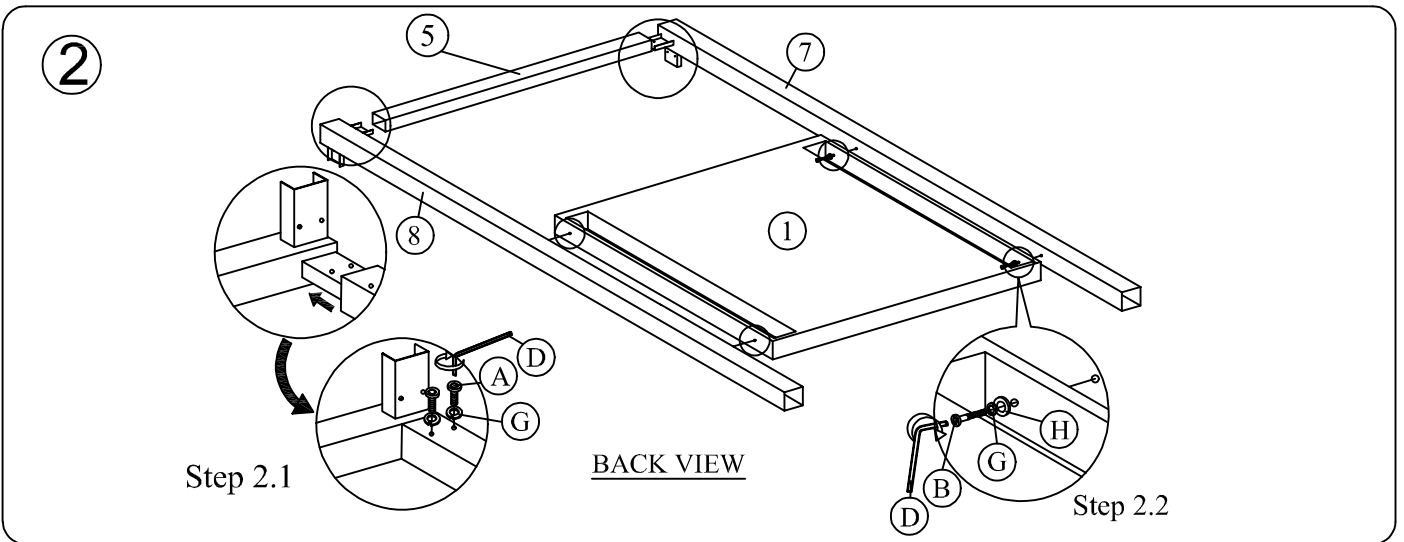
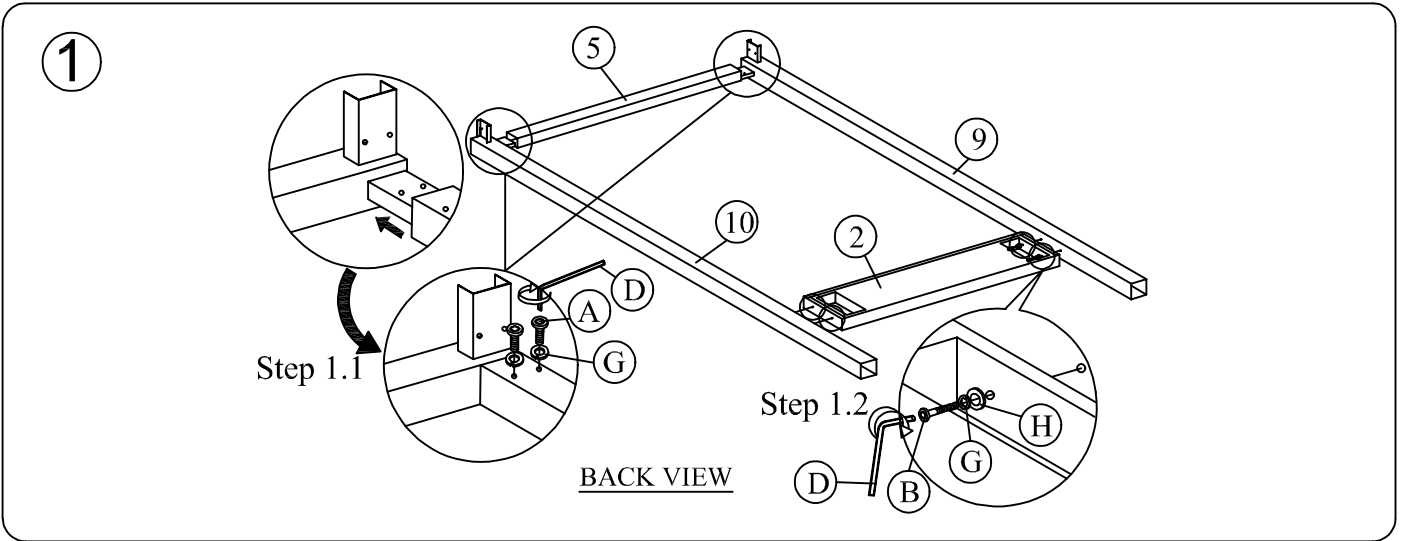


- | | |
|--------------------------------------|-----------------------------------|
| G Black Spring Washer
(24 of pcs) | H Black Flat Washer
(8 of pcs) |
|--------------------------------------|-----------------------------------|



ASSEMBLY INSTRUCTION

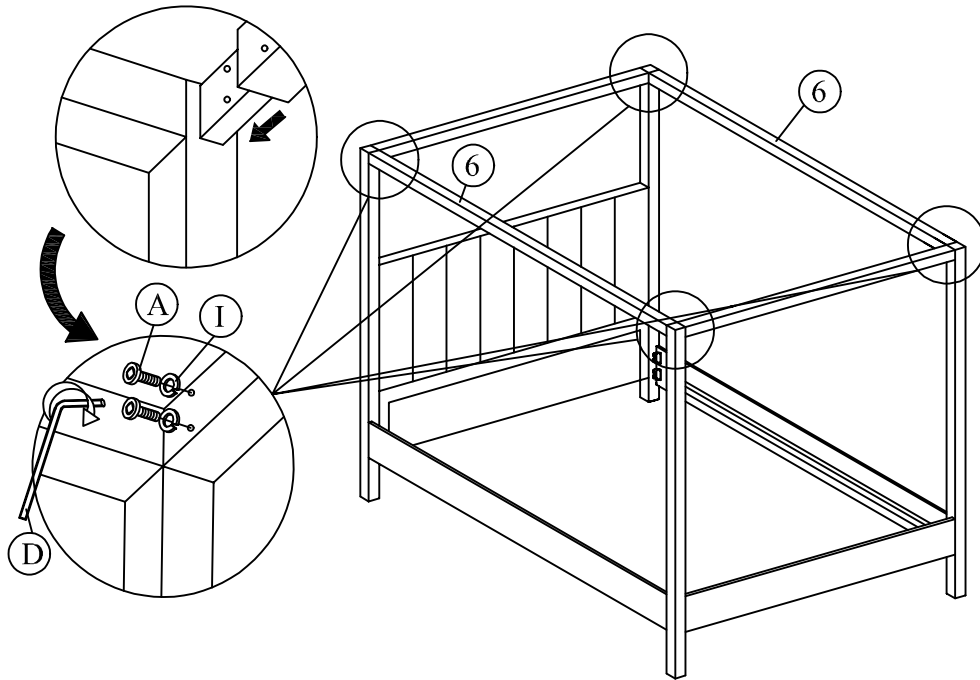
T



ASSEMBLY INSTRUCTION

T

4



5

