

ASSEMBLY INSTRUCTIONS



Fine Furniture for every stage of life

Mirror

REVISION 0 : 01/05/2009
REVISION 1 : 01/09/2012
REVISION 2 : 12/22/2020

ASSEMBLY INSTRUCTIONS

ASSEMBLY TIPS:

1. Remove hardware from box and sort by size.
2. Please check to see that all hardware and parts are present prior to start of assembly.
3. Please follow attached instructions in the same sequence as numbered to assure fast & easy assembly.



WARNING!

1. Don't attempt to repair or modify parts that are broken or defective. Please contact the store immediately.
2. This product is for home use only and not intended for commercial establishments.



ASSEMBLY TIME

10 MINUTES

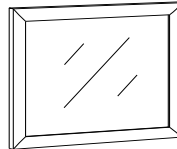
PARTS IDENTIFICATION

A DRESSER



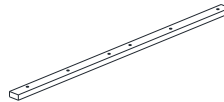
1PC

B MIRROR



1PC

C MIRROR SUPPORT
(PACKED WITH MIRROR)



2PCS

HARDWARE IDENTIFICATION

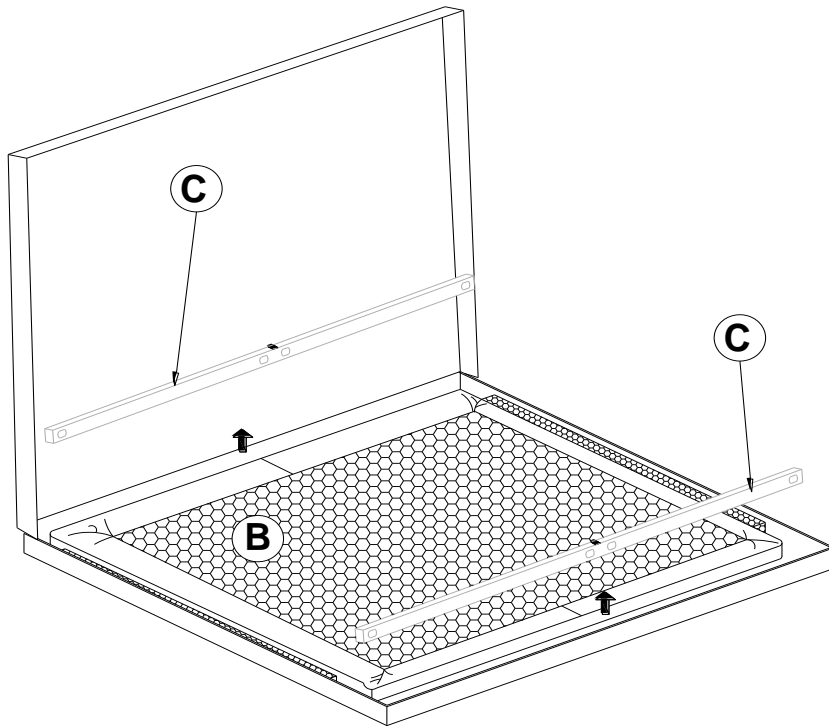
1 FLAT HEAD SCREW
(M4 x 32mm - RBW)



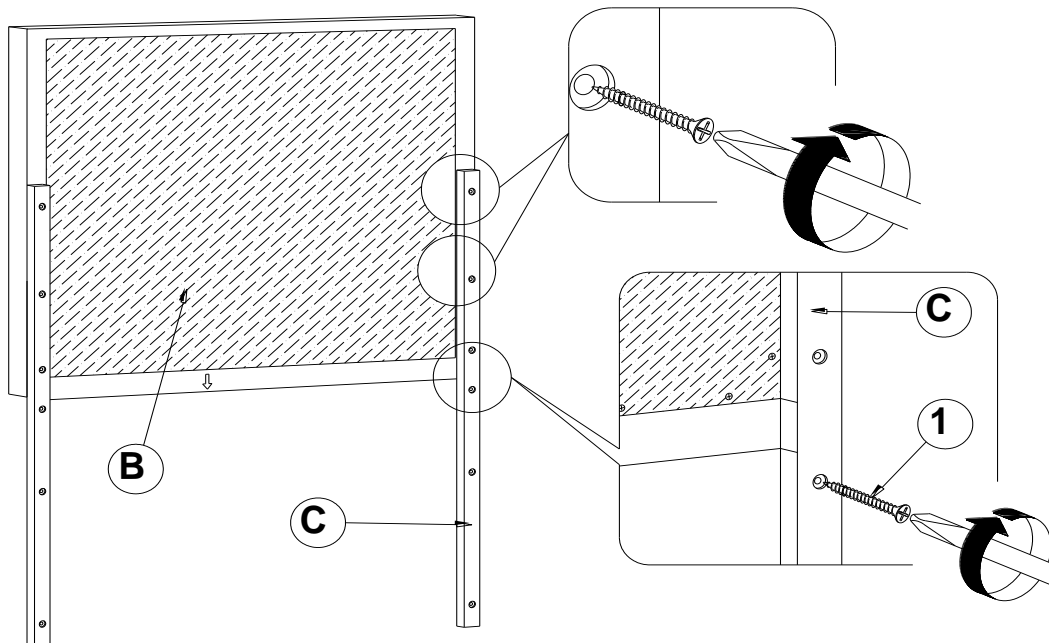
12PCS

ASSEMBLY INSTRUCTIONS

STEP 1



STEP 2

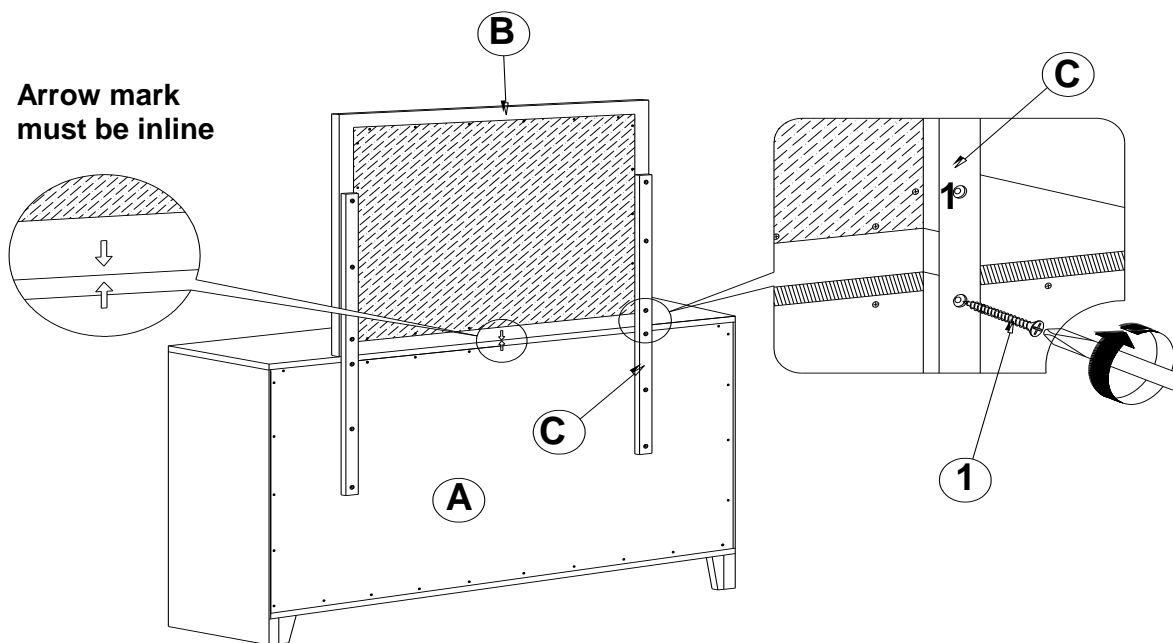


****BACK VIEW****

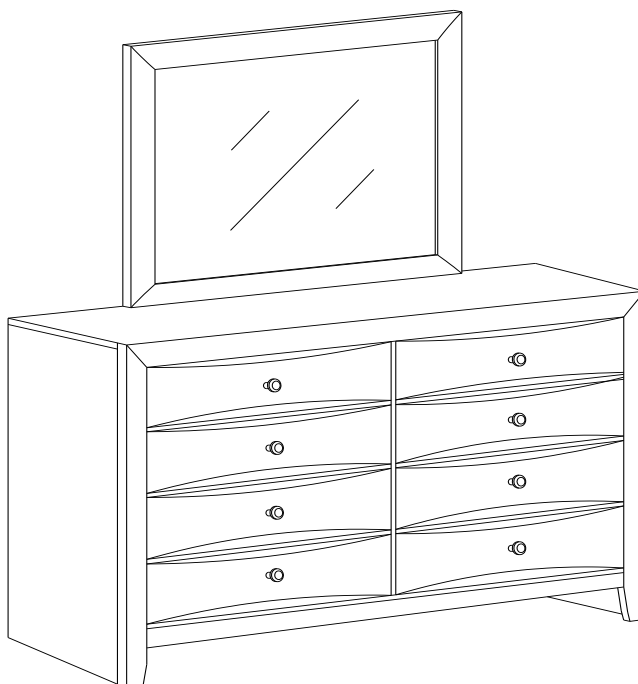
ASSEMBLY INSTRUCTIONS

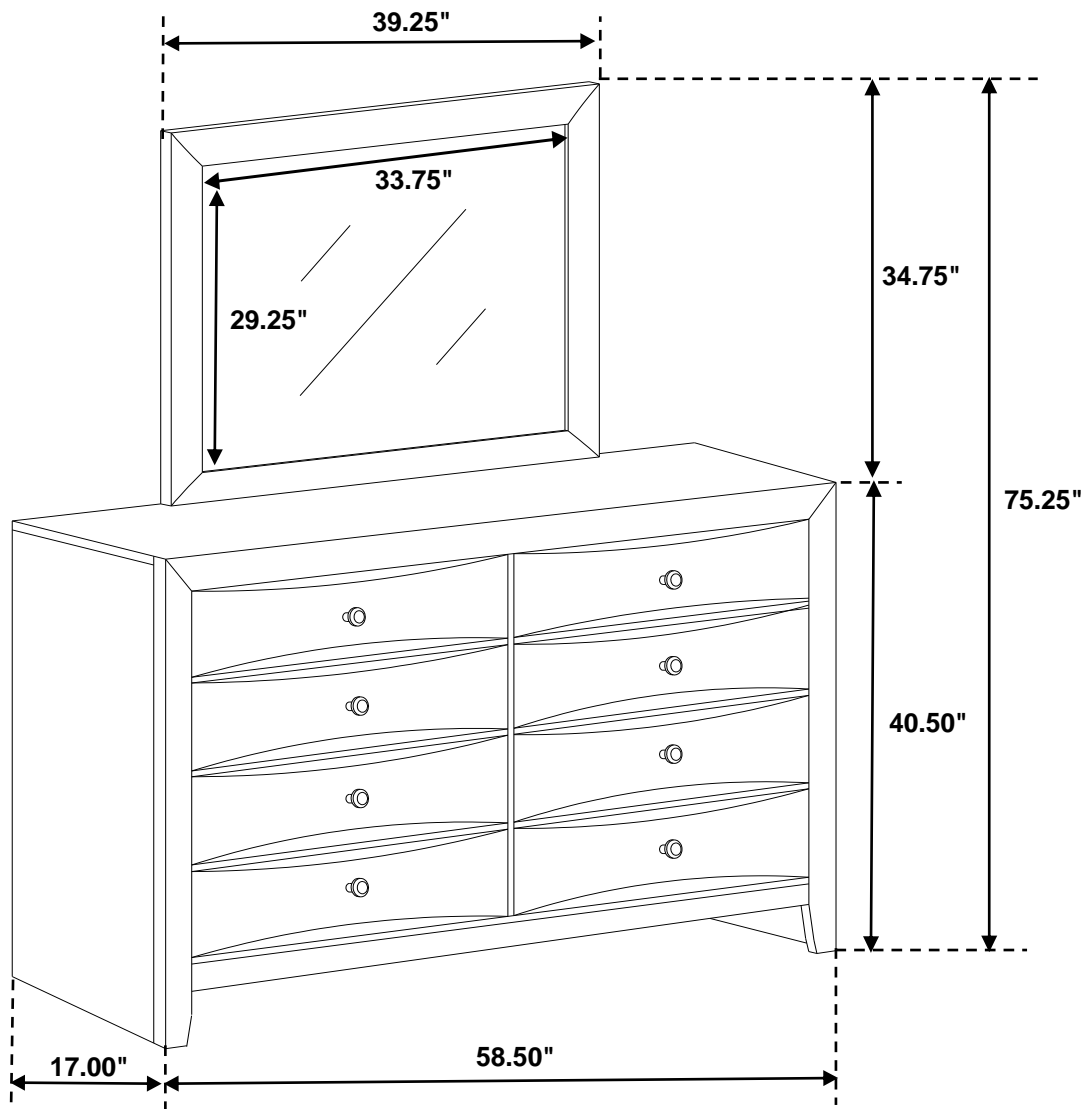
STEP 3

Arrow mark
must be inline



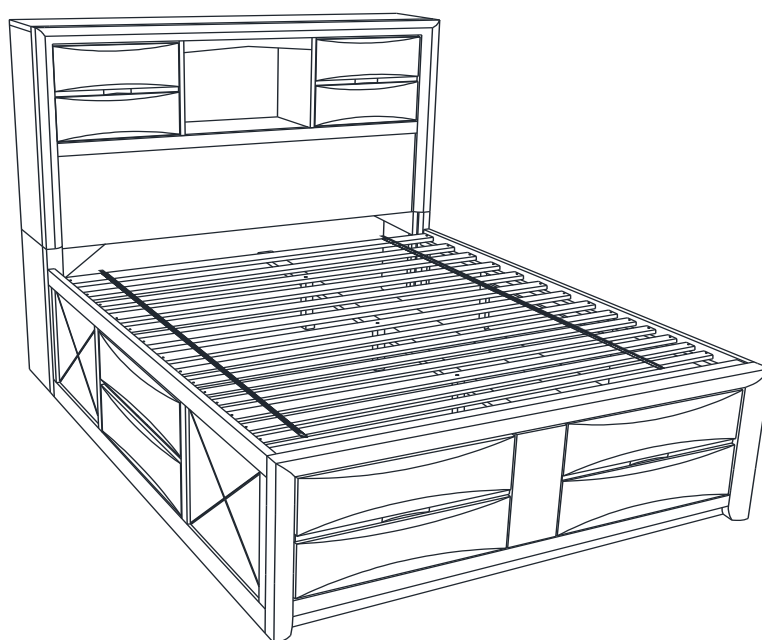
STEP 4 COMPLETE





Note : Dimension tolerance $\pm 5\%$

ASSEMBLY INSTRUCTIONS



Fine Furniture for every stage of life

Queen Storage Bed

REVISION 0 : 07/11/2012
REVISION 1 : 03/19/2013
REVISION 2 : 01/09/2017
REVISION 3 : 12/16/2020

ASSEMBLY INSTRUCTIONS

ASSEMBLY TIPS:

1. Remove hardware from box and sort by size.
2. Please check to see that all hardware and parts are present prior to start of assembly.
3. Please follow attached instructions in the same sequence as numbered to assure fast & easy assembly.



WARNING!

1. Don't attempt to repair or modify parts that are broken or defective. Please contact the store immediately.
2. This product is for home use only and not intended for commercial establishments.

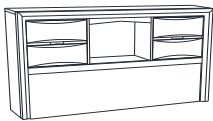


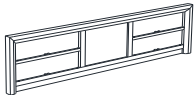

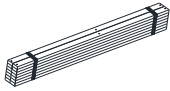
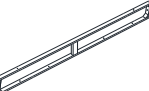

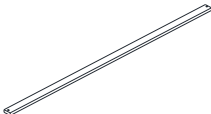

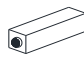




ASSEMBLY TIME

45 MINUTES

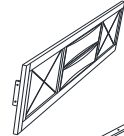
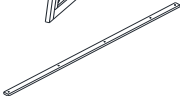
PARTS IDENTIFICATION

B1 (BOX 1)

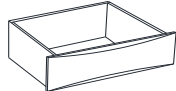
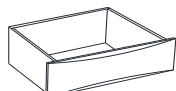

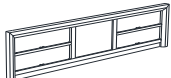
A	HEADBOARD PANEL		1PC
B	RIGHT HEADBOARD LEG		1PC
C	LEFT HEADBOARD LEG		1PC
D	FOOTBOARD		1PC
E	DRAWER GLIDE WITH RAIL		4PCS
F	ROLL SLAT (14PCS)		1 SET
G	DRAWER FRAME		1PC
H	CONCEAL PANEL		2PCS
I	TRESTLE BAR		2PCS
J	BED SLAT SUPPORT WITH LEVELER		3PCS
K	DRAWER FRAME SUPPORT WITH LEVELER		1PC

L	TRIANGLE SUPPORT PANEL		2PCS
M	BOTTOM CROSS RAIL		3PCS

B2 (BOX 2)

N	BED RAIL		2PCS
O	CENTER RAIL		1PC

B3 (BOX 3)

P	TOP DRAWER		2PCS
Q	BOTTOM DRAWER		2PCS
HB	*FROM BOX 1 HEADBOARD COMPLETE		1PC
D	*FROM BOX 1 FOOTBOARD		1PC

ASSEMBLY INSTRUCTIONS

ASSEMBLY TIPS:

1. Remove hardware from box and sort by size.
2. Please check to see that all hardware and parts are present prior to start of assembly.
3. Please follow attached instructions in the same sequence as numbered to assure fast & easy assembly.










WARNING!

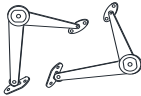

1. Don't attempt to repair or modify parts that are broken or defective. Please contact the store immediately.
2. This product is for home use only and not intended for commercial establishments.

HARDWARE IDENTIFICATION

BOX 1 - HARDWARE PACK

1	FLAT HEAD SCREW (M4 x 32mm - RBW)		40PCS
2	PAN HEAD SCREW (M3.5 x 16mm - BLK)		24PCS
3	SHORT BOLT (M6 x 35mm - BLK)		19PCS
4	LONG BOLT (M6 x 50mm - BLK)		5PCS
5	FLAT WASHER (1/4"ID x 13mm - BLK)		21PCS
6	LOCK WASHER (1/4" - BLK)		21PCS
7	ALLEN WRENCH (M4 x 110mm - BLK)		1PC

BOX 2 - HARDWARE PACK

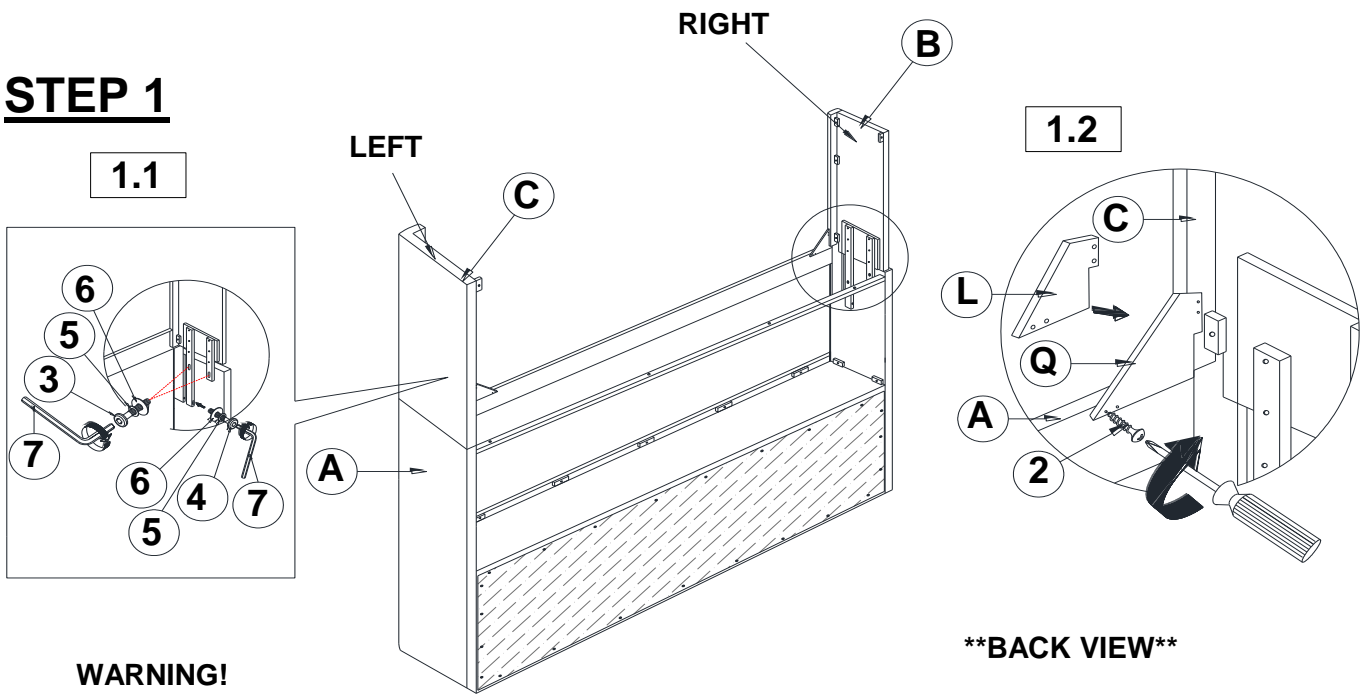
8	HINGE		2SETS
9	PAN HEAD SCREW (M3.5 x 16mm - BLK)		16PCS

NOTE:

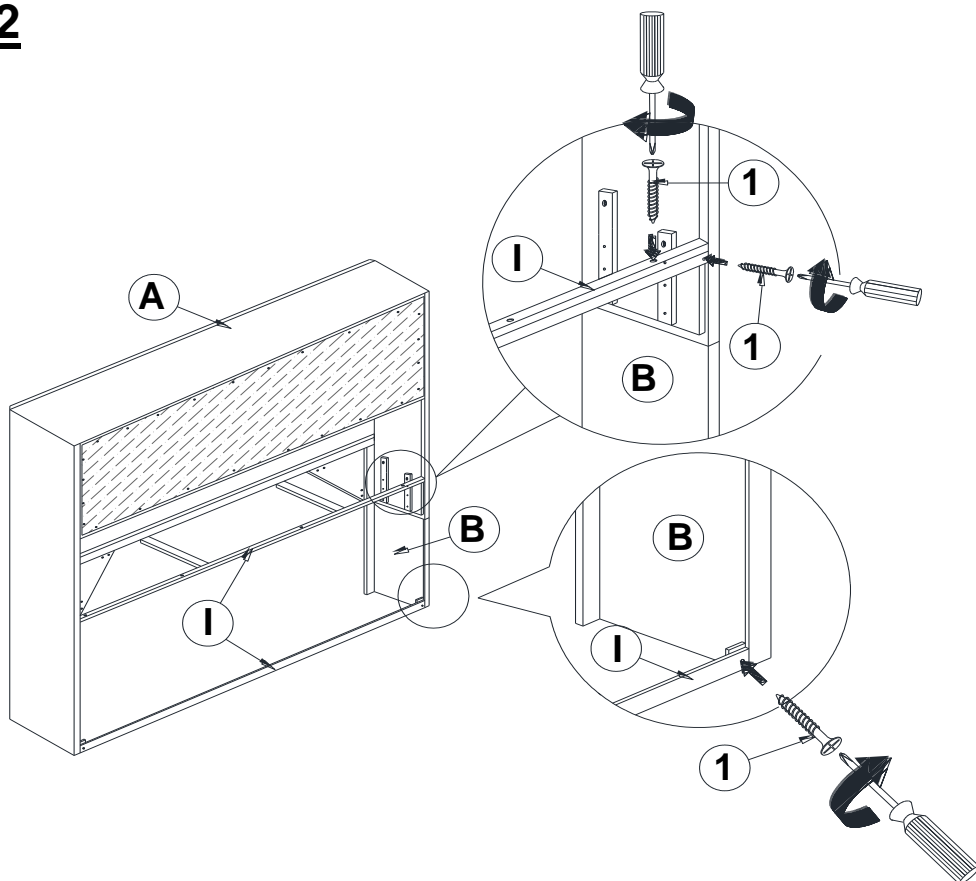
Phillips head screw driver is required in the assembly process; however, manufacturer does not provide this item.

ASSEMBLY INSTRUCTIONS

STEP 1

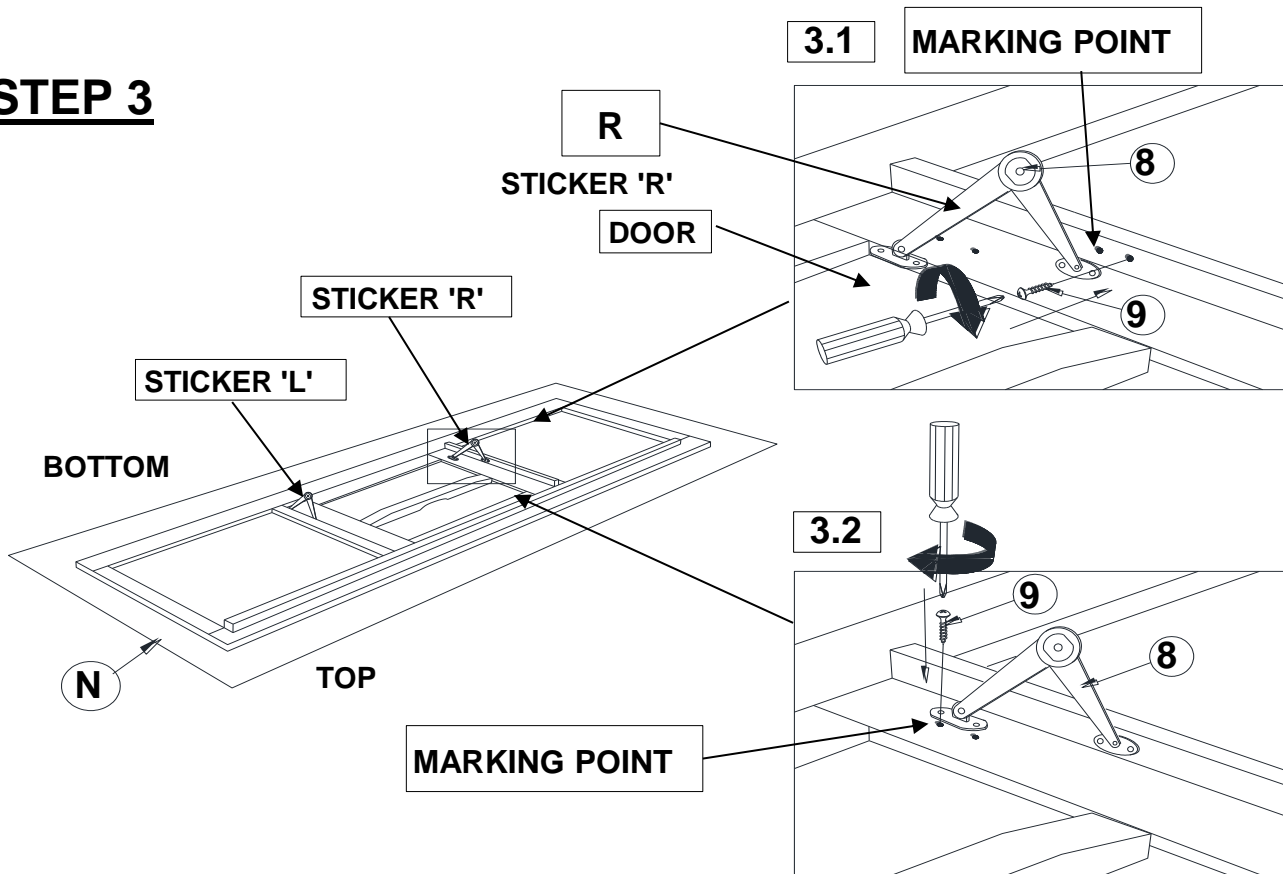


STEP 2

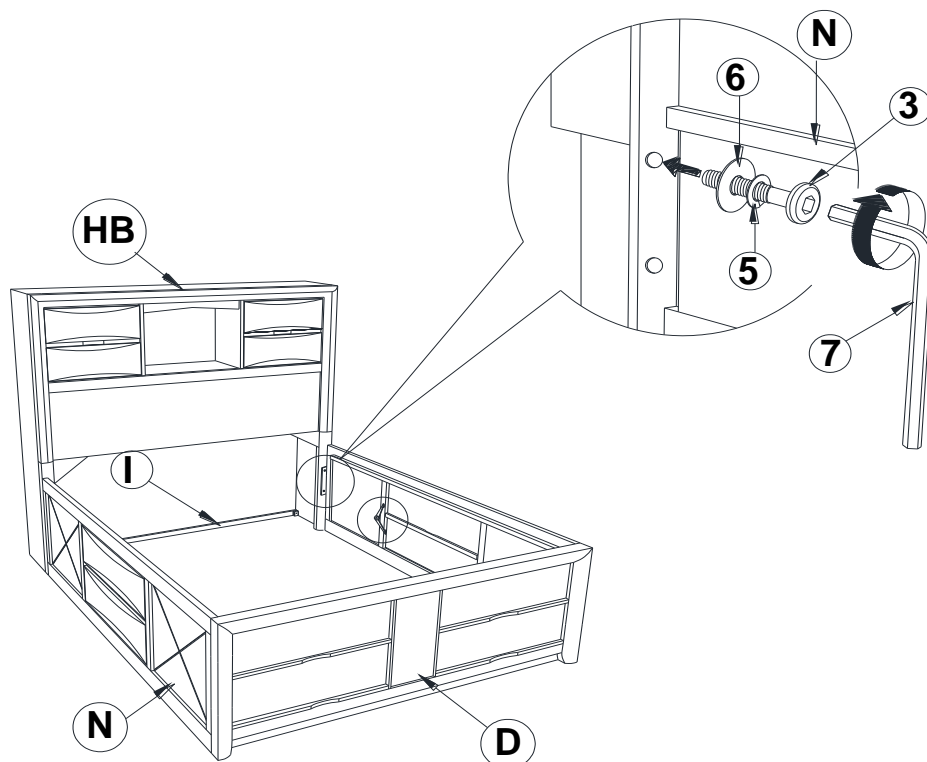


ASSEMBLY INSTRUCTIONS

STEP 3

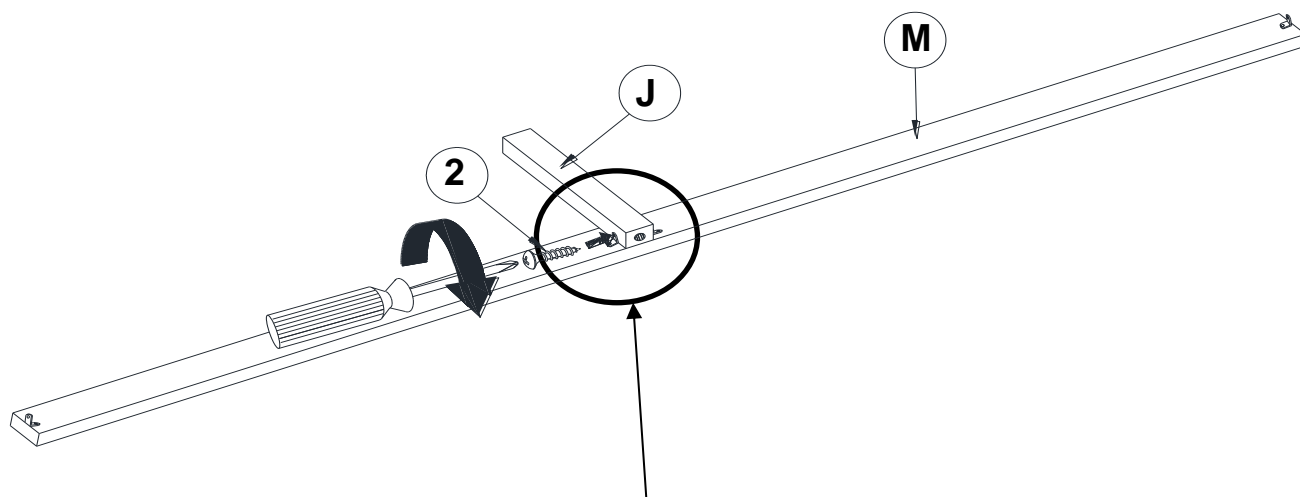


STEP 4

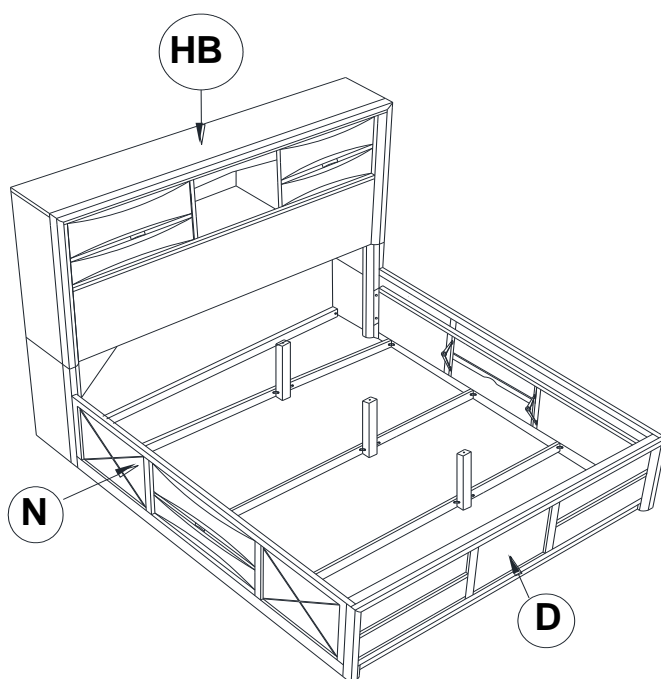


ASSEMBLY INSTRUCTIONS

STEP 5

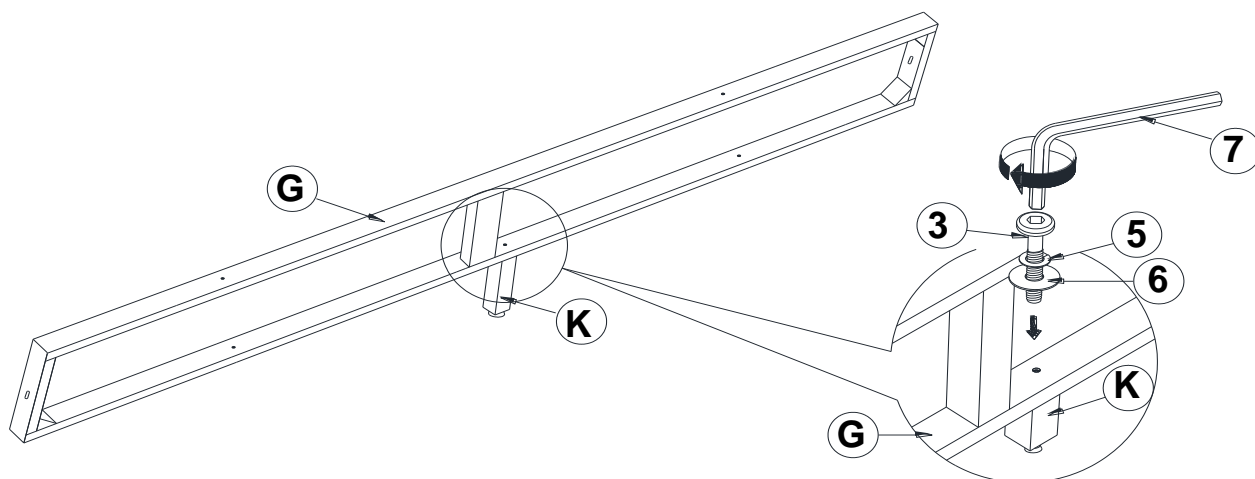


REMARK: MAKE SURE THE BOTTOM SURFACE OF THE BED SLAT SUPPORT (J) IS ALIGNED WITH THE EDGE OF THE BOTTOM CROSS RAIL (M)



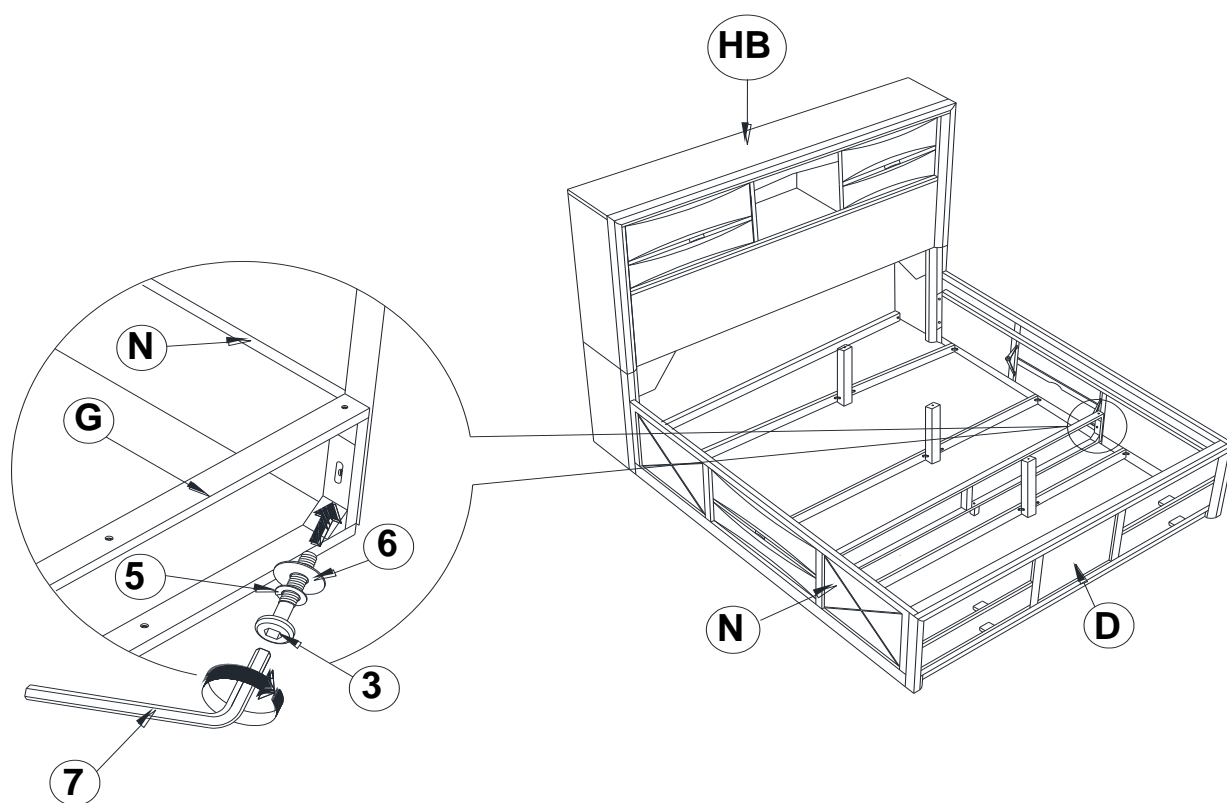
ASSEMBLY INSTRUCTIONS

STEP 6



STEP 7

REMARK: DO NOT FULLY TIGHTEN THE BOLT AT THIS STEP

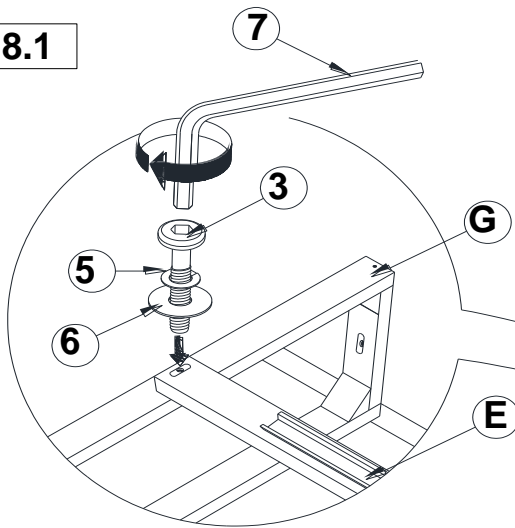


ASSEMBLY INSTRUCTIONS

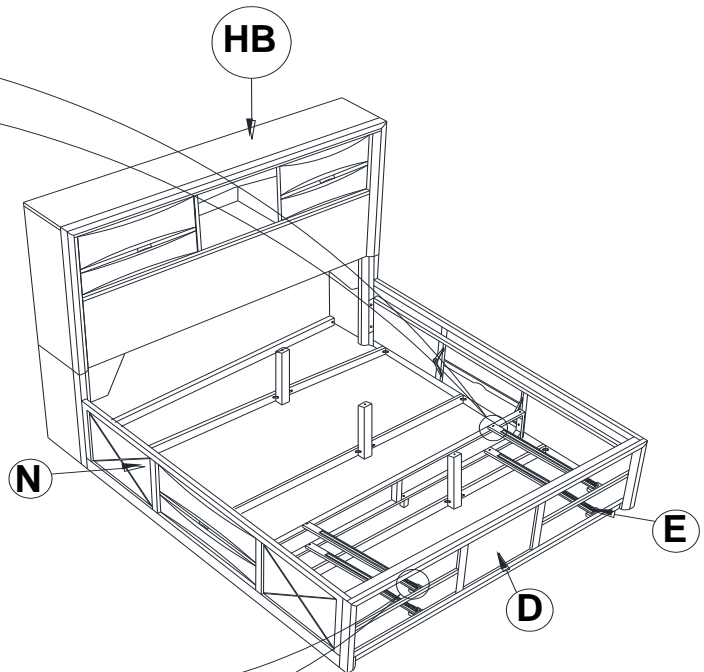
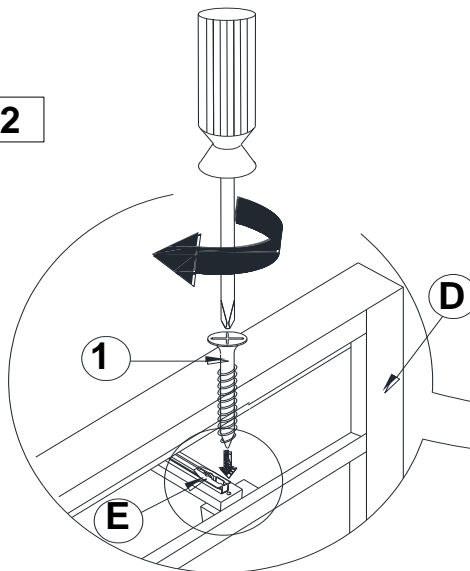
STEP 8

REMARK: DO NOT FULLY TIGHTEN THE BOLT AT THIS STEP

8.1



8.2

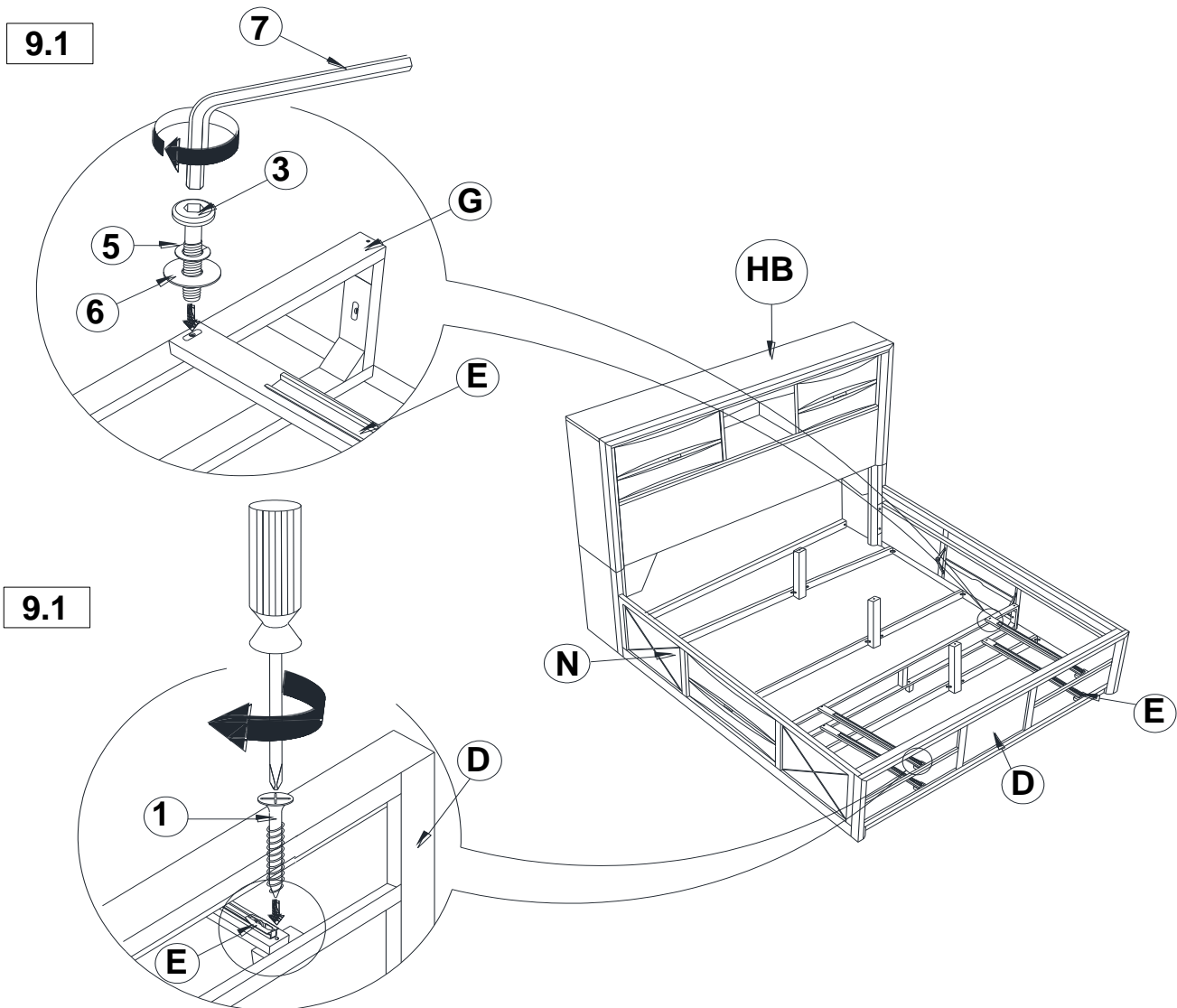


REMARK: MAKE SURE THE DRAWER GLIDE WITH RAIL (E) IS CENTER AGAINST THE CUT OUT ON THE WOOD CLEAT AND ALSO TOUCHING IT BEFORE FASTEN USING SCREW (1).

ASSEMBLY INSTRUCTIONS

STEP 9

REMARK: DO NOT FULLY TIGHTEN THE BOLT AT THIS STEP

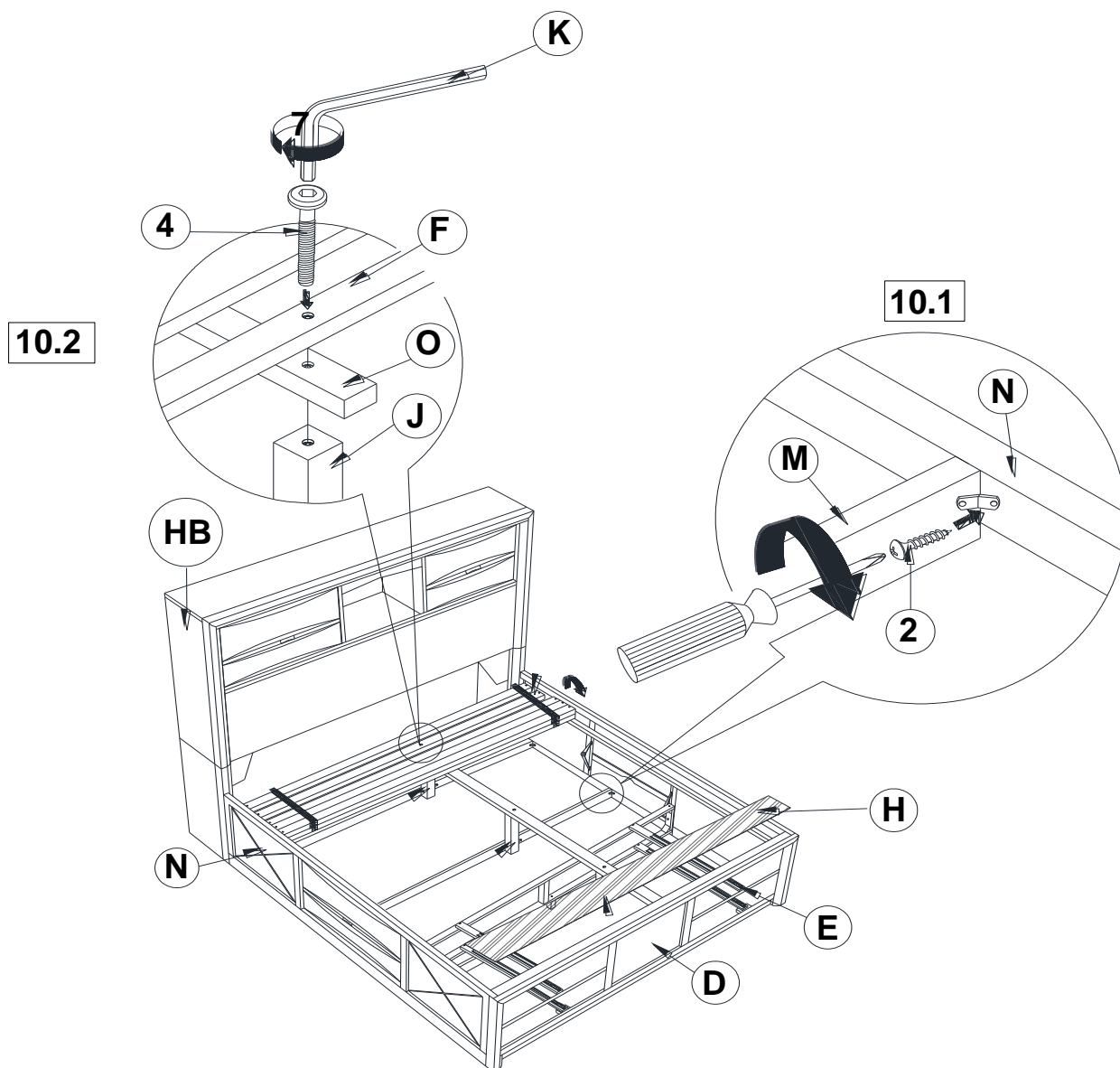


REMARK: MAKE SURE THE DRAWER GLIDE WITH RAIL (E) IS CENTER AGAINST THE CUT OUT ON THE WOOD CLEAT AND ALSO TOUCHING IT BEFORE FASTEN USING SCREW (1).

ASSEMBLY INSTRUCTIONS

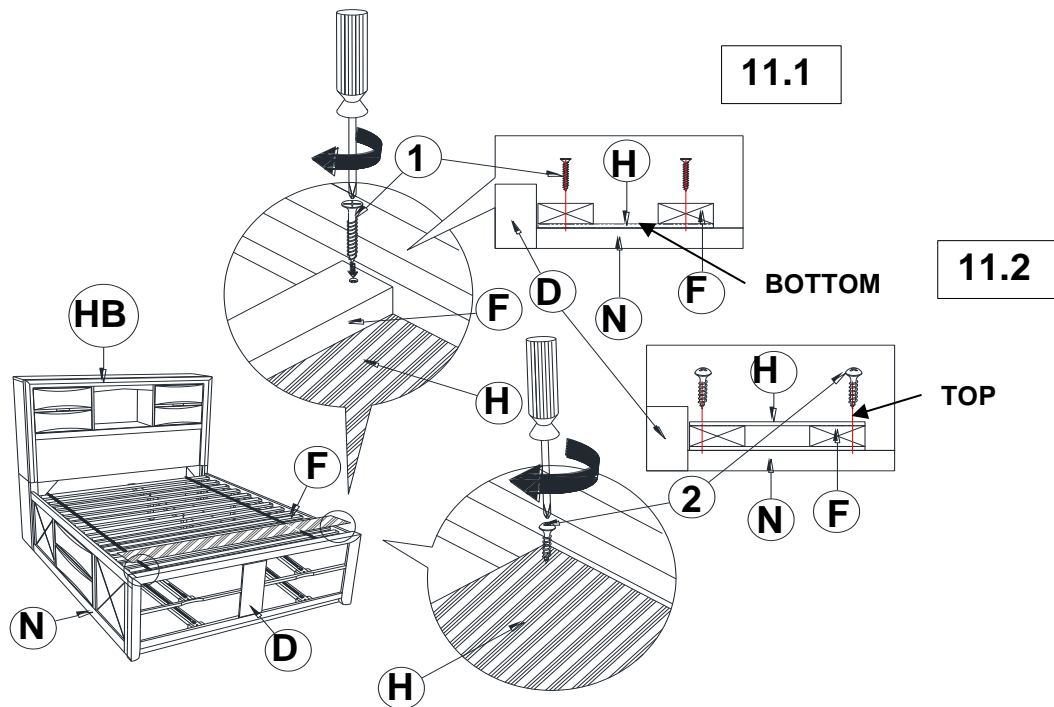
STEP 10

REMARK: DO NOT FULLY TIGHTEN THE BOLT AT THIS STEP



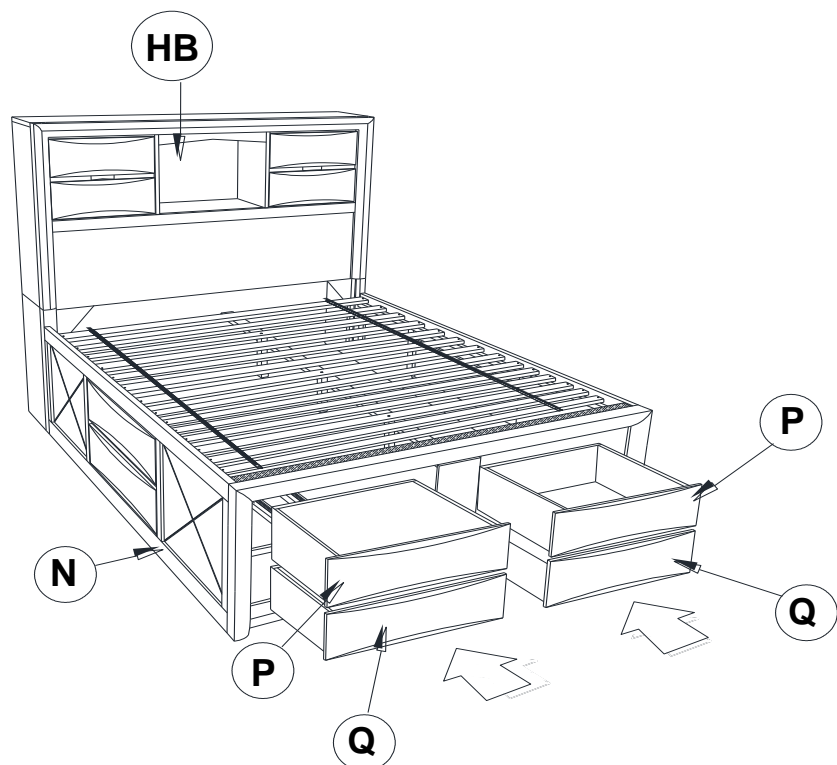
ASSEMBLY INSTRUCTIONS

STEP 11



REMARK: MAKE SURE ALIGN THE CONCEALED PANEL AT BOTTOM AND TOP OF LAST TWO SLAT AS DIAGRAM SHOWN.

STEP 12

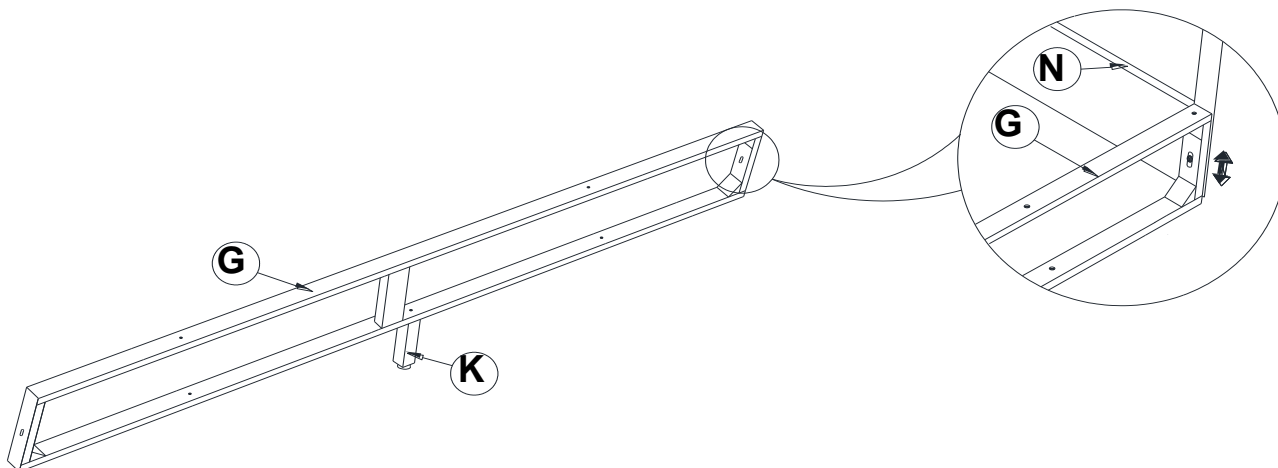


REMARK: REFER TO THE "TOP" & "BOTTOM" LABEL ON DRAWER PRIOR TO START OF ASSEMBLY.

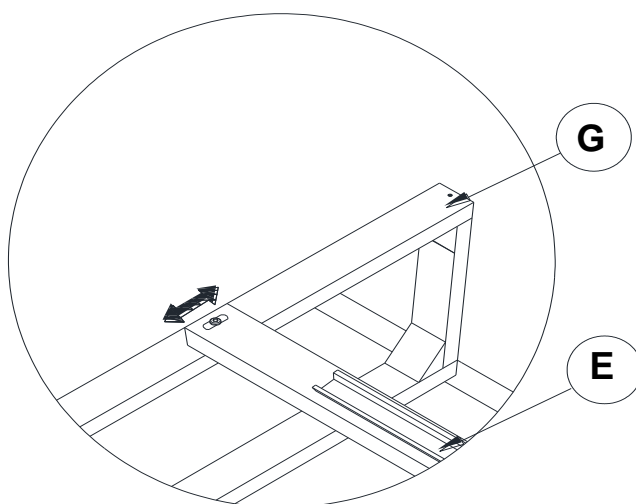
ASSEMBLY INSTRUCTIONS

REMARK: IF THE DRAWER IS NOT ALIGNED, PLEASE DO THE BELOW ADJUSTMENT:

- 1) To align the drawer up or down
Action : Adjust the drawer frame (G) to up or down.



- REMARK: 2) To align the drawer left or right.**
Action : Adjust the drawer glide with rail (E) to left or right.



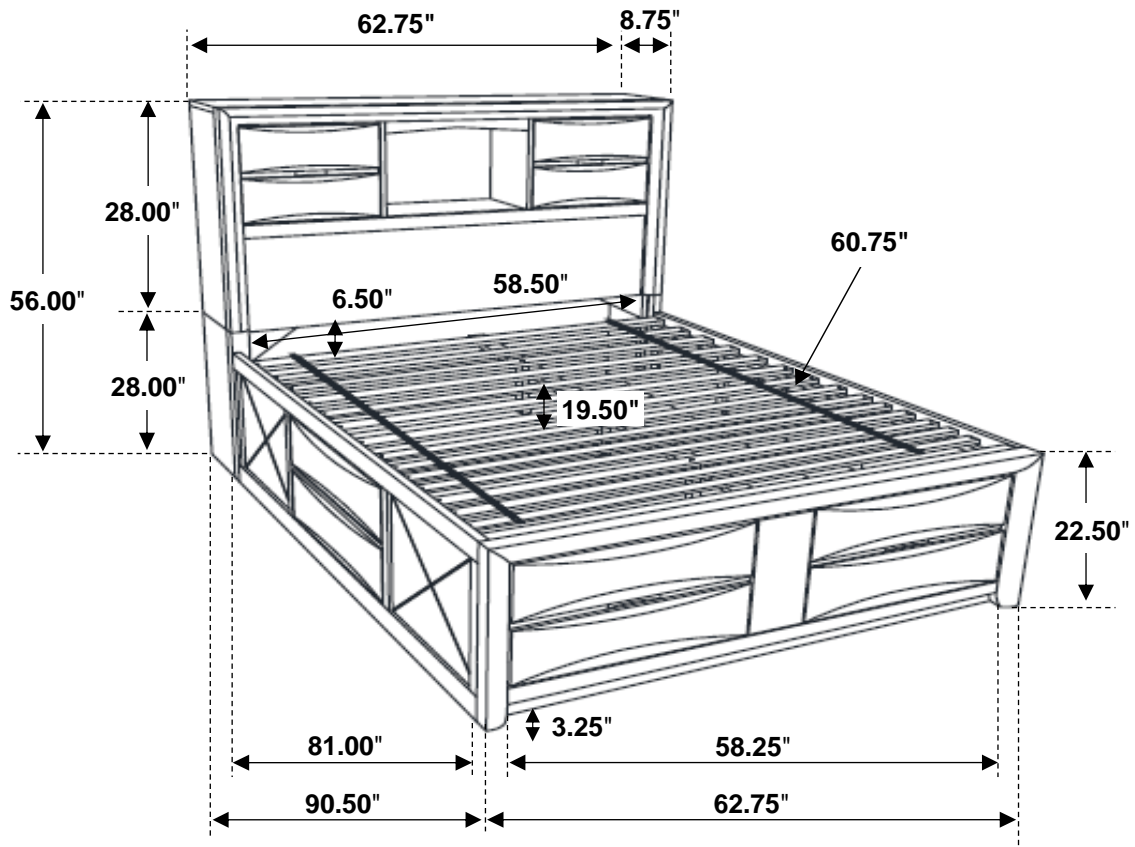
REMARK: AFTER COMPLETED THE DRAWER ALIGNMENT:

- 1) Adjust the leveler of drawer frame support (K) to touch the floor.
- 2) Fully tighten all the bolt from step 8, 9 & 10.



Inner Size: 60.75"W X 81.00"D

Inner Size of Drawer : 23.25"W X 12.75"D X 4.25"H X 0.25"T



Note: Dimension tolerance $\pm 5\%$