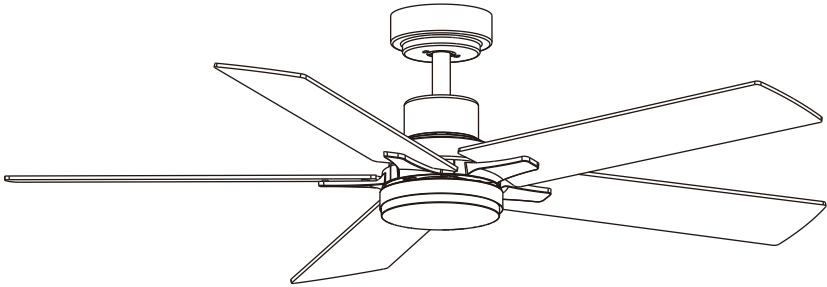


Ceiling Fan

Installation Manual



THANK YOU

We appreciate the trust and confidence you have placed in us through the purchase of this ceiling fan. We strive to continually create quality products designed to enhance your home. Thank you for choosing us!

Visit www.pmwfan.com for further assistance.

SAFETY PRECAUTIONS

The information contained in the following pages has been prepared to ensure your maximum enjoyment of your fan. Please remove the fuse or turn off the circuit breaker to cut off the power before installing the fan. Ensure all electrical connections are in compliance with local laws, regulations and national electrical codes. If you are not familiar with electrical installation and wiring, please hire a qualified electrician or consult the wiring manual.

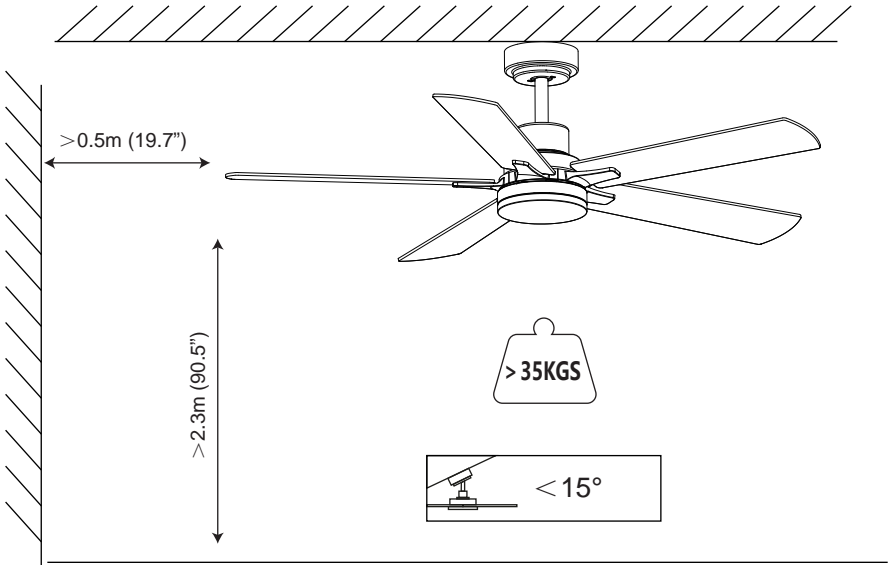
1. For your safety, all electrical connections and disconnections should be performed by a qualified electrician.
2. Any action performed for the electrical connection of the device must be carried out after ensuring that the general power supply is disconnected, by removing the corresponding fuse or disarming the protective switch in order to ensure total isolation of the power supply.
3. When deciding where to mount the fan, be sure that there is at least 50 cm of space between the fan and any wall or other obstruction that the fan blades could collide with. The greater this distance, the more effective the air flow produced. After the fan is mounted, be sure that the blades are no less than 2.3 m above the ground.
4. The anchor point for the fan must be able to support a weight of at least 35 kgs. If mounting on a ceiling junction box, be sure that the fan is adequately supported to prevent loosening or turning.
5. The fan's electrical connection must be "grounded" (the fan's ground cable connected to the installation's grounding network) in order to avoid any branching that may be dangerous to people.
6. Do not connect the fan's power supply to any dimmers, potentiometers, or light switches, as it will cause the fan to malfunction and/or will damage the motor. The fan must be directly connected to a properly protected installation circuit (magnetothermal differential switch with the adequate size for the fan's consumption and technical specifications). Only use the fan's control to turn it on or stop it.
7. It is recommended to not use these types of fans along with gas installations simultaneously in the same room.
8. The fan must be not be moving and must have come to a complete stop before changing its direction of rotation. This will prevent damage to its motor and to the control unit, when applicable.
9. Do not insert anything that could hit the fan's blades into its pathway while it is moving, as this could cause damage to people, can damage the blades, and can offset the balance of the unit, causing vibrations and wobbling.
10. After installing the fan, ensure that all fastenings are secure and tightened in order to avoid any noise caused by loose elements.
11. Due to the fan's movement, certain fastenings may become loose. Check all fastenings twice per year at a minimum in order to ensure that they are sufficiently tight. If necessary, they must be retightened.
12. The motor housing can be cleaned with a soft brush or a lint-free cloth to avoid scratching the surface. Clean the blades with a lint-free cloth. Important: Turn off the main power supply before starting any maintenance. Do not clean the fans with water or a damp cloth.
13. The fan can only operate normally after all blades are installed. If the fan is turned on without installing the blades, the receiver will detect that the fan speed is too fast and it will "Beep Beep". Then the fan will stop.
14. The light source contained in this luminaire shall only be replaced by the manufacturer or his service agent or a similar qualified person.
15. If unusual oscillating movement is observed, immediately stop using the ceiling fan and contact the manufacturer, its service agent or suitably qualified persons.
16. The replacement of parts of the safety suspension system device shall be performed by the manufacturer, its service agent or suitably qualified persons.
17. The fixing means for attachment to the ceiling such as hooks or other devices shall be fixed with a sufficient strength to withstand 4 times the weight of the ceiling fan.
18. It is recommended to inspect the connecting components of the fan at least once a year, including the horizontal pin, blade holder, hanger connection screws, and fan blades, to ensure that the product connections are still safe and reliable.

Battery WARNING:

- Keep out of reach of children. Swallowing can lead to chemical burns, perforation of soft tissue and death. Severe burns can occur within 2 h of ingestion. Seek medical attention immediately.
- If used incorrectly or if the battery is damaged, flammable liquid may be ejected from the battery. Contact with this liquid should be avoided. If contact accidentally occurs, rinse off with water. If the liquid comes into contact with your eyes, seek additional medical attention. Liquid ejected from the battery may cause irritation or burns.
- Do not expose the appliance or battery to excessive temperatures.
- Be aware of the risk of terminals of the battery-operated appliance or battery being short-circuited by metal objects.
- Do not use modified or damaged batteries.
- Non-rechargeable batteries are not to be recharged.
- Different types of batteries or new and used batteries are not to be mixed.
- Batteries are to be inserted with the correct polarity;
- Exhausted batteries are to be removed from the appliance and safely disposed of.
- If the appliance is to be stored unused for a long period, the batteries should be removed.
- Battery: 1.5V*2AAA

Note: The important warnings and instructions indicated in this manual are not guaranteed to cover all possible conditions and situations that may occur. It must be understood that common sense, precaution, and care are factors that cannot be included in all products. These factors can and must only be provided by the user who maintains and enjoys this fan.

DIMENSIONS



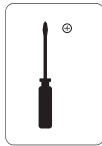
TOOLS REQUIRED



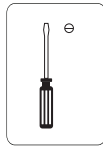
Step
ladder



pliers



Phillips
screwdriver



Flat blade
screwdriver



Electrical
tape

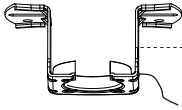


tape
measure

PACKAGE LIST



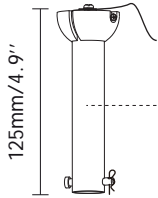
Unpack your fan and check the contents. You should have the following:



1. Bracket



2. Canopy



3. Down rod



4. Coupling cover



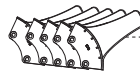
5. Body/motor



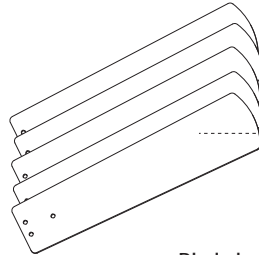
6. Light kit



7. Light cover

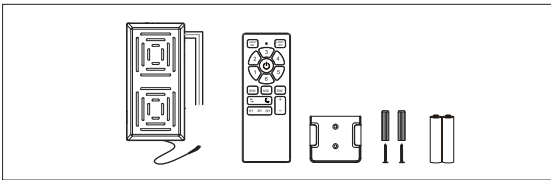


8. Blades connector

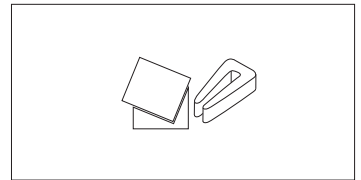


9. Blades

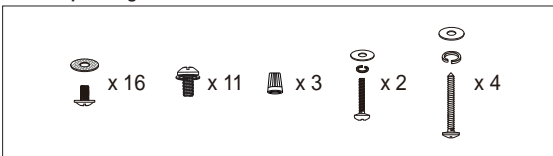
Remote control unit



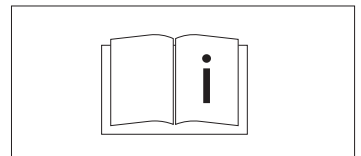
Blade balancing kit



Screw package



Instructions manual



• Note: The Illustrations in this manual are for explanation purposes only and may differ from the actual unit. It is subjected to change without prior notice for further improvements.

HANGING BRACKET INSTALLATION

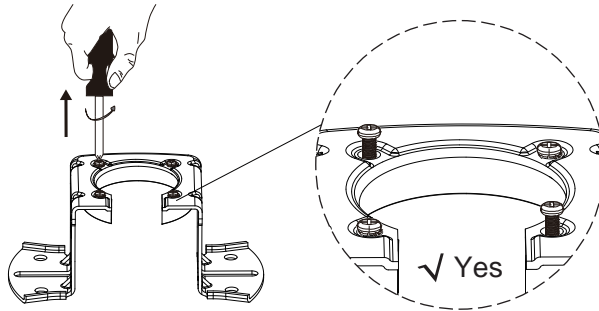


• Make sure electricity is turned off at the main power box before commencing work. Turn off the power by removing fuse or turning off circuit breaker before installing the fan.



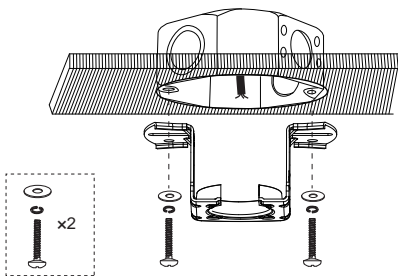
- Make sure that ceiling joists are strong enough and of adequate size to support the weight of the fan of about 35 kg.
- Can be installed on <math><15^\circ</math> sloped roof.
Use different screws to secure the bracket according to the ceiling material.

① Loosen two screws on bracket.



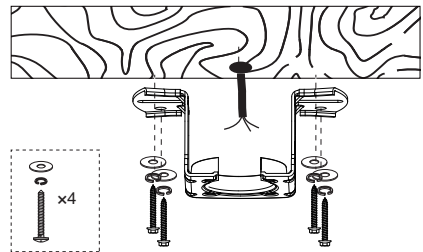
② Use different screws to secure the bracket according to the ceiling material.

Outlet Box



Wooden ceiling

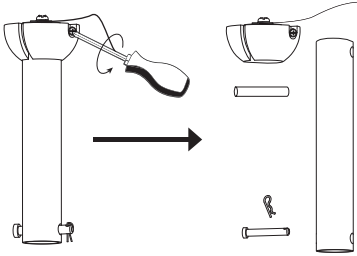
OR



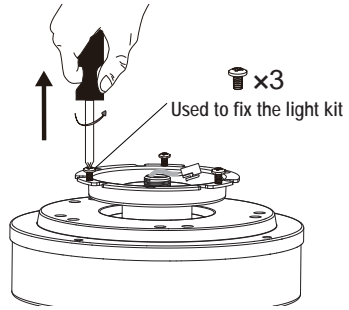
Check bracket for secure fit.

BASIC ASSEMBLY OF THE FAN

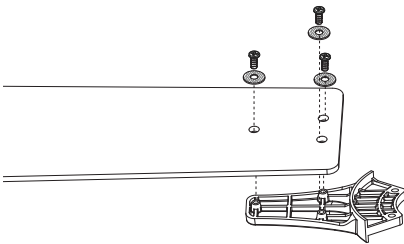
① Decompose downrod.



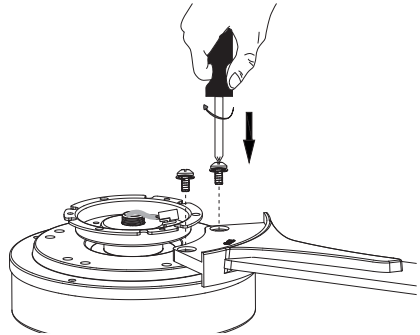
② Remove the screws from the motor body .



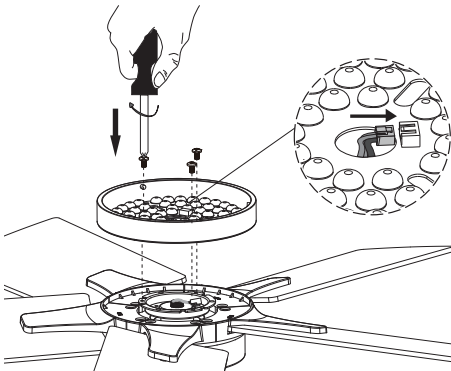
③ Assemble blade and blades connector.



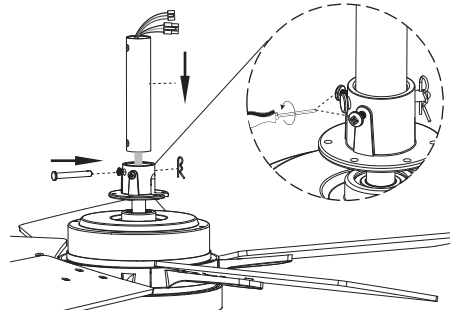
④ Align the blades with the mounting holes, and then fix them with screws.



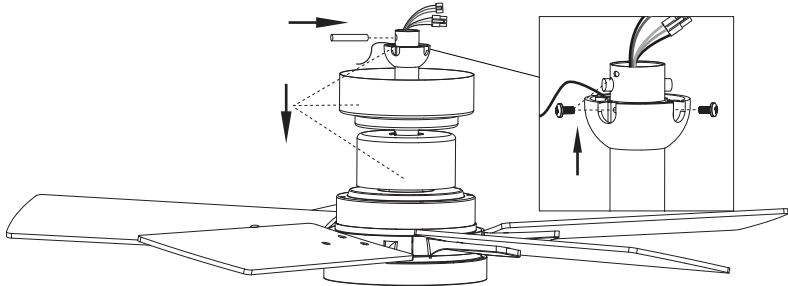
⑤ Connect terminal. Then fix the light kit to the motor with screws.



⑥ Route all the wires through the downrod. Fix the downrod to the coupling with bolt, and then insert the clevis pin. Tighten the two screws on coupling and tighten them firmly.

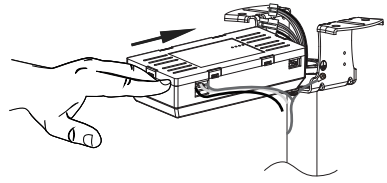
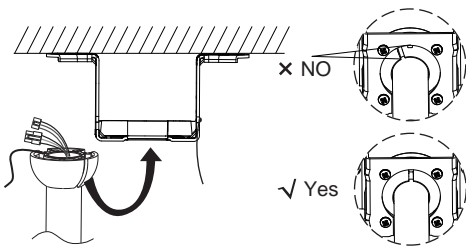


- ⑦ Assemble the canopy, coupling cover, and hanging ball through the down rod. Then insert the fixing pin, push the hanging ball up, and fix it with screws.



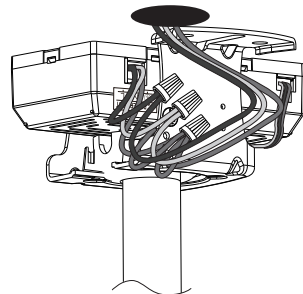
- ⑧ Lift motor assembly onto mounting bracket. Install the ball joint onto the mounting bracket opening. Rotate fan until notch on downrod ball engages the ridge on the mounting bracket.

- ⑨ Put the receiver into the bracket.

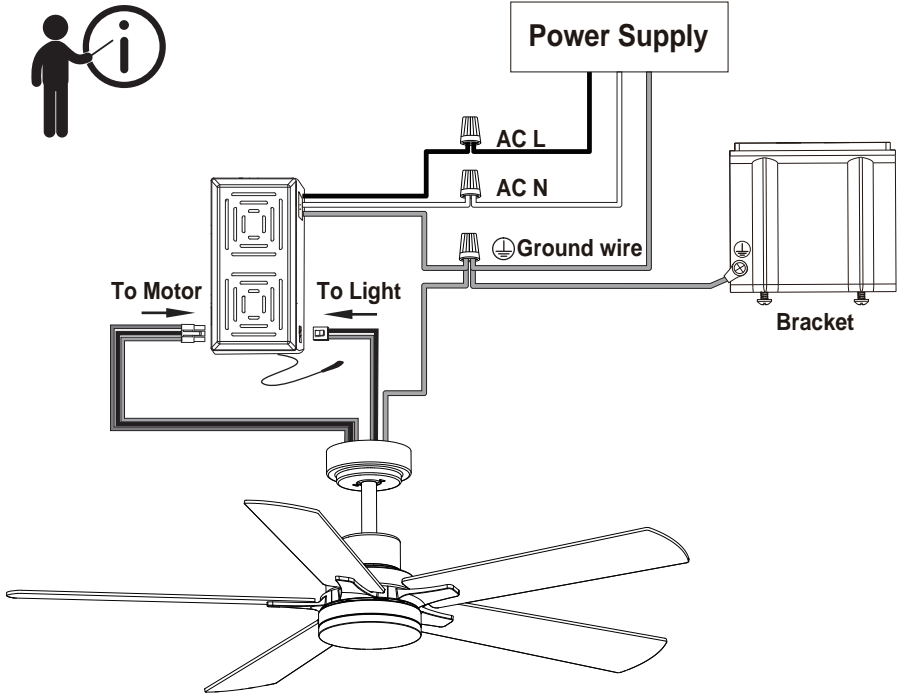


WIRING

- ① Make the wire connection in accordance to the wiring diagram provided.

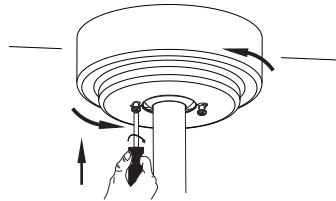
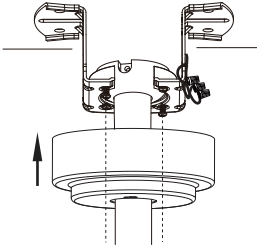


WIRING DIAGRAMS

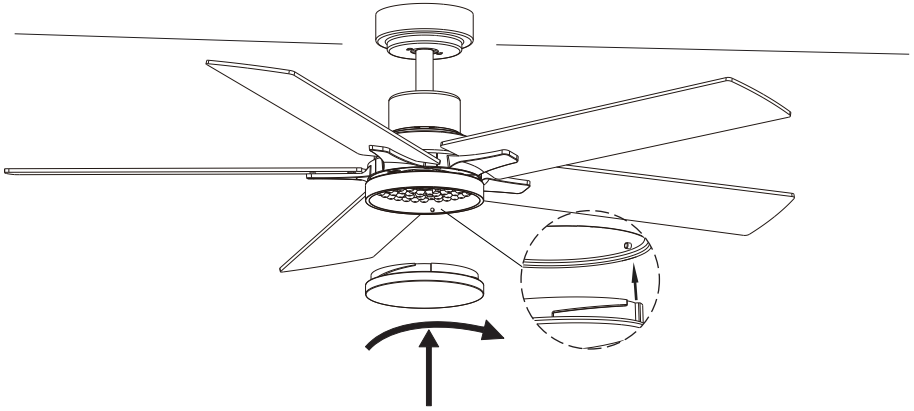


INSTALL REMAINING PARTS

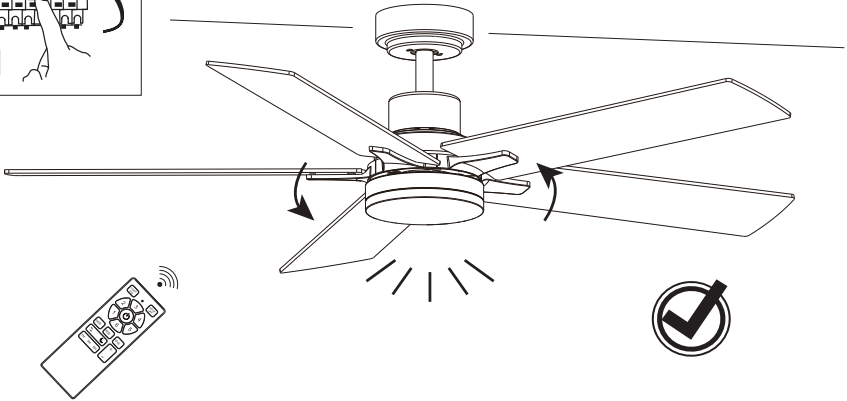
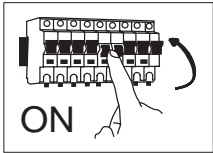
- ① Rotate the canopy clockwise until screw heads engage the key slots fully. Tighten the screws. Be careful not to damage or cut the wiring. Then insert the decorative ring into canopy.



② Install lampshade.

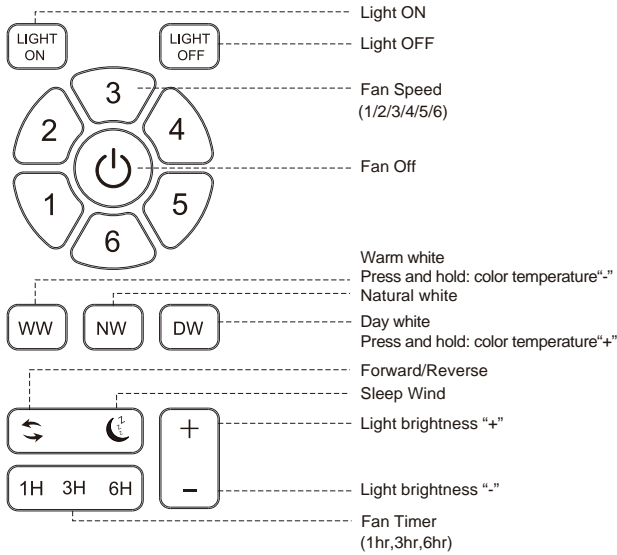


Start ceiling fan



REMOTE CONTROL OPERATION

Transmitter Function

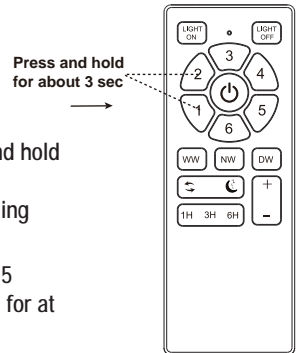


Transmitter learning process

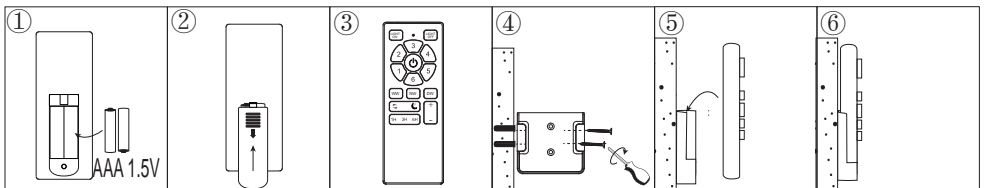
• NOTE: The remote control has been pre-paired in the factory for your convenience.

1. Insert the 2 pcs of batteries into transmitter.
2. Turn on the power supply to the fan. Within 10 seconds, press and hold the “1” and “2” button for about 3 seconds. Once the receiver has detected the frequency, receiver will “Beep Beep” twice. Programming process is completed and fan is ready to use.

About the Memory Function of Lights: Please wait for more than 3-5 seconds keep this color that you need at first, and then turn off wait for at least 10 seconds turn on again. This light color would be your need.



Remote Control Holder Installation



TROUBLESHOOTING



WARNING: Make sure the power is off at the electrical panel box before you attempt any repairs.

Problem	Solution
The fan will not start.	<input type="checkbox"/> Check the main and branch circuit fuses or breakers.
	<input type="checkbox"/> Check the line wire connections to the fan and switch wire connections in the switch housing.
	<input type="checkbox"/> Check to make sure the frequency switches from the remote control and receiver are set to the same frequency.
The fan sounds noisy.	<input type="checkbox"/> Make sure all motor housing screws are snug.
	<input type="checkbox"/> Make sure the screws that attach the fan blade to the motor hub are tight.
	<input type="checkbox"/> Make sure the wire nut connections are not rattling against each other or the interior wall of the switch housing.
	<input type="checkbox"/> Allow a 24-hour "breaking-in" period. Most noises associated with a new fan disappear during this time.
	<input type="checkbox"/> If using the ceiling light kit, make sure the glassware is secured tightly.
	<input type="checkbox"/> Make sure there is a short distance from the ceiling to the canopy. It should not touch the ceiling.
The remote control is not working.	<input type="checkbox"/> Make sure your ceiling box is secure and that rubber isolator pads are used between the mounting bracket and outlet box.
	<input type="checkbox"/> Make sure the frequency switches are set correctly.

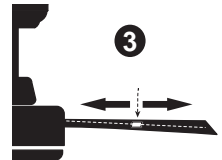
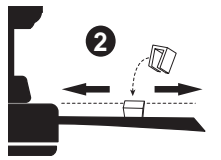
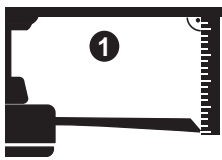
Balancing – Wobbling problems during fan operation

If the fan body wobbles during its operation, this is not a sign of malfunctioning (even if it wobbles a few centimeters). To reduce wobbling, you can turn off the fan, and:

1. Check that all blades are properly fastened by tightening their screws.
2. Check the distance between each blade and the ceiling. Measurements to the ceiling can be carried out as shown in the following diagram. If variations exist and you have already correctly tightened the screws, check that all blades have the same shape. If any of them have a shape that is visibly different, this may be causing an imbalance during fan operation.

If you have completed the previous steps and the wobbling has not resolved, you should apply dynamic balancing with the kit provided, as explained below:

1. Turn the fan on to the highest speed so that the greatest amount of wobbling is produced.
2. Turn off the fan. Select a blade and place a clip on it (see diagram) halfway between the fastening and the far edge of the blade.
3. Turn on the fan and check whether the wobbling has improved or gotten worse. Turn it off once again and if the wobbling has not improved, place the clip on another blade. Repeat this process and determine on which blade it improves the wobbling.
4. Leave the clip on the blade that produces the best results. Move the clip forward or backwards on this blade until finding the position that offers the best results.
5. Afterwards, remove the clip and place one of the weights on the upper part of the center line of the blade at the position where the clip was located.



Ceiling Fan

Questions, problems, missing parts? Before returning to the store,
visit www.pmwfan.com for further assistance.

Retain this manual for future use.

Manufacturer: Zhongshan Miaowang Electrical Appliance Co., Ltd.

Address: Building C, No.10, Qingfu Road, Henglan Town, Zhongshan City, Guangdong Province,CN

Website: www.pmwfan.com

Tech Support Telephone: +12092272409

Tech Support Email Address: support@pmwfan.com