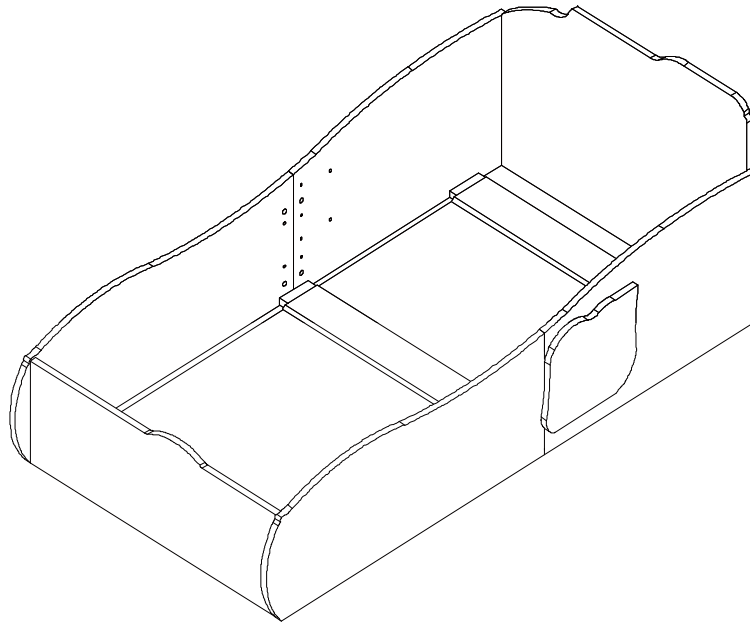


TODDLER BED

ASSEMBLY INSTRUCTIONS
ADULT ASSEMBLY REQUIRED

DeltaTM
Children's Products



Consumer Information



WARNING ENTRAPMENT / STRANGULATION HAZARD

Infants have died in **TODDLER BEDS** from entrapment and strangulation. **Failure** to follow these warnings and the assembly instructions could result in serious injury or death.

NEVER place bed near windows where cords from blinds or drapes may strangle a child.

DO NOT place items with string, cord, or ribbon around a child's neck, such as hood strings or pacifier cords.

DO NOT suspend strings over a toddler bed for any reason, or attach strings on toys.

Guardrails are used as a mattress containment means. Guardrails provided must be used to avoid the formation of a gap between the mattress and the bed that could cause entrapment.

Toddler bed must have more than 12 inches (31cm) of space between the toddler bed and solid objects such as a wall or dresser. Child could slide into small space and suffocate.

DO NOT use a water mattress with this toddler bed.



WARNING:

DO NOT use for infants. This bed is not a substitute for a crib. The toddler bed is intended for a child between 15 months and 5 years of age. Maximum weight 50 pounds (22.7kg). The mattress intended for use on the bed shall be a full size crib mattress having minimum dimensions of 51 5/8 in. (1310 mm) in length 27 1/4 in. (960 mm) in width and 4 in. (100 mm) thickness or greater.

DO NOT use this bed without a mattress.

- This package contains small parts.
- Keep away from children during assembly.
- Adult assembly required.
- Screws left after assembly should be kept out of reach of children.
- Instructions are generic. Figures may vary.

Assembly

IMPORTANT! Before assembly or each use, inspect all parts for damaged hardware, loose joints, missing parts or sharp edges.

DO NOT use if any parts are missing or damaged.

Contact manufacturer for replacement parts and instructions if needed.

NEVER substitute parts.

BE SURE bed rails are secure. Bed rails must be attached to headboard on the inside of the post.

Care and Maintenance

Caring and Storing Your Product: when cleaning wood parts use soft cloth with fine furniture polish or mild soap. Never leave vaporizer near product, as moisture can damage bed. When storing product it must be in a dry environment between 40 degrees Fahrenheit to 95 Fahrenheit.

Manufactured for and distributed by:

Delta
Children's Products™

114 West 26th Street, New York, NY 10001



Customer Service

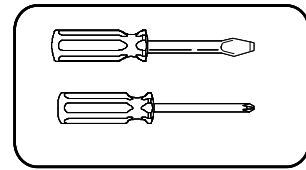
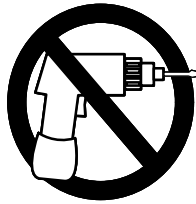
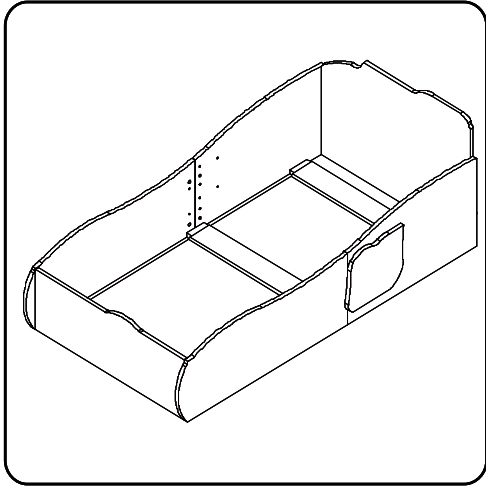
www.DeltaChildrensProducts.com

Tel. (212) 645-9033

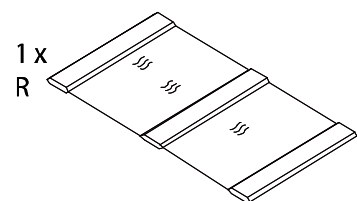
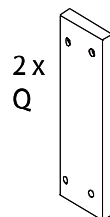
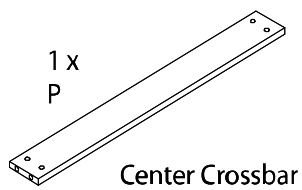
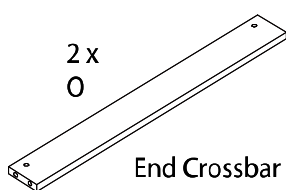
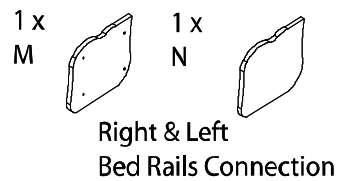
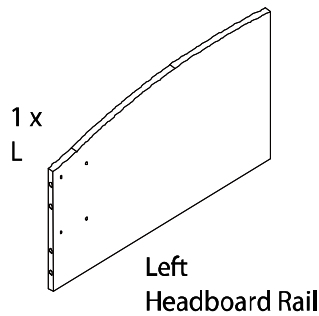
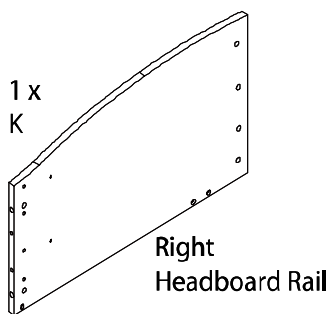
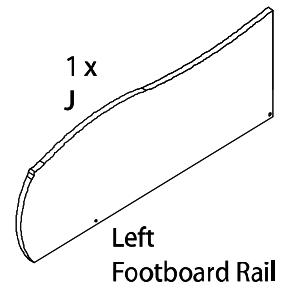
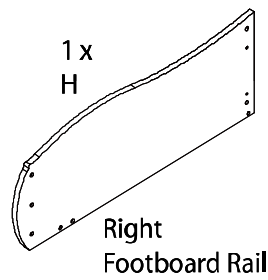
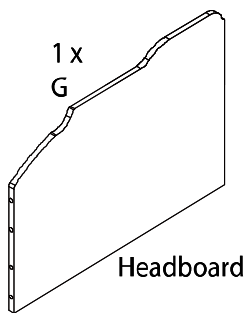
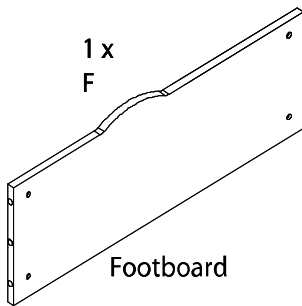
Made in China

PARTS

IMPORTANT! Please remove all parts from the package and identify them before assembly.

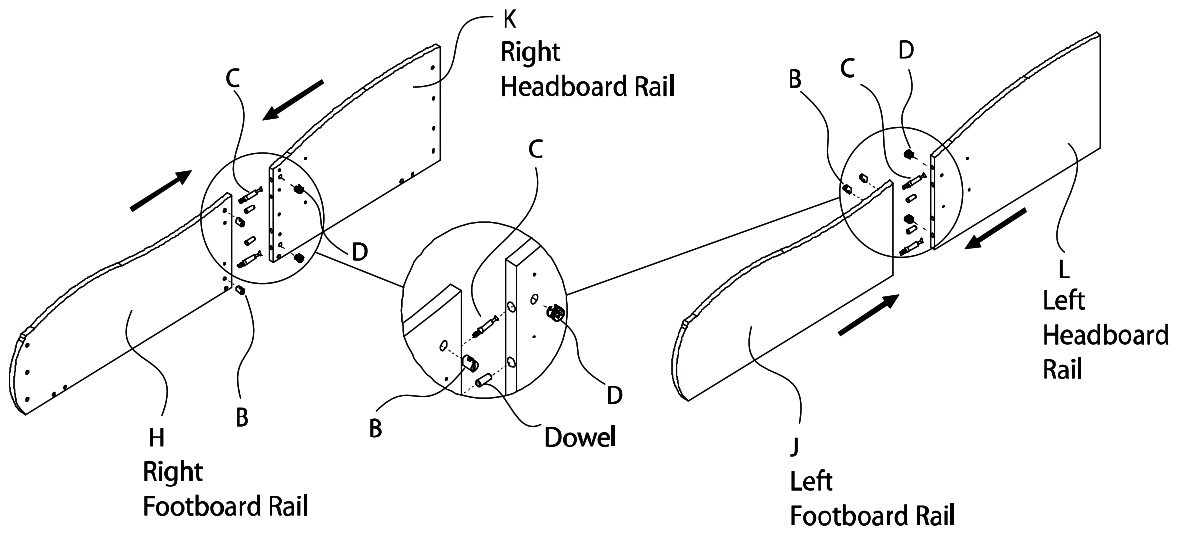


16 x A		20 x B	
			Lock Nut
4 x C		4 x D	
	Cam Lock Screw		Cam Lock
16 x E		14 x	
	Screw		Dowel

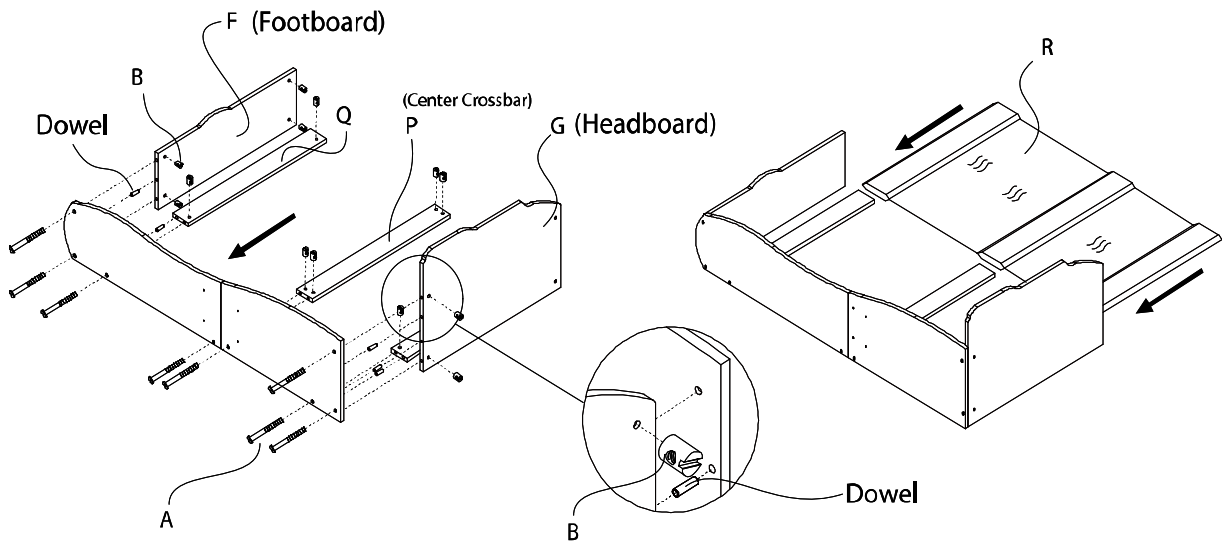
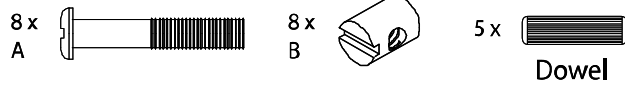


BED RAILS ASSEMBLY

1



2



ASSEMBLY

