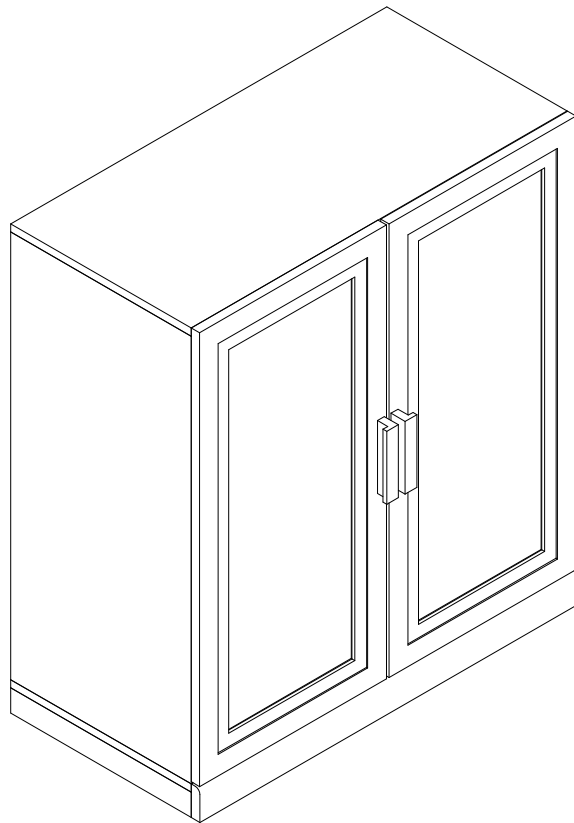
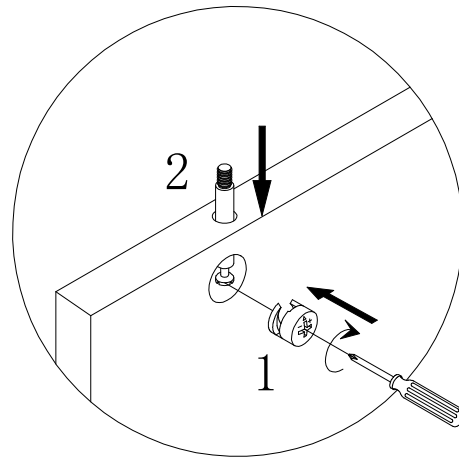
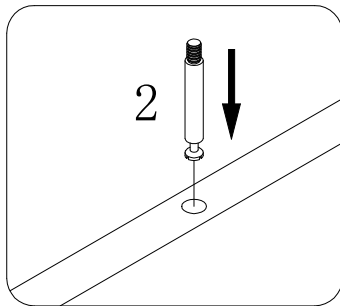


ASSEMBLY INSTRUCTIONS



- * Required screwdriver & mallet, not included.
- * Before discarding packing materials, please check to make sure that all parts and hardware is present.
- * Two people needed for assembly.
- * Please follow the instructions closely; do not over tighten screws or bolts unless instructed.
- * After a few days from initial assembly, the product may have acclimated to the new environment. Please retighten the hardware.

Guideline For Assembling of Cam Lock(1 & 2)

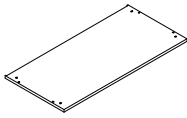
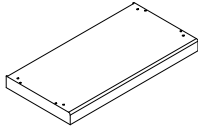
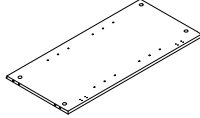
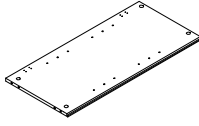
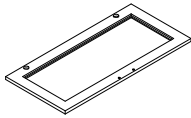
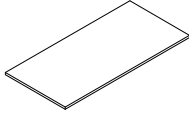
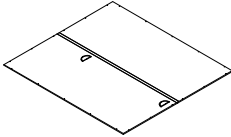


Screw camlock bolt (2) to wood part.



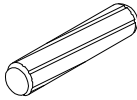
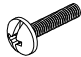
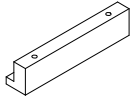

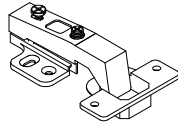
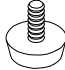
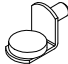

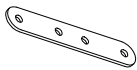
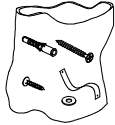
Do not assemble camlock (1) unless instructed.

To assemble camlock (1), ensure long side of the + is facing the bolt (2) before inserting into hole.

PART LIST

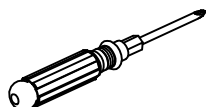
				
<p>Top Panel 1 PC</p>	<p>Bottom Panel 1 PC</p>	<p>Left Panel 1 PC</p>	<p>Right Panel 1 PC</p>	<p>Door 2 PCS</p>
				
<p>Adjustable Shelf 2 PCS</p>	<p>Back Panel 1 PC</p>			

HARDWARE LIST

		 <p>Ø8*30mm</p>	 <p>Ø5/32"*16</p>	
<p>Cam Lock 8 PCS</p>	<p>Cam Bolt 8 PCS</p>	<p>Wood Dowel 8 PCS</p>	<p>Round Head Bolt 4 PCS</p>	<p>Handle 2 PCS</p>
 <p>Ø3*14mm</p>	 <p>Ø25</p>			 <p>Ø3*14mm</p>
<p>Round Head Screw 24 PCS</p>	<p>Hinge 4 PCS</p>	<p>Adjustable Leveler 4 PCS</p>	<p>Shelf Holder 8 PCS</p>	<p>Round Head Screw 28 PCS</p>
				
<p>Connecting Bar 2 PCS</p>	<p>Safety Strap Kit 1 SET</p>			

ADDITIONAL TOOLS (Not Provided)

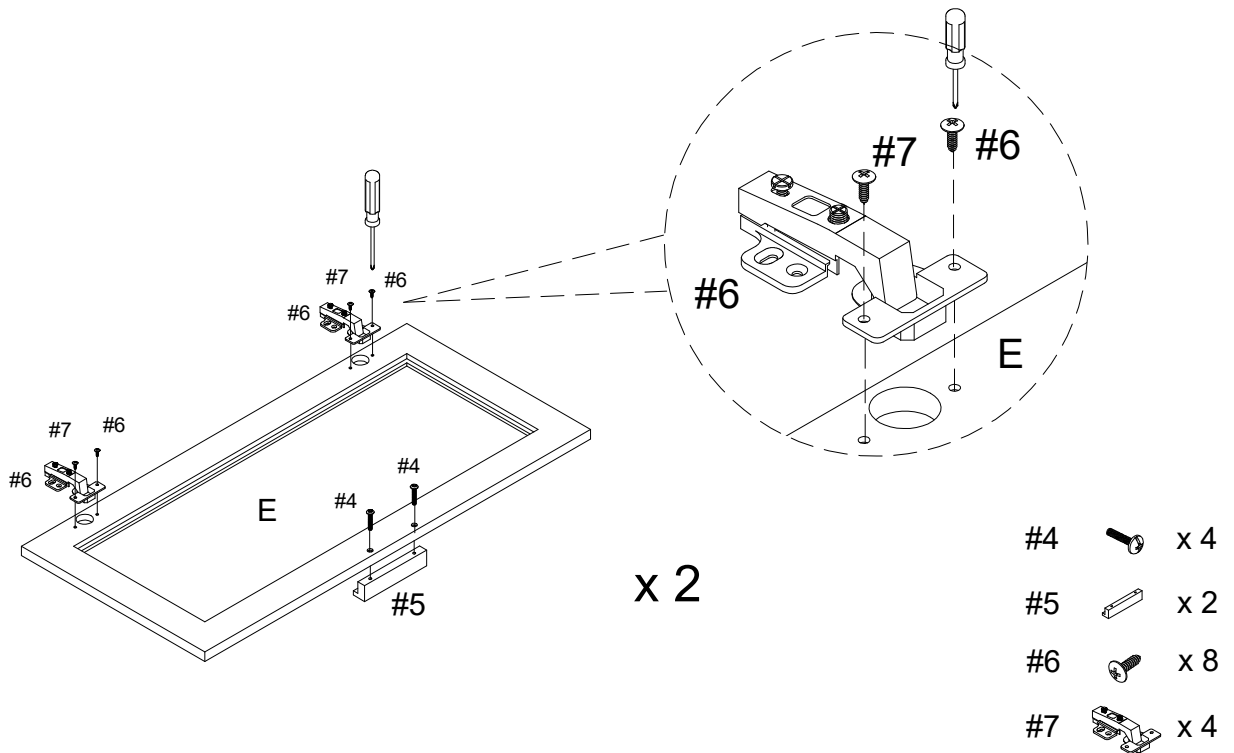
Note: It is not recommended to use power tools during assembly.



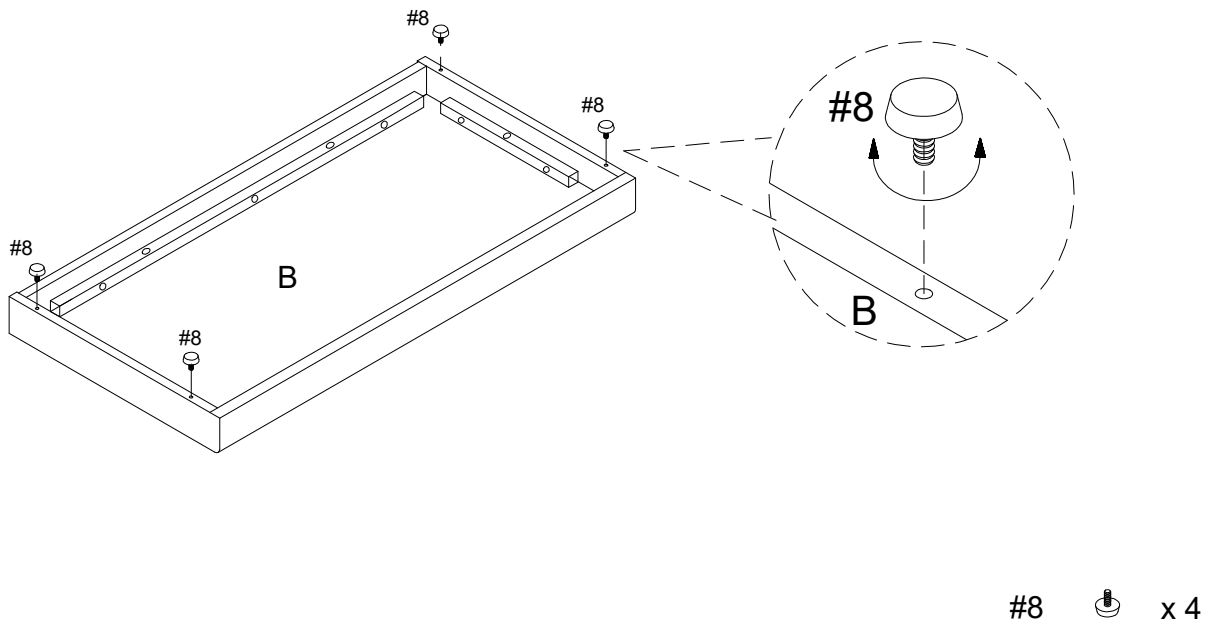
Phillips Head Screwdriver

Note: Wood dowels are intended for alignment. Additional clearance between wood dowel and pre-drilled hole is intentional for ease of assembly.

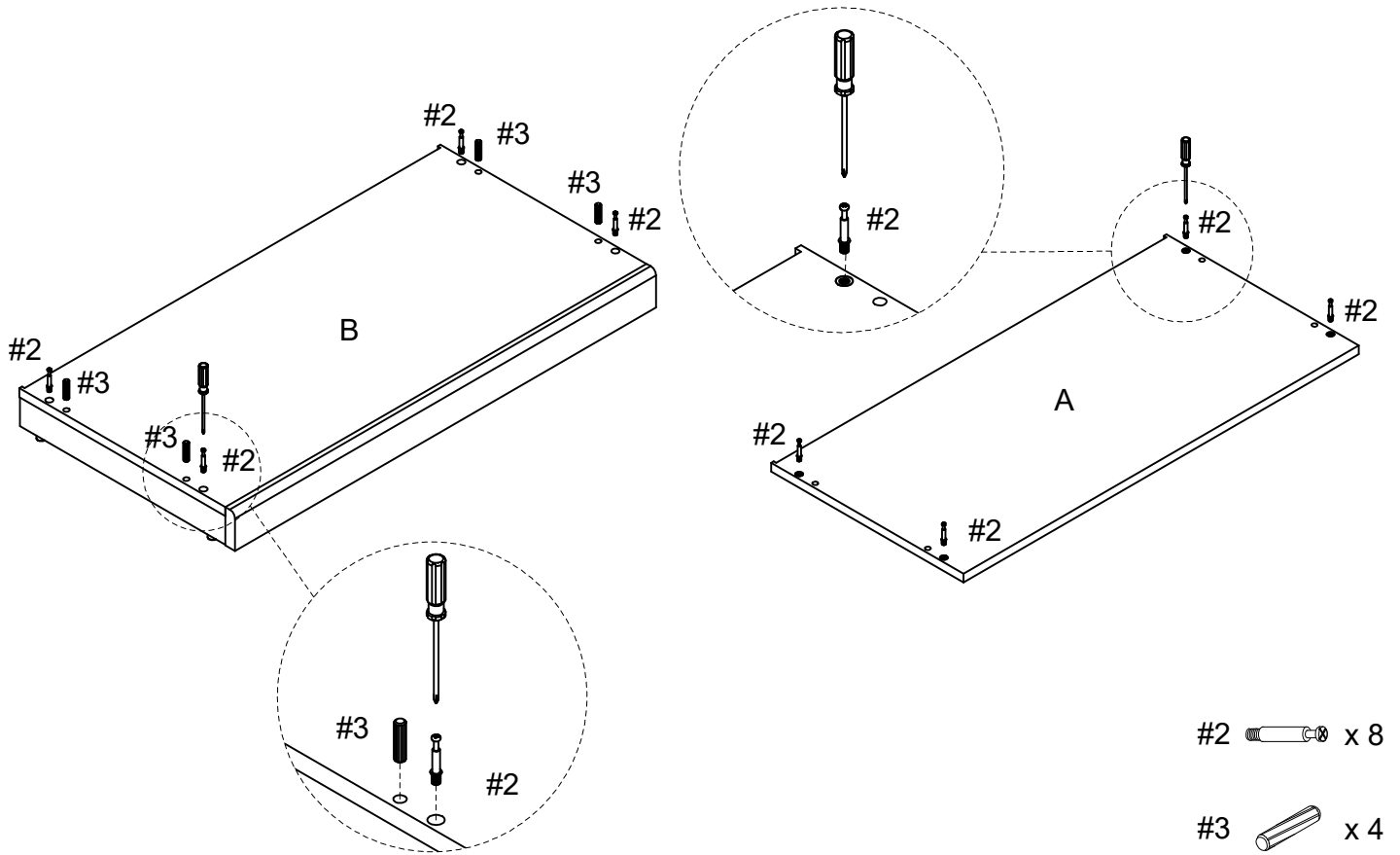
Step 1. Attach hinges (part #7) to doors (part E) using round head screws (part #6) and phillips head screwdriver. Attach handles (part #5) to doors (part E) using round head bolts (part #4) and phillips head screwdriver.



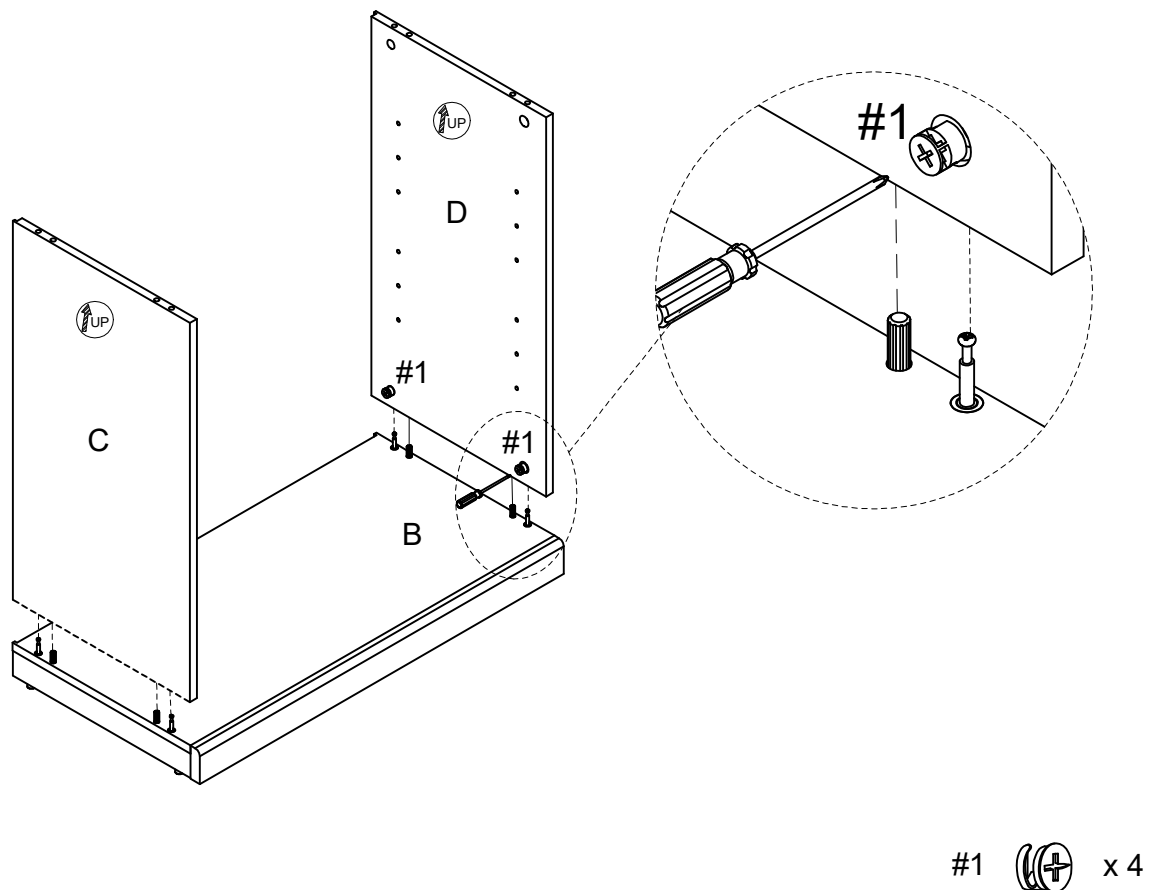
Step 2. There are two installation options for adjustable levelers (part #8).
 When used as a base. Attach adjustable levelers (part #8) to bottom panel (part B).
 When used as a top. Do not attach levelers, proceed to the next step.



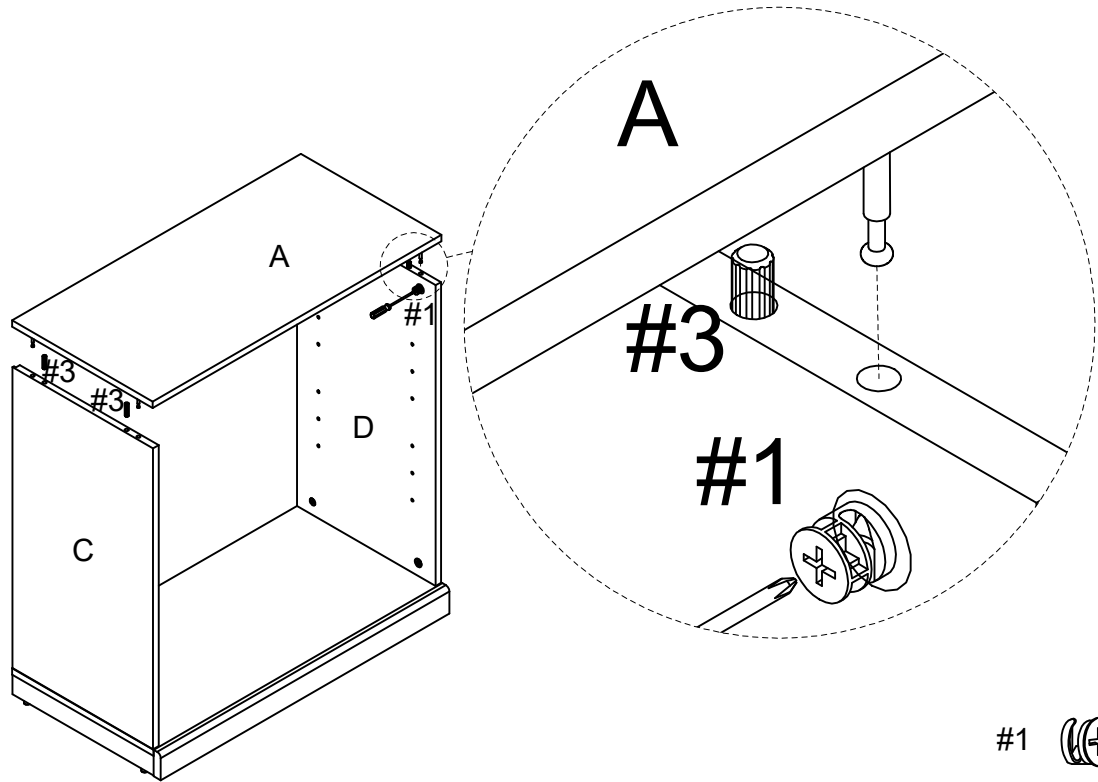
Step 3. Attach bolts (part #2) and wooden dowels (part #3) to bottom panel (part B) and top panel (part A) using phillips head screwdriver.




Step 4. Attach side panels (parts C & D) to bottom panel (part B) using cam locks (part #1) and phillips head screwdriver.



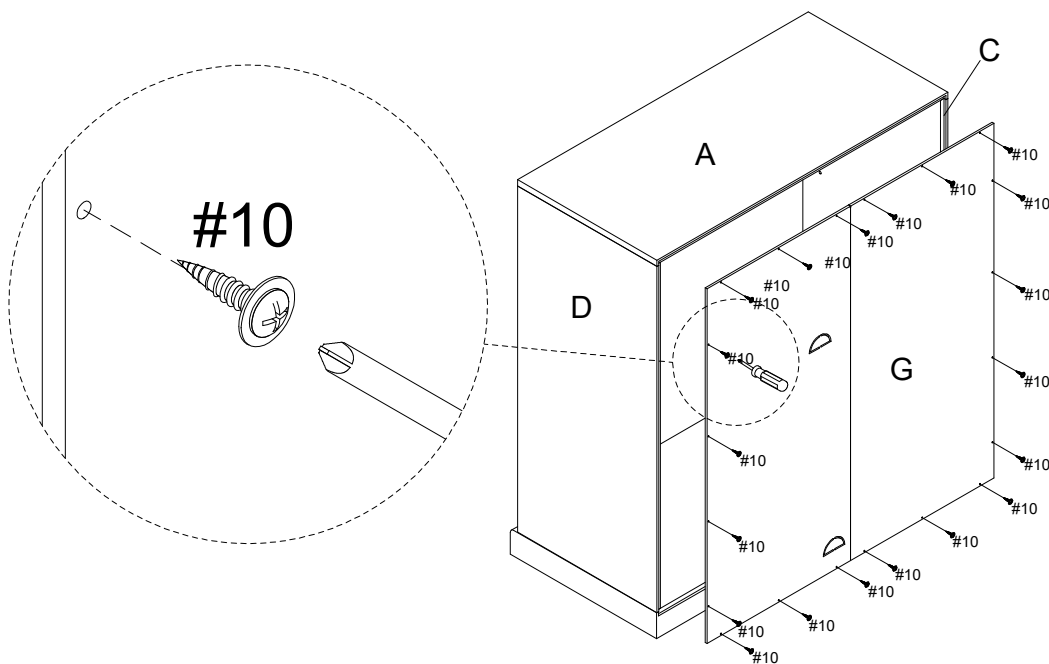
Step 5. Attach top panel (part A) to side panels (parts C & D) using camlocks (part #1), wooden dowels (part #3) and phillips head screwdriver.



#1  x 4

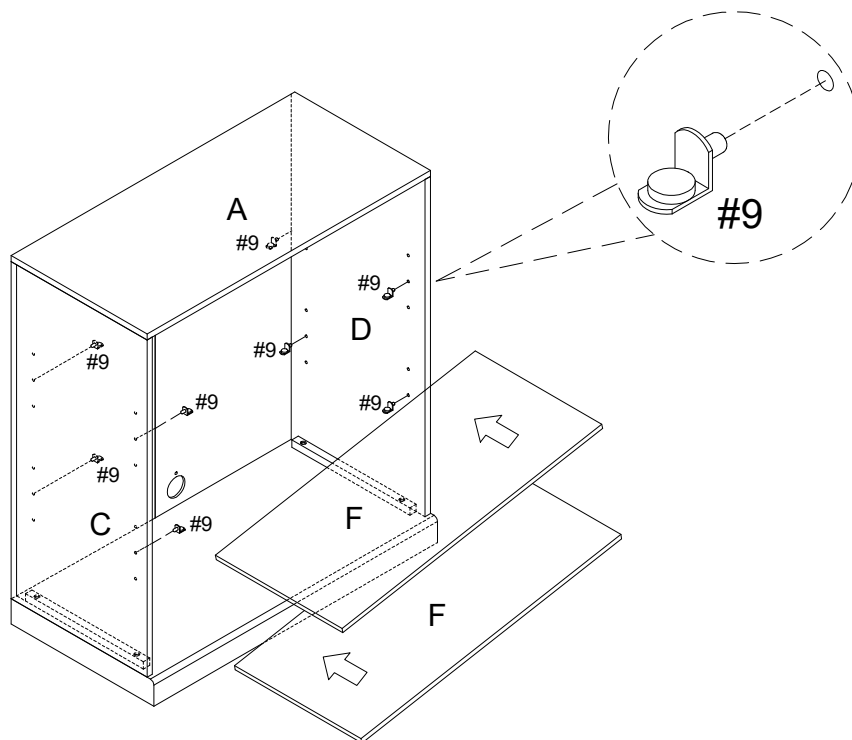
#3  x 4

Step 6. Attach back panel (part G) to assembled units (parts A, B, C & D) using round head screws (part #10) and phillips head screwdriver.



#10  x 20

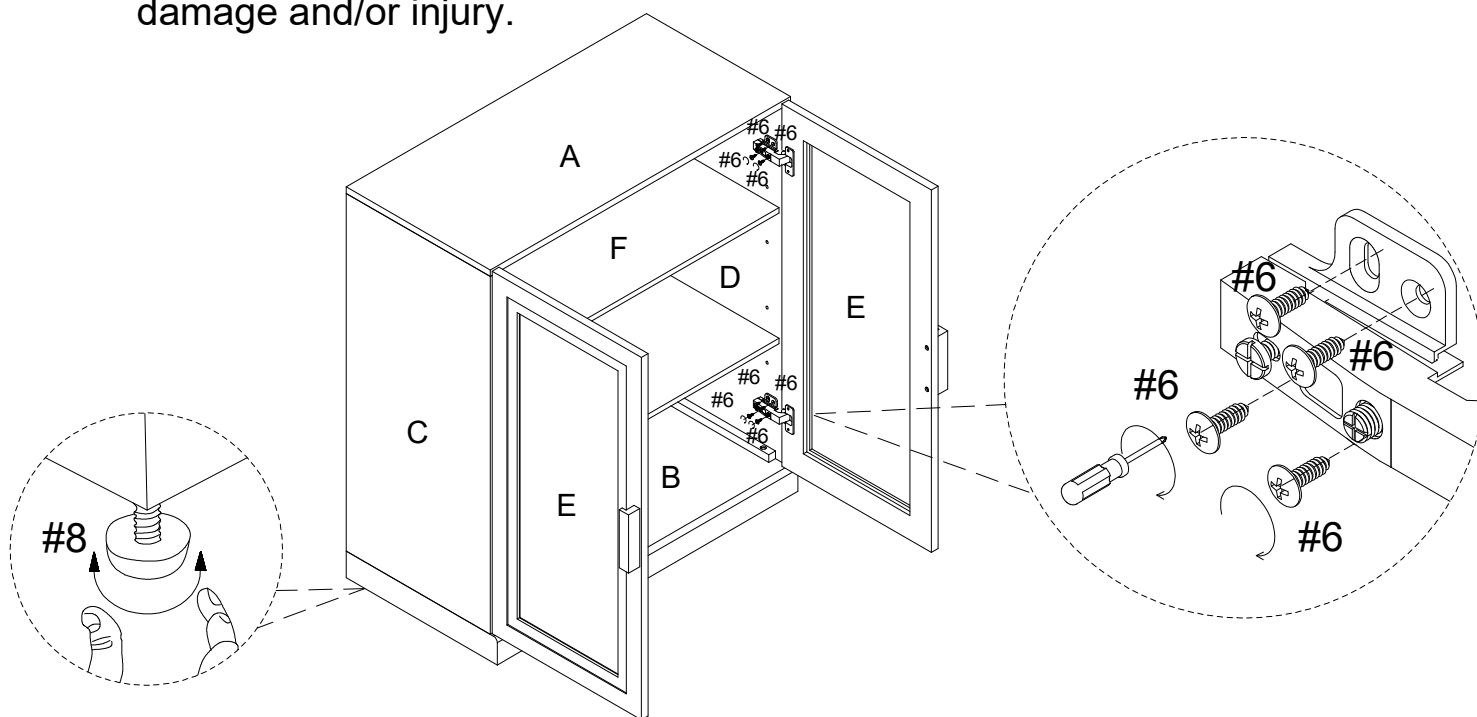
Step 7. Place shelf holders (part #9) into desired position and slide adjustable shelves (part F) into place.



#9  x 8

Step 8. Attach doors (part E) to panels (parts C & D) using round head screws (part #4) and phillips head screwdriver.

Note: It is important to adjust levelers once fully assembled and upright. Extend adjustable leveler until it's firmly in contact with the floor. If relocating, adjust leveler as needed until it's firmly in contact with the floor in new location. Important: Safety strap kit (part #13) must be installed to prevent tipping, damage and/or injury.

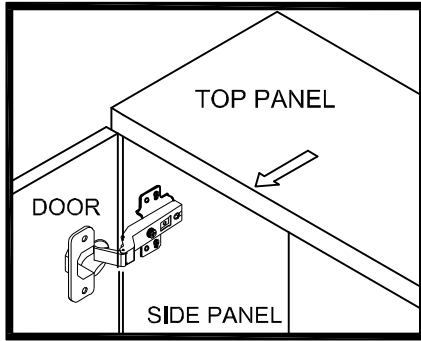


#6  x 16

ADJUST YOUR DOORS TO MAKE THE GAPS MORE EVEN (OPTIONAL).

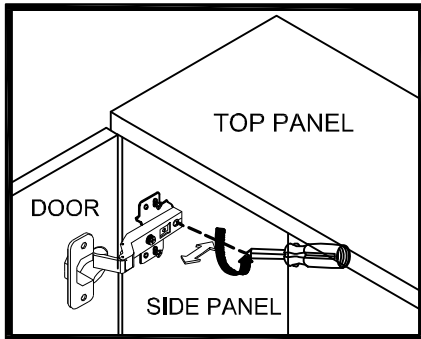
STEP 1

Open the door



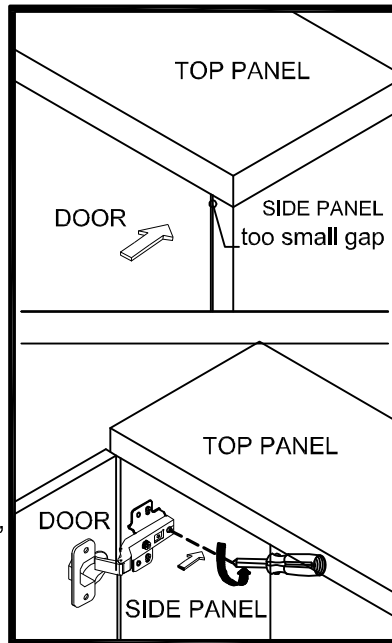
STEP 2

Adjust the gap between door panel and side panel



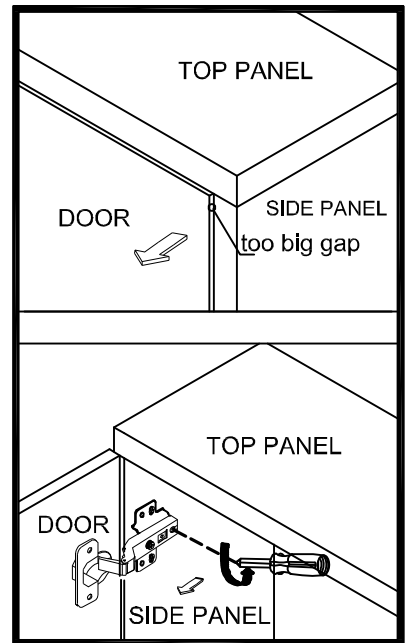
Loosen the screw indicated a little, adjust the hinge to right position (see step 2a & 2b), then tighten the screw.

STEP 2a MOVE DOOR IN



Push the hinge back a little.

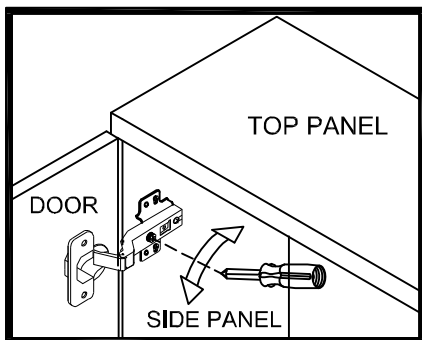
STEP 2b MOVE DOOR OUT



Pull the hinge forward a little.

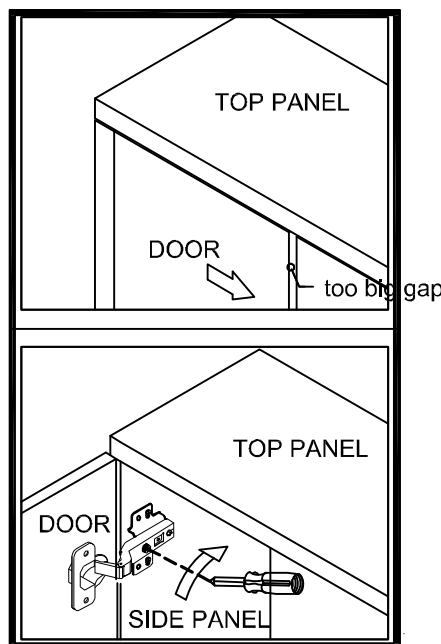
STEP 3

To adjust the gap between two door



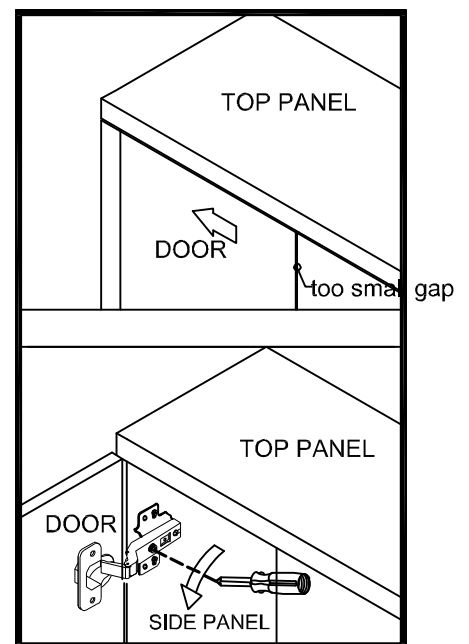
Loosen or tighten the screw indicated a little to adjust the gap between doors panels (see step 3a & step 3b)

STEP 3a MOVE DOOR RIGHT









Turn the screw clockwise a little as shown to make the gap small.

STEP 3b MOVE DOOR LEFT



Turn the screw counterclockwise a little as shown to make the gap big.

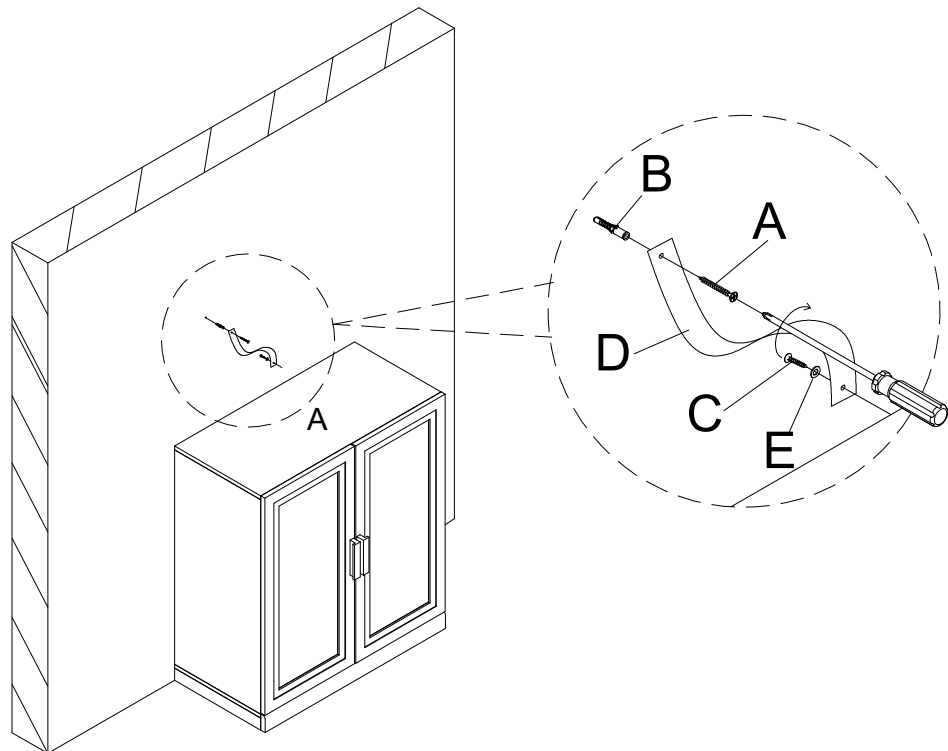
#12	A	B	C	D	E
	 1-1/2"xØ4xD8		 5/8"xØ3xD8		
Safety Strap Kit 1 SET	Long Screw 1 PC	Wall Anchor 1 PC	Short Screw 1 PC	Safety Wall Strap 1 PC	Flat Washer 1 PC

SAFETY WALL STRAP INSTALLATION

Note: It is highly recommended to install this safety strap kit to prevent tipping, damage and/or injury

1. Insert short screw (C) through flat washer (E) and safety wall strap (D) and attach to top panel (part A) using phillips head screwdriver.
2. Drill a 11/32" hole where you want to secure the unit. The drilled hole will be at the same height as the hole in top panel (part A) where safety wall strap (D) is attached. Tap wall anchor (B) into the hole.
3. Insert long screw (A) through safety wall strap (D) into wall anchor (B) using phillips head screwdriver.

Note: This item is not intended for clothing storage use.



⚠ WARNING	
	Children have died from furniture tipover. To reduce the risk of furniture tipover:
	<ul style="list-style-type: none"> • ALWAYS install tipover restraint provided. • NEVER put a TV on this product. • NEVER allow children to stand, climb or hang on drawers, doors, or shelves. • NEVER open more than one drawer at a time. • Place heaviest items in the lowest drawers.
<i>This is a permanent label. Do not remove!</i>	