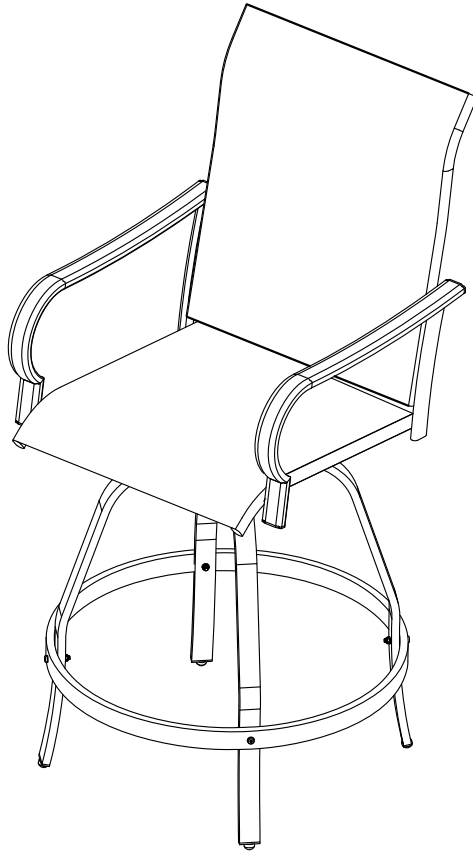


Outdoor Bar Chair



Thank you for shopping with us!

If any parts is missing, broken upon receipt or you need any help from us. For the FASTEST solutions, please **FIRSTLY CONTACT US** at our after-sales email.

IMPORTANT/WICHTIG/ATENCIÓN

IMPORTANT/IMPORTANTE



EN - We recommend **1** or more people to install.
DE - Wir empfehlen, dass die Montage von **1** oder mehreren Personen durchgeführt werden sollte.
ES - Recomendamos realizar el ensamble con **1** o más personas.
FR - Il est recommandé d'effectuer le montage à **1** personne(s) ou plus.
IT - È necessaria la presenza di **1** o più persone per il montaggio di questo prodotto.



EN - The expected assembly time is **1 h**.
DE - Die Montagezeit beträgt durchschnittlich **1 h**.
ES - El tiempo aproximado de ensamble es de **1 h**.
FR - Le temps nécessaire est estimé à **1 h**.
IT - Il tempo previsto per il corretto assemblaggio è di **1 h**.



EN - Not intended for use by children.
DE - Nicht geeignet für Kinder.
ES - Producto no apto para niños.
FR - Produit non destiné à être utilisé par des enfants.
IT - Questo prodotto non è destinato all'uso da parte dei bambini.

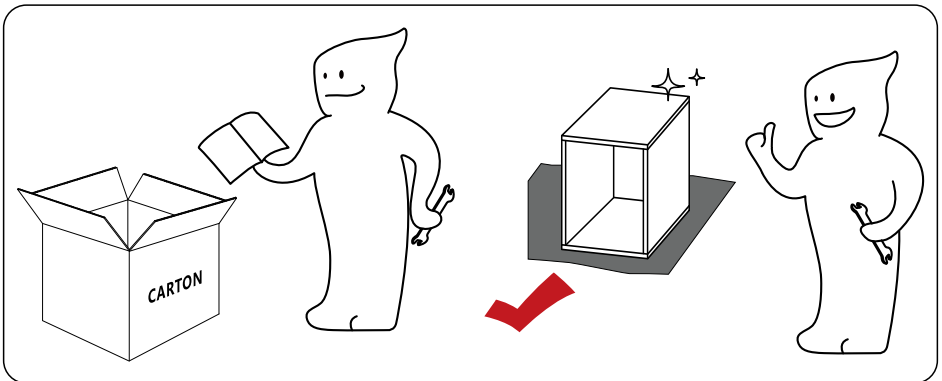
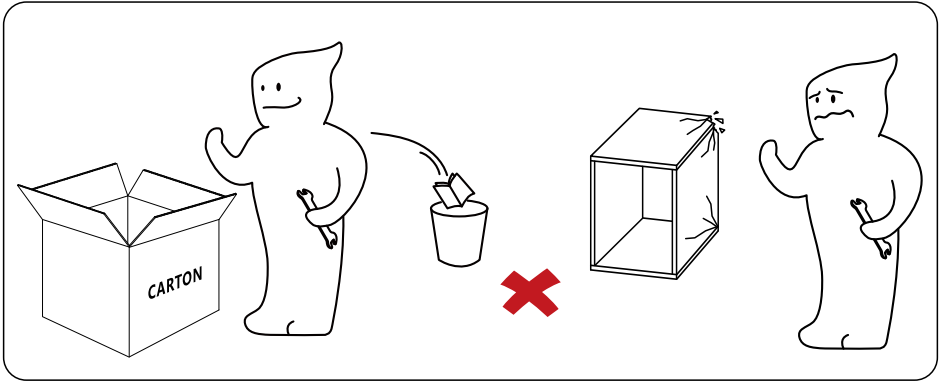


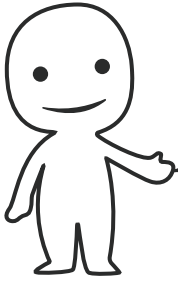
EN - Keep away from fire or other heat sources.
DE - Bitte von Feuer und Hitzequellen fernhalten.
ES - Manténgase alejado de las llamas y otras fuentes de calor.
FR - Tenir à distance des flammes et autres sources de chaleur.
IT - Tenere lontano dal fuoco o da altre fonti di calore.



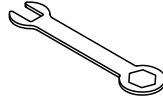
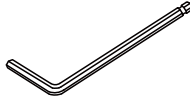
EN - We recommend wearing protective gloves.
DE - Wir empfehlen das Tragen von Schutzhandschuhen.
ES - Recomendamos el uso de guantes de seguridad.
FR - Il est recommandé de porter des gants de protection.
IT - Per il processo di assemblaggio, consigliamo fortemente l'utilizzo di guanti protettivi.

- EN** - Please follow the instruction manuals and use a pad to avoid damage during assembly.
- DE** - Bitte folgen Sie der Anleitung und verwenden Sie eine Unterlage, um Beschädigungen bei der Montage zu vermeiden.
- ES** - Por favor, siga las instrucciones del manual y utilice una cubierta o lona para proteger el producto y el suelo durante la instalación.
- FR** - Suivez les instructions de la notice et utilisez une couverture ou une bâche pour protéger le produit et les sols pendant le montage.
- IT** - Si prega di consultare il manuale illustrativo durante il montaggio e di utilizzare un cuscinetto per evitare possibili danni.





Please prepare the following tools



When installing, please carefully confirm whether each screw corresponds to the manual, accessories with similar shapes can be distinguished by size

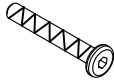
Hardware List

① x 16+1



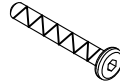
M6 x 25 mm

② x 8+1



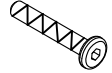
M6 x 35 mm

③ x 8+1



M6 x 40 mm

④ x 16+1



M6 x 30 mm

⑤ x 24+1



⑥ x 72+4



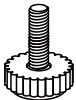
⑦ x 24



⑧ x 8



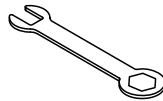
⑨ x 8



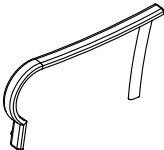
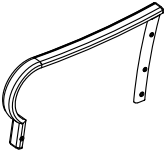
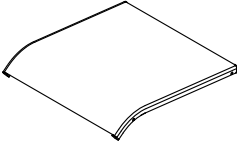
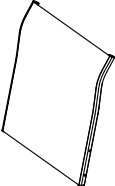
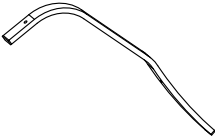
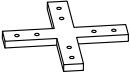
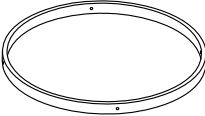

⑩ x 1



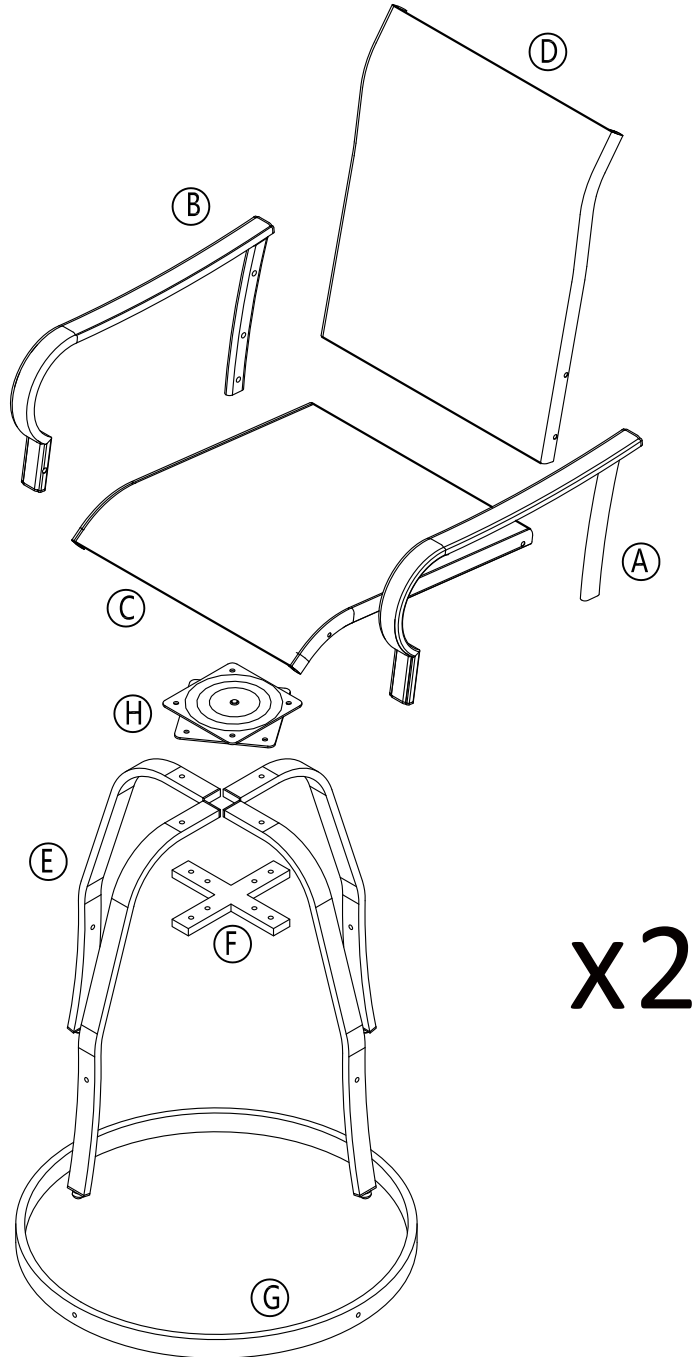
⑪ x 1



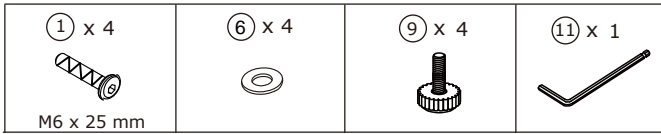
Parts List

			
(A) LEFT 2PCS	(B) RIGHT 2PCS	(C) SEAT 2PCS	(D) BACK 2PCS
			
(E) LEG 8PCS	(F) FASTENING 2PCS	(G) FIXED RING 2PCS	(H) TURNPLATE 2PCS

EXPLODED VIEW

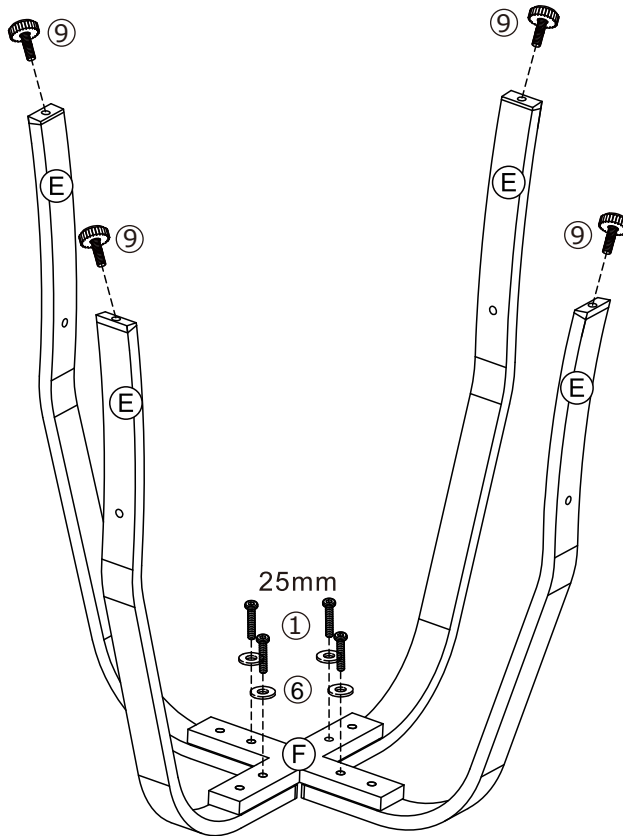


STEP 1



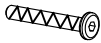


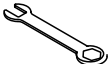

Fix part E with part F with four M6x25mm Screws (1) and Flat Washers (6). Use Allen key (11).

DO NOT FULLY TIGHTEN.



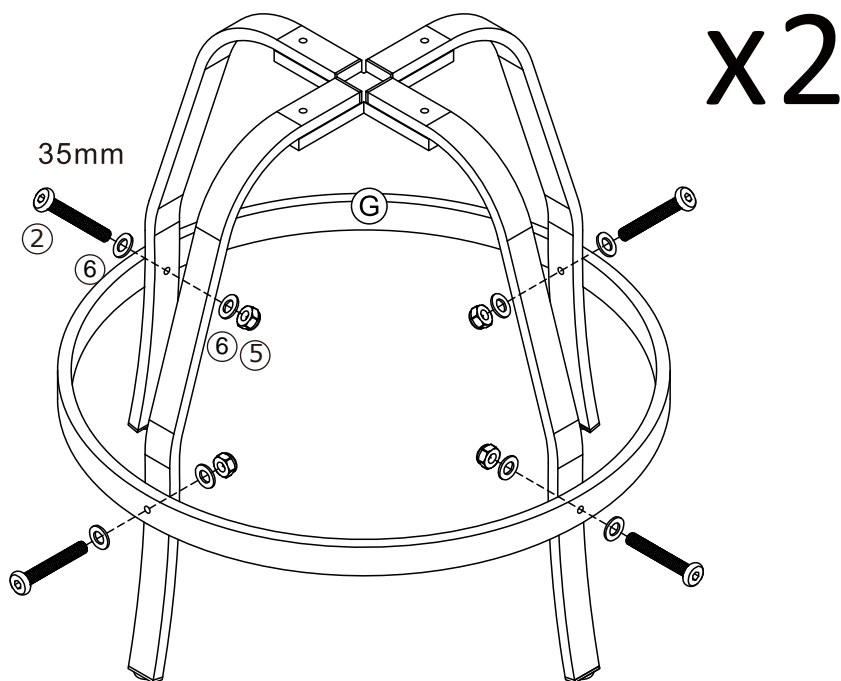
Screw on the part F with four Adjusting Screws (9).

STEP 2

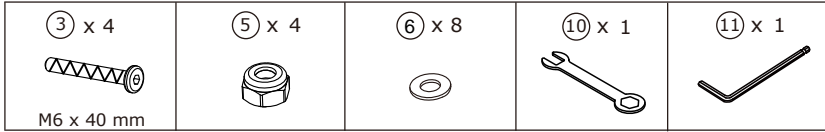
<p>② x 4</p>  <p>M6 x 35 mm</p>	<p>⑤ x 4</p> 	<p>⑥ x 8</p> 	<p>⑩ x 1</p> 	<p>⑪ x 1</p> 
---	--	--	--	--

Fix part E with part G with four M6x35mm Screws (2) and Flat Washers (6) and nut (5). Use Allen key (11) and Wrench (10).

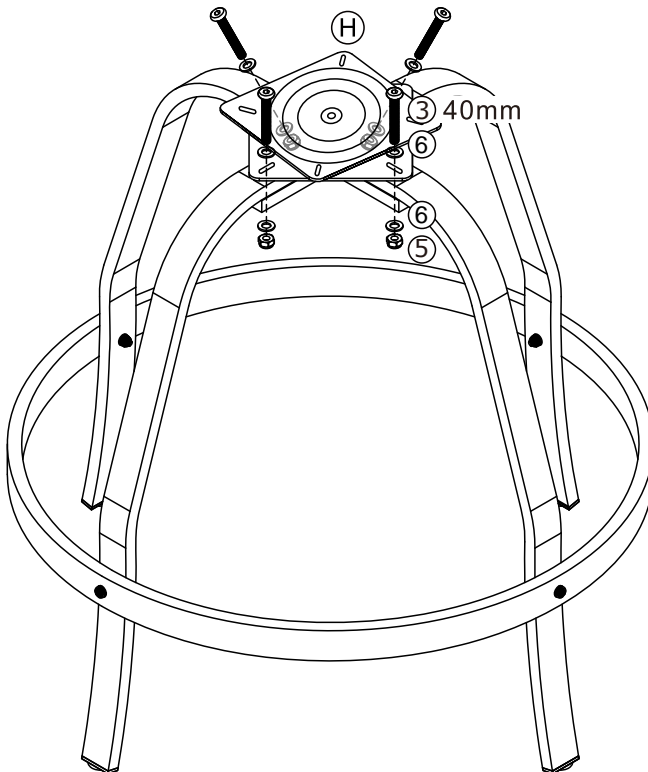
DO NOT FULLY TIGHTEN.



STEP 3





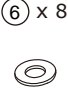
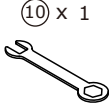
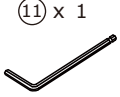
Fix part E and part F with part H with four M6x40mm Screws (3) and Flat Washers (6) and nut (5). Use Allen key (11) and Wrench (10).



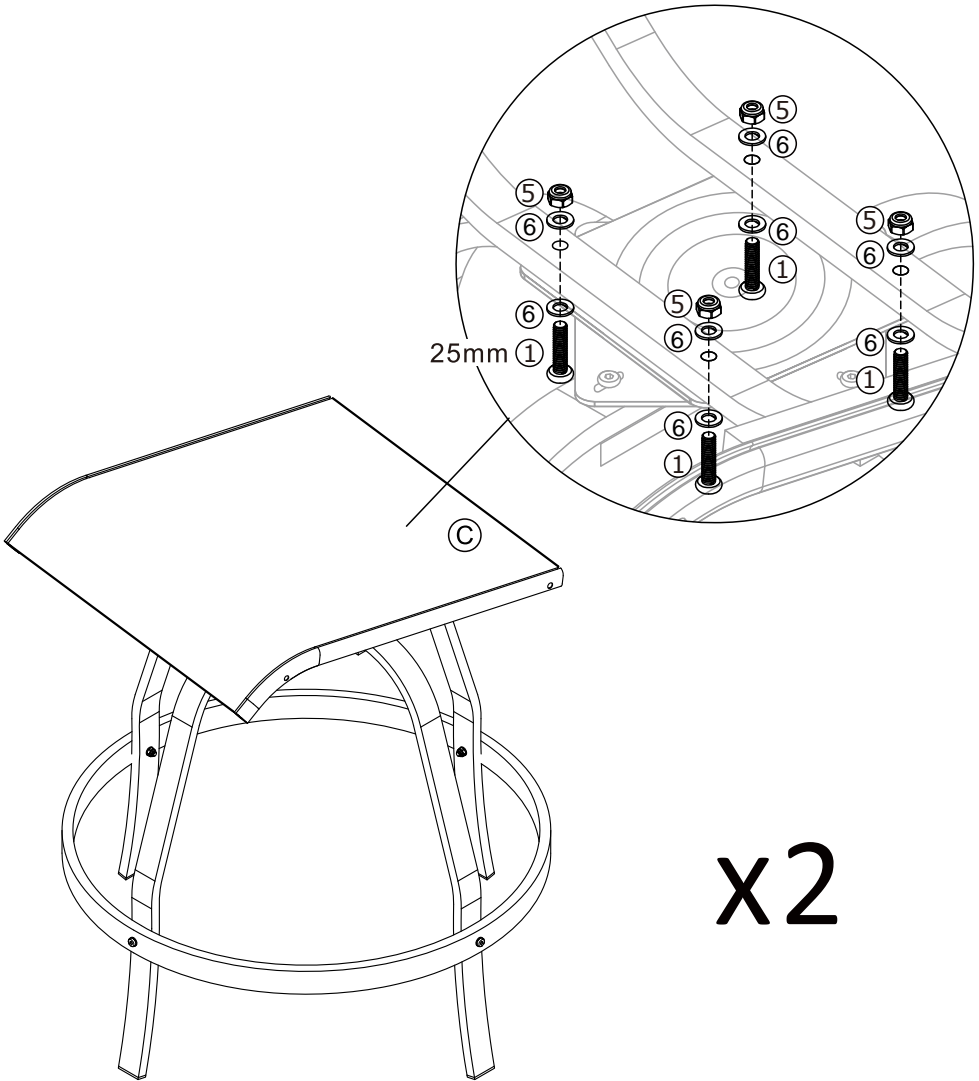
x2

**Adjust alignments and NOW
TIGHTEN ALL SCREWS with wrench (10)
with Allen key (11).**




STEP 4

 M6 x 25 mm				
--	---	---	---	---

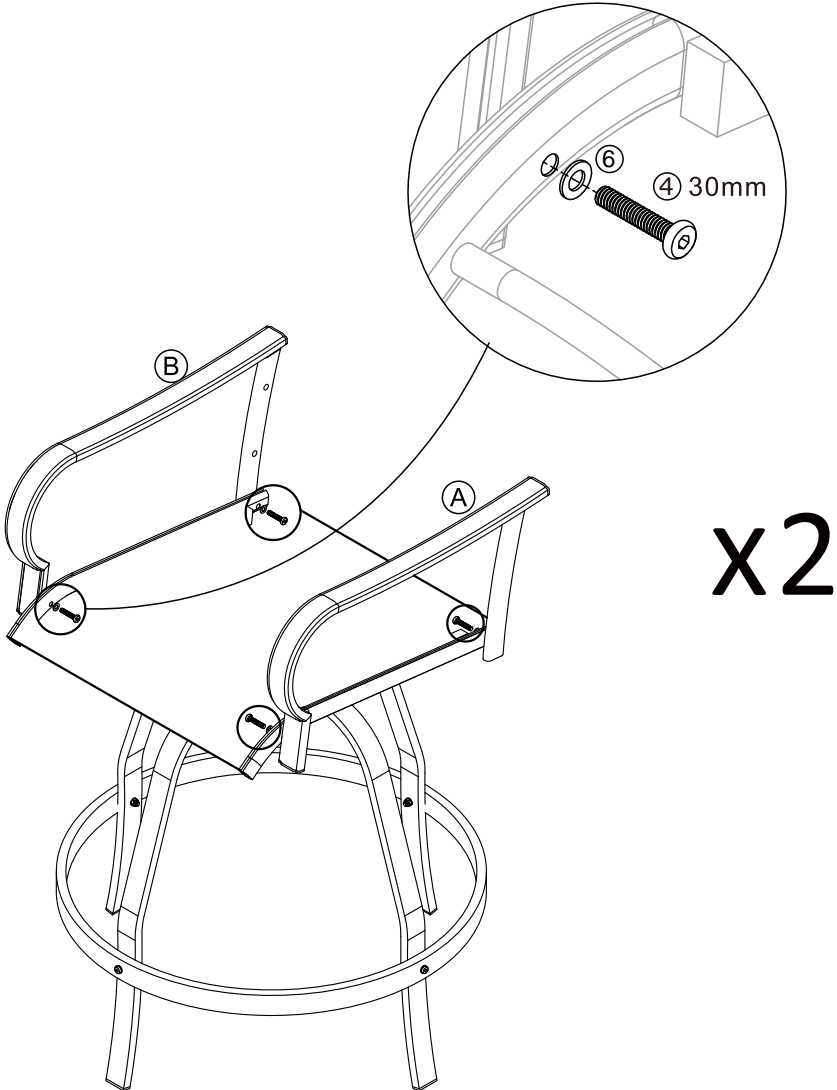
Fix part C with part H with four M6x25mm Screws (1) and Flat Washers (6) and nut (5). Use Allen key (11) and Wrench (10).



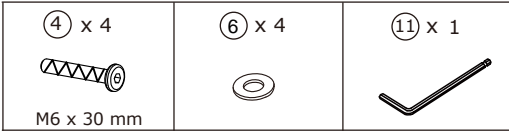
STEP 5

<p>④ x 4</p>  <p>M6 x 30 mm</p>	<p>⑥ x 4</p> 	<p>⑪ x 1</p> 
---	--	--

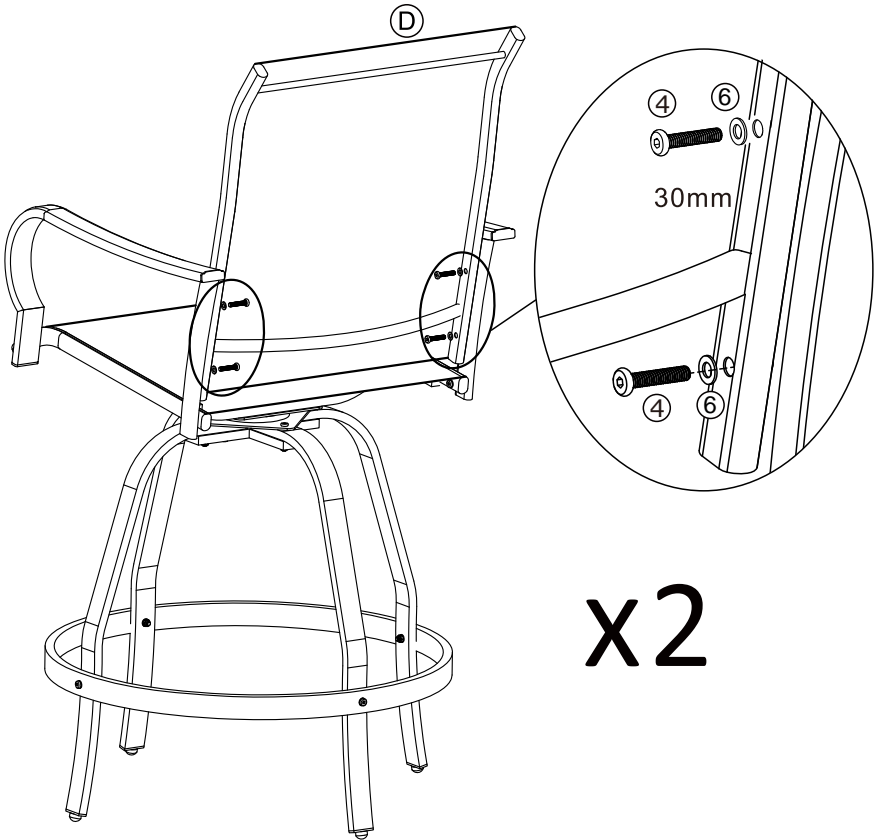
Fix part C with part A and B with four M6x30mm Screws (4) and Flat Washers (6). Use Allen key (11).



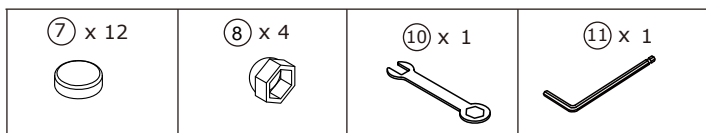
STEP 6



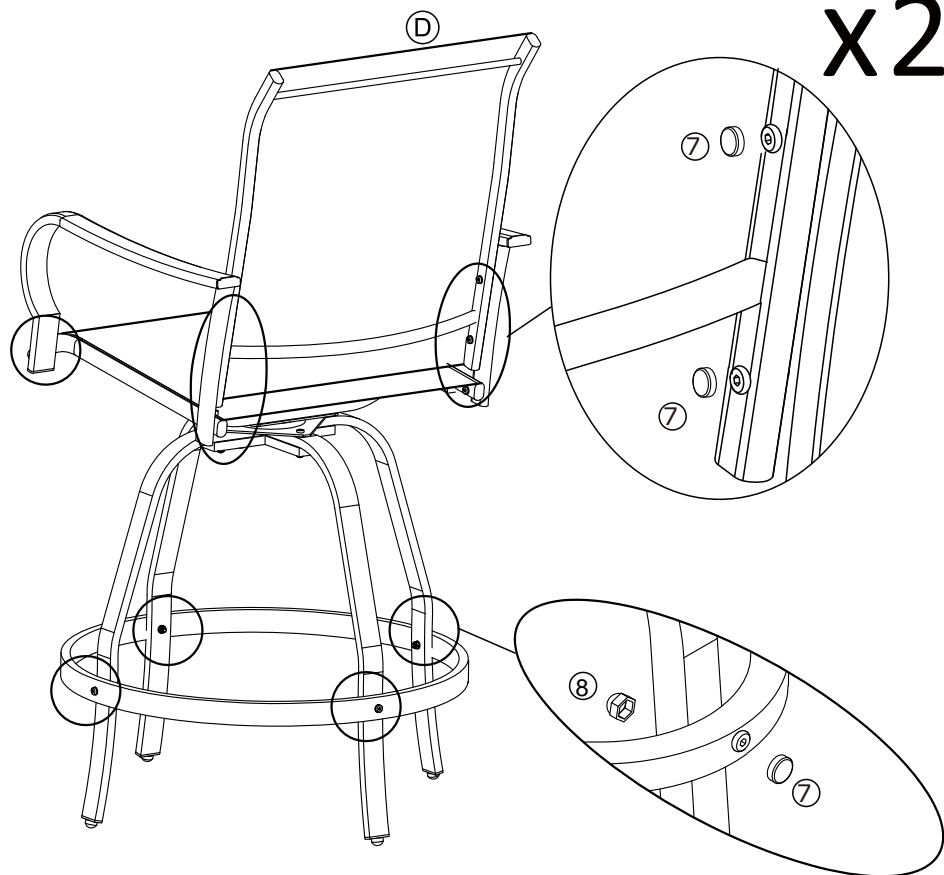
Fix part D with part A and B with four M6x30mm Screws (4) and Flat Washers (6). Use Allen key (11).



STEP 7

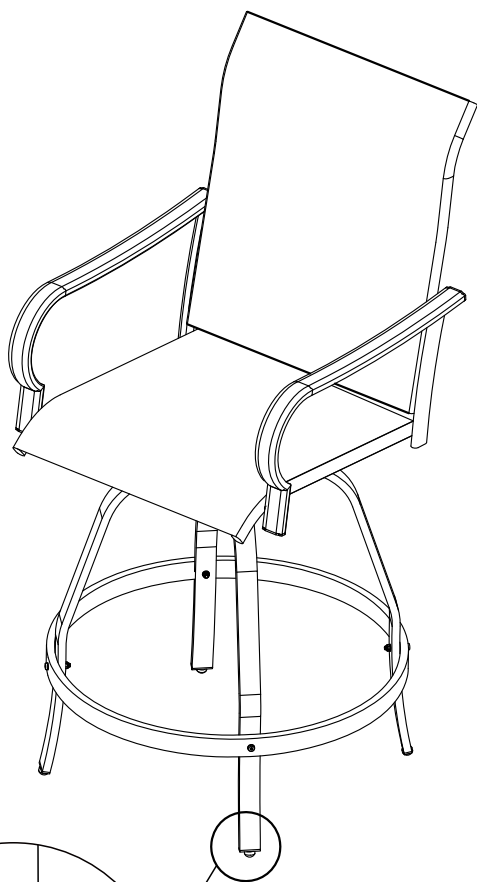


Install (7) and (8) on all screws.

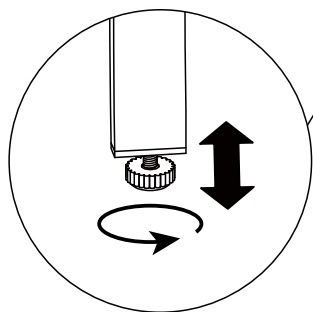


**Adjust alignments and NOW
TIGHTEN ALL SCREWS with wrench (10)
with Allen key (11).**

STEP 8



x2



Assembly Finished