
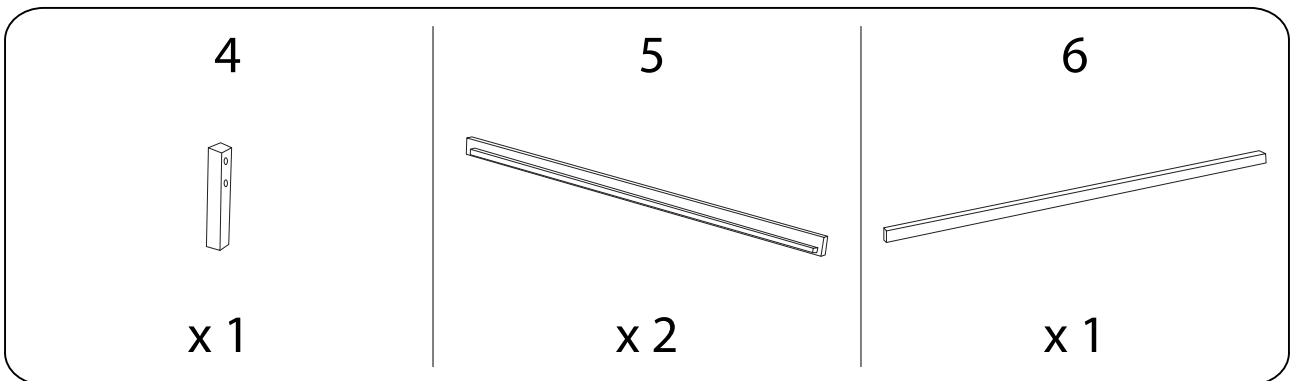
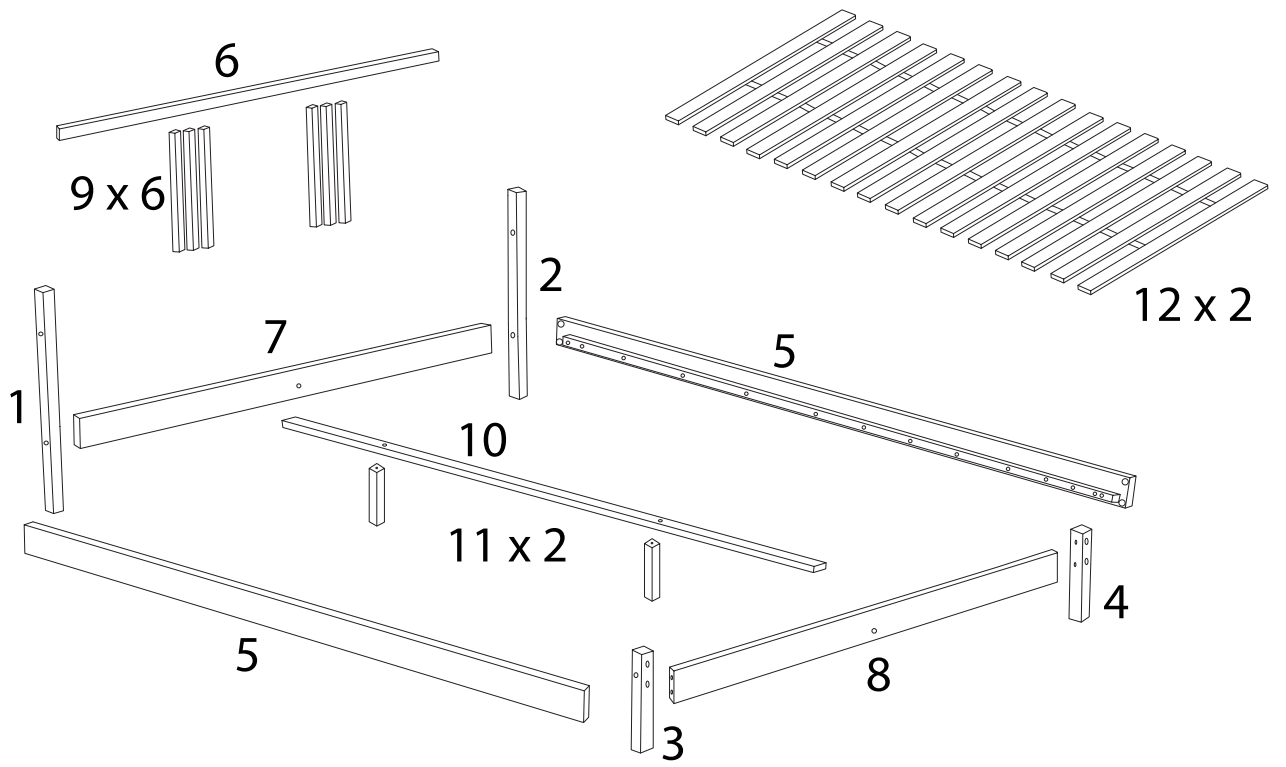
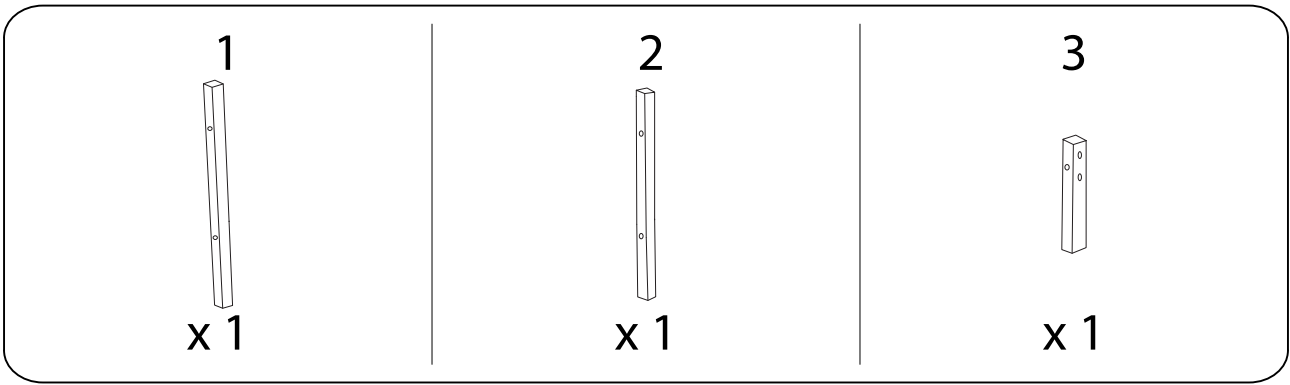
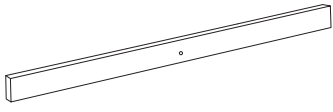
	<p>60'</p>
		
		<p>2</p>

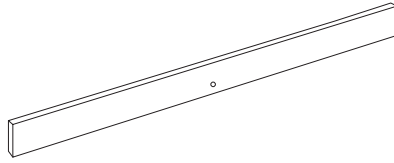


7



x 1

8



x 1

9



x 6

10



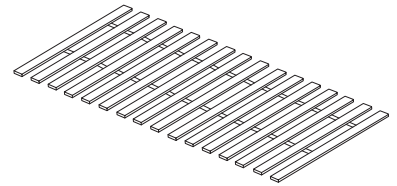
x 1

11



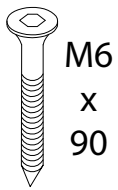
x 2

12



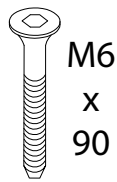
x 2

A



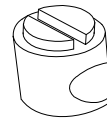
x 2

B



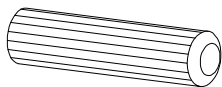
x 12

C



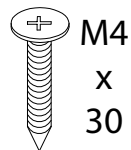
x 12

D



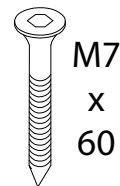
x 18

E



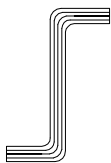
x 60

F



x 4

G



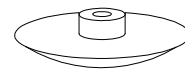
x 1

H



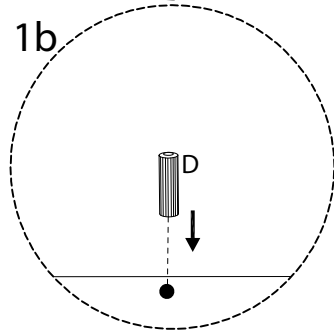
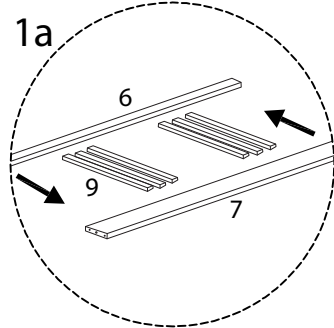
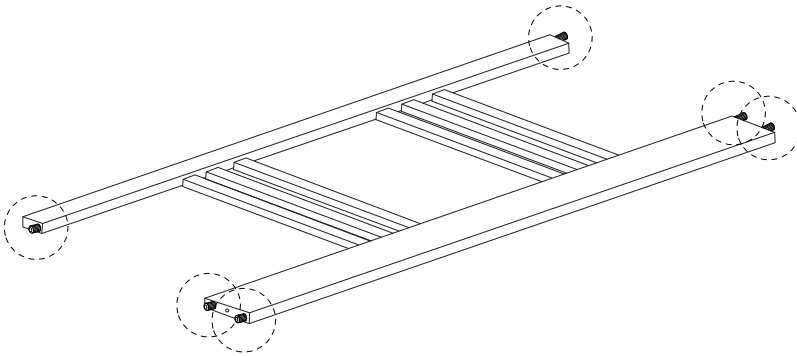
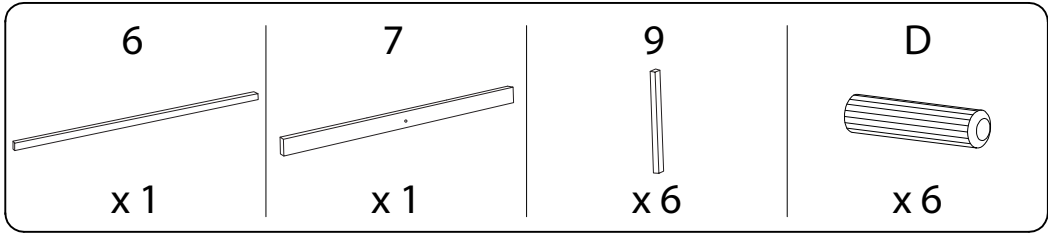
x 14

J

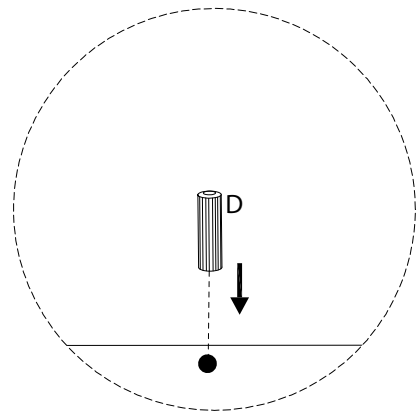
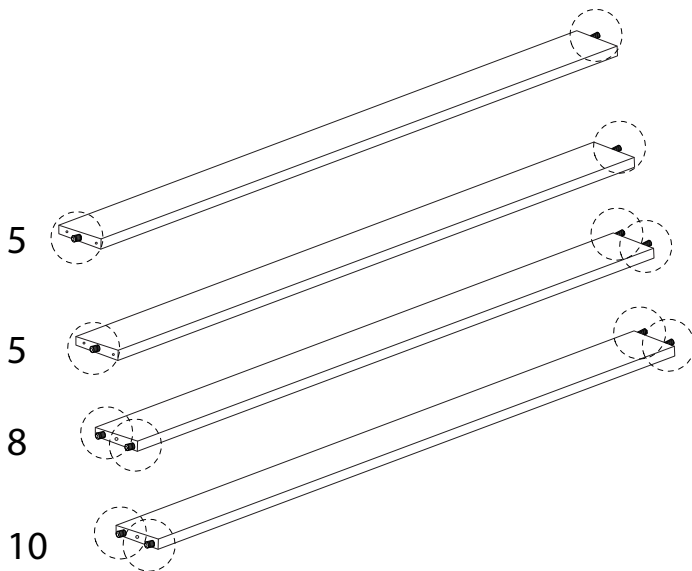
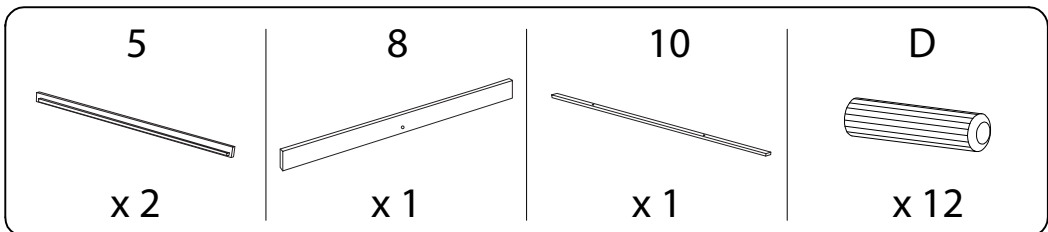


x 2

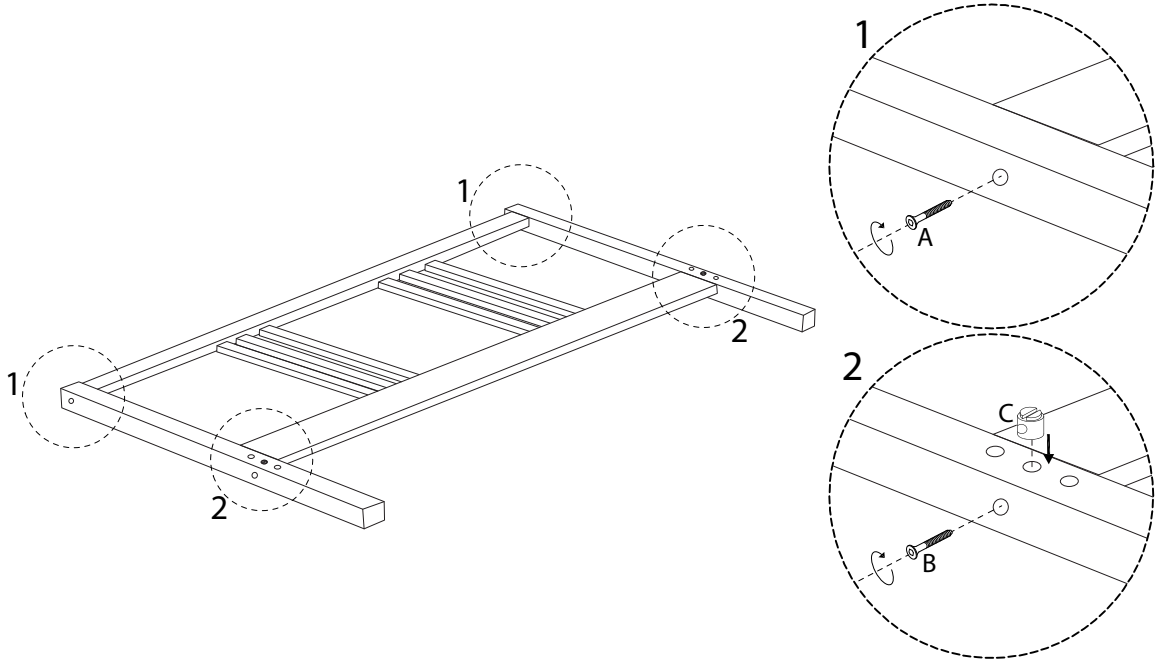
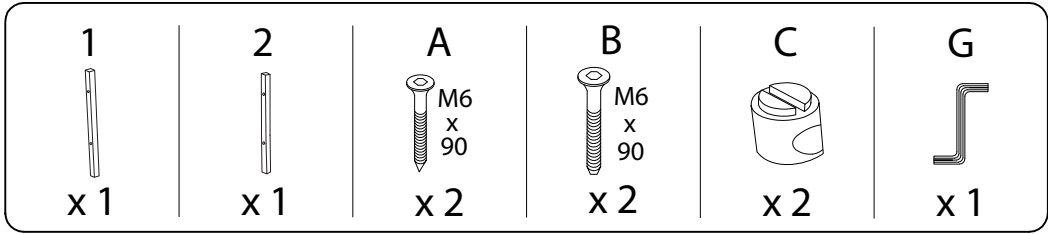
1



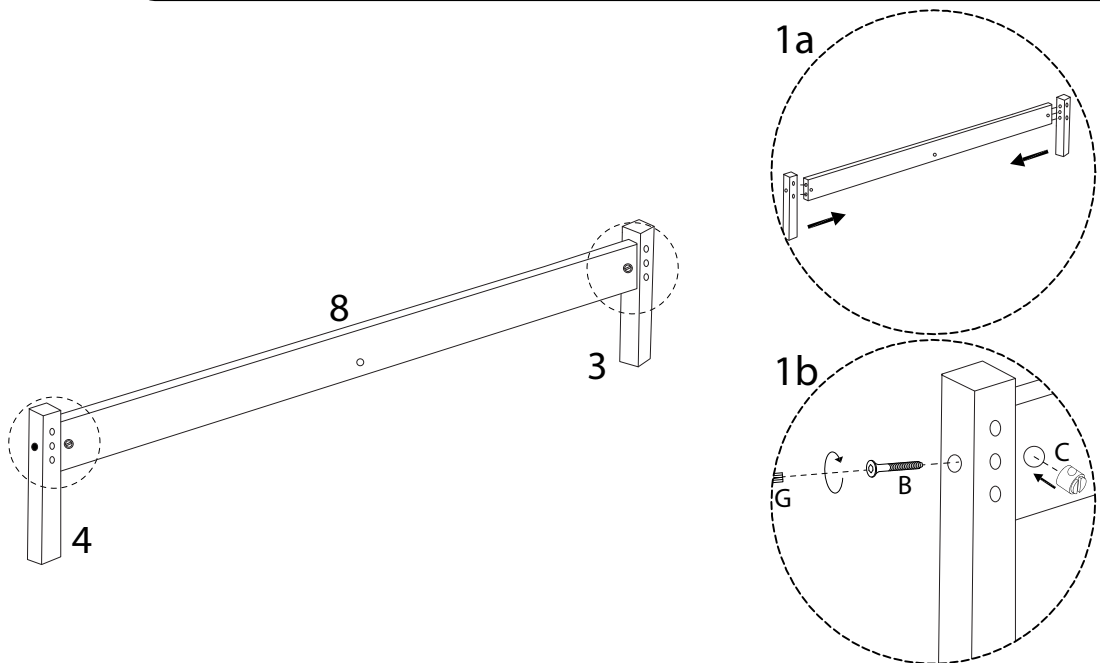
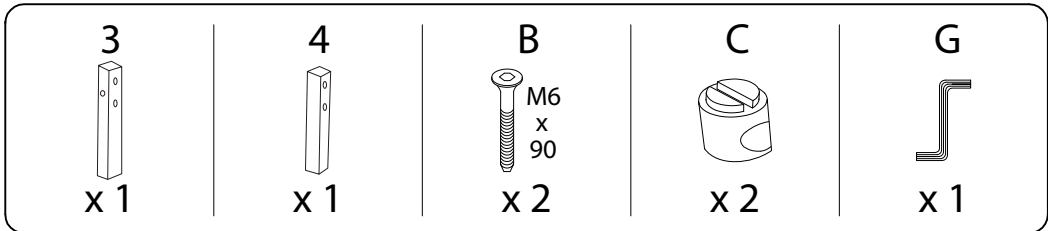
2



3

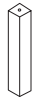


4



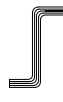
5

11



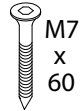
x 2

G

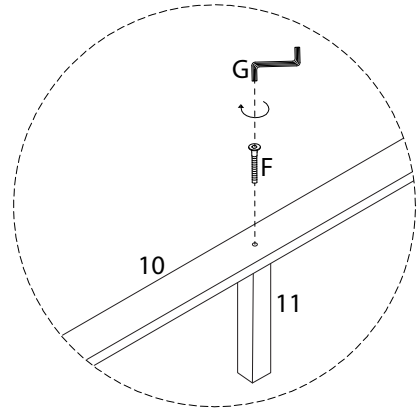
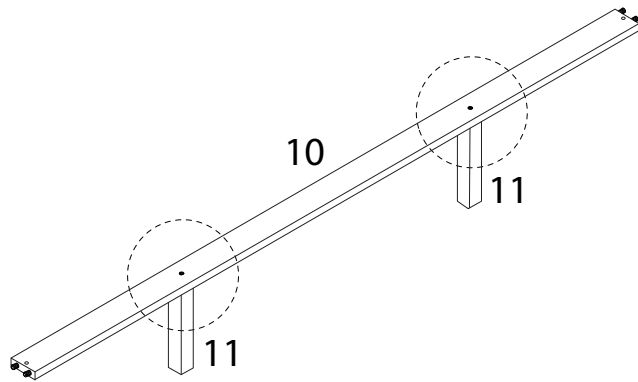


x 1

F

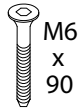


x 2



6

B



x 8

C

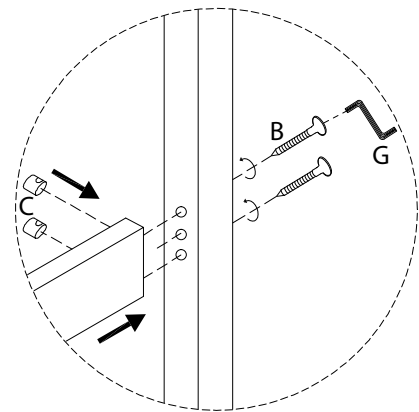
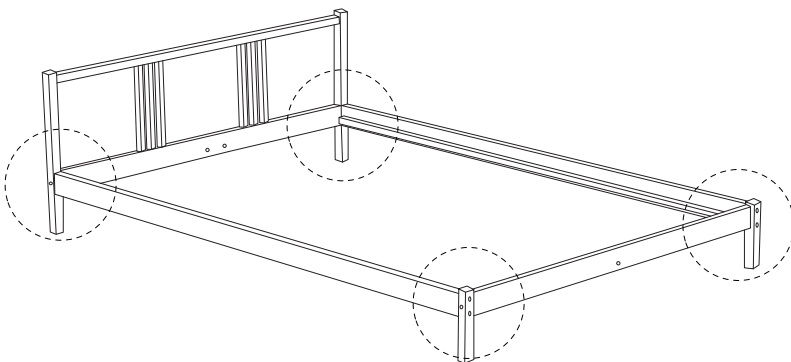


x 8

G



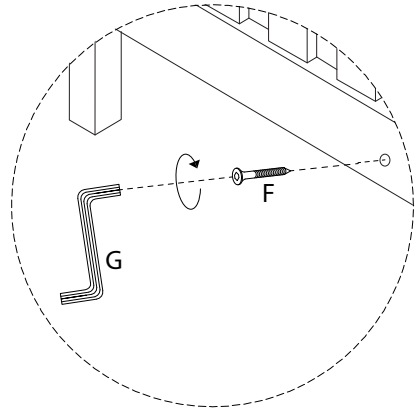
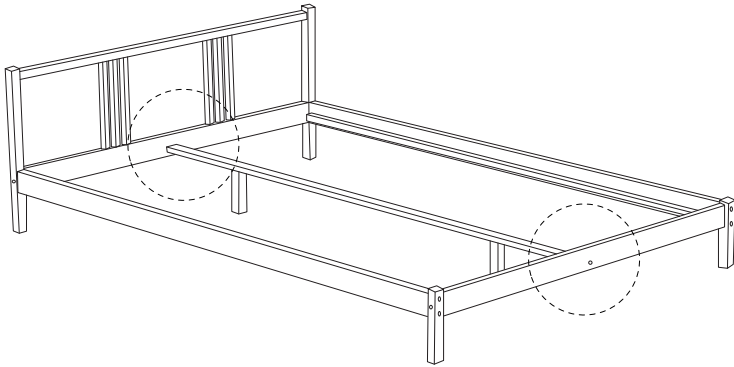
x 1



7

F  
M7  
x  
60  
x 2

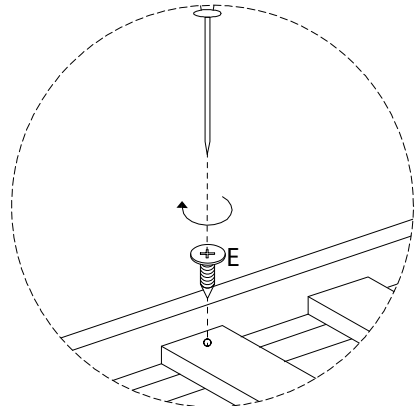
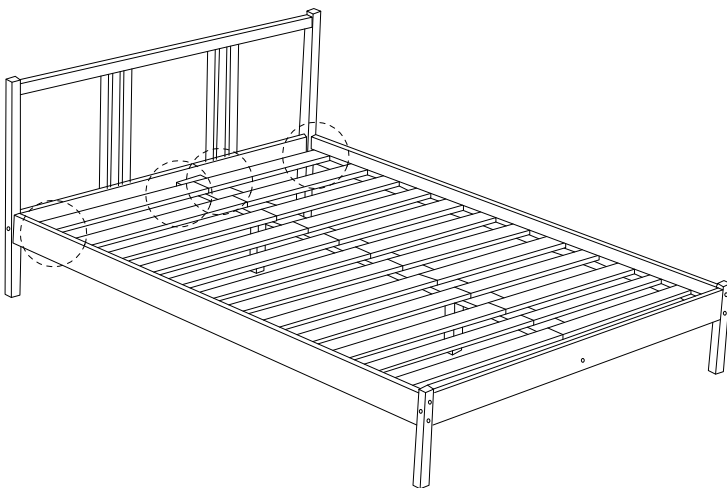
G  
x 1



8

12  
x 2

E  
M4  
x  
30  
x 60

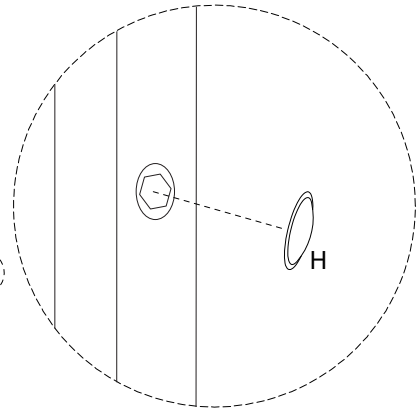
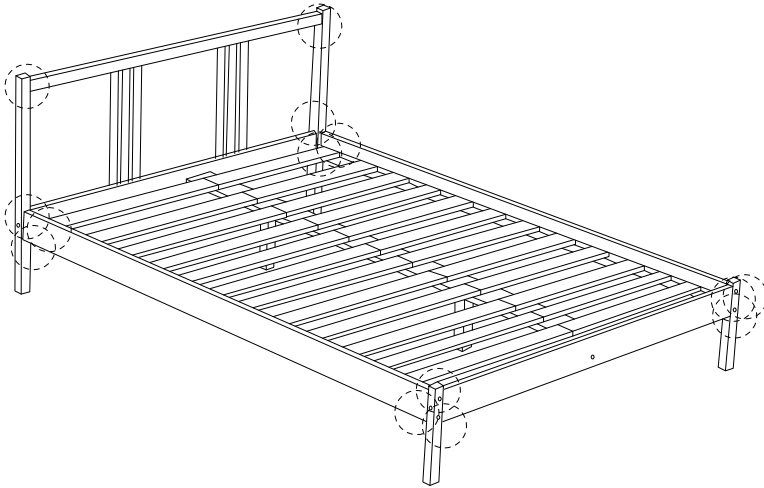


9

H

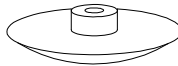


x 14



10

J



x 2

