

# BOCCHI®

## INSTALLATION INSTRUCTIONS

### DUAL-MOUNT KITCHEN SINKS

#### Models:

##### SOTTO

- 1358-XXX-0120
- 1359-XXX-0120
- 1360-XXX-0120
- 1361-XXX-0120
- 1362-XXX-0120
- 1627-XXX-0120

##### BAVENO

- 1633-XXX-0127
- 1633-XXX-0132
- 1695-XXX-0127
- 1695-XXX-0132



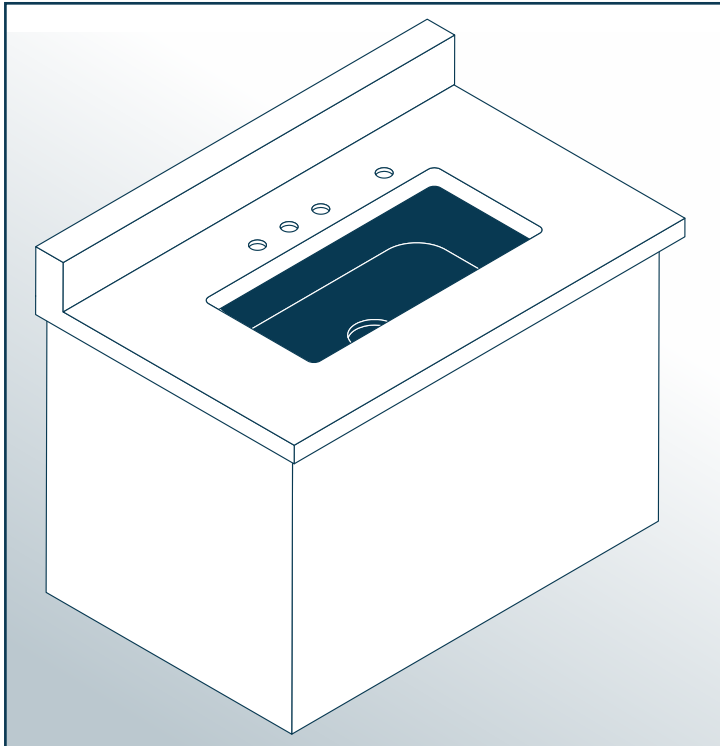
## Before you begin: \_\_\_\_\_



**WARNING:** Risk of personal. Edges are sharp. Wear gloves when handling the sink.

**CAUTION:** Risk of personal injury.

Fireclay sinks are very heavy. Get assistance lifting the sink.



## Tools and Materials: \_\_\_\_\_



**NOTE:** Special tools may be needed to install faucet mounting holes, or water lines; if not already done, please consult a professional to perform any additional steps to prep the space for the installation of these faucets.

# Installation:

## Versatile Installation Options:

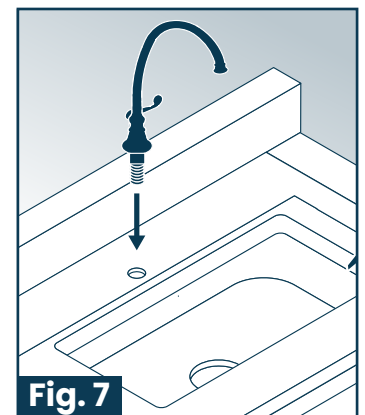
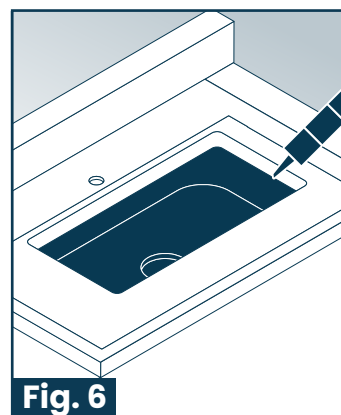
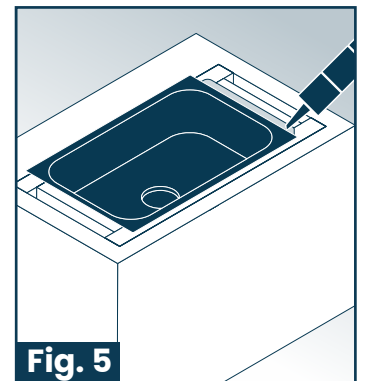
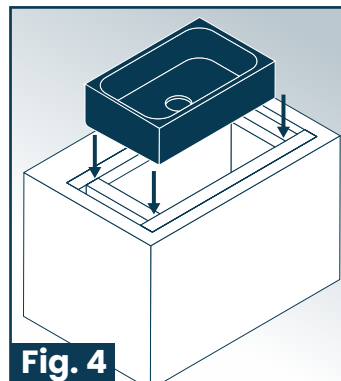
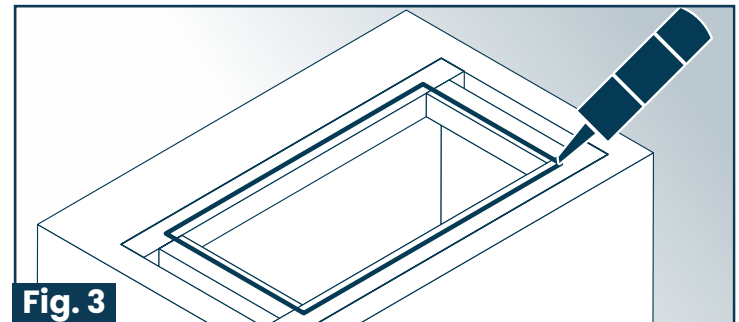
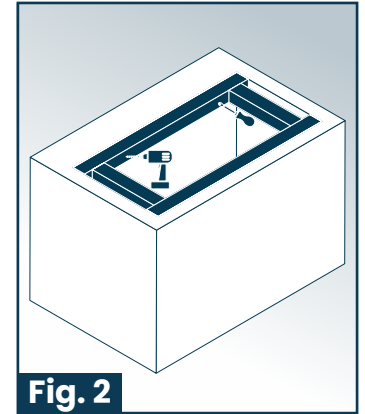
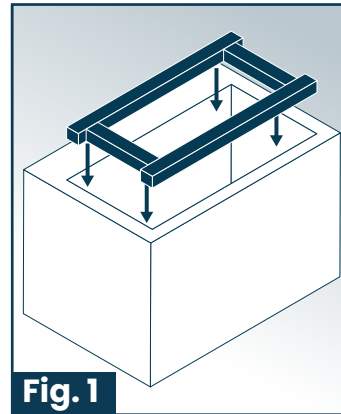
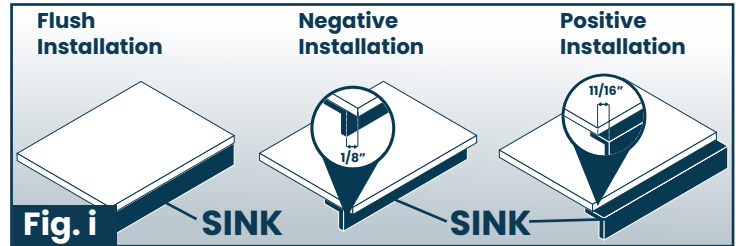
The Sotto and Baveno sinks can be installed in various ways, including Top Mount, Flush, Negative 1/8" Overhang, and Positive reveal of 11/16", providing a range of options to suit any kitchen design while ensuring functionality and durability (Fig i).

- Top Mount installation: The sinks can be installed directly on top of the countertop surface, creating a seamless appearance with no overhang.
- Flush installation: The sinks can be installed flush with the countertop surface, creating a smooth and even look with no overhang or reveal.
- Negative 1/8" Overhang installation: The sinks can be installed with a negative 1/8" overhang, providing a minimalistic and modern aesthetic, where the sink will sit inside the countertop surface by 1/8 inches.
- Positive reveal of 11/16" installation: The sinks can be installed with a positive reveal of 11/16", allowing for use with assorted accessories, such as a cutting board or colander, and creating a 11/16 inches overhang

**NOTE:** for visual illustrations of the different installation options for Bocchi Sotto or Baveno sinks, please refer to page 5.

## Undermount Installation:

1. Provide your countertop supplier with your sink and faucet model number when ordering your countertop.
2. Construct a wooden frame to support the sink. Measure your sink to determine the dimensions. (Fig. 1) (Fig. 2)
3. Clean the top and underside of the counter and the rim of the sink.
4. Apply sealant near the inside edge. (Fig. 3)
5. Set the sink into place. Level the sink with the top of the cabinet. (Fig. 4)
6. Apply silicone sealant, and wipe away any excess. Fill voids and allow to dry. (Fig. 5) (Fig. 6)



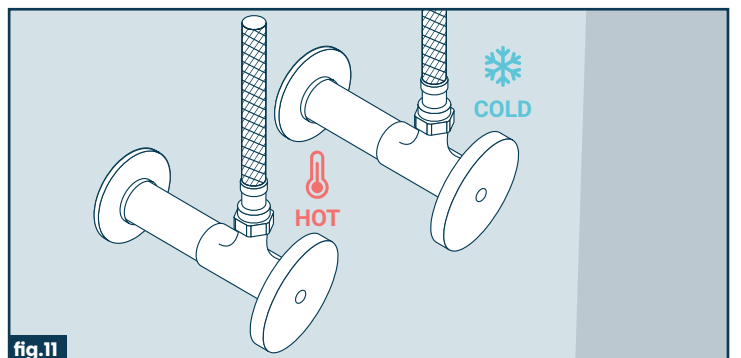
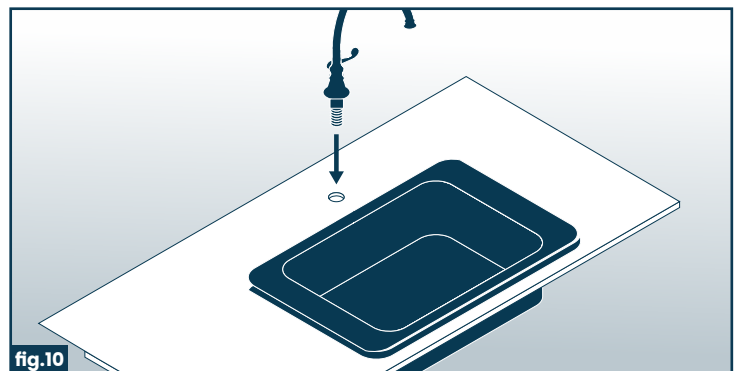
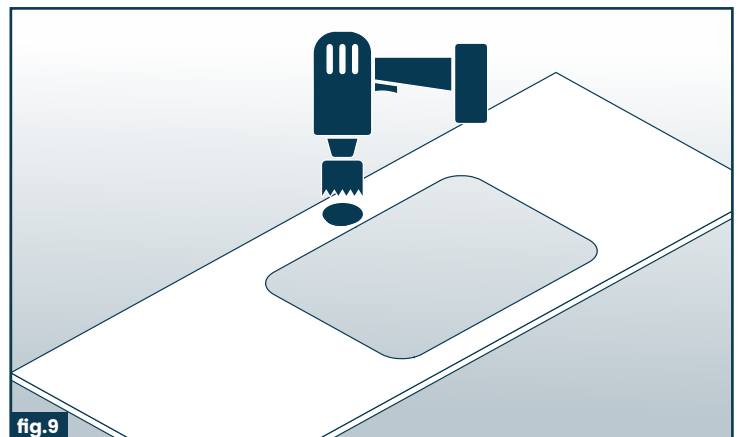
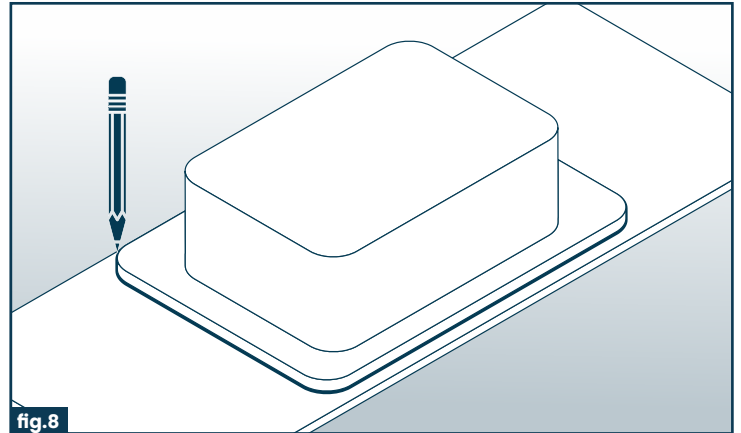
# Installation:

## Drop-in Installation:

1. With the template in the correct spot for installation, use painter's tape to secure it to the countertop.
2. Trace the outline of the template with your pen or pencil (Fig. 8).

**NOTE:** The template is not included with the sink, but can be found online.

3. Remove the template from the countertop, leaving the marked spot for the sink.
4. Add painter's tape around the outside edge of the marked line for the protection of the countertop before starting your cut.
5. Using the power drill, drill a starting hole for the saw in the area of the countertop to be cut out (Fig. 9).
6. Carefully cut out the needed section, using the proper saw type for your countertops.
7. Turn over the countertop and place the sink over the cut out.
8. Trace the outside of the sink with a pencil or marker.
9. Apply silicone sealant to the underside of the sink ledge, or to the outline of the hole on the countertop, where the sink and countertop will meet.
10. Set the sink in place by carefully dropping it into the countertop. Press firmly (Fig 10).
11. Wipe off any excess silicone that leaks around the edges of the sink onto the top of the countertop, after tightening the brackets.
12. Finish installing the strainer(s) and faucets according to their manufacturer's instructions if they weren't installed earlier.
13. Connect the drain and the faucet supply lines (Fig 11)
14. Run water and check all the connections for leaks.

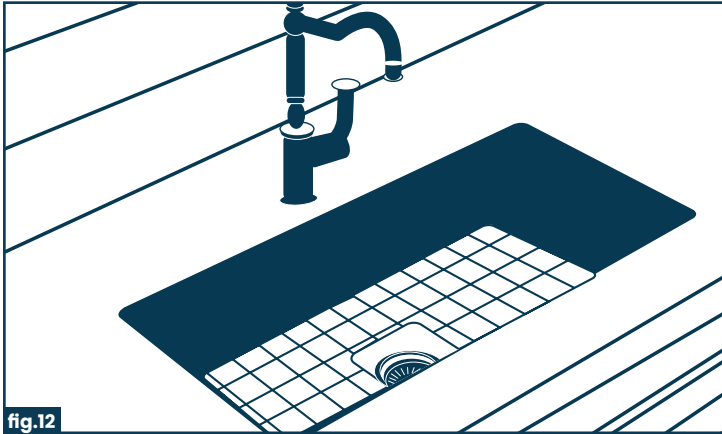


# VERSATILE INSTALLATION OPTIONS: CHOOSE YOUR PERFECT FIT!

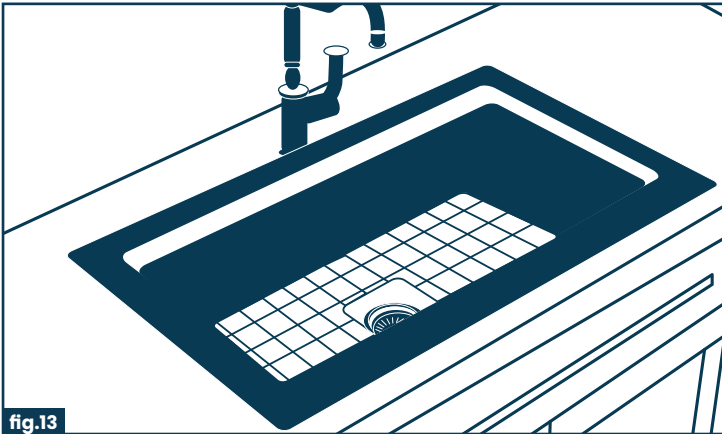
---

**Sotto:** \_\_\_\_\_

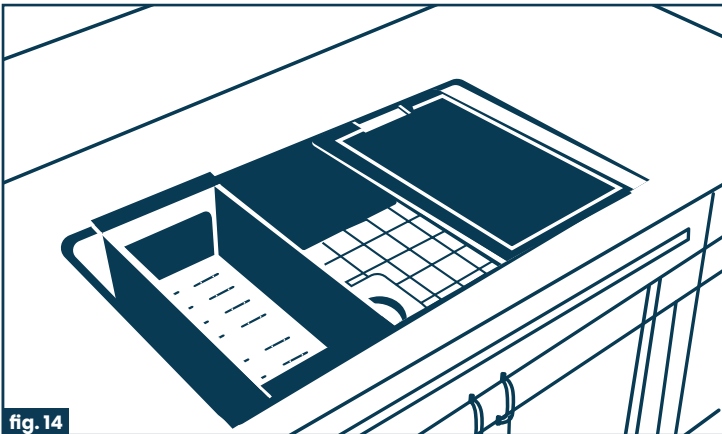
FLUSH AND 1/8"



DROP-IN

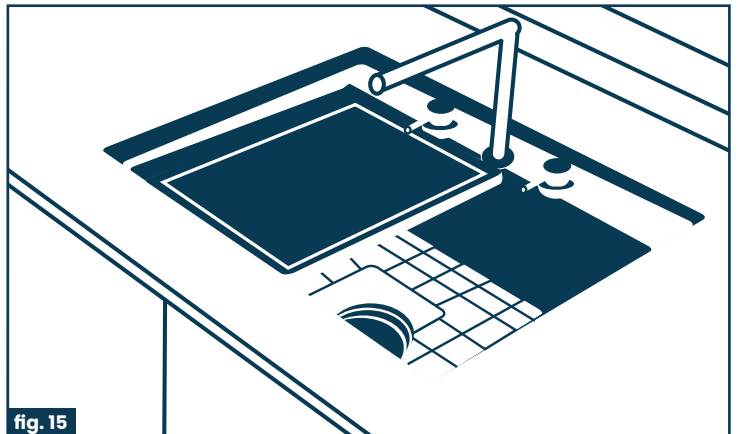


UNDERMOUNT WITH 11/16" REVEAL



**Baveno:** \_\_\_\_\_

UNDERMOUNT: 11/16" REVEAL



DROP-IN

