







Assembly Instruction for SIDE CHAIR CXY2368-02

PART LIST

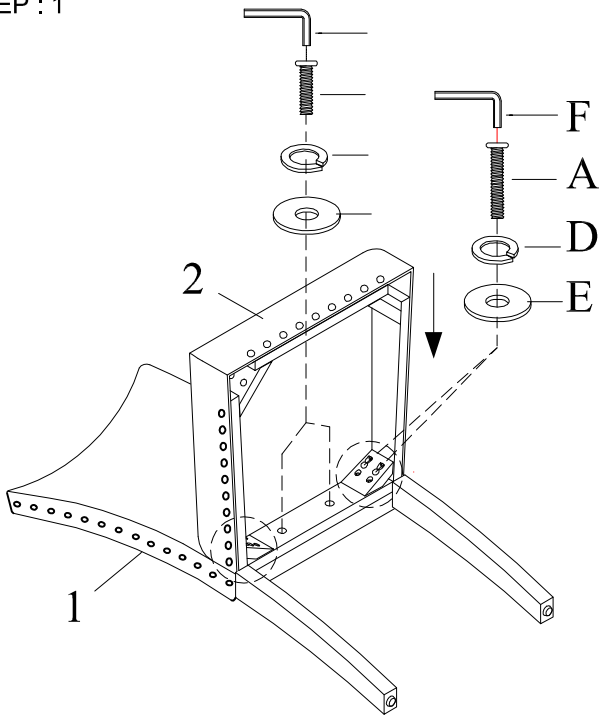
No.	PART DESC	Q'TY
1	CHAIR BACK	1
2	SEAT	1
3	FRONT LEG	2

NOTES : Do not fully tighten any bolts until last step.

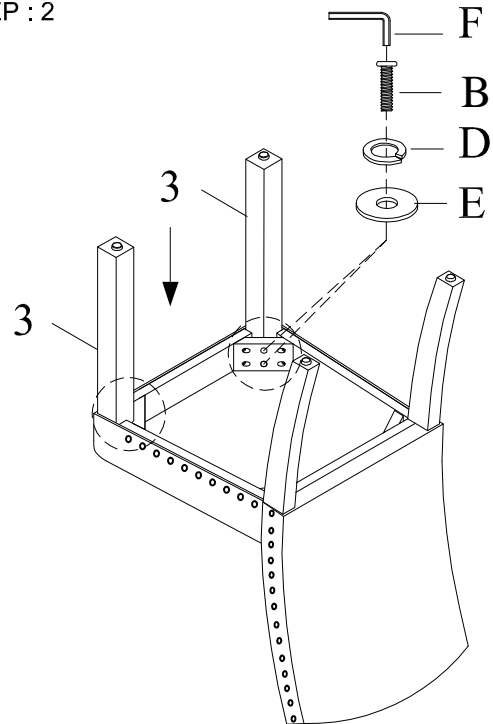
HARDWARE LIST

NO.	HARDWARE DESC	CODE.	Q'TY
A	 ALLEN BOLT (5/16"x 75mm)		4
B	 ALLEN BOLT (5/16"x 57mm)		4
C	 ALLEN BOLT (5/16"x 45mm)		1
D	 SPRING WASHER(5/16")		9
E	 FLAT WASHER (5/16"x 22mm)		9
F	 ALLEN KEY(M5)		1

STEP : 1



STEP : 2



COMPLETED

